

Table of Contents

What type of heater do you need?

Watlow's Lead Time Options	3	Immersion Heaters	163
Heater Selection Matrix	4	WATROD and FIREBAR Screw Plug Immersion Heaters.....	165
Heating Solids	4	Screw Plug with Control Assembly	235
Heating Liquids/Surface		WATROD and FIREBAR ANSI Flange Immersion Heaters	237
Heating and Immersion	5	WATROD and FIREBAR Flange Immersion Heaters	307
Heating Gases.....	6	Plate Flange Immersion Heaters.....	307
Heating Within a Vacuum.....	7	Square Flange Immersion Heaters	313
		Bayonet/Pipe Insert Immersion Heaters	316
Cartridge/Insertion Heaters	9	Over-the-Side Heaters	318
FIREROD® Cartridge Heaters	11	L and O Shaped Immersion Heaters	318
High-Temperature (HT) FIREROD Heaters	36	FIREROD Immersion Heaters.....	323
Metric FIREROD Cartridge Heaters	48		
MULTICELL™ Heaters.....	58		
		Circulation Heaters	327
Tubular Heaters	59	STARFLOW™ Heaters	329
WATROD™ Single/Double-Ended Heaters	61	WATROD and FIREBAR Circulation Heaters.....	331
High-Temperature Tubular Heaters	87	Booster Heaters	377
MULTICOIL™ Tubular Heaters.....	89	Engine Preheaters.....	379
Milled Groove Tubular Heaters.....	91		
FIREBAR® Single/Double-Ended Heaters	93	Fluid Delivery Heaters	383
FINBAR™ Single-Ended Heaters.....	112	FREEFLEX® Heaters	385
		Syringe Heaters.....	388
Flexible Heaters	115		
Flexible Shapes and Geometries	117	Air Heaters	389
Silicone Rubber Heaters	119	Duct Heaters	391
Line Heating	133	LDH SERIES and D SERIES	391
Polyimide Heaters	148	MDH SERIES	405
SERIES EHG®	152	Finned Heaters.....	409
SERIES EHG SL10	154	375 Finned Strip Heaters.....	409
SERIES EHG CL.....	158	FINBAR Single-Ended Heaters.....	415
		FIREROD Cartridge Heaters	416
		Enclosure Heaters	417
		WATROD Heaters	417
		Silicone Rubber Heaters	419

Table of Contents

High-Temperature Heaters 423

MULTICELL Heaters	425
High-Temperature FIREROD Heaters	431
High-Temperature Tubular Heaters	432
Ceramic Fiber Heaters	433

Specialty Heaters 457

ULTRAMIC® Advanced Ceramic Heaters.....	459
Thick Film Conduction Heaters.....	463
Coil/Cable Heaters	467

Strip/Clamp-On Heaters 475

Mineral Insulated (MI) Strip Heaters.....	477
375 High-Temperature Strip Heaters.....	481
FIREBAR Clamp-On Heaters	489
Thick Film Conduction Heaters.....	490

Band/Barrel Heaters 491

Mineral Insulated (MI) Band Heaters.....	493
--	-----

Nozzle Heaters 505

Mineral Insulated (MI) Nozzle Heaters	507
Pre-Coiled Cable Nozzle Heaters	509

Radiant Heaters 511

RAYMAX® Panel Heaters.....	513
MI Band and Strip Emitters.....	527

Thermostats and Accessories 529

ST10 and ST207	531
Bulb and Capillary.....	534
Protective Wells.....	539

Reference Data 541

Power Calculations	543
Equations	549
Wattage Requirements.....	551
Tubular Elements and Assembly Selection Guide.....	553

Agency Certifications, Recognition and Approvals 561

WATROD and FIREBAR Element and Assemblies	563
--	-----

Index 569

Product Category Index.....	571
Part Number Index.....	572

Terms and Conditions of Sale 575

Terms and Conditions of Sale.....	575
-----------------------------------	-----

Watlow's Lead Time Options

To remain competitive in our fast-paced world, you need a supplier that is committed to helping you succeed. Watlow® shows its commitment through multiple options designed to get you what you need quickly.

Watlow understands that your heating requirements vary from application to application. To help meet your individual needs, Watlow offers several options to ensure you receive your product when you need it.

RAPID SHIP and Manufacturing Lead Times

RAPID SHIP

Watlow's industry-leading RAPID SHIP offering is available throughout the catalog for various products. RAPID SHIP products are noted with "RS" and the RAPID SHIP logo. RAPID SHIP assures that your products will be manufactured and shipped from the factory the next business day.

Products not available as RAPID SHIP will be noted with an "M" which stands for Manufacturing lead times. In many instances Manufacturing lead times are just a few days longer than RAPID SHIP due to lower volumes, unique materials or other manufacturing complexities that must be considered when building your heaters. Contact your local sales representative to check the current lead times offered.

FAST TRACK™ for FIREROD® Heaters

FASTTrack

Watlow's FAST TRACK™ program for made-to-order FIREROD® cartridge heaters allows a range of FIRERODs to be shipped in two or five days.

With the FAST TRACK program, you can choose the size, voltage, wattage and termination from a predetermined set of options and choose when you want it – either a two- or five-day lead time.

For more information and applicable products, look for the FAST TRACK logo in the cartridge section of this catalog.

Heater Selection Matrix

Heating Solids

Heater Type	Application Description	Sheath Materials	Typical Max. Watt Densities		Max. Operating Temperatures		Catalog Page
			W/in ²	W/cm ²	°F	°C	
Cartridge/ Insertion Heaters	These heaters are inserted into a close fit hole (i.e. platens, dies and molds).	Alloy 800 Stainless steel	up to 400 up to 400	62.0 62.0	1400 1000	760 540	11
Tubular Heaters	These heaters are clamped to the object to be heated, usually exterior surfaces of tanks or other process vessels or fitted into milled grooves in a platen.	Flat: Alloy 800 Stainless steel Round: Alloy 800 Stainless steel	40 40 40 40	6.2 6.2 6.2 6.2	1400 1200 1600 1200	760 650 870 650	93 93 61 61
Flexible Heaters	These heaters are bonded or otherwise fastened to the part. Commonly used to heat irregular surfaces and shapes, or applications requiring distributed wattage or limited space.	Polyimide Silicone rubber	20 10	3.1 1.6	390 500	200 260	148 117
High-Temperature Heaters	MULTICELL™ heaters are loosely inserted into the platen hole for radiant heating. Can also be used in any static or dynamic non-contact application as a radiant heat source. Commonly used for extreme high temperature applications. Ceramic fiber heaters can be formed into an oversized chamber to surround the object being heated. Using radiant and convection heat transfer, ceramic fiber heaters are used in ovens and furnaces.	Alloy 600 Alloy 800 Molded ceramic fiber	60 60 30	9.3 9.3 4.6	2100 2100 2200	1150 1150 1205	425 433
Specialty Heaters	ULTRAMIC® advanced ceramic heaters are bonded or clamped to the object being heated. Thick film conduction heaters are clamped to the part being heated. Coil/Cable heaters can be formed to heat flat or curved surfaces, or wound around the object being heated. Typical applications include platen heating and plastic injection molding nozzles.	Aluminum nitride Dielectric glass on 430 stainless steel substrate Stainless steel or Alloy 600	1000 75 30	155 11.6 4.6	1112 1022 1200	600 550 650	459 463 467
Strip/ Clamp-On Heaters	These heaters are bolted or clamped to a surface (i.e. dies, molds, ovens). Often used for freeze and moisture protection.	Aluminized steel with refractory insulation Stainless steel with mineral insulation	100 140	15.5 21.7	1100 1400	595 760	481 477
Band/ Barrel Heaters	These heaters are clamped to cylindrical surfaces (i.e. extrusion barrels and nozzles).	Stainless steel with mineral insulation	100	15.5	1400	760	493
Radiant Heaters	These heaters are used in any static or dynamic, non-contact application where conduction or convection heating is not practical. Commonly used in laminating processes, thermoforming and paint drying.	Molded ceramic fiber Stainless steel emitter strip	20 30	3 4.6	2000 2200	1095 1200	518 514

Heater Selection Matrix

Heating Liquids/Surface Heating and Immersion

Heater Type	Application Description	Sheath Materials	Typical Max. Watt Densities		Max. Operating Temperatures		Catalog Page
			W/in ²	W/cm ²	°F	°C	
Cartridge/Insertion Heaters	These are used as an immersion heater placed either directly in the liquid, or in a protective well (recommended for immersion in water or 90 plus percent water soluble solutions).	Alloy 800	Up to 300 in water	46.5	212 in water	100	11
Tubular Heaters	These heaters are immersed directly in the liquid being heated. Most commonly used when high kilowatts are required. Multiple style mounting adaptors, such as flanges and NPT fittings, provide excellent pressure boundaries.	Flat: Alloy 800	60	9.3	1400	760	93
		Stainless steel	60	9.3	1200	650	93
		Round: Alloy 800	60	9.3	350	180	61
		Stainless steel	60	9.3	1600	870	61
		Steel	60	9.3	1200	650	61
		Steel	60	9.3	750	400	61
Flexible Heaters	These heaters are applied to the surface of a pipe vessel containing a liquid (well suited for curved surfaces and irregular shaped objects; frequently used for freeze protection).	Polyimide	20	3.1	390	200	148
		Silicone rubber	10	1.6	500	260	117
Immersion Heaters	FIREBAR® heaters have multiple elements mounted in a flange or screw plug fitting. They are immersed directly in a fluid or in a protective well.	Alloy 800	Up to 100	15.5	212 in water	100	165
	WATROD™ heaters have multiple elements mounted in a flange or screw plug fitting. These are immersed directly in a fluid or in a protective well.	Alloy 800 316 stainless steel Steel	Up to 100	15.5	212 in water 1400 in air	100 760	165
Circulation Heaters	Tubular heaters have multiple elements mounted in a screw plug or ANSI flange fitting and placed in a vessel through which fluid is passed. FIREBAR or WATROD elements may be utilized.	Round: Alloy 800	60	9.3	1600	870	331
		Stainless steel	60	9.3	350	180	
		Steel	60	9.3	1200	650	
		Steel	60	9.3	750	400	
Fluid Delivery Heaters	FREEFLEX® heaters have polymeric heated tubing, used to maintain temperature in medical applications where heated flexible tubing is required.	Polyimide	72 W/ft	22 W/m	212	100	385
	Syringe heaters are formed to fit a cylindrical part. They are often used in medical applications for heating contrast media and often incorporate a sensor and on-board system.	Lexan Silicone rubber	2 3	0.31 0.47	185 428	85 220	388
High-Temperature Heaters	Ceramic fiber assembled heaters can be used in a chamber surrounding the tank, vessel, crucible or bath. Radiant and convection heat transfer heat the load.	Molded ceramic fiber	30	4.6	2200	1205	433
Specialty Heaters	Coil/Cable heaters that are wrapped or wound around pipe or vessel containing a liquid can be used, or used directly as an immersion heater. They are often used in applications with space limitations (i.e. photo processing equipment, scientific instruments and heat tracing).	Stainless steel or Alloy 600	30	4.6	1200	650	467
Strip/Clamp-On Heaters	These heaters are bolted or clamped to the wall of a tank or vessel. They are used in food warming and other applications offering a flat mounting surface.	Aluminized steel with refractory insulation	100	15.5	1100	595	481
		Stainless steel with mineral insulation	140	21.7	1400	760	477
Band/Barrel Heaters	These heaters are clamped to cylindrical surfaces and are most commonly used to heat liquids flowing through pipes as freeze protection.	Stainless steel with mineral insulation	100	15.5	1400	760	493

Heater Selection Matrix

Heating Gases

Heater Type	Application Description	Sheath Materials	Typical Max. Watt Densities		Max. Operating Temperatures		Catalog Page
			W/in ²	W/cm ²	°F	°C	
Cartridge/ Insertion Heaters	These heaters are mounted in pipes or vessels through which gases pass. They can be placed in protection tubes, making access and wiring easier.	Alloy 800 or stainless steel	100	15.5	Contact Watlow		11
Tubular Heaters	These heaters have multiple elements mounted in an array and placed in a duct or vessel through which gases pass. Flat tubular elements can be modified with the addition of fins to increase surface area.	Flat: Alloy 800 Stainless steel Round: Alloy 800 Alloy 600	30 30 30 30	4.6 4.6 4.6 4.6	1400 1200 1600 1800	760 650 870 980	237
Flexible Heaters	These heaters are applied to the surface of a pipe or vessel containing gases. They are well suited for curved surfaces and irregular shaped objects. Excellent for use in enclosures.	Polyimide Silicone rubber	5 5	0.8 0.8	390 500	200 260	148 117
Circulation Heaters	Tubular heaters have multiple elements mounted in a screw plug or ANSI flange fitting and placed in a vessel through which fluid is passed. FIREBAR or WATROD elements may be utilized.	Flat: Alloy 800 304 stainless steel Round: Alloy 800 Alloy 600	30 30 30 30	4.6 4.6 4.6 4.6	1400 1200 1600 1800	760 650 870 980	331
Air Heaters	Duct heaters have multiple elements placed in a duct through which gases pass. Enclosure heaters prevent freezing and condensation in electrical and mechanical housings. Finned FIREBAR heaters have aluminized steel fins attached to a FIREBAR element. They are used for forced air heating and radiant heating in drivers, ovens and duct work. Finned Strip have aluminized steel fins attached to a 375 heater. They are used for air heating, freeze protection and load bank resistors.	Alloy 800 Stainless steel Aluminum Stainless steel Aluminized steel	20 to 30 15 5 Up to 50 30	3 to 4.6 2.3 0.8 7.7 4.7	1400 1200 150 1200 1100	760 650 66 650 595	391 417 419 112 409
High-Temperature Heaters	MULTICELL heaters have multiple elements placed in a duct or vessel through which gases pass. Designs are also available to heat a pass tube externally to isolate gas from the element. Excellent for use in high temperature/high pressure applications. Ceramic fiber heaters are used to construct chambers and furnaces through which gases are passed. Heaters function as high-temperature radiant heaters surrounding transfer pipes or other special vessels.	Alloy 600 Alloy 800 Molded ceramic fiber	60 60 30	9.3 9.3 4.6	2100 2100 2200	1150 1150 1205	425 433
Specialty Heaters	Coil/Cable heaters are situated or wound into coils, which can be inserted into a pipe or vessel to heat flowing air or gases. Cable heaters readily lend themselves to applications where space is restricted.	Stainless steel or Alloy 600	30	4.6	1200	650	467

Heater Selection Matrix

Heating Within a Vacuum

Heater Type	Application Description	Sheath Materials	Typical Max. Watt Densities		Max. Operating Temperatures		Catalog Page
			W/in ²	W/cm ²	°F	°C	
Cartridge/ Insertion Heaters	These heaters are mounted in a vacuum vessel for radiant energy transfer.	Alloy 800 Stainless steel	up to 35 up to 35	5.4 5.4	1400 1000	760 538	11
Tubular Heaters	These heaters are mounted in a vacuum vessel for radiant energy transfer.	Flat: Alloy 800 Stainless steel Round: Alloy 800 Alloy 600	30 30 30 30	4.6 4.6 4.6 4.6	1400 1200 1600 1800	760 650 870 980	93 93 61 61
Flexible Heaters	These heaters are applied to the exterior surface of a pipe or vessel. They are well suited for curved surfaces and irregular shaped objects. Note: Polyimide is the only flexible heater type recommended for use in the vacuum.	Polyimide	7	1.1	390	200	148
High-Temperature Heaters	MULTICELL heaters are mounted in a vacuum vessel for radiant energy transfer.	Alloy 600 Alloy 800	60 60	9.3 9.3	2250 2250	1230 1230	425
	Ceramic fiber heaters surround the exterior surface of a vacuum vessel, using radiant energy for heat transfer.	Molded ceramic fiber	30	4.6	2200	1205	433
Specialty Heaters	ULTRAMIC advanced ceramic heaters are bonded or clamped to the object being heated.	Aluminum nitride	1000	155	1112	600	459
	Coil/Cable heaters are wound into a coil or sinuated pattern and mounted in a vacuum vessel for radiant energy transfer.	Alloy 600 or Stainless steel	20	3.1	1200	650	467
Band/Barrel Heaters	These heaters are applied to exterior surface of a pipe or vessel.	Stainless steel with mineral insulation	100	15.5	1400	760	493



Cartridge/Insertion Heaters

Cartridge/Insertion Heaters

Cartridge/Insertion Heaters	Sheath Materials	Max. Operating Temperatures		Typical Max. Watt Densities		Page
		°F	°C	W/in ²	W/cm ²	
FIREROD®	Alloy 800	1400	760	400	62.0	11
	Stainless steel	1000	538	400	62.0	
High-Temperature FIREROD	Alloy 800	1800	982	100	15.5	36
Metric FIREROD	Alloy 800	1400	760	330	50.0	48
MULTICELL™	Alloy 800	2050	1120	30	4.6	58





Cartridge/Insertion Heaters

FIREROD® Cartridge Heaters

The Watlow® FIREROD® cartridge heater incorporates engineering excellence and is supported by almost 60 years of solid industry performance across a broad range of simple and complex applications. As the premier choice in swaged cartridge heating, thousands of industrial manufacturers continue to choose Watlow as their trusted thermal partner and certified cartridge heater supplier.

Built using premium materials and tight manufacturing controls, the FIREROD heater provides superior heat transfer, uniform temperatures, resistance to oxidation and corrosion and a long life even at high temperatures. Every system component that leaves our manufacturing facilities meets our strict quality assurance specifications, in addition to those set forth by leading standards and regulating industries.

To meet our customer's individual needs, there are many delivery options available for FIREROD heaters.

Performance Capabilities

- Part temperatures up to 1400°F (760°C) on alloy 800 sheath
- Watt densities up to 400 W/in² (62 W/cm²)
- Maximum voltage up to 480V

Features and Benefits

Nickel-chromium resistance wire

- Ensures even and efficient distribution of heat to the sheath

Conductor pins

- Provide a metallurgical bond to the resistance wire
- Ensure a trouble-free electrical connection

Magnesium oxide insulation of specific grain and purity

- Results in high dielectric strength and contributes to faster heat-up

Alloy 800 sheath

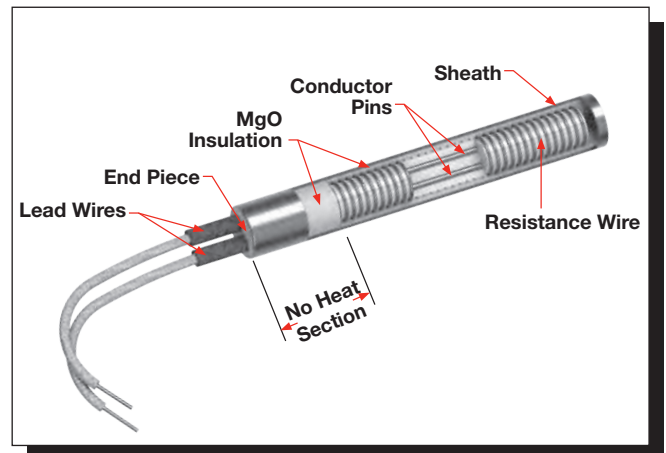
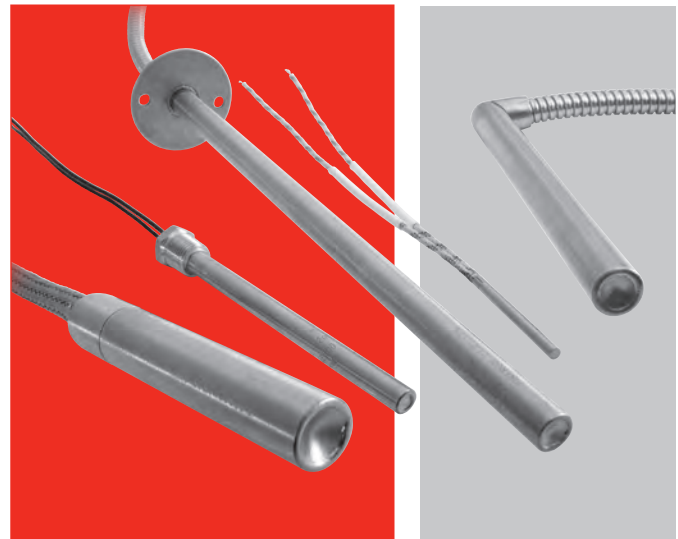
- Resists oxidation and corrosion from heat, many chemicals and atmospheres

Minimal spacing between the element wire and sheath

- Results in lower internal temperature
- Accommodates a design with fewer or smaller heaters operating at higher watt densities

International Organization for Standardization (ISO) 9001 certified

- Provides confidence that quality and reliability expectations are met



UL® and CSA approved flexible stranded wires

- Lead insulation rated to temperatures up to 480°F (250°C)

Patented lead adapter (LA) method

- Allows same day shipment on more than 150,000 configurations of stock FIREROD heaters and lead combinations

Typical Applications

- Semiconductor chamber heating
- Semiconductor wire and die bonding
- Freeze protection and deicing of equipment in cold climates or applications
- Humidity control
- Patient comfort heating used in medical devices
- Mold die and platen heating
- Seal bars used in packaging equipment
- Test sample heating in gas chromatography equipment

Cartridge/Insertion Heaters

FIREROD Cartridge Heaters

Applications and Technical Data

Tolerances

Diameter

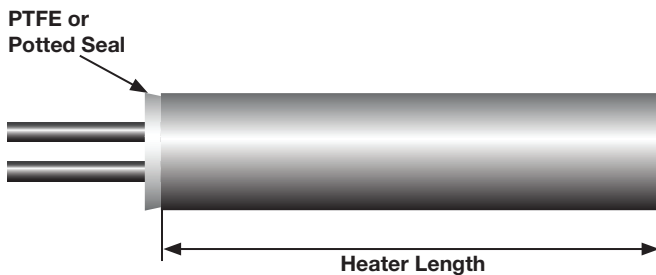
- 1 in. (25 mm) units: ± 0.003 in. (± 0.08 mm)
- All other units: ± 0.002 in. (± 0.05 mm)

Sheath Length

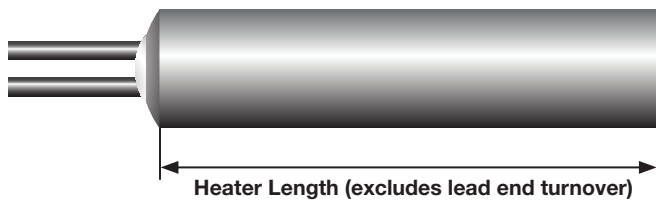
- All units up to 4 $\frac{1}{2}$ in. (114 mm) long: $\pm \frac{3}{32}$ in. (± 2.4 mm)
- $\frac{1}{8}$ in. diameter units over 4 $\frac{1}{2}$ in. (114 mm) long: $\pm 3\%$
- All other units over 4 $\frac{1}{2}$ in. (114 mm) long: $\pm 2\%$

Length Measurements

Pin Style and Potted FIRERODs



PTFE - Swaged-in Leads FIRERODs



Wattage

- $\frac{1}{8}$ in. units: +10%, -15%
- All other units: +5%, -10%

Resistance

- $\frac{1}{8}$ in. units: +15%, -10%
- All other units: +10%, -5%

Resistance changes with temperature. There are three circumstances under which resistance can be measured:

1. Room temperature (before use): nominal ohms are 90% of Ohm's law calculation.
2. Room temperature (after use): nominal ohms are 95% of Ohm's law calculation.
3. At temperature (during use): depending on application nominal ohms are approximately 100% of Ohm's law.

Note: Resistance and wattage values are approximate depending on application conditions.

Component Recognition File Numbers

- UL[®] component rated to 240VAC (file number E52951)
- CSA component rated to 240VAC (file number LR7392)
- VDE component rated to 240VAC (file number 10062-4911-0006)

Note: Not all options or combinations of options are covered. UL[®], CSA, VDE and CE marking is available upon request.

Cartridge/Insertion Heaters

FIREROD Cartridge Heaters

Applications and Technical Data

Dimensional Data

This table shows minimum/maximum sheath lengths for available FIREROD diameters.

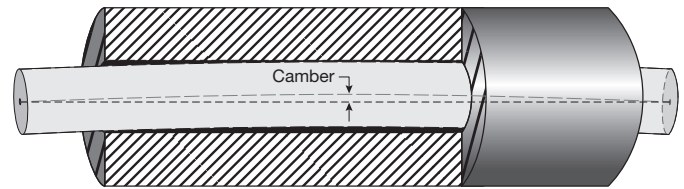
FIREROD Diameter			Length			
Nominal in.	Actual in.	(mm)	Min. in.	(mm)	Max. in.	(mm)
1/8	0.122	(3.1)	7/8	(22.2)	12	(305)
1/4	0.246	(6.3)	7/8	(22.2)	36	(915)
3/8	0.371	(9.4)	7/8	(22.2)	48	(1220)
1/2	0.496	(12.6)	7/8	(22.2)	60	(1520)
5/8	0.621	(15.8)	1	(25.0)	72	(1830)
3/4	0.746	(18.9)	1	(25.0)	72	(1830)
1	0.996	(25.3)	1 1/4	(32.0)	72	(1830)

Indicates **recommended** maximum sheath length; however, longer lengths may be available.

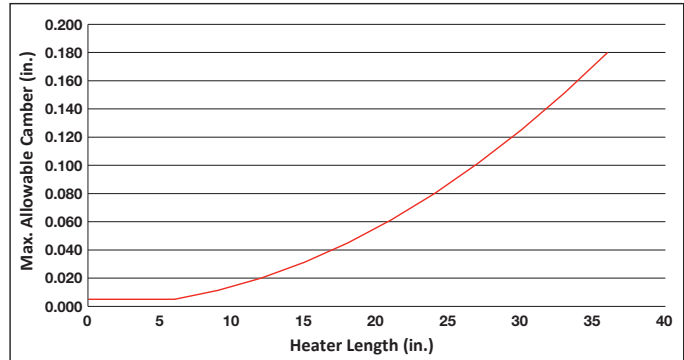
Camber

Camber is defined as the maximum deviation of the heater's centerline from straight. FIREROD camber within allowable tolerances is verified via passage through a cylindrical gauge of specified length and diameter. Normally, slight camber does not present a problem since the heater will flex enough to fit into a straight, close-fit hole.

Camber Measurement



Allowable Camber Versus Length



Max. camber = 0.020 in. x (length in feet)² or 0.005 in., whichever is greater.

Cartridge/Insertion Heaters

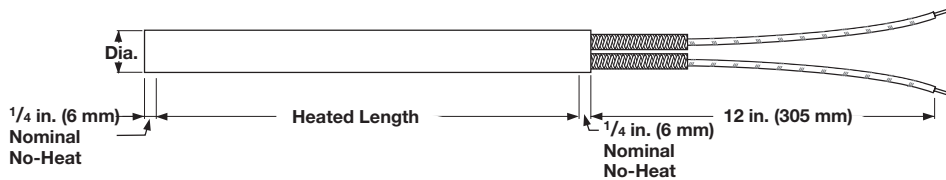
FIREROD Cartridge Heaters

Applications and Technical Data (Continued)

Electrical Data

The table below will assist you in selecting the correct FIREROD heater for your application, according to available voltage, amperage and wattage.

Please note, some combinations of minimum and maximum wattages are not available on the same heater diameter. If your application exceeds the limitations shown, contact your Watlow representative.



FIREROD Diameter in.	Volts Max.	Ampere Max. ①	Min. Watts @ 120V ③ Heater Length			Max. Watts				
			1 in. (25 mm)	1 1/2 in. (38 mm)	2 in. (50 mm)	120V 1-phase	240V 1-phase	480V 1-phase	240V 3-phase	480V 3-phase
1/8	240	3.1	—	8	5	360	720	—	—	—
1/4	240	4.4②	100	55	40	525	1050	—	—	—
3/8	240	6.7	65	35	25	800	1600	—	—	—
1/2	240	9.7	40	25	20	1160	2320	—	—	—
5/8	480	23.0	35	20	15	2760	5520	11,000	⑤	⑤
3/4	480	23.0	30	15	10	2760④	5520	11,000	9550	19,100
1⑦	480	23.0	—	15	10	2760④	5520	11,000	9550④	19,100④

Number Of Circuits ⑥		
Diameter in.	1-phase	3-phase
3/4	3	1
1	5	2

- ① Determined by the current carrying capacity of internal parts and lead wire. Alternate material may be available.
- ② For 1/4 in. (6 mm) units with thermocouple maximum amperage is 3.1A.
- ③ Determined by the limitation of space for resistance winding. For minimum wattage of 240VAC multiply value by four.
- ④ Higher wattages are available using more than one set of power leads. Multiply the wattage from the table by the applicable factor.
- ⑤ Contact your Watlow representative for data.
- ⑥ On 3/4 in. (19 mm) diameter units, either three single-phase circuits or one three-phase delta or wye circuit is available. On 1 in. (25 mm) diameter units, either five single-phase or two three-phase delta circuits are available.
- ⑦ A minimum charge per line item applies.

Cartridge/Insertion Heaters

FIREROD Cartridge Heaters

Maximum Allowable Watt Density

The following four charts detail maximum allowable watt densities for applications that use metal, steam, air or gas heating. Please review the charts and applicable data to determine the correct watt density for your application.

Correction Factors

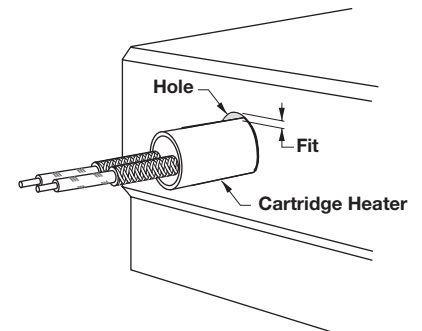
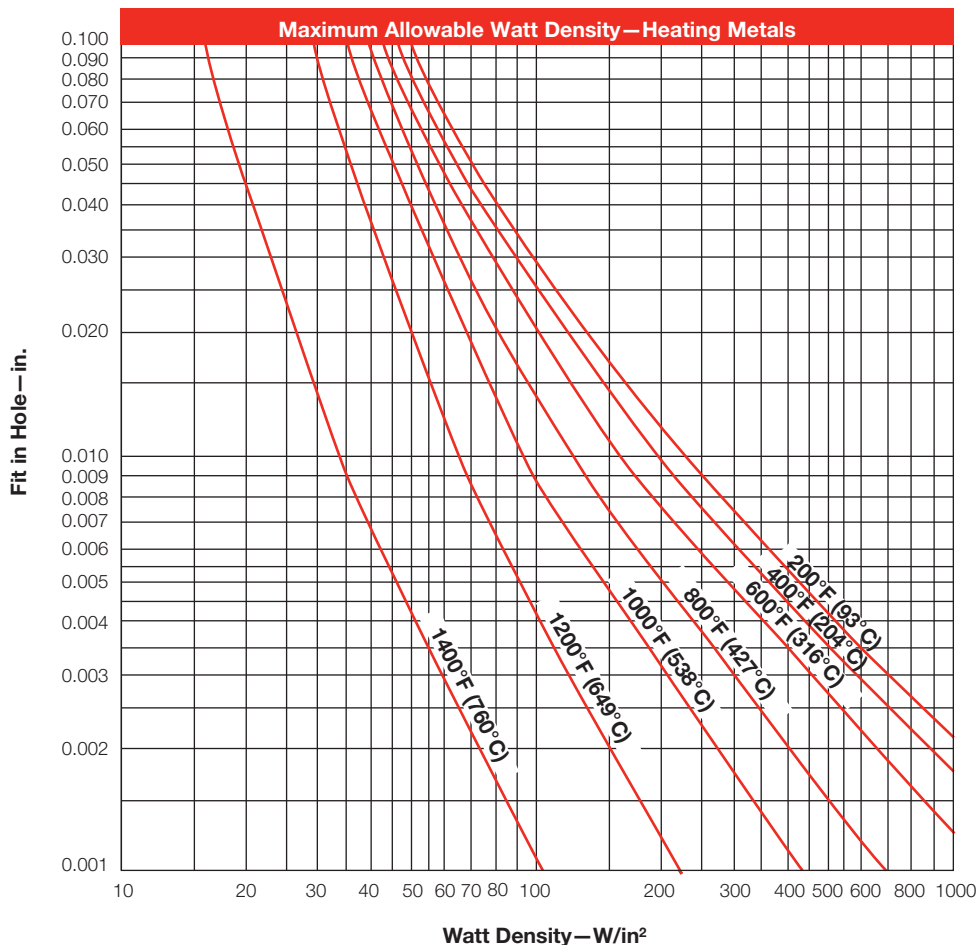
These graphs depict FIRERODs used in steel parts, therefore, for stainless steel, aluminum or brass, refer to applicable correction factors:

1. For stainless steel, enter the graph with a fit 0.0015 in. (0.04 mm) larger than actual fit.
2. For aluminum and brass, enter the graph with a temperature 100°F (38°C) above actual temperature.

Heating Metals

The *Maximum Watt Density— Heating Metals* chart will display the maximum hole fit or recommended watt density of the heater. Enter the chart with either known variable, part-fit-in-hole dimension or W/in². Then, find the application temperature by reading up or over on the chart.

If the fit of the heater in the hole dimension is not known, it can be easily determined. Subtract the minimum diameter of the FIREROD (nominal diameter minus tolerance) from the maximum hole diameter. For example, the hole fit is 0.006 in. (0.15 mm) for a hole diameter of 0.500 in. (13 mm) minus a heater diameter of 0.496 in. (12.6 mm) ±0.002 in. (0.05 mm). For FIREROD heaters in square holes or grooves, contact your Watlow representative for the fit in hole dimension.



Fit in hole = maximum hole I.D. minus minimum heater O.D.

Cartridge/Insertion Heaters

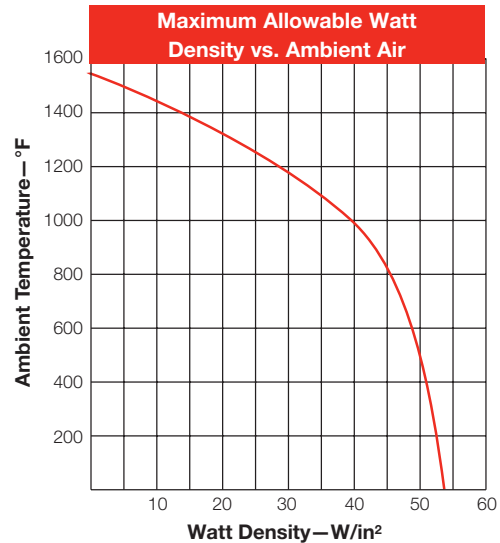
FIREROD Cartridge Heaters

Maximum Allowable Watt Density (Continued)

Watt Density vs. Ambient Air Temperature

The *Watt Density vs. Ambient Air Temperature* graph shows the maximum allowable watt density when one FIREROD is operated in air or similar gas.

For FIRERODs grouped in a single row, with no less than one diameter between elements, multiply value from the graph by 0.95. When a reflector is placed behind the heaters, multiply the maximum allowable watt density value from the graph by 0.85.

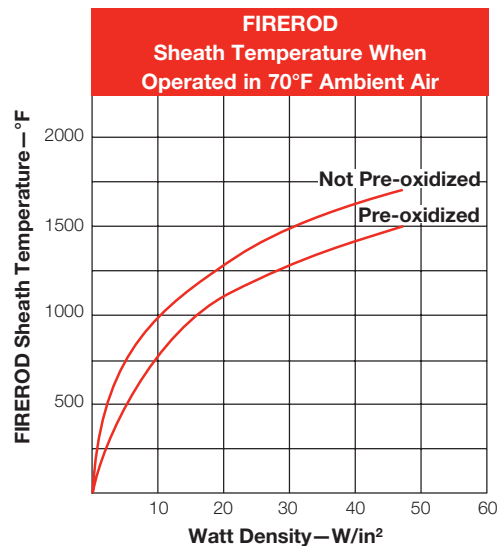


Sheath Temperature in Ambient Air

The *Sheath Temperature in Ambient Air* graph indicates the watt density required to bring a pre-oxidized FIREROD to a given sheath temperature when operated in 70°F (21°C) ambient air.

At 44 W/in² (6.8 W/cm²), the sheath temperature is 1450°F (784°C). At this temperature, a one-year life is expected if cycling is not too frequent.

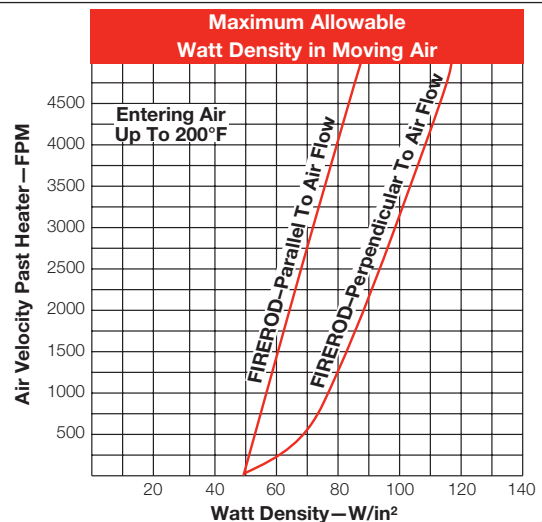
Higher temperatures result in reduced heater life.



Watt Density in Moving Air

The *Watt Density in Moving Air* graph shows the maximum allowable watt density of a FIREROD in moving air.

The air movement is expressed in feet per minute (FPM). If the air flow is known in cubic feet per minute (CFM), divide the CFM by the net-free area around the heater (ft²). The net-free area is the total area of the enclosure minus the area occupied by the heater.



Cartridge/Insertion Heaters

FIREROD Cartridge Heaters

Lead and Diameter Information

Standard Lead Specifications

Heater Diameter in. (mm)	Max. Voltage	Standard Lead Gauge Fiberglass	Size Tolerance Fiberglass	Standard Lead Gauge PTFE	Size Tolerance PTFE	Stainless Steel Hose I.D.	Stainless Steel Braid I.D.
1/8 (3)	300	24	0.044 - 0.058	24 solid	0.036 - 0.044	1/8	1/8
1/4 (6)	300	22	0.066 - 0.078	22	0.050 - 0.058	5/32	1/8
3/8 (10)	300	22	0.076 - 0.088	20	0.056 - 0.064	7/32	3/16
1/2 (13)	300	18	0.089 - 0.101	20	0.074 - 0.084	9/32	1/4
5/8 (16)	600	18	0.108 - 0.124	18	0.097 - 0.113	7/16	3/8
3/4 (19)	600	18	0.108 - 0.124	14	0.097 - 0.113	7/16	3/8
1 (25)①	600	18	0.095 - 0.109	14	0.087 - 0.101	N/A	N/A

Lead length tolerances:

1 to 36 in. (25 to 914 mm) = -1/2 in. (13 mm), +1 1/2 in. (38 mm)

> 36 to 72 in. (914 to 1829 mm) = -1, +3 in. (-25 + 76 mm) ①

Stainless steel hose and braid tolerances: same as lead wire.

Units constructed with 480V require MGT or PTFE leads. If connecting heaters in series above 300V, MGT leads are also required.

Ratings: GGS, 300V, 482°F (250°C)

MGT, 600V, 842°F (450°C)

PTFE, 600V, 392°F (200°C)

Silicone rubber, 600V, 302°F (150°C)

① A minimum charge per line item applies.

Additional Lead Specifications

Lead Gauge	Nickel Ampacity	N.C.C. Ampacity	SPC/NPC
26	2.5	4.2	6.0
24 stranded	3.1	5.2	7.5
24 solid	3.1	5.2	7.5
22	4.4	7.2	10.5
20	N/A	N/A	14.0
18	7.6	12.6	18.0
16	9.7	16.1	23.0
14	12.5	21.0	30.0
12	16.8	28.0	40.0
10	23.0	38.5	55.0

Cartridge/Insertion Heaters

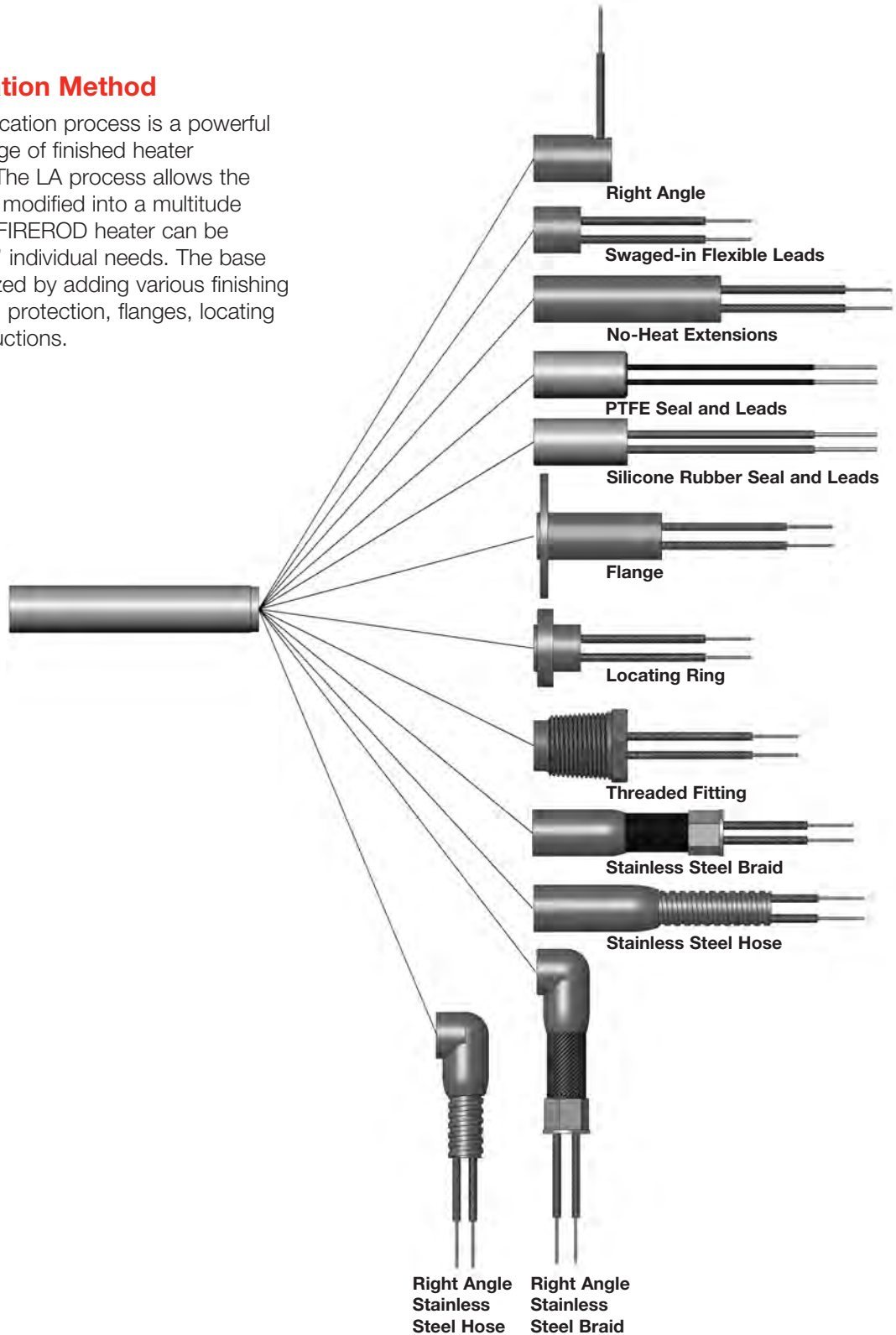
FIREROD Cartridge Heaters

Lead Adapter (LA)

Options

Patented LA Modification Method

The lead adapter (LA) modification process is a powerful tool for providing a wide range of finished heater configurations very quickly. The LA process allows the base FIREROD heater to be modified into a multitude of configurations. The base FIREROD heater can be selected to meet customers' individual needs. The base heater can then be customized by adding various finishing options like lead length, lead protection, flanges, locating rings and right-angle constructions.



Cartridge/Insertion Heaters

FIREROD Cartridge Heaters

Lead Adapter (LA)

Options



Two- or Five-Day Lead Times

Watlow's FAST TRACK program allows made-to-order FIREROD cartridge heaters to be shipped in two or five days. You can design a FIREROD to meet your unique applications. You can choose the size, voltage, wattage, termination options and your preferred lead time. To take advantage of this program contact your Watlow representative.

Options	1/4 Inch	3/8 Inch	1/2 Inch	5/8 Inch	3/4 Inch
Swaged-in leads	✓	✓	✓	✓	✓
PTFE seal and leads		✓	✓	✓	✓
Right angle leads	✓	✓	✓	✓	✓
Stainless steel hose	✓	✓	✓	✓	✓
Right angle hose		✓	✓	✓	✓
Stainless steel braid	✓	✓	✓	✓	✓
Right angle braid		✓	✓	✓	✓
Straight hose with PTFE seal and leads		✓	✓	✓	✓
Right angle hose with PTFE seal and leads		✓	✓	✓	✓
Straight braid with PTFE seal and leads		✓	✓	✓	✓
Right angle braid with PTFE seal and leads		✓	✓	✓	✓
Right angle PTFE seal and leads		✓	✓	✓	✓
Ground lead	✓	✓	✓	✓	✓
FS flange	✓	✓	✓		
FM flange	✓	✓	✓	✓	✓
FL flange				✓	✓
Single stainless steel fitting	✓	✓	✓	✓	✓
Additional lead end no-heat length	✓	✓	✓	✓	✓

Note: Maximum heater length is 24 inches.

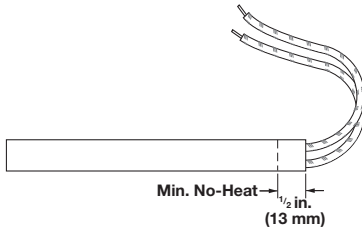
Cartridge/Insertion Heaters

FIREROD Cartridge Heaters

LA

Termination Options

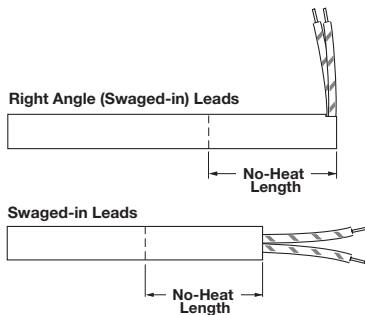
LA Swaged-in Flexible Leads



LA swaged-in flexible leads are used in applications where a high degree of flexing exists or the leads must be bent sharply adjacent to the heater without exposing or breaking the conductor. The stranded wire leads are connected internally and exit through the lead end. The overall length of the heater is extended by 1/4 in. (6 mm). To order, specify **length adder code E** bringing the total lead end no-heat to 1/2 in. (13 mm).

This LA option is not available on 1/8 in. (3 mm) diameter FIRERODs. On 1/8 in. (3 mm) diameter FIRERODs, leads are connected externally using a solid conductor lead wire. If stranded wire is desired on 1/8 in. (3 mm) diameter units, contact your Watlow representative.

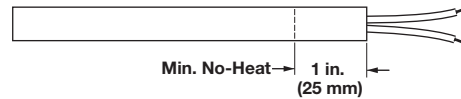
No-Heat Extensions



No-heat extensions are recommended in applications where leads may be exposed to excessive heat and require a cooler lead end. They are also used when heat is not required along the entire length of the FIREROD.

No-heat extensions are available for most LA options in diameters of 3/8, 1/2, 5/8 and 3/4 in. (10, 13, 16 and 19 mm). These extensions are designed to provide a total no-heat length of 1, 1 1/2, 2 or 2 1/2 in. (25, 38, 51 or 65 mm) at the lead end of FIRERODs only. Contact your Watlow representative for available LA options.

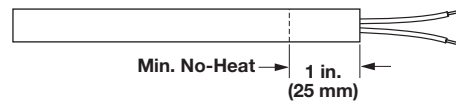
LA PTFE Seal and Leads



The LA PTFE seal and leads protect the heater against moisture/contamination from lubricating oil, cleaning solvents, plastic material or fumes and organic tapes. This seal is effective to 392°F (200°C) under continuous operation.

Please note when ordering this option, that a minimum no-heat section is required to allow for construction. Additional no-heat may be required to keep the seal below effective temperatures. The minimum lead end no-heat required is 1 in. (25 mm). The LA cap adds 3/4 in. (19 mm) to the overall length of the heater. To order, specify **option code T**.

LA Silicone Rubber Seal and Leads



The LA silicone rubber seal and leads protect the heater against moisture and contamination from lubricating oil, cleaning solvents, plastic material, fumes and organic tapes. This seal is effective to 302°F (150°C) under continuous operation.

Please note when ordering this option, that a minimum no-heat section is required to allow for construction. Additional no-heat may be required to keep the seal below effective temperatures. The minimum lead end no-heat required is 1 in. (25 mm). The LA cap adds 3/4 in. (19 mm) to the overall length. To order, specify **option code P**.

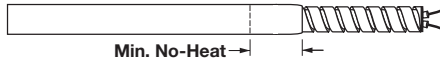
Cartridge/Insertion Heaters

FIREROD Cartridge Heaters

LA

Termination Options (Continued)

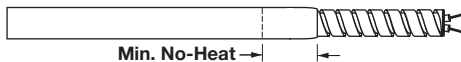
LA Straight Stainless Steel Hose



An LA straight stainless steel hose provides the best protection against abrasion from sharp edges. It also offers ease of handling and wiring in abrasive environments. Unless specified a 12 in. (305 mm) hose is supplied. Leads are 2 in. (51 mm) longer than the hose but, longer leads are available.

The minimum lead end no-heat required is $\frac{3}{4}$ in. (19 mm). This option adds $\frac{1}{2}$ in. (13 mm) to the overall length. To order, specify **option code H**.

LA Straight Stainless Steel Hose with PTFE Leads and Seal



An LA straight stainless steel hose with PTFE leads and seal is the ultimate combination for providing abrasion protection and a moisture resistant seal. Unless specified, a standard 12 in. (305 mm) hose is supplied. Leads are 2 in. (51 mm) longer than the hose, but longer leads are available. This seal is effective up to 392°F (200°C) under continuous operation.

The minimum lead end no-heat required is 1 in. (25 mm). This option adds $\frac{3}{4}$ in. (19 mm) to the overall length. To order, specify **option code G**.

LA Straight Stainless Steel Braid

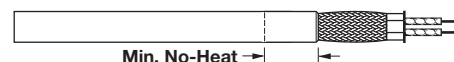


The LA straight stainless steel braid is designed to protect leads from abrasion against sharp edges. It is the most flexible Watlow protective lead arrangement.

Unless specified, a 12 in. (305 mm) braid is supplied. Leads are 2 in. (51 mm) longer than the braid, but longer leads are available.

The minimum lead end no-heat required is $\frac{3}{4}$ in. (19 mm). This option adds $\frac{1}{2}$ in. (13 mm) to the overall length. To order, specify **option code C**.

LA Straight Stainless Steel Braid with PTFE Leads and Seal



The LA straight stainless steel braid with PTFE leads and seal is Watlow's most flexible lead protection with a moisture resistant seal. Unless specified, a 12 in. (305 mm) braid is supplied. Leads are 2 in. (51 mm) longer than the braid, but longer leads are available. This seal is effective up to 392°F (200°C) under continuous operation.

The minimum lead end no-heat required is 1 in. (25 mm). This option adds $\frac{3}{4}$ in. (19 mm) to the overall length. To order, specify **option code F**.

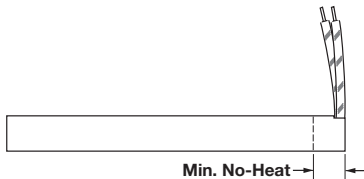
Cartridge/Insertion Heaters

FIREROD Cartridge Heaters

LA

Right Angle Options

LA Right Angle Leads



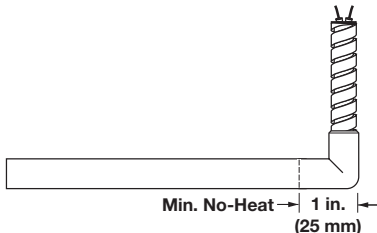
LA right angle leads are used in applications with a high degree of flexing and when space limitations are critical. Stranded lead wires are connected internally (swaged-in) and exit at a 90 degree angle at the end of the heater.

To order, specify **option code R**.

Minimum No-Heat Required in. (mm)					
Dia.	1/4	3/8	1/2	5/8	3/4
In. (mm)	13/16 (21)	3/4 (19)	13/16 (21)	13/16 (21)	13/16 (21)

To order right angle leads with PTFE leads and seals, specify **option code B**.

LA Right Angle Stainless Steel Hose



The diameter of the right angle extension is equal to the nominal diameter of the heater.

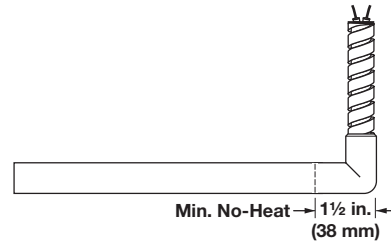
An LA right angle stainless steel hose is provided for wiring convenience. Like the LA straight stainless steel hose, it protects leads from abrasion against sharp edges. Unless specified, a 12 in. (305 mm) hose is supplied. Leads are 2 in. (51 mm) longer than the hose, but longer leads are available.

Diameter	3/8	1/2	5/8	3/4
Adder length in. (mm)	3/4 (19)	3/4 (19)	3/4 (19)	7/8 (22)
Min. no-heat in. (mm)	1 (25)	1 (25)	1 (25)	1 1/8 (29)

To order specify **option code W**.

Note: This option is not available on 1/4 in. (6 mm) diameter.

LA Right Angle Stainless Steel Hose with PTFE Leads and Seal



The diameter of the right angle extension is equal to the nominal diameter of the heater.

An LA right angle stainless steel hose with PTFE leads and a seal is the ultimate combination for providing abrasion protection and a moisture resistant seal with wiring convenience. Unless specified, a 12 in. (305 mm) hose is supplied. Leads are 2 in. (51 mm) longer than the hose but longer leads are available. This seal is effective to 392°F (200°C) under continuous operation.

The minimum lead end no-heat required is 1 1/2 in. (38 mm). This option adds 1 1/4 in. (32 mm) to overall length on stock units.

To order, specify **option code M**.

Note: This option is not available on 1/4 in. (6 mm) diameter.

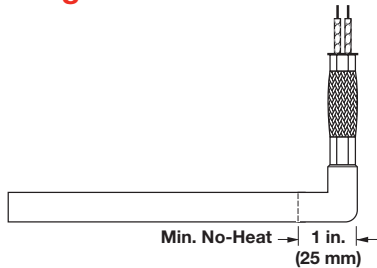
Cartridge/Insertion Heaters

FIREROD Cartridge Heaters

LA

Right Angle Options (Continued)

LA Right Angle Stainless Steel Braid



The diameter of the right angle extension is equal to the nominal diameter of the heater.

An LA right angle stainless steel braid is provided for wiring convenience. It protects leads from abrasion against sharp edges.

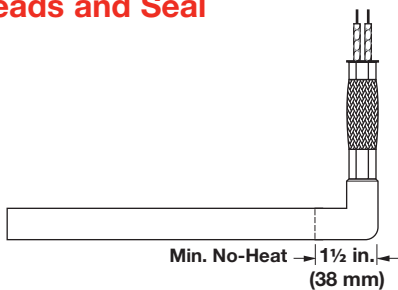
Unless specified, a 12 in. (305 mm) braid is supplied. Leads are 2 in. (51 mm) longer than the braid, but longer leads are available.

Diameter	3/8	1/2	5/8	3/4
Adder length in. (mm)	3/4 (19)	3/4 (19)	3/4 (19)	7/8 (22)
Min. no-heat in. (mm)	1 (25)	1 (25)	1 (25)	1 1/8 (29)

To order, specify **option code Y**.

Note: This option is not available on 1/4 in. (6 mm) diameter.

LA Right Angle Stainless Steel Braid with PTFE Leads and Seal



The diameter of the right angle extension is equal to the nominal diameter of the heater.

The LA right angle stainless steel braid with PTFE leads and seal is Watlow's most flexible lead protection with a moisture resistant PTFE seal and wiring convenience. Unless specified, a 12 in. (305 mm) braid is supplied. Leads are 2 in. (51 mm) longer than the braid, but longer leads are available. This seal is effective up to 392°F (200°C) under continuous operation.

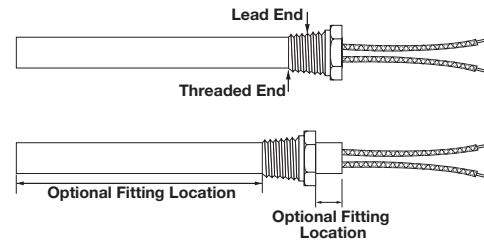
The minimum lead end no-heat required is 1 1/2 in. (38 mm). This option adds 1 1/4 in. (32 mm) to the overall length on stock units.

To order, specify **option code A**.

Note: This option is not available on 1/4 in. (6 mm) diameter.

Mounting Options

LA Stainless Steel Threaded Fittings



Fitting overlaps the unheated section and is silver soldered to the sheath.

Threaded fittings allow fast, water-tight installation of the heater into a threaded hole. These fittings are 304 stainless steel, other stainless steel alloys are available upon request. Double threaded fittings are also available.

Please see page 33 for threaded fitting specifications.

Provide the location of the fittings if no-heat extension option is requested.

Lead Arrangement	Minimum Distance ^① Between Threaded End and Lead End in. (mm)
Crimped Leads	1/4 (6)
Swaged-in Leads	5/16 ^{②④} (8)
STR SS Hose	1/2 ^③ (13)
STR SS Braid	1/2 (13)
PTFE Seal & Leads	7/8 (22)
Silicone Seal & Leads	7/8 (22)

① The location of the threaded fitting from the thread end of the fitting to the lead end of the heater.

All optional fitting locations are available only with LA no-heat extensions. Contact your Watlow representative for details.

② On 1/4 in. diameter FIREROD only "A" dimension is 7/16 in. (11.1 mm).

③ On 1/4 in. diameter FIREROD only "A" dimension is 5/8 in. (15.9 mm).

④ On 5/8 in. and 3/4 in. the fitting is located at 7/8 in. from the lead end using a 3/4 in. no-heat extension. In order to locate at 5/16 in., the fitting must be epoxied.

Note: Minimum distance between threaded end and heated section is 1/4 in.

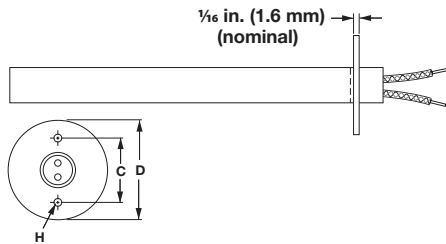
Cartridge/Insertion Heaters

FIREROD Cartridge Heaters

LA

Mounting Options

Flanges



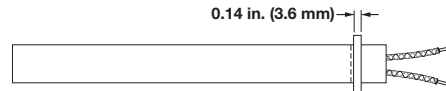
Stainless steel flanges are a convenient mounting method to position a heater within an application. The flange is staked on and located $\frac{1}{4}$ in. (6 mm) from the lead end. The flange can be located up to $2\frac{1}{4}$ in. (57 mm) from the lead end if it is over a no-heat section. Use this option in combination with most LA configurations.

To order, specify **flange**, size and locations.

Flange Specifications

FIREROD Diameter in.	Flange Size	in. (mm)		
		D	C	H
$\frac{1}{4}$, $\frac{3}{8}$, $\frac{1}{2}$	FS	1 (25)	$\frac{3}{4}$ (19)	0.144 (4)
$\frac{1}{4}$, $\frac{3}{8}$, $\frac{1}{2}$ $\frac{5}{8}$, $\frac{3}{4}$	FM	$1\frac{1}{2}$ (38)	$1\frac{1}{8}$ (29)	0.156 (4)
$\frac{5}{8}$, $\frac{3}{4}$	FL	2 (51)	$1\frac{1}{2}$ (38)	0.201 (5)

Locating Ring



A stainless steel locating ring can be used as a retaining collar to position a FIREROD if mounting requirements are not critical.

For LA, specify the location if the no-heat extension option is requested. On FIRERODs with crimped on leads without the LA option, the locating ring will be located on the last $\frac{1}{4}$ in. (6 mm).

To order, specify **locating ring**.

Locating Ring Specifications

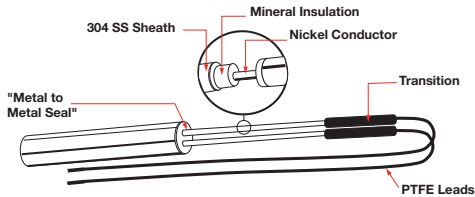
Diameter	$\frac{1}{4}$	$\frac{3}{8}$	$\frac{1}{2}$	$\frac{5}{8}$	$\frac{3}{4}$
Ring O.D. in. (mm)	$\frac{1}{2}$ (13)	$\frac{5}{8}$ (16)	$\frac{3}{4}$ (19)	$\frac{7}{8}$ (22)	1 (25)

Cartridge/Insertion Heaters

FIREROD Cartridge Heaters

LA

Mineral Insulated (MI) Leads



MI leads handle both high temperatures and contamination, and resist other problems including abrasion and excessive vibration. The metal seal and swaged-in formable MI cable leads can handle temperatures up to 1500°F (815°C). The lead end seal resists moisture and other forms of contamination, including gases, oils, plastic drool, solvents and water.

This LA option is also available as a manufactured item. Specify MI leads and seal, as well as volts, watts, cable length, lead length and type. Unless specified, 6 in. (152 mm) of MI cable and 12 in. (305 mm) of PTFE leads will be supplied. To order, specify **option code J**.

Note: A minimum charge per line item applies.

Benefits

- Increases heater life
- Minimizes down time
- Resists moisture contamination
- Allows a cartridge heater to be used where it was not previously possible
- Resists abrasion and vibration
- Forms and bends to fit the contours of wiring raceways
- Protects against high temperatures without additional insulation

Typical Applications

- Vacuum forming
- Plastic molding
- Medical device manufacturing
- Food handling equipment
- Zinc die-casting

Technical Data

Max. temp. of cable: 1500°F (815°C)

Max. temp. of cable to lead transition: 300°F (149°C)
(where flexible leads attach to cable)

Cable sheath material: 304 SS

Conductor material: nickel

Max. voltage: 240V

Transition length: 1¹/₈ in. (28.6 mm)

Lead Types

PTFE 392°F (200°C) – T

Heater Diameter in.	Max. Current Amperes	Conductor Diameter in.	Cable Diameter in.	Transition Diameter in.	Cable Length		Min. Bend Radius	Max. Voltage in.	Length Adder
					Min. in.	Max. in.			
3/8	7.0	0.044	0.108	0.230	6	72	0.225	240	G (3/8)
1/2	7.0	0.044	0.108	0.230	6	72	0.225	240	K (9/16)
5/8	9.7	0.062	0.138	0.250	6	72	0.280	240	L (5/8)
3/4	9.7	0.062	0.138	0.250	6	72	0.280	240	L (5/8)

This information pertains to standard FIREROD heaters.

Cartridge/Insertion Heaters

FIREROD Cartridge Heaters

LA Options

Option	Minimum Length Adders Per Diameter Per Option in. (mm)					Option Code
	1/4 (6)	3/8 (9.5)	1/2 (13)	5/8 (15.9)	3/4 (19)	
Heater Diameter						
Swaged-in leads	E 1/4 (6)	E 1/4 (6)	E 1/4 (6)	E 1/4 (6)	E 1/4 (6)	None
Right angle leads	K 9/16 (14)	J 1/2 (13)	K 9/16 (14)	K 9/16 (14)	K 9/16 (14)	R
PTFE seal and leads	— —	N 3/4 (19)	N 3/4 (19)	N 3/4 (19)	N 3/4 (19)	T
Right angle PTFE seal and leads	— —	N 3/4 (19)	N 3/4 (19)	N 3/4 (19)	N 3/4 (19)	B
Silicone seal and leads	— —	N 3/4 (19)	N 3/4 (19)	N 3/4 (19)	N 3/4 (19)	P
Straight hose	J 1/2 (13)	J 1/2 (13)	J 1/2 (13)	J 1/2 (13)	J 1/2 (13)	H
Right angle hose	— —	N 3/4 (19)	N 3/4 (19)	N 3/4 (19)	R 7/8 (22.2)	W
Straight hose with PTFE seal and leads	— —	N 3/4 (19)	N 3/4 (19)	N 3/4 (19)	N 3/4 (19)	G
Straight braid	J 1/2 (13)	J 1/2 (13)	J 1/2 (13)	J 1/2 (13)	J 1/2 (13)	C
Right angle braid	— —	N 3/4 (19)	N 3/4 (19)	N 3/4 (19)	R 7/8 (22)	Y
Right angle braid with PTFE seal and leads	— —	1E 1 1/4 (32)	1E 1 1/4 (32)	1E 1 1/4 (32)	1E 1 1/4 (32)	A
Straight braid with PTFE seal and leads	— —	N 3/4 (19)	N 3/4 (19)	N 3/4 (19)	N 3/4 (19)	F
Right angle hose with PTFE seal and leads	— —	1E 1 1/4 (32)	1E 1 1/4 (32)	1E 1 1/4 (32)	1E 1 1/4 (32)	M

LA options are available for all FIRERODs, except the 1/8 in. diameter size. To order any of these options, please build the order number by specifying the Watlow part number, length adder code, option code and lead length.

Ordering Example: The order number **J12A89-N72W74** indicates an order for a 12 in. (305 mm) FIREROD with 72 in. (1830 mm) right angle stainless steel hose and 74 in. (1880 mm) leads. The overall heater length equals 12 3/4 in. (324 mm).

Note: No-heat extensions are available for most LA options in diameters of 3/8, 1/2, 5/8 and 3/4 in. Contact your Watlow representative for available LA options.

To order any of these dimensions, please specify the applicable length adder code shown.

Lead Type Codes

Type	Maximum Temperature	Option Code
GGS	482°F (250°C)	None
MGT	842°F (450°C)	H
PTFE	392°F (200°C)	T

Note: Available for LA fiberglass leads.

No-Heat Length Adder Codes

No-Heat Option in. (mm)	Length Adder Code
3/4 (19)	N
1 1/4 (32)	1E
1 3/4 (44)	1N
2 1/4 (56)	2E

Modifying Basic FIRERODs Using the LA Process for Swaged-in Leads

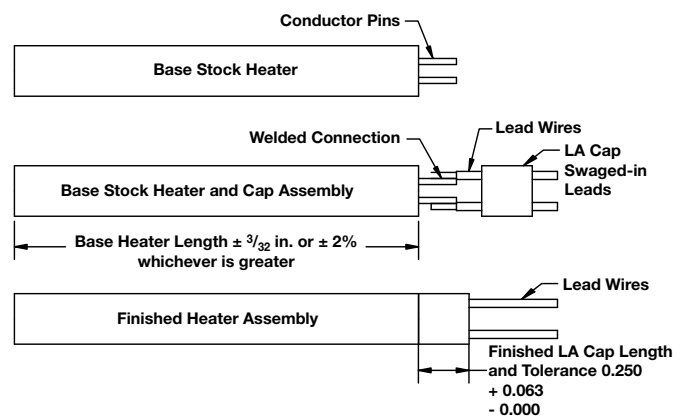
Watlow:

- Shortens conductor pins
- Welds lead wires to pins
- Places an LA cap over the lead end of the heater
- Reduces the diameter of the LA cap over the lead end of the base unit to produce a rugged integrated heater assembly

Notes:

- Other LA construction options use a similar modification process
- Maximum temperature of LA cap is 1000°F (538°C)

Length Tolerance for Stock Heaters With LA Options



Note: Base stock heater tolerance + LA cap tolerance = total tolerance for assembly

Cartridge/Insertion Heaters

FIREROD Cartridge Heaters

Non-Lead Adapter (LA)

Modification Coding

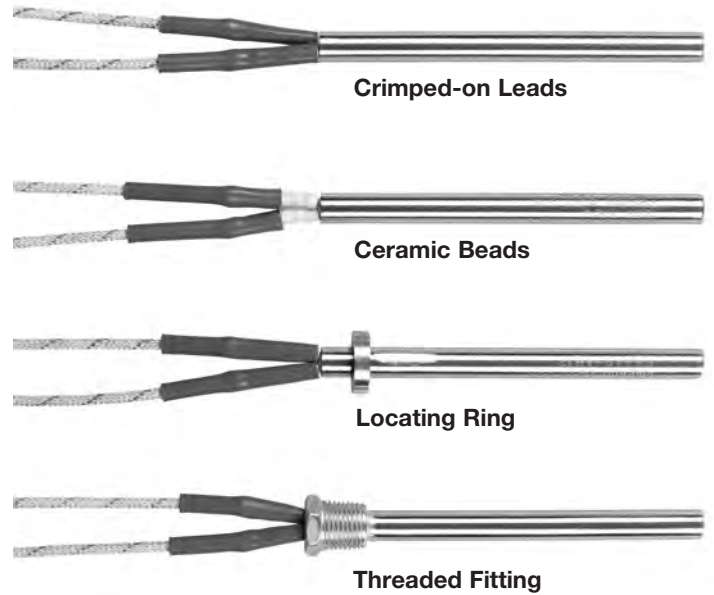
Watlow offers heaters in various diameters, lengths and volt-wattage combinations that are ready for shipping. Basic modifications can be made and heaters are shipped the same day. Modifications include flanges, threaded fittings, locating rings, ceramic beads and crimped on leads. Following is a list of all available non-LA mounting and pin option codes.

Mounting Option Codes

- BA - Small flange FS (available on $\frac{1}{4}$, $\frac{3}{8}$ and $\frac{1}{2}$ in.)
- BB - Medium flange FM (available on $\frac{1}{4}$, $\frac{3}{8}$, $\frac{1}{2}$, $\frac{5}{8}$ and $\frac{3}{4}$ in.)
- BC - Large flange FL (available on $\frac{5}{8}$ and $\frac{3}{4}$ in.)
- BD - Locating ring (available on $\frac{1}{4}$, $\frac{3}{8}$, $\frac{1}{2}$, $\frac{5}{8}$ and $\frac{3}{4}$ in.)
- BG - Single stainless steel fitting
- BH - Double stainless steel fitting
- BY - Stainless steel reversed

Pin Option Codes

- AA - Short pins $\frac{3}{8}$ in. (10 mm)
- AB - Medium pins $\frac{5}{8}$ in. (16 mm)
- AC - Long pins $1\frac{3}{4}$ in. (45 mm)
- AD - Stagger pins
- AE - Ceramic beads $\frac{1}{2}$ in. (13 mm)
- AF - Ceramic beads $\frac{3}{4}$ in. (19 mm)
- AG - Ceramic beads 1 in. (25 mm)
- AH - Ceramic beads $1\frac{1}{4}$ in. (32 mm)
- AJ - Ceramic beads $1\frac{1}{2}$ in. (38 mm)



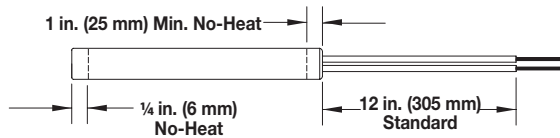
Cartridge/Insertion Heaters

FIREROD Cartridge Heaters

Made-to-Order

Straight Options

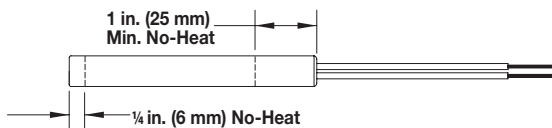
Swaged-in Flexible Leads



Swaged-in flexible leads are used in applications where a high degree of flexing exists or leads must be bent sharply adjacent to the heater without exposing or breaking the conductor. Stranded wire leads are connected internally and exit through the lead end. Lead wire type is high temperature fiberglass. The maximum temperature of the standard fiberglass end piece is 842°F (450°C). Unless specified, 12 in. (305 mm) leads are supplied.

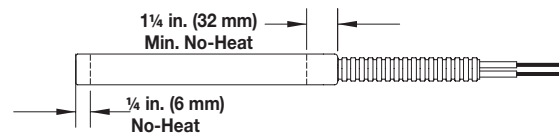
The minimum lead end for no-heat is 1 in. (25 mm) min. or 12 percent of overall heater length. Additional no-heat may be required to keep the end piece and leads below the maximum operating temperatures.

PTFE Seal and Leads



A PTFE seal and leads protect the heater against moisture and contamination from cleaning solvents, plastic material, fumes and organic tapes. This seal is effective up to 392°F (200°C) under continuous operation. The PTFE seal and leads have a minimum lead end unheated section of 1 in. (25 mm). Additional no-heat may be required to keep the seal below its maximum operating temperature.

Straight Stainless Steel Hose

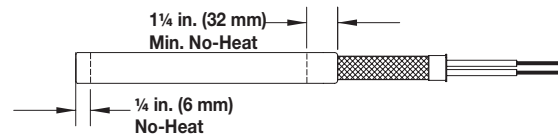


A straight stainless steel hose provides the best protection against abrasion from sharp edges. It also offers ease of handling and wiring in abrasive environments.

Unless specified, a 12 in. (305 mm) hose is supplied. Leads are 2 in. (51 mm) longer than the hose.

Note: This option is available with PTFE leads and seal. Minimum no-heats are longer. Contact your Watlow representative for details.

Straight Stainless Steel Braid



A straight stainless braid is designed to protect leads from abrasion against sharp edges and is Watlow's most flexible protective lead arrangement.

Unless specified, a 12 in. (305 mm) braid is supplied. Leads are 2 in. (51 mm) longer than the braid.

Note: This option is available with PTFE leads and seal. Minimum no-heats are longer. Contact your Watlow representative for details.

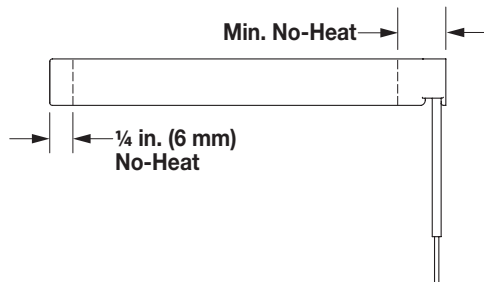
Cartridge/Insertion Heaters

FIREROD Cartridge Heaters

Made-to-Order

Right Angle Options

Right Angle Leads

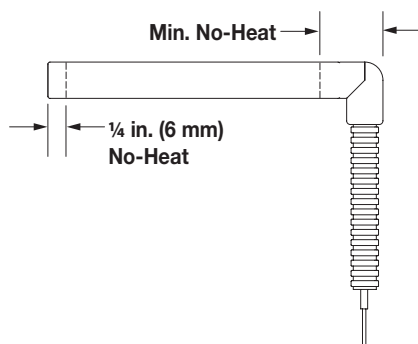


Right angle leads are used in applications with a high degree of flexing and when space limitations are critical. Standard lead wires are connected internally (swaged-in) and exit at a 90° angle at the end of the heater.

Diameter	1/4	3/8	1/2	5/8	3/4
Min. no-heat in. (mm)	1 1/4 (32)	1 1/4 (32)	1 5/16 (33)	1 7/16 (37)	1 7/16 (37)

Note: This option is available with PTFE leads and seal. Minimum no-heats are longer. Contact your Watlow representative for details.

Right Angle Stainless Steel Hose



The diameter of the right angle extension is equal to the nominal diameter of the heater.

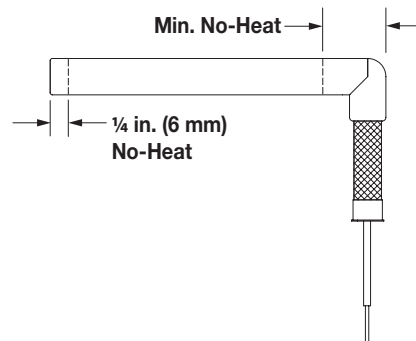
A right angle stainless steel hose is provided for wiring convenience. It protects leads from abrasion against sharp edges.

Unless specified, a 12 in. (305 mm) hose is supplied. Leads are 2 in. (51 mm) longer than the hose.

Diameter	1/4	3/8	1/2	5/8	3/4
Min. no-heat in. (mm)	1 5/16 (33)	1 3/8 (35)	1 9/16 (40)	1 11/16 (43)	1 13/16 (46)

Note: This option is available with PTFE leads and seal. Minimum no-heats are longer. Contact your Watlow representative for details.

Right Angle Stainless Steel Braid



The diameter of the right angle extension is equal to the nominal diameter of the heater.

A right angle stainless steel braid is provided for wiring convenience. It protects leads from abrasion against sharp edges.

Unless specified, a 12 in. (305 mm) hose is supplied. Leads are 2 in. (51 mm) longer than the hose.

Diameter	1/4	3/8	1/2	5/8	3/4
Min. no-heat in. (mm)	1 5/16 (33)	1 3/8 (35)	1 9/16 (40)	1 11/16 (43)	1 13/16 (46)

Note: This option is available with PTFE leads and seal. Minimum no-heats are longer. Contact your Watlow representative for details.

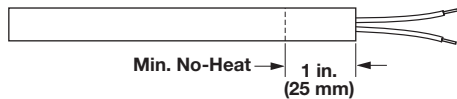
Cartridge/Insertion Heaters

FIREROD Cartridge Heaters

Made-to-Order

Termination Options

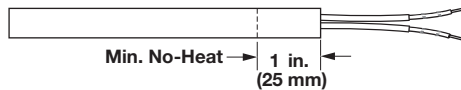
Silicone Rubber Seal and Leads



Made-to-order silicone rubber seal and leads protect the heater against moisture and contamination from lubricating oil, cleaning solvents, plastic material, fumes and organic tapes. This seal is effective up to 302°F (150°C) under continuous operation.

Silicone rubber seal and leads for made-to-order units greater than 10 in. (250 mm) long comprise a minimum no-heat section of approximately 12 percent of the overall length. Longer no-heat sections are available if required.

Epoxy Seal

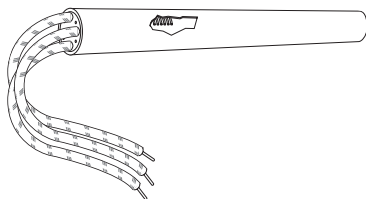


Epoxy seals help protect the heater against moisture and contamination from lubricating oil, cleaning solvents, plastic material, fumes and organic tapes. These seals are effective up to 250°F (121°C) under continuous operation.

Epoxy seals can be ordered only on units greater than 1/8 in. (3 mm) in diameter with crimped on leads. The minimum no-heat section at the lead end is 1 in. (25 mm). Longer no-heat sections are available upon request.

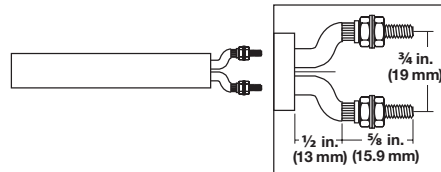
To order, specify **epoxy seal**.

Ground Lead



Ground leads are a safety feature to protect both workers and equipment. This configuration is not available on all options. Contact your Watlow representative for additional information. To order, specify **ground lead**.

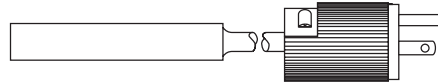
Post Terminals



Post terminals provide a quick, secure connection with ring or fork connectors or bus bars. Threaded 6-32 studs are soldered to the solid power pins. Nuts and washers are provided.

Post terminals are available on FIREROD heaters of 5/8, 3/4 and 1 in. (16, 19 and 25 mm) diameter. On 1 in. (25 mm) diameters, pins are straight. To order, specify **post terminals**.

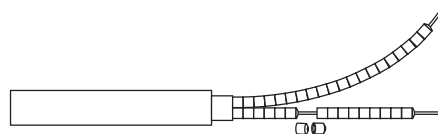
UL® Listed Plugs



UL® listed plugs are a safe, convenient installation method, especially when frequent connection or disconnection is required. These plugs have a nylon dead front, a molded-in cord grip and straight or Twist-Lock® blades with or without ground.

Use UL® listed plugs with a stainless steel hose, conduit, braid or lead wires with sleeving. To order, specify **UL® listed plugs**.

Ceramic Bead Insulation



Ceramic bead insulation protects the leads from high ambient temperatures above 842°F (450°C).

The beads fit over solid conductors that extend to reach a cooler area where flexible wires can be attached.

This option is not available on 1/8 in. (3 mm) diameter leads. The maximum available length on FIRERODs is 12 in. (305 mm). To order, specify **ceramic beads** and length, and additional lead length.

Cartridge/Insertion Heaters

FIREROD Cartridge Heaters

Made-to-Order

Options

Passivation

During the manufacturing and handling of stainless steel, particles of iron or tool steel may embed in the sheath. If they are not removed, particles may corrode and produce rust spots. In critical sheath contact applications for the medical industry, passivation will remove free iron from the sheath. To order, specify **316L stainless steel sheath** and **passivation**.

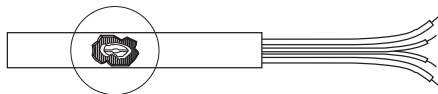
Note: A minimum charge per line item applies.

Thermocouple Types

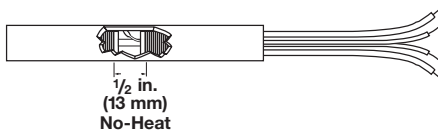
ASTM Code	Conductor Characteristics		Temperature Range °F (°C)
	Positive	Negative	
J	Iron (Magnetic) (White)	Constantan (Non-Magnetic) (Red)	0 to 1400 (-20 to 760)
K	Chromel® (Non-Magnetic) (Yellow)	Alumel® (Magnetic) (Red)	0 to 2300 (-20 to 1260)

For other ISA types, contact your Watlow representative.

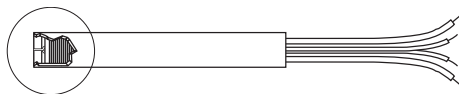
Style A



Style B



Style C



Individually Controlled Heat Zones

Individually controlled heat zones offer the flexibility to control temperature by zones, along the length of the FIREROD heater. This is an advantage for heating requirements of certain applications, such as seal bars. This internal construction can be ordered on 5/8, 3/4 and 1 in. (16, 19 and 25 mm) diameter FIREROD heaters. To order, specify **individually controlled heat zones** and wattage and length per zone.

Note: A minimum charge per line item applies.

Internal Thermocouple

Style A internal thermocouples can be used to evaluate heat transfer efficiency of an application. This measurement can help to cut energy costs and increase heater life. The ungrounded junction is located in the heater core to monitor the internal temperature of the heater.

The Style B internal thermocouple provides a good approximation of part temperature and is located anywhere along the length of the heater. Due to variations in production, this style may be grounded or ungrounded.

This junction is located adjacent to the inside heater sheath in the center of the heated section unless otherwise specified. A 1/2 in. (13 mm) unheated section is required.

A Style C internal thermocouple is useful in applications where material flows past the end of the heater, as in plastic molding. This grounded junction is embedded in a special end disc. Unless requested, the disc end is not mechanically sealed.

To order, specify **internal thermocouple, Style A, B or C** and **thermocouple ASTM Type J or K**.

If not specified, 12 in. (305 mm) thermocouple leads are supplied.

Availability

All styles are available on all diameters with the exception of 1/8 in. (3.2 mm) diameter, which is available only with Style C, and 1 in. (25 mm) which is available only with Style A and B.

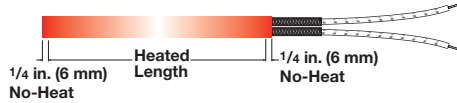
Cartridge/Insertion Heaters

FIREROD Cartridge Heaters

Made-to-Order

Options

Distributed Wattage



Distributed wattage varies the watt density along the length of the heater. This construction technique compensates for heat losses along the edges of heated parts and is ideal for seal bar applications.

To order, specify **distributed wattage** and give the length and wattage for each section.

Note: A minimum charge per line item applies.

Dual Voltage

When the FIREROD requires the flexibility of operating on two voltages, dual voltage internal construction should be used. Dual voltage is not compatible for all lead options. Contact your Watlow representative for availability. To order, specify **dual voltage** and voltage requirements.

Note: A minimum charge per line item applies.

Centerless Grinding

Centerless grinding can be used to furnish precision diameters to permit closer heater-to-part fit allowing higher watt densities to be used.

For centerless ground heaters, the heater must have PTFE seal and leads (maximum 12 in. (305 mm) lead length) or crimped on leads. Longer lead lengths are available, but require an external connection. The length of a FIREROD available for centerless grinding depends on the construction. Please contact your Watlow representative for assistance. To order, specify **centerless grinding**.

FIREROD Diameter in.	Actual Precision Diameter in.
1/4	0.241 ± 0.0005
3/8	0.363 ± 0.0005
1/2	0.488 ± 0.0005
5/8	0.613 ± 0.0005
3/4	0.738 ± 0.0005
1 ^①	0.984 ± 0.0005

^①A minimum charge per line item applies.

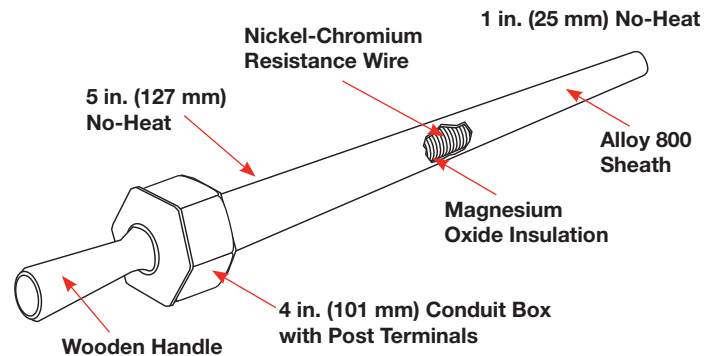
Bolt Heaters

The high performance FIREROD can be upgraded with a conduit box and wooden handle.

When inserted into a hollow bolt, this heater lengthens the bolt by heat expansion allowing the nut to be further wrench-tightened. The FIREROD bolt is then de-energized and removed. Upon cooling, the bolt contracts to a tight fit.

Performance Capabilities

- Part temperatures up to 1000°F (540°C)
- Maximum watt density up to 100 W/in² (15.5 W/cm²)



FIREROD Bolt Specifications

Diameter ±0.005 in.	0.496	0.621	0.746	0.996
Maximum Volts	240	480	480	480
Maximum Amperes	9.7	23	46	46
120 Maximum Watts	1,160	2,760	5,520	5,520
240 Maximum Watts	2,320	5,520	11,000	11,000
1 PH 480	—	11,000	22,000	22,000
3 PH Available	—	—	YES	YES

Note: Minimum charge per line item applies.

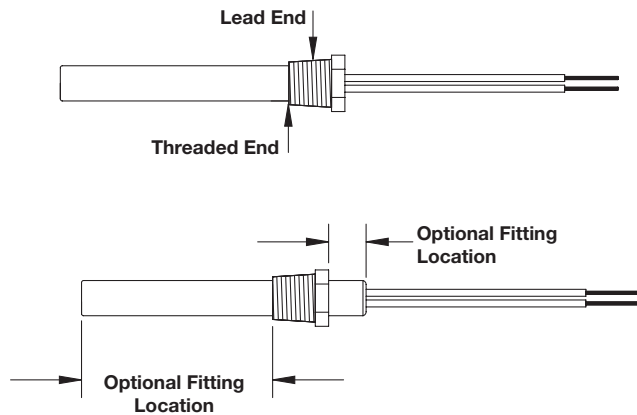
Cartridge/Insertion Heaters

FIREROD Cartridge Heaters

Made-to-Order

Mounting Options

Threaded Fittings



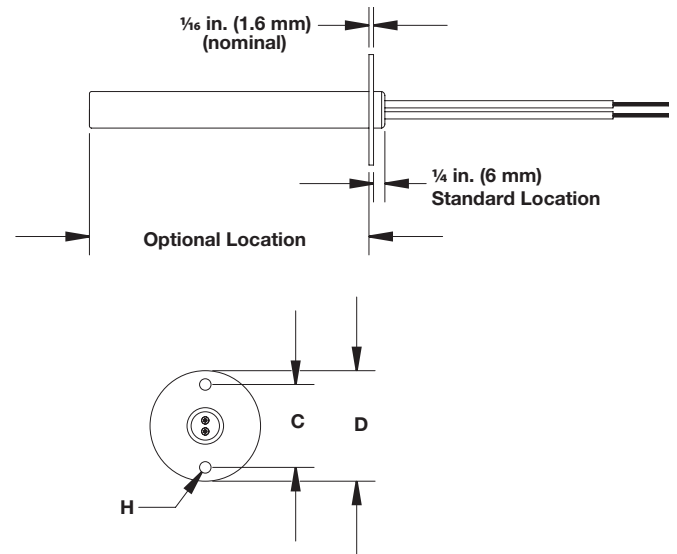
Threaded fittings allow fast, water-tight heater installation into a threaded hole. Standard fittings are 304 stainless steel and welded to the heater sheath. Other materials are available upon request. Double threaded fittings are also available.

Unless specified, the fitting hex is located flush with the lead end.

Threaded Fittings Specifications

Heater Diameter in.	Pipe Thread Size (NPTF) in. (mm)	Single Thread Fitting Length in. (mm)	Double Thread Fitting Length in. (mm)
1/4	1/8 (3)	1/2 (13)	7/8 (22)
3/8	1/4 (6)	5/8 (16)	1 ⁵ / ₁₆ (49)
1/2	3/8 (10)	3/4 (19)	1 ³ / ₈ (35)
5/8	1/2 (13)	7/8 (22)	1 ¹³ / ₁₆ (46)
3/4	3/4 (19)	1 (25)	1 ¹³ / ₁₆ (46)
1	1 (25)	1 (25)	1 ¹ / ₂ (38)

Flanges



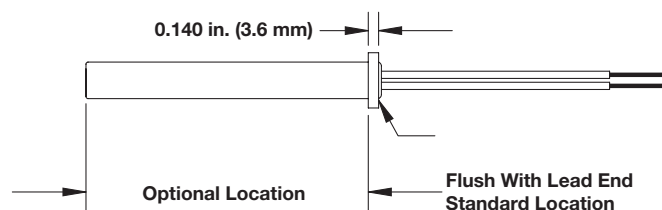
Stainless steel flanges are a convenient mounting method and can be used to position a heater within an application. The standard location is 1/4 in. (6 mm) from the lead end. However, a specific location may be requested in any location along the no-heat section. Unless specified, flanges are staked to the sheath.

To order, specify **flange size** and location.

Flange Specifications

FIREROD Diameter in.	Flange Size	D in. (mm)	C in. (mm)	H in.
1/8, 1/4, 3/8, 1/2	FS	1 (25)	3/4 (19)	0.144
1/4, 3/8, 1/2, 5/8, 3/4	FM	1 ¹ / ₂ (38)	1 ¹ / ₈ (28)	0.156
5/8, 3/4, 1	FL	2 (51)	1 ¹ / ₂ (38)	0.201

Locating Rings



A stainless steel locating ring can be used as a retaining collar to position a FIREROD heater if mounting requirements are not critical. Standard locating rings are staked to the heater sheath.

To order, specify **locating ring** and location.

Locating Ring Specifications

Diameter - in.	1/4	3/8	1/2	5/8	3/4
Ring O.D. in. (mm)	1/2 (13)	5/8 (16)	3/4 (19)	7/8 (22)	1 (25)

Cartridge/Insertion Heaters

**EXTENDED
CAPABILITY**

Extended Capabilities For Custom Cartridge Heaters

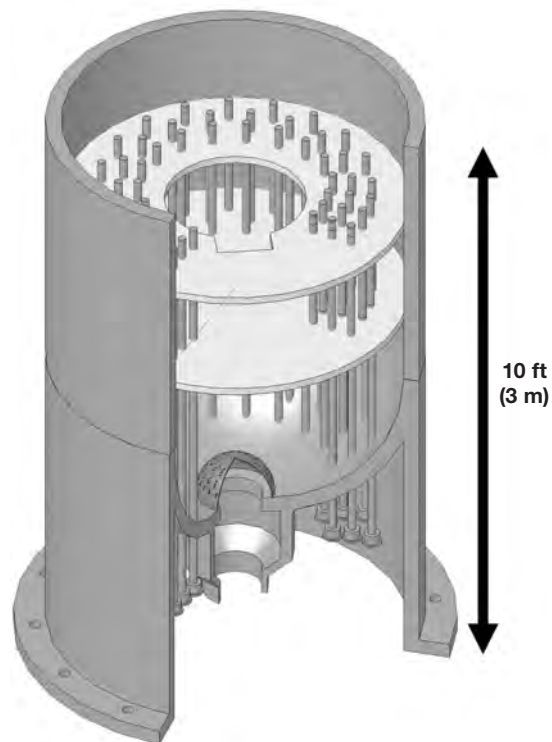
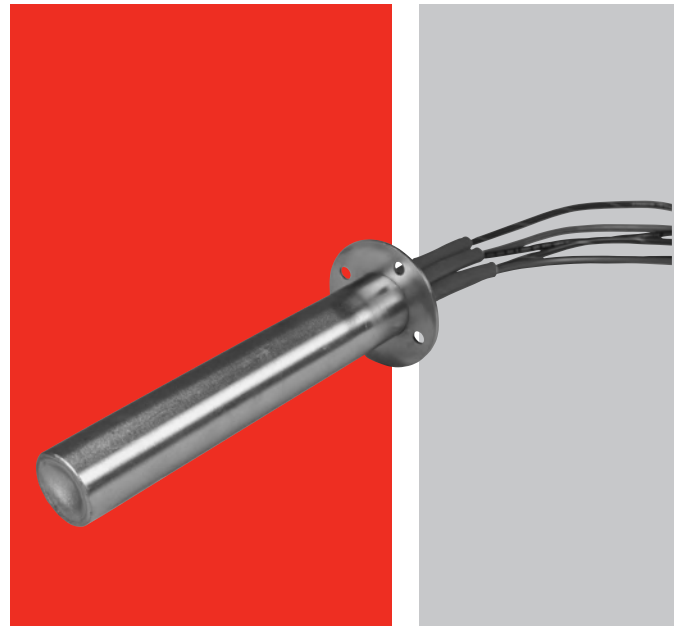
Special cartridge heaters can be engineered and designed to meet the most difficult applications and the highest quality standards. From nuclear power plants to open heart surgeries, Watlow cartridge heaters with extended capabilities are exceeding customer expectations. For more than 80 years, emphasis on sound engineering and quality control has established Watlow as a preferred supplier for many high-performance heating requirements. For large opportunities, a solution for you can be engineered to accommodate:

- Custom diameters
- High watt density applications
- Long heater lengths
- Low current leakage constructions
- Special testing and inspection
- Non-destructive testing: x-ray, helium leak tests and start up verification
- Integrated thermostats
- Value added integration of the Watlow heater into a sub-assembly
- Complete documentation packages: approval drawings, material traceability, inspection traceability and other compliance documents.



High Performance Cartridge Heaters

Watlow has developed a wide range of heaters and assemblies to meet requirements for the most demanding applications. Watlow can engineer and manufacture heaters with low leakage constructions, integrated temperature controls or limits and unique customer hardware and connectors.



Nuclear Pressurizer Heaters

Watlow has provided specialized heaters to the nuclear industry for more than 40 years. Watlow pressurizer heaters are highly reliable and manufactured to meet the exacting standards of the nuclear industry.

Cartridge/Insertion Heaters

**EXTENDED
CAPABILITY**

Extended Capabilities For FIREROD Cartridge Heaters

Made-to-Order

Termination Options

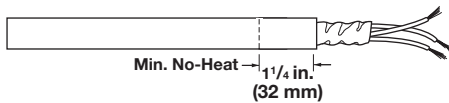
Low Electrical Leakage

This construction technique minimizes current leakage of the heating element. It is especially useful in critical medical applications where low set point ground fault interrupts are used.

Low electrical leakage is available on $\frac{3}{8}$, $\frac{1}{2}$, $\frac{5}{8}$ and $\frac{3}{4}$ in. (10, 13, 16 and 19 mm) diameter FIREROD heaters.

To order, specify **low electrical leakage**.

SJO Cord

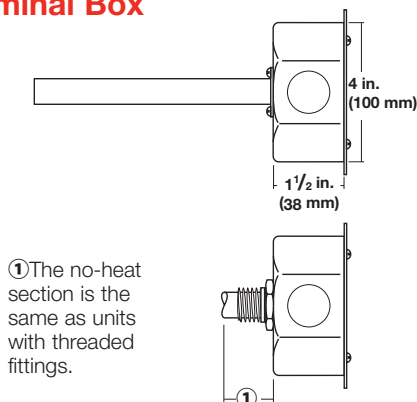


SJO cord is used in low temperature applications where lead wires require protection against moisture or when UL® listed plugs are needed. This cord is limited to 140°F (60°C) under continuous operation.

FIREROD heaters greater than 10 in. (250 mm) have a minimum no-heat section of approximately 12 percent + $\frac{1}{4}$ in. (6 mm) of the overall length.

To order, specify either **two conductor or three conductor** as well as **overall length**.

Terminal Box



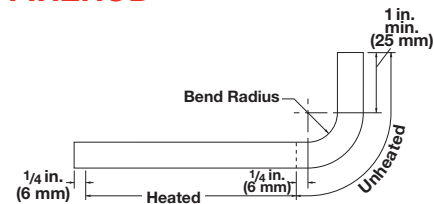
A 4 in. (100 mm) NEMA 1 octagonal terminal box is mounted on a flange or a threaded fitting. Boxes have $\frac{1}{2}$ in. (13 mm) conduit knockouts for electrical connection.

Hazardous location (NEMA 4 and NEMA 7) terminal boxes are also available. Contact your Watlow representative for details. Terminal boxes are available on $\frac{1}{2}$ in. (13 mm) through 1 in. (25 mm) diameter FIREROD heaters.

To order, specify **terminal box** and **NEMA type**.

Options

Bent FIREROD



In applications where leads must exit at an angle, a bend can be made in the unheated section only. Heated sections may be on either side of the bend. It is recommended that the heater be bent at the Watlow factory.

A 304 stainless steel sheath is used on bent FIREROD heaters. If the sheath temperature exceeds 1000°F (540°C), contact your Watlow representative.

See dimensions noted on the chart or contact your Watlow representative if application needs exceed limitations shown.

FIREROD Diameter in.	Min. Required No-Heat Length in. (mm)	Bend Radius in. (mm)
$\frac{1}{4}$	$2\frac{1}{4}$ (56)	$\frac{1}{2}$ (13)
$\frac{3}{8}$	$2\frac{3}{8}$ (60)	$\frac{1}{2}$ (13)
$\frac{1}{2}$	$2\frac{7}{8}$ (72)	$\frac{3}{4}$ (19)
$\frac{5}{8}$	$3\frac{5}{16}$ (83)	1 (25)
$\frac{3}{4}$	$3\frac{13}{16}$ (98)	$1\frac{1}{4}$ (32)

Mounting Options

Brass Threaded Fittings

Threaded fittings allow fast, water-tight installation of the heater into a threaded hole. Double threaded fittings are also available.

Please see page 33 for threaded fitting specifications.

Cartridge/Insertion Heaters

**EXTENDED
CAPABILITY**

Extended Capabilities For High-Temperature (HT) FIREROD® Heaters

The Watlow HT FIREROD heater is especially designed for high temperature platen applications up to 1600°F (871°C). The HT FIREROD heater utilizes the same industry leading design principles used on all Watlow FIREROD products. Advancing the FIREROD heater enables it to withstand application temperatures up to 400°F (204°C) higher than standard cartridge heaters.

HT FIREROD design features, which are important in high temperature applications, include:

- A specially constructed end seal that is virtually airtight to reduce the effects of resistance wire oxidation
- A high-temperature sheath that is treated to improve its emissivity for better heat transfer

Performance Capabilities

- Platen temperatures up to 1600°F (871°C)
- Maximum watt density up to 100 W/in² (15.5 W/cm²)
- Maximum voltage up to 277VAC ground
- Length tolerance of +0, -4 percent standard diameters; +0, -8 percent for special diameter

Made-to-Order Availability

Nominal Diameter in.	Actual Diameter in.	Max. Amperes
1/2	0.496 ± 0.004	10
5/8	0.580 ± 0.004	23
	0.621 ± 0.004	23
3/4	0.710 ± 0.004	46
	0.746 ± 0.004	46
1	0.960 ± 0.004	46
	0.996 ± 0.006	46

Contact your Watlow representative for special diameter requests.

Features and Benefits

High-temperature seal

- Reduces exposure to the atmosphere, which minimizes oxidation of the winding wires resulting in longer element life

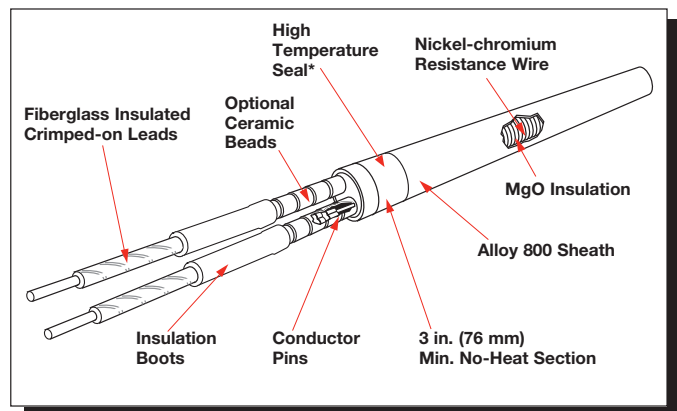
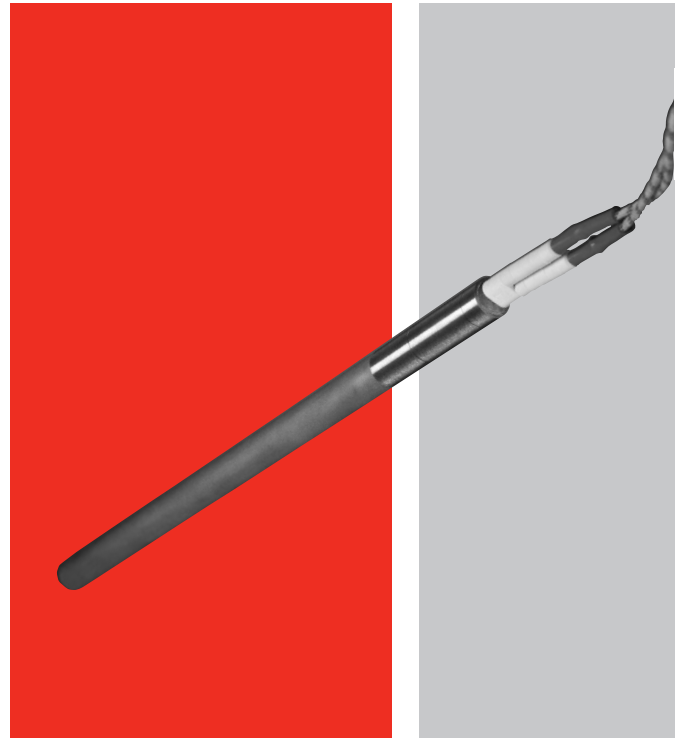
Note: The first 2 in. (51 mm) must be outside of the platen in free air and less than 1000°F (538°C).

Alloy 800 sheath

- Transfers heat more efficiently

High emissivity sheath

- Provides better heat transfer and longer life



* First 2 in. (51 mm) at lead end must be kept below 1000°F (538°C).

Typical Applications

- Thermo plastic
- Super plastic forming of titanium aircraft parts
- Diffusion bonding to laminate and shape titanium

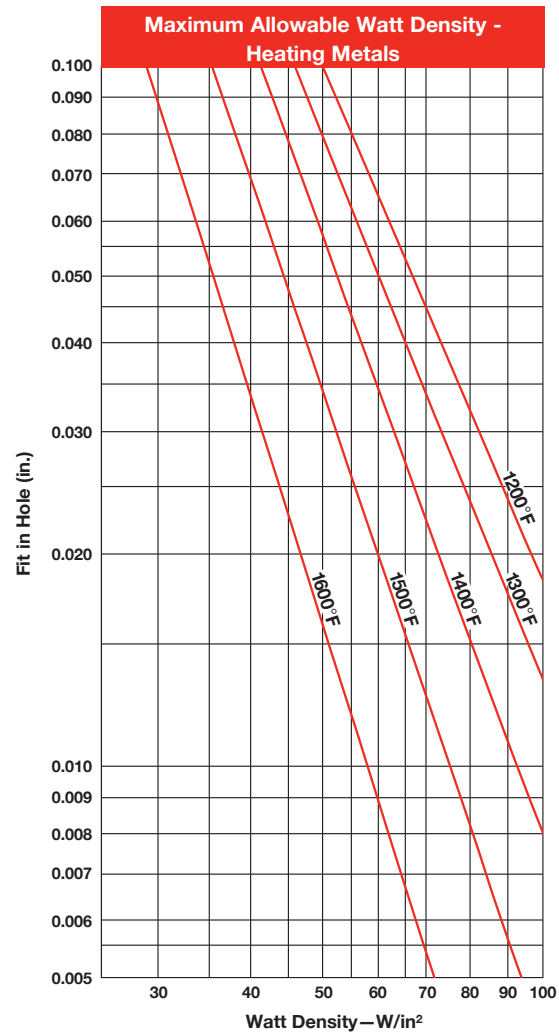
Extended Capabilities For High-Temperature (HT) FIREROD Heaters

Applications and Technical Data

Options

- Thermocouples
- Independently controllable heat zones
- Distributed wattage
- Flanges
- Post terminals
- Conduit NEMA boxes
- Bent FIREROD

To consider the HT FIREROD for your application, use the recommended *Maximum Watt Density graph* shown.



Cartridge/Insertion Heaters

FIREROD Cartridge Heaters

Heater Part Numbers

Diameter in.	Sheath Length in. (mm)	Volts	Watts	Watt Density W/in ² (W/cm ²)	Approx. Net Wt. lbs (kg)	Part Number
1/8	1 (25.0)	24	20	104 (16)	0.02 (0.009)	C1A-9600 ^①
	1 (25.0)	24	25	130 (20)	0.02 (0.009)	C1A-9601 ^①
	1 (25.0)	24	30	157 (24)	0.02 (0.009)	C1A-9602 ^①
	1 (25.0)	48	20	104 (16)	0.02 (0.009)	C1A-9603 ^①
	1 (25.0)	48	40	208 (32)	0.02 (0.009)	C1A-9604 ^①
	1 (25.0)	50	50	260 (40)	0.02 (0.009)	C1A-9605 ^①
	1 1/4 (32.0)	120	25	87 (13)	0.02 (0.009)	C1E14
	1 1/4 (32.0)	120	50	174 (18)	0.02 (0.009)	C1E13
	1 1/4 (32.0)	240	35	113 (27)	0.02 (0.009)	C1E42
	1 1/2 (38.0)	120	30	78 (12)	0.02 (0.009)	C1J5
	1 1/2 (38.0)	120	60	156 (24)	0.02 (0.009)	C1J6
	2 (51.0)	120	50	87 (13)	0.02 (0.009)	C2A4
	2 (51.0)	120	100	174 (27)	0.02 (0.009)	C2A5
	1/4	1 (25.0)	120	80	208 (32)	0.02 (0.009)
1 (25.0)		120	100	260 (40)	0.02 (0.009)	E1A52
1 (25.0)		120	150	390 (60)	0.02 (0.009)	E1A53
1 (25.0)		240	100	250 (39)	0.02 (0.009)	E1A66
1 1/4 (32.0)		120	75	130 (20)	0.02 (0.009)	E1E41
1 1/4 (32.0)		120	100	173 (27)	0.02 (0.009)	E1E42
1 1/4 (32.0)		120	150	260 (40)	0.02 (0.009)	E1E43
1 1/4 (32.0)		240	225	390 (60)	0.02 (0.009)	E1E61
1 1/2 (38.0)		120	50	65 (10)	0.02 (0.009)	E1J39
1 1/2 (38.0)		120	100	130 (20)	0.02 (0.009)	E1J40
1 1/2 (38.0)		120	150	195 (30)	0.02 (0.009)	E1J41
1 1/2 (38.0)		240	175	228 (35)	0.02 (0.009)	E1J49
1 1/2 (38.0)		120	200	260 (40)	0.02 (0.009)	E1J42
1 1/2 (38.0)		240	200	260 (40)	0.02 (0.009)	E1J52
1 1/2 (38.0)		240	250	325 (50)	0.02 (0.009)	E1J35
2 (51.0)		120	80	68 (11)	0.03 (0.014)	E2A136
2 (51.0)		120	100	87 (13)	0.03 (0.014)	E2A55
2 (51.0)		240	125	108 (17)	0.03 (0.014)	E2A82
2 (51.0)		120	150	130 (20)	0.03 (0.014)	E2A56
2 (51.0)		240	150	130 (20)	0.03 (0.014)	E2A77
2 (51.0)		120	200	173 (27)	0.03 (0.014)	E2A57
2 (51.0)		240	200	173 (27)	0.03 (0.014)	E2A50
2 (51.0)		120	250	217 (33)	0.03 (0.014)	E2A72
2 (51.0)		240	250	215 (33)	0.03 (0.014)	E2A76
2 (51.0)		240	300	260 (40)	0.03 (0.014)	E2A83
2 1/2 (64.0)		120	250	159 (25)	0.03 (0.014)	E2J80
2 1/2 (64.0)		240	250	159 (25)	0.03 (0.014)	E2J49
3 (76.0)		120	100	52 (8)	0.04 (0.018)	E3A48
3 (76.0)		120	200	104 (16)	0.04 (0.018)	E3A49
3 (76.0)		240	200	104 (16)	0.04 (0.018)	E3A60
3 (76.0)		240	250	128 (20)	0.04 (0.018)	E3A124
3 (76.0)		120	300	156 (24)	0.04 (0.018)	E3A50
3 (76.0)		240	300	156 (24)	0.04 (0.018)	E3A51
4 (102.0)		120	100	37 (6)	0.04 (0.018)	E4A28
4 (102.0)		120	200	74 (11)	0.04 (0.018)	E4A29
4 (102.0)		240	200	74 (11)	0.04 (0.018)	E4A32
4 (102.0)		120	300	111 (17)	0.04 (0.018)	E4A30
4 (102.0)		240	300	111 (17)	0.04 (0.018)	E4A6

CONTINUED

RAPID SHIP heaters are manufactured to standard specifications. 12 inch crimped on GGS leads supplied unless otherwise specified.

^①12 inch GGS swaged-in leads, no additional options available.

RAPID SHIP

• Next day shipment

Cartridge/Insertion Heaters

FIREROD Cartridge Heaters

Heater Part Numbers

Diameter in.	Sheath Length		Volts	Watts	Watt Density		Approx. Net Wt.		Part Number
	in.	(mm)			W/in ²	(W/cm ²)	lbs	(kg)	
1/4	4 1/2	(114.0)	120	200	64	(10)	0.05	(0.023)	E4J30
	5	(127.0)	240	350	101	(16)	0.05	(0.023)	E5A45
	5	(127.0)	120	400	113	(18)	0.05	(0.023)	E5A57
	5	(127.0)	240	400	113	(18)	0.05	(0.023)	E5A34
	6	(152.0)	240	400	94	(14)	0.06	(0.027)	E6A46
	8	(203.0)	240	800	136	(21)	0.08	(0.036)	E8A76
3/8	1	(25.0)	120	55	95	(15)	0.03	(0.014)	G1A71
	1	(25.0)	120	100	172	(26)	0.03	(0.014)	G1A29
	1	(25.0)	120	150	259	(40)	0.03	(0.014)	G1A38
	1	(25.0)	240	200	344	(53)	0.03	(0.014)	G1A83
	1 1/4	(32.0)	120	100	115	(18)	0.03	(0.014)	G1E91
	1 1/4	(32.0)	120	125	144	(22)	0.03	(0.014)	G1E74
	1 1/4	(32.0)	120	150	172	(27)	0.03	(0.014)	G1E92
	1 1/4	(32.0)	240	150	172	(27)	0.03	(0.014)	G1E93
	1 1/4	(32.0)	120	200	230	(35)	0.03	(0.014)	G1E94
	1 1/4	(32.0)	240	200	230	(35)	0.03	(0.014)	G1E95
	1 1/4	(32.0)	120	400	426	(66)	0.03	(0.014)	G1E99
	1 1/2	(38.0)	120	50	43	(7)	0.04	(0.018)	G1J25
	1 1/2	(38.0)	120	75	65	(10)	0.04	(0.018)	G1J70
	1 1/2	(38.0)	120	80	68	(11)	0.04	(0.018)	G1J66
	1 1/2	(38.0)	120	100	86	(13)	0.04	(0.018)	G1J59
	1 1/2	(38.0)	240	100	86	(13)	0.04	(0.018)	G1J110
	1 1/2	(38.0)	240	125	106	(16)	0.04	(0.018)	G1J182
	1 1/2	(38.0)	120	150	129	(20)	0.04	(0.018)	G1J31
	1 1/2	(38.0)	240	150	129	(20)	0.04	(0.018)	G1J39
	1 1/2	(38.0)	120	200	173	(27)	0.04	(0.018)	G1J85
	1 1/2	(38.0)	240	200	173	(27)	0.04	(0.018)	G1J73
	1 1/2	(38.0)	120	250	216	(33)	0.04	(0.018)	G1J86
	1 1/2	(38.0)	240	250	216	(33)	0.04	(0.018)	G1J54
	1 3/4	(45.0)	120	125	86	(13)	0.05	(0.023)	G1N45
	1 3/4	(45.0)	120	175	122	(19)	0.05	(0.023)	G1N46
	1 3/4	(45.0)	120	250	172	(27)	0.05	(0.023)	G1N43
	1 3/4	(45.0)	240	250	172	(27)	0.05	(0.023)	G1N32
	2	(51.0)	120	50	29	(5)	0.06	(0.027)	G2A53
	2	(51.0)	120	75	42	(7)	0.06	(0.027)	G2A192
	2	(51.0)	120	100	57	(9)	0.06	(0.027)	G2A84
	2	(51.0)	240	100	57	(9)	0.06	(0.027)	G2A76
	2	(51.0)	120	150	86	(13)	0.06	(0.027)	G2A56
	2	(51.0)	240	150	86	(13)	0.06	(0.027)	G2A81
	2	(51.0)	120	200	115	(18)	0.06	(0.027)	G2A127
	2	(51.0)	240	200	115	(18)	0.06	(0.027)	G2A37
	2	(51.0)	120	250	144	(22)	0.06	(0.027)	G2A47
	2	(51.0)	240	250	144	(22)	0.06	(0.027)	G2A73
	2	(51.0)	120	300	172	(27)	0.06	(0.027)	G2A139
	2	(51.0)	240	300	172	(27)	0.06	(0.027)	G2A98
	2	(51.0)	120	400	230	(36)	0.06	(0.027)	G2A153
	2	(51.0)	240	400	230	(36)	0.06	(0.027)	G2A146
	2	(51.0)	120	500	282	(44)	0.06	(0.027)	G2A95
2	(51.0)	240	500	282	(44)	0.06	(0.027)	G2A97	
2 1/4	(57.0)	120	75	37	(6)	0.07	(0.032)	G2E88	
2 1/4	(57.0)	120	125	62	(10)	0.07	(0.032)	G2E89	

CONTINUED

RAPID SHIP heaters are manufactured to standard specifications. 12 inch crimped on GGS leads supplied unless otherwise specified.

RAPID SHIP

• Next day shipment

Cartridge/Insertion Heaters

FIREROD Cartridge Heaters

Heater Part Numbers

Diameter in.	Sheath Length		Volts	Watts	Watt Density		Approx. Net Wt.		Part Number
	in.	(mm)			W/in ²	(W/cm ²)	lbs	(kg)	
3/8	2 1/4	(57.0)	240	125	62	(10)	0.07	(0.032)	G2E138
	2 1/4	(57.0)	240	150	73	(11)	0.07	(0.032)	G2E68
	2 1/4	(57.0)	120	175	86	(13)	0.07	(0.032)	G2E90
	2 1/4	(57.0)	120	250	123	(19)	0.07	(0.032)	G2E2
	2 1/4	(57.0)	240	250	123	(19)	0.07	(0.032)	G2E78
	2 1/4	(57.0)	120	300	148	(23)	0.07	(0.032)	G2E108
	2 1/4	(57.0)	240	300	148	(23)	0.07	(0.032)	G2E12
	2 1/4	(57.0)	120	350	173	(27)	0.07	(0.032)	G2E91
	2 1/4	(57.0)	240	350	173	(27)	0.07	(0.032)	G2E75
	2 1/2	(64.0)	120	200	87	(13)	0.07	(0.032)	G2J110
	2 1/2	(64.0)	240	200	87	(13)	0.07	(0.032)	G2J81
	2 1/2	(64.0)	120	250	108	(17)	0.07	(0.032)	G2J46
	2 1/2	(64.0)	240	250	108	(17)	0.07	(0.032)	G2J80
	2 1/2	(64.0)	120	300	130	(20)	0.07	(0.032)	G2J118
	2 1/2	(64.0)	240	300	130	(20)	0.07	(0.032)	G2J119
	2 1/2	(64.0)	120	400	174	(27)	0.07	(0.032)	G2J26
	2 1/2	(64.0)	240	400	174	(27)	0.07	(0.032)	G2J146
	2 1/2	(64.0)	120	500	216	(33)	0.07	(0.032)	G2J109
	2 1/2	(64.0)	240	500	216	(33)	0.07	(0.032)	G2J52
	3	(76.0)	120	100	34	(5)	0.08	(0.036)	G3A55
	3	(76.0)	240	100	34	(5)	0.08	(0.036)	G3A137
	3	(76.0)	120	150	52	(8)	0.08	(0.036)	G3A121
	3	(76.0)	120	200	69	(11)	0.08	(0.036)	G3A61
	3	(76.0)	240	200	69	(11)	0.08	(0.036)	G3A39
	3	(76.0)	120	250	86	(13)	0.08	(0.036)	G3A52
	3	(76.0)	240	250	86	(13)	0.08	(0.036)	G3A54
	3	(76.0)	120	300	104	(16)	0.08	(0.036)	G3A73
	3	(76.0)	240	300	104	(16)	0.08	(0.036)	G3A92
	3	(76.0)	120	400	138	(21)	0.08	(0.036)	G3A44
	3	(76.0)	240	400	138	(21)	0.08	(0.036)	G3A65
	3	(76.0)	120	500	173	(27)	0.08	(0.036)	G3A119
	3	(76.0)	240	500	173	(27)	0.08	(0.036)	G3A120
	3	(76.0)	240	600	208	(32)	0.08	(0.036)	G3A133
3 1/2	(89.0)	120	250	72	(11)	0.09	(0.041)	G3J77	
3 1/2	(89.0)	240	250	72	(11)	0.09	(0.041)	G3J65	
3 1/2	(89.0)	120	300	87	(13)	0.09	(0.041)	G3J87	
3 1/2	(89.0)	240	300	87	(13)	0.09	(0.041)	G3J68	
3 1/2	(89.0)	120	500	144	(22)	0.09	(0.041)	G3J22	
3 1/2	(89.0)	240	500	144	(22)	0.09	(0.041)	G3J63	
4	(102.0)	120	125	31	(5)	0.09	(0.041)	G4A54	
4	(102.0)	240	125	31	(5)	0.09	(0.041)	G4A163	
4	(102.0)	120	150	37	(6)	0.09	(0.041)	G4A78	
4	(102.0)	120	175	43	(7)	0.09	(0.041)	G4A191	
4	(102.0)	120	250	62	(10)	0.09	(0.041)	G4A40	
4	(102.0)	240	250	62	(10)	0.09	(0.041)	G4A87	
4	(102.0)	120	300	74	(11)	0.09	(0.041)	G4A94	
4	(102.0)	240	300	74	(11)	0.09	(0.041)	G4A95	
4	(102.0)	120	400	99	(15)	0.09	(0.041)	G4A48	
4	(102.0)	240	400	99	(15)	0.09	(0.041)	G4A44	
4	(102.0)	240	450	109	(17)	0.09	(0.041)	G4A64	
4	(102.0)	120	500	123	(19)	0.09	(0.041)	G4A96	
4	(102.0)	240	500	123	(19)	0.09	(0.041)	G4A92	

CONTINUED

RAPID SHIP heaters are manufactured to standard specifications. 12 inch crimped on GGS leads supplied unless otherwise specified.

RAPID SHIP

• Next day shipment

Cartridge/Insertion Heaters

FIREROD Cartridge Heaters

Heater Part Numbers

Diameter in.	Sheath Length		Volts	Watts	Watt Density		Approx. Net Wt.		Part Number
	in.	(mm)			W/in ²	(W/cm ²)	lbs	(kg)	
3/8	4	(102.0)	120	550	134	(21)	0.09	(0.041)	G4A200
	4 1/4	(108.0)	240	300	67	(10)	0.09	(0.041)	G4E25
	4 1/4	(108.0)	240	750	167	(26)	0.09	(0.041)	G4E15
	4 1/2	(114.0)	120	300	65	(10)	0.10	(0.045)	G4J54
	4 1/2	(114.0)	240	300	65	(10)	0.10	(0.045)	G4J33
	4 1/2	(114.0)	120	500	108	(17)	0.10	(0.045)	G4J55
	4 1/2	(114.0)	240	500	108	(17)	0.10	(0.045)	G4J37
	5	(127.0)	120	150	29	(4)	0.11	(0.050)	G5A68
	5	(127.0)	240	150	29	(4)	0.11	(0.050)	G5A56
	5	(127.0)	120	300	58	(9)	0.11	(0.050)	G5A69
	5	(127.0)	240	300	58	(9)	0.11	(0.050)	G5A70
	5	(127.0)	120	500	96	(15)	0.11	(0.050)	G5A38
	5	(127.0)	240	500	96	(15)	0.11	(0.050)	G5A71
	5	(127.0)	240	750	144	(22)	0.11	(0.050)	G5A67
	5	(127.0)	240	1000	192	(30)	0.11	(0.050)	G5A115
	5 1/4	(133.0)	240	200	45	(7)	0.12	(0.054)	G5E16
	5 1/2	(140.0)	240	600	104	(16)	0.12	(0.054)	G5J36
	5 1/2	(140.0)	240	1000	173	(27)	0.12	(0.054)	G5J45
	6	(152.0)	120	200	31	(5)	0.13	(0.059)	G6A80
	6	(152.0)	120	250	39	(6)	0.13	(0.059)	G6A40
	6	(152.0)	240	250	39	(6)	0.13	(0.059)	G6A92
	6	(152.0)	120	400	63	(10)	0.13	(0.059)	G6A81
	6	(152.0)	240	400	63	(10)	0.13	(0.059)	G6A82
	6	(152.0)	120	500	79	(12)	0.13	(0.059)	G6A125
	6	(152.0)	240	500	79	(12)	0.13	(0.059)	G6A59
	6	(152.0)	120	600	94	(15)	0.13	(0.059)	G6A56
	6	(152.0)	240	600	94	(15)	0.13	(0.059)	G6A51
	6	(152.0)	240	750	117	(18)	0.13	(0.059)	G6A46
	6	(152.0)	240	1000	157	(24)	0.13	(0.059)	G6A83
	6 1/2	(165.0)	240	600	86	(13)	0.14	(0.064)	G6J23
	6 1/2	(165.0)	240	1000	144	(22)	0.14	(0.064)	G6J33
	7	(178.0)	120	250	33	(5)	0.14	(0.064)	G7A40
	7	(178.0)	240	250	33	(5)	0.14	(0.064)	G7A32
	7	(178.0)	240	500	65	(10)	0.14	(0.064)	G7A30
	7	(178.0)	120	600	80	(12)	0.14	(0.064)	G7A41
	7	(178.0)	240	600	80	(12)	0.14	(0.064)	G7A42
	7	(178.0)	240	1000	133	(21)	0.14	(0.064)	G7A43
	7 1/2	(191.0)	240	600	74	(11)	0.15	(0.068)	G7J27
	7 1/2	(191.0)	240	1000	124	(19)	0.15	(0.068)	G7J28
	8	(203.0)	120	300	34	(5)	0.16	(0.073)	G8A54
	8	(203.0)	240	300	34	(5)	0.16	(0.073)	G8A47
	8	(203.0)	120	400	45	(7)	0.16	(0.073)	G8A109
	8	(203.0)	120	500	58	(9)	0.16	(0.073)	G8A81
	8	(203.0)	240	500	58	(9)	0.16	(0.073)	G8A32
	8	(203.0)	120	600	69	(11)	0.16	(0.073)	G8A53
8	(203.0)	240	600	69	(11)	0.16	(0.073)	G8A37	
8	(203.0)	240	700	79	(12)	0.16	(0.073)	G8A98	
8	(203.0)	240	1000	115	(18)	0.16	(0.073)	G8A45	
9	(229.0)	240	1000	100	(16)	0.18	(0.082)	G9A37	
9 1/2	(241.0)	240	600	57	(9)	0.19	(0.086)	G9J20	
9 1/2	(241.0)	240	1000	96	(15)	0.19	(0.086)	G9J12	
10	(254.0)	120	400	36	(6)	0.19	(0.086)	G10A48	

CONTINUED

RAPID SHIP heaters are manufactured to standard specifications. 12 inch crimped on GGS leads supplied unless otherwise specified.

RAPID SHIP

• Next day shipment

Cartridge/Insertion Heaters

FIREROD Cartridge Heaters

Heater Part Numbers

Diameter in.	Sheath Length		Volts	Watts	Watt Density		Approx. Net Wt.		Part Number
	in.	(mm)			W/in ²	(W/cm ²)	lbs	(kg)	
3/8	10	(254.0)	120	600	54	(8)	0.19	(0.086)	G10A35
	10	(254.0)	240	600	54	(8)	0.19	(0.086)	G10A31
	10	(254.0)	240	1000	91	(14)	0.19	(0.086)	G10A32
	12	(305.0)	120	400	30	(5)	0.22	(0.100)	G12A45
	12	(305.0)	120	600	45	(7)	0.22	(0.100)	G12A29
	12	(305.0)	240	600	45	(7)	0.22	(0.100)	G12A46
1/2	12	(305.0)	240	1000	75	(12)	0.22	(0.100)	G12A47
	1	(25.0)	120	50	65	(10)	0.06	(0.027)	J1A30
	1	(25.0)	120	150	193	(30)	0.06	(0.027)	J1A31
	1 1/4	(32.0)	120	50	43	(7)	0.07	(0.032)	J1E50
	1 1/4	(32.0)	120	125	107	(17)	0.07	(0.032)	J1E51
	1 1/4	(32.0)	240	125	107	(17)	0.07	(0.032)	J1E58
	1 1/4	(32.0)	240	200	172	(27)	0.07	(0.032)	J1E52
	1 1/4	(32.0)	240	250	212	(33)	0.07	(0.032)	J1E88
	1 1/2	(38.0)	120	50	32	(3)	0.08	(0.036)	J1J47
	1 1/2	(38.0)	120	150	97	(15)	0.08	(0.036)	J1J48
	1 1/2	(38.0)	240	150	97	(15)	0.08	(0.036)	J1J96
	1 1/2	(38.0)	120	200	128	(20)	0.08	(0.036)	J1J59
	1 1/2	(38.0)	240	200	128	(20)	0.08	(0.036)	J1J38
	2	(51.0)	120	75	32	(5)	0.09	(0.041)	J2A80
	2	(51.0)	120	200	86	(13)	0.09	(0.041)	J2A49
	2	(51.0)	240	200	86	(13)	0.09	(0.041)	J2A75
	2	(51.0)	120	250	108	(17)	0.09	(0.041)	J2A85
	2	(51.0)	240	250	108	(17)	0.09	(0.041)	J2A71
	2	(51.0)	120	300	128	(20)	0.09	(0.041)	J2A95
	2	(51.0)	240	300	128	(20)	0.09	(0.041)	J2A96
	2	(51.0)	120	400	171	(27)	0.09	(0.041)	J2A81
	2	(51.0)	240	400	171	(27)	0.09	(0.041)	J2A82
	2 1/4	(57.0)	120	75	28	(4)	0.10	(0.045)	J2E86
	2 1/4	(57.0)	120	125	46	(7)	0.10	(0.045)	J2E87
	2 1/4	(57.0)	120	250	92	(14)	0.10	(0.045)	J2E56
	2 1/4	(57.0)	240	250	92	(14)	0.10	(0.045)	J2E69
	2 1/4	(57.0)	120	400	147	(22)	0.10	(0.045)	J2E114
	2 1/4	(57.0)	240	400	147	(22)	0.10	(0.045)	J2E115
	2 1/4	(57.0)	120	500	184	(29)	0.10	(0.045)	J2E64
	2 1/4	(57.0)	240	500	184	(29)	0.10	(0.045)	J2E88
	2 1/2	(64.0)	120	100	32	(5)	0.11	(0.050)	J2J67
	2 1/2	(64.0)	240	100	32	(5)	0.11	(0.050)	J2J57
	2 1/2	(64.0)	120	250	81	(13)	0.11	(0.050)	J2J68
	2 1/2	(64.0)	240	250	81	(13)	0.11	(0.050)	J2J69
	2 1/2	(64.0)	120	300	96	(15)	0.11	(0.050)	J2J109
	2 1/2	(64.0)	240	300	96	(15)	0.11	(0.050)	J2J110
	2 1/2	(64.0)	120	400	128	(20)	0.11	(0.050)	J2J81
	2 1/2	(64.0)	240	400	128	(20)	0.11	(0.050)	J2J82
	2 1/2	(64.0)	120	500	161	(24)	0.11	(0.050)	J2J66
	2 1/2	(64.0)	240	500	161	(24)	0.11	(0.050)	J2J70
	2 3/4	(70.0)	240	400	115	(18)	0.11	(0.050)	J2N43
	2 3/4	(70.0)	120	400	115	(18)	0.11	(0.050)	J2N45
3	(76.0)	120	125	32	(5)	0.12	(0.054)	J3A108	
3	(76.0)	240	125	32	(5)	0.12	(0.054)	J3A109	
3	(76.0)	120	250	64	(10)	0.12	(0.054)	J3A107	
3	(76.0)	240	250	64	(10)	0.12	(0.054)	J3A89	
3	(76.0)	120	300	78	(12)	0.12	(0.054)	J3A65	

CONTINUED

RAPID SHIP heaters are manufactured to standard specifications. 12 inch crimped on GGS leads supplied unless otherwise specified.

RAPID SHIP

• Next day shipment

Cartridge/Insertion Heaters

FIREROD Cartridge Heaters

Heater Part Numbers

Diameter in.	Sheath Length		Volts	Watts	Watt Density		Approx. Net Wt.		Part Number
	in.	(mm)			W/in ²	(W/cm ²)	lbs	(kg)	
1/2	3	(76.0)	120	350	89	(14)	0.12	(0.054)	J3A173
	3	(76.0)	240	300	78	(12)	0.12	(0.054)	J3A73
	3	(76.0)	120	400	104	(16)	0.12	(0.054)	J3A132
	3	(76.0)	240	400	104	(16)	0.12	(0.054)	J3A29
	3	(76.0)	120	500	129	(20)	0.12	(0.054)	J3A110
	3	(76.0)	240	500	129	(20)	0.12	(0.054)	J3A111
	3	(76.0)	120	600	154	(24)	0.12	(0.054)	J3A51
	3	(76.0)	240	600	154	(24)	0.12	(0.054)	J3A127
	3	(76.0)	120	750	193	(30)	0.12	(0.054)	J3A137
	3	(76.0)	240	750	193	(30)	0.12	(0.054)	J3A112
	3	(76.0)	120	1000	254	(39)	0.12	(0.054)	J3A79
	3 1/2	(89.0)	120	250	54	(8)	0.14	(0.064)	J3J44
	3 1/2	(89.0)	240	250	54	(8)	0.14	(0.064)	J3J64
	3 1/2	(89.0)	240	350	75	(12)	0.14	(0.064)	J3J65
	3 1/2	(89.0)	120	500	107	(17)	0.14	(0.064)	J3J45
	3 1/2	(89.0)	240	500	107	(17)	0.14	(0.064)	J3J46
	3 1/2	(89.0)	240	750	162	(25)	0.14	(0.064)	J3J63
	4	(102.0)	120	150	28	(4)	0.15	(0.068)	J4A117
	4	(102.0)	240	150	28	(4)	0.15	(0.068)	J4A122
	4	(102.0)	120	250	46	(7)	0.15	(0.068)	J4A118
	4	(102.0)	240	250	46	(7)	0.15	(0.068)	J4A90
	4	(102.0)	120	300	56	(9)	0.15	(0.068)	J4A63
	4	(102.0)	240	300	56	(9)	0.15	(0.068)	J4A26
	4	(102.0)	120	350	65	(10)	0.15	(0.068)	J4A1
	4	(102.0)	240	350	65	(10)	0.15	(0.068)	J4A103
	4	(102.0)	120	400	74	(11)	0.15	(0.068)	J4A139
	4	(102.0)	240	400	74	(11)	0.15	(0.068)	J4A68
	4	(102.0)	120	500	92	(14)	0.15	(0.068)	J4A16
	4	(102.0)	120	550	100	(16)	0.15	(0.068)	J4A242
	4	(102.0)	240	500	92	(14)	0.15	(0.068)	J4A92
	4	(102.0)	120	750	138	(21)	0.15	(0.068)	J4A198
	4	(102.0)	240	750	138	(21)	0.15	(0.068)	J4A119
	4	(102.0)	240	1000	184	(28)	0.15	(0.068)	J4A73
4 1/2	(114.0)	120	500	80	(12)	0.17	(0.077)	J4J69	
4 1/2	(114.0)	240	500	80	(12)	0.17	(0.077)	J4J57	
4 1/2	(114.0)	120	750	120	(19)	0.17	(0.077)	J4J70	
4 1/2	(114.0)	240	750	120	(19)	0.17	(0.077)	J4J32	
5	(127.0)	120	200	29	(4)	0.19	(0.086)	J5A85	
5	(127.0)	240	200	29	(4)	0.19	(0.086)	J5A74	
5	(127.0)	120	350	50	(8)	0.19	(0.086)	J5A86	
5	(127.0)	240	350	50	(8)	0.19	(0.086)	J5A63	
5	(127.0)	120	400	58	(9)	0.19	(0.086)	J5A98	
5	(127.0)	240	400	58	(9)	0.19	(0.086)	J5A46	
5	(127.0)	120	500	72	(11)	0.19	(0.086)	J5A52	
5	(127.0)	240	500	72	(11)	0.19	(0.086)	J5A45	
5	(127.0)	120	750	108	(17)	0.19	(0.086)	J5A121	
5	(127.0)	240	750	108	(17)	0.19	(0.086)	J5A72	
5	(127.0)	240	1000	143	(22)	0.19	(0.086)	J5A87	
5 1/2	(140.0)	240	200	25	(4)	0.20	(0.091)	J5J38	
5 1/2	(140.0)	120	500	64	(10)	0.20	(0.091)	J5J43	
5 1/2	(140.0)	240	500	64	(10)	0.20	(0.091)	J5J33	
5 1/2	(140.0)	240	650	83	(13)	0.20	(0.091)	J5J69	

CONTINUED

RAPID SHIP heaters are manufactured to standard specifications. 12 inch crimped on GGS leads supplied unless otherwise specified.

RAPID SHIP

• Next day shipment

Cartridge/Insertion Heaters

FIREROD Cartridge Heaters

Heater Part Numbers

Diameter in.	Sheath Length		Volts	Watts	Watt Density		Approx. Net Wt.		Part Number
	in.	(mm)			W/in ²	(W/cm ²)	lbs	(kg)	
1/2	5 1/2	(140.0)	120	750	97	(15)	0.20	(0.091)	J5J44
	5 1/2	(140.0)	240	750	97	(15)	0.20	(0.091)	J5J45
	5 3/4	(146.0)	120	700	86	(13)	0.20	(0.091)	J5N6
	5 3/4	(146.0)	240	700	86	(13)	0.20	(0.091)	J5N8
	6	(152.0)	120	250	29	(4)	0.21	(0.095)	J6A114
	6	(152.0)	240	250	29	(4)	0.21	(0.095)	J6A171
	6	(152.0)	240	300	35	(6)	0.21	(0.095)	J6A66
	6	(152.0)	240	350	41	(7)	0.21	(0.095)	J6A119
	6	(152.0)	120	500	59	(9)	0.21	(0.095)	J6A115
	6	(152.0)	240	500	59	(9)	0.21	(0.095)	J6A94
	6	(152.0)	120	750	88	(14)	0.21	(0.095)	J6A99
	6	(152.0)	240	750	88	(14)	0.21	(0.095)	J6A90
	6	(152.0)	120	1000	117	(18)	0.21	(0.095)	J6A53
	6	(152.0)	240	1000	117	(18)	0.21	(0.095)	J6A36
	6 1/2	(165.0)	240	500	54	(8)	0.23	(0.104)	J6J45
	6 1/2	(165.0)	240	1000	108	(17)	0.23	(0.104)	J6J27
	7	(178.0)	120	250	25	(4)	0.24	(0.109)	J7A79
	7	(178.0)	120	500	50	(8)	0.24	(0.109)	J7A80
	7	(178.0)	240	500	50	(8)	0.24	(0.109)	J7A57
	7	(178.0)	120	600	60	(9)	0.24	(0.109)	J7A50
	7	(178.0)	240	600	60	(9)	0.24	(0.109)	J7A95
	7	(178.0)	240	1000	99	(15)	0.24	(0.109)	J7A81
	7 1/2	(191.0)	240	500	46	(7)	0.26	(0.118)	J7J25
	7 1/2	(191.0)	240	1000	92	(14)	0.26	(0.118)	J7J26
	8	(203.0)	120	300	26	(4)	0.28	(0.127)	J8A71
	8	(203.0)	240	300	26	(4)	0.28	(0.127)	J8A111
	8	(203.0)	120	500	43	(7)	0.28	(0.127)	J8A64
	8	(203.0)	240	500	43	(7)	0.28	(0.127)	J8A66
	8	(203.0)	120	1000	86	(13)	0.28	(0.127)	J8A84
	8	(203.0)	240	1000	86	(13)	0.28	(0.127)	J8A60
	8	(203.0)	240	1500	129	(20)	0.28	(0.127)	J8A100
	8	(203.0)	240	2000	172	(27)	0.28	(0.127)	J8A101
	8 1/2	(216.0)	240	300	24	(4)	0.29	(0.132)	J8J39
	8 1/2	(216.0)	240	500	40	(6)	0.29	(0.132)	J8J30
	8 1/2	(216.0)	240	1000	80	(12)	0.29	(0.132)	J8J28
	9	(229.0)	240	500	38	(6)	0.30	(0.136)	J9A35
	9	(229.0)	240	1000	76	(12)	0.30	(0.136)	J9A58
	9 1/2	(241.0)	240	500	36	(6)	0.32	(0.145)	J9J14
	9 1/2	(241.0)	240	1000	72	(11)	0.32	(0.145)	J9J12
	10	(254.0)	120	500	34	(5)	0.33	(0.150)	J10A61
	10	(254.0)	240	500	34	(5)	0.33	(0.150)	J10A62
	10	(254.0)	120	1000	68	(11)	0.33	(0.150)	J10A63
10	(254.0)	240	1000	68	(11)	0.33	(0.150)	J10A42	
10	(254.0)	240	1500	102	(16)	0.33	(0.150)	J10A33	
10	(254.0)	240	2000	136	(21)	0.33	(0.150)	J10A64	
11	(279.0)	240	1000	61	(9)	0.36	(0.163)	J11A60	
12	(305.0)	120	500	28	(4)	0.40	(0.181)	J12A63	
12	(305.0)	240	500	28	(4)	0.40	(0.181)	J12A76	
12	(305.0)	120	1000	56	(9)	0.40	(0.181)	J12A40	
12	(305.0)	240	1000	56	(9)	0.40	(0.181)	J12A49	
12	(305.0)	240	1500	84	(13)	0.40	(0.181)	J12A37	
12	(305.0)	240	2000	112	(17)	0.40	(0.181)	J12A89	
14	(356.0)	240	1000	48	(7)	0.48	(0.218)	J14A41	

CONTINUED

RAPID SHIP heaters are manufactured to standard specifications. 12 inch crimped on GGS leads supplied unless otherwise specified.

RAPID SHIP

• Next day shipment

Cartridge/Insertion Heaters

FIREROD Cartridge Heaters

Heater Part Numbers

Diameter in.	Sheath Length		Volts	Watts	Watt Density		Approx. Net Wt.		Part Number
	in.	(mm)			W/in ²	(W/cm ²)	lbs	(kg)	
1/2	14	(356.0)	240	2300	110	(17)	0.48	(0.218)	J14A39
	15	(381.0)	240	1500	66	(10)	0.50	(0.227)	J15A19
	16	(406.0)	240	1000	41	(7)	0.52	(0.236)	J16A12
	18	(457.0)	240	1500	55	(9)	0.57	(0.259)	J18A19
	18	(457.0)	240	1700	62	(9)	0.57	(0.259)	J18A23
5/8	1 1/4	(32.0)	120	50	34	(5)	0.10	(0.045)	L1E26
	1 1/4	(32.0)	120	200	137	(21)	0.10	(0.045)	L1E24
	1 1/4	(32.0)	120	250	171	(27)	0.10	(0.045)	L1E27
	1 1/2	(38.0)	120	250	128	(20)	0.11	(0.050)	L1J23
	1 1/2	(38.0)	240	250	128	(20)	0.11	(0.050)	L1J24
	2	(51.0)	120	100	34	(5)	0.13	(0.059)	L2A48
	2	(51.0)	120	200	68	(11)	0.13	(0.059)	L2A49
	2	(51.0)	240	500	170	(26)	0.13	(0.059)	L2A54
	2 1/4	(57.0)	120	100	29	(4)	0.14	(0.064)	L2E49
	2 1/4	(57.0)	120	250	73	(11)	0.14	(0.064)	L2E50
	2 1/4	(57.0)	240	250	73	(11)	0.14	(0.064)	L2E12
	2 1/4	(57.0)	120	350	103	(16)	0.14	(0.064)	L2E40
	2 1/4	(57.0)	240	350	103	(16)	0.14	(0.064)	L2E51
	3	(76.0)	120	150	31	(5)	0.20	(0.091)	L3A81
	3	(76.0)	120	250	51	(8)	0.20	(0.091)	L3A82
	3	(76.0)	240	250	51	(8)	0.20	(0.091)	L3A9
	3	(76.0)	120	400	81	(13)	0.20	(0.091)	L3A94
	3	(76.0)	120	500	102	(16)	0.20	(0.091)	L3A113
	3	(76.0)	240	500	103	(16)	0.20	(0.091)	L3A33
	3	(76.0)	240	750	154	(24)	0.20	(0.091)	L3A71
	3 3/4	(95.0)	120	525	82	(13)	0.24	(0.109)	L3N12
	3 3/4	(95.0)	240	525	82	(13)	0.24	(0.109)	L3N1
	4	(102.0)	120	250	37	(6)	0.26	(0.118)	L4A99
	4	(102.0)	240	250	37	(6)	0.26	(0.118)	L4A104
	4	(102.0)	240	400	58	(9)	0.26	(0.118)	L4A47
	4	(102.0)	240	500	73	(11)	0.26	(0.118)	L4A53
	4	(102.0)	240	600	88	(14)	0.26	(0.118)	L4A44
	4	(102.0)	240	750	110	(17)	0.26	(0.118)	L4A100
	4	(102.0)	240	1000	146	(23)	0.26	(0.118)	L4A71
	5	(127.0)	120	250	28	(4)	0.29	(0.132)	L5A76
	5	(127.0)	240	250	28	(4)	0.29	(0.132)	L5A107
	5	(127.0)	240	500	57	(9)	0.29	(0.132)	L5A24
	5	(127.0)	240	750	86	(13)	0.29	(0.132)	L5A31
	5	(127.0)	240	1000	114	(18)	0.29	(0.132)	L5A77
	6	(152.0)	120	300	28	(4)	0.34	(0.154)	L6A28
	6	(152.0)	240	300	28	(4)	0.34	(0.154)	L6A64
	6	(152.0)	240	500	47	(7)	0.34	(0.154)	L6A73
	6	(152.0)	240	750	70	(11)	0.34	(0.154)	L6A70
	6	(152.0)	240	1000	93	(14)	0.34	(0.154)	L6A71
	6	(152.0)	120	1500	139	(22)	0.34	(0.154)	L6A163
	6	(152.0)	240	1500	140	(22)	0.34	(0.154)	L6A94
	6 1/2	(165.0)	120	500	43	(7)	0.38	(0.172)	L6J43
6 1/2	(165.0)	240	500	43	(7)	0.38	(0.172)	L6J55	
7	(178.0)	120	500	39	(6)	0.40	(0.181)	L7A42	
7	(178.0)	240	500	39	(6)	0.40	(0.181)	L7A15	
7	(178.0)	240	1000	79	(12)	0.40	(0.181)	L7A37	
7	(178.0)	240	1500	118	(18)	0.40	(0.181)	L7A12	

CONTINUED

RAPID SHIP heaters are manufactured to standard specifications. 12 inch crimped on GGS leads supplied unless otherwise specified.

RAPID SHIP

• Next day shipment

Cartridge/Insertion Heaters

FIREROD Cartridge Heaters

Heater Part Numbers

Diameter in.	Sheath Length in. (mm)	Volts	Watts	Watt Density		Approx. Net Wt.		Part Number
				W/in ²	(W/cm ²)	lbs	(kg)	
5/8	8 (203.0)	120	500	34	(5)	0.47	(0.213)	L8A96
	8 (203.0)	240	500	34	(5)	0.47	(0.213)	L8A46
	8 (203.0)	240	850	58	(9)	0.47	(0.213)	L8A115
	8 (203.0)	240	1000	68	(10)	0.47	(0.213)	L8A10
	8 (203.0)	240	1500	102	(16)	0.47	(0.213)	L8A37
	8 (203.0)	240	2000	137	(21)	0.47	(0.213)	L8A80
	10 (254.0)	120	500	27	(4)	0.53	(0.240)	L10A51
	10 (254.0)	240	500	27	(4)	0.53	(0.240)	L10A40
	10 (254.0)	240	750	40	(6)	0.53	(0.240)	L10A69
	10 (254.0)	240	1000	54	(8)	0.53	(0.240)	L10A52
	10 (254.0)	480	1000	54	(8)	0.53	(0.240)	L10A193
	10 (254.0)	240	1500	81	(13)	0.53	(0.240)	L10A8
	10 (254.0)	240	2000	108	(17)	0.53	(0.240)	L10A50
	12 (305.0)	120	500	22	(3)	0.66	(0.300)	L12A81
	12 (305.0)	240	500	22	(3)	0.66	(0.300)	L12A80
	12 (305.0)	240	900	40	(6)	0.66	(0.300)	L12A102
	12 (305.0)	120	1000	45	(7)	0.66	(0.300)	L12A82
	12 (305.0)	240	1000	45	(7)	0.66	(0.300)	L12A34
	12 (305.0)	120	1500	66	(10)	0.66	(0.300)	L12A147
	12 (305.0)	240	1500	67	(10)	0.66	(0.300)	L12A39
	12 (305.0)	240	2000	89	(14)	0.66	(0.300)	L12A63
	14 (356.0)	240	3700	140	(22)	0.79	(0.358)	L14A21
	15 (381.0)	240	750	27	(4)	0.84	(0.381)	L15A35
	15 (381.0)	240	2400	84	(13)	0.84	(0.381)	L15A20
	15 (381.0)	480	2500	88	(14)	0.84	(0.381)	L15A88
	15 (381.0)	240	4000	141	(22)	0.84	(0.381)	L15A41
	16 (406.0)	240	2500	82	(13)	0.91	(0.412)	L16A33
	16 (406.0)	240	4500	148	(23)	0.91	(0.412)	L16A40
	18 (457.0)	240	1500	44	(7)	1.03	(0.467)	L18A32
	18 (457.0)	240	3000	87	(13)	1.03	(0.467)	L18A34
	18 (457.0)	240	4700	137	(21)	1.03	(0.467)	L18A36
	20 (508.0)	240	1500	40	(6)	1.25	(0.567)	L20A19
20 (508.0)	240	3500	92	(14)	1.25	(0.567)	L20A13	
20 (508.0)	480	3500	92	(14)	1.25	(0.567)	L20A96	
20 (508.0)	240	4700	123	(19)	1.25	(0.567)	L20A14	
24 (610.0)	240	2000	44	(7)	1.47	(0.667)	L24A19	
24 (610.0)	240	4700	102	(15)	1.47	(0.667)	L24A14	
36 (914.0)	240	3000	43	(7)	2.30	(1.04)	L36A8	
3/4	2 1/4 (57.0)	120	200	49	(8)	0.19	(0.086)	N2E8
	3 (76.0)	120	250	43	(7)	0.24	(0.109)	N3A11
	3 (76.0)	240	500	85	(13)	0.24	(0.109)	N3A12
	4 (102.0)	120	250	31	(5)	0.31	(0.141)	N4A16
	4 (102.0)	240	500	61	(9)	0.31	(0.141)	N4A17
	4 (102.0)	240	1000	122	(19)	0.31	(0.141)	N4A15
	5 (127.0)	120	300	28	(4)	0.38	(0.172)	N5A19
	5 (127.0)	240	500	47	(7)	0.38	(0.172)	N5A12
	5 (127.0)	240	1000	95	(15)	0.38	(0.172)	N5A20
	6 (152.0)	120	500	39	(6)	0.44	(0.200)	N6A19
	6 (152.0)	240	500	39	(6)	0.44	(0.200)	N6A20
	6 (152.0)	240	1000	78	(12)	0.44	(0.200)	N6A21
	6 (152.0)	480	1000	78	(12)	0.44	(0.200)	N6A225

CONTINUED

RAPID SHIP heaters are manufactured to standard specifications. 12 inch crimped on GGS leads supplied unless otherwise specified.

RAPID SHIP

- Next day shipment

Cartridge/Insertion Heaters

FIREROD Cartridge Heaters

Heater Part Numbers

Diameter in.	Sheath Length		Volts	Watts	Watt Density		Approx. Net Wt.		Part Number
	in.	(mm)			W/in ²	(W/cm ²)	lbsw	(kg)	
3/4	6	(152.0)	240	1500	116	(18)	0.44	(0.200)	N6A82
	6	(152.0)	240	2000	155	(24)	0.44	(0.200)	N6A22
	7	(178.0)	120	500	33	(5)	0.51	(0.231)	N7A15
	7	(178.0)	240	500	33	(5)	0.51	(0.231)	N7A1
	7	(178.0)	240	1000	66	(10)	0.51	(0.231)	N7A16
	8	(203.0)	120	500	28	(4)	0.58	(0.263)	N8A19
	8	(203.0)	240	500	28	(4)	0.58	(0.263)	N8A20
	8	(203.0)	240	1000	57	(9)	0.58	(0.263)	N8A21
	8	(203.0)	240	2000	114	(17)	0.58	(0.263)	N8A22
	10	(254.0)	240	1000	45	(7)	0.72	(0.327)	N10A15
	10	(254.0)	240	2000	90	(14)	0.72	(0.327)	N10A14
	12	(305.0)	240	1000	37	(6)	0.84	(0.381)	N12A15
	12	(305.0)	240	2000	74	(11)	0.84	(0.381)	N12A24
	12	(305.0)	480	2000	74	(11)	0.84	(0.381)	N12A198
	12	(305.0)	240	4000	148	(23)	0.84	(0.381)	N12A25
	13	(330.0)	240	1000	34	(5)	0.93	(0.422)	N13A26
	14	(356.0)	240	1250	40	(6)	1.03	(0.467)	N14A22
	14	(356.0)	240	2500	79	(12)	1.03	(0.467)	N14A20
	14	(356.0)	240	4500	142	(22)	1.03	(0.467)	N14A21
	15	(381.0)	240	1500	44	(7)	1.09	(0.494)	N15A26
	16	(406.0)	240	1800	49	(8)	1.14	(0.517)	N16A26
	16	(406.0)	240	4700	129	(20)	1.14	(0.517)	N16A18
	18	(457.0)	240	2000	49	(8)	1.25	(0.567)	N18A13
	18	(457.0)	240	5000	122	(19)	1.25	(0.567)	N18A15
	20	(508.0)	240	1150	25	(4)	1.40	(0.635)	N20A21
	20	(508.0)	240	2250	49	(8)	1.40	(0.635)	N20A22
	20	(508.0)	240	5250	115	(18)	1.40	(0.635)	N20A10
	24	(610.0)	240	1375	25	(4)	1.80	(0.816)	N24A24
	24	(610.0)	240	2750	50	(8)	1.80	(0.816)	N24A23
	24	(610.0)	480	2750	50	(8)	1.80	(0.816)	N24A78
24	(610.0)	240	5500	100	(16)	1.80	(0.816)	N24A13	
36	(914.0)	240	2500	30	(6)	2.50	(1.13)	N36A4	

RAPID SHIP heaters are manufactured to standard specifications. 12 inch crimped on GGS leads supplied unless otherwise specified.

RAPID SHIP

• Next day shipment

Cartridge/Insertion Heaters

Metric FIREROD Cartridge Heaters

The Watlow FIREROD not only sets the industry standard for cartridge heaters, but continues to make improvements in construction and design. Among those improvements is the metric FIREROD, a variation of the FIREROD cartridge heater built to meet the exact specifications of the global market.

Like its counterpart, the metric FIREROD consistently outperforms other cartridge heaters with its design solutions such as its exclusive resistance wire winding and swaging process. These processes bring the resistance wire closer to the sheath and compacts the MgO insulation to maximize heat transfer. The end result is longer service life and better efficiency.

Performance Capabilities

- Part temperatures up to 760°C (1400°F) on alloy 800 sheath
- Watt densities up to 50 W/cm² (330 W/in²)

Features and Benefits

Nickel-chromium resistance wire

- Assures even and efficient distribution of heat to the sheath because the wire is precisely wound and centered in the heater

Conductor pins

- Ensures a trouble-free electrical connection because of the metallurgical bond between the conductor pins and resistance wire

Magnesium oxide insulation of specific grain and purity

- Results in high dielectric strength and contributes to faster heat-up

Alloy 800 sheath

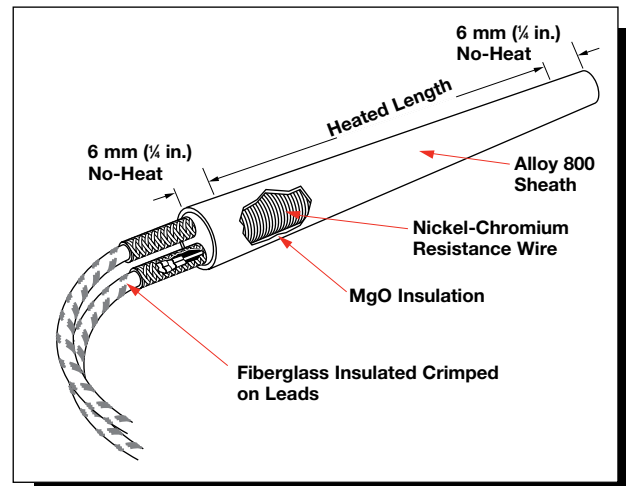
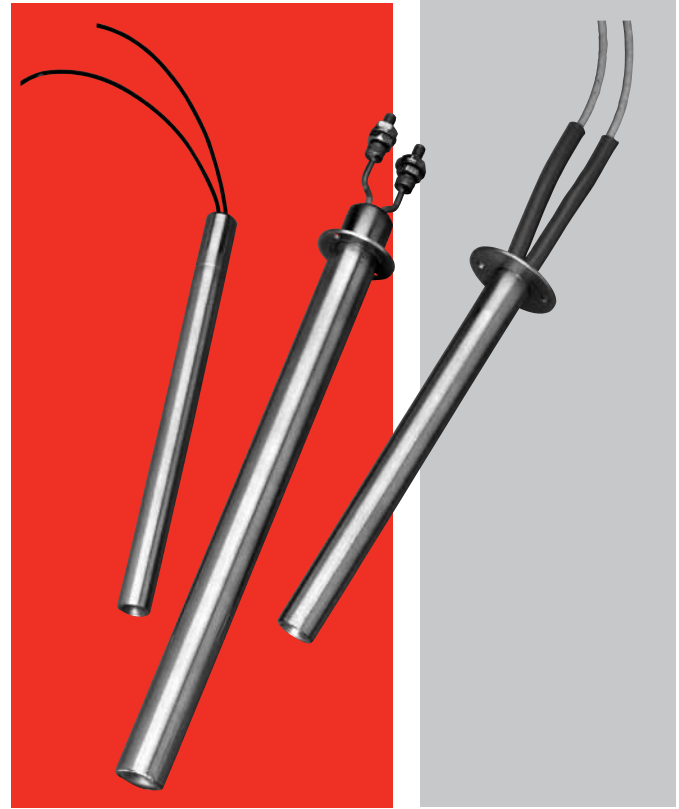
- Resists oxidation and corrosion from many chemicals, heat or atmospheres

Minimal spacing between the element wire and sheath

- Results in lower internal temperature
- Accommodates a design with fewer or smaller heaters operating at higher watt densities

UL® and CSA approved flexible stranded wires

- Insulates the wires to temperatures of 250°C (480°F)



Typical Applications

- Semiconductor chamber heating
- Semiconductor wafer lead connection
- Semiconductor wire and die bonding
- Freeze protection and deicing of equipment in cold climates or applications
- Humidity control
- Patient comfort heating used in medical devices
- Mold die and platen heating
- Seal bars used in packaging equipment
- Test sample heating in gas chromatography equipment

Cartridge/Insertion Heaters

Metric FIREROD Cartridge Heaters

Applications and Technical Data

The *Electrical Data* table will assist you in selecting the correct metric FIREROD heater for your application, according to available voltage, amperage and wattage.

Electrical Data

Heater Diameter (mm)	6.5	8	10	12.5	16	20
Nominal Diameter (in.)	0.256	0.315	0.394	0.492	0.630	0.787
Max. Voltage	250	250	250	400	480	480
Crimped on Leads						
Max. Amperes	7.2	7.2	16.1	16.1	21	21
Max. Wattage @ 230V	1650	1650	3700	3700	4830	4830
Max. Wattage @ 400V				6440	8400	8400
Swaged-in Leads						
Max. Amperes	5.2/7.2 ^①	5.2/7.2 ^①	12.6	12.6	12.6/21 ^①	21
Max. Wattage @ 230V	1190/1650	1190/1650	2890	2890	2890/4830	4830
Max. Wattage @ 400V	—	—	—	5040	5040/8400	8400

^①On certain lead constructions, maximum amperes are 5.2 or 12.6. In these instances, amperes are determined by internal construction and current carrying capacity of internal parts to the lead wire. For more information about these amperes restrictions or higher current requirements, please contact your Watlow representative.

Tolerances

Diameter: -0.02 mm, -0.08 mm (-0.0008 in., -0.0031 in.)

Length: ±2% with ±2.4 mm (±³/₃₂ in.) min.

Wattage: +10%, -5%, wattage decreases approximately 5% with temperature. Wattage tolerances are for heaters at operating temperature.

Resistance: +5%, -10%, resistance is measured at room temperature following first heater operation.

Camber: 0.25 mm (0.01 in.) max. on any length to 300 mm (12 in.). For lengths over 300 mm:

$$\frac{[\text{Heater Length (mm)}]^2}{182,900}$$

Cartridge/Insertion Heaters

Metric FIREROD Cartridge Heaters

Maximum Allowable Watt Density

The following four graphs detail maximum allowable watt densities for applications involving metal heating or steam, air and gas heating. Please review these respective graphs and applicable data to determine the correct watt density for the application.

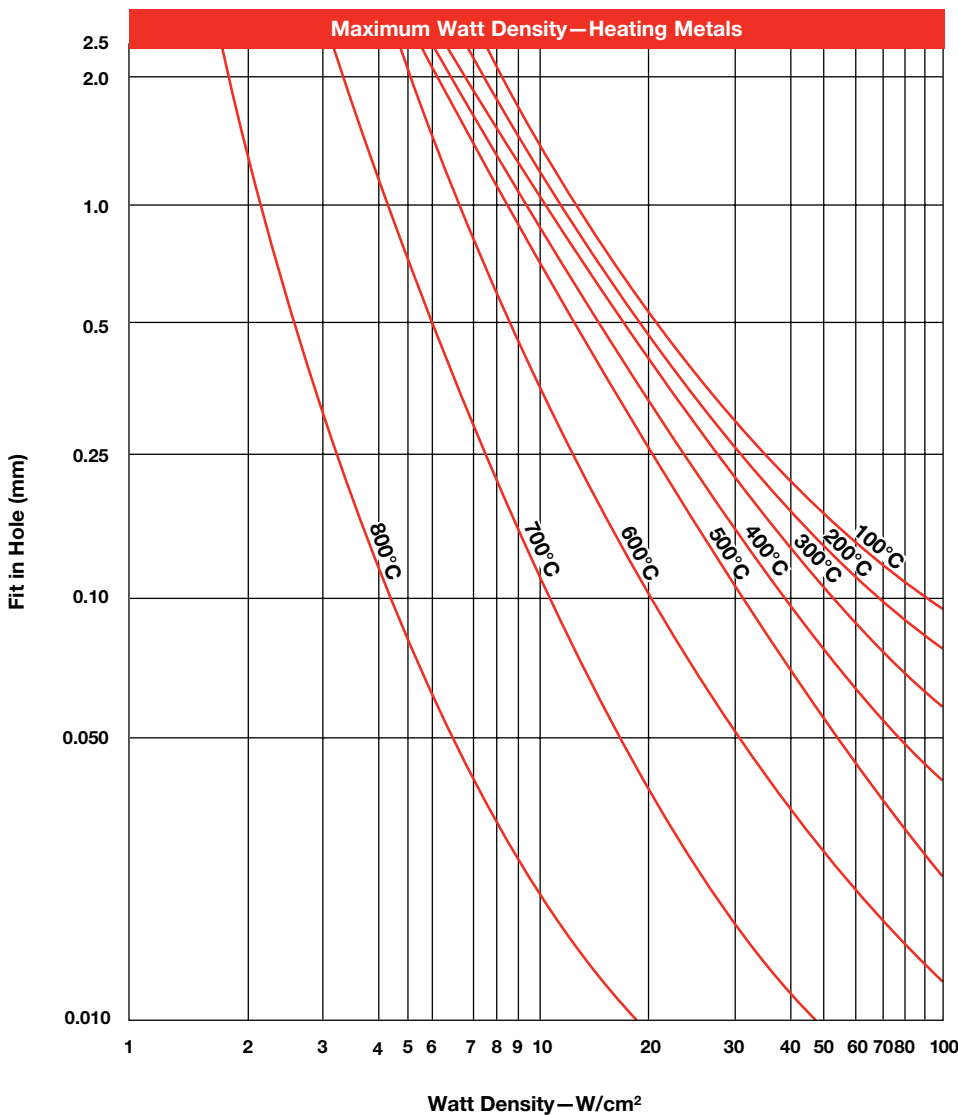
Heating Metals

The *Maximum Watt Density—Heating Metals* graph will show either the maximum hole fit or recommended watt density of the heater. Enter the chart with either known variable, part fit in hole dimension or watt density. Then, find the application temperature by reading up or over on the chart.

If the fit of the heater in the hole dimension is not known, it is easily determined. Subtract the minimum diameter of the metric FIREROD (nominal diameter minus tolerance) from the maximum hole diameter. For example, take a hole diameter of 16.1 mm minus a heater diameter of 16 mm - 0.08 mm. The hole fit would be 0.18 mm. For metric FIREROD heaters in square holes or grooves, contact your Watlow representative for fit in hole dimension.

Correction Factors:

Also note, the *Maximum Watt Density—Heating Metals* graph depicts metric FIRERODs used in steel parts. Therefore, for either stainless steel, aluminum or brass, refer to applicable correction factors ^① and ^②.



^① For SS, enter the graph with a fit 0.04 mm (0.0015 in.) larger than actual.

^② For aluminum and brass, enter the graph with a temperature 55°C (100°F) above actual temperature.

Cartridge/Insertion Heaters

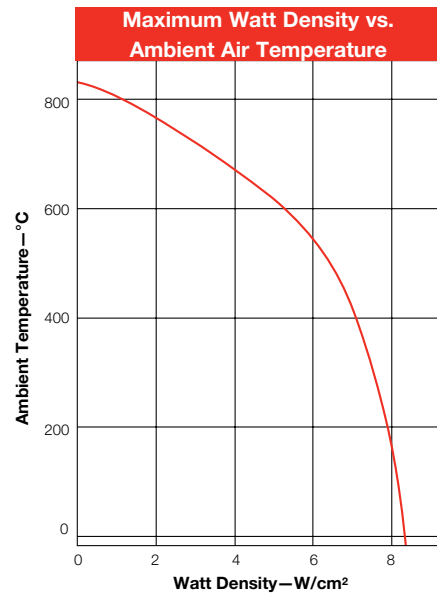
Metric FIREROD Cartridge Heaters

Maximum Allowable Watt Density (Continued)

Watt Density vs. Ambient Air

The *Watt Density vs. Ambient Air Temperature* graph shows the maximum allowable watt density when one metric FIREROD heater is operated in air or similar gas.

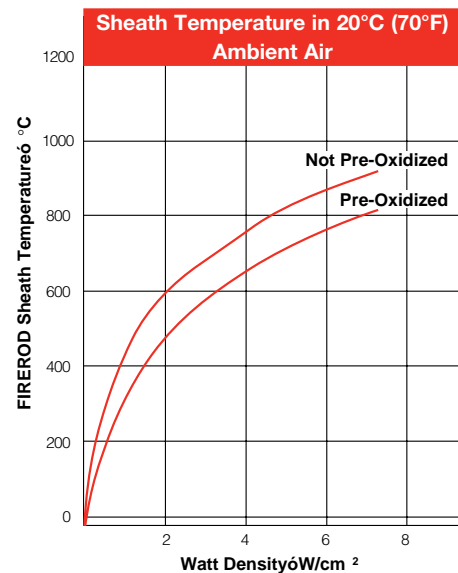
For metric FIRERODs grouped in a single row, with no less than one diameter between elements, multiply value from graph by 0.95. When a reflector is placed behind the heaters, multiply the maximum allowable watt density value from the graph by 0.85.



Sheath Temperature in Ambient Air

The *Sheath Temperature in Ambient Air* graph indicates the watt density required to bring a metric FIREROD heater to a given sheath temperature when operated in 20°C (70°F) ambient air.

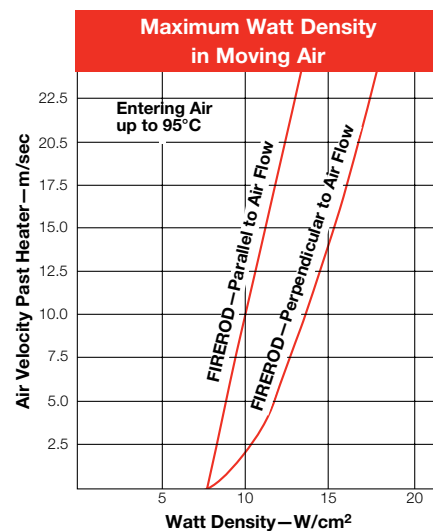
At 7 W/cm² (44 W/in²), the sheath temperature will be 790°C (1450°F). At this temperature, one year of heater life would be expected, provided cycling is not too frequent. Higher temperatures would result in reduced heater life.



Watt Density in Moving Air

The *Watt Density in Moving Air* graph gives the maximum allowable watt density of a metric FIREROD heater in moving air.

If the volumetric flow rate of air is known in m³/s (or CFM), divide this value by the net free area in m² (or ft²) around the heater to determine air flow velocity. The net free area is the total area of the enclosure minus the area occupied by the heater.

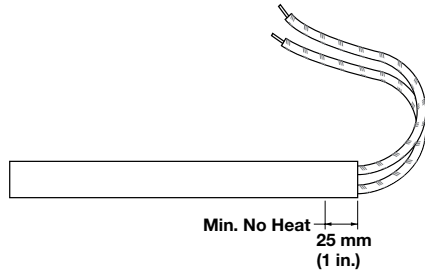


Cartridge/Insertion Heaters

Metric FIREROD Cartridge Heaters

Termination Options

Swaged-in Flexible Leads



Swaged-in flexible leads, with silicone-fiberglass insulation, are recommended for applications in which the leads must be bent at the exit point from the heater. Unless longer length is specified, 250 mm (10 in.) leads are supplied.

Heaters 150 mm (6 in.) or shorter generally have a 6 mm (1/4 in.) no-heat section. Heaters up to 250 mm (10 in.) require a 25 mm (1 in.) no-heat section. Heaters greater than 250 mm may require more than a 25 mm no-heat section. To order, please specify **swaged-in flexible leads**.

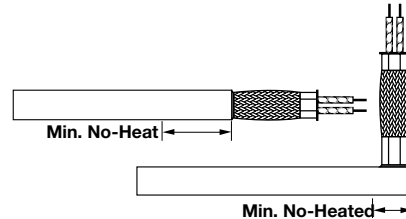
Right Angle Leads



Right angle leads are used in applications with a high degree of flexing and when space limitations are critical. Lead wires exit at a 90° angle through the side of the heater sheath. Right angle tube may be necessary on certain constructions. To order, specify **right angle leads** and lead length.

Metric FIREROD Diameter mm	Min No-Heat Length mm (in.)
6.5	15 (9/16)
8.0	15 (9/16)
10.0	17 (2/3)
12.5	18 (11/16)
16.0	20 (3/4)
20.0	21 (13/16)

Stainless Steel Braid



A stainless steel braid is designed to protect leads from abrasion against sharp edges. It is the most flexible of Watlow's protective lead arrangements.

When the leads exit straight out, the braid is swaged into the no-heat section of the heater. When the leads exit at a right angle, a crimp connector is used to attach the braids.

Unless otherwise specified, leads are 250 mm (10 in.) and the braid is 200 mm (8 in.) long. To order, specify either **straight or right angle stainless steel braid**, lead length and no-heat section.

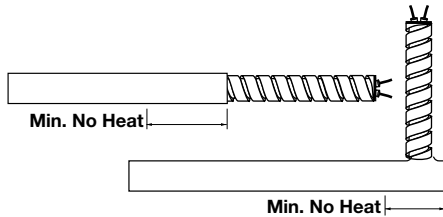
Metric FIREROD Diameter mm	Min. No-Heat Length	
	Straight mm (in.)	Right Angle mm (in.)
6.5	30 (1 1/8)	N/A
8.0	30 (1 1/8)	15 (9/16)
10.0	30 (1 1/8)	17 (2/3)
12.5	30 (1 1/8)	18 (1 1/16)
16.0	30 (1 1/8)	20 (3/4)
20.0	30 (1 1/8)	21 (1 3/16)

Cartridge/Insertion Heaters

Metric FIREROD Cartridge Heaters

Termination Options (Continued)

Stainless Steel Hose

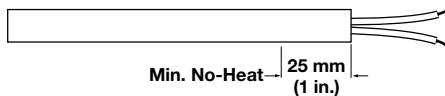


Stainless steel hose provides the best protection against abrasion from sharp edges or abrasive equipment. It also offers ease of handling and wiring in abrasive environments.

When the leads exit at a right angle to the heater, the hose is silver soldered to the sheath. Unless otherwise specified, leads are 250 mm (10 in.) long and the hose is 200 mm (8 in.) long. To order, specify **stainless steel hose**, lead length and no-heat section.

Metric FIREROD Diameter mm	Min. No-Heat Length		SS Hose O.D. mm (in.)
	Straight mm (in.)	Right Angle mm (in.)	
6.5	30 (1 ¹ / ₈)	N/A	4.7 (3 ¹ / ₁₆)
8.0	30 (1 ¹ / ₈)	15 (9 ¹ / ₁₆)	5.7 (7 ¹ / ₃₂)
10.0	30 (1 ¹ / ₈)	17 (2 ¹ / ₃)	7.6 (3 ¹ / ₁₀)
12.5	30 (1 ¹ / ₈)	18 (1 ¹ / ₁₆)	9.5 (3 ⁷ / ₈)
16.0	30 (1 ¹ / ₈)	20 (3 ¹ / ₄)	12.7 (1 ¹ / ₂)
20.0	30 (1 ¹ / ₈)	21 (1 ³ / ₁₆)	15.8 (5 ⁷ / ₈)

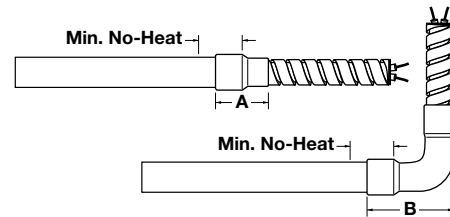
PTFE Seal and Leads



PTFE seal and leads protect the heater against moisture and contamination from lubricating oil, cleaning solvents, plastic material or fumes and organic tapes. This seal is effective to 200°C (400°F) under continuous operation.

Please note, when ordering this option, that a 25 mm (1 in.) minimum no-heat section is required to allow construction. Additional no-heat area may be required to keep the seal below effective temperatures. To order, specify **PTFE seal and leads** and lead length.

Galvanized Conduit

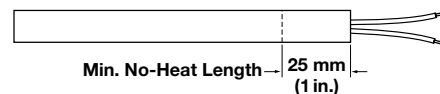


Galvanized conduit equals stainless steel hose in its abrasion protection.

The conduit is attached with a 90° elbow copper coupler, which overlaps the heater sheath. Unless specified, 200 mm (8 in.) conduit is supplied, leads are 50 mm longer than the conduit. To order, specify **galvanized conduit**, lead length and no-heat section.

Metric FIREROD Diameter mm	Min. No-Heat Length mm (in.)	Dimension A mm (in.)	Dimension B mm (in.)	Galvanized Conduit O.D. mm (in.)
6.5	12 (7 ¹ / ₁₆)	22 (7 ⁷ / ₈)	29 (1 ¹ / ₈)	10 (3 ⁷ / ₈)
8.0	12 (7 ¹ / ₁₆)	22 (7 ⁷ / ₈)	29 (1 ¹ / ₈)	10 (3 ⁷ / ₈)
10.0	12 (7 ¹ / ₁₆)	22 (7 ⁷ / ₈)	29 (1 ¹ / ₈)	10 (3 ⁷ / ₈)
12.5	12 (7 ¹ / ₁₆)	28 (1 ¹ / ₈)	30 (1 ³ / ₁₆)	14 (1 ¹ / ₂)
16.0	12 (7 ¹ / ₁₆)	28 (1 ¹ / ₈)	34 (1 ⁵ / ₁₆)	14 (1 ¹ / ₂)
20.0	12 (7 ¹ / ₁₆)	29 (1 ¹ / ₈)	36 (1 ⁷ / ₁₆)	16 (5 ⁷ / ₈)

Silicone Rubber Seal and Leads



Silicone rubber seals and leads protect the heater against moisture and contamination from lubricating oil, cleaning solvents, plastic material or fumes and organic tapes. This seal is effective to 230°C (450°F) under continuous operation. Epoxy potting for up to 260°C (500°F) for continuous operation is available upon request.

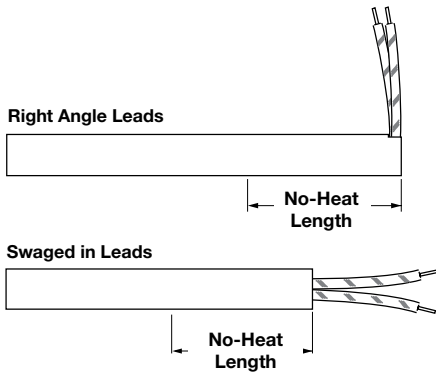
Please note, when ordering this option, a 25 mm (1 in.) minimum no-heat section is required to allow for construction. Additional no-heat may be required to keep the seal below effective temperatures. To order, specify **silicone or epoxy seal and leads** and lead length.

Cartridge/Insertion Heaters

Metric FIREROD Cartridge Heaters

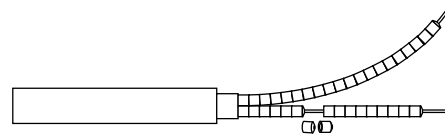
Termination Options (Continued)

No-Heat Section



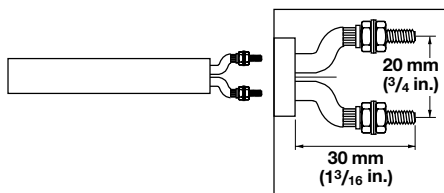
No-heat sections are recommended in applications where leads may be exposed to excessive heat, thus requiring a cooler lead end. Also use when heat is not required along the entire length of the metric FIREROD. No-heat extensions are available on all diameters with both pin style and swaged-in leads. To order, specify **no-heat** section and length of no-heat.

Ceramic Bead Insulation



Ceramic bead insulation protects the leads from high temperature ambients above 450°C (840°F). The beads fit over solid conductors and are extended long enough to reach a cooler area where flexible wires can be attached. To order, specify **ceramic beads** and length, and additional lead length.

Post Terminals



Post terminals provide a quick, secure connection with ring or fork connectors or bus bars. Threaded M4 x 12 mm studs are soldered to the solid power pins. Nuts and washers are provided. This termination is available on 16 and 20 mm (0.63 and 0.79 in.) diameter units. To order, specify **post terminals**.

Cartridge/Insertion Heaters

Metric FIREROD Cartridge Heaters

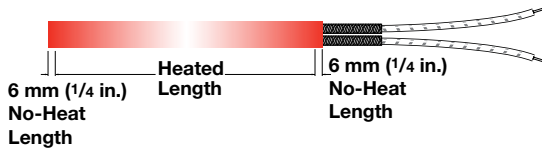
Options

Accessories

WATLUBE™

WATLUBE™ is an electrically non-conductive lubricant acting as a barrier against high-temperature oxidation, thus making heater removal easier. In addition, it aids in the transfer of heat from the metric FIREROD to the block. However, do not use it as a substitute for proper hole fit. WATLUBE is packaged in 118 ml (4 oz) bottles. To order, specify **WATLUBE**.

Distributed Wattage



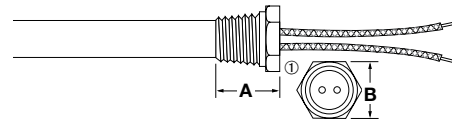
Distributed wattage varies the watt density along the length of the heater. This construction technique is used to compensate for heat losses along the edges of heated parts. To order, specify **distributed wattage** and give the length and wattage for each section.

Dual Voltage

When the metric FIREROD requires the flexibility of operating on two voltages, use this internal construction. Dual voltage is available on 12.5, 16 and 20 mm (0.5, 0.6 and 0.8 in.) diameter units. If not specified, 250 mm (9.8 in.) crimped on leads will be supplied. To order, specify **dual voltage**, voltage requirements and length of crimped on leads.

Threaded Fittings

DIN Thread Size



Metric FIREROD Diameter mm	Min. No-Heat Length mm (in.)	Thread Size DIN 13	A mm (in.)	B mm (in.)	Length of Threaded Section
6.5	16 (5/8)	M10 X 1.0	10.0 (3/8)	12 (7/16)	6.0 (1/4)
8.0	16 (5/8)	M12 X 1.0	11.0 (7/16)	14 (1/2)	6.5 (1/4)
10.0	18 (1 1/16)	M14 X 1.5	11.5 (7/16)	17 (5/8)	6.5 (1/4)
12.5	19 (3/4)	M16 X 1.5	12.0 (7/16)	19 (3/4)	6.5 (1/4)
16.0	20 (3/4)	M20 X 1.5	15.0 (3/5)	24 (15/16)	9.0 (3/8)
20.0	22 (7/8)	M26 X 1.5	16.0 (5/8)	30 (1 3/8)	10.0 (3/8)

① Swaged-in unit pictured.

National Pipe Thread (NPT) Thread Size

Threaded fittings allow for fast, water-tight installation of the heater into a threaded hole. These fittings can be ordered in either brass or stainless steel. Double threaded fittings are also available. See dimensions noted on the *DIN Thread Size and NPT Thread Size* charts or contact your Watlow representative if application exceeds limitations shown.

To order, specify stainless steel **threaded fittings**.

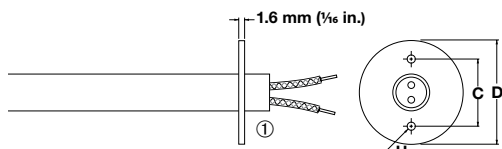
Metric FIREROD Diameter mm	Min. No-Heat Length mm (in.)	Thread Size NPT (in.)	A mm (in.)	B mm (in.)	Length of Threaded Section
6.5	19 (3/4)	(1/8)	13.5 (1 1/20)	11.0 (7/16)	9.5 (3/8)
8.0	22 (7/8)	(1/4)	17.0 (5/8)	14.0 (1/2)	13.0 (1/2)
10.0	22 (7/8)	(1/4)	17.0 (5/8)	14.0 (1/2)	13.0 (1/2)
12.5	25 (1)	(3/8)	20.0 (7/8)	17.5 (1 1/16)	14.0 (1 1/20)
16.0	28 (1 1/8)	(1/2)	23.0 (9/10)	22.0 (1 5/16)	16.0 (5/8)
20.0	32 (1 1/4)	(3/4)	26.0 (1)	29.0 (1 1/8)	19.0 (3/4)

Cartridge/Insertion Heaters

Metric FIREROD Cartridge Heaters

Options (Continued)

Flanges



Stainless steel flanges are a convenient mounting method as well as a way to position a heater within an application. These flanges can be located in any no-heat section of the heater sheath. To order, specify **flange**, flange size and location.

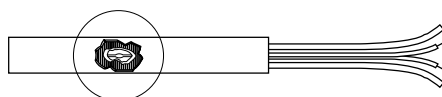
Metric FIREROD Diameter mm	Flange Size	D mm (in.)	C mm (in.)	H mm (in.)
6.5, 8, 10, 12.5, 16 ^②	FS	25.4 (1)	19.1 (3/4)	3.7 (9/64)
6.5, 8, 10, 12.5, 16, 20	FM	38.1 (1 1/2)	28.6 (1 1/8)	4.3 (3/16)
16, 20	FL	51.0 (2)	38.1 (1 1/2)	5.3 (13/64)

^① Swaged-in unit pictured.

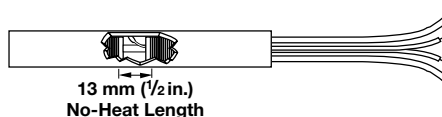
^② FS flange for 16 mm diameter is without holes.

Internal Thermocouple Sensors

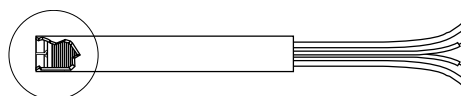
Style A



Style B



Style C



The **Style A** internal thermocouple can be used to evaluate heat transfer efficiency of an application, a measure enabling a customer to cut energy costs and increase heater life.

The **Style B** internal thermocouple gives a good approximation of part temperature. The thermocouple junction is in contact with the inside of the heater sheath, located in the 13 mm (1/2 in.) no-heat section anywhere along the heater length.

A **Style C** internal thermocouple is useful in applications where material flows past the end of the heater, as in plastic molding. This junction is embedded in a special end disc. Style C is not available on 20 mm (0.8 in.) diameter units. Unless requested, the disc end is not mechanically sealed.

To order, specify **internal thermocouple Style A, B or C** and thermocouple **Type J or K**. If not specified, 250 mm (10 in.) thermocouple leads are supplied.

Thermocouple Types

ISA Code	Conductor Characteristics		Temperature Range	
	Positive	Negative	°C	(°F)
J	Iron (Magnetic)	Constantan (Non-magnetic)	-20 to 760	(0 to 1400)
K	Chromel® (Non-magnetic)	Alumel® (Magnetic)	-20 to 1260	(0 to 2300)

For other thermocouple types, contact your Watlow representative.

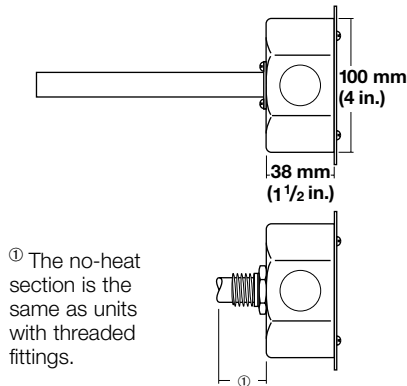
Cartridge/Insertion Heaters

EXTENDED
CAPABILITY

Extended Capabilities For Metric FIREROD Cartridge Heaters

Options

Terminal Box



NEMA 1, NEMA 4 (moisture-proof) and NEMA 7 (explosion-proof) octagonal terminal boxes can be mounted to a flange or threaded fitting on the 12.5, 16 and 20 mm diameter units. These 100 mm (4 in.) terminal boxes have conduit knockouts to protect electrical connections.

Aluminum and macrolon plastic terminal boxes are also available in the following sizes:

- 50 x 50 x 30 mm nominal size for heaters to 10 mm (0.4 in.) in diameter;
- 80 x 80 x 55 mm nominal size for heaters 12.5 mm (0.5 in.) or larger in diameter.

To order, specify **terminal box**, NEMA type and/or material type.

Individually Controlled Heat Zones

Individually controlled heat zones give the flexibility of controlling temperature by zones, along the length of the metric FIREROD. This is an advantage for heating requirements of certain applications, like seal bars.

This internal construction can be ordered on 12.5, 16 and 20 mm diameter units. If not specified, 250 mm crimped on leads will be supplied. To order, specify **individually controlled heat zones** as well as length and wattage per zone and length of crimped on leads.

External Finishing—Centerless Grinding

Centerless grinding can be used to furnish precision diameters, thus permitting closer heater-to-part fit. Therefore, higher watt densities can be used. For centerless ground heaters, the heater must either have PTFE leads and seal (maximum 12 in. (305 mm) lead length) or have crimped on leads. Longer lead lengths are available, but require external connection. The length of a FIREROD available for centerless grinding is dependent on the construction, please contact your Watlow representative for assistance. To order, specify **centerless grinding**.

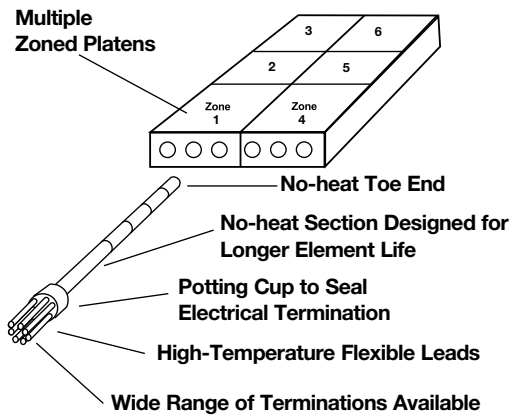
Cartridge/Insertion Heaters

MULTICELL™ Heaters

The advanced design of the MULTICELL™ insertion heater from Watlow offers three major advantages: extreme process temperature capability, independent zone control for precise temperature uniformity and loose fit design for easy insertion and removal.

Performance Capabilities

- Engineered to achieve sheath temperatures up to 2050°F (1120°C)
- Up to six independently controllable zones



Features and Benefits

Multiple, independently controllable zones

- Allows process temperature uniformity not possible with any other single-sheathed heater

Radiant design of heater

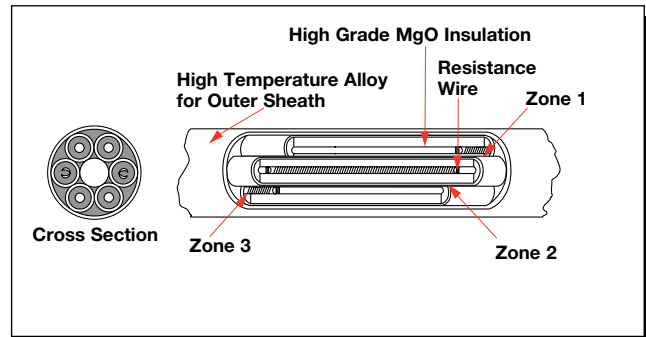
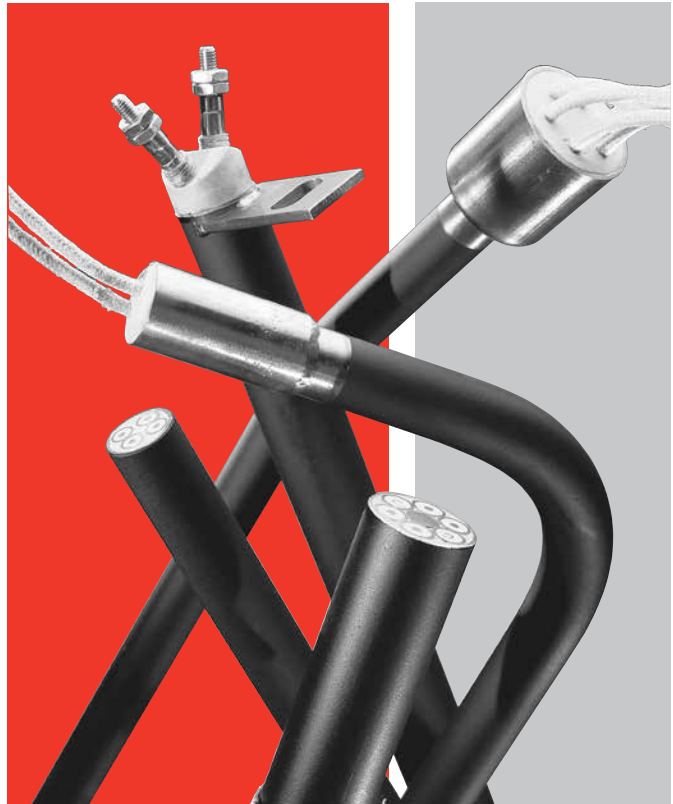
- Allows for loose insertion in boiling holes and piping holes
- Permits easy removal and replacement with minimal down time since it will not bind or seize in the hole

Oxidized sheath

- Provides high emissivity and improves the heater's performance as oxidation increases

Individual metal-sheathed coils swaged into a larger, high-temperature alloy outer sheath

- Provides maximum protection against element burnout through the outer sheath



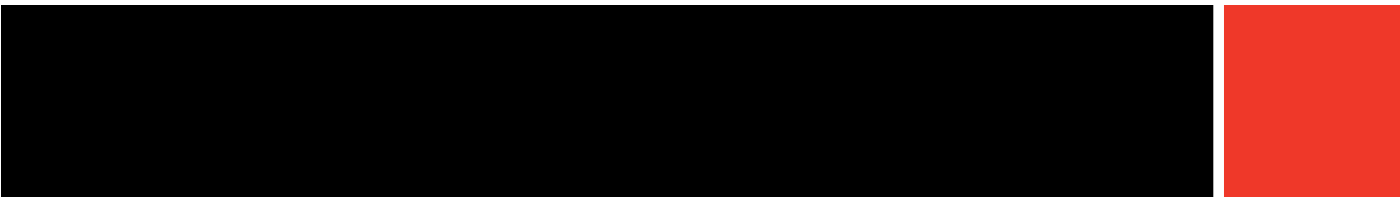
**For detailed product and technical data,
see the full MULTICELL product
section located on pages 425 through 430.**

Tubular Heaters

Tubular Heaters	Sheath Materials	Max. Operating Temperatures		Typical Max. Watt Densities		Page
		°F	°C	W/in ²	W/cm ²	
WATROD™ Single-Ended Double-Ended	Alloy 800/840	1600	870	45	6.9	61
	Stainless steel	1200	650	60	9.3	
	Steel	750	400	45	6.9	
	Alloy 600	1800	982	45	6.9	
High-Temperature	Alloy 600	1800	982	45	6.9	87
MULTICOIL™	Alloy 800	1400	760	45	6.9	89
	304 stainless steel	1200	650	45	6.9	
	316 stainless steel	1200	650	45	6.9	
Milled Groove	304 stainless steel	1200	650	60	9.3	91
	Alloy 800	1600	870	60	9.3	
FIREBAR® Single-Ended Double-Ended	Alloy 800	1400	760	60	9.3	93
	304 stainless steel	1200	650	60	9.3	
FINBAR™ Single-Ended	304 stainless steel	1200	650	50	7.7	112



Tubular Heaters



Tubular Heaters

WATROD™ Single/Double-Ended Heaters

Available in single- or double-ended termination styles, the versatile and economical WATROD™ tubular heating element from Watlow® lends itself to virtually the entire range of immersion and air heating applications.

The single-ended WATROD tubular design has both terminals at one end. The opposite end is sealed. Flexible lead wires are 12 in. (305 mm) crimp connected to the terminal pin and have silicone-impregnated fiberglass oversleeves.

The double-ended WATROD, with its round cross-sectional geometry, is highly adaptable for bending—especially when bending is performed in the field. Watlow's double-ended MULTICOIL™ tubular elements offer various combinations of resistor coils and thermocouples inside one sheath. They have the ability to sense the heater's internal temperature accurately every time, or offer three-phase capability in one element.

Both single- and double-ended WATRODs share many construction features delivering long life—the resistance wire is centered in the heater sheath and electrically insulated with compacted, high-grade magnesium oxide for superior heating performance.

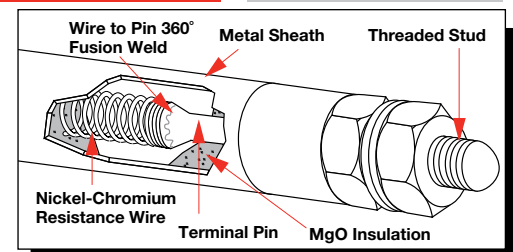
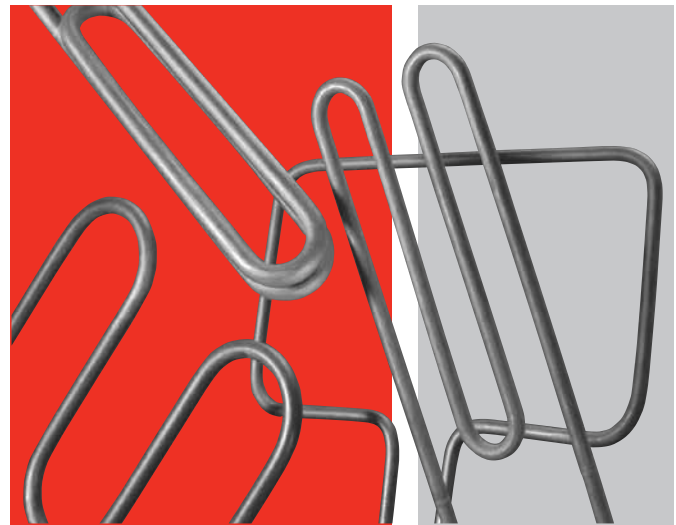
WATROD heating elements have a variety of mounting and termination options making them highly popular among industrial customers.

Single-Ended WATROD Performance Capabilities

- Watt densities up to 45 W/in² (6.9 W/cm²)
- UL® and CSA component recognition up to 240VAC
- Alloy 800/840 and stainless steel sheath temperatures up to 1200°F (650°C)

Double-Ended WATROD Performance Capabilities

- Watt densities up to 120 W/in² (18.6 W/cm²)
- UL® and CSA component recognition up to 600VAC
- Alloy 800/840 sheath temperatures up to 1600°F (870°C)
- Stainless steel sheath temperatures up to 1200°F (650°C)
- Steel sheath temperatures up to 750°F (400°C)
- Alloy 800 sheath temperatures up to 1800°F (982°C)



Features and Benefits

Precision wound nickel-chromium resistance wire

- Distributes heat evenly to the sheath for optimum heater performance

Silicone resin seals

- Protects against moisture contamination and is rated to 221°F (105°C)

MgO insulation filled sheath

- Maximizes dielectric strength, heat transfer and life

Standard sheath materials

- Steel, 304 and 316 stainless steel, alloy 800/840 and alloy 600

53 standard bend formations

- Allows forming the heating element to the application. Spirals, compound bends and multi-axis and multi-plane configurations

Stainless steel studs

- Fusion welded to terminal pins for mechanical strength

Popular termination, mounting and moisture seal options available

Tubular Heaters

WATROD Single/Double-Ended Heaters

Specifications

Double-Ended



Single-Ended



Applications	Direct immersion Hot runner mold (manifold) Forced air Ovens Radiant Clamp-on	Vacuums Semiconductor	Platens Forced air Deicing antennas Plastic wrap cutting Seal bars
Watt Density W/in ² (W/cm ²)	Catalog P/N: Standard:	up to 60 (9.3) up to 120 (18.6)	Catalog P/N: Standard:
Element Diameters in. (mm) and Surface Area per Linear in ² (cm ²) Diameter Tolerance ± 0.005 in. (0.13 mm)	Dia. 0.210 0.260 0.315 0.375 0.430 0.475	in² 0.660 0.817 0.990 1.178 1.351 1.492	Dia. (mm) (5.33) (6.60) (8.00) (9.53) (10.92) (12.07)
Sheath Materials Max. Operating Temperature	Standard: 316 SS Steel 304 SS Alloy 600	Alloy 800/840 1600°F (870°C) 1200°F (650°C) 750°F (400°C) 1200°F (650°C) 1800°F (980°C)	Standard: Alloy 800/840 316 SS 304 SS 1200°F (650°C) 1200°F (650°C) 1200°F (650°C)
Sheath Length By Diameter in. (mm)	Dia. Standard: 0.210 0.260 0.315 0.375 0.430 0.475	Sheath Length (in.) 9 to 130 9 to 270 9 to 270 11 to 360 11 to 360 11 to 275	Sheath Length (mm) (5.33) (230 to 3300) (6.60) (230 to 6858) (8.00) (230 to 6858) (9.53) (280 to 9144) (10.92) (280 to 9144) (12.07) (280 to 6985)
Min. No-Heat Length in. (mm)	Sheath Length 11 to 20 21 to 50 51 to 80 81 to 110 111 to 140 141 to 170 171 to 200 201 & up	No-Heat Length 1 1 ¹ / ₄ 1 ¹ / ₂ 1 ⁵ / ₈ 1 ³ / ₄ 2 2 ¹ / ₄ 2 ¹ / ₂	Sheath Length (280 to 510) (535 to 1270) (1295 to 2030) (2055 to 2795) (2820 to 3555) (3580 to 4320) (4345 to 5080) (5105 & up)
Max. Voltage/Amperage By Dia. in. (mm)	Dia. 0.260 (6.6) 0.315 (8.0) 0.375 (9.53) 0.430 (10.92) 0.475 (12.07)	Volts 250VAC 480VAC 480VAC 600VAC 600VAC	Amperes 15 30 30 40 40
	Dia. 0.375 (9.53) 0.430 (10.92) 0.475 (12.07)	Volts 480VAC 480VAC 480VAC	Ampere 30 30 30

Tubular Heaters

WATROD Single/Double-Ended Heaters

Specifications (Continued)

Double-Ended



Single-Ended



Ohms Per Heated Inch By Dia. in.	Double-Ended			Single-Ended		
	Dia.	Min.	Max.	Dia.	Min.	Max.
0.210	0.130Ω	14Ω		0.375	0.150Ω	25Ω
0.260	0.080Ω	16Ω		0.430	0.150Ω	24Ω
0.315	0.050Ω	25Ω		0.475	0.150Ω	22Ω
0.375	0.030Ω	20Ω				
0.430	0.030Ω	25Ω				
0.475	0.035Ω	25Ω				
Terminations	Standard: Threaded stud Screw lug (plate) Quick connect (spade) Flexible lead wires			Standard: Flexible lead wires Rubber overmolds		
Seals	Standard: Silicone resin 221°F (105°C) Ceramic base 2800°F (1535°C) Ceramic-to-metal 482°F (250°C) Silicone rubber (RTV) 392°F (200°C) Silicone resin 392°F (200°C) Epoxy resin 194/356°F (90/180°C)			Standard: Silicone resin 221°F (105°C) Silicone rubber (RTV) 500°F (260°C) Epoxy resin 194/356°F (90/180°C)		
Mounting Options	Threaded bulkheads Mounting brackets Locator washers			Threaded bulkhead Locator washers		
Surface Finish Options	Oxide anneal Bright anneal Passivation			Oxide anneal Bright anneal Passivation		
Agency Recognition	UL® Component to 480VAC (File # E52951/E56488) CSA Component to 600VAC (File # 31388)			UL® Component to 240VAC (File # E52951) CSA Component to 240VAC (File # 31388) ①		

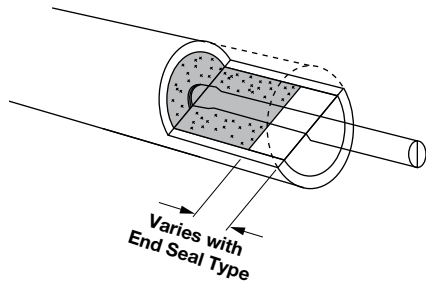
① Not applicable to 0.375 inch diameter single-ended WATROD.

Tubular Heaters

WATROD Single/Double-Ended Heaters

Options

Moisture Resistant Seals



WATROD's MgO insulating material is hygroscopic. To control the rate of moisture entering the heater, an appropriate moisture seal must be used. Choosing the correct seal is important to the life and performance of the heater. All materials have varying rates of gas vapor transmission. Be sure the maximum continuous use temperature is not exceeded at the seal location. Most end seals are applied with a small cavity in the end of the heater. The seal will also help prevent arcing at the terminal ends

Zoned Heaters

Single zone heaters are only available.

External Finishes

Bright Annealing

Bright annealing is a process that produces a smooth, metallic finish. It is a special annealed finish created in a non-oxidizing atmosphere. This finish is popular in the pharmaceutical and food and beverage markets.

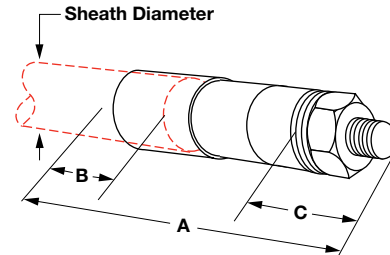
To order, specify **bright annealing**.

Passivation

During the manufacturing process, particles of iron or tool steel may become embedded in the stainless steel or alloy sheath. If not removed, these particles may corrode, produce rust spots and/or contaminate the process. For critical sheath applications, passivation will remove free iron from the sheath.

To order, specify **passivation**.

Ceramic-to-Metal End-Seal



Ceramic-to-metal end-seals with threaded stud terminations provide an air-tight seal for continuous terminal temperatures up to 500°F (260°C). Watlow does not recommend this seal if terminations are exposed to temperatures exceeding 500°F (260°C).

Sheath Diameter in. (mm)	A in. (mm)	B in. (mm)	C in. (mm)	Thread Size
0.260 (6.6)	1 11/16 (42.9)	1/2 (13)	13/32 (10.32)	#8-32
0.315 (8.0)	1 7/8 (47.6)	1/2 (13)	13/32 (10.32)	#10-32
0.430 (10.9)	2 1/8 (54.0)	1/2 (13)	13/32 (10.32)	#1/4-28

Tubular Heaters

WATROD Single/Double-Ended Heaters

Options (Continued)

End-Seal Options

End-Seal	Part Number	Color	UL® Recognition	Max. Cont. Use Temperature	Typical or General Usage/Application
Standard Epoxy	EC	Cream	Yes	194°F (90°C)	Long term stable insulation resistance
Intermediate Epoxy	EB	Gray	Yes	356°F (180°C)	Long term stable insulation resistance
High-Temp. Epoxy	HTE	Amber	No	450°F (232°C)	Long term stable insulation resistance
Silicone Resin	SR	Clear	Yes	221°F (105°C)	General usage on tubular products - porous
Silicone Fluid	SF	Clear	No	392°F (200°C)	Moisture resistance of the MgO, or high temperature ceramic seal (storage only) - porous
Lavacone	LC	Dark Brown	Yes	221°F (105°C)	Porous seal for the FIREBAR
Silicone Rubber RTV	RTV	Red-Orange	Yes	392°F (200°C)	General usage on FIREBAR applications - porous
High-Temperature Ceramic	HTC	White	Yes	2800°F (1538°C)	Very high-temperature applications - for extremely low vapor transmission rate

Tubular Heaters

WATROD Single/Double-Ended Heaters

Terminations

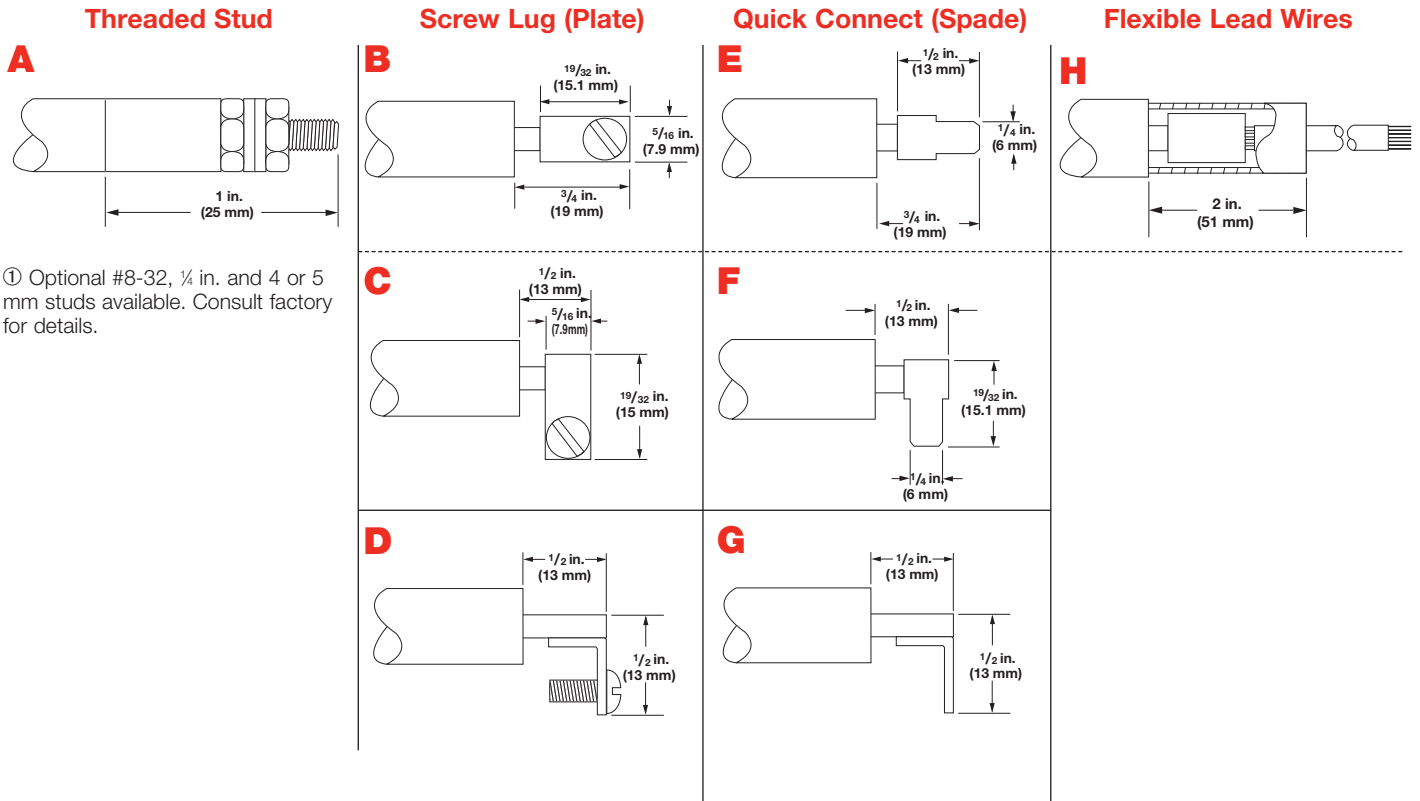
Double-ended WATROD elements are available with a variety of terminations. Single-ended WATROD elements are available with only flexible lead wires.

The following table and illustrations detail the terminations available with double- or single-ended WATRODs—for each available sheath diameter.

Flexible lead wires are 12 in. (305 mm), Sil-A-Blend™ 390°F (200°C) unless otherwise specified. Insulation options include TGGT 480°F (250°C) plus other temperature ratings. Contact your Watlow representative.

Overmolds are available for flexible lead wires only. Available in silicone rubber 390°F (200°C) and neoprene 212°F (90°C). Contact your Watlow representative.

WATROD Element	Sheath Diameter in. (mm)		Threaded Stud ①	Screw Lug (Plate)				Quick Connect (Spade)			Flexible Lead Wires
			A	B	C	D	E	F	G	H	
Double-Ended	0.260	(6.6)	#6-32	Yes	Yes	Yes	Yes	Yes	Yes	Yes	Yes
	0.315	(8.0)	#10-32	Yes	Yes	Yes	Yes	Yes	Yes	Yes	Yes
	0.375	(9.5)	#10-32	Yes	Yes	Yes	Yes	Yes	Yes	Yes	Yes
	0.430	(10.9)	#10-32	Yes	Yes	Yes	Yes	Yes	Yes	Yes	Yes
	0.475	(12.1)	#10-32	Yes	Yes	Yes	Yes	Yes	Yes	Yes	Yes
Single-Ended	0.490	(12.5)	#10-32	Yes	Yes	Yes	Yes	Yes	Yes	Yes	Yes
	0.375	(9.53)	No	No	No	No	No	No	No	No	Yes
	0.430	(10.9)	No	No	No	No	No	No	No	No	Yes
	0.475	(12.1)	No	No	No	No	No <td No	No	No	Yes	
	0.490	(12.5)	No	No	No	No	No	No	No	No	Yes



Tubular Heaters

WATROD Single/Double-Ended Heaters

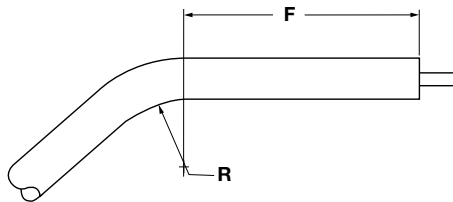
Bend Formations

Double-Ended WATROD Bend Formations

Double-ended WATROD heating elements can be formed into spirals, compounds, multi-axis and multi-planes from 36 common bend configurations. Custom bending with tighter tolerances can be made to meet specific application needs.

Formation is limited by the minimum bend radius (R) and the straight length (F) required beyond the bend. In order to locate the end of a heated length within a bend, the radius must be 3 in. (76 mm) or larger. Additionally, overall length tolerance (T) must be included in one or more of the straight lengths.

Minimum radius for various sheath diameters and lengths are shown in the *Bend Formations* chart below. Illustrated on pages 67 to 76 are the 51 common bend configurations available on both stock and made-to-order WATROD heating elements.



WATROD Length Tolerance (T)			
Sheath Length		Length Tolerance	
in.	(mm)	in.	(mm)
11-50	(280-1270)	±1/8	(±3)
51-110	(1295-2795)	±3/16	(±5)
111-170	(2820-4320)	±1/4	(±6)
171-200	(4345-5080)	±3/8	(±10)
201 & up	(5105 & up)	±1/2	(±13)

Single-Ended WATROD Bend Formations

Watlow does not recommend field bending single-ended WATROD elements. Formation is limited by the minimum radius of a bend (R) and the straight length (F) beyond the bend. The radius must be 3 in. (75 mm) or more for the heated length's end to be inside a bend.

Additionally, the overall length tolerance (T) must be provided for in one or more of the specified lengths.

The four common bend configurations available for standard and made-to-order single-ended WATROD elements are Figures 1, 6, 22 and 28.

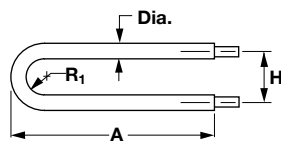
To order a common bend formation, specify the **bend figure number**, dimensions and critical tolerances.

WATROD Minimum Radius					
Sheath Diameter	Field Bend R ^①		Factory R ^①		F ^② Dimension
	in.	(mm)	in.	(mm)	
0.260	(6.6)	3/4 (19.0)	3/8 (9.5)	1/2 (13.0)	1/2 (13.0)
0.315	(8.0)	3/4 (19.0)	1/2 (13.0)	1/2 (13.0)	1/2 (13.0)
0.375	(9.52)	1 (25.0)	1/2 (13.0)	1/2 (13.0)	1/2 (13.0)
0.430	(10.92)	1 (25.0)	1/2 (13.0)	3/4 (19.0)	3/4 (19.0)
0.475	(12.07)	1 (25.0)	5/8 (15.9)	1 (25.0)	1 (25.0)
0.490	(12.45)	1 (25.0)	5/8 (15.9)	1 (25.0)	1 (25.0)

① R is the inside radius of a bend.

② F is the distance from the sheath's end to the start of the first bend.

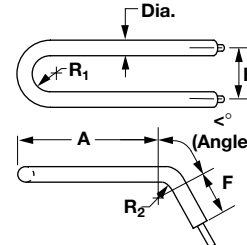
Figure 1



$$SL = 2A + 1.14R_1 - 0.43 \text{ Dia.}$$

(For pricing, use 1 bend)

Figure 2



$$SL = 2A + 2F + 1.14R_1 + 0.0175 (<^\circ)$$

$$(2R_2 + \text{Dia.}) - 0.43 \text{ Dia.}$$

(For pricing, use 3 bends)

Tubular Heaters

WATROD Single/Double-Ended Heaters

Bend Formations (Continued)

Figure 3

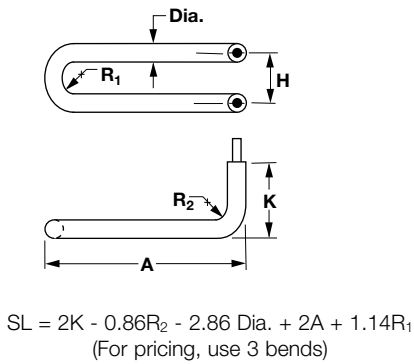


Figure 4

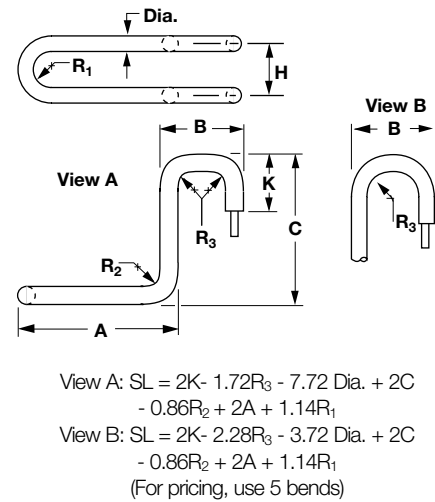


Figure 5

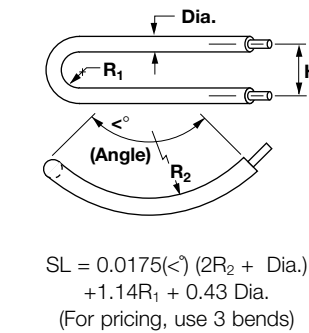


Figure 6

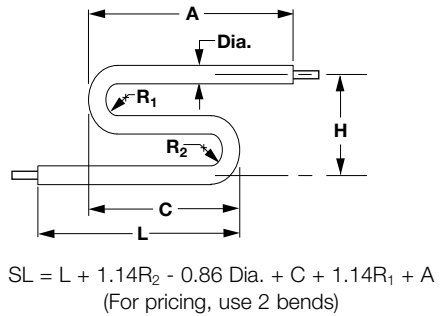


Figure 7

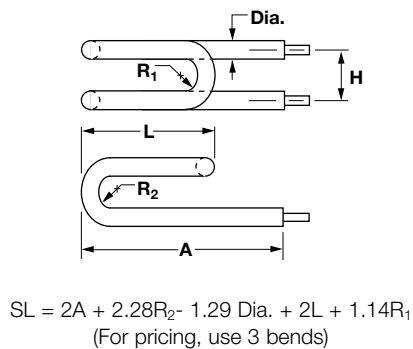


Figure 8

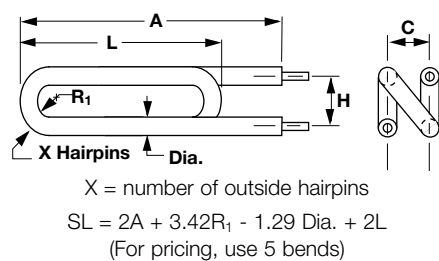
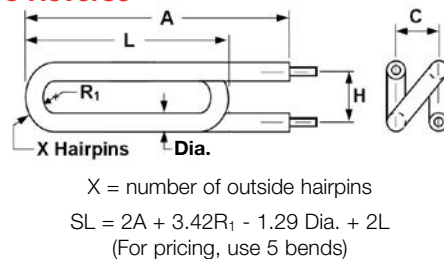


Figure 8 Reverse



Tubular Heaters

WATROD Single/Double-Ended Heaters

Bend Formations (Continued)

Figure 9

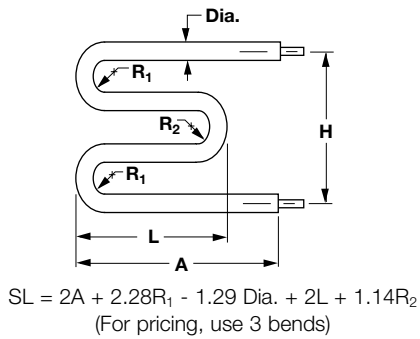


Figure 10

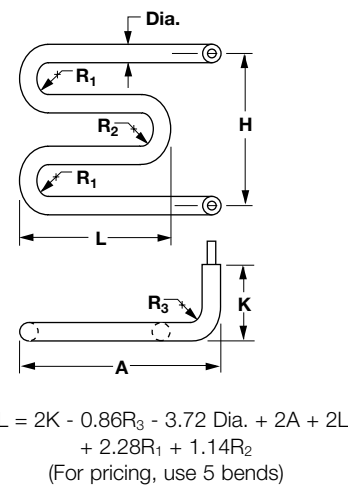


Figure 11

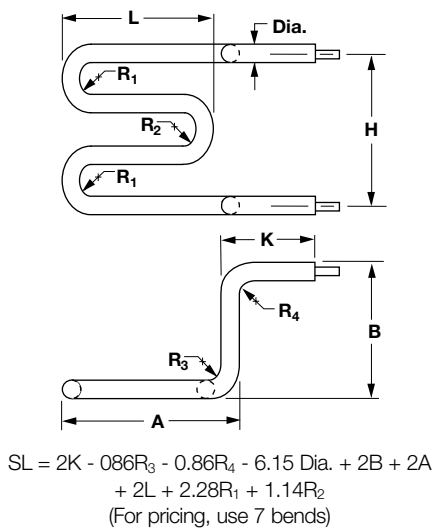


Figure 12

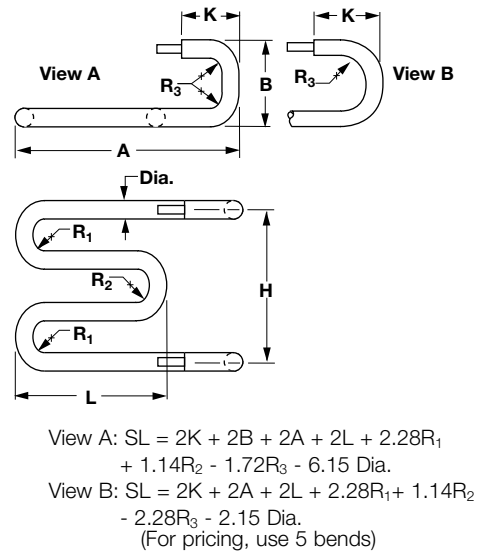


Figure 13

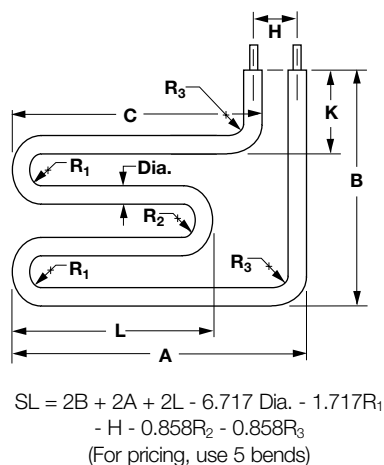
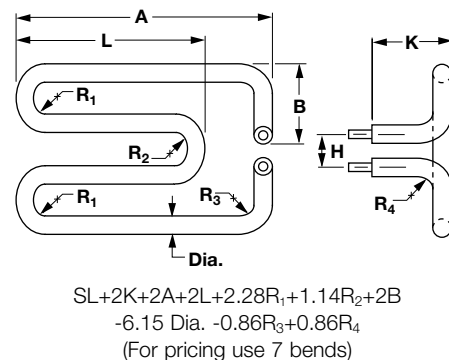


Figure 14

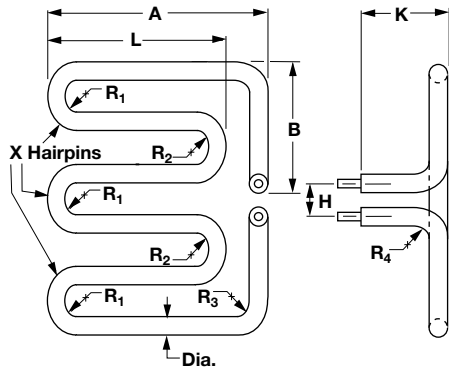


Tubular Heaters

WATROD Single/Double-Ended Heaters

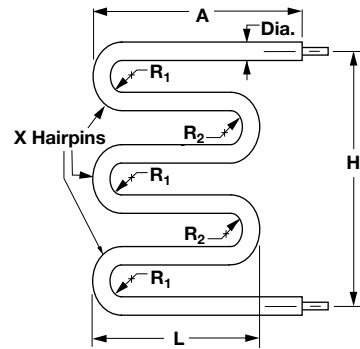
Bend Formations (Continued)

Figure 15



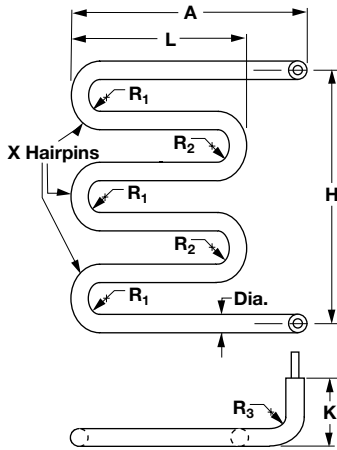
X = number of outside hairpins
 $SL = 2K + 2A + 2K(X - 1) + 2B - 0.86R_3 - 0.86R_4 + 1.14R_1(X) + 1.14R_2(X - 1) - 4.86 \text{ Dia.} - (2X - 1) 0.43 \text{ Dia.}$
 (For pricing, use 9 bends if X = 3 hairpins)

Figure 16



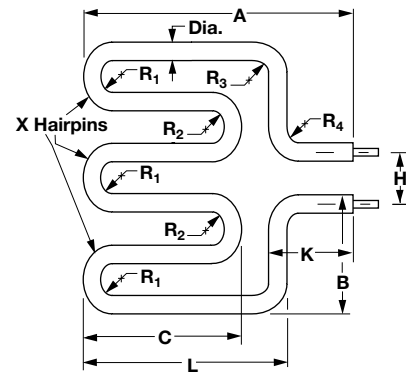
X = number of outside hairpins
 $SL = 2A + 0.43 \text{ Dia.} (1 - 2X) + 2L(X - 1) + 1.14R_1 + 1.14R_2(X - 1)$
 (For pricing, use 5 bends if X = 3 hairpins)

Figure 17



X = number of outside hairpins
 $SL = 1.14R_2X - 0.88 \text{ Dia.} X - 1.14R_2 - 2 \text{ Dia.} + 1.14R_1 X - 0.86R_3 + 2L X - 2L + 2A + 2K$
 (For pricing, use 7 bends if X = 3 hairpins)

Figure 18



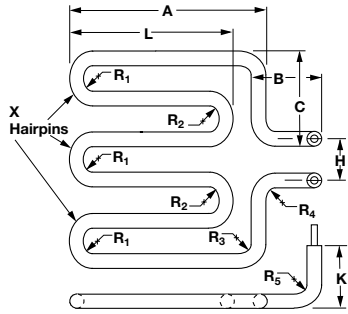
X = number of outside hairpins
 $SL = 2L + 2K + 2B + 2C(X - 1) - 0.86R_3 - 0.86R_4 - 4.86 \text{ Dia.} + 1.14R_1(X) + 1.14R_2(X - 1) - (2X - 1) 0.43 \text{ Dia.}$
 (For pricing, use 9 bends if X = 3 hairpins)

Tubular Heaters

WATROD Single/Double-Ended Heaters

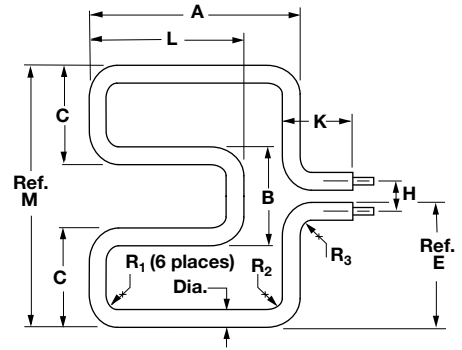
Bend Formations (Continued)

Figure 19



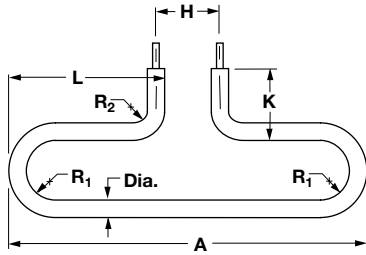
X = number of outside hairpins
 $SL = 2K + 2A + 2B + 2C + 2L(X - 1) + 1.14R_1(X) + 1.14R_2(X - 1) - 0.86R_3 - 0.86R_4 - 0.86R_5 - 7.29 \text{ Dia.} - (2X - 1) 0.43 \text{ Dia.}$
 (For pricing, use 11 bends if X = 3 hairpins)

Figure 20



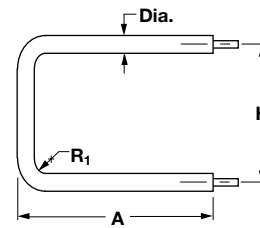
$SL = 2K + 2C + B + 2A + 2L - 2.58R_1 - 0.86R_2 - 0.86R_3 - 12.15 \text{ Dia.}$
 (For pricing, use 10 bends)

Figure 21



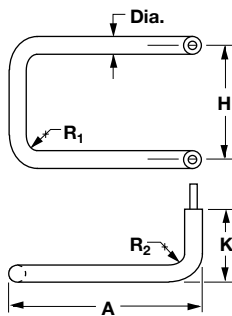
$SL = 2A + 2K - H - 2.28R_1 - 0.86R_2 - 3.29 \text{ Dia.}$
 (For pricing, use 4 bends)

Figure 22



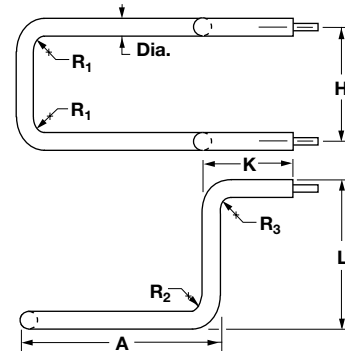
$SL = 2A - 0.86R_1 - 1.43 \text{ Dia.} + H$
 (For pricing, use 2 bends)

Figure 23



$SL = 2K - 0.86R_2 - 3.86 \text{ Dia.} + 2A - 0.86R_1 + H$
 (For pricing, use 4 bends)

Figure 24



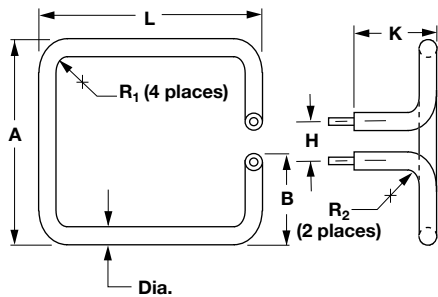
$SL = 2K + 2L + H - 0.86R_1 - 0.86R_2 - 0.86R_3 - 7.29 \text{ Dia.}$
 (For pricing, use 6 bends)

Tubular Heaters

WATROD Single/Double-Ended Heaters

Bend Formations (Continued)

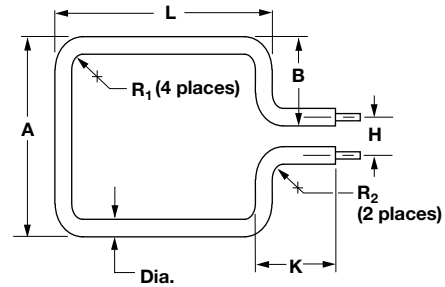
Figure 25



$$SL = 2K + 2A + 2L - H - 1.72R_1 - 0.86R_2 - 6.92 \text{ Dia.}$$

(For pricing, use 6 bends)

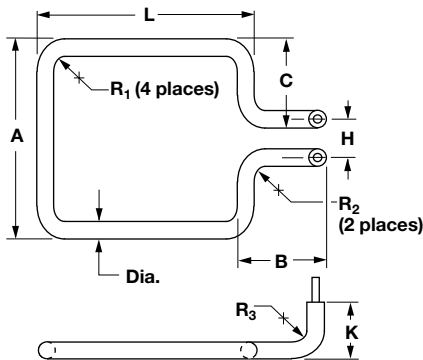
Figure 26



$$SL = 2K + 2A + 2L - H - 1.72R_1 - 0.86R_2 - 6.29 \text{ Dia.}$$

(For pricing, use 6 bends)

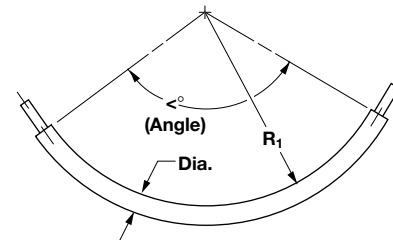
Figure 27



$$SL = 2K + 2A + 2L + 2B - H - 1.72R_1 - 1.72R_2 - 8.72 \text{ Dia.}$$

(For pricing, use 8 bends)

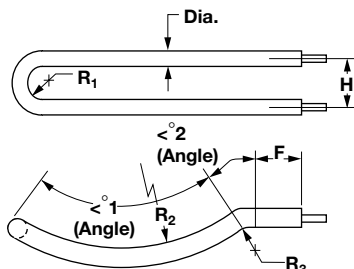
Figure 28



$$SL = 0.0175 \angle^\circ (R_1 + 0.5 \text{ Dia.})$$

(For pricing, use 1 bend)

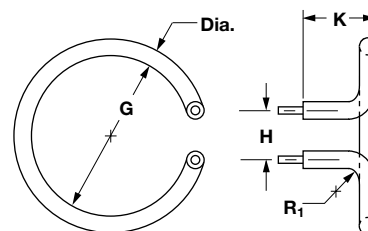
Figure 29



$$SL = 0.0175 \angle^1 (2R_2 + \text{Dia.}) + 2F + 1.14R_1 + 0.0175 \angle^2 (2R_3 + \text{Dia.}) - 0.43 \text{ Dia.}$$

(For pricing, use 5 bends)

Figure 30



$$SL = (G + \text{Dia.}) 3.14 + 1.14R_1 + 2K + 3.28 \text{ Dia.} - H$$

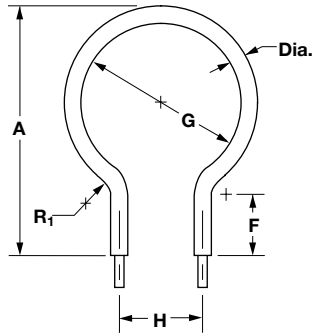
(For pricing, use 4 bends)

Tubular Heaters

WATROD Single/Double-Ended Heaters

Bend Formations (Continued)

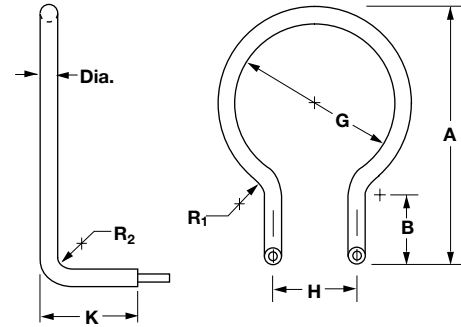
Figure 31



$$SL = (G + \text{Dia.}) 3.14 + 1.14R_1 + 2F + 3.71 \text{ Dia.} - H$$

(For pricing, use 4 bends)

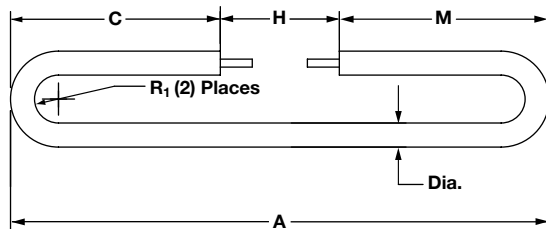
Figure 32



$$SL = (G + \text{Dia.}) 3.14 + 1.14R_1 + 2B + 1.14R_2 + 2K + 3.28 \text{ Dia.} - H$$

(For pricing, use 6 bends)

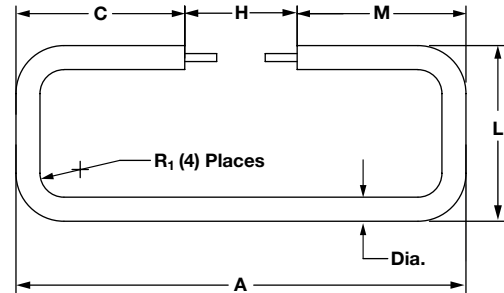
Figure 37



$$SL = (2A - H) + 2\pi R_1 - 2R_1$$

(For pricing, use 2 bends)

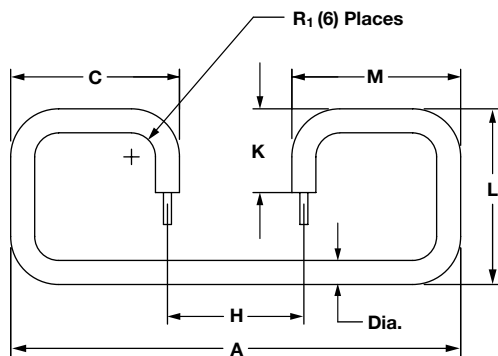
Figure 38



$$SL = (2A - H) + 2L + 2\pi R_1 - 4R_1$$

(For pricing, use 4 bends)

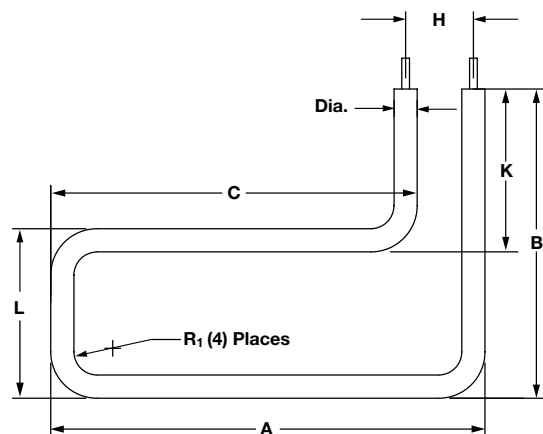
Figure 39



$$SL = (2A - H) + 2L + 2K + 3\pi R_1 - 6R_1$$

(For pricing, use 6 bends)

Figure 40



$$SL = (2A - H) + 2B + 2\pi R_1 - 4R_1$$

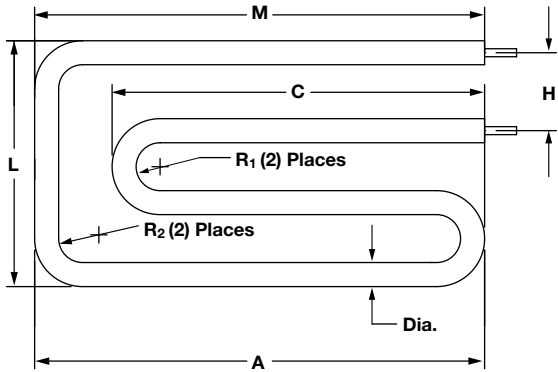
(For pricing, use 4 bends)

Tubular Heaters

WATROD Single/Double-Ended Heaters

Bend Formations (Continued)

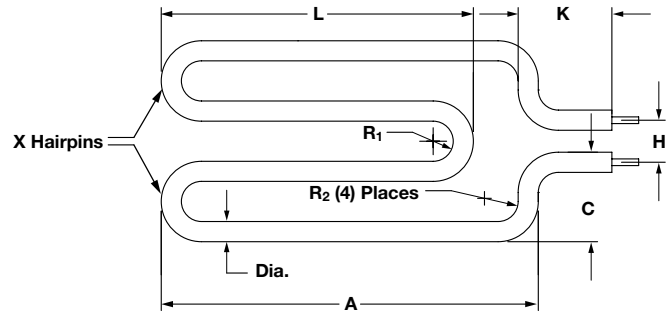
Figure 41



$$SL = 2A + 2C + L - H + 2\pi R_1 + \pi R_2 - 2R_1 - 2R_2$$

(For pricing, use 4 bends)

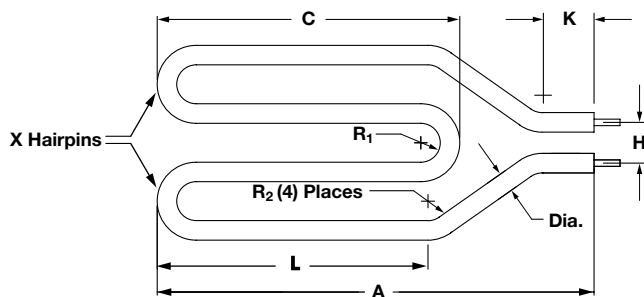
Figure 42



$$SL = 2A + (\#)L + 2K + 2C + 2\pi R_2 + (\# \text{ of } R_1) \pi R_1 - (\# \text{ of } R_1) R_1$$

(For pricing, use 7 bends if X = 2)

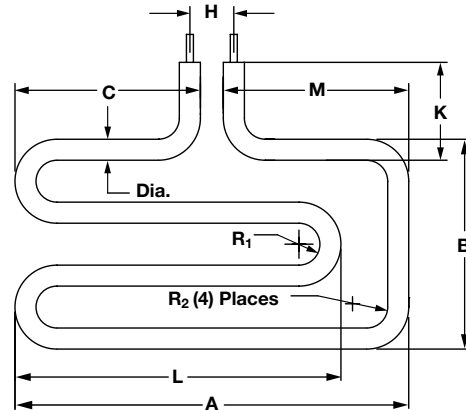
Figure 43



$$SL = 2A + (\#)C + (\# \text{ of } R_1) \pi + 2\pi R_2 - (\# \text{ of } R_1) R_1 - 4R_2$$

(For pricing, use 7 bends if X = 2)

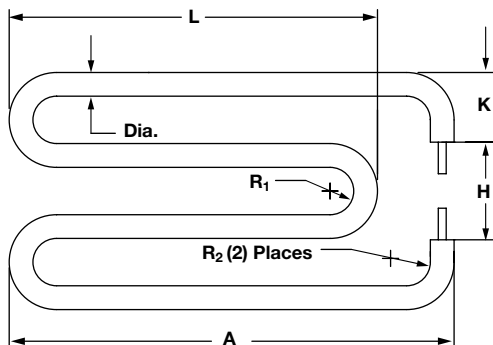
Figure 44



$$SL = 2A + 2L + B + 2K + 2\pi R_2 + 3\pi R_1 - 4R_2 - 3R_1$$

(For pricing, use 7 bends)

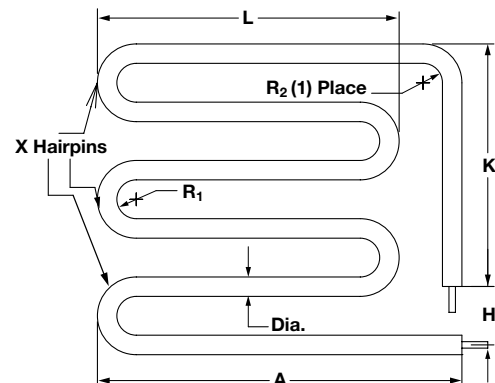
Figure 45



$$SL = 2A + 2L + 2K + 3\pi R_1 + \pi R_2 - 3R_1 - 2R_2$$

(For pricing, use 5 bends)

Figure 46



$$SL = 2A + (\#)L + K + (\# \text{ of } R_1) \pi + \frac{\pi R_2}{2} - (\# \text{ of } R_1) R_1 - R_2$$

(For pricing, use 6 bends if X = 3)

Tubular Heaters

WATROD Single/Double-Ended Heaters

Bend Formations (Continued)

Figure 47

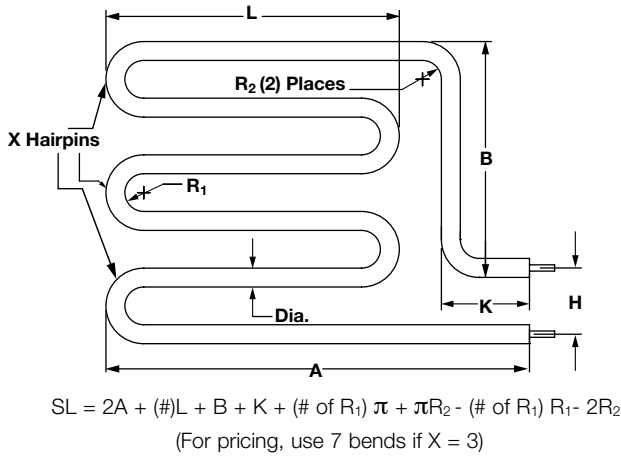


Figure 48

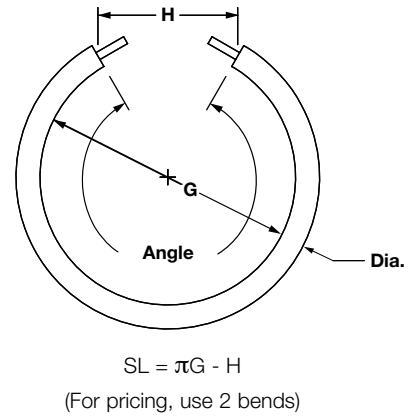


Figure 49

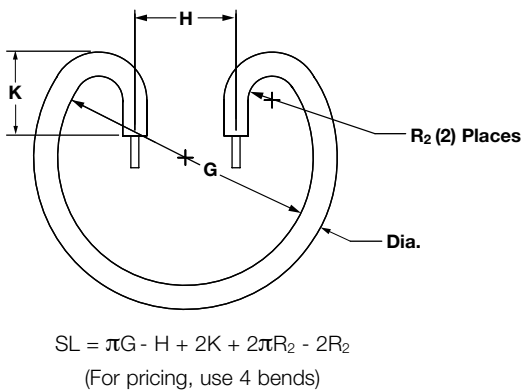


Figure 50

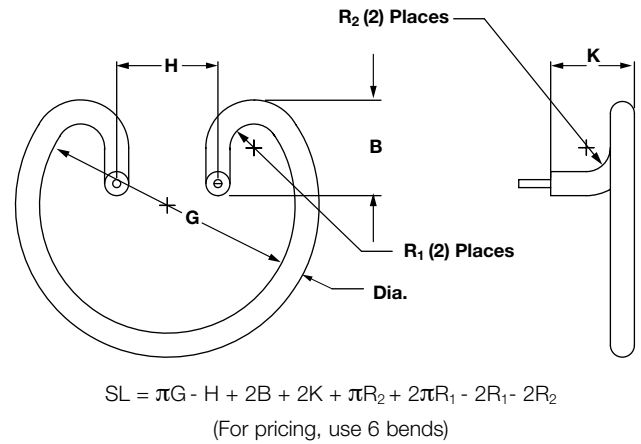


Figure 51

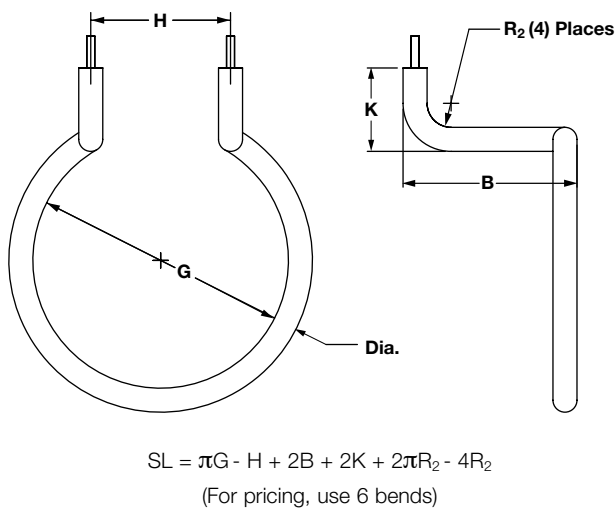
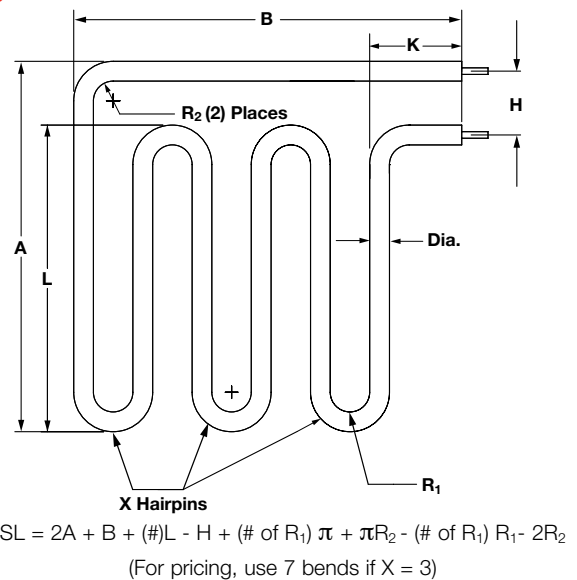


Figure 52

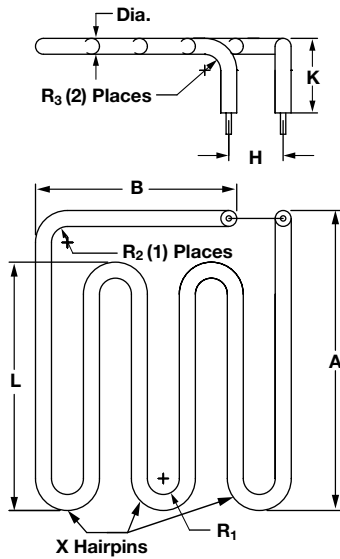


Tubular Heaters

WATROD Single/Double-Ended Heaters

Bend Formations (Continued)

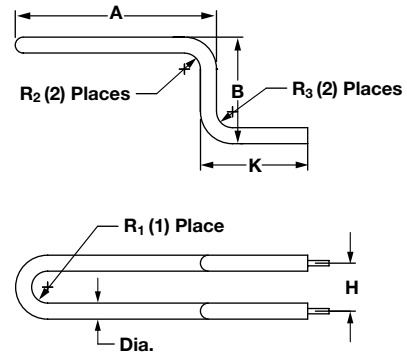
Figure 53



$$SL = 2A + (\#)L + B + 2K + (\# \text{ of } R_1)\pi + 2\left(\frac{\pi R_3}{2}\right) - (\# \text{ of } R_1)R_1 - 2R_3 - R_2$$

(For pricing, use 8 bends if X = 3)

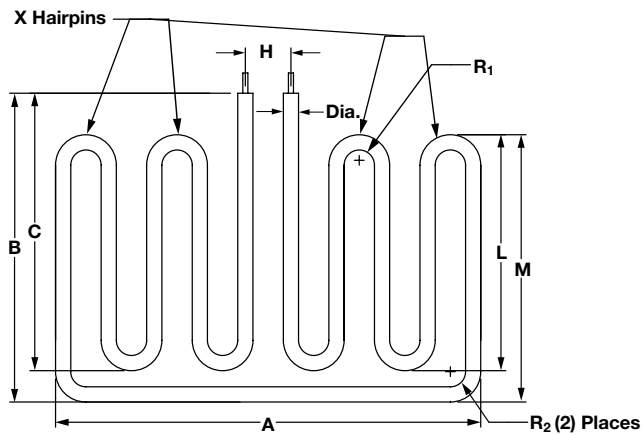
Figure 54



$$SL = 2A + 2B + 2K + \pi R_1 + 2\pi R_2 - R_1 - 4R_2$$

(For pricing, use 5 bends)

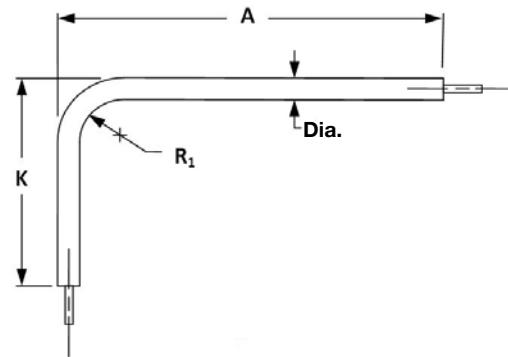
Figure 55



$$SL = A + 2C + 2M + (\#)L + (\# \text{ of } R_1)\pi + \pi R_2 - (\# \text{ of } R_1)R_1 - 2R_2$$

(For pricing, use 10 bends if X = 4)

Figure 56



$$SL = A + K - 0.86R_1$$

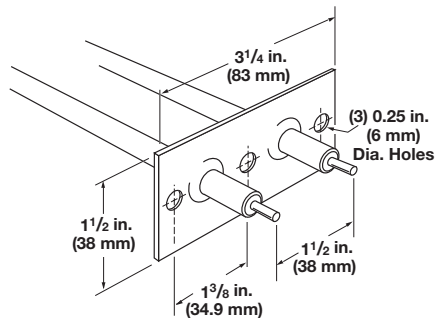
(For pricing, use 1 bend)

Tubular Heaters

WATROD Single/Double-Ended Heaters

Mounting Methods

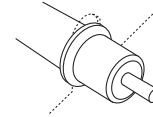
Brackets



A 0.065 in. (1.7 mm) thick stainless steel bracket provides element mounting in non-pressurized applications. Attached to the heater sheath, these brackets are not suited for liquid-tight mountings. The bracket is located 1/2 in. (13 mm) from the sheath's end, unless otherwise specified.

To order, specify **mounting bracket**.

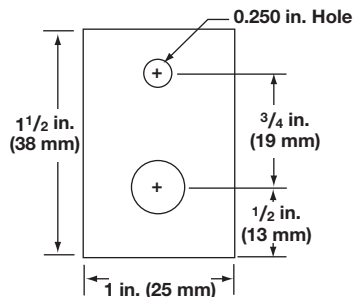
Locator Washers



Stainless steel locator washers retain the heated area of the sheath in the work zone, while allowing for expansion and contraction during cycling.

To order, specify **locator washer**, along with dimension from the heater's end.

Single Leg Bracket



A 1 1/2 in. (38 mm) x 1 in. (25 mm) wide x 16 gauge stainless steel bracket with one element hole and one mounting hole 1/2 in. (13 mm) from end.

To order, specify **single leg bracket**.

Tubular Heaters

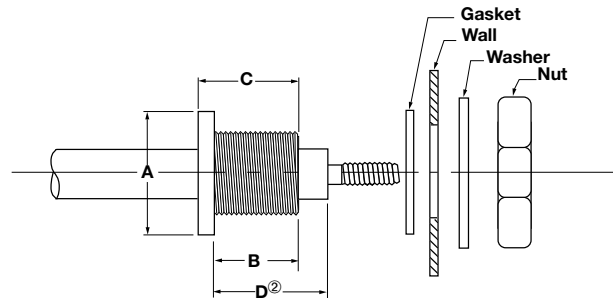
WATROD Single/Double-Ended Heaters

Mounting Methods (Continued)

Threaded Bulkheads

A threaded bushing with flange on the heater sheath provides rigid, leak-proof mounting through the walls of tanks. A gasket, plated steel washer and hex nut are included. The threaded end of the bushing is flush with the sheath's end unless otherwise specified. Threaded bulkheads are available in brass, steel or stainless steel as indicated in the table.

To order, specify **threaded bulkheads** and the specifications from the table.



Threaded Bulkhead Specifications

Element Diameter in. (mm)	Material	Thread Size	A ① Flange Size/Style		B Threaded Length		C Overall Length	
			in.	(mm)	in.	(mm)	in.	(mm)
0.260 (6.6)	Brass	1/2 - 20 UNF	3/4	Round (19.0)	5/8	(15.9)	3/4	(19.0)
0.260 (6.6)	SS	1/2 - 20 UNF	3/4	Round (19.0)	5/8	(15.9)	3/4	(19.0)
0.315 (8.0)	Brass	1/2 - 20 UNF	3/4	Round (19.0)	5/8	(15.9)	3/4	(19.0)
0.315 (8.0)	Steel	1/2 - 20 UNF	3/4	Hex (19.0)	3/4	(19.0)	15/16	(23.8)
0.315 (8.0)	SS	1/2 - 20 UNF	3/4	Round (19.0)	3/4	(19.0)	27/32	(21.4)
0.375 (9.5)	Brass	1/2 - 20 UNF	3/4	Round (19.0)	5/8	(15.9)	3/4	(19.0)
0.375 (9.5)	Steel	1/2 - 20 UNF	3/4	Hex (19.0)	3/4	(19.0)	15/16	(23.8)
0.375 (9.5)	SS	1/2 - 20 UNF	3/4	Round (19.0)	3/4	(19.0)	27/32	(21.4)
0.430 (10.9)	Brass	5/8 - 18 UNF	7/8	Hex (22.2)	3/4	(19.0)	15/16	(23.8)
0.430 (10.9)	Steel	5/8 - 18 UNF	7/8	Round (22.2)	3/4	(19.0)	15/16	(23.8)
0.430 (10.9)	SS	5/8 - 18 UNF	1	Round (25.0)	3/4	(19.0)	15/16	(23.8)
0.475 (12.1)	Brass	5/8 - 18 UNF	7/8	Round (22.2)	3/4	(19.0)	15/16	(23.8)
0.475 (12.1)	Steel	5/8 - 18 UNF	1	Round (25.0)	1	(25.0)	1 1/8	(28.6)
0.475 (12.1)	SS	5/8 - 18 UNF	1	Round (25.0)	3/4	(19.0)	15/16	(23.8)

① Designates the dimension across flats for hex flange style and outside diameter for round flange style.

② Equal to "B" dimension unless otherwise specified.

Tubular Heaters

**EXTENDED
CAPABILITY**

Extended Capabilities For WATROD Single/Double-Ended Heaters

Options

Terminal Enclosures

General purpose terminal enclosures, without thermostats, are standard on all screw plug immersion heaters. To meet specific application requirements, Watlow offers the following optional terminal enclosures:

- General purpose with single or double pole thermostat
- Moisture-resistant or corrosion resistant—available with optional single or double pole thermostat
- Explosion-resistant class 1, groups B, C and D explosion resistant—available with optional single or double-pole thermostat.
- Explosion and moisture-resistant combination—available with optional single- or double-pole thermostat

Zoned Heaters

Multiple zone heaters with up to (5) zones are available.

Features and Benefits

Standard sheath materials

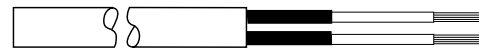
- Optional materials available which include titanium, alloy 20, Hastelloy C276, 321 SS and alloy 400

Specifications

Double-Ended



Single-Ended

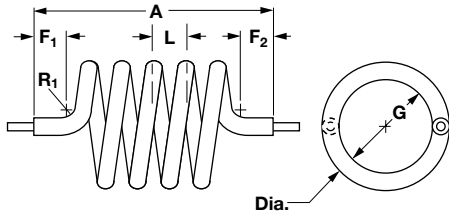


Element Diameters in. (mm) and Surface Area per Linear in ² (cm ²) Diameter Tolerance ± 0.005 in. (0.13 mm)	Double-Ended		Single-Ended					
	Dia. in. in ²	in ²	Dia. (mm) cm ²	cm ²	Dia. in. in ²	in ²	Dia. (mm) cm ²	cm ²
	0.490	1.539	(12.45)	(9.93)	0.490	1.539	(12.45)	(9.930)
Sheath Materials Max. Operating Temperature	Extended: Alloy 400 Titanium	Contact Watlow Contact Watlow			Extended: Alloy 600 Steel	1800°F (980°C) 750°F (400°C)		
Sheath Length By Diameter in. (mm)	Dia. Extended: 0.490	Sheath Length (in.) 11 to 265	Dia. (mm) (12.45)	Sheath Length (mm) (280 to 6731)	Dia. Extended: 0.490	Sheath Length (in.) 11 to 125	Dia. (mm) (12.45)	Sheath Length (mm) (280 to 3175)
Max. Voltage/Amperage By Dia. in. (mm)	Dia. 0.490 (12.45)	Volts 600VAC	Ampere 40		Dia. 0.490 (12.45)	Volts 480VAC	Ampere 30	
Ohms Per Heated Inch By Dia.	Dia. 0.490	Min. 0.035Ω	Max. 21Ω		Dia. 0.490	Min. 0.150Ω	Max. 24Ω	

Extended Capabilities For WATROD Single/Double-Ended Heaters

Bend Formations

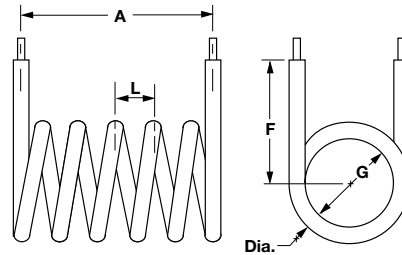
Figure 33



$$SL = [(G + \text{Dia.}) (3.14) (\text{Number of } 360^\circ\text{'s}) + F_1 + F_2]$$

(For pricing, contact Watlow)

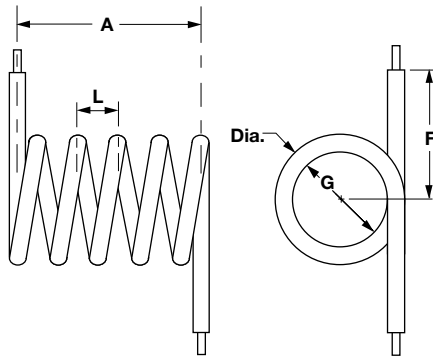
Figure 34



$$SL = [(G + \text{Dia.}) (3.14) (\text{Number of } 360^\circ\text{'s}) + 2F]$$

(For pricing, contact Watlow)

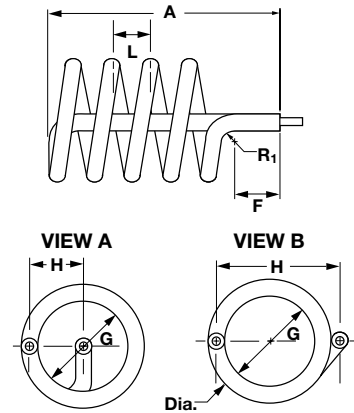
Figure 35



$$SL = [(G + \text{Dia.}) (3.14) (\text{Number of } 360^\circ\text{'s}) + 2F]$$

(For pricing, contact Watlow)

Figure 36



$$SL = [(G + \text{Dia.}) (3.14) (\text{Number of } 360^\circ\text{'s}) + (G \div 2) + A + F]$$

(For pricing, contact Watlow)

Tubular Heaters

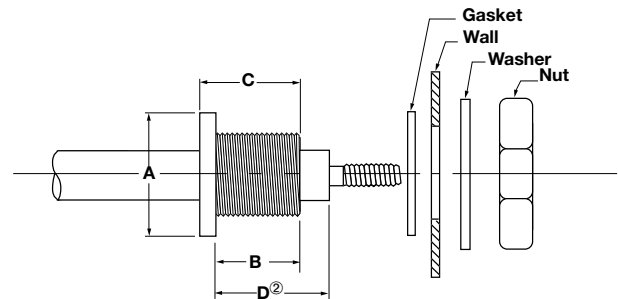
Extended Capabilities For WATROD Single/Double-Ended Heaters

Mounting Methods

Threaded Bulkheads

A threaded bushing with flange on the heater sheath provides rigid, leak-proof mounting through the walls of tanks. A gasket, plated steel washer and hex nut are included. The threaded end of the bushing is flush with the sheath's end unless otherwise specified. Threaded bulkheads are available in brass, steel or stainless steel as indicated in the table.

To order, specify **threaded bulkheads** and the specifications from the table.



Threaded Bulkhead Specifications

Element Diameter		Material	Thread Size	A ① Flange Size/Style		B Threaded Length		C Overall Length	
in.	(mm)			in.	(mm)	in.	(mm)	in.	(mm)
0.260	(6.6)	Steel	1/2 - 20 UNF	3/4 Hex	(19.0)	5/8	(15.9)	3/4	(19.0)
0.430	(10.9)	Titanium	5/8 - 18 UNF	1 Round	(25.0)	3/4	(19.0)	15/16	(23.8)
0.490	(12.5)	Brass	3/4 - 16 UNF	1 Round	(25.0)	3/4	(19.0)	1	(25.0)
0.490	(12.5)	Steel	3/4 - 16 UNF	1 Hex	(25.0)	3/4	(19.0)	1	(25.0)
0.490	(12.5)	SS	3/4 - 16 UNF	1 Round	(25.0)	3/4	(19.0)	1	(25.0)

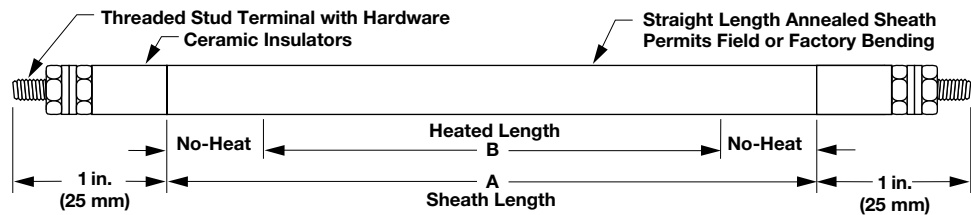
① Designates the dimension across flats for hex flange style and outside diameter for round flange style.

② Equal to "B" dimension unless otherwise specified.

Tubular Heaters

WATROD Single/Double-Ended Heaters

Double-Ended WATROD



WATROD Description	Sheath A Dimension		Heated B Dimension		Watts	Part Number			Est. Net Wt.	
	in.	(mm)	in.	(mm)		120VAC	240VAC	480VAC	lbs	(kg)

Applications: Medium-Weight, Non-Circulating Oil, Heat-Transfer Oil

15 W/in² 0.475 in. Dia. Steel (2.3 W/cm²) (12 mm)	29 ⁷ / ₈	(758.8)	22 ³ / ₈	(568.4)	500	RGSS29R10S			1.0	(0.5)
	38 ³ / ₈	(974.7)	29 ⁷ / ₈	(758.8)	667	RGSS38G10S	RGSS38G11S		1.3	(0.6)
	44 ³ / ₄	(1137.0)	37 ¹ / ₄	(946.0)	833	RGSS44G10S	RGSS44G11S		1.7	(0.8)
	53 ³ / ₈	(1355.7)	44 ³ / ₄	(1137.0)	1000	RGSS53G10S	RGSS53G11S		1.9	(0.9)
	68 ³ / ₈	(1736.7)	59 ⁵ / ₈	(1514.4)	1333	RGSS68G10S	RGSS68G11S		2.1	(1.0)
	83 ³ / ₈	(2117.7)	74 ¹ / ₂	(1892.0)	1667	RGSS83G10S	RGSS83G11S		2.5	(1.1)
	98 ³ / ₈	(2498.7)	89 ¹ / ₂	(2273.0)	2000	RGSS98G10S	RGSS98G11S		3.0	(1.4)
	120 ³ / ₈	(3057.5)	111 ⁷ / ₈	(2841.6)	2500	RGSS120G10S ①	RGSS120G11S ①		3.9	(1.8)
142 ⁷ / ₈	(3629.1)	134 ¹ / ₄	(3410.0)	3000	RGSS142R10S ①	RGSS142R11S ①		4.1	(1.9)	

Application: Air Heating

20 W/in² 0.430 in. Dia. Alloy 840 (3.1 W/cm²) (10.9 mm)	48 ³ / ₄	(1238.0)	38 ³ / ₄	(984.0)	1000	RCN48N10S	RCN48N11S		1.0	(0.5)
	58 ³ / ₄	(1492.0)	48 ³ / ₄	(1238.0)	1250	RCN58N10S	RCN58N11S		1.1	(0.5)
	73 ³ / ₄	(1873.0)	63 ³ / ₄	(1619.0)	1667		RCN73N11S		1.4	(0.7)
	91 ³ / ₄	(2330.0)	81 ³ / ₄	(2076.0)	2083		RCN91N11S		1.7	(0.8)

Applications: Caustic Solutions, Air Heating

23 W/in² 0.315 in. Dia. Alloy 800 (3.6 W/cm²) (8 mm)	29	(737.0)	22	(559.0)	500	RBN291S			0.4	(0.2)
	40	(1016.0)	33	(839.0)	750	RBN401S			0.5	(0.3)
	51	(1296.0)	44	(1118.0)	1000	RBN511S			0.7	(0.4)
23 W/in² 0.475 in. Dia. Alloy 800 (3.6 W/cm²) (12 mm)	39	(991.0)	27	(686.0)	1000	RGNA391S	RGNA3910S	RGNA3911S	1.2	(0.6)
	54	(1372.0)	42	(1067.0)	1500		RGNA5410S	RGNA5411S	1.6	(0.8)
	69	(1753.0)	57	(1448.0)	2000		RGNA6910S	RGNA6911S	2.1	(1.0)
	84	(2134.0)	72	(1829.0)	2500		RGNA8410S	RGNA8411S	2.5	(1.2)
	99	(2515.0)	87	(2210.0)	3000	RGNA9910S	RGNA9911S	3.0	(1.4)	
	106	(2692.0)	94	(2388.0)	2778		RGNA10611S ①		3.2	(1.5)
	132	(3353.0)	120	(3048.0)	4167	RGNA13210S ①	RGNA13211S ①	4.0	(1.8)	
157	(3988.0)	145	(3683.0)	5000	RGNA15710S ①	RGNA15711S ①	4.7	(2.2)		

Applications: Light Oils, Greases, Heat-Transfer Oils

23 W/in² 0.315 in. Dia. Steel (3.6 W/cm²) (8 mm)	16	(406.0)	12	(305.0)	250	RBS161S	RBS1610S		0.2	(0.1)
	18	(457.0)	14	(356.0)	250	RBS181S			0.3	(0.2)
	21	(533.0)	17	(432.0)	350	RBS211S	RBS2110S		0.3	(0.2)
	23 ³ / ₈	(593.7)	19 ³ / ₈	(492.1)	375	RBS23G1S			0.3	(0.2)
	28 ⁷ / ₈	(733.4)	24 ⁷ / ₈	(631.8)	500	RBS28R1S			0.4	(0.2)
	29	(737.0)	24	(610.0)	500	RBS291S	RBS2910S		0.4	(0.2)
	42	(1067.0)	37	(940.0)	750	RBS421S	RBS4210S		0.6	(0.3)
	54	(1372.0)	49	(1245.0)	1000	RBS541S	RBS5410S		0.7	(0.4)
	77	(1956.0)	72	(1829.0)	1500	RBS771S	RBS7710S		1.0	(0.5)

CONTINUED

RAPID SHIP

Truck Shipment only

• Next day shipment up to 15 pieces

• ① - Manufacturing lead times

Tubular Heaters

WATROD Single/Double-Ended Heaters

Double-Ended WATROD (Continued)

WATROD Description	Sheath A Dimension		Heated B Dimension		Watts	Part Number			Est. Net Wt.	
	in.	(mm)	in.	(mm)		120VAC	240VAC	480VAC	lbs	(kg)
23 W/in² 0.475 in. Dia. Steel (3.6 W/cm²) (12 mm)	23	(584)	14	(356)	500	RGS231S	RGS2310S		0.7	(0.4)
	31	(787)	22	(559)	750	RGS311S	RGS3110S		1.0	(0.5)
	39	(991)	27	(686)	1000	RGS391S	RGS3910S	RGS3911S	1.2	(0.6)
	45	(1143)	36	(914)	1250	RGS451S	RGS4510S		1.4	(0.7)
	54	(1372)	42	(1067)	1500	RGS541S	RGS5410S	RGS5411S	1.6	(0.8)
	69	(1753)	57	(1448)	2000	RGS691S	RGS6910S	RGS6911S	2.1	(1.0)
	84	(2134)	72	(1829)	2500	RGS841S	RGS8410S	RGS8411S	2.5	(1.2)
	99	(2515)	87	(2210)	3000		RGS9910S	RGS9911S	3.0	(1.4)
	106	(2692)	90	(2286)	2778			RGS10611S ①	3.2	(1.5)
	132	(3353)	120	(3048)	4167		RGS13210S ①	RGS13211S ①	4.0	(1.8)
	144	(3658)	128	(3251)	3889			RGS14411S ①	4.3	(2.0)
	157	(3988)	145	(3683)	5000		RGS15710S ①	RGS15711S ①	4.7	(2.2)

Applications: Light Oils, Greases, Heat-Transfer Oils

Application: Air Heating

30 W/in² 0.260 in. Dia. Alloy 840 (4.7 W/cm²) (6.6 mm)	20	(508)	15	(381)	400		RAN2010S		0.2	(0.1)	
	25	(635)	20	(508)	500		RAN2510S		0.3	(0.2)	
	30	(762)	25	(635)	600		RAN3010S		0.3	(0.2)	
	35	(889)	30	(762)	800		RAN3510S		0.4	(0.2)	
	40	(1016)	35	(889)	900		RAN4010S		0.4	(0.2)	
	45	(1143)	40	(1016)	1000		RAN4510S		0.5	(0.3)	
	50	(1270)	45	(1143)	1200		RAN5010S		0.5	(0.3)	
	55	(1397)	50	(1270)	1200		RAN5510S		0.6	(0.3)	
	60	(1524)	55	(1397)	1400		RAN6010S		0.6	(0.3)	
	65	(1651)	60	(1524)	1600		RAN6510S		0.7	(0.4)	
	70	(1778)	65	(1651)	1800		RAN7010S		0.7	(0.4)	
	75	(1905)	70	(1778)	1800		RAN7510S		0.8	(0.4)	
	80	(2032)	75	(1905)	2000		RAN8010S		0.8	(0.4)	
	30 W/in² 0.315 in. Dia. Alloy 840 (4.7 W/cm²) (8 mm)	15	(381)	10	(254)	300		RBN1510S		0.2	(0.1)
		20	(508)	15	(381)	400		RBN2010S		0.3	(0.2)
25		(635)	20	(508)	600		RBN2510S		0.4	(0.2)	
30		(762)	25	(635)	800		RBN3010S		0.4	(0.2)	
35		(889)	30	(762)	900		RBN3510S		0.5	(0.3)	
40		(1016)	35	(889)	1000		RBN4010S		0.5	(0.3)	
45		(1143)	40	(1016)	1200		RBN4510S		0.6	(0.3)	
50		(1270)	45	(1143)	1400		RBN5010S		0.7	(0.4)	
55		(1397)	50	(1270)	1600		RBN5510S		0.7	(0.4)	
60		(1524)	55	(1397)	1800		RBN6010S		0.8	(0.4)	
65		(1651)	60	(1524)	1800		RBN6510S		0.8	(0.4)	
70		(1778)	65	(1651)	2000		RBN7010S		0.9	(0.5)	
75		(1905)	70	(1778)	2200		RBN7510S		1.0	(0.5)	
80		(2032)	75	(1905)	2400		RBN8010S		1.0	(0.5)	
90		(2286)	85	(2159)	2600		RBN9010S		1.2	(0.6)	
100	(2540)	95	(2413)	3000		RBN10010S		1.3	(0.6)		

CONTINUED

RAPID SHIP

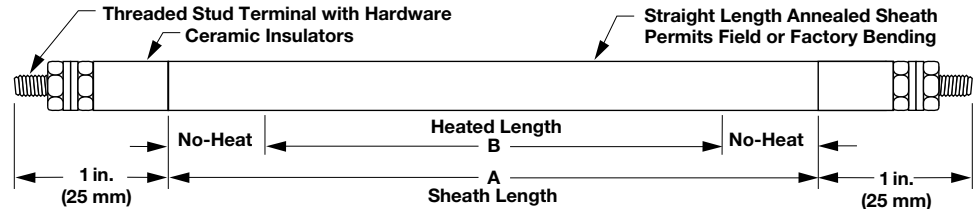
- Next day shipment up to 15 pieces
- ① - Manufacturing lead times

Truck Shipment only

Tubular Heaters

WATROD Single/Double-Ended Heaters

Double-Ended WATROD (Continued)



WATROD Description	Sheath A Dimension		Heated B Dimension		Watts	Part Number			Est. Net Wt.	
	in.	(mm)	in.	(mm)		120VAC	240VAC	480VAC	lbs	(kg)

Application: Air Heating

30 W/in ² 0.430 in. Dia. Alloy 840 (4.7 W/cm ²) (10.9 mm)	15	(381.0)	10	(254.0)	400		RCN1510S		0.3	(0.2)
	20	(508.0)	15	(381.0)	600		RCN2010S		0.4	(0.2)
	25	(635.0)	20	(508.0)	800		RCN2510S		0.5	(0.3)
	30	(762.0)	25	(635.0)	1000		RCN3010S		0.6	(0.3)
	35	(889.0)	30	(762.0)	1200		RCN3510S		0.7	(0.4)
	40	(1016.0)	35	(889.0)	1400		RCN4010S		0.8	(0.4)
	48 ^{3/4}	(1238.0)	38 ^{3/4}	(984.0)	1500		RCNX48N10S	RCNX48N11S	1.0	(0.5)
	45	(1143.0)	40	(1016.0)	1600		RCN4510S		0.9	(0.5)
	50	(1270.0)	45	(1143.0)	1800		RCN5010S		1.0	(0.5)
	58 ^{3/4}	(1492.0)	48 ^{3/4}	(1238.0)	1917		RCNX58N10S	RCNX58N11S	1.1	(0.5)
	55	(1397.0)	50	(1270.0)	2000		RCN5510S		1.0	(0.5)
	60	(1524.0)	55	(1397.0)	2200		RCN6010S		1.1	(0.5)
	65	(1651.0)	60	(1524.0)	2400		RCN6510S		1.2	(0.6)
	73 ^{3/4}	(1873.0)	63 ^{3/4}	(1619.0)	2500			RCNX73N11S	1.4	(0.7)
	70	(1778.0)	65	(1651.0)	2600		RCN7010S		1.3	(0.6)
	75	(1905.0)	70	(1778.0)	2800		RCN7510S		1.4	(0.7)
	80	(2032.0)	75	(1905.0)	3000		RCN8010S		1.5	(0.7)
	91 ^{3/4}	(2331.0)	81 ^{3/4}	(2077.0)	3167			RCNX91N11S	1.7	(0.8)
90	(2286.0)	85	(2159.0)	3500		RCN9010S		1.7	(0.8)	
100	(2540.0)	95	(2413.0)	4000		RCN10010S ^①		1.9	(0.9)	
110	(2794.0)	105	(2667.0)	4500		RCN11010S ^①		2.1	(1.0)	
120	(3048.0)	115	(2921.0)	5000		RCN12010S ^①		2.3	(1.1)	

Application: Radiant Heating

40 W/in ² 0.375 in. Dia. Alloy 800 (6.2 W/cm ²) (9.5 mm)	10 ^{1/4}	(260.0)	7 ^{1/4}	(184.0)	400	RDN10E1S			0.2	(0.1)
	16 ^{5/8}	(422.1)	13 ^{5/8}	(346.1)	650	RDN16L1S			0.3	(0.2)
	21 ^{1/16}	(535.0)	16 ^{13/16}	(427.0)	800	RDN21B1S	RDN21B10S		0.4	(0.2)
	27 ^{1/8}	(689.0)	22 ^{7/8}	(581.0)	1100	RDN27C1S	RDN27C10S		0.5	(0.3)
	32 ^{1/8}	(816.0)	27 ^{7/8}	(708.0)	1300		RDN32C10S	RDN32C11S	0.6	(0.3)
	42 ^{7/8}	(1089.0)	38 ^{5/8}	(981.1)	1800		RDN42R10S	RDN42R11S	0.8	(0.4)
	57 ^{1/2}	(1461.0)	53 ^{1/4}	(1353.0)	2500		RDN57J10S	RDN57J11S	1.1	(0.5)
	69 ^{1/4}	(1759.0)	65	(1651.0)	3000		RDN69E10S	RDN69E11S	1.3	(0.6)
	81 ^{1/4}	(2064.0)	77	(1956.0)	3600		RDN81E10S	RDN81E11S	1.6	(0.8)
	109 ^{1/4}	(2775.0)	105	(2667.0)	4000		RDN109E10S ^①		2.1	(1.0)
	134 ^{1/2}	(3416.0)	127 ^{3/4}	(3245.0)	5000		RDN134J10S ^①		2.6	(1.2)
	153 ^{3/8}	(3895.7)	145 ^{7/8}	(3705.2)	5500		RDN153R10S ^①		2.9	(1.4)
	179 ^{1/4}	(4553.0)	171 ^{1/4}	(4350.0)	6500		RDN179E10S ^①		3.4	(1.6)

CONTINUED

RAPID SHIP

Truck Shipment only

• Next day shipment up to 15 pieces

• ① - Manufacturing lead times

Tubular Heaters

WATROD Single/Double-Ended Heaters

Double-Ended WATROD (Continued)

Special 208VAC and 277VAC Voltages

WATROD Description	Sheath A Dimension		Heated B Dimension		Watts	Part Number		Est. Net Wt.	
	in.	(mm)	in.	(mm)		208VAC	277VAC	lbs	(kg)

Application: Radiant Heating

40 W/in² 0.375 in. Dia. Alloy 800	21 ¹ / ₁₆	(535)	16 ¹³ / ₁₆	(427)	800	RDN21B2S ^①	RDN21B4S ^①	0.4	(0.2)
	27 ¹ / ₈	(689)	22 ⁷ / ₈	(581)	1100	RDN27C2S ^①	RDN27C4S ^①	0.5	(0.3)
	42 ⁷ / ₈	(1089)	38 ⁵ / ₈	(981)	1800	RDN42R2S ^①	RDN42R4S ^①	0.8	(0.4)
(6.2 W/cm²) (9.5 mm)	57 ¹ / ₂	(1461)	53 ¹ / ₄	(1353)	2500	RDN57J2S ^①	RDN57J4S ^①	1.1	(0.5)
	69 ¹ / ₄	(1759)	65	(1651)	3000	RDN69E2S ^①	RDN69E4S ^①	1.3	(0.6)
	81 ¹ / ₄	(2064)	77	(1956)	3600	RDN81E2S ^①	RDN81E4S ^①	1.6	(0.8)

WATROD Description	Sheath A Dimension		Heated B Dimension		Watts	Part Number			Est. Net Wt.	
	in.	(mm)	in.	(mm)		120VAC	240VAC	480VAC	lbs	(kg)

Application: Process Water

48 W/in² 0.475 in. Dia. Alloy 800 (7.4 W/cm²) (12 mm)	23	(584)	14	(356)	1000	RGN231S	RGN2310S	RGN2311S	0.7	(0.4)
	30	(762)	21	(533)	1500	RGN301S	RGN3010S	RGN3011S	0.9	(0.5)
	39	(991)	27	(686)	2000	RGN391S	RGN3910S	RGN3911S	1.2	(0.6)
	44	(1118)	35	(889)	2500	RGN441S	RGN4410S	RGN4411S	1.3	(0.6)
	54	(1372)	42	(1067)	3000		RGN5410S	RGN5411S	1.6	(0.8)
	69	(1753)	57	(1448)	4000		RGN6910S	RGN6911S	2.1	(1.0)
	84	(2134)	72	(1829)	5000		RGN8410S	RGN8411S	2.5	(1.2)
	92	(2337)	76	(1930)	5556			RGN9211S	2.8	(1.3)
	99	(2515)	87	(2210)	6000		RGN9910S	RGN9911S	3.0	(1.4)
	149	(3785)	133	(3378)	9722			RGN14911S ^①	4.5	(2.1)

Application: Hot Runner Molds (Manifolds)

60 W/in² 0.315 in. Dia. 316 SS (9.3 W/cm²) (8 mm)	35	(889)	25	(635)	1500		RBR3510S		0.2	(0.1)
	44	(1118)	34	(864)	2000		RBR4410S		0.3	(0.2)
	52	(1321)	42	(1067)	2500		RBR5210S		0.3	(0.2)
	60	(1524)	50	(1270)	3000		RBR6010S		0.4	(0.2)
	69	(1753)	59	(1499)	3500		RBR6910S		0.4	(0.2)
	77	(1956)	67	(1702)	4000		RBR7710S		0.5	(0.3)
	85	(2159)	75	(1905)	4500		RBR8510S		0.6	(0.3)

Applications: Deionized Water, Demineralized Water

60 W/in² 0.475 in. Dia. 316 SS (9.3 W/cm²) (12 mm)	20	(508)	11	(279)	1000	RGR201S RGR261S	RGR2010S	RGR2011S	0.6	(0.3)
	26	(660)	17	(432)	1500		RGR2610S	RGR2611S	0.8	(0.4)
	34	(864)	22	(559)	2000		RGR3410S	RGR3411S	1.0	(0.5)
	40	(1016)	28	(711)	2500		RGR4010S	RGR4011S	1.2	(0.6)
	47	(1194)	31	(787)	2778			RGR4711S	1.4	(0.7)
	46	(1168)	34	(864)	3000		RGR4610S	RGR4611S	1.4	(0.7)
	57	(1448)	45	(1143)	4000		RGR5710S	RGR5711S	1.7	(0.8)
	68	(1727)	56	(1422)	5000		RGR6810S	RGR6811S	2.1	(1.0)
	79	(2007)	67	(1702)	6000		RGR7910S	RGR7911S	2.4	(1.1)
	105	(2667)	93	(2362)	8333			RGR10511S ^①	3.2	(1.5)

CONTINUED

RAPID SHIP

Truck Shipment only

- Next day shipment up to 15 pieces
- ① - Manufacturing lead times

Tubular Heaters

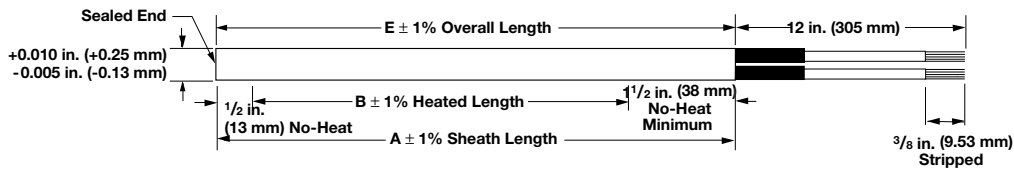
WATROD Single/Double-Ended Heaters

Single-Ended WATROD

Application Hints

The single-ended WATROD heater's construction limits its usefulness in some applications. The following are some guides to follow when considering a single-ended WATROD.

- When single-ended termination simplifies application wiring.
- The application requires lower wattage or a smaller package.
- Do not locate the end of the heated length within a bend, unless the radius is 3 in. (75 mm) or more. Field bending is not recommended.
- Bending is limited to bend Figures 1, 6, 22 and 28 (see pages 67 to 72 for details).
- Ensure termination temperatures do not exceed 390°F (200°C) or the seal's maximum rating.
- Keep terminations clean, dry and tight.



Tubular Heaters

WATROD Double-Ended Heaters

High-Temperature Tubular Heaters

Watlow manufactures high-temperature tubular heaters to bridge the gap between standard tubular heaters and Watlow MULTICELL™ heaters. This tubular is well suited for process air heating applications in excess of 1300°F (704°C), resulting in a maximum sheath temperature of 1800°F (983°C). Controlled lab testing between the new design and current tubular designs show an increase in life of approximately 50 percent.

The high-temperature tubular consists of an engineered tubing with an outer sheath of alloy 600 and a special internal construction. The outer sheath offers high temperature capabilities, reduced oxidation as well as corrosion resistance.

The tubular offering is available in 0.430 and 0.375 inch diameters that are configurable either as formed tubulars or process heaters. The heaters can also be welded to flanges and plates for mounting purposes. Maximum sheath length available is 275 inches for the 0.430 inch and 0.375 inch diameters. The factory should be contacted for longer sheath lengths.

Features and Benefits

Alloy 600 sheath material and a special internal construction

- Assures high temperature performance and corrosion protection in tough applications

0.430 inch diameters*

- Allows heater to be configured to existing tubular designs that may be experiencing short life

***Note: 0.375 diameters are available in Watlow's extended capabilities, contact your Watlow representative for details.**

Dual-ended termination

- Installs into flanges and screw plugs similarly to standard product configurations

Bendable in standard formations

- Makes the heater easy to apply in a wide variety of applications



Typical Applications

- High temperature ovens and furnaces
- Radiant heating
- Drying
- Environmental—VOC abatement
- Process air heating: duct heaters, circulation heaters
- Vacuum applications
- Flue gas cleaning (desulphurization)
- Fluidized beds

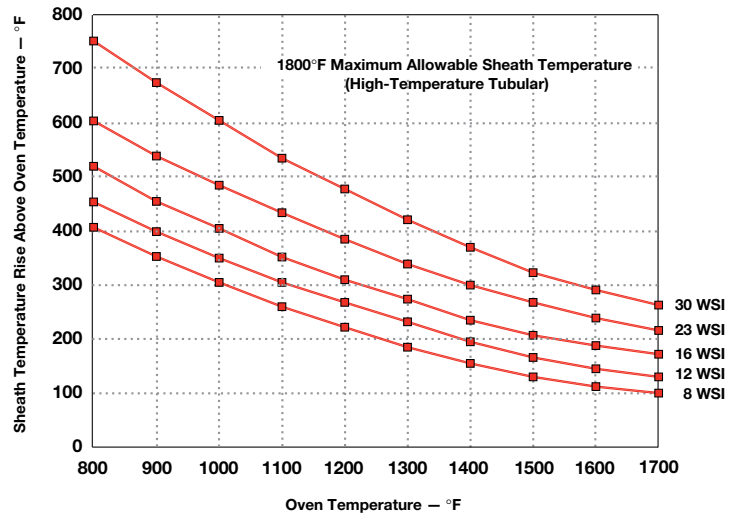
Tubular Heaters

WATROD Double-Ended Heaters

High-Temperature Tubular Heaters

Sheath Temperature Versus Oven Temperature at Various Watt Densities

This chart is used to verify the correct watt density for an oven application assuming no air flow. To use the chart, first select the oven process temperature on the X axis, using the chosen watt density read the sheath temperature rise above oven temperature from the Y axis. This number should then be added to oven temperature. If this number is greater than 1800°F (982°C), a lower watt density should be chosen.

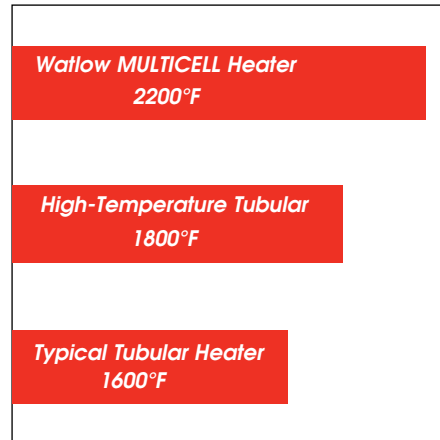


Heater Life Estimate Service

Watlow now provides an industry first service with the offering of the high-temperature tubular. By providing operating parameters, Watlow provides customers with the estimated life of the heater. To get this information, the following information should be provided:

- Heater voltage
- Heater wattage
- Heater diameter (0.430 or 0.375 in.)
- Heated length
- Bend configuration and dimensions (number of bends and radius)
- Application including process temperature
- Power switching device and cycle time (SCR, etc.)

High-Temperature Heater Comparisons



*Assuming normal design practices.

Tubular Heaters

EXTENDED
CAPABILITY

WATROD Single/Double-Ended Heaters

Extended Capabilities For MULTICOIL™ Tubular Heaters

The tubular element with multiple coils and/or thermocouples inside one sheath from Watlow answers the need for a versatile, innovative tubular heater. Watlow's patented method of packaging a thermocouple inside of a heater with one or more resistance coils, gives the ability to sense a heaters' internal temperature accurately, every time.

Moreover, this is the first tubular heater in the industry with three-phase capability. The three coil, three-phase heater will offer a compact package solution while delivering the full power required in a compact heater package. Previously three separate heaters would have been required to do the same job; therefore Watlow's MULTICOIL™ heater capabilities save money.

Performance Capabilities

- Watt densities up to 60 W/in² (9.3 W/cm²)
- Sheath temperatures up to 1600°F (870°C)
- 304 and 316 stainless steel sheath temperatures up to 1200°F (650°C)

Features and Benefits

Three-phase capability

- Results in one element versus three, lower amperage, reduced installation time and lower overall cost

Single-ended

- Allows for mounting in a 1/2 inch NPT or 3/4 inch NPT fitting with three-phase capability
- Sensor is not available

Multiple coil operations

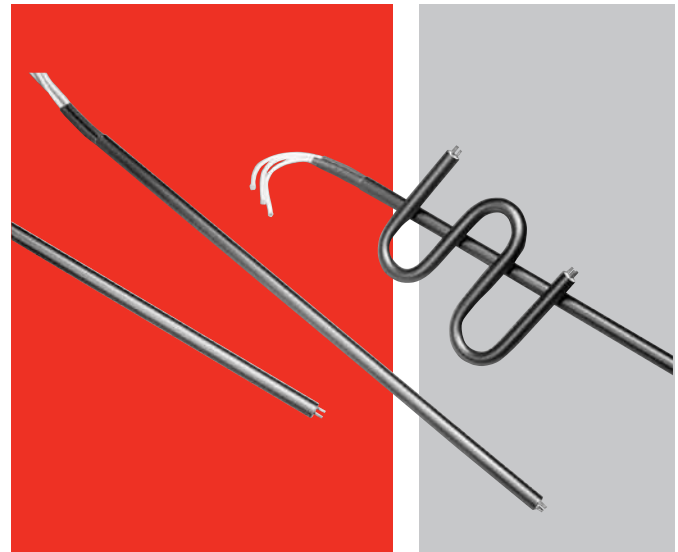
- Reduces inventory by allowing dual voltage capability

Versatile forming capabilities

- Forms into many configurations

Internal construction with sensor

- Allows space savings because drilling and tapping of flange is unnecessary; plus, the interior thermocouple eliminates contamination buildup around the external sensing tip, reducing the possibility of false readings



Typical Applications

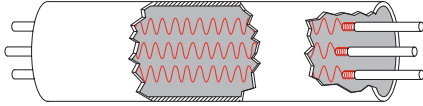
- Foodservice
- Process
- Medical
- Milled groove
- Plastics
- Plating
- Oven heating
- Semiconductor

WATROD Single/Double-Ended Heaters

Extended Capabilities For MULTICOIL Tubular Heaters

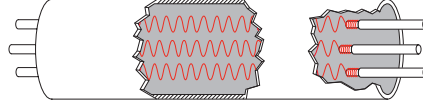
Options

Option A



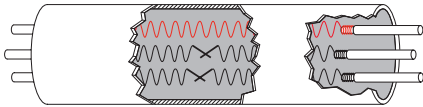
3-phase tubular, 0.475 and 0.490 inch diameter.

Option E



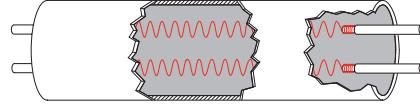
1-phase tubular with three different one phase circuits, 0.475 and 0.490 inch diameter.

Option C



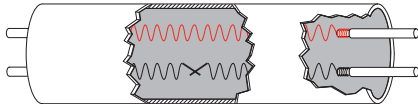
1-phase tubular with one resistance wire and two thermocouples, 0.475 and 0.490 inch diameter.

Option F



1-phase tubular with two resistance coils, 0.375, 0.430, 0.475 and 0.490 inch diameter.

Option D



1-phase tubular with one resistance coil and one thermocouple, 0.375, 0.430, 0.475 and 0.490 inch diameter.

Specifications

Termination Styles

- Lead wires 392°F (200°C)
Sil-A-Blend® or 482°F (250°C) GGS.

Moisture Seals

Moisture seals are required, options include:

- Epoxy with temperature rating to 356°F (180°C).
Typical applications include water/oil immersion.
- Lavacone with temperature rating to 221°F (105°C).
Typical application includes air heating.
- High-temperature ceramic rated to 2800°F (1538°C).
- Contact your Watlow representative for other moisture seal options.

Mounting options

- Mounting brackets
- Locator washers
- Water-tight bulkheads

Maximum trim length

- 237 in. (6020 mm), heater designs with trim length greater than 120 in. (3048 mm) must be reviewed with your Watlow representative.

Sheath materials

- Alloy 600, 800, 840, 304 and 316 stainless steel, contact your Watlow representative for other sheath material options.

Internal thermocouple options

- Type K is used, contact your Watlow representative for Type J thermocouple options.

WATROD Single/Double-Ended Heaters

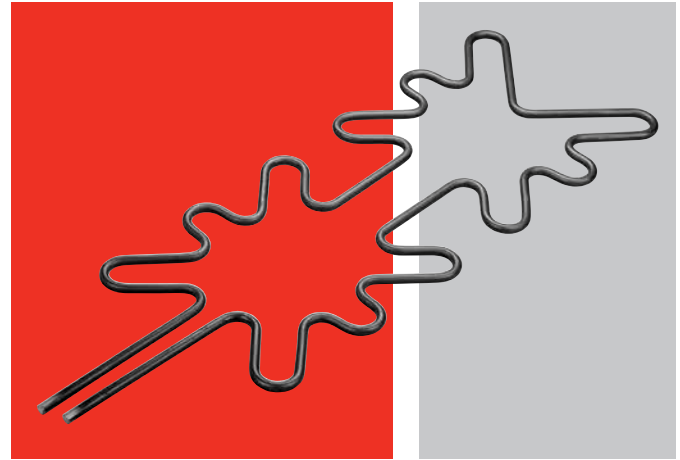
Extended Capabilities For Milled Groove Tubular Heaters

WATROD milled groove heaters are precision-formed and customized to your hot runner mold application. Even tight radius bends of 0.250 inch maintaining tolerances of ± 0.062 to ± 0.002 inch are possible. This capability not only allows you freedom to design for the optimum uniform heating pattern for your plastics process, but also guarantees quick and easy installation.

Simply send your groove dimensions in a detailed drawing or on CAD file. Depending on the formation requirements, the resulting CAD design will be transferred to either Watlow's CNC bending equipment or a highly skilled bending operator.

A variety of sheath materials are available including alloy 800, 304 stainless steel and 316 stainless steel; each offering unique advantages of long life in high temperature molds, rigidity to maintain shape during shipment and corrosion resistance.

Watlow not only delivers the heat fast to the process with efficient heat transfer, but guarantees the heater's fast delivery, too. While Watlow guarantees standard delivery within three to four weeks, tough delivery schedules are Watlow's specialty.



Features and Benefits

Precise conformity to customer specifications

- Ensures easy installation—bending tolerances as low as ± 0.002 in.

Common element diameters

- Includes 0.260, 0.315, 0.375 and 0.430 in. (6.6, 8, 9.5 and 10.9 mm) diameters

Alloy 800 sheath material

- Corrosion resistant, capable in high-temperature environments

304 stainless steel

- Excellent pliability, best choice for small bend radii

Superior resistance coil design

- Produces even heating

Threaded stud or lead wire termination as required

- Provides robust options for challenging environments

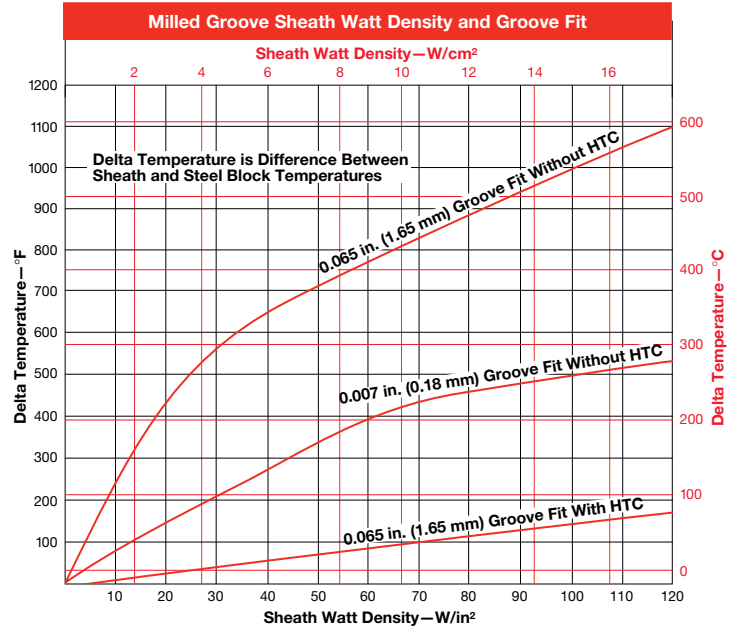
Typical Applications

- Hot runner molds
- Precise heat uniformity

WATROD Single/Double-Ended Heaters

Extended Capabilities For Milled Groove Tubular Heaters

Use the *Milled Groove Sheath Watt Density and Groove Fit* chart to find the recommended watt density or tightest groove fit. Optimum groove fit, without heat transfer cement, can be determined by plotting the intersect point between the required sheath watt density and the Delta temperature (T). If the Delta T is not known, simply subtract the mold temperature from the maximum 1000°F (540°C) sheath temperature. Any combination of watt density and groove fit which results in a Delta T below the recommended maximum will maximize heater life. Conversely, if the Delta T is greater, less heater life can be expected.



- Recommended maximum watt density = 40 to 70 W/in² (6.2 to 10.9 W/cm²)
- Recommended groove = 0.065 inch (1.65 mm) larger in diameter than sheath diameter and use heat transfer cement.
- Recommended heater sheath diameter = 0.315 in. (8 mm)
- Recommended maximum Delta T = 400°F (205°C)
- Maximum sheath temperature = 1000°F (540°C)
- Recommended sheath material = alloy 800

Tubular Heaters

FIREBAR® Single/Double-Ended Heaters

FIREBAR® heating elements provide added heating performance over standard round tubular heating elements—especially for immersion applications in petroleum based liquids requiring high kilowatts.

The FIREBAR's unique flat surface geometry packs more power in shorter elements and assemblies, along with a host of other performance improvements. These include:

- Minimizing coking and fluid degrading
- Enhancing the flow of fluid past the element's surface to carry heat from the sheath
- Improving heat transfer with a significantly larger boundary layer allowing much more liquid to flow up and across the sheath's surface

FIREBAR elements are available in single- and double-ended constructions with one inch or $\frac{5}{8}$ inch heights. These two configuration variables make it possible to use FIREBAR elements instead of round tubular elements in virtually all applications.

FINBAR™ is a special version of the one inch, single-ended FIREBAR. FINBAR is specially modified with fins to further increase surface area for air and gas heating applications. Details are contained in the *FINBAR* section, starting on page 112.

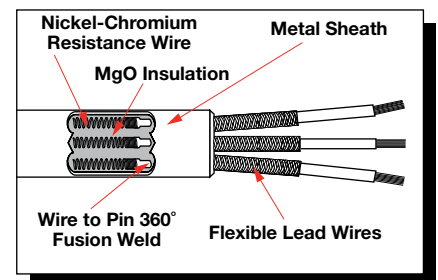
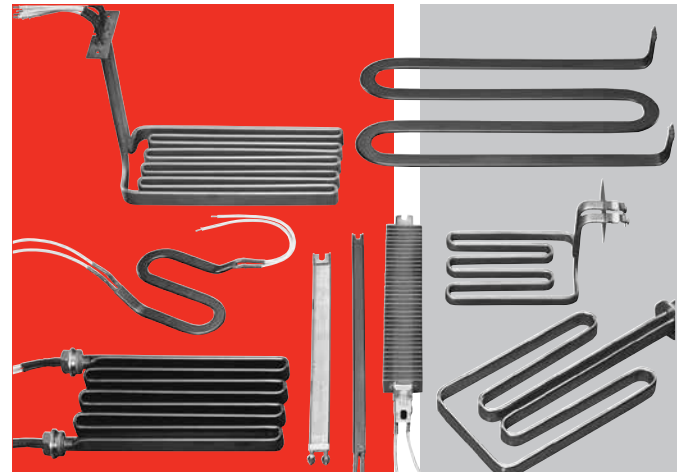
Double-Ended Performance Capabilities

One Inch

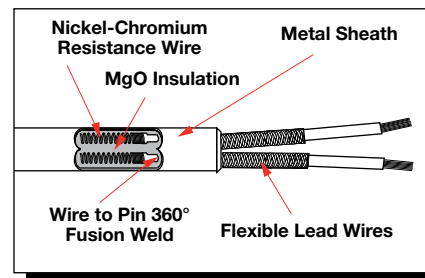
- Watt densities up to 120 W/in² (18.6 W/cm²)
- Sheath temperatures up to 1400°F (760°C)
- 304 stainless steel sheath temperatures up to 1200°F (650°C)
- Voltages up to 240VAC
- Amperages up to 48 amperes per heater or 16 amperes per coil

$\frac{5}{8}$ Inch

- Watt densities up to 90 W/in² (13.9 W/cm²)
- Alloy 800 sheath temperatures up to 1400°F (760°C)
- Voltages up to 240VAC
- Amperages up to 32 amperes per heater or 16 amperes per coil



One Inch Double-Ended FIREBAR Element and Lead Configurations



$\frac{5}{8}$ Inch Double-Ended FIREBAR Element and Lead Configurations

Single-Ended Performance Capabilities

One Inch

- Watt densities up to 60 W/in² (9.3 W/cm²)
- Alloy 800 sheath temperatures up to 1400°F (760°C)
- 304 stainless steel sheath temperatures up to 1200°F (650°C)
- Voltages up to 240VAC
- Amperages up to 48 amperes per heater or 16 amperes per coil

$\frac{5}{8}$ Inch

- Watt densities up to 80 W/in² (12.4 W/cm²)
- Alloy 800 sheath temperatures up to 1400°F (760°C)
- Voltages up to 240VAC
- Amperages up to 16 amperes per heater

Tubular Heaters

FIREBAR Double-Ended Heaters

Specifications

One Inch FIREBAR



5/8 Inch FIREBAR



Applications	Direct immersion; water, oils, etc. Clamp-on; hoppers, griddles Forced air heating (Also see FINBAR, page 112) Radiant heating	Direct immersion; water, oils, etc. Clamp-on; hoppers, griddles Forced air heating Radiant heating
Watt Density W/in ² (W/cm ²)	Stock: up to 90 (13.9) Made-to-Order (M-t-O): up to 120 (18.6)	Stock: up to 90 (13.9) Made-to-Order (M-t-O): up to 90 (13.9)
Surface Area Per Linear In. (cm)	2.3 in ² (14.8 cm ²)	1.52 in ² (9.80 cm ²)
Cross Section Height ± 0.015/0.010 in. (0.381/0.254 mm) Thickness ± 0.005/0.001 in. (0.127/0.025 mm)	1.010 (25.7) 0.235 (5.9)	0.650 (16.5) 0.235 (5.9)
Sheath Material—Max. Operating temperature	Stock: Alloy 800 1400°F (760°C) M-t-O: Alloy 800 1400°F (760°C) 304 SS 1200°F (650°C)	Stock: Alloy 800 1400°F (760°C) M-t-O: Alloy 800 1400°F (760°C) 304 SS 1200°F (650°C)
Sheath Length in. (mm)	Stock: 15 to 114 (381 to 2896) M-t-O: 11 to 180 (280 to 4572)	Stock: 15 to 51 (381 to 1295) M-t-O: 11 to 115 (280 to 2920)
Straightness Tolerance Major axis in./ft (cm/m): Minor axis in./ft (cm/m):	0.062 (0.52) 0.062 (0.52)	0.062 (0.52) 0.062 (0.52)
No-Heat Length	1 in. min., 12 in. max. (25/305 mm)	1 in. min., 12 in. max. (25/305 mm)
Max. Voltage—Amperage Max. Hipotential Max. Current Leakage Per Coil (cold) Max. Amperage Per Coil Phase(s) Resistance Coils	240VAC—48A 1480VAC 3mA 16A 1-ph parallel/series, 3-ph delta/wye 3 or 2	240VAC—32A 1480VAC 3mA 16A 1-ph parallel/series 2
Ohms/In./Unit ^① Ohms/In./Coil ^①	0.270Ω min.—2.833Ω max. 0.080Ω min.—8.500Ω max. per coil	0.040Ω min.—4.250Ω max. 0.080Ω min.—8.500Ω max. per coil
Terminations	Flexible lead wires Quick connect (spade) Screw lug (plate) Threaded stud	Flexible lead wires Quick connect (spade) Screw lug (plate) Threaded stud
Seals	Stock: Lavacone 221°F (105°C) M-t-O: Ceramic base 2800°F (1535°C) Silicone rubber 392°F (200°C) Lavacone 221°F (105°C) Epoxy resin 266/356°F (130/180°C)	Stock: Lavacone 221°F (105°C) M-t-O: Ceramic base 2800°F (1535°C) Silicone rubber 392°F (200°C) Lavacone 221°F (105°C) Epoxy resin 266/356°F (130/180°C)
Min. Axis Bending Radius in. (mm) (Do not field bend)	Major: 1 (25) Minor: 1/2 (13) 90° bend Minor: 3/2 (4) 180° bend	Major: 3/4 (19) Minor: 1/2 (13) 90° bend Minor: 3/2 (4) 180° bend
Mounting Options	Brackets (Type 1, 2 and 3) Threaded bulkhead or fitting	Brackets (Type 1, 2 and 3) Threaded bulkhead or fitting
Surface Finish Options	Bright anneal, passivation	Bright anneal, passivation
Agency Recognition	UL® Component recognition to 240VAC (File # E52951) CSA Component recognition to 240VAC (File # 31388)	UL® Component recognition to 240VAC (File # E52951) CSA Component recognition to 240VAC (File # 31388)

① Resistance values valid for three coil 1 in. (25 mm) FIREBAR only.

Tubular Heaters

FIREBAR Single-Ended Heaters

Specifications (Continued)

One Inch Single-Ended FIREBAR

5/8 Inch Single-Ended FIREBAR



Applications	Clamp-on; hoppers, griddles Forced or convection air heating (Also see FINBAR, page 112)	Clamp-on; hoppers, griddles Forced or convection air heating
Watt Density W/in ² (W/cm ²)	Stock: up to 40 (6.2) M-t-O: up to 60 (9.3)	Stock: up to 20 (3.1) M-t-O: up to 60 (12.4)
Surface Area Per Linear In. (cm)	2.3 in ² (14.8 cm ²)	1.52 in ² (9.80 cm ²)
Cross Section Height ± 0.015/0.010 in. (0.381/0.254 mm) Thickness ± 0.005/0.001 in. (0.127/0.025 mm)	1.010 (25.7) 0.235 (5.9)	0.650 (16.5) 0.235 (5.9)
Sheath Material—Max. Operating temperature	Stock: 304 SS 1200°F (650°C) M-t-O: Alloy 800 1400°F (760°C) 304 SS 1200°F (650°C)	Stock: Alloy 800 1400°F (760°C) M-t-O: Alloy 800 1400°F (760°C) 304 SS 1200°F (650°C)
Sheath Length in. (mm)	Stock: 11 to 46¼ (280 to 1175) M-t-O: 11 to 120 (280 to 3048)	Stock: 11½ to 52 (280 to 1321) M-t-O: 11 to 116 (280 to 2946)
Straightness Tolerance Major axis in./foot (cm/m): Minor axis in./foot (cm/m):	0.062 (0.52) 0.062 (0.52)	0.062 (0.52) 0.062 (0.52)
No-Heat Length Top Cold End Bottom (blunt end) Cold End	1 in. min., 12 in. max. (25/305 mm) 1 ph- 0.5 min., 2 in. max. (13/51 mm) 3 ph- 0.75 min., 2 in. max. (19/51 mm)	1 in. min., 12 in. max. (25/305 mm) Only available at 1.25 in. N/A
Max. Voltage—Amperage Max. Hipotential Max. Current Leakage (cold) Max. Amperage Per Coil Phase(s) Resistance Coils	240VAC—48A 1480VAC 3mA 16A 1-ph, 3-ph wye 3 or 1	240VAC—16A 1480VAC 3mA 16A 1-ph 1
Ohms/In./Unit	0.200Ω min.—14.00Ω max. ①	0.200Ω min.—14.00Ω max. ①
Terminations	Flexible lead wires Threaded stud Quick connect (spade) Screw lug (plate)	Flexible lead wires Quick connect (spade) Screw lug (plate)
Seals	Stock: Lavacone 221°F (105°C) M-t-O: Ceramic base 2800°F (1535°C) Silicone rubber 392°F (200°C) Lavacone 221°F (105°C) Epoxy resin 266/356°F (130/180°C)	Stock: Lavacone 221°F (105°C) M-t-O: Ceramic base 2800°F (1535°C) Silicone rubber 392°F (200°C) Lavacone 221°F (105°C) Epoxy resin 266/356°F (130/180°C)
Min. Axis Bending Radius in. (mm) (Do Not Field Bend)	Major: 1 (25) Minor: ½ (13) 90° bend Minor: 5/32 (4) 180° bend	Major: ¾ (19) Minor: ½ (13) 90° bend Minor: 5/32 (4) 180° bend
Mounting Options	Bracket (Type 2) Threaded bulkhead	Bracket (Type 2) Threaded bulkhead
Surface Finish Options	Bright anneal	Bright anneal
Optional Internal Thermocouple	—	—
Single-end Configuration	Stock: Slotted M-t-O: Slotted, sealed or welded	Stock: Slotted M-t-O: Slotted, sealed or welded
Agency Recognition	UL® Component recognition to 240VAC (File # E52951) CSA Component recognition to 240VAC (File # 31388)	UL® Component recognition to 240VAC (File # E52951) CSA Component recognition to 240VAC (File # 31388)

① Based on 1-phase, single voltage heater.

Tubular Heaters

FIREBAR Single/Double-Ended Heaters

Features and Benefits

One Inch Features and Benefits

Double-Ended

Streamline, 0.235 x 1.010 in. (5.9 x 25.6 mm) normal to flow dimension

- Reduces drag

70 percent greater surface area per linear inch compared to a 0.430 in. (11 mm) diameter round tubular heater

- Reduces watt density or packs more kilowatts in smaller bundles

Compacted MgO insulation

- Maximizes thermal conductivity and dielectric strength

Nickel-chromium resistance wires

- Precision wound

0.040 in. (1 mm) thick MgO walls

- Transfers heat more efficiently away from the resistance wire to the sheath and media—conducts heat out of the element faster

Three resistance coil design

- Configurable to either one- or three-phase power, readily adapts to a variety of electrical sources and wattage outputs

Lavacone seals

- Provides protection against humid storage conditions, moisture retardant to 221°F (105°C)

Single-Ended

Single-ended termination

- Simplifies wiring and installation

Streamline, 0.235 x 1.010 in. (5.9 x 25.6 mm) normal to flow dimension

- Reduces drag

70 percent greater surface area per linear inch

- Reduces watt density from that of the 0.430 in. (11 mm) diameter round tubular

Slotted end

- Provides installation ease in clamp-on applications

Lavacone seals

- Provides protection against humid storage conditions, moisture retardant to 221°F (105°C)

5/8 inch Features and Benefits

Double-Ended

Special sheath dimensions, 0.235 x 0.650 in. (5.9 x 16.5 mm)

- Results in a lower profile heater

10 percent greater surface area per linear inch

- Reduces watt density from that of the 0.430 in. (11 mm) diameter round tubular heater

0.040 in. (1 mm) thick MgO walls

- Transfers heat efficiently away from the resistance wire to the heated media—conducts heat out of the element faster

Lavacone seals

- Provides protection against humid storage conditions, moisture retardant to 221°F (105°C)

Single-Ended

Single-ended termination

- Simplifies wiring and installation

Special sheath dimensions, 0.235 x 0.650 in. (5.9 x 16.5 mm)

- Results in a lower profile heater for more wattage in a smaller package

Slotted end

- Provides installation ease in clamp-on applications

Lavacone seals

- Provides protection against humid storage conditions, moisture retardant to 221°F (105°C)

Tubular Heaters

FIREBAR Single/Double-Ended Heaters

Performance Features

FIREBAR's flat tubular element geometry produces performance features and benefits not possible with traditional round tubular technology. The following describes how and why the FIREBAR is functionally superior for many applications—especially those requiring large wattage with low watt density.

By using the FIREBAR element it will:

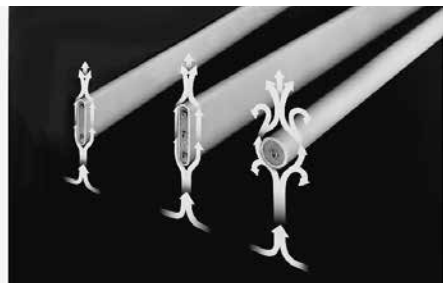
- Lower the element's watt density
- Reduce element size and keep the same watt density
- Increase element life by reducing sheath temperature

Flat Shape Produces Lower Sheath Temperature

The FIREBAR element operates at a lower sheath temperature than a round tubular element of equal watt density because of three factors.

1. Flat Surface Geometry

FIREBAR's flat, vertical geometry is streamline. The liquid's flow past the heating element's surface is not impaired by back eddies inherent in the round tubular shape. The FIREBAR's streamline shape results in fluids flowing more freely with more heat carried away from the sheath.



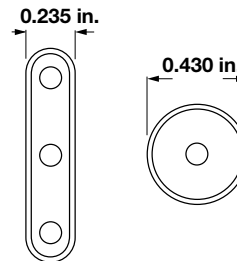
2. Normal to the Flow

The element's width (thickness) of both 1 inch and 5/8 inch FIREBAR elements is just 0.235 in. (5.9 mm). Compared to a 0.430 in. (11 mm) round tubular element, this relative thinness further reduces drag on liquids or gases flowing past the heater.

3. Buoyancy Force

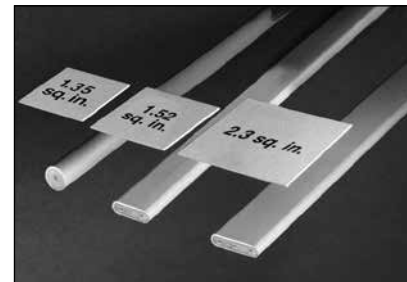
The FIREBAR element's boundary layer, or vertical side, is greater than virtually all round tubular elements. This is 1.010 and 0.650 in. (25.6 and 16.5 mm) for the one inch and 5/8 in. FIREBARs respectively, compared to a 0.430 in. (11 mm) diameter on a round tubular element. The FIREBAR element's increased height, relative to flow, increases the buoyancy force in viscous liquids. This buoyancy force can be as much as 10 times greater depending on the FIREBAR element and liquid used.

Comparative Widths



Watt Density and Surface Area Advantages

The surface area per linear inch of a 1 in. FIREBAR is 70 percent greater than the 0.430 in. (11 mm) diameter round tubular element. The 5/8 in. FIREBAR is nearly 10 percent greater.



Element Type	Surface Area Per Linear inch (cm)	
	in ²	cm ²
1 in. FIREBAR	2.30 in ²	(5.84 cm ²)
5/8 in. FIREBAR	1.52 in ²	(3.86 cm ²)
0.430 in. Round	1.35 in ²	(3.43 cm ²)

Flat vs. Round Geometry Comparisons

The unique flat surface geometry of the FIREBAR element offers more versatility in solving heater problems than the conventional round tubular element. The following comparisons show how the FIREBAR element consistently outperforms round tubular heaters. FIREBAR elements can:

- Reduce coking and fluid degrading
- Increase heater power within application space parameters
- Provide superior heat transfer in clamp-on applications resulting from greater surface area contact
- Lower watt density

Reducing watt density or sheath temperature extends life. The FIREBAR element allows you to do either, without sacrificing equipment performance ... as is proven by the accompanying *Heater Oil Test, Air Flow and Watt Density vs. Sheath Temperature* graphs.

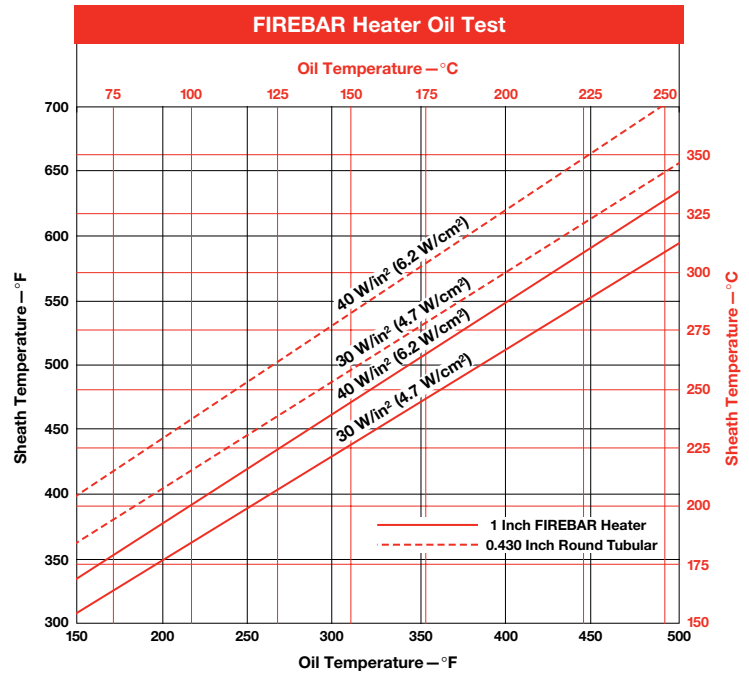
Tubular Heaters

FIREBAR Single/Double-Ended Heaters

Technical Data

The *FIREBAR Heater Oil Test* graph compares sheath temperatures of 40 W/in² (6.7 W/cm²) flat and round tubular elements. The FIREBAR element consistently operates at a lower sheath temperature than the round tubular element, even when light oils are tested at different temperatures. This reduces the chance that coking and fluid degradation will occur.

In fact, the FIREBAR element's sheath temperature at 40 W/in² (6.7 W/cm²) is lower than a 30 W/in² (4.6 W/cm²) round tubular element.



Heater Size and Power

The *Heater Size Comparison* chart shows, at the same wattage and watt density, the FIREBAR element is 38 percent shorter than a 0.430 in. (11 mm) round tubular element. The FIREBAR element requires less space in application and equipment designs.

Heater Size Comparison

Element	Heated Length in. (mm)	Wattage	W/in ²	(W/cm ²)
1 in. FIREBAR Element	19 ⁷ / ₈ (504.8)	1000	23	(3.6)
0.430 in. Round Tubular Element	32 ¹ / ₄ (819.0)	1000	23	(3.6)

The *Heater Power Comparison* chart demonstrates equal watt density, element length and increased total wattage for the FIREBAR element. The power in the FIREBAR element is 70 percent greater.

Heater Power Comparison

Element	Heated Length in. (mm)	Wattage	W/in ²	(W/cm ²)
1 in. FIREBAR Element	32 ¹ / ₄ (819.0)	1700	23	(3.6)
0.430 in. Round Tubular Element	32 ¹ / ₄ (819.0)	1000	23	(3.6)

Tubular Heaters

FIREBAR Single/Double-Ended Heaters

Technical Data (Continued)

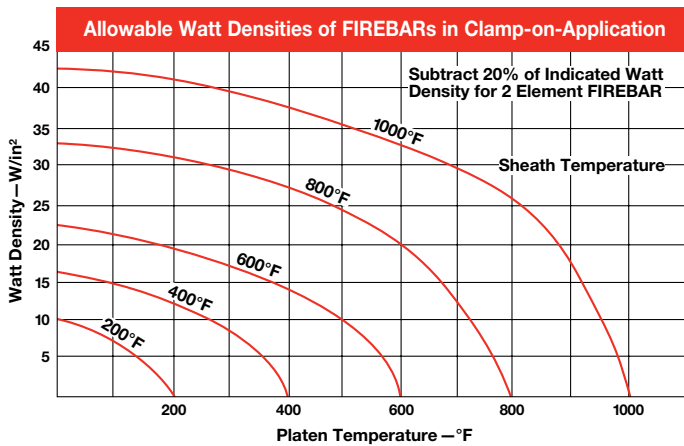
Clamp-On Applications

Direct immersion in the liquid may not always be practical. In these instances the FIREBAR element can be clamped to a tank wall. Heat from the FIREBAR is conducted to the tank wall and into the media.

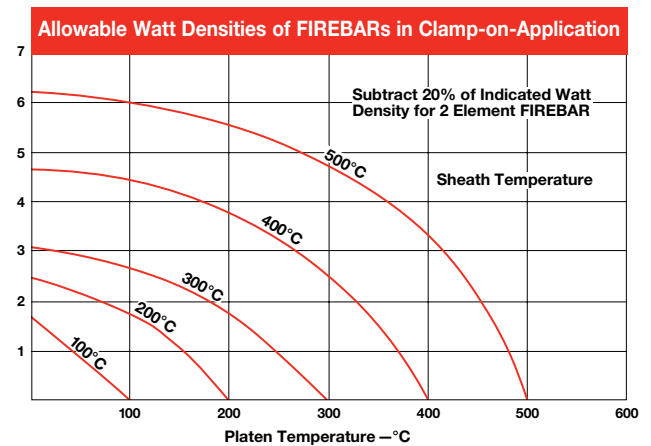
FIREBAR elements are also economical platen heaters. The *Platen Heating* graph shows FIREBAR's large, flat surface area allows it to operate at twice the watt density of round tubular elements ... without sacrificing heater life.

Clamps should be placed approximately 6 in. (150 mm) apart and torqued down with 60 in.-lbs (6.8 Newton meters).

Platen Heating (°F)

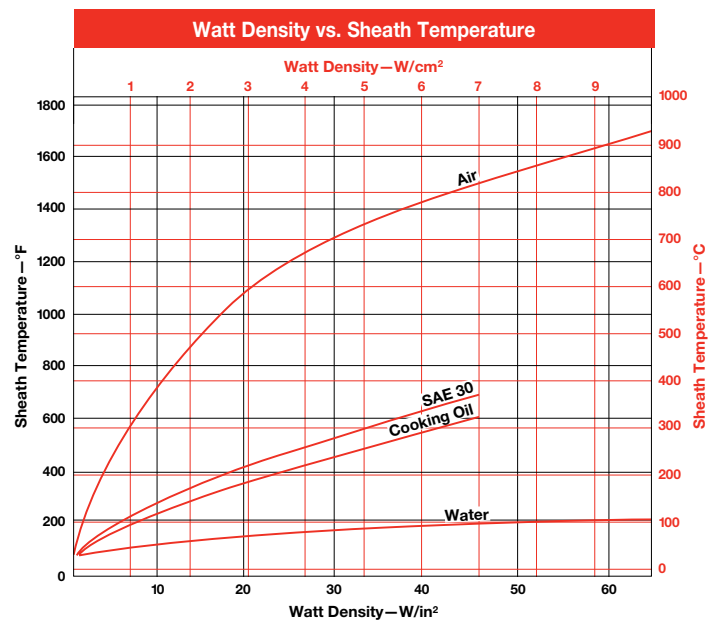


Platen Heating (°C)



Watt Density vs. Sheath Temperature

The *Watt Density vs. Sheath Temperature* graph features sheath temperature curves for commonly heated substances. A FIREBAR element's watt density will result in the sheath temperature shown at the intersecting point of its vertical watt density line and substance curve.



Tubular Heaters

FIREBAR Single/Double-Ended Heaters

Technical Data (Continued)

Air Heating

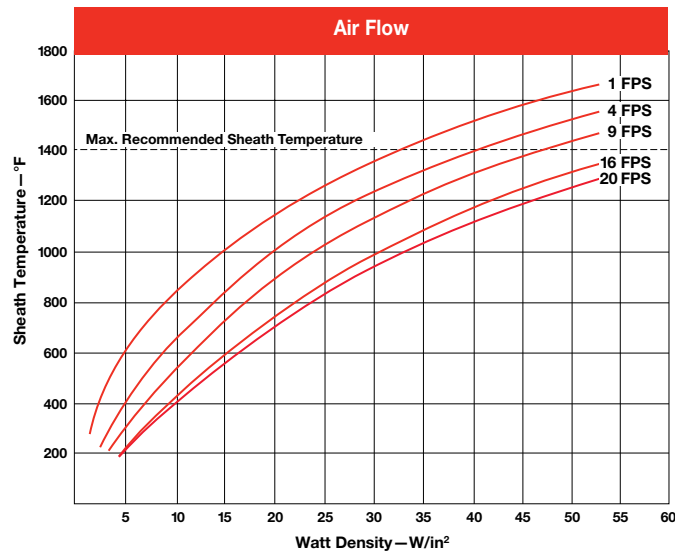
The Air Flow/Watt Density/Sheath Temperature graph shows the relationship between air flow, watt density and sheath temperature. Keep in mind that lower sheath temperature yields longer heater life.

To use the Air Flow graph, determine the air flow in feet per second (or meters per second). Then follow the curve to find the recommended sheath temperature and watt density.

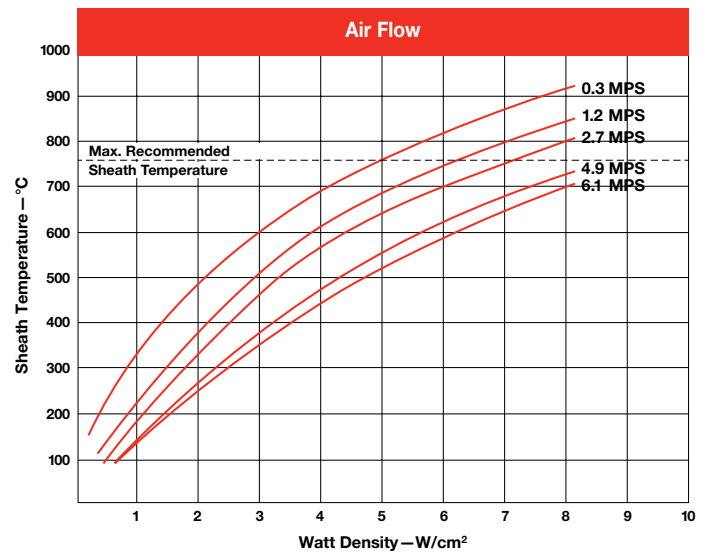


Air Flow Normal to Sheath Geometry

Air Flow/Watt Density/Sheath Temperature (°F)



Air Flow/Watt Density/Sheath Temperature (°C)



Moisture Resistant Seals

A lavacone seal is provided to prevent moisture and contaminants from entering the heater. Upon request, optional silicone rubber (RTV) and epoxy resin seals may be ordered.

Silicone Rubber (RTV) Seal

Silicone rubber RTV seals are 1/8 in. (3.2 mm) moisture barriers surrounding the terminal pins at the end of the sheath. Silicone rubber is effective to 392°F (200°C).

Epoxy Resin Seal

Epoxy resin seals are 1/8 in. (3.2 mm) moisture barriers surrounding the terminal pins at the end of the sheath. Epoxy resin is effective to 194°F (90°C) or 356°F (180°C), and recommended for water heating applications.

Application Hints

- Choose a FIREBAR heating element instead of an assembly, when the application requires lower wattages or smaller system packages.
- Keep terminations clean, dry and tight.
- Extend the heated section completely into the media being heated at all times to maximize heat transfer and heater life.
- Do not locate the end of the heated length within a bend, unless the radius is 3 in. (76 mm) or larger.
- Ensure termination temperatures do not exceed 392°F (200°C) or the maximum temperature rating of the end seal, whichever is lower.

Tubular Heaters

FIREBAR Single/Double-Ended Heaters

All FIREBAR heaters are available with a variety of termination options. Contact your Watlow representative for availability.

Technical Data (Continued)

Terminations

Part Number*	Termination	Phase	Wiring	1 in. FIREBAR		5/8 in. FIREBAR	
				Dual-Ended	S. End/FINBAR	Dual-Ended	Single-Ended
A1	Sil-A-Blend™ 200°C lead wire	1	Parallel	Yes	Yes	Yes	Yes
A2	Sil-A-Blend™ 200°C lead wire	1	Series	Yes	No	Yes	No
A3	Sil-A-Blend™ 200°C lead wire	3	Delta	Yes	No	No	No
A4	Sil-A-Blend™ 200°C lead wire	3	Wye	Yes	Yes	No	No
B1	TGGT 250°C lead wire	1	Parallel	Yes	Yes	Yes	Yes
B2	TGGT 250°C lead wire	1	Series	Yes	No	Yes	No
B3	TGGT 250°C lead wire	3	Delta	Yes	No	No	No
B4	TGGT 250°C lead wire	3	Wye	Yes	Yes	No	No
C1	1/4 in. quick connect (spade)	1	Parallel	Yes	Yes	Yes	Yes
C2	1/4 in. quick connect (spade)	1	Series	Yes	No	No	No
D1	Screw lug (plate) terminal	1	Parallel	Yes	Yes	Yes	Yes
D2	Screw lug (plate) terminal	1	Series	Yes	No	No	No
D3	Screw lug (plate) terminal	3	Delta	Yes	No	No	No
E1	#10-32 stud terminal	1	Parallel	Yes	Yes	Yes	Yes
E2	#10-32 stud terminal	1	Series	Yes	No	No	No
E3	#10-32 stud terminal	3	Delta	Yes	No	No	No

Termination Code Number Legend*

- A = Silicone rubber insulation (Sil-A-Blend™) with fiberglass oversleeves Rated to 392°F (200°C)
- B = High-temperature TGGT insulation with fiberglass oversleeves Rated to 480°F (250°C)
- C = Nickel-plated steel quick connect

- D = Nickel-plated steel screw lug with ceramic insulator and plated steel screw
- E = #10-32 nickel-plated steel threaded stud with plated steel nuts and washers

Electrical Configuration

- 1 = 1-phase parallel, 2 = 1-phase series, 3 = 3-phase delta, 4 = 3-phase wye

Double-End/Single-End 1 in. FIREBAR^①

Flexible Lead Wire^①

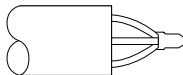
A, B



- Double-End 1 in. FIREBAR
- Single-End 1 in. FIREBAR
- FINBAR

Quick Connect (Spade)

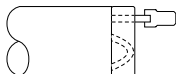
C1



- Double-End 1 in. FIREBAR

Quick Connect (Spade)

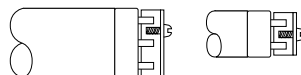
C2



- Double-End 1 in. FIREBAR

Screw Lug (Plate)

D1



- Double-End 1 & 5/8 in. FIREBAR

Screw Lug (Plate)

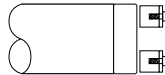
D2



- Double-End 1 in. FIREBAR

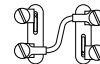
Screw Lug (Plate)

D3



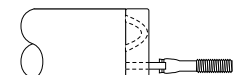
- Double-End 1 in. FIREBAR

3-phase delta wiring example



Threaded Stud

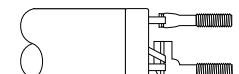
E2



- Double-End 1 in. FIREBAR

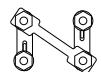
Threaded Stud

E3



- Double-End 1 in. FIREBAR

3-phase delta wiring example



① Flexible lead wires are 12 in. (305 mm) long unless otherwise specified.

Single-End FIREBAR, Double-End FINBAR 1 5/8 in. FIREBAR^①

Flexible Lead Wire^①

A, B



- Single-End 1 in. FIREBAR
- Double-End 5/8 in. FIREBAR
- Single-End 5/8 in. FIREBAR
- FINBAR

Quick Connect (Spade)

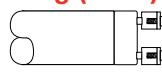
C3



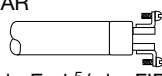
- Single-End 1 FIREBAR
- FINBAR
- Double-End 5/8 in. FIREBAR
- Single-End 5/8 in. FIREBAR

Screw Lug (Plate)

D4



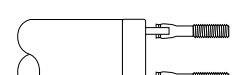
- Single-End 1 in. FIREBAR
- FINBAR



- Double-End 5/8 in. FIREBAR
- Single-End 5/8 in. FIREBAR

Threaded Stud

E4



- Single-End 1 in. FIREBAR
- FINBAR

① Flexible lead wires are 12 in. (305 mm) long unless otherwise specified.

Tubular Heaters

FIREBAR Single/Double-Ended Heaters

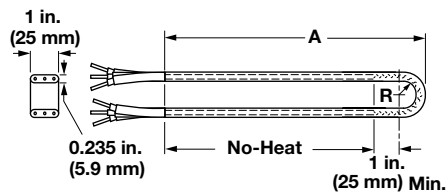
Bending

Major and Minor Axis Bending Parameters

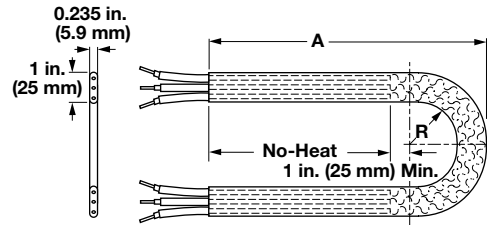
The following illustrations detail the recommended major and minor axis bend parameters for FIREBAR elements. These illustrations show the relationship between the type of bend and the location of heat and no-heat sections. See the next two pages for the 15 common bend formations.

Note: Watlow does not recommend field bending FIREBAR elements. If the element must be bent in the field, please contact your Watlow representative for assistance.

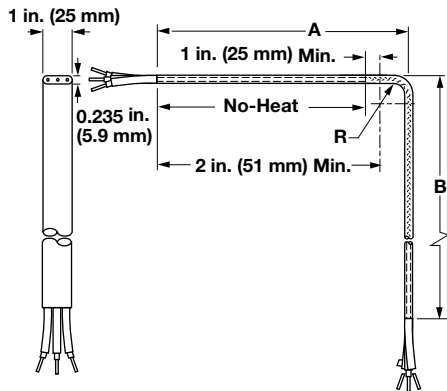
180° Minor Axis Heated Bend



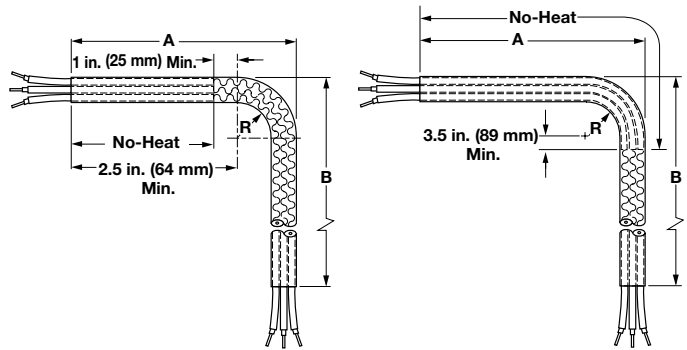
180° Major Axis Heated Bend



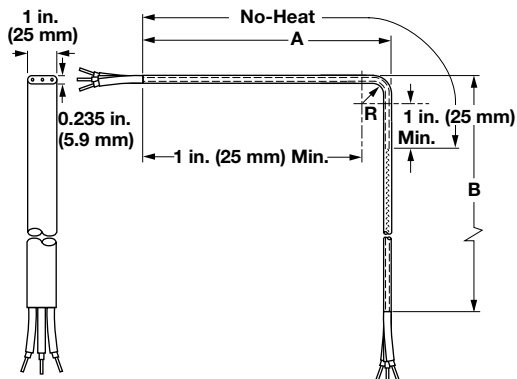
90° Minor Axis Heated Bend



90° Major Axis Heated Bend



90° Minor Axis Un-Heated Bend



180° Major Axis Bends

FIREBAR Size		Radius		Arc Length
in.	(mm)	in.	(mm)	
5/8	(15.9)	3/4	(19.0)	3.125
5/8	(15.9)	1	(25.0)	3.900
5/8	(15.9)	1 1/4	(32.0)	4.620
5/8	(15.9)	1 1/2	(38.0)	5.600
1	(25.0)	1	(25.0)	4.335
1	(25.0)	1 1/4	(32.0)	5.121
1	(25.0)	1 1/2	(38.0)	5.906

Tubular Heaters

FIREBAR Single/Double-Ended Heaters

Bend Formations

FIREBAR elements can be formed into spirals, compounds, multi-axis and multi-plane configurations from 15 common bends. Custom bending with tighter tolerances can be made to meet specific application needs.

Formation is limited by bending parameters specified in the illustrations of major and minor axis bends on the previous page. On these illustrations, please note the no-heat end location.

The no-heat end junction must be located a minimum of 1 in. (25 mm) from any bend. If these parameters are not followed, the heater may fail prematurely.

Illustrated below are the common bends that can be ordered for all FIREBAR heating elements.

To order a common bend, specify the **figure number** and **critical dimensions**.

Note: The alpha characters and symbols are used to designate specific dimensions within each illustration.

Minor Axis	Major Axis	Minor Axis	Major Axis
Figure 1A 	Figure 1B 	Figure 2A 	Figure 2B
Figure 3A 	Figure 3B 	Figure 4A 	Figure 4B
Figure 5A 	Figure 5B 	Figure 6A 	Figure 6B
Figure 7A 	Figure 7B 	Figure 8A 	Figure 8B

Tubular Heaters

FIREBAR Single/Double-Ended Heaters

Bend Formation (Continued)

Minor Axis	Major Axis	Minor Axis	Major Axis
<p>Figure 9A</p>	<p>Figure 9B</p>	<p>Figure 10A</p>	<p>Bend Figure 10B Not Available On Major Axis</p>
<p>Figure 11A</p>	<p>Bend Figure 11B Not Available On Major Axis</p>	<p>Figure 12A</p>	<p>Figure 12B</p>
<p>Figure 13A</p>	<p>Figure 13B</p>	<p>Figure 14A</p>	<p>Figure 14B</p>
<p>Figure 15A</p>	<p>Figure 15B</p>		

Tubular Heaters

FIREBAR Single/Double-Ended Heaters

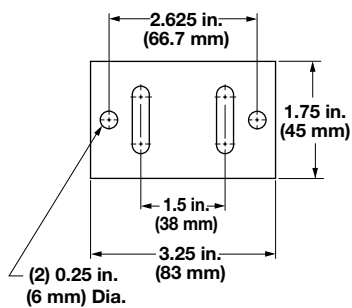
Mounting Brackets

Steel brackets provide element mounting in non-pressurized applications. In air heating applications, an 18-gauge aluminized steel bracket is press fitted to the element. A 1/4 in. (6 mm) thick steel bracket is brazed or welded liquid-tight to the element for liquid heating. Upon request, stainless steel brackets can be provided. Special sizes also available.

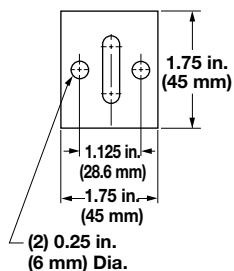
The bracket is located 1/2 in. (13 mm) from the sheath's end, 1/16 in. (1.6 mm) if welded. Available on 5/8 in. (15.9 mm) FIREBAR as **made-to-order** only.

To order, specify **mounting bracket** as well as type, location, material and size.

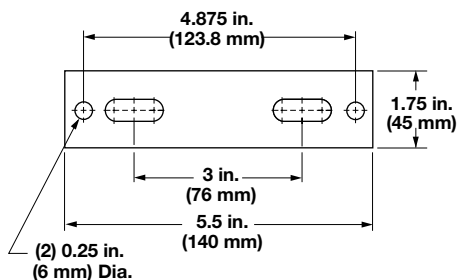
Type 1



Type 2



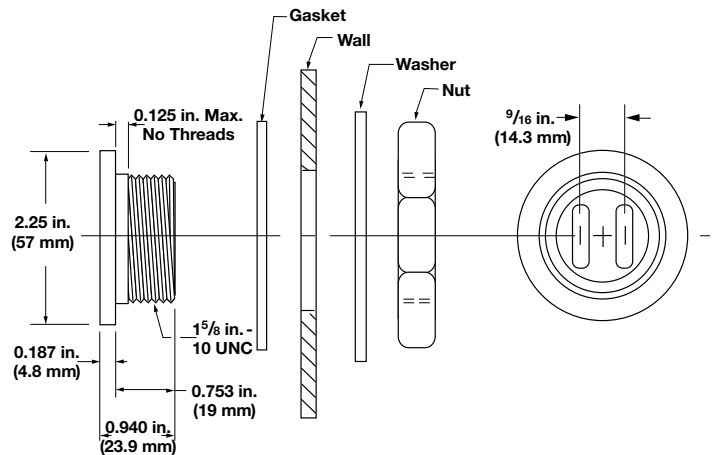
Type 3



Water-Tight Double-Leg Threaded Fitting

A threaded 1 5/8 in.-10 UNC stainless steel fitting with flange on the heater sheath provides rigid, leak-proof mounting through tank walls. This fitting allows both legs of the heater to pass through the same opening. A gasket, plated steel washer and hex nut are included. The threaded end of the bulkhead is mounted flush with the sheath's end, unless otherwise specified. Available on **1 inch FIREBAR only (brazed only, available)**.

To order, specify **water-tight double-leg threaded fitting**.



Surface Finish

Bright Annealing

Bright annealing is a process that produces a smooth, metallic finish. It is a special annealed finish created in a non-oxidizing atmosphere. This finish is popular in the pharmaceutical and foodservice/beverage markets.

To order, specify **bright annealing**.

Passivation

During manufacturing, particles of iron or tool steel may be embedded in the stainless steel or alloy sheath. If not removed, these particles may corrode and produce rust spots. For critical sheath applications, passivation will remove free iron from the sheath.

To order, specify **passivation**.

Extended Capabilities For FIREBAR Single/Double-Ended Heaters

Internal Thermocouples

To provide protection against element over-temperature conditions, 1 in. (25 mm) double-ended FIREBAR elements can be ordered with ASTM **Type K** thermocouples. This is accomplished by eliminating the center resistance coil and embedding the thermocouple junction inside the sheath. Thus, thermocouples are available only on two resistance coil, 1 in. (25 mm) FIREBAR elements.

To order, specify:

- **Type K** thermocouple
- Distance the junction is to be located from the element's end
- Lead length

Thermocouple Types

ASTM Type	Conductor Positive	Characteristics		Recommended Temp. Range °F (°C)
		Negative		
K	Chromel® (Non-magnetic)	Alumel® (Magnetic)		0 to 2000 (-20 to 1100)

① **Type K** thermocouples are rated 32 to 2282°F (0 to 1250°C). Watlow does not recommend exceeding the temperature range shown on this chart.

Options for 5/8-Inch FIREBAR

- Electropolished finish
- Custom formations
- Cordset
- Termination overmolds (silicone or neoprene)
- Terminal enclosures (general purpose, moisture resistant, moisture/explosion resistant and explosion resistant)
- Internal thermocouple (dual end only, single or dual coil)
- Custom wattage tolerance (±5%)

Options for One-Inch FIREBAR

- Electropolished finish
- Bulkhead, single leg
- Custom formations
- Cordset
- Termination overmolds (silicone or neoprene)
- Terminal enclosures (general purpose, moisture resistant, moisture/explosion resistant and explosion resistant)
- Internal thermocouple (dual end only, single or dual coil)
- Custom wattage tolerance (±5%)

Mounting Brackets

Threaded Bulkheads

A threaded stainless steel bushing with flange on the heater sheath provides rigid, leak-proof mounting through tank walls. A gasket, plated steel washer and hex nut are included (brazed only, available).

To order, specify **threaded bulkheads**.

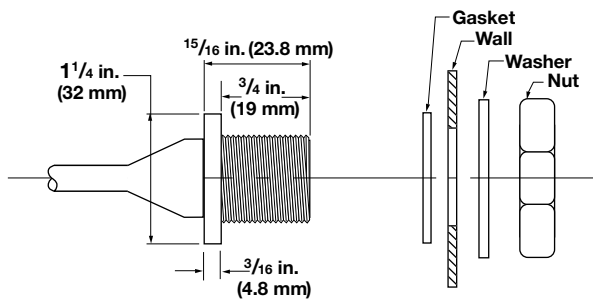


Illustration for 1-inch FIREBAR

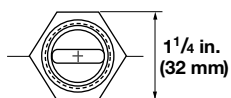


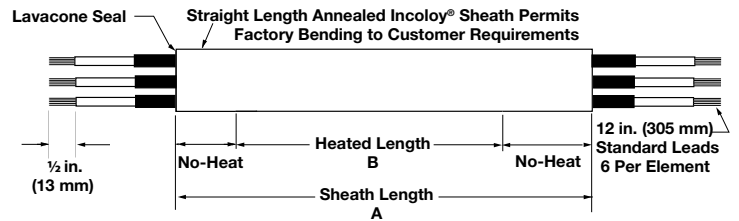
Illustration for 5/8-inch FIREBAR

Heater Size in.	(mm)	Thread Size
5/8	(15.9)	7/8-14 UNF-2A
1	(25.0)	3/4-16 UNF-2A

Tubular Heaters

FIREBAR Single/Double-Ended Heaters

One-Inch, Double-Ended FIREBAR



FIREBAR Description	Sheath A Dimension		Heated B Dimension		Watts	Part Number			Est. Net Wt.	
	in.	(mm)	in.	(mm)		120VAC	240VAC	480VAC	lbs	(kg)

Applications: Asphalt, Paraffin (Solid), Bunker Oil, Clamp-On

6 W/in ² Alloy 800 (1 W/cm ²)	35	(889)	25	(635)	310	FBN351WD			1.3	(0.6)
	41	(1041)	31	(787)	410	FBN411WD			1.5	(0.7)
	51	(1295)	41	(1041)	530	FBN511WD	FBN5110WD		1.9	(0.9)
	62	(1574)	52	(1320)	650	FBN621WD	FBN6210WD		2.3	(1.1)
	72	(1828)	62	(1574)	800	FBN721WD	FBN7210WD		2.6	(1.2)
	93	(2362)	83	(2108)	1,060	FBN931WD	FBN9310WD		3.4	(1.6)
	114	(2895)	104	(2641)	1,350	FBN1141WD	FBN11410WD		4.2	(1.9)

Applications: Griddles, Fuel Oil, Clamp-On

10 W/in ² Alloy 800 (1.6 W/cm ²)	25	(635)	22	(558)	500	FBN251WL			0.9	(0.4)
	35	(889)	32	(812)	750	FBN351WL	FBN3510WL		1.3	(0.6)
	47	(1193)	43	(1092)	1,000	FBN471WL	FBN4710WL		1.7	(0.8)
	69	(1752)	65	(1651)	1,500	FBN691WL	FBN6910WL		2.5	(1.2)
	90	(2286)	86	(2184)	2,000	FBN901WL	FBN9010WL		3.3	(1.5)

Applications: Clamp-On, Medium Weight Oils, Liquid Paraffin, Low-Temperature Ovens 400°F (205°C)

15 W/in ² ① Alloy 800 (2.3 W/cm ²)	29	(736)	19	(482)	670		FBN2910WE		1.1	(0.5)
	34	(863)	24	(609)	830		FBN3410WE		1.3	(0.6)
	39	(990)	29	(736)	1,000		FBN3910WE		1.4	(0.7)
	48	(1219)	38	(965)	1,330		FBN4810WE	FBN4811WE	1.8	(0.9)
	58	(1473)	48	(1219)	1,670		FBN5810WE	FBN5811WE	2.1	(1.0)
	68	(1727)	58	(1473)	2,000		FBN6810WE	FBN6811WE	2.5	(1.2)
	87	(2209)	77	(1955)	2,670		FBN8710WE	FBN8711WE	3.2	(1.5)
	106	(2692)	96	(2438)	3,330		FBN10610WE	FBN10611WE	3.9	(1.8)

Applications: Radiant, Platens, Dies, Low-Temperature Ovens 300°F (150°C)

20 W/in ² Alloy 800 (3.1 W/cm ²)	15	(381)	11	(279)	500	FBN151WM			0.6	(0.3)
	20	(508)	16	(406)	750	FBN201WM			0.8	(0.4)
	26	(660)	22	(558)	1,000	FBN261WM	FBN2610WM		1.0	(0.5)
	36	(914)	32	(812)	1,500	FBN361WM	FBN3610WM		1.3	(0.6)
	48	(1219)	43	(1092)	2,000	FBN481WM	FBN4810WM		1.8	(0.9)
	70	(1778)	65	(1651)	3,000		FBN7010WM	FBN7011WM	2.6	(1.2)
	91	(2311)	85	(2159)	4,000		FBN9110WM	FBN9111WM	3.3	(1.5)

Applications: Degreasing Solutions, Heat Transfer Oils

23 W/in ² Alloy 800 (3.6 W/cm ²)	35	(889)	25	(635)	1,250	FBN351WT	FBN3510WT		1.3	(0.6)
	41	(1041)	31	(787)	1,625	FBN411WT	FBN4110WT		1.5	(0.7)
	51	(1295)	41	(1041)	2,125	FBN511WT	FBN5110WT	FBN5111WT	1.9	(0.9)
	62	(1574)	52	(1320)	2,625	FBN621WT	FBN6210WT	FBN6211WT	2.3	(1.1)
	72	(1828)	62	(1574)	3,200	FBN721WT	FBN7210WT	FBN7211WT	2.6	(1.2)
	93	(2362)	83	(2108)	4,250	FBN931WT	FBN9310WT	FBN9311WT	3.4	(1.6)
	114	(2895)	104	(2641)	5,400	FBN1141WT	FBN11410WT	FBN11411WT	4.2	(1.9)

CONTINUED

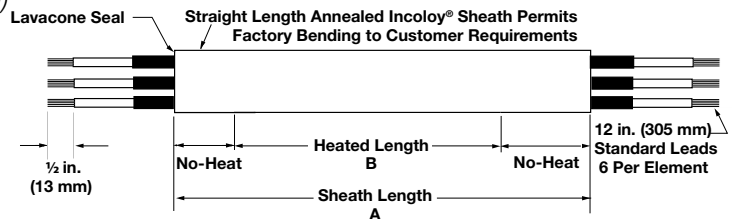
• Manufacturing lead times

Truck Shipment only

Tubular Heaters

FIREBAR Single/Double-Ended Heaters

One-Inch, Double-Ended FIREBAR (Continued)



FIREBAR Description	Sheath A Dimension		Heated B Dimension		Watts	Part Number			Est. Net Wt.	
	in.	(mm)	in.	(mm)		120VAC	240VAC	480VAC	lbs	(kg)

Applications: Cooking Oils, Mild Caustic Solution, Ethylene Glycol (100%)

30 W/in ² Alloy 800 (4.7 W/cm ²)	16	(406)	10	(254)	750	FBN161WH			0.6	(0.3)
	20	(508)	14	(355)	1000	FBN201WH			0.8	(0.4)
	27	(685)	21	(533)	1500	FBN271WH	FBN2710WH		1.0	(0.5)
	34	(863)	28	(711)	2000	FBN341WH	FBN3410WH		1.3	(0.6)
	50	(1270)	43	(1092)	3000		FBN5010WH	FBN5011WH	1.8	(0.9)
	64	(1625)	57	(1447)	4000		FBN6410WH	FBN6411WH	2.4	(1.1)
80	(2032)	72	(1828)	5000		FBN8010WH	FBN8011WH	2.9	(1.4)	

Applications: Process Water, Ethylene Glycol (50%)

40 W/in ² Alloy 800 (6.2 W/cm ²)	25	(635)	22	(558)	2000		FBN2510WK		0.9	(0.4)
	35	(889)	32	(812)	3000		FBN3510WK	FBN3511WK	1.3	(0.6)
	47	(1193)	43	(1092)	4000		FBN4710WK	FBN4711WK	1.7	(0.8)
	69	(1752)	65	(1651)	6000		FBN6910WK	FBN6911WK	2.5	(1.2)
	90	(2286)	86	(2184)	8000		FBN9010WK	FBN9011WK	3.3	(1.5)
45 W/in ² Alloy 800 (7 W/cm ²)	29	(736)	19	(482)	2000		FBN2910WP		1.1	(0.5)
	34	(863)	24	(609)	2500		FBN3410WP		1.3	(0.6)
	39	(990)	29	(736)	3000		FBN3910WP		1.4	(0.7)
	48	(1219)	38	(965)	4000		FBN4810WP	FBN4811WP	1.8	(0.9)
	58	(1473)	48	(1219)	5000		FBN5810WP	FBN5811WP	2.1	(1.0)
	68	(1727)	58	(1473)	6000		FBN6810WP	FBN6811WP	2.5	(1.2)
	87	(2209)	77	(1955)	8000		FBN8710WP	FBN8711WP	3.2	(1.5)
106	(2692)	96	(2438)	10,000		FBN10610WP	FBN10611WP	3.9	(1.8)	

Applications: Clean and Potable Water

80 W/in ² Alloy 800 (12.4 W/cm ²)	15	(381)	11	(279)	2000		FBN1510WJ		0.6	(0.3)
	20	(508)	16	(406)	3000		FBN2010WJ		0.8	(0.4)
	26	(660)	22	(558)	4000		FBN2610WJ	FBN2611WJ	1.0	(0.5)
	36	(914)	32	(812)	6000		FBN3610WJ	FBN3611WJ	1.3	(0.6)
	48	(1219)	43	(1092)	8000		FBN4810WJ	FBN4811WJ	1.8	(0.9)
90 W/in ² Alloy 800 (14 W/cm ²)	70	(1778)	65	(1651)	12,000			FBN7011WJ	2.6	(1.2)
	91	(2311)	85	(2159)	16,000			FBN9111WJ	3.3	(1.5)
	35	(889)	25	(635)	5000	FBN351WG	FBN3510WG	FBN3511WG	1.3	(0.6)
	41	(1041)	31	(787)	6500	FBN411WG	FBN4110WG	FBN4111WG	1.5	(0.7)
	51	(1295)	41	(1041)	8500		FBN5110WG	FBN5111WG	1.9	(0.9)
	62	(1574)	52	(1320)	10,500		FBN6210WG	FBN6211WG	2.3	(1.1)
	72	(1828)	62	(1574)	12,750		FBN7210WG	FBN7211WG	2.6	(1.2)
93	(2362)	83	(2108)	17,000			FBN931WG	3.4	(1.6)	
114	(2895)	104	(2641)	21,500			FBN11411WG	3.4	(1.6)	

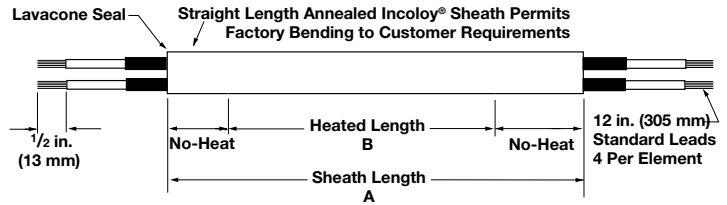
• Manufacturing lead times

■ Truck Shipment only

Tubular Heaters

FIREBAR Single/Double-Ended Heaters

5/8-Inch Double-Ended FIREBAR



FIREBAR Description	Sheath A Dimension		Heated B Dimension		Watts	Part Number			Est. Net Wt.	
	in.	(mm)	in.	(mm)		120VAC	240VAC	480VAC	lbs	(kg)

Applications: Degreasing Fluids, Heat Transfer Oils

23 W/in² ① Alloy 800 (3.6 W/cm²)	19	(483)	11	(279)	375	FAN191WT			0.5	(0.3)
	22	(559)	14	(356)	500	FAN221WT	FAN2210WT		0.5	(0.3)
	26	(660)	18	(457)	625	FAN261WT	FAN2610WT		0.6	(0.3)
	30	(762)	22	(559)	750	FAN301WT	FAN3010WT		0.7	(0.4)
	37	(940)	29	(737)	1000	FAN371WT	FAN3710WT		0.9	(0.5)
	44	(1118)	36	(914)	1250	FAN441WT	FAN4410WT		1.0	(0.5)
	51	(1295)	43	(1092)	1500	FAN511WT	FAN5110WT		1.2	(0.6)

Applications: Clean and Potable Water

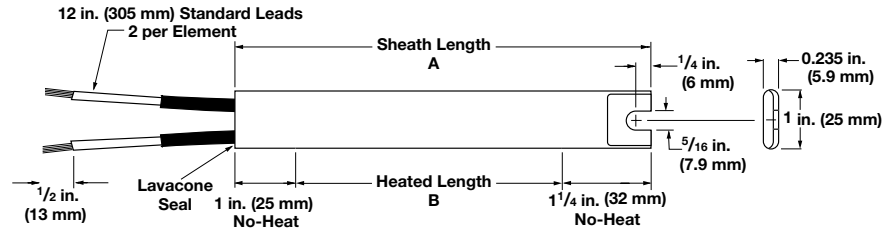
90 W/in² Alloy 800 (14 W/cm²)	15	(381)	7	(178)	1000	FAN151WG	FAN1510WG		0.4	(0.2)
	19	(483)	11	(279)	1500	FAN191WG	FAN1910WG	FAN1911WG	0.5	(0.3)
	22	(559)	14	(356)	2000	FAN221WG	FAN2210WG	FAN2211WG	0.5	(0.3)
	26	(660)	18	(457)	2500	FAN261WG	FAN2610WG	FAN2611WG	0.6	(0.3)
	30	(762)	22	(559)	3000	FAN301WG	FAN3010WG	FAN3011WG	0.7	(0.4)
	37	(940)	29	(737)	4000		FAN3710WG	FAN3711WG	0.9	(0.5)
	44	(1118)	36	(914)	5000		FAN4410WG	FAN4411WG	1.0	(0.5)
	51	(1295)	43	(1092)	6000		FAN5110WG	FAN5111WG	1.2	(0.6)

- Manufacturing lead times

Tubular Heaters

FIREBAR Single/Double-Ended Heaters

One-Inch, Single-Ended FIREBAR



FIREBAR Description	Sheath A Dimension		Heated B Dimension		Watts	Part Number		Est. Net Wt.	
	in.	(mm)	in.	(mm)		120VAC	240VAC	lbs	(kg)

Applications: Radiant, Platens, Dies, Low-Temperature Ovens 300°F (150°C)

20 W/in ² 304 SS (3.1 W/cm ²)	8 ³ / ₄	(222.0)	6 ¹ / ₂	(165.0)	300	FSP91WM		0.4	(0.2)
	10 ¹ / ₄	(260.0)	7 ¹ / ₂	(203.0)	375	FSP101WM		0.4	(0.2)
	12 ¹ / ₄	(311.0)	10	(254.0)	450	FSP121WM		0.5	(0.3)
	13 ¹ / ₂	(343.0)	11 ¹ / ₄	(286.0)	500	FSP141WM		0.5	(0.3)
	16 ¹ / ₈	(408.6)	13 ⁷ / ₈	(352.4)	650	FSP161WM	FSP1610WM	0.6	(0.3)
	17 ³ / ₄	(451.0)	15 ¹ / ₂	(393.0)	725	FSP181WM	FSP1810WM	0.7	(0.4)
	19 ¹ / ₄	(489.0)	17	(431.0)	800	FSP191WM	FSP1910WM	0.7	(0.4)
	22	(558.0)	19 ³ / ₄	(502.0)	900	FSP221WM	FSP2210WM	0.8	(0.4)
	23 ³ / ₄	(603.0)	21 ¹ / ₂	(546.0)	1,000	FSP241WM	FSP2410WM	0.9	(0.4)
	25	(635.0)	22 ³ / ₄	(578.0)	1,050	FSP251WM	FSP2510WM	0.9	(0.4)
	28 ⁵ / ₈	(727.1)	26 ³ / ₈	(670.0)	1,250	FSP291WM	FSP2910WM	1.1	(0.5)
	31 ⁵ / ₈	(803.3)	29 ³ / ₈	(746.1)	1,350	FSP321WM	FSP3210WM	1.2	(0.6)
	34 ¹ / ₈	(866.8)	31 ⁷ / ₈	(809.6)	1,500		FSP3410WM	1.3	(0.6)
	36 ⁷ / ₈	(936.6)	34 ⁵ / ₈	(879.5)	1,600		FSP3710WM	1.4	(0.7)
	40 ⁵ / ₈	(1031.9)	38 ³ / ₈	(974.7)	1,800		FSP4110WM	1.5	(0.7)
	46 ¹ / ₄	(1175.0)	44	(1117.0)	2,000		FSP4610WM	1.7	(0.8)

Applications: Air Heating

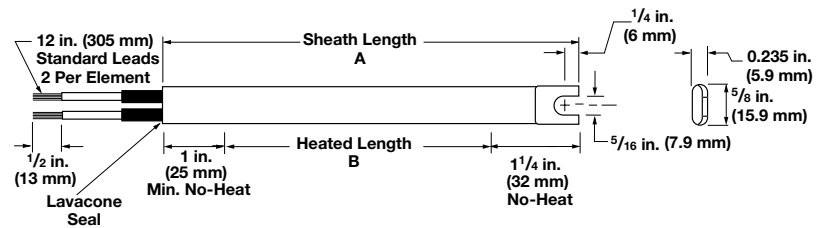
40 W/in ² 304 SS (6.2 W/cm ²)	8 ³ / ₄	(222.0)	6 ¹ / ₂	(165.0)	600	FSP91WK		0.4	(0.2)
	10 ¹ / ₄	(260.0)	7 ¹ / ₂	(203.0)	750	FSP101WK		0.4	(0.2)
	12 ¹ / ₄	(311.0)	10	(254.0)	900	FSP121WK	FSP1210WK	0.5	(0.3)
	13 ¹ / ₂	(343.0)	11 ¹ / ₄	(286.0)	1,000	FSP131WK	FSP1310WK	0.5	(0.3)
	16 ¹ / ₄	(413.0)	13 ⁷ / ₈	(352.4)	1,300	FSP161WK	FSP1610WK	0.6	(0.3)
	17 ³ / ₄	(451.0)	15 ¹ / ₂	(393.0)	1,450	FSP181WK	FSP1810WK	0.7	(0.4)
	19 ¹ / ₄	(489.0)	17	(431.0)	1,600		FSP1910WK	0.7	(0.4)
	22	(558.0)	19 ³ / ₄	(502.0)	1,800		FSP2210WK	0.8	(0.4)
	23 ³ / ₄	(603.0)	21 ¹ / ₂	(546.0)	2,000		FSP2410WK	0.9	(0.4)
	25	(635.0)	22 ³ / ₄	(578.0)	2,100		FSP2510WK	0.9	(0.4)
	28 ⁵ / ₈	(727.1)	26 ³ / ₈	(669.9)	2,500		FSP2910WK	1.1	(0.5)
	31 ⁵ / ₈	(803.2)	29 ³ / ₈	(746.1)	2,700		FSP3210WK	1.2	(0.6)
	34 ¹ / ₈	(866.8)	31 ⁷ / ₈	(809.6)	3,000		FSP3410WK	1.3	(0.6)
	36 ⁷ / ₈	(936.6)	34 ⁵ / ₈	(879.5)	3,200		FSP3710WK	1.4	(0.7)
	40 ⁵ / ₈	(1031.9)	38 ³ / ₈	(974.7)	3,600		FSP4110WK	1.5	(0.7)
	46 ¹ / ₄	(1175.0)	44	(1117.0)	4,000		FSP4610WK	1.7	(0.8)

- Manufacturing lead times

Tubular Heaters

FIREBAR Single/Double-Ended Heaters

5/8-Inch Single-Ended FIREBAR



FIREBAR Description	Sheath A Dimension		Heated B Dimension		Watts	Part Number		Est. Net Weight	
	in.	(mm)	in.	(mm)		120VAC	240VAC	lbs	(kg)

Applications: Radiant, Platens, Dies, Low-Temperature Ovens 300°F (150°C)

20 W/in ²	11 1/2	(292)	8	(203)	250	FSA121WM		0.3	(0.2)
Alloy 800	15 1/2	(394)	12	(304)	375	FSA161WM	FSA1610WM	0.4	(0.2)
(3.1 W/cm ²)	19 1/2	(495)	16	(406)	500	FSA201WM	FSA2010WM	0.5	(0.3)
	28	(711)	24	(609)	750	FSA281WM	FSA2810WM	0.6	(0.3)
	36	(914)	32	(812)	1,000	FSA361WM	FSA3610WM	0.8	(0.4)
	52	(1321)	48	(1219)	1,500	FSA521WM	FSA5210WM	1.2	(0.6)

- Manufacturing lead times

Tubular Heaters

FINBAR™ Single-Ended Heaters

Composed of aluminized steel fins press fitted to a one-inch single-ended FIREBAR element. The FINBAR™ is designed to improve heat transfer to the air and permits putting more power in tighter spaces—like forced air ducts, dryers, ovens and load bank resistors.

Heat transfer, lower sheath temperature and element life are all maximized by its finned construction. Installation is simplified by terminations exiting at one end and mounting accommodations on both ends.

Performance Capabilities

- Watt densities up to 50 W/in² (7.7 W/cm²)
- 304 stainless steel sheath temperatures up to 1200°F (650°C)
- Voltages up to 480VAC
- Amperages up to 48 amperes per heater or 16 amperes per coil

Features and Benefits

Rugged aluminized steel fins

- Provides an increase in surface area to approximately 16 square inches for every linear inch of element length. Fins press fitted to the heating element improve heat transfer to the air

Single-ended termination

- Simplifies wiring and installation

Stainless steel mounting bracket, welded to the terminal end, supplied with a slotted end

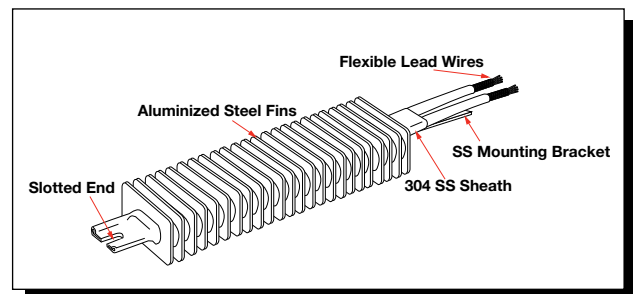
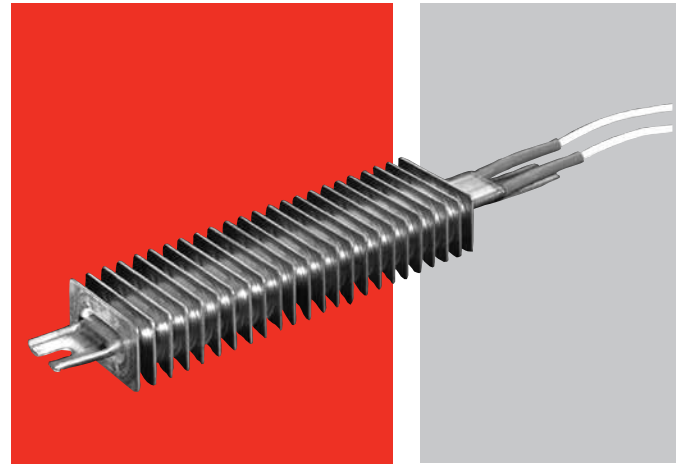
- Allows ease of installation

Lavacone seals

- Provides protection against humid storage conditions, moisture retardant to 221°F (105°C)

Typical Applications

- Forced air heating for dryers, ovens, ducts
- Still air heating for ovens, comfort heating
- Incubators
- Ink drying
- Load bank resistors



Construction Features

Watt Density: Up to 40 W/in² (6.2 W/cm²)

Fin Surface Area: 16 in²/linear in. (40.5 cm²/linear cm)

Fin Cross Section: 2 x 1 in. (50 x 25 mm)

Maximum Operating Temperature: Sheath material: 304 SS, 1200°F (650°C), Fin material; aluminized steel; 1100°F (600°C)

Heater Length: 11 to 120 in. (280 to 3050 mm)

No-Heat Length: 1 in. (25 mm) min., 12 in. (305 mm) max.

Voltages: Up to 240VAC

Phase: 1-phase parallel or 3-phase wye

Resistance Coils: 1 or 3

Terminations: Flexible lead wires, quick connect (spade), screw lug (plate) and threaded stud

Seal Material: Lavacone, rated to 221°F (105°C)

Single-End Configuration: Slotted

Agency Recognition: Refer to FIREBAR UL®

Tubular Heaters

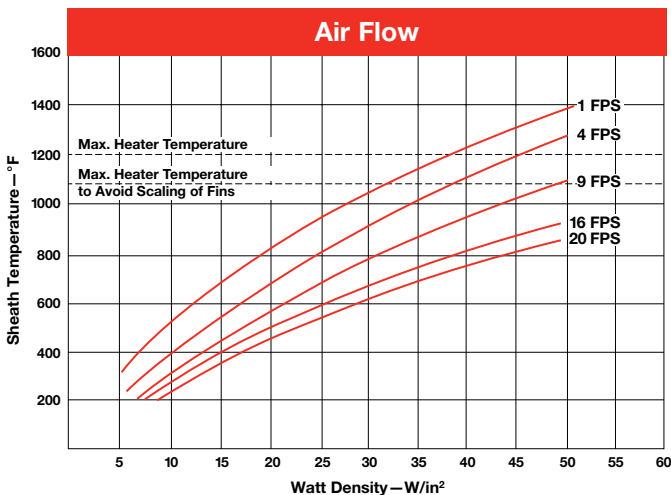
FINBAR Single-Ended Heaters

Air Heating

The *Watt Density, Air Flow and Sheath Temperature* graph shows the relationship between watt density, air flow velocity and sheath temperature, along with a recommended temperature to avoid deteriorating the fins. Be aware that **lower sheath temperature yields longer heater life**.

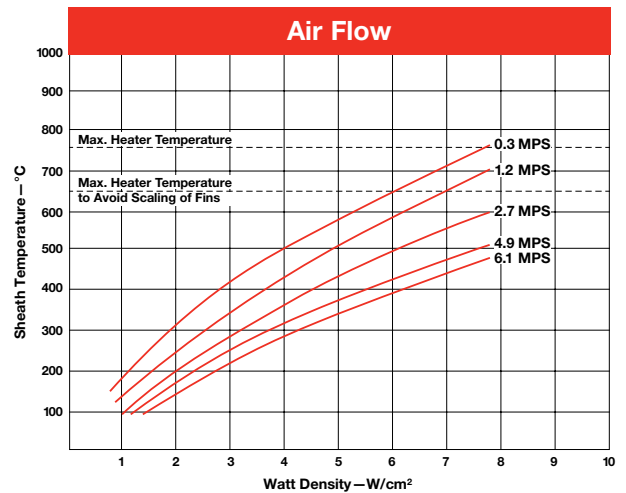
The graphic representation is based on a single-ended FINBAR, various air velocities (at 68°F/20°C inlet temperature) and different watt densities.

Watt Density, Air Flow and Sheath Temperature (°F)



To determine, from the graph, the operating temperature of the FINBAR's sheath, identify the air velocity curve that approximates your application in feet per second (meters per second). Then, look at the vertical line that most closely approximates the FINBAR's watt density. From the intersecting point, read over to the temperature column to determine the sheath's operating temperature.

Watt Density, Air Flow and Sheath Temperature (°C)



Dual Ended FINBAR

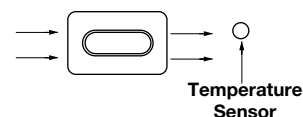
FINBAR elements are typically terminated at one end. Upon request, however, dual-ended FINBAR heaters can be ordered. To order, specify **dual-ended FINBAR** and lead length.

Application Hints

- Avoid deteriorating the fins by not exceeding the recommended maximum fin temperature of 1100°F (600°C).
- Ensure proper air flow to prevent premature heater failure.
- Locate the temperature sensor downstream from heater(s) for process temperature sensing.

The following mounting parameters are recommended:

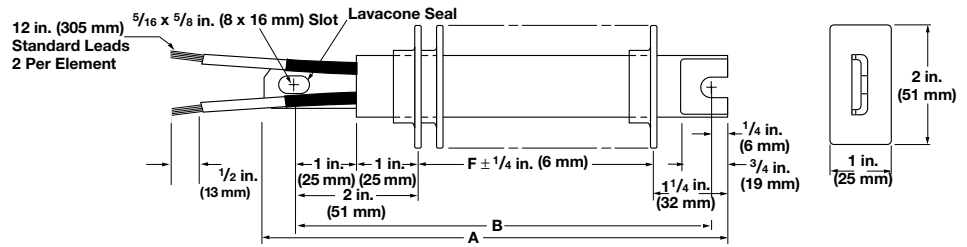
- Air flow over element must be parallel with the flat side.
- Element center line to element center line spacing must be a minimum of 1½ in. (38 mm).



Proper air flow relative to the heater's sheath is parallel with the longer cross sectional axis.

Tubular Heaters

FINBAR Single-Ended Heaters



FINBAR Description	Overall A Dimension		Overall F Dimension		Mounting B Dimension		Watts	Part Number		Est. Net Wt.	
	in.	(mm)	in.	(mm)	in.	(mm)		120VAC	240VAC	lbs	(kg)

Application: Forced Air

20 W/in ² 304 SS (3.1 W/cm ²)	10 ¹ / ₄	(260.0)	6 ¹ / ₂	(158.0)	9 ¹ / ₂	(241.0)	300	FSP91WMF		1.4	(0.7)
	11 ³ / ₄	(298.0)	8	(203.0)	11	(279.0)	375	FSP101WMF		1.4	(0.7)
	13 ³ / ₄	(349.0)	10	(254.0)	13	(330.0)	450	FSP121WMF		1.5	(0.7)
	15	(381.0)	11 ¹ / ₄	(285.0)	14 ¹ / ₄	(362.0)	500	FSP141WMF		1.5	(0.7)
	17 ⁵ / ₈	(447.7)	13 ⁷ / ₈	(352.4)	16 ⁷ / ₈	(428.6)	650	FSP161WMF	FSP1610WMF	1.6	(0.8)
	19 ¹ / ₄	(489.0)	15 ¹ / ₂	(393.0)	18 ¹ / ₂	(469.0)	725	FSP181WMF	FSP1810WMF	1.7	(0.8)
	20 ³ / ₄	(527.0)	17	(431.0)	20	(508.0)	800	FSP191WMF	FSP1910WMF	1.7	(0.8)
	23 ¹ / ₂	(597.0)	19 ³ / ₄	(501.0)	22 ³ / ₄	(577.0)	900	FSP221WMF	FSP2210WMF	1.8	(0.9)
	25 ¹ / ₄	(641.0)	21 ¹ / ₂	(546.0)	24 ¹ / ₂	(622.0)	1000	FSP241WMF	FSP2410WMF	1.9	(0.9)
	26 ¹ / ₂	(673.0)	22 ³ / ₄	(577.0)	25 ³ / ₄	(654.0)	1050	FSP251WMF	FSP2510WMF	1.9	(0.9)
	30 ¹ / ₈	(765.2)	26 ³ / ₈	(669.9)	29 ³ / ₈	(746.1)	1250	FSP291WMF	FSP2910WMF	2.1	(1.0)
	33 ¹ / ₈	(841.4)	29 ³ / ₈	(746.1)	32 ³ / ₈	(822.3)	1350	FSP321WMF	FSP3210WMF	2.2	(1.0)
	35 ⁵ / ₈	(904.9)	31 ⁷ / ₈	(809.6)	34 ⁷ / ₈	(885.8)	1500		FSP3410WMF	2.3	(1.1)
	38 ³ / ₈	(974.7)	34 ⁵ / ₈	(879.5)	37 ⁵ / ₈	(955.7)	1600		FSP3710WMF	2.4	(1.1)
42 ¹ / ₈	(1070.0)	38 ³ / ₈	(974.7)	41 ³ / ₈	(1051.0)	1800		FSP4110WMF	2.5	(1.2)	
47 ³ / ₄	(1213.0)	44	(1117.0)	47	(1193.0)	2000		FSP4610WMF	2.7	(1.3)	
40 W/in ² 304 SS (6.2 W/cm ²)	10 ¹ / ₄	(260.0)	6 ¹ / ₂	(158.0)	9 ¹ / ₂	(241.0)	600	FSP91WKF		1.4	(0.7)
	11 ³ / ₄	(298.0)	8	(203.0)	11	(279.0)	750	FSP101WKF		1.4	(0.7)
	13 ³ / ₄	(349.0)	10	(254.0)	13	(330.0)	900	FSP121WKF	FSP1210WKF	1.5	(0.7)
	15	(381.0)	11 ¹ / ₄	(285.0)	14 ¹ / ₄	(362.0)	1000	FSP131WKF	FSP1310WKF	1.5	(0.7)
	17 ⁵ / ₈	(447.7)	13 ⁷ / ₈	(352.4)	16 ⁷ / ₈	(428.6)	1300	FSP161WKF	FSP1610WKF	1.6	(0.8)
	19 ¹ / ₄	(489.0)	15 ¹ / ₂	(393.0)	18 ¹ / ₂	(469.0)	1450	FSP181WKF	FSP1810WKF	1.7	(0.8)
	20 ³ / ₄	(527.0)	17	(431.0)	20	(508.0)	1600		FSP1910WKF	1.7	(0.8)
	23 ¹ / ₂	(597.0)	19 ³ / ₄	(501.0)	22 ³ / ₄	(577.0)	1800		FSP2210WKF	1.8	(0.9)
	25 ¹ / ₄	(641.0)	21 ¹ / ₂	(546.0)	24 ¹ / ₂	(622.0)	2000		FSP2410WKF	1.9	(0.9)
	26 ¹ / ₂	(673.0)	22 ³ / ₄	(577.0)	25 ³ / ₄	(654.0)	2100		FSP2510WKF	1.9	(0.9)
	30 ¹ / ₈	(765.2)	26 ³ / ₈	(669.9)	29 ³ / ₈	(746.1)	2500		FSP2910WKF	2.1	(1.0)
	33 ¹ / ₈	(841.4)	29 ³ / ₈	(746.1)	32 ³ / ₈	(822.3)	2700		FSP3210WKF	2.2	(1.0)
	35 ⁵ / ₈	(904.9)	31 ⁷ / ₈	(809.6)	34 ⁷ / ₈	(885.8)	3000		FSP3410WKF	2.3	(1.1)
	38 ³ / ₈	(974.7)	34 ⁵ / ₈	(879.4)	37 ⁵ / ₈	(955.7)	3200		FSP3710WKF	2.4	(1.1)
42 ¹ / ₈	(1070.0)	38 ³ / ₈	(974.7)	41 ³ / ₈	(1050.9)	3600		FSP4110WKF	2.5	(1.2)	
47 ³ / ₄	(1213.0)	44	(1117.0)	47	(1193.0)	4000		FSP4610WKF	2.7	(1.3)	

• M - Manufacturing lead times

Flexible Heaters

Flexible Heaters	Sheath Materials	Max. Operating Temperatures		Typical Max. Watt Densities		Page
		°F	°C	W/in ²	W/cm ²	
Silicone Rubber	Silicone rubber	500	260	80.0	12.50	119
Line Heating	Silicone rubber	392	200	2.5	0.39	133
Polyimide	Polyimide	392	200	50.0	7.75	148
SERIES EHG[®] Controller	N/A	158*	70*	N/A		152
SERIES EHG SL10 Controller with Limit	N/A	158*	70*	N/A		154
SERIES EHG CL Controller	N/A	158*	70*	N/A		158

* Ambient environment, not maximum controlling temperature.





Flexible Heaters

Flexible Shapes and Geometries

Flexible heaters are thin, bendable and shaped to fit almost any type of equipment. Heat can be applied to complex shapes and geometries without sacrificing efficiency or dependability.

Excellent heat transfer results from the heater's thin design and direct bonding to an application. Flexible heaters provide fast heat-up and cool-down rates, uniform heat distribution and high watt densities.

Features and Benefits

Flat geometry

- Permits holes, notches and unusual shapes

Option of two material types and two element styles

- Allow wider flexibility

Lightweight construction and low thermal mass

- Permit use in applications with limited space or weight requirements

Heating elements as close as 0.003 in. (0.08 mm)

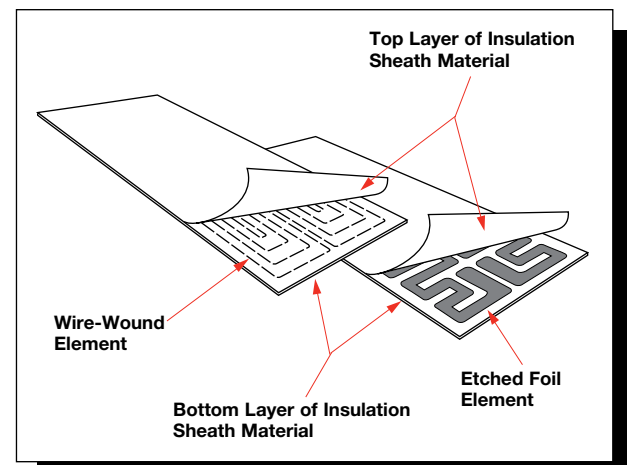
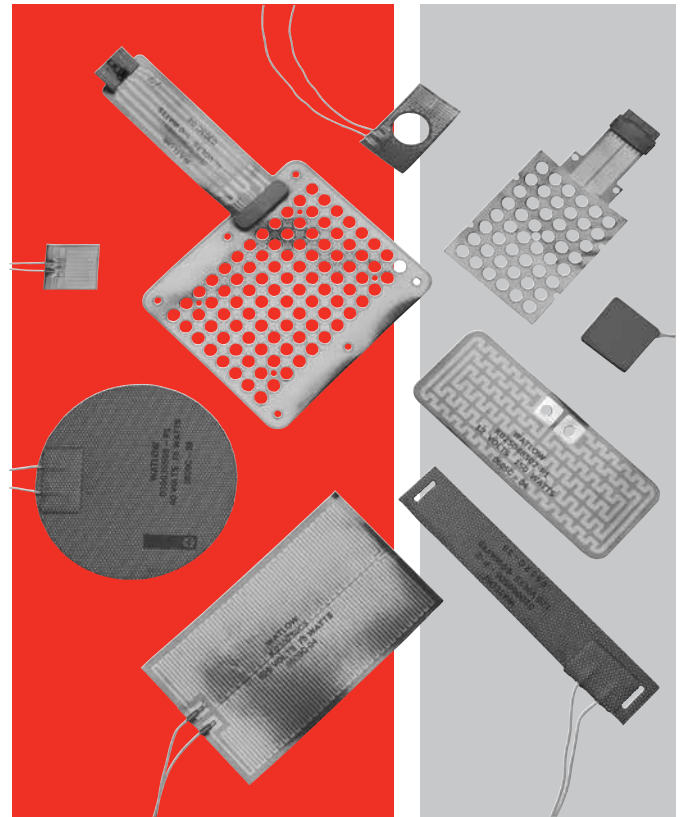
- Creates faster heat-up and cool-down time

Uniformly spaced element paths

- Distributes heat more evenly

Typical Applications

- Medical equipment including blood analyzers, respiratory therapy units and hydrotherapy baths
- Semiconductor equipment, including vacuum and gas delivery lines and wafer processing equipment
- Foodservice equipment, including food holding and warming cabinets
- Battery heating
- Satellite and communication equipment
- Freeze protection for military hardware, aircraft instrumentation, hydraulic equipment, etc.
- Any application requiring a flexible shape or design



Flexible Heaters

Flexible Shapes and Geometries

Applications and Technical Data

Two Material Types

Silicone Rubber

Rugged, moisture- and chemical-resistant material easily can be bonded to parts for effective heat transfer. Watlow silicone rubber heaters handle temperatures up to 500°F (260°C). Many heater styles are available with UR®, cUR®, VDE and CE recognition.

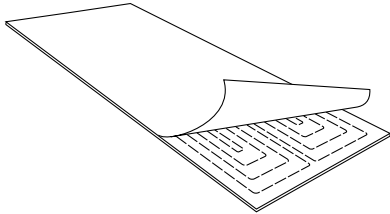
Polyimide

Polyimide is a thin, lightweight transparent material designed for precise heating requirements ranging from -319 to 392°F (-195 to 200°C). It is ideal for applications requiring low outgassing in a vacuum or resistance to radiation, fungus and chemicals. Many custom heaters can be UR® and cUR® recognized.

Two Element Types

Watlow offers wire-wound and etched foil resistance elements for silicone rubber heaters. Watlow can recommend the type best suited to your application.

Wire-Wound Elements

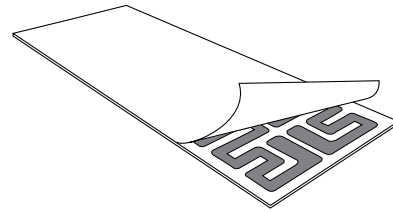


This element style is created by spiraling fine resistance wires around a fiberglass cord. The element is laid out in a pattern designed for a specific application. The benefits of wire-wound elements include:

- Excellent physical strength and flexibility. Repeated heater flexing has no harmful effects on its performance
- The ability to conform easily to curved surfaces, including small radius bends

Semiconductor pumpline heaters are typical examples of applications that use the wire-wound method. These heaters are flexed repeatedly during removal and installation, but due to their wiring, no internal damage occurs.

Etched Foil Elements



This element type is created by acid etching a circuit in nickel alloy resistance foil. It is available in silicone rubber and polyimide heater types. The etched foil element is known for its excellent circuit pattern repeatability and superior heat transfer, which results from greater coverage of the element. Other benefits include:

- Delivery of more heat and up to twice the watt density of a wire-wound element provides longer heater life
- Complex heat distribution patterns

The etched foil element style is usually recommended for applications requiring high temperatures, watt densities, or multiple zoning.

Flexible Heaters

Silicone Rubber Heaters

Rugged, yet thin, lightweight and flexible — use of Watlow® silicone rubber heaters is limited only by the imagination. Heat can be put exactly where it is needed to improve heat transfer, speed warm ups and decrease wattage requirements in an application process.

Fiberglass-reinforced silicone rubber provides dimensional stability without sacrificing flexibility. Because very little material separates the element from the part, heat transfer is rapid and efficient. Heaters are constructed with a wire-wound element or with an etched foil element. Its thin construction allows it to fit into applications where space is limited.

Performance Capabilities

- Operating temperatures up to 500°F (260°C)
- Watt densities up to 80 W/in² (12.5 W/cm²), dependent upon application temperature
- Wire-wound element thickness — 0.055 in. (1.4 mm)
- Etched foil element — 0.022 in. (0.56 mm)
- UR®, cUR®, VDE and CE recognitions are available on many designs up to 428°F (220°C)

Features and Benefits

Designed to the exact shape and size needed

- Conforms to component and/or equipment

More than 80 designs available immediately from stock

- Reduces downtime

Constructed with wire-wound or etched foil elements

- Enables a thin, lightweight heater
- Provides the desired flexibility for many dynamic applications
- Delivers low mass and easily repeatable distributed watt densities

Moisture and chemical-resistant silicone rubber material

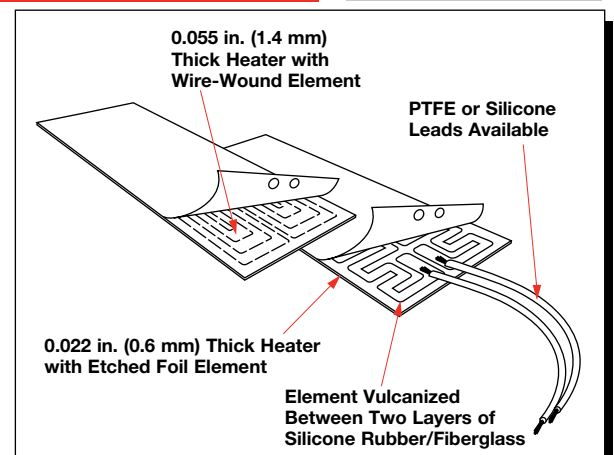
- Provides longer heater life

Vulcanizing adhesives or fasteners

- Allows heaters to be easily bonded to parts

Typical Applications

- Semiconductor processing equipment
- Freeze protection and condensation prevention for many types of instrumentation and equipment
- Medical equipment such as blood analyzers and test tube heaters
- Computer peripherals such as laser printers
- Curing of plastic laminates
- Photo processing equipment



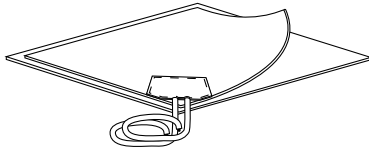
Flexible Heaters

Silicone Rubber Heaters

Mounting Methods

Watlow offers various attachment techniques designed for fast installation.

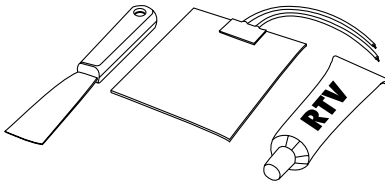
Pressure Sensitive Adhesive Surface (PSAS)



For speed, convenience and economy of installation, specify PSAS. Simply peel off the protective backing and roll the heater in place for an even bond to a clean, smooth surface. PSAS is not recommended for curved surfaces or for heaters rated above 10 W/in² (1.5 W/cm²). It should not be used for applications exceeding 400°F (205°C) on silicone rubber and 300°F (150°C) on polyimide.

Note: PSAS has a maximum six-month storage life at or below 86°F (30°C) before heater installation.

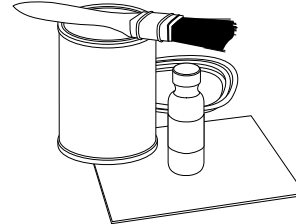
Field Applied Adhesive



For a stronger bond or when long storage is probable, room temperature vulcanizing (RTV) silicone adhesive works well. Watlow offers red RTV for temperatures up to 500°F (260°C). White RTV is available from adhesive suppliers for temperatures up to 400°F (205°C). Watlow's one-part RTV is self-priming and can be ordered in either 3 oz (90 ml) or 12 oz (355 ml) tubes. For larger heaters requiring longer adhesive working time, two-part RTV kits can be purchased from adhesive suppliers. These kits require primer on the surface prior to adhesive application.

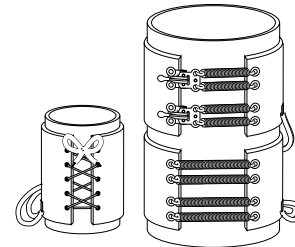
Note: Not recommended for polyimide heaters.

Silicone Contact Cement Kit



This two-part adhesive consists of a resin and catalyst that are easily mixed together and applied with a paintbrush. Recommended usage is for field cementing of silicone rubber heaters to customer parts. Available for immediate delivery, the cement kit handles temperatures up to 350°F (175°C). The resin is available in pint or quart containers. To order, specify **silicone contact cement** and the container size.

Mechanical Fasteners



When a wire-wound flexible heater must be detachable, any type of fastener normally used with fabrics can usually be built into the flexible heater's sheath material. The most common types are latch fasteners, boot hooks and grommets. Other styles include snap fasteners, springs and lacing cord. (Hook and loop style fastener strips are only available as part of the extended capabilities offering.) Grommets and boot hooks are commonly used with tension springs to compensate for slight variations in part size.

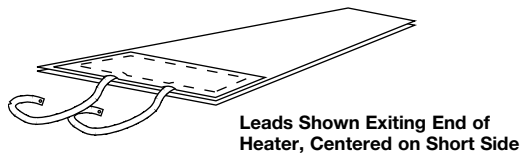
Flexible Heaters

Silicone Rubber Heaters

Termination Styles

Watlow offers many types of leads and terminations. Leads can project from any position along the perimeter of the unit. **They are centered on the short side width of rectangular heaters unless specified.**

PTFE UL® 1180 CSA



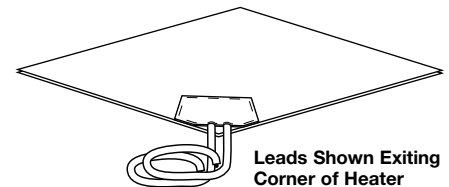
Watlow's leads are 12 in. (305 mm) long, white, PTFE insulated, flexible, plated copper UL® 1180 CSA wire. Leads are rated for 392°F (200°C)/300V. Lead connections on or at the heater are insulated with a cap of sheath material vulcanized to the heater body.

PTFE Leads



PTFE Type E (MIL-W-16878) and PTFE UL® 1199 leads rated for 392°F (200°C)/600V are also available.

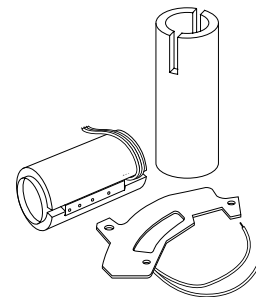
Silicone Insulated Leads



For a better moisture seal, specify UL® silicone insulated lead wires. This lead type is rated for 302°F (150°C)/600V. Any lead length is available. **Note:** Silicone rubber heaters are not designed to be waterproof. Excess exposure to moisture may facilitate premature heater failure.

Option

Thermal Insulation



To increase heating efficiency of your application, silicone rubber heaters can be thermally insulated with silicone sponge rubber bonded to one side in the following thicknesses: 1/16, 1/8, 1/4, 3/8 or 1/2 in. (1.6, 3.2, 6, 9.5 or 13 mm).

An aluminized surface can be added to the back side of the heater to reduce radiated heat losses. This aluminized surface, called "low loss treatment," adds very little to the unit thickness or mass and maintains a very clean appearance.

Flexible Heaters

Silicone Rubber Heaters

Applications and Technical Data

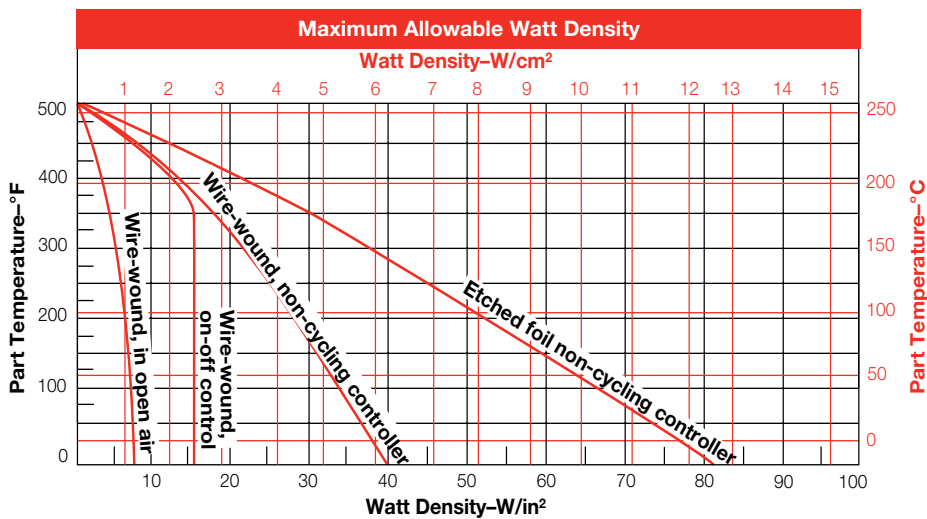
Determining Watt Density

The *Maximum Allowable Watt Density* graph illustrates the maximum recommended heater watt density at various metal parts or ambient air temperatures. However, it does not indicate the watt density necessary to achieve a given part temperature. See the *Surface Temperature vs. Time* graph on the next page for assistance with these calculations. When using this graph, consider:

- Part temperature is measured at the point where the heater contacts the metal part.
- Thermostats and on-off controllers are typically bimetal or capillary bulb.
- Non-cycling controllers are typically solid state, time-proportioning or silicone controlled rectifier (SCR) temperature controllers.

- Watt density values should be de-rated by one third if insulation is used.
- UL® recognition temperature limits are not detailed.
- Contact your Watlow representative prior to selecting high watt density etched-foil elements, or operating heaters with back side insulation or non-metallic parts which are poor thermal conductors.

Example: A wire-wound heater with a non-cycling controller at a part temperature of 250°F (120°C) can be rated at 24 W/in² (3.7 W/cm²) maximum. An etched foil heater operating under the same conditions can be rated at 45 W/in² (7 W/cm²) maximum.



Silicone Rubber Specifications

Max. width x max. length

- Wire wound: 36 x 120 in. (914 mm x 3048 mm)
- Etched foil: 18 x 34 in. (457 mm x 863 mm)

Thickness

- Wire wound: 0.055 in. (1.4 mm)
- Etched foil: 0.022 in. (0.6 mm)

Weight

- Wire wound: 8 oz/ft² (0.24 g/cm²)
- Etched foil: 3 oz/ft² (0.09 g/cm²)

Max. operating temperature: 500°F (260°C)

Max. temperature for UL® recognition: 428°F (220°C)

Min. ambient temperature: -80°F (-62°C)

Max. voltage: 600V

Max. wattage: see watt density graph

Lead size: sized to load

Lead length: 12 +1/2 -1/2 in. (305 mm +38 mm -13 mm)

Wattage tolerance

- Wire: ±5%
- Foil: +5% -10%

Dimensional tolerances

- 0 to 6 in. (0 to 152 mm): ±1/16 in. (1.59 mm)
- 6 to 18 in. (152 to 457 mm): ±1/8 in. (3.18 mm)
- 18 to 36 in. (457 mm to 914 mm): ±3/16 in. (4.76 mm)
- Over 36 in. (914 mm): ±1%

Flexible Heaters

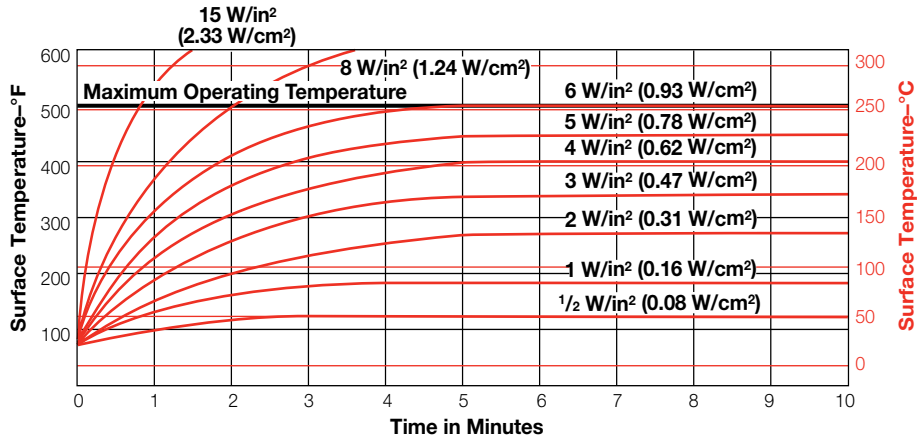
Silicone Rubber Heaters

Applications and Technical Data (Continued)

Surface Temperature vs. Time

This graph illustrates the surface temperature a silicone rubber heater will reach when uninsulated and suspended vertically in 70°F (20°C) still air.

Data is based on 0.055 in. (1.4 mm) thick construction and is offered as a reference tool.



UR®, cUR®, VDE and CE Recognition for Silicone Rubber Heaters

Watlow frequently works with customers requiring agency approvals such as UR®, cUR®, VDE and CE. Many silicone rubber heaters are available with one or more certifications.



UL® Component Recognition (UR®) of factory-bonded heaters is available up to 392°F (200°C) and for customer installed heaters up to 428°F (220°C) (UL® File No. E52951).

For Canadian recognition, Watlow offers **cUR® Recognized** silicone rubber heaters under UL® File #E52951. Several constructions are available with ratings to 600V and 428°F (220°C) maximum surface temperature. Contact your Watlow representative for further information.

VDE Approval is available on several constructions of both wire-wound (File No. 62533) and etched foil (File No. 62535) silicone rubber heaters. Maximum ratings are 440V and 428°F (220°C) surface temperature. Under VDE guidelines, minimum installed bend radius is 1/8 in. (3.2 mm) for etched foil and 1/4 in. (6 mm) for wire wound. VDE states that the user is responsible for the safe application, installation and wiring of heaters. Maximum working temperature must be maintained by an appropriate temperature controller.

The **CE mark** is available on UR® and/or VDE recognized heaters.

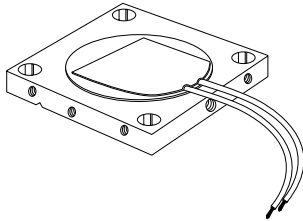
Options

Watlow offers options including attachment techniques, thermostats, special leads, holes and cutouts and three-dimensional shapes as described in the introduction to flexible heaters section.

Extended Capabilities For Silicone Rubber Heaters

Mounting Methods

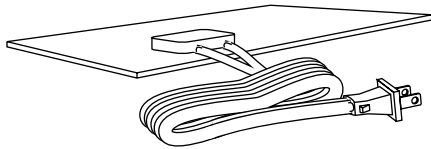
Factory Bonding



This attachment technique provides a strong, void-free bond for excellent heat transfer and extended heater life that has proven to be successful. Bonding is recommended for applications that reach maximum temperatures of 500°F (260°C) on silicone rubber and 300°F (150°C) on polyimide.

Termination Styles

HPN Cord and Plug Set

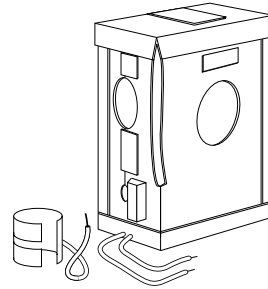


**Molded Leads are Shown Exiting Edge of Heater;
Capped Leads are also Available.**

For removable heaters, a 6 ft (1.8 m) HPN cord and plug set provides convenience. It is rated for 194°F (90°C)/300V. An HPN cord without a plug is also available in any length.

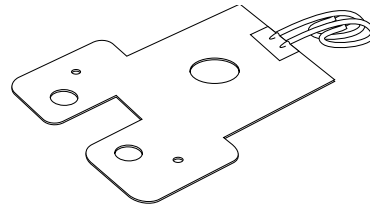
Construction

Formed Heaters



Many three-dimensional shapes, such as cylinders, cones and boxes, can be factory formed. Semi-rigid shapes can self-grip to the part. Special tooling may be required for some designs.

Holes, Cutouts and Notches



Watlow provides flexible heaters with special holes, cutouts and notches in nearly any position required for your design. The resistance element can be brought to within 1/8 in. (3.2 mm) of all edges. Standard spacing is 1/4 in. (6 mm) from all edges.

Flexible Heaters

Silicone Rubber Heaters

Wire-Wound Elements – RAPID SHIP Offering

Width		Length		Watts	120VAC	120/240VAC
in.	(mm)	in.	(mm)		Part Number	Part Number
1	(25)	2	(51)	10	010020C1*	
		3	(76)	15	010030C1*	
		4	(102)	20	010040C1*	
		5	(127)	25	010050C1*	
		5	(127)	6.25/25		010050C2*
		10	(254)	50	010100C1	
		10	(254)	12.50/50		010100C2*
		15	(381)	75	010150C1	
		15	(381)	18.75/75		010150C2
		20	(508)	100	010200C1	
		20	(508)	25/100		010200C2
		25	(635)	125	010250C1	
		30	(762)	150	010300C1	
		35	(889)	175	010350C1	
		40	(1016)	200	010400C1	
80	(2032)	400	010800C1			
120	(3048)	600	010F10C1			
2	(51)	2	(51)	20	020020C1*	
		5	(127)	50	020050C1	
		5	(127)	12.50/50		020050C2*
		10	(254)	100	020100C1	
		10	(254)	25/100		020100C2
		15	(381)	150	020150C1	
		15	(381)	37.50/150		020150C2
		20	(508)	200	020200C1	
		20	(508)	50/200		020200C2
		25	(635)	250	020250C1	
		30	(762)	300	020300C1	
		35	(889)	350	020350C1	
40	(1016)	400	020400C1			
3	(76)	3	(76)	45	030030C1	
		5	(127)	75	030050C1	
		5	(127)	18.75/75		030050C2
		10	(254)	150	030100C1	
		10	(254)	37.50/150		030100C2
		15	(381)	225	030150C1	
		15	(381)	56.25/225		030150C2
		20	(508)	300	030200C1	
		20	(508)	75/300		030200C2
		25	(635)	375	030250C1	
		30	(762)	450	030300C1	
		35	(889)	525	030350C1	
		40	(1016)	600	030400C1	

CONTINUED

RAPID SHIP

- **RS** - Next day shipment up to 10 pieces for orders with part number configuration -0001B.

* Due to their high resistance, these heaters are not recommended for curved or flexing applications.

Notes:

- Thickness 0.055 in. (1.4 mm)
- Heaters have lead length of 12 in. (305 mm) UL® 1180 PTFE
- UL® component recognition
- Silicone rubber wire-wound elements rated at 5 W/in² (0.78 W/cm²)

Flexible Heaters

Silicone Rubber Heaters

Wire-Wound Elements – RAPID SHIP Offering (Continued)

Width		Length		Watts	120VAC Part Number	120/240VAC Part Number
in.	(mm)	in.	(mm)			
4	(102)	4	(102)	80	040040C1	
		5	(127)	100	040050C1	
		5	(127)	25/100		040050C2
		10	(254)	200	040100C1	
		10	(254)	50/200		040100C2
		15	(381)	300	040150C1	
		15	(381)	75/300		040150C2
		20	(508)	400	040200C1	
		20	(508)	100/400		040200C2
		25	(635)	500	040250C1	
		30	(762)	600	040300C1	
35	(889)	700	040350C1			
40	(1016)	800	040400C1			
5	(127)	5	(127)	125	050050C1	
		5	(127)	31.25/125		050050C2
		10	(254)	250	050100C1	
		10	(254)	62.50/250		050100C2
		15	(381)	375	050150C1	
		15	(381)	9.38/375		050150C2
		20	(508)	500	050200C1	
		20	(508)	125/500		050200C2
		25	(635)	625	050250C1	
		30	(762)	750	050300C1	
		35	(889)	875	050350C1	
40	(1016)	1000	050400C1			
6	(152)	5	(127)	150	060050C1	
		5	(127)	37.50/150		060050C2
		10	(254)	300	060100C1	
		10	(254)	75/300		060100C2
		15	(381)	450	060150C1	
		15	(381)	112.50/450		060150C2
		20	(508)	600	060200C1	
		20	(508)	150/600		060200C2
		25	(635)	750	060250C1	
		30	(762)	900	060300C1	
		35	(889)	1050	060350C1	
40	(1016)	1200	060400C1			

RAPID SHIP

- RS - Next day shipment up to 10 pieces for orders with part number configuration -0001B.

* Due to their high resistance, these heaters are not recommended for curved or flexing applications.

Notes:

- Thickness 0.055 in. (1.4 mm)
- Heaters have lead length of 12 in. (305 mm) UL® 1180 PTFE
- UL® component recognition
- Silicone rubber wire-wound elements rated at 5 W/in² (0.78 W/cm²)

Flexible Heaters

Silicone Rubber Heaters

Wire-Wound Elements – RAPID SHIP Offering Coding Configured Options

To order, complete the part number with the information below:

Wire Wound

0 - - - - - - - - - -

Modification Options
0 = None
A = PSAS bottom
B = PSAS top
E = With plate, heater on side opposite flange
F = With plate, heater on flange side
G = Flaps + grommets
H = Flaps + boot hooks
J = Flaps + latch fasteners
K = PSAS and low loss
L = Low loss
M = Low loss + flaps + grommets
N = Low loss + flaps + boot hooks
P = Low loss + flaps + latch fasteners
R = 1/16 in. sponge
S = 1/8 in. sponge
T = 1/4 in. sponge
U = 3/8 in. sponge
V = 1/2 in. sponge
W = PSAS + 1/16 in. sponge
Y = PSAS + 1/8 in. sponge
1 = PSAS + 1/4 in. sponge
2 = PSAS + 3/8 in. sponge
3 = PSAS + 1/2 in. sponge

Sensors Type	LOC	WIR
0 = None		
L = T10	STD	STD
M = T10	STD	ALT
N = T10	ALT	STD
P = T10	ALT	ALT
R = T207	STD	STD
S = T207	STD	ALT
T = T207	ALT	STD
U = T207	ALT	ALT
V = T207E	On heater	STD
W = T207E	Remote	STD
4 = JSTD	STD	STD
6 = JALT	STD	STD
7 = KSTD	STD	STD

- For thermostats, standard location is as shown in catalog; standard wiring is integral or in series with the heater, alternate location is rotated parallel with heater width, alternate wiring is separate leads for pilot control.

- For thermocouples, Type J standard is PFA insulation, Type J alternate is fiberglass insulation, Type K standard is fiberglass insulation.

T10 Set °F*
0 = None
A = 125
B = 150
E = 175
F = 200
G = 225
H = 250
J = 275
K = 300
T207 Set °F*
0 = None
1 = 40/55
2 = 60/75
3 = 95/110
4 = 145/160
T/C Length
0 = None
A = 8 in.
B = 12 in.
E = 18 in.
F = 24 in.
G = 30 in.
H = 36 in.
J = 40 in.
K = 4 ft
L = 5 ft
M = 6 ft
N = 7 ft
P = 8 ft
R = 9 ft
S = 10 ft
T = 12 ft
U = 15 ft
V = 18 ft
W = 20 ft
Y = 22 ft
1 = 25 ft
2 = 30 ft

* For all thermostats the heater must be a 2 in. (51 mm) min. width and 5 in. (127 mm) min. length.

Lead Insulation
0 = None
1 = 1180 UL®R/C
2 = 1180 C-UL®R/C
3 = 3133 22 Ga.
6 = 1199 CSA
7 = HPN
8 = 6 ft HPN set
9 = Type E PTFE
A = 1180VDE*
B = 1199VDE*
C = Silicone leads w/waterproof cap
E = SJO cord
F = 6 ft SJO set

* 1180VDE denotes a C-UL® heater plus a VDE stamp.

Lead Length*
A = 8 in.
B = 12 in.
E = 18 in.
F = 24 in.
G = 30 in.
H = 36 in.
J = 40 in.
K = 4 ft
L = 5 ft
M = 6 ft
N = 7 ft
P = 8 ft
R = 9 ft
S = 10 ft
T = 12 ft
U = 15 ft
V = 18 ft
W = 20 ft
Y = 22 ft
1 = 25 ft
2 = 30 ft

* Customer specified length must be noted in inches when ordering.

Flexible Heaters

Silicone Rubber Heaters

Etched Foil Elements – RAPID SHIP Offering

Width in. (mm)	Length in. (mm)	Watts	W/in ² (W/cm ²)	120VAC Part Number	120/240VAC Part Number	
1 (25)	5 (127)	25	5 (0.8)	F010050C3		
	5 (127)	50	10 (1.6)	F010050C7		
	5 (127)	12.5/50	2.5/10 (0.4/1.6)			F010050C8
	10 (254)	100	10 (1.6)	F010100C7		
	10 (254)	25/100	2.5/10 (0.4/1.6)			F010100C8
	15 (381)	150	10 (1.6)	F010150C7		
	15 (381)	37.5/150	2.5/10 (0.4/1.6)			F010150C8
	20 (508)	200	10 (1.6)	F010200C7		
20 (508)	50/200	2.5/10 (0.4/1.6)		F010200C8		
2 (51)	5 (127)	100	10 (1.6)	F020050C7		
	5 (127)	25/100	2.5 /10 (0.4/1.6)			F020050C8
	10 (254)	200	10 (1.6)	F020100C7		
	10 (254)	50/200	2.5 /10 (0.4/1.6)			F020100C8
	15 (381)	300	10 (1.6)	F020150C7		
	15 (381)	75/300	2.5/10 (0.4/1.6)			F020150C8
	20 (508)	400	10 (1.6)	F020200C7		
	20 (508)	100/400	2.5/10 (0.4/1.6)		F020200C8	
3 (76)	5 (127)	75	5 (0.8)	F030050C3		
	5 (127)	150	10 (1.6)	F030050C7		
	5 (127))	37.5/150	2.5 /10 (0.4/1.6)			F030050C8
	10 (254)	300	10 (1.6)	F030100C7		
	10 (254)	75/300	2.5 /10 (0.4/1.6)			F030100C8
	15 (381)	450	10 (1.6)	F030150C7		
	15 (381)	112/450	2.5 /10 (0.4/1.6)			F030150C8
	20 (508)	600	10 (1.6)	F030200C7		
20 (508)	150/600	2.5 /10 (0.4/1.6)		F030200C8		
4 (102)	5 (127)	200	10 (1.6)	F040050C7		
	5 (127)	50/200	2.5 /10 (0.4/1.6)			F040050C8
	10 (254)	400	10 (1.6)	F040100C7		
	10 (254)	100/400	2.5 /10 (0.4/1.6)			F040100C8
	15 (381)	600	10 (1.6)	F040150C7		
	15 (381)	150/600	2.5/10 (0.4/1.6)			F040150C8
	20 (508)	800	10 (1.6)	F040200C7		
	20 (508)	200/800	2.5/10 (0.4/1.6)		F040200C8	
5 (127)	5 (127)	250	10 (1.6)	F050050C7		
	5 (127)	62.5/250	2.5/10 (0.4/1.6)			F050050C8
	10 (254)	500	10 (1.6)	F050100C7		
	10 (254)	125/500	2.5/10 (0.4/1.6)			F050100C8
	15 (381)	750	10 (1.6)	F050150C7		
	15 (381)	187/750	2.5/10 (0.4/1.6)			F050150C8
	20 (508)	1000	10 (1.6)	F050200C7		
	20 (508)	250/1000	2.5/10 (0.4/1.6)		F050200C8	
6 (152)	5 (127)	300	10 (1.6)	F060050C7		
	5 (127)	75/300	2.5/10 (0.4/1.6)			F060050C8
	10 (254)	600	10 (1.6)	F060100C7		
	10 (254)	150/600	2.5 /10 (0.4/1.6)			F060100C8
	15 (381)	900	10 (1.6)	F060150C7		
	15 (381)	225/900	2.5/10 (0.4/1.6)			F060150C8
	20 (508)	1200	10 (1.6)	F060200C7		
	20 (508)	300/1200	2.5/10 (0.4/1.6)		F060200C8	

RAPID SHIP

• RS - Next day shipment up to 10 pieces for orders with part number configuration 0001B.

Notes:

- Silicone rubber etched foil elements 0.022 in. (0.56 mm) thick
- Heaters have standard lead length of 12 in. (305 mm) UL® 1180 PTFE
- UL® component recognition

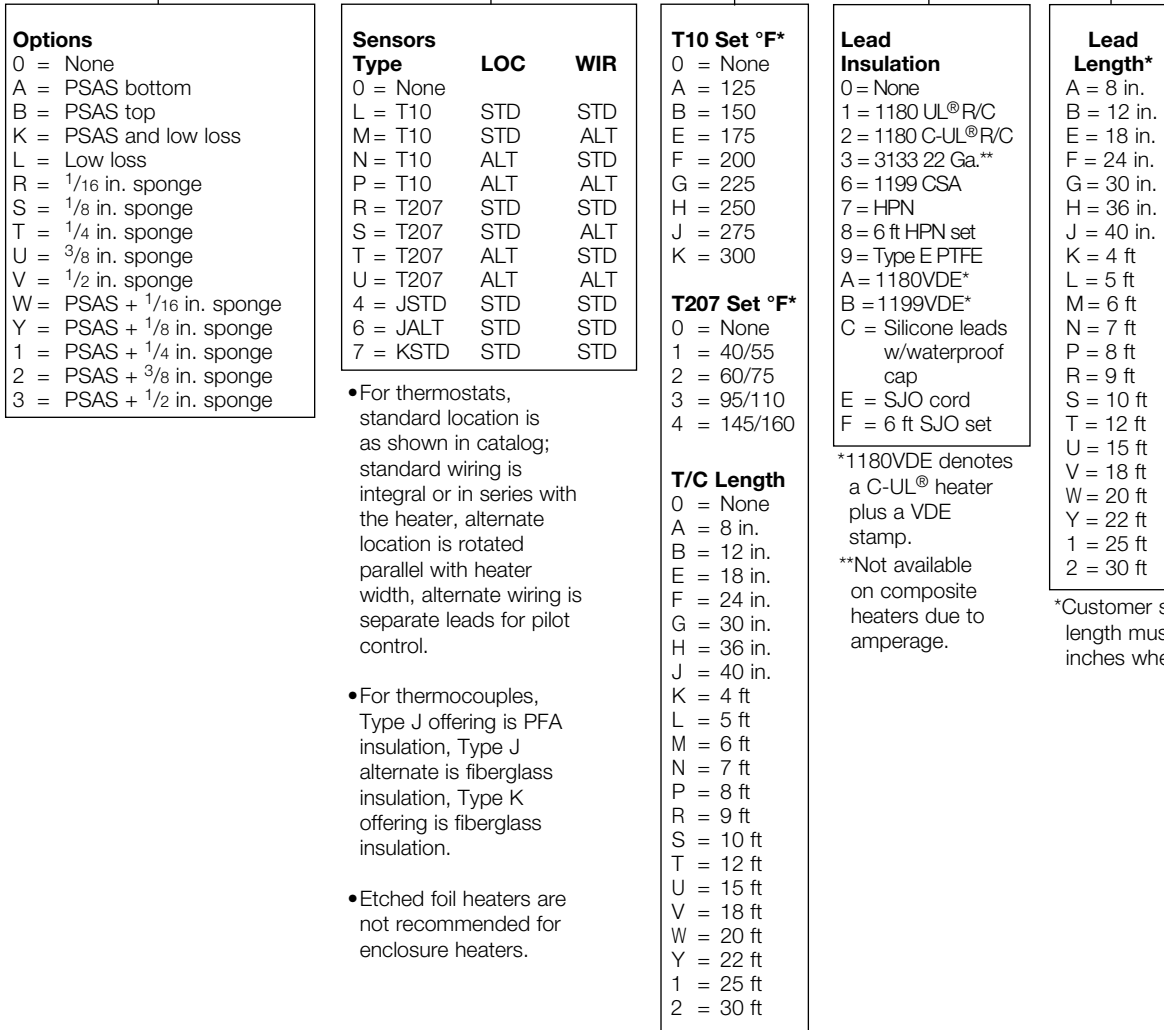
Flexible Heaters

Silicone Rubber Heaters

Etched Foil Elements – RAPID SHIP Offering Coding Configured Options

To order, complete the part number with the information below:

Etched Foil
F0 -



* For all thermostats, the heater must be a 2 in. min. width and a 5 in. min. length.

Flexible Heaters

Silicone Rubber Heaters

Composite Bonding Applications

Watlow offers silicone rubber heaters commonly used for composite bonding and curing. The design includes equal length circuits and a no-heat tab for temperature uniformity. The contact surface is made using smooth silicone to prevent composite surface imperfections. The heaters are fiberglass reinforced to provide lasting field service durability and life.

Performance Capabilities

- Watt density up to 5 W/in² (0.8 W/cm²)
- Voltage of 120VAC/240VAC (option) single phase
- UL[®] recognized

Features and Benefits

Customized leads

- Allows up to 30 feet of lead length

Field service ease

- Enables on-site repairs

Equal length circuits — min. 2 x 2 in. (51 x 51 mm) tab with radius

- Creates temperature uniformity

Smooth contact surface

- Prevents composite surface imperfections

Typical Applications

- Aerospace industry
 - Repair
 - Fabrication
- Composite bonding processes



Flexible Heaters

Silicone Rubber Heaters

Wire-Wound Elements – Composite Bonding Applications

Composite Heaters “L”

Width		Length		Watts	120VAC	120/240VAC
in.	(mm)	in.	(mm)		Part Number	Part Number
6	(152)	6	(152)	180	L060080C1	
		6	(152)	180		L060080C2
		10	(254)	300	L060120C1	
		10	(254)	300		L060120C2
8	(203)	8	(203)	320	L080100C1	
		8	(203)	320		L080100C2
		12	(305)	480	L080140C1	
		12	(305)	480		L080140C2
10	(254)	10	(254)	500	L100120C1	
		10	(254)	500		L100120C2
		12	(305)	600	L100140C1	
		12	(305)	600		L100140C2
		18	(457)	900	L100200C1**	
		18	(457)	900		L100200C2
12	(305)	12	(305)	720	L120140C1**	
		12	(305)	720		L120140C2
		18	(457)	1080	L120200C1**	
		18	(457)	1080		L120200C2**
		24	(610)	1440	L120260C1**	
24	(610)	1440		L120260C2**		
16	(406)	16	(406)	1280	L160180C1**	
		16	(406)	1280		L160180C2**
18	(457)	18	(457)	1620	L180200C1**	
		18	(457)	1620		L180200C2**
20	(508)	20	(508)	2000	L200220C1*	
		20	(508)	2000		L200220C2**

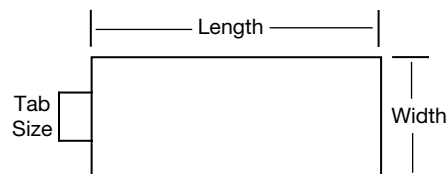
• **M** - Manufacturing lead times

Notes:

- Thickness 0.055 in. (1.4 mm)
- Lead length 12 in. (305 mm) UL® 1180 PTFE
- UL® component recognition
- Silicone rubber wire-wound elements rated at 5 W/in²
- Length does not include 2 in. (51 mm) tab for leads
- Smooth surface

* **Thermostat option is not available for this heater.**

** **Only T207 thermostat option is available.**



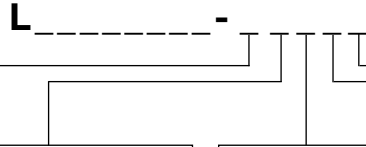
Flexible Heaters

Silicone Rubber Heaters

Etched Foil Elements — Coding Configured Options Composite Heaters “L”

To order, complete the part number with the information below:

Composite Flexible Stock Heaters



Modification Options
0 = None
A = PSAS bottom
B = PSAS top
K = PSAS and low loss
L = Low loss
R = 1/16 in. sponge
S = 1/8 in. sponge
T = 1/4 in. sponge
U = 3/8 in. sponge
V = 1/2 in. sponge
W = PSAS + 1/16 in. sponge
Y = PSAS + 1/8 in. sponge
1 = PSAS + 1/4 in. sponge
2 = PSAS + 3/8 in. sponge
3 = PSAS + 1/2 in. sponge

Sensors	LOC	WIR
Type 0 = None		
L = T10	STD	STD
M = T10	STD	ALT
N = T10	ALT	STD
P = T10	ALT	ALT
R = T207	STD	STD
S = T207	STD	ALT
T = T207	ALT	STD
U = T207	ALT	ALT
4 = JSTD	STD	STD
6 = JALT	STD	STD
7 = KSTD	STD	ST

- For thermostats, standard location is as shown in catalog; standard wiring is integral or in series with the heater, alternate location is rotated parallel with heater width, alternate wiring is separate leads for pilot control.

- For thermocouples, Type J offering is PFA insulation, Type J alternate is fiberglass insulation, Type K offering is fiberglass insulation.

- Etched foil heaters are not recommended for enclosure heaters.

T10 Set °F*
0 = None
A = 125
B = 150
E = 175
F = 200
G = 225
H = 250
J = 275
K = 300

T207 Set °F*
0 = None
1 = 40/55
2 = 60/75
3 = 95/110
4 = 145/160

T/C Length
0 = None
A = 8 in.
B = 12 in.
E = 18 in.
F = 24 in.
G = 30 in.
H = 36 in.
J = 40 in.
K = 4 ft
L = 5 ft
M = 6 ft
N = 7 ft
P = 8 ft
R = 9 ft
S = 10 ft
T = 12 ft
U = 15 ft
V = 18 ft
W = 20 ft
Y = 22 ft
1 = 25 ft
2 = 30 ft

Lead Insulation
0 = None
1 = 1180 UL®R/C
2 = 1180 C-UL®R/C
3 = 3133 22 Ga.**
6 = 1199 CSA
7 = HPN
8 = 6 ft HPN set
9 = Type E PTFE
A = 1180VDE*
B = 1199VDE*
C = Silicone leads w/waterproof cap
E = SJO cord
F = 6 ft SJO set

* 1180VDE denotes a cUR® heater plus a VDE stamp.

**Not available on composite heaters due to amperage.

Lead Length*
A = 8 in.
B = 12 in.
E = 18 in.
F = 24 in.
G = 30 in.
H = 36 in.
J = 40 in.
K = 4 ft
L = 5 ft
M = 6 ft
N = 7 ft
P = 8 ft
R = 9 ft
S = 10 ft
T = 12 ft
U = 15 ft
V = 18 ft
W = 20 ft
Y = 22 ft
1 = 25 ft
2 = 30 ft

* Customer specified length must be noted in inches when ordering.

Flexible Heaters

Line Heating

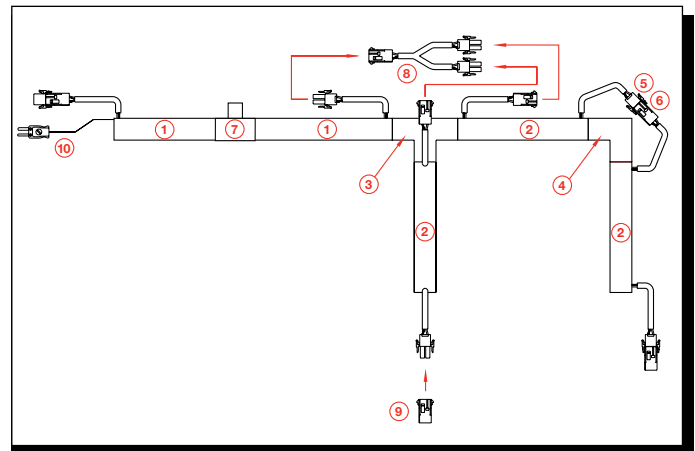
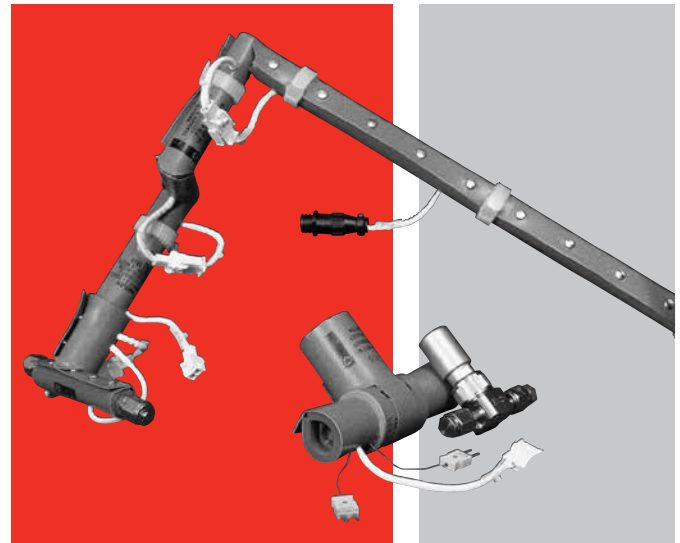
Modular Gas Line Heaters

Gas Delivery

Tetraethyl orthosilicate (TEOS), boron trichloride (BCl_3), aluminum chloride (AlCl_3), chlorine trifluoride (ClF_3) and dichlorosilane (DCS) are gases that condense or liquefy due to a phase shift at low temperatures. In semiconductor processes, condensation occurs in the gas line and puddles in the shower head before being injected into the vacuum chamber. A substantial number of wafer defects will occur if liquefied gases are injected into the vacuum chamber. Uniform heating of the lines will prevent condensation. TEOS lines are typically heated above 194°F (90°C) and BCl_3 above 86°F (30°C), depending on pressure and flow rate. The optimum line temperature will vary depending on the process parameters.

Specifications

- Watt density of 2.5 W/in² (0.4 W/cm²) on gas line O.D.
- UL[®] recognized for U.S. and Canadian safety standards
- Heaters and insulators meet UL[®] 94-HB flammability requirements
- Insulated straight fillers for 100 percent line coverage; elbows and tees are trim-to-fit to proper length
- I.D. available: 1/4, 3/8, 1/2, 3/4 in. (6, 9.5, 13, 19 mm)
- 120V standard, other voltages available
- Small metal snaps
- Heaters are insulated with a 3/8 in. (9.5 mm) wall, silicone rubber, closed cell sponge



Upstream Gas Line Heater Assembly (Example)

- ① 9 in. (229 mm) heater with thermocouple. Heater leads have a male plug on one end and a female cap on the other end. Heater materials are UL[®] rated to 392°F (200°C)
- ② 6 in. (152 mm) heater, heater leads, see 1
- ③ Union tee insulator
- ④ 90° union elbow insulator
- ⑤ Male plug, AMP MATE-N-LOK[™] connector part number 1-480698-0; with sockets AMP MATE-N-LOK[™] connector part number 350689-1
- ⑥ Female cap, AMP MATE-N-LOK[™] connector part number 1-480699-0; with pins AMP MATE-N-LOK[™] connector part number 350690-1
- ⑦ Valve or regulator
- ⑧ Y connector: one female cap on one end, two male plugs on the other end
- ⑨ Dead plug (sealed)
- ⑩ Type J thermocouple w/ male mini-plug (optional)

Flexible Heaters

Line Heating

Modular Gas Line Heaters (Continued)

Gas Line Diameter

1/4 in. (6 mm) O.D. Tubing

1/4 in. (6 mm) Heater I.D. x Length in. (mm)	Description	Volts	Watts	Amperes	Part Number		
					Without T/C	With Type J T/C	With Type K T/C
6 (152)	Heated straight	120	12	0.10	008060C1	008060C1A	008060C1K
9 (229)	Heated straight	120	18	0.15	008090C1	008090C1A	008090C1K
12 (305)	Heated straight	120	24	0.20	008120C1	008120C1A	008120C1K
18 (457)	Heated straight	120	36	0.30	008180C1	008180C1A	008180C1K
24 (610)	Heated straight	120	48	0.40	008240C1	008240C1A	008240C1K
36 (914)	Heated straight	120	72	0.60	008360C1	008360C1A	008360C1K
18 (457)	Straight insulator	N/A	Trim-to-fit	Insulator	008180C0		
* Elbow	90° union elbow insulator	N/A	Trim-to-fit	Insulator	008020C0		
* Tee	Union tee insulator	N/A	Trim-to-fit	Insulator	008030C0		

3/8 in. (10 mm) O.D. Tubing

3/8 in. (10 mm) Heater I.D. x Length in. (mm)	Description	Volts	Watts	Amperes	Part Number		
					Without T/C	With Type J T/C	With Type K T/C
6 (152)	Heated straight	120	18	0.15	012060C1	012060C1A	012060C1K
9 (229)	Heated straight	120	27	0.23	012090C1	012090C1A	012090C1K
12 (305)	Heated straight	120	36	0.30	012120C1	012120C1A	012120C1K
18 (457)	Heated straight	120	54	0.45	012180C1	012180C1A	012180C1K
24 (610)	Heated straight	120	71	0.60	012240C1	012240C1A	012240C1K
36 (914)	Heated straight	120	107	0.90	012360C1	012360C1A	012360C1K
18 (457)	Straight insulator	N/A	Trim-to-fit	Insulator	012180C0		
* Elbow	90° union elbow insulator	N/A	Trim-to-fit	Insulator	012020C0		
* Tee	Union tee insulator	N/A	Trim-to-fit	Insulator	012030C0		

1/2 in. (13 mm) O.D. Tubing

1/2 in. (13 mm) Heater I.D. x Length in. (mm)	Description	Volts	Watts	Amperes	Part Number		
					Without T/C	With Type J T/C	With Type K T/C
6 (152)	Heated straight	120	24	0.20	016060C1	016060C1A	016060C1K
9 (229)	Heated straight	120	36	0.30	016090C1	016090C1A	016090C1K
12 (305)	Heated straight	120	48	0.40	016120C1	016120C1A	016120C1K
18 (457)	Heated straight	120	72	0.60	016180C1	016180C1A	016180C1K
24 (610)	Heated straight	120	96	0.80	016240C1	016240C1A	016240C1K
36 (914)	Heated straight	120	144	1.20	016360C1	016360C1A	016360C1K
18 (457)	Straight insulator	N/A	Trim-to-fit	Insulator	016180C0		
* Elbow	90° union elbow insulator	N/A	Trim-to-fit	Insulator	016020C0		
* Tee	Union tee insulator	N/A	Trim-to-fit	Insulator	016030C0		

• M - Manufacturing lead times

* For use on Micro-Fit® weld fittings.

Flexible Heaters

Line Heating

Modular Gas Line Heaters (Continued)

Gas Line Diameter

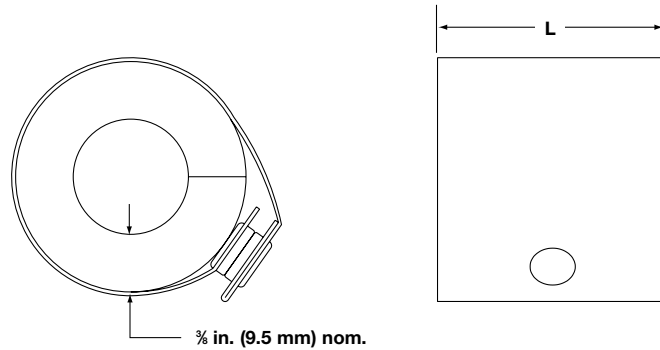
3/4 in. (19 mm) O.D. Tubing

3/4 in. (19 mm) Heater I.D. x Length in. (mm)	Description	Volts	Watts	Amperes	Part Number		
					Without T/C	With Type J T/C	With Type K T/C
6 (152)	Heated straight	120	36	0.30	024060C1	024060C1A	024060C1K
9 (229)	Heated straight	120	54	0.45	024090C1	024090C1A	024090C1K
12 (305)	Heated straight	120	71	0.60	024120C1	024120C1A	024120C1K
18 (457)	Heated straight	120	107	0.90	024180C1	024180C1A	024180C1K
24 (610)	Heated straight	120	142	1.19	024240C1	024240C1A	024240C1K
36 (914)	Heated straight	120	213	1.78	024360C1	024360C1A	024360C1K
18 (457)	Straight insulator	N/A	Trim-to-fit	Insulator	024180C0		
* Elbow	90° union elbow insulator	N/A	Trim-to-fit	Insulator	024020C0		
* Tee	Union tee insulator	N/A	Trim-to-fit	Insulator	024030C0		

• **M** - Manufacturing lead times

* For use on Micro-Fit® weld fittings.

VCR Union Heaters/Insulators



1/4 in. (6 mm) Heater I.D. x Length in. (mm)	Description	Volts	Watts	Amperes	Part Number		
					Without T/C	With Type J T/C	With Type K T/C
7/8 x 1 3/4 (22 x 45)	1/4 in. (6 mm) VCR union heater	120	10	0.09	01702783	01702783A	01702783K
3/4 x 1 1/2 (19 x 38)	1/4 in. (6 mm) VCR union insulator	N/A	N/A	N/A	02401580	N/A	N/A
1 1/4 x 1 1/2 (32 x 38)	1/2 in. (13 mm) VCR union heater	120	12	0.10	03901581	03901581A	03901581K
1 1/4 x 1 1/2 (32 x 38)	1/2 in. (13 mm) VCR union insulator	N/A	N/A	N/A	03901580	N/A	N/A

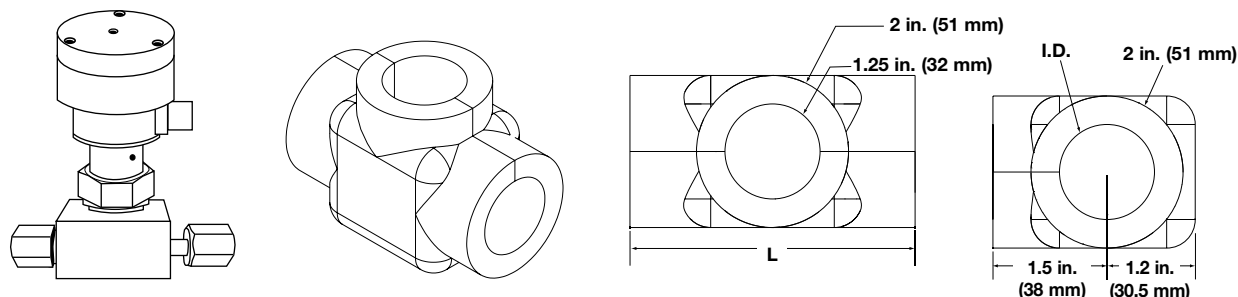
• **M** - Manufacturing lead times

Flexible Heaters

Line Heating

Modular Gas Line Heaters (Continued)

VCR Valve Heaters



Tube Diameter in. (mm)	I.D. in. (mm)	Fitting Type	Length in. (mm)	Watts	Amperes @ 120V	Part Number
1/4 (6)	7/8 (22)	Male VCR valve heater	3.00 (76)	18	0.15	03104786
1/4 (6)	7/8 (22)	Female VCR valve heater	4.75 (121)	28	0.24	04704893
1/2 (13)	1 1/4 (32)	Male VCR valve heater	3.75 (95)	27	0.23	03804782
1/2 (13)	1 1/4 (32)	Female VCR valve heater	6.51 (165)	47	0.39	04706690

• **M** - Manufacturing lead times

Note: Heaters fit Nupro® BN and BK series valves.

Accessories

Part	Description	Part Number
Y connector*	Power splitter: 1 female, 2 male	Z5303-2
Y connector*	Power splitter: 2 female, 1 male	Z6333
Female dead plug*	Insulating plug for last connector in chain	Z5309-2
Male dead plug*	Insulating plug for last connector in chain	Z6332
Type J thermocouple	12 in. (305 mm) 24 Ga. Type J PFA with mini plug	Z5786
Type J thermocouple extension	10 ft (3048 mm) Type K FEP thermocouple with mini plug and mini jack	Z6271
Type K thermocouple	12 in. (305 mm) 24 Ga. Type K TFE tape with mini plug	Z5639
Adapter*	Female to male	Z6334
Adapter*	Male to female	Z6335
Power extension*	6 in. (152 mm)	Z6374
Power extension*	3 ft (914 mm)	A000136
Power extension*	6 ft (1829 mm)	A000137
Power extension*	10 ft (3048 mm)	A000138
Strap extension	1 in. (25 mm) long pump line strap extension	010010116
Strap extension	2 in. (51 mm) long pump line strap extension	010020113
Strap extension	3 in. (76 mm) long pump line strap extension	010030124

*All connectors use AMP MATE-N-LOK™ connectors.

- Y-adapters and dead plugs
- Sensor pocket thermocouple: 12 in. (305 mm) long, Type J or K, #24 AWG
- Two-prong mini-plug connector

Flexible Heaters

Line Heating

STRETCH-TO-LENGTH® Heaters

During semiconductor processes, condensation of many critical gases occurs due to a phase shift at low temperatures. Burning of gases occurs if the delivery line is too hot. High or low temperature conditions may result in undesirable particulates, costly device defects and tool maintenance.

The Watlow STRETCH-TO-LENGTH® (S-T-L) gas line heater system is an easy-to-assemble temperature solution that delivers superior performance compared to heat tape. The heater's preformed construction allows an engineer to easily wrap it around the delivery line. It provides consistent heater/gas line contact to improve temperature uniformity. Due to its flexibility, the S-T-L gas line heater can compensate for variable component sizes to reduce the potential for hot and cold spots.

The S-T-L system includes a 2 W/in² S-T-L heater and silicone foam rubber insulation.

Features and Benefits

Easy to install two-part system

- Conveniently fits most gas line configurations

Flexible heater design

- Easily customize the thermal profile for each gas line application
- Allows quick prototyping to determine energy distribution requirements for process improvements

Flexible standard system components

- Eliminates unnecessary lead times for custom designs

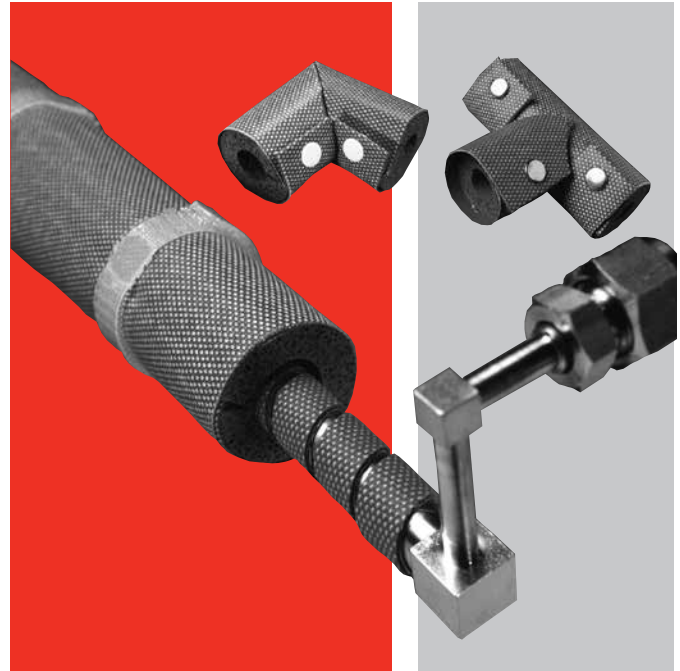
Agency Certification, Recognition Compliance and Approvals

- Semi S2-93 compatible with a high-limit thermocouple and controller
- UL® recognized for U.S. safety standards

Typical Applications

Gas delivery lines

- Boron trichloride, BCl₃
- Chlorine trifluoride, ClF₃
- Dichlorosilane, (DCS), SiH₂Cl₂
- Tetra ethyl orthosilicate, TEOS
- Tungsten hexafluoride, WF₆
- Process gas line qualification



Specifications

- Heater material is reinforced silicone rubber fabric
 - Color:
 - Insulation and outer jacket – orange
 - Heater – orange
- Clean room strap fasteners
- Voltage: 120 and 240VAC
- Max. operating temperature: 392°F (200°C)
- Heater watt density: 2 W/in² (0.31 W/cm²) – Watlow recommends 80% line wrap for optimum performance
- Power lead wires: 12 in. (305 mm); #18 AWG UL® 1180 CSA, rated 10A, lead wire pair encapsulated in reinforced silicone rubber sleeving
- Heater interconnectable up to a 10A circuit
- Material rated UL® 94-HB
- Heater materials are UL® rated to 392°F (200°C)
- Insulation:
 - 3/8 in. (9.5 mm) wall, silicone rubber, closed cell sponge
 - Jacket material is reinforced silicone rubber fabric

Flexible Heaters

Line Heating

STRETCH-TO-LENGTH Heaters (Continued)

S-T-L heaters are specified by their straight length. For actual applications, an engineer can wrap the heaters to achieve an optimum temperature profile. Coverage lengths of approximately 60 and 80 percent on ¼ in. (6 mm) and ½ in. (13 mm) diameter tubes are provided

as a guide to select heater lengths for actual gas line dimensions. A gas line with 100 percent coverage is approximately 2 W/in², 80 percent coverage 1.6 W/in² or 60 percent coverage 1.2 W/in².

S-T-L Heater Ranges - ¼ in. (6 mm) O.D. Tubing

0.25 60% Coverage	0.25 80% Coverage	120V Version Part Number	Amperes	240V Version Part Number	Amperes
10.20	8.04	005120500 ^①	0.10	N/A	N/A
14.45	11.39	005170500 ^②	0.14	N/A	N/A
18.70	14.74	005220500 ^②	0.18	005220501 ^①	0.09
23.80	18.76	005280500 ^①	0.23	005280501 ^①	0.12
30.60	24.12	005360500 ^②	0.30	005360501 ^①	0.15
39.95	31.49	005470500 ^②	0.39	005470501 ^①	0.20
51.00	40.20	005600502 ^②	0.50	005600503 ^①	0.25
63.75	50.25	005750500 ^②	0.63	005750501 ^①	0.31
76.50	60.30	005900500 ^②	0.75	005900501 ^①	0.38

S-T-L Heater Ranges - ½ in. (13 mm) O.D. Tubing

0.50 60% Coverage	0.50 80% Coverage	120V Version Part Number	Amperes	240V Version Part Number	Amperes
10.20	6.63	005170501 ^②	0.14	N/A	N/A
15.00	9.75	005250501 ^②	0.21	N/A	N/A
21.00	13.65	005350502 ^②	0.29	005350503 ^①	0.15
29.40	19.11	005490502 ^②	0.41	005490503 ^②	0.20
38.40	24.96	005640502 ^②	0.53	005640503 ^①	0.27
47.40	30.81	005790502 ^②	0.66	005790503 ^①	0.33
59.40	38.61	005990502 ^②	0.82	005990503 ^②	0.41
73.80	49.97	005F103502 ^②	1.02	005F103503 ^②	0.51
92.40	60.06	005F128502 ^②	1.28	005F128503 ^②	0.64

¼ in. (6 mm) O.D. Tubing Insulators

¼ in. (6 mm) Heater I.D. x Length	Description	Part Number
18 in. (457 mm)	Straight insulator	012180500 ^①
36 in. (914 mm)	Straight insulator	012360500 ^①
Elbow	90° union elbow insulator	012020500 ^①
Tee	Union tee insulator	012030500 ^①
VCR	VCR fitting	015030500 ^①

½ in. (13 mm) O.D. Tubing Insulators

½ in. (13 mm) Heater I.D. x Length	Description	Part Number
18 in. (457 mm)	Straight insulator	024180500 ^①
36 in. (914 mm)	Straight insulator	024360500 ^①
Elbow	90° union elbow insulator	020024500 ^①
Tee	Union tee insulator	024030500 ^①
VCR	VCR fitting	015042500 ^①

¾ in. (9.5 mm) O.D. Tubing Insulators

¾ in. (9.5 mm) Heater I.D. x Length	Description	Part Number
18 in. (457 mm)	Straight insulator	016180500 ^①
36 in. (914 mm)	Straight insulator	016360500 ^①
Elbow	90° union elbow insulator	016020500 ^②
Tee	Union tee insulator	016030501 ^②
VCR	VCR fitting	015042500 ^①

RAPID SHIP

- ① - Next day shipment up to 10 pieces depending on part number
- ② - Manufacturing lead times

Flexible Heaters

Line Heating

STRETCH-TO-LENGTH Heaters (Continued)

Extensions

Description	Part Number
3 ft (914 mm)	A000136
6 ft (1829 mm)	A000137
10 ft (3048 mm)	A000138

Accessories

Description	Part Number
Power cord 6 ft 18-2 SJ	Z5302-2
Wiring Y connector – 1F-2M	Z5303-2
Wiring Y connector – 1M-2F	Z6333
Female termination plug	Z5309-2
Male termination plug	Z6332
12 in. 24 Ga. Type J T/C w/mini plug	Z5786
12 in. 24 Ga. Type K T/C w/mini plug	Z5639
Gender changer – M-F	Z6334
Gender changer – F-M	Z6335
6 in. power extension	Z6374
10 ft Type J T/C extension	Z6271

Note: All power connectors use AMP MATE-N-LOK™

Flexible Heaters

Line Heating

Modular Pump Line Heaters

The tight contact fit of Watlow's pump line heaters provide superior, uniform heating of transfer lines.

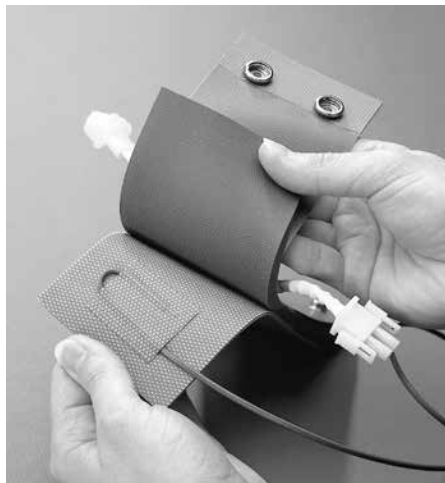
Agency Certification, Recognition Compliance and Approvals

- Complies with SEMI S2-93 standards
- UL® recognized for U.S. and Canadian safety standards
- CE, VDE
- National Electrical Code (NEC), Article #427-23
- UL® Listed available

Contact your Watlow representative for specific applications and approvals.

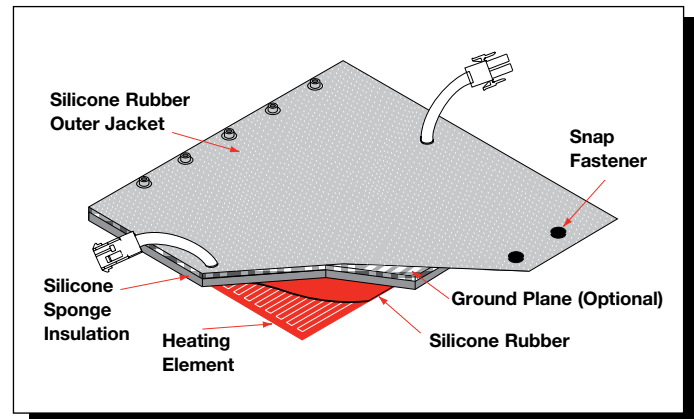
General Specifications

- The heater and jacket material are constructed using reinforced silicone rubber fabric.
- Insulation and outer jacket are gray. The heater is red-orange in color.



Sensor Pocket Built-in to all Straight Length Heaters 3 in. (76 mm) Long and Greater; One Per Heater

- Snap type fasteners are ½ in. (13 mm) with a nominal diameter metal construction and a nylon cover. The maximum operating temperature is 392°F (200°C).
- Hook and latch fasteners are available.
- 120 and 208VAC are standard. Contact your Watlow representative for other voltages.
- Power lead wires are 3 in. (76 mm) #18 AWG UL® 1180/CSA PTFE insulated and rated 10A. The lead wire pair is encapsulated in reinforced silicone rubber sleeving.
- Heaters are interconnectable up to a 10A circuit.
- Low watt density:
 - 1.5-2 in. (38-51 mm) diameter, 1.5 W/in² (0.23 W/cm²)
 - 3-4 in. (76-102 mm) diameter, 1.25 W/in² (0.19 W/cm²)



Flexible Heaters

Line Heating

Modular Pump Line Heaters (Continued)

Tube O.D.		Length "L"		Watts	Amperes @ 120V	Amperes @ 208V	Features	Base Part Number*
in.	(mm)	in.	(mm)					
1.5	(38)	2	(51)	15	0.13	0.08	—	020050A
1.5	(38)	2T	(51T)	8	0.07	N/A	Trim-to-fit	020050T
1.5	(38)	3	(76)	22	0.19	0.11	Sensor pocket	030050A
1.5	(38)	3T	(76T)	15	0.13	0.08	Trim-to-fit	030050T
1.5	(38)	4	(102)	29	0.25	0.14	Sensor pocket	040050A
1.5	(38)	4T	(102T)	22	0.19	0.11	Trim-to-fit	040050T
1.5	(38)	5	(127)	36	0.30	0.18	Sensor pocket	050050A
1.5	(38)	5T	(127T)	29	0.25	0.14	Trim-to-fit	050050T
1.5	(38)	6	(152)	43	0.36	0.21	Sensor pocket	050060A
1.5	(38)	6T	(152T)	36	0.30	0.17	Trim-to-fit	050060T
1.5	(38)	7	(178)	50	0.42	0.24	Sensor pocket	050070A
1.5	(38)	8	(203)	57	0.48	0.27	Sensor pocket	050080A
1.5	(38)	9	(229)	64	0.53	0.31	Sensor pocket	050090A
1.5	(38)	10	(254)	71	0.59	0.34	Sensor pocket	050100A
1.5	(38)	12	(305)	85	0.71	0.41	Sensor pocket	050120A
1.5	(38)	18	(457)	128	1.07	0.62	Sensor pocket	050180A
1.5	(38)	24	(610)	170	1.42	0.82	Sensor pocket	050240A
1.5	(38)	30	(762)	213	1.78	1.03	Sensor pocket	050300A
1.5	(38)	36	(914)	255	2.13	1.23	Sensor pocket	050360A
1.5	(38)	36	(914)	Insulator	N/A	N/A	—	050360B
2.0	(51)	2	(51)	19	0.16	0.10	—	020066A
2.0	(51)	2T	(51T)	10	0.09	N/A	Trim-to-fit	020066T
2.0	(51)	3	(76)	29	0.25	0.14	Sensor pocket	030066A
2.0	(51)	3T	(76T)	19	0.16	0.10	Trim-to-fit	030066T
2.0	(51)	4	(102)	38	0.32	0.19	Sensor pocket	040066A
2.0	(51)	4T	(102T)	29	0.25	0.14	Trim-to-fit	040066T
2.0	(51)	5	(127)	48	0.40	0.24	Sensor pocket	050066A
2.0	(51)	5T	(127T)	38	0.32	0.19	Trim-to-fit	050066T
2.0	(51)	6	(152)	57	0.48	0.28	Sensor pocket	060066A
2.0	(51)	6T	(152T)	47	0.39	0.23	Trim-to-fit	060066T
2.0	(51)	7	(178)	66	0.55	0.32	Sensor pocket	066070A
2.0	(51)	8	(203)	76	0.63	0.37	Sensor pocket	066080A
2.0	(51)	9	(229)	85	0.71	0.41	Sensor pocket	066090A

CONTINUED

• M - Manufacturing lead times

*To complete the part number, please reference the *Ordering Information* on page 147.

Flexible Heaters

Line Heating

Modular Pump Line Heaters (Continued)

Tube O.D.		Length "L"		Watts	Amperes @ 120V	Amperes @ 208V	Features	Base Part Number*
in.	(mm)	in.	(mm)					
2.0	(51)	10	(254)	95	0.79	0.46	Sensor pocket	066100A
2.0	(51)	12	(305)	114	0.95	0.55	Sensor pocket	066120A
2.0	(51)	18	(457)	170	1.42	0.82	Sensor pocket	066180A
2.0	(51)	24	(610)	227	1.90	1.10	Sensor pocket	066240A
2.0	(51)	30	(762)	283	2.36	1.37	Sensor pocket	066300A
2.0	(51)	36	(914)	340	2.84	1.64	Sensor pocket	066360A
2.0	(51)	36	(914)	Insulator	N/A	N/A	—	066360B
3	(76)	2	(51)	24	0.20	0.12	—	020096A
3	(76)	2T	(51T)	12	0.10	0.06	Trim-to-fit	020096T
3	(76)	3	(76)	36	0.30	0.18	Sensor pocket	030096A
3	(76)	3T	(76T)	24	0.20	0.12	Trim-to-fit	030096T
3	(76)	4	(102)	48	0.40	0.24	Sensor pocket	040096A
3	(76)	4T	(102T)	36	0.30	0.18	Trim-to-fit	040096T
3	(76)	5	(127)	59	0.50	0.29	Sensor pocket	050096A
3	(76)	5T	(127T)	48	0.40	0.24	Trim-to-fit	050096T
3	(76)	6	(152)	71	0.60	0.35	Sensor pocket	060096A
3	(76)	6T	(152T)	59	0.49	0.28	Trim-to-fit	060096T
3	(76)	7	(178)	83	0.69	0.4	Sensor pocket	070096A
3	(76)	8	(203)	95	0.79	0.46	Sensor pocket	080096A
3	(76)	9	(229)	106	0.88	0.51	Sensor pocket	090096A
3	(76)	10	(254)	118	0.98	0.57	Sensor pocket	096100A
3	(76)	12	(305)	142	1.19	0.69	Sensor pocket	096120A
3	(76)	18	(457)	213	1.78	1.03	Sensor pocket	096180A
3	(76)	24	(610)	283	2.36	1.37	Sensor pocket	096240A
3	(76)	30	(762)	354	2.95	1.71	Sensor pocket	096300A
3	(76)	36	(914)	425	3.55	2.05	Sensor pocket	096360A
3	(76)	36	(914)	Insulator	N/A	N/A	—	096360B

CONTINUED

• **M** - Manufacturing lead times

*To complete the part number, please reference the *Ordering Information* on page 147.

Flexible Heaters

Line Heating

Modular Pump Line Heaters (Continued)

Tube O.D.		Length "L"		Watts	Amperes @ 120V	Amperes @ 208V	Features	Base Part Number*
in.	(mm)	in.	(mm)					
4	(102)	2	(51)	32	0.27	0.16	—	020128A
4	(102)	2T	(51T)	16	0.14	0.08	Trim-to-fit	020128T
4	(102)	3	(76)	48	0.40	0.24	Sensor pocket	030128A
4	(102)	3T	(76T)	32	0.27	0.16	Trim-to-fit	030128T
4	(102)	4	(102)	63	0.53	0.31	Sensor pocket	040128A
4	(102)	4T	(102T)	48	0.40	0.24	Trim-to-fit	040128T
4	(102)	5	(127)	79	0.66	0.38	Sensor pocket	050128A
4	(102)	5T	(127T)	63	0.53	0.31	Trim-to-fit	050128T
4	(102)	6	(152)	95	0.80	0.46	Sensor pocket	060128A
4	(102)	6T	(152T)	79	0.66	0.38	Trim-to-fit	060128T
4	(102)	7	(178)	110	0.92	0.53	Sensor pocket	070128A
4	(102)	8	(203)	126	1.05	0.61	Sensor pocket	080128A
4	(102)	9	(229)	142	1.18	0.68	Sensor pocket	090128A
4	(102)	10	(254)	157	1.31	0.75	Sensor pocket	100128A
4	(102)	12	(305)	189	1.58	0.91	Sensor pocket	120128A
4	(102)	18	(457)	283	2.36	1.37	Sensor pocket	128180A
4	(102)	24	(610)	377	3.15	1.82	Sensor pocket	128240A
4	(102)	30	(762)	472	3.94	2.27	Sensor pocket	128300A
4	(102)	36	(914)	566	4.72	2.73	Sensor pocket	128360A
4	(102)	36	(914)	Insulator	N/A	N/A	—	128360B

• **M** - Manufacturing lead times

*To complete the part number, please reference the *Ordering Information* on page 147.

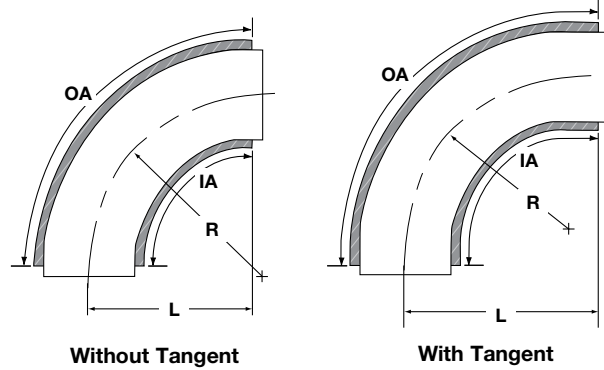
Flexible Heaters

Line Heating

Modular Pump Line Heaters (Continued)

90° Radius Elbow Heaters

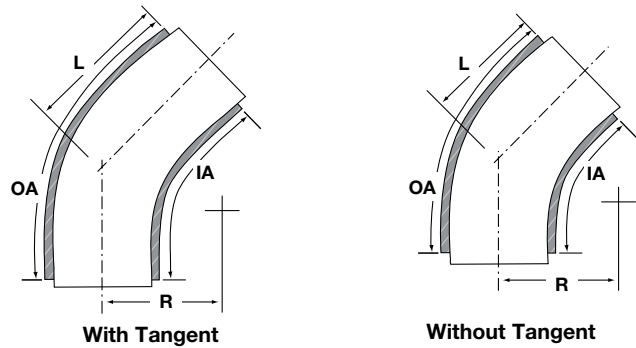
- 0.25 in. (6 mm) or 0.5 in. (13 mm) silicone rubber sponge insulation is available
- With or without tangents
- Will fit both butt-weld and flanged style tubing elbows



Tube O.D. in. (mm)	Length "L" in. (mm)	Radius (R) in. (mm)	Watts	Outer Arc Length (OA)	Inside Arc Length (IA)	Amperes @120V	Amperes @208V	Base Part Number*
1.5 (38)	2.00 (51.0)	2.25 (57)	26	4.21	1.85	0.22	0.13	042050A
1.5 (38)	2.68 (68.1)	2.25 (57)	36	5.58	3.22	0.30	0.18	050055A
2.0 (51)	2.75 (70.0)	3.00 (76)	45	5.78	2.64	0.38	0.22	057066A
2.0 (51)	3.81 (96.8)	3.00 (76)	65	7.91	4.77	0.55	0.32	066079A
3.0 (76)	4.00 (102.0)	4.50 (114)	84	8.42	3.71	0.70	0.41	089097A
3.0 (76)	5.81 (147.6)	4.50 (114)	127	12.05	7.33	1.06	0.62	097125A
4.0 (102)	5.50 (140.0)	6.00 (152)	149	11.56	5.28	1.25	0.72	116128A
4.0 (102)	7.81 (198.4)	6.00 (152)	222	16.18	9.00	1.85	1.07	128166A

45° Radius Elbow Heaters

- 0.25 in. (6.4 mm) or 0.5 in. (13 mm) silicone rubber sponge insulation is available
- With or without tangents
- Will fit both butt-weld and flanged style tubing elbows



Tube O.D. in. (mm)	Length "L" in. (mm)	Radius (R) in. (mm)	Watts	Outer Arc Length (OA)	Inside Arc Length (IA)	Amperes @120V	Amperes @208V	Base Part Number*
1.5 (38)	0.69 (17.5)	2.25 (57)	14	1.85	0.67	0.12	NA	018050A
1.5 (38)	1.38 (35.1)	2.25 (57)	23	3.23	2.04	0.20	0.12	032050A
2.0 (51)	1.00 (25.0)	3.00 (76)	23	2.64	1.07	0.20	0.12	026066A
2.0 (51)	2.06 (52.3)	3.00 (76)	44	4.77	3.20	0.37	0.22	047066A
3.0 (76)	1.37 (34.8)	4.50 (114)	43	3.71	1.35	0.36	0.21	042097A
3.0 (76)	3.18 (80.8)	4.50 (114)	85	7.33	4.97	0.71	0.41	078097A
4.0 (102)	2.00 (51.0)	6.00 (152)	75	5.28	2.14	0.63	0.37	057128A
4.0 (102)	4.31 (109.5)	6.00 (152)	148	9.90	6.76	1.24	0.72	104128A

• M - Manufacturing lead times

*To complete the part number, please reference the *Ordering Information* on page 147.

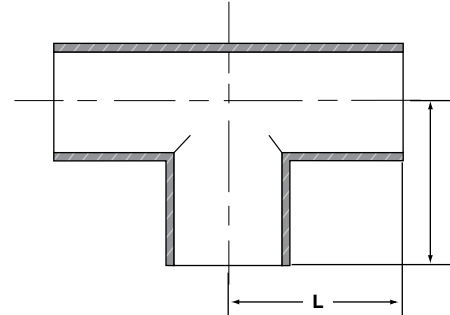
Flexible Heaters

Line Heating

Modular Pump Line Heaters (Continued)

Tee Section Heaters

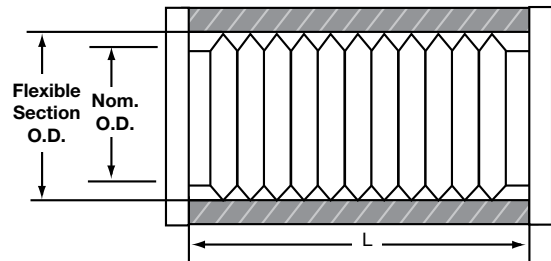
- 0.25 in. (6 mm) or 0.5 in. (13 mm) silicone rubber sponge insulation is available
- Will fit both butt-weld and flanged style tee sections



Tube O.D.		Length "L"		Watts	Amperes @120V	Amperes @208V	Base Part Number*
in.	(mm)	in.	(mm)				
1.5	(38)	2.00	(51)	38	0.32	0.19	047064A
2.0	(51)	2.75	(70)	69	0.58	0.34	062081A
3.0	(76)	3.00	(76)	89	0.75	0.43	095120A
4.0	(102)	3.63	(92)	140	1.17	0.69	125155A

Bellows Section Heaters

- 0.25 in. (6 mm) or 0.5 in. (13 mm) silicone rubber sponge insulation is available
- Will fit both butt-weld and flanged style flexible sections



Tube O.D.		Bellows Section O.D.		Length "L"		Watts	Amperes @120V	Amperes @208V	Base Part Number*
in.	(mm)	in.	(mm)	in.	(mm)				
1.5	(38)	1.92	(48.9)	3	(76)	26	0.22	0.13	030056A
1.5	(38)	1.92	(48.9)	3T	(76T)	18	0.15	0.09	030056T
1.5	(38)	1.92	(48.9)	6	(152)	51	0.43	0.25	056060A
1.5	(38)	1.92	(48.9)	6T	(152T)	44	0.37	0.21	056060T
2.0	(51)	2.47	(62.7)	3	(76)	34	0.29	0.17	030077A
2.0	(51)	2.47	(62.7)	3T	(76T)	24	0.2	0.12	030077T
2.0	(51)	2.47	(62.7)	6	(152)	68	0.57	0.33	060077A
2.0	(51)	2.47	(62.7)	6T	(152T)	59	0.49	0.28	060077T
3.0	(76)	3.77	(95.8)	3	(76)	44	0.37	0.22	030117A
3.0	(76)	3.77	(95.8)	3T	(76T)	30	0.25	0.14	030117T
3.0	(76)	3.77	(95.8)	6	(152)	88	0.74	0.43	060117A
3.0	(76)	3.77	(95.8)	6T	(152T)	74	0.62	0.36	060117T
3.0	(76)	3.77	(95.8)	12	(305)	175	1.46	0.85	117120A
4.0	(102)	4.75	(121.0)	3	(76)	56	0.47	0.27	030149A
4.0	(102)	4.75	(121.0)	3T	(76T)	38	0.32	0.18	030149T
4.0	(102)	4.75	(121.0)	6	(152)	111	0.93	0.54	060149A
4.0	(102)	4.75	(121.0)	6T	(152T)	94	0.78	0.45	060149T
4.0	(102)	4.75	(121.0)	12	(305)	222	1.85	1.07	120149A

• **M** - Manufacturing lead times

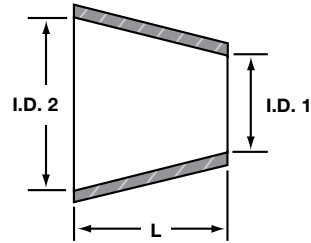
*To complete the part number, please reference the *Ordering Information* on page 147.

Flexible Heaters

Line Heating

Modular Pump Line Heaters (Continued)

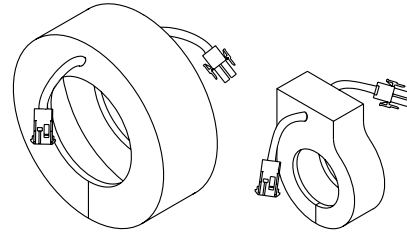
Reducers



Tube I.D. 2 to I.D. 1 in. (mm)	Length "L" in. (mm)	Watts	Amperes @120V	Amperes @208V	Base Part Number*
2 (51) to 1.5 (38)	1.38 (35.1)	12	0.10	0.06	020062A
3 (76) to 2.0 (51)	2.42 (61.5)	24	0.20	0.12	034090A
4 (102) to 2.0 (51)	2.63 (66.8)	31	0.26	0.15	044103A
4 (102) to 3.0 (76)	2.60 (66.0)	36	0.30	0.18	040121A

Flange Heaters

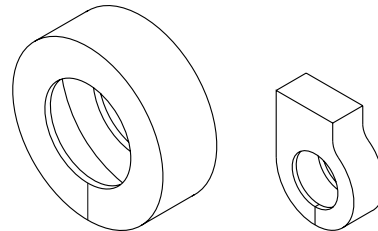
- 0.25 in. (6 mm) or 0.5 in. (13 mm) silicone rubber sponge insulation is available
- For both KF screw flanges and ISO clamp flanges



Tube O.D. in.	Nominal Tube O.D. in. (mm)	Watts @120V	Amperes @120V	Amperes @ 208V	Base Part Number*
KF-40	1.5 (38)	10	0.09	NA	035040A
KF-50	2.0 (51)	15	0.13	0.07	045050A
ISO-80	3.0 (76)	70	0.59	0.34	020176A
ISO-100	4.0 (102)	82	0.69	0.40	020204A
CF 2 ³ / ₄ in.	1.5 (38)	21	0.18	0.10	016089A

Flange Insulators

- 0.25 in. (6 mm) or 0.5 in. (13 mm) silicone rubber sponge insulation is available
- For both KF screw flanges and ISO clamp flanges



Tube O.D. in.	Nominal Tube O.D. in. (mm)	Base Part Number*
KF-40	1.50 (38)	035040B
KF-50	2.00 (51)	045050B
ISO-80	3.00 (76)	020176B
ISO-100	4.00 (102)	020204B
CF 1 ¹ / ₃ in.	0.75 (19)	010044B
CF 2 ³ / ₄ in.	1.50 (38)	016089B

• **M** - Manufacturing lead times

*To complete the part number, please reference the *Ordering Information* on page 147.

Flexible Heaters

Line Heating

Modular Pump Line Heaters (Continued)

Ordering Information

Part Number

①	②	③	④	⑤	⑥	⑦	⑧ ⑨	⑩	⑪	⑫	⑬	⑭
Base Code Nbr.	Base Code Nbr.	Base Code Nbr.	Base Code Nbr.	Base Code Nbr.	Base Code Nbr.	Base Code Nbr.	Heater Voltage	Insulation	Connectors	Sensors	Future Option	Future Option
X	X	X	X	X	X	X					0	0

① ② ③ ④ ⑤ ⑥ ⑦ Base Code Number

⑧ ⑨ Heater Voltage

CO =	Insulator
C1 =	120V
C4 =	208V

⑩ Insulation

A =	0.25 in. (6 mm) insulation w/UL® 94-HB jacket
B =	0.5 in. (13 mm) insulation w/UL® 94V-0 jacket
C =	0.25 in. (6 mm) insulation w/UL® 94-HB jacket and ground grid
D =	0.5 in. (13 mm) insulation w/UL® 94V-0 jacket and ground grid

⑪ Connectors

0 =	None (Zero)
A =	AMP Universal MATE-N-LOK™ connector
B =	AMP CPC connector

⑫ Sensors

0 =	None
A =	Thermal fuse 378°F (192°C)
B =	Type J thermocouple
C =	Type K thermocouple
D =	Thermal fuse + Type J thermocouple
E =	Thermal fuse + Type K thermocouple

⑬ Future Option

0 =	None (Zero)
-----	-------------

⑭ Future Option

0 =	None (Letter O)
-----	-----------------

Note: All options are not available for every base part number.

Description	CE	SEMI S2-93	UL® Listing	NEC	VDE
0.25 in. (6 mm) insulation w/HOT marking	x	x	x		x
0.5 in. (13 mm) insulation	o	o	o		o
Ground grid	o	o	o	x	o
AMP MATE-N-LOK™ connectors ①	x	x	x		x
AMP CPC connectors ②	o	o	o		o
Jacket w/UL® 94V-0 rating	o	o	o		o
Jacket w/UL® 94-HB rating	x	x	x		x
Thermal cut-off	o	x	x		o

x = Min. requirements

o = Optional features

① Male plug: AMP p/n 1-480698-0, w/sockets AMP p/n 350689-1.
Female cap: AMP p/n 1-480699-0, w/pins AMP p/n 350690-1.

② Plug: AMP p/n 206060-1, w/socket AMP p/n 66101-3.

Receptacle: AMP p/n 206153-1, w/pin AMP p/n 66099-3, w/ground pin p/n 164164-2 if ground grid option is chosen.

Flexible Heaters

Polyimide Heaters

Polyimide is a thin, lightweight organic polymer film that provides excellent tensile strength, tear and solvent resistance and dimensional stability. The polyimide heater is ideal for applications requiring low outgassing in a vacuum or resistance to radiation, fungus and chemicals.

Performance Capabilities

- For operating environments as low as -319°F (-195°C), heater temperature as high as 392°F (200°C)
- Watt densities up to 50 W/in² (7.75 W/cm²)^①
- UR[®] and C-UR[®] recognitions

Features and Benefits

Excellent physical and electrical properties

- Results in thermal stability over a wide temperature range

Transparent polyimide material

- Allows inspection of internal details

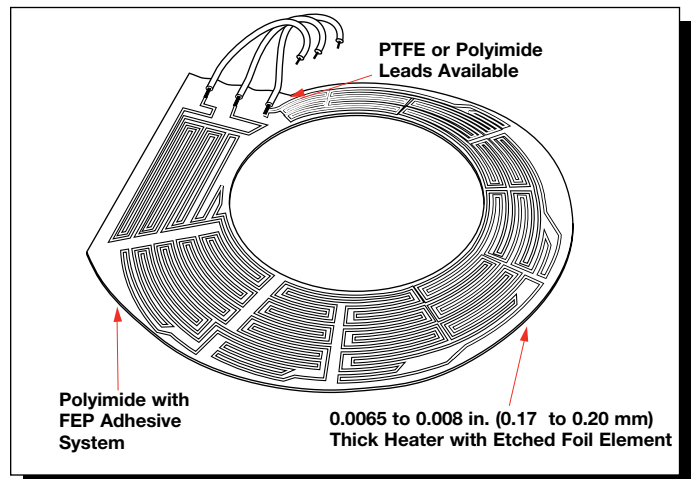
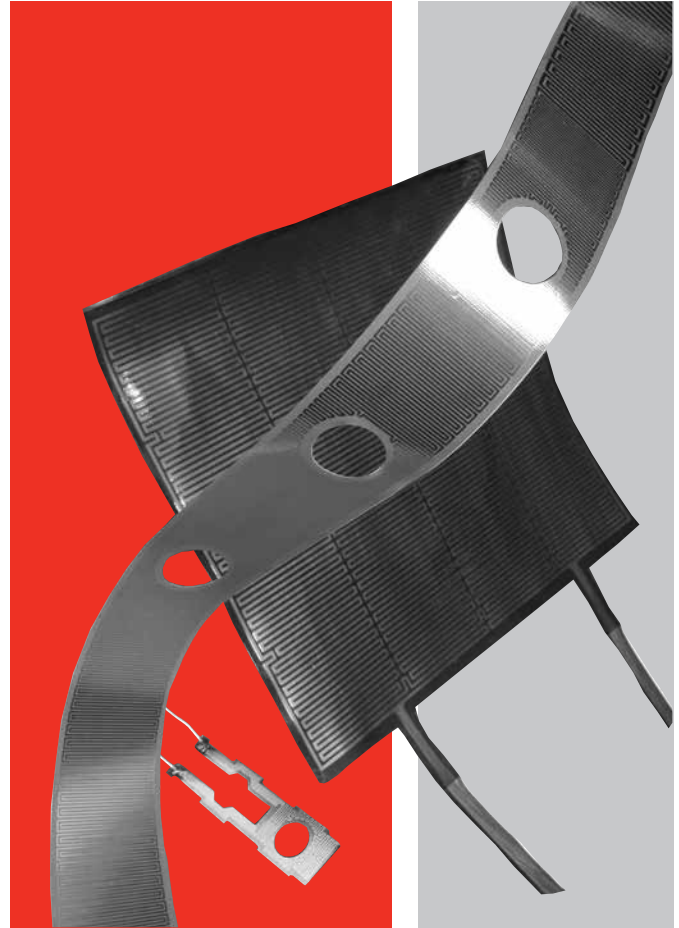
Resistance of radiation and fungus

- Can be used in a wide range of applications

Typical Applications

- Medical applications that require a clean, sterile environment
- Laboratory research
- Semiconductor processing equipment
- Optical equipment
- LCD displays
- Computer equipment
- Photographic equipment
- Aerospace/defense, where low outgassing properties are required

^① Watt density limits are application dependent (operating temperatures, bonding method and heat sink).



Flexible Heaters

Polyimide Heaters

Technical Data

Specifications

Thickness

- 0.007 in. (0.2 mm)

Flexibility (min. radius)

- $\frac{1}{32}$ in. (0.8 mm)

Weight

- 1.5 oz/ft² (0.05 g/cm²)

Operating temperature:

- Max.: 392°F (200°C)
- Min.: -319°F (-195°C)

Watt density rating on stock units

- 5 W/in² (0.8 W/cm²)

Dielectric strength

- Min. VAC: 1000

Flammability rating

- Self-extinguishing

Heater size limitations

- 18 x 26 in. (457 mm x 660 mm)

Weight loss (outgassing):

- 0.51%

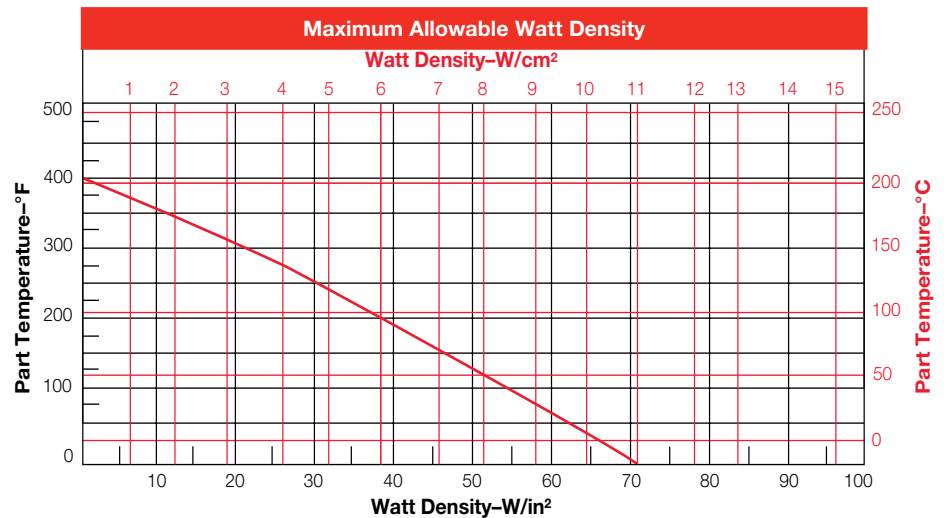
Lead length

- 12 in. (305 mm) PTFE E

Maximum Allowable Watt Density Versus Temperature

To achieve optimum performance with your Watlow polyimide heater, use a proper watt density on the surface of the heater.

The graph recommends watt densities for temperatures using a temperature controller. It does not indicate the watt density needed to achieve a given part temperature.



Note: The maximum watt density (W/in²) in open air is 5 W/in². The chart above assumes bonding the polyimide heater to a part.

Flexible Heaters

Polyimide Heaters

Rapid Ship Offering

Lead length, 12 in. (305 mm) "E" PTFE

Width		Length		Watts	28V Part Number	120V Part Number
in.	(mm)	in.	(mm)			
0.5	(13)	2	(51)	5	K005020C5-0009B	
1	(25)	1	(25)	5	K010010C5-0009B	
		3	(76)	15	K010030C5-0009B	
		5	(127)	25		K010050C3-0009B
		15	(381)	75		K010150C3-0009B
2	(51)	10	(254)	100		K020100C3-0009B
3	(76)	5	(127)	75		K030050C3-0009B
4	(102)	4	(102)	80		K040040C3-0009B
5	(127)	5	(127)	125		K050050C3-0009B

RAPID SHIP

- **RS** - Next day shipment
up to 75 pieces
depending on
part number.

Option

- Pressure sensitive adhesive surface (PSAS). The heaters above can be ordered with the optional PSAS surface by adding an "A" suffix to the part number and replacing the first "0."
Example K010050C3-A009B

Flexible Heaters

Polyimide Heaters

Special Product Offering

Part Number	Size		Circuit	Resistance	Max. Voltage	Watts @ Max. Voltage
	in.	(mm)				
K05711980-A	1/2 x 2 1/8	(13 x 54)	A	40	12	4
K05711980-B	1 x 2 1/8	(25 x 54)	B	90	48	26
K05711980-C	1 1/2 x 2 1/8	(38 x 54)	C	145	75	39
K05711980-D	2 x 2 1/8	(51 x 54)	D	205	105	54
K05711980-E	1/2 x 3 5/8	(13 x 34.9)	E	80	48	29
K05711980-F	1 x 3 5/8	(25 x 92.1)	F	165	90	49
K05711980-G	1 1/2 x 3 5/8	(38 x 92.1)	G	275	120	52
K05711980-H	2 x 3 5/8	(51 x 92.1)	H	375	120	38
K05711980-I	1/2 x 5 3/4	(13 x 146)	I	130	60	28
K05711980-J	1 x 5 3/4	(25 x 146)	J	255	120	56
K05711980-K	1 x 1 1/8	(25 x 28.6)	K	28	12	5
K05711980-L	1/2 x 1 1/8	(13 x 28.6)	L	13	6	3
K05711980-M	1 in O.D.	(25)	M	32	12	5
K05711980-N	2 in O.D.	(51)	N	180	105	61
K05711980-O	4 in O.D.	(102)	O	185	120	78
K05711980-P	1 x 1 3/8	(25 x 34.9)	P	45	24	13

Note: Above heaters are shipped without power leads unless specified, see below.

Options

- **Pressure sensitive adhesive (PSAS) surface**
- **Polyimide Handy Heater Kit—For Quick Heating Solutions**
 - Watlow offers a convenient polyimide heater kit which consists of 16 polyimide heaters — 13 rectangular and three circular—in different sizes and resistances. When a small flexible heater is needed quickly, the correct heater that fits the application can be used.

Notes:

- **Example:** To order the J heater circuit with PSAS, use K05711980A-J.
To order the J heater circuit with PSAS and leads, use K05711980AL-J.
- Leads are shipped loose, not soldered. Leads are 12 in. (305 mm) “E” PTFE.

Other Features

- The heater sheet can be ordered with or without PSAS, depending on requirements. To specify PSAS add **A** to the part number.
- The kit includes instructions for wiring, lead attachment, selection and installation. Pre-tinned solder pads are provided for easy lead connections.
- Instructions show how to dial in the desired wattage using a variable voltage transformer.
- Heaters can be wired individually, in series or in parallel, for hundreds of variations to satisfy special applications.

Flexible Heaters

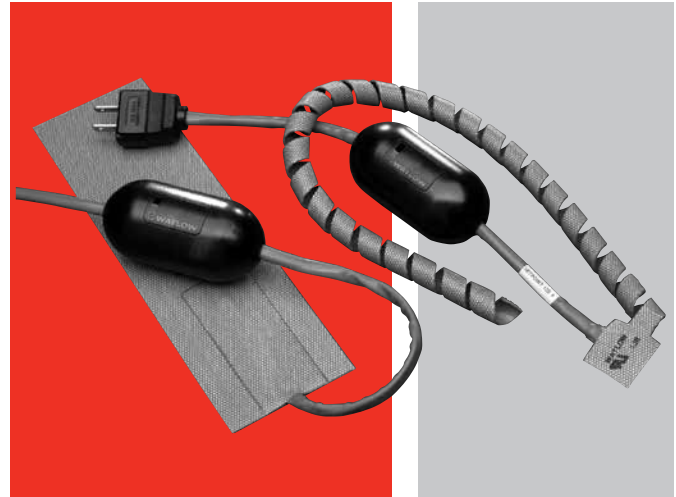
SERIES EHG®

Many applications requiring a fixed temperature set point rely on a mechanical thermostat for thermal control. Thermostats have proven, however, to be inadequate for many applications due to long-term reliability issues, such as 100,000 cycle rating and poor temperature control.

The SERIES EHG® thermal solution includes a compact temperature controller, thermocouple sensor and power switching device integrated into the heater's power cord. The SERIES EHG reduces system costs and lasts substantially longer than a conventional thermostat solution.

The evolution of miniature microprocessor technology and Watlow switching technology fostered development of a small, versatile temperature controller and thermocouple sensor that is integrated with Watlow silicone rubber heater products. This device senses the temperature via input from a thermocouple strategically placed on the heater mat. The microprocessor is programmed prior to shipment with an application specific set point. This results in quick delivery of a custom, integrated system.

The small thermocouple mass provides superior response to changes in process temperature enabling higher watt density silicone rubber heater designs. These features offer an integrated custom set point temperature controller with superior life span, faster heat-up rates and improved accuracy. The SERIES EHG system has been tested to over four million cycles at rated amperage. Depending on the application, Watlow's power switching design can last up to 40 times longer than a conventional thermostat.



Features and Benefits

Long operational life

- Improves system reliability

Tight temperature control

- Ensures process accuracy

Small sensor footprint

- Fits with almost any heater
- Responds quickly to temperature changes
- Controls high watt densities in low mass applications

A single EHG controller can be configured with multiple heaters

- Reduces system cost

Pre-wired, in line control

- Simplifies installation
- Offers two-wire power connection

Durable housing with built-in strain relief

- Protects electronics
- Provides low risk of mechanical damage

Manufactured with proven Watlow components

- Assures reliable system performance

Typical Applications

- Semiconductor processing
- Aerospace composite repair
- Foodservice equipment
- Freeze protection
- Life sciences
- Telecommunications

Flexible Heaters

SERIES EHG

Technical Information

Specifications

Operational

- SERIES EHG silicone rubber heater UL[®] recognized to 428°F (220°C) operating temperature
- Factory programmed fixed set point
- On-off control with 6°F (3°C) switching hysteresis
- Temperature band LED indicator ON between -68 and +68°F (-20 and +20°C) of set point

Electrical

- Voltage rating: 120 or 240VAC – 30/+10%, 50/60Hz
- Silicone rubber heater watt densities up to 80 W/in² (12.5 W/cm²) dependent on application temperature
- SERIES EHG system UL[®] recognized to 10A max.

Sensor

- Type K thermocouple

Mechanical

- Control dimensions 3.75 in. (95 mm) long by 1.75 in. (45 mm) diameter
- Heater per silicone rubber heater specifications

Agencies

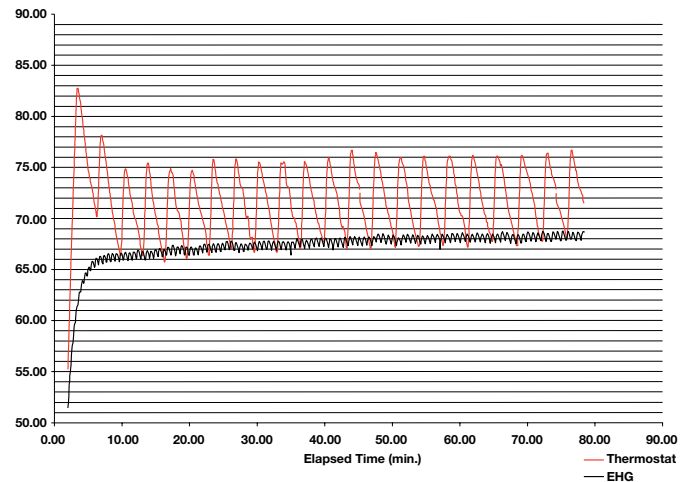
- Silicone rubber heater: UL[®] recognized File #E52951
- SERIES EHG control: TUV File DE 3-3068 to EN 61010-1:2001, UL[®] File E43684 to UL[®] 873 temperature indicating and regulating equipment

Environmental

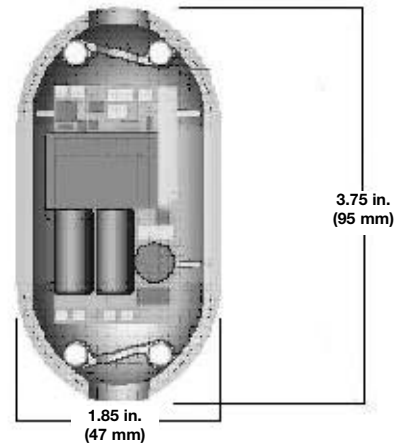
- Control operating temperature range 32 to 158°F (0 to 70°C)
- Control storage temperature range -40 to 158°F (-40 to 70°C)

Contact your Watlow representative for custom configurations.

SERIES EHG Versus Thermostat (typical application)



Dimensions



Integrated SERIES EHG System Versus Integrated Thermostat System

	Integrated EHG System	Integrated Thermostat System	SERIES EHG Benefit
Life comparison at rated amperage	Tested to greater than 4,000,000 cycles with 10A load	Rated 100,000 cycles	Longer product life of SERIES EHG system and high application reliability
Switch hysteresis	6°F (3°C)	15°F (8°C)	Provides superior process control
Improved response time reduces overshoot on start-up	6°F (3°C) typical	25°F (14°C) typical	Responds to temperature changes faster than a thermostat
Warranty	2 years for material and workmanship	1 year on material and workmanship	Warranty can be extended due to longer life cycle
Zero cross switching	SERIES EHG has zero cross switching	Random switching during sign wave cycle	Reduces the possibility of electrical mechanical interference (EMI)

Flexible Heaters

SERIES EHG SL10

The SERIES EHG SL10 integrated, multi-function controller is a key component to a powerful system that integrates a heater, an adjustable set point temperature controller, a high/low temperature alert, a power switching device and a high temperature safety limit. Its agency recognized controller/safety limit meets UL® 1998 and CE 60730 requirements.

An optional display/communications module can be easily added in the field to provide a digital display indication, an adjustment of set point, RS485 Modbus® communications and other Human Machine Interface (HMI) features. As a scalable system, only what is needed can be purchased.

The EHG SL10 controllers' easy to install, compact design, inherent reliability and integrated limit functions offer unmatched value. It is designed for easy integration with Watlow heaters to simplify engineering, reduce component count for new equipment and decrease ownership cost. For original equipment manufacturers, (OEMs), CE, Semi-S2 compliance and UL® recognition, the EHG controller reduces time and costs associated with global agency testing and validation.

Features and Benefits

Process controller and safety limit in one package

- Meets UL® 1998 and CE 60730 requirements
- Eliminates the need for a thermal fuse on a heater
- Eliminates replacement of heater when fuse fails

Optional display/communications module

- Allows easy upgrade on to base device
- Offers low cost field upgrade
- Provides easy, snap-on installation

Accurate and flexible temperature process controller

- Replaces problematic bi-metal thermostats with accurate electronic temperature process controller
- Allows easy change of process parameters

Ambient operating temperature range 32 to 158°F (0 to 70°C)

- Increases reliability when mounting in harsh temperature environments or in close proximity to heaters

Integrated high/low temperature alert signal relay

- Provides dry contact output to activate external alarm or process function
- Signals control status with three integrated LEDs
- Allows a signal of up to two amperes 30VAC/VDC, Form A to alert if process temperature is out of range limits



Health check diagnostics

- Monitors maximum heater process temperature, maximum ambient temperature and thermocouple operation
- Provides health check signal to inform operator that the process is working correctly

Universal power supply

- Allows an input of 85 to 264VAC, 50/60Hz
- Provides safe control of up to 2400 watts with 10 amperes switching in both controller and safety limit

Can be switched from on-off and PID algorithm

- Increases product life (on-off control is default)
- Offers selectable PID control algorithm for tighter temperature uniformity

Universal 1/8 turn mounting bracket

- Allows mounting to most surfaces
- Provides flexible mounting—either horizontally or vertically

Typical Applications

Foodservice equipment

- Warming and serving equipment
- Food holding cabinets

Life sciences

- Laboratory equipment
- Medical equipment

Packaging

- Heat sealing bars
- Hot glue application equipment

Semiconductor processing

- Gas delivery lines

Flexible Heaters

SERIES EHG SL10

Technical Information

Specifications

Operational

- Two, Type K thermocouple inputs - process temperature control and safety limit
- Process temperature output - 10A NO-ARC relay
- Safety limit alarm - 10A relay
- High/low temperature alert - 2A 30VAC/VDC, Form A (single pole, normally open contact)
- On-off temperature controller algorithm, upgraded via communications to PID algorithm (min. cycle time 30 seconds)

Standard Molex® connectors

- Controllers are integral to the heater and are supplied by Watlow

Power

- Isolated universal power supply 85 to 264VAC, 50/60Hz
- Up to 2400 W with 10A switching capability

NO-ARC Relay

- 10A switching
- 4.5 million cycles

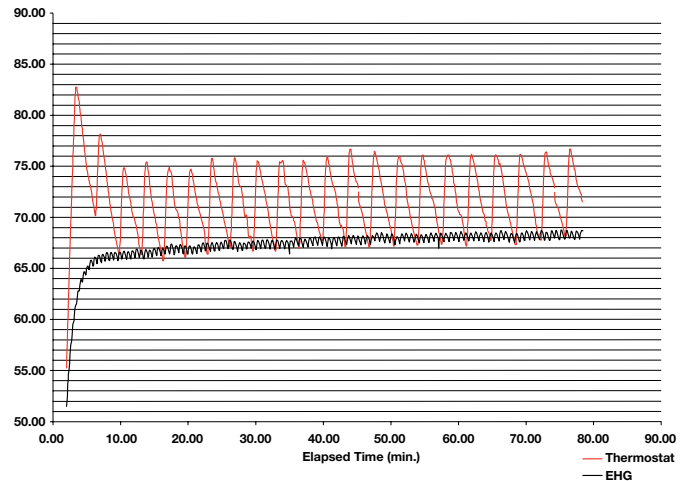
Environmental

- Ambient operating temperature range 32 to 158°F (0 to 70°C)

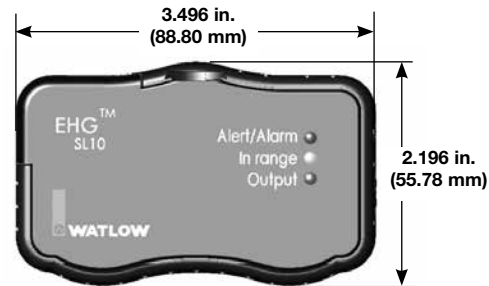
Agency Approvals

- UL® 1998/ C-UL®
- CE 60730
- Semi-S2

SERIES EHG Versus Thermostat (typical application)



Dimensions



Base Unit



Without Optional Module



With Optional Module

Switching Device Comparison Chart

	T-Stat	Solid State Relay	Watlow NO-ARC Relay
Amperage at 77°F (25°C)	10A	10A	10A
Amperage at 158°F (70°C)	10A	De-rate significantly and add heat sink and air cooling	10A
Output device life at 10A	Rated 100,000 at 158°F (70°C)	Greater than 10 million cycles at 77°F (25°C)	Greater than 4.5 million cycles at 158°F (70°C)

Flexible Heaters

SERIES EHG SL10

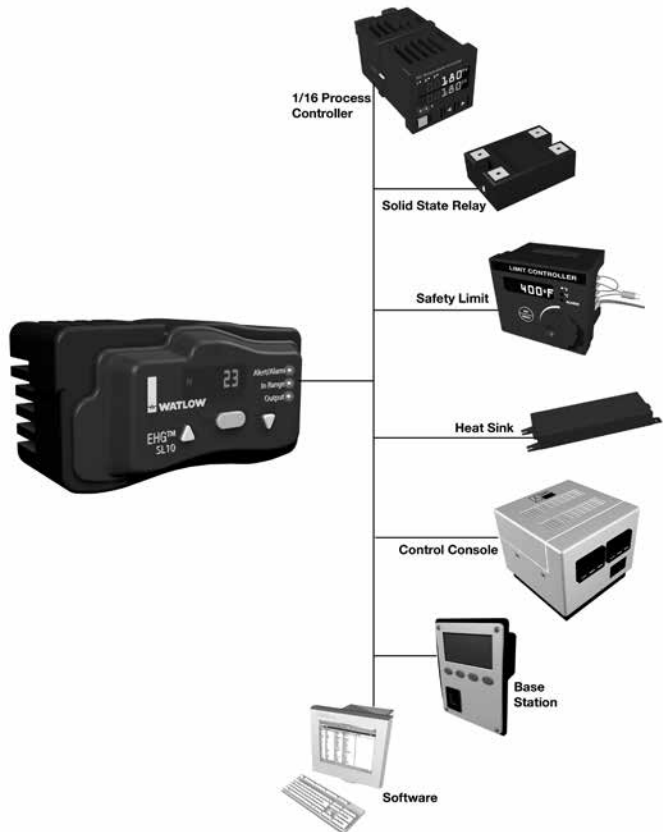
Technical Information (Continued)

EHG SL10 Software

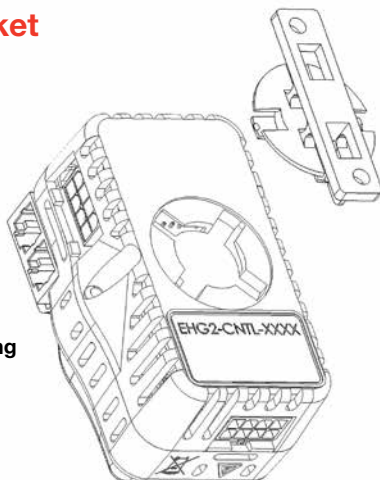
With the addition of an optional communication module, the EHG SL10 can be managed, monitored and manipulated via software. Change set points, label devices, change tuning parameters, check health status and much more all with the click of a key.



Reduces System Complexity and Cost



Mounting Bracket



The EHG SL10 mounting enables the controller to be mounted in four angles.



The EHG SL10 can be "daisy-chained" for gas line and other assemblies.





Flexible Heaters

SERIES EHG SL10

Technical Information (Continued)

Optional Upgrade Modules

These upgrade modules are easy to install. There is no need to reconfigure, rewire or reorder the base unit. A technician is not needed for the installation, resulting in a seamless, cost-efficient system that can be upgraded.

		Diagnostics Memory Control Parameters	Ability to Change Temperature Parameters	Field Adjustable Set Point	3-Digit 7-Segment LED Display Illuminated	Diagnostic LED's	User Interface Software	Modbus® RTU Communication	RS 485
Base Unit		✓	✓			✓			
Optional Display Module		✓	✓	✓	✓	✓			
Optional Communication Module		✓	✓	✓		✓	✓	✓	✓
Optional Display and Communication Module		✓	✓	✓	✓	✓	✓	✓	✓

Ordering Information

Part Number

1 2 3 4 5 6	7 8 9
265 EG2	Modules

7	8	9	Modules
001	=		Base unit
007	=		Display module
008	=		Communications module
002	=		Display and communications module

Additional cables for wiring parallel heater circuits (daisy-chaining) in gas line and other assemblies

- 4800-0012 - Long cable
- 4800-0022 - Long terminating cable
- 4800-0011 - Short cable
- 4800-0021 - Short terminating cable

Compatible Accessories

Operator Interface Terminals (OIT)



Silver Series touchscreen operator interface terminals provide a customizable user interface and log and graph data for Watlow controllers and other devices. A Silver Series operator interface terminal paired with Watlow controllers, is the perfect solution for industrial processes or machine control applications.

Flexible Heaters

SERIES EHG CL

The SERIES EHG CL integrated, multi-function controller is a key component to a powerful system that includes a heater, an adjustable set point temperature controller, a high/low temperature alert, a power switching device and a high temperature safety limit. Its agency recognized controller/safety limit meets UL® 1998 and CE 60730 requirements.

An optional display/communications module can be easily added in the field to provide a digital display indication, an adjustment of set point, RS485 Modbus® communications and other Human Machine Interface (HMI) features. As a scalable system, only what is needed can be purchased.

The EHG CL controllers' easy to install, compact design, inherent reliability and integrated limit functions offer unmatched value. It is designed for easy integration with Watlow heaters to simplify engineering, reduce component count for new equipment and decrease ownership cost.

For original equipment manufacturers (OEMs), the EHG CL controller's CE, Semi-S2 compliance and UL® recognition reduces time and costs associated with global agency testing and validation. U.S. Patent Number 8,044,329

Features and Benefits

Temperature range -0.4 to 999°F (-18 to 537°C)

- Ideal for high temperature applications

Process controller and safety limit in one package

- Meets UL® 1998 and CE 60730 requirements
- Eliminates the need for a thermal fuse on a heater
- Eliminates replacement of heater when fuse fails

Optional display/communications module

- Allows easy upgrade on to base device
- Offers low cost field upgrade
- Provides easy, snap-on installation

Accurate and flexible temperature process controller

- Replaces problematic bi-metal thermostats with accurate electronic temperature process controller
- Allows easy change of process parameters

Ambient operating temperature range 32 to 158°F (0 to 70°C)

- Increases reliability when mounting in harsh temperature environments or in close proximity to heaters



Health check diagnostics

- Monitors maximum heater process temperature, maximum ambient temperature and thermocouple operation
- Provides health check signal to inform operator that the process is working correctly

Universal power supply

- Allows an input of 85 to 264VAC, 50/60Hz
- Provides safe control of up to 2400 watts with 10 amperes switching in both controller and safety limit

Can be switched from on-off and PID algorithm

- Increases product life (on-off control is default)
- Offers selectable PID control algorithm for tighter temperature uniformity

Universal 1/8 turn mounting bracket

- Allows mounting to most surfaces
- Provides flexible mounting—either horizontally or vertically

Typical Applications

Semiconductor processing

- Gas delivery lines
- Exhaust/pump lines

Life sciences

- Laboratory equipment
- Medical equipment
- Pharmaceutical

Flexible Heaters

SERIES EHG CL

Technical Information

Specifications

Operational

- Two, Type K thermocouple inputs - process temperature control and safety limit
- Process temperature output - 10A NO-ARC relay
- Safety limit alarm - 10A relay
- On-off temperature controller algorithm, upgraded via communications or display module to PID algorithm (min. cycle time 30 seconds)

Standard Molex® connectors

- Controllers are integral to the heater and are supplied by Watlow

Power

- Isolated universal power supply 85 to 264VAC, 50/60Hz
- Up to 2400 W with 10A switching capability

NO-ARC Relay

- 10A switching
- 4.5 million cycles

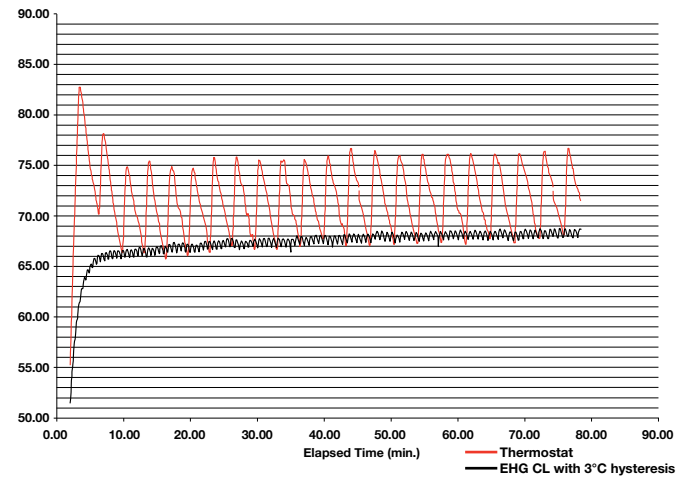
Environmental

- Ambient operating temperature range 32 to 158°F (0 to 70°C)

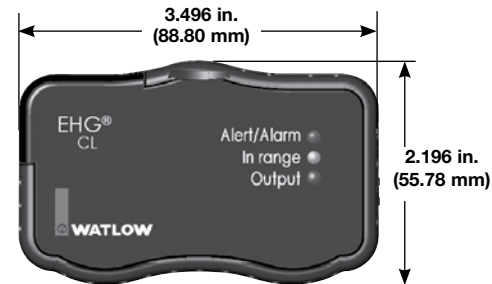
Agency Approvals

- UL® 1998/ C-UL®
- CE 60730
- Semi-S2

SERIES EHG CL Versus Thermostat (typical application)



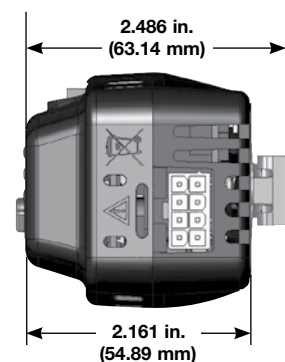
Dimensions



Base Unit



Without Optional Module



With Optional Module

Switching Device Comparison Chart

	T-Stat	Solid State Relay	Watlow NO-ARC Relay
Amperage at 77°F (25°C)	10A	10A	10A
Amperage at 158°F (70°C)	10A	De-rate significantly and add heat sink and air cooling	10A
Output device life at 10A	Rated 100,000 at 158°F (70°C)	Greater than 10 million cycles at 77°F (25°C)	Greater than 4.5 million cycles at 158°F (70°C)

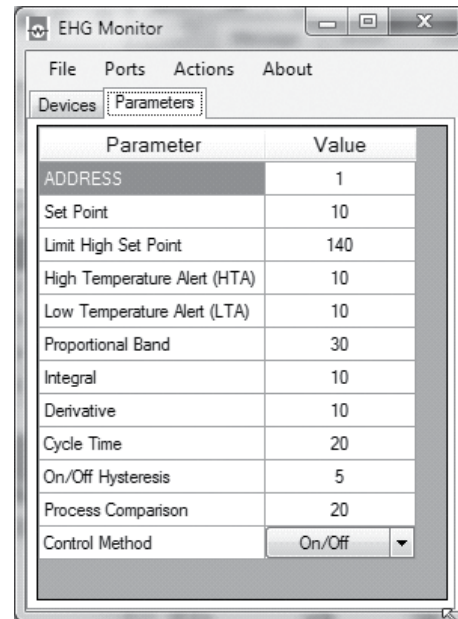
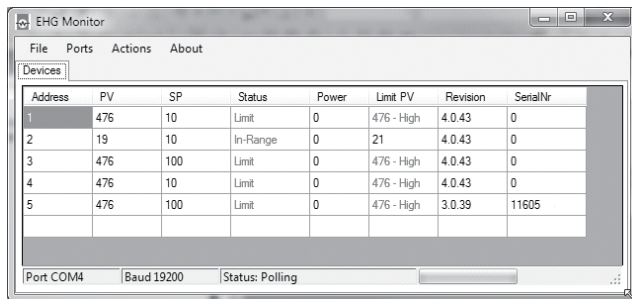
Flexible Heaters

SERIES EHG CL

Technical Information (Continued)





EHG CL Software

With the addition of an optional communication module, the EHG CL can be managed, monitored and manipulated via software. Change set points, label devices, change tuning parameters, check health status and much more all with the click of a key.



Optional Upgrade Modules

These upgrade modules are easy to install. There is no need to reconfigure, rewire or reorder the base unit. A technician is not needed for the installation, resulting in a seamless, cost-efficient system that can be upgraded.

		Diagnostics Memory Control Parameters	Ability to Change Temperature Parameters	Field Adjustable Set Point	3-Digit 7-Segment LED Display Illuminated	Diagnostic LED's	User Interface Software	Modbus® RTU Communication	RS 485
Base Unit		✓	✓			✓			
Optional Display Module		✓	✓	✓	✓	✓			
Optional Communication Module		✓	✓	✓		✓	✓	✓	✓
Optional Display and Communication Module		✓	✓	✓	✓	✓	✓	✓	✓

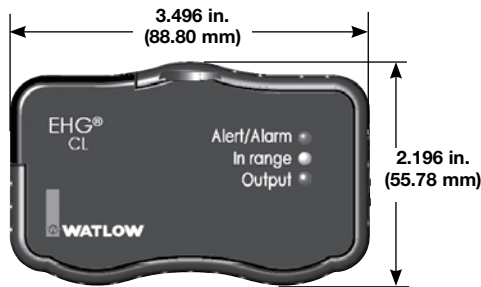
Flexible Heaters

SERIES EHG CL

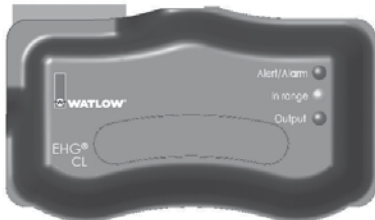
Technical Information (Continued)



Modules can be upgraded and are easily replaceable.



Base Unit



Communications Only Module



Display Only Module



Display and Communications Module

Ordering Information

Part Number

1 2 3 4 5 6	7 8 9
265 EG3	Base/ Module

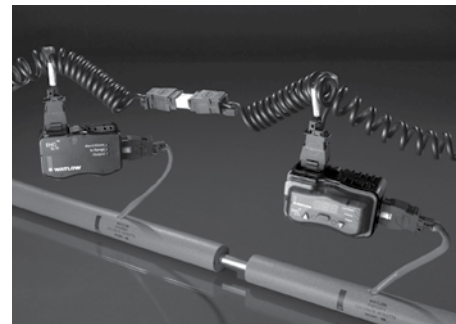
7 8 9	Base/Module
001 =	Base unit (extended temperature range)
002 =	Display module (extended temperature range)
003 =	Communications module (extended temperature range)
004 =	Display with communications module (extended temperature range)

Additional cables for wiring parallel heater circuits (daisy-chaining) in gas line and other assemblies

- 4800-0012 - Long cable
- 4800-0022 - Long terminating cable
- 4800-0011 - Short cable
- 4800-0021 - Short terminating cable

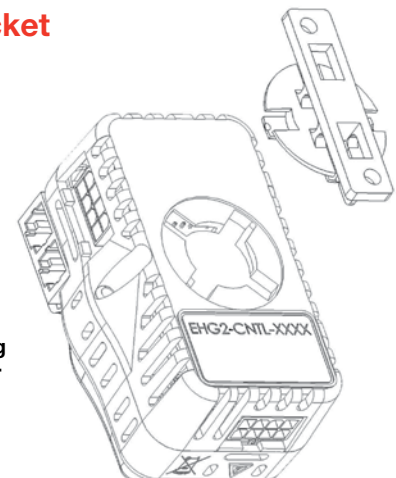
Availability

The EHG CL is available for shipment; please contact your Watlow representative for more information.



The EHG CL can be "daisy-chained" for gas line and other assemblies.

Mounting Bracket

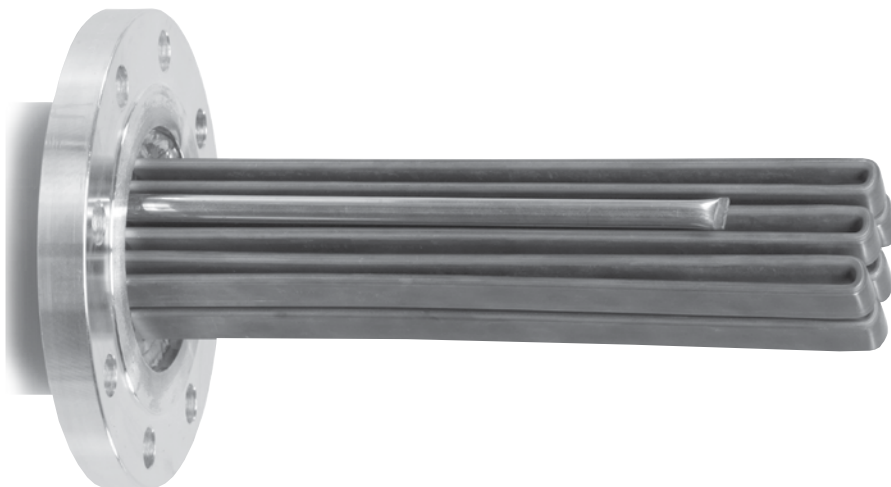


The EHG CL mounting enables the controller to be mounted in four angles.



Immersion Heaters

Immersion Heaters	Sheath Materials	Max. Operating Temperatures		Typical Max. Watt Densities		Page
		°F	°C	W/in ²	W/cm ²	
WATROD and FIREBAR® Screw Plug	Alloy 800/840	1600	870	120	18.6	165
	Stainless steel	1200	650	120	18.6	
	Steel	750	400	120	18.6	
Screw Plug with Control Assembly	Alloy 800	1600	870	60	9.3	235
WATROD and FIREBAR ANSI Flange	Alloy 800	1600	870	100	15.5	237
	Stainless steel	1200	650	100	15.5	
	Steel	750	400	100	15.5	
WATROD and FIREBAR Flange						
Plate Flange	Alloy 800/840	1600	870	60	9.3	307
	304 stainless steel	1200	650	100	15.5	
	Steel	750	400	30	4.7	
Square Flange	Alloy 800	1600	870	100	15.5	313
Bayonet/Pipe Insert	Alloy 800	1600	870	10	1.6	316
	Steel	750	400	10	1.6	
Over-the-Side						
L and O Shaped	Alloy 800	1600	870	60	9.3	318
FIREROD®	Alloy 800	212	100	300	46.5	323





Immersion Heaters

WATROD™ and FIREBAR® Screw Plug Immersion Heaters

Screw plug immersion heaters are ideal for direct immersion heating of liquids, including all types of oils and heat transfer solutions.

Available in a variety of sizes, Watlow® screw plug immersion heaters feature both WATROD™ round and FIREBAR® flat tubular elements.

Heating elements are hairpin bent and either welded or brazed into the screw plug—depending on element sheath and plug material compatibility.

General purpose terminal enclosures are standard; with optional moisture resistant, explosion resistant and explosion/moisture resistant enclosures available to meet specific application needs.

Optional thermostats provide convenient process temperature regulation.

Performance Capabilities

- Watt densities up to 120 W/in² (18.6 W/cm²)
- Wattages up to 38 kilowatts
- UL® and CSA component recognition up to 480VAC and 600VAC respectively
- Alloy 800/840 sheath temperatures up to 1600°F (870°C)
- Passivated 316 stainless steel sheath temperatures up to 1200°F (650°C)
- 304 stainless steel sheath temperatures up to 1200°F (650°C)
- Steel sheath temperatures up to 750°F (400°C)

Features and Benefits

A variety of element sheath and screw plug materials

- Meets your application needs

Integral thermowells

- Provides convenient temperature sensor insertion and replacement without draining the fluid being heated

Terminal enclosures

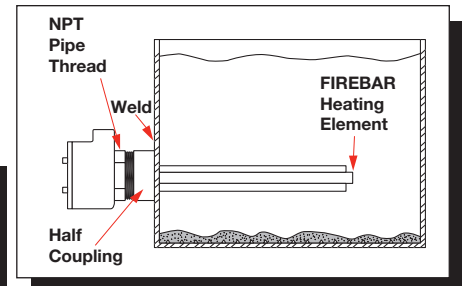
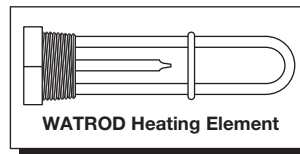
- Provides ability to be rotated to simplify connection with existing conduits

Welding or brazing WATROD and FIREBAR elements to the screw plug

- Provides a pressure tight seal

WATROD hairpins are repressed (recompacted)

- Maintains MgO density, dielectric strength, heat transfer and life



2 1/2 in. (64 mm) NPT screw plug assemblies feature element support(s)

- Ensures proper spacing for maximizing heater performance and life

• Screw plug and element sizes:

1 in. NPT	0.260 and 0.315 in. WATROD
1 1/4 in. NPT	0.260 and 0.315 in. WATROD 1 in. FIREBAR
2 in. NPT	0.430 and 0.475 in. WATROD
2 1/2 in. NPT	0.430 and 0.475 in. WATROD 1 in. FIREBAR

• Phase capability:

1 in. NPT	1-Phase
1 1/4, 2, 2 1/2 in., NPT	1- or 3-Phase

UL® and CSA component recognition under File E52951 and 31388 respectively, see pages 561 to 568 for details.

Immersion Heaters

WATROD and FIREBAR Screw Plug Immersion Heaters

Typical Applications

- Water:
 - Deionized
 - Demineralized
 - Clean
 - Potable
 - Process
- Industrial water rinse tanks
- Vapor degreasers
- Hydraulic oil, crude, asphalt
- Lubricating oils at API specified watt densities
- Air and gas flow
- Caustic solutions
- Chemical baths
- Anti-freeze (glycol) solutions
- Paraffin

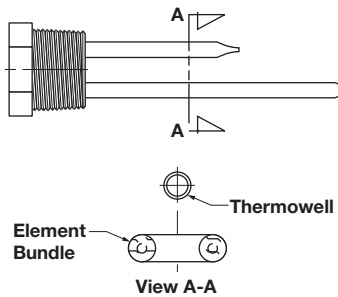
Screw Plug Orientation

Correct element/thermowell orientation assures proper process temperature sensing.

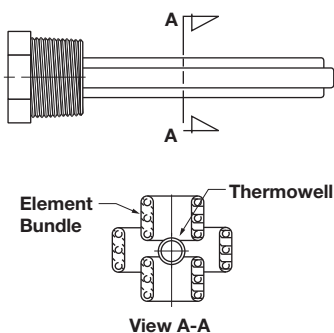
Correct horizontal mounting of WATROD and FIREBAR screw plugs is shown below. Correct orientation assures optimum performance and maximum heater life. Additional mounting information is provided in the *Installation and Maintenance Instructions*.

FIREBAR Heating Elements

1 1/4 in. (32 mm) NPT—One Element

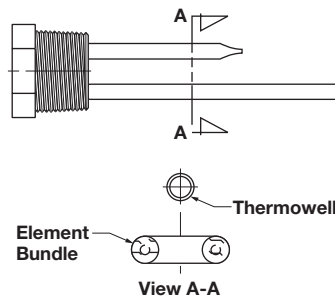


2 1/2 in. (64 mm) NPT—Three Elements

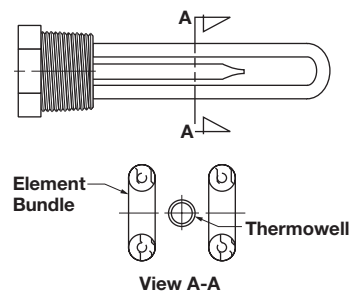


WATROD Heating Element

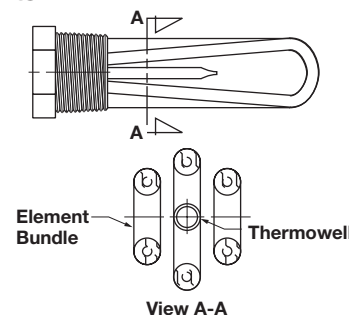
1 in. (25 mm) NPT—One Element



1 1/4 in. (32 mm) and 2 in. (51 mm) NPT—Two Elements



2 in. (51 mm) and 2 1/2 in. (64 mm) NPT—Three Elements



Immersion Heaters

WATROD and FIREBAR Screw Plug Immersion Heaters

Options

Terminal Enclosures

General purpose terminal enclosures, without thermostats, are available on all screw plug immersion heaters. To meet specific application requirements, Watlow offers the following optional terminal enclosures:

- General purpose with single- or double-pole thermostat
- Moisture-resistant or corrosion resistant—available with optional single- or double-pole thermostat
- Non-certified, explosion-resistant suitable for use in non-classified areas only—available with optional single or double-pole thermostat
- Non-certified, explosion and moisture-resistant combination suitable for use in non-classified areas only—available with optional single- or double-pole thermostat

Note: Unless otherwise stated on the accompanying illustrations, both WATROD and FIREBAR screw plugs are centered on the terminal enclosure. To order, add the suffix letter(s) to the screw plug heater's base part number. This is depicted on the ordering example on page 234. Also, specify class and group, if applicable.

CSA Certified Enclosures

These enclosures are suitable for Class 1, Groups B, C and D classified areas. CSA certified moisture and/or explosion-resistant terminal enclosures protect wiring in hazardous gas environments. These terminal enclosures, covered under CSA File number 61707, are available on all WATROD and FIREBAR screw plug immersion heaters. For additional information, contact your Watlow representative.

To order, specify **CSA certified enclosure**, **process temperature** (°F), maximum **working pressure** of application (psig), **media** being heated and heater **mounting orientation** (horizontal or vertical) and **screw plug size**.

Pilot Light

The optional pilot light gives the operator visual indication of heater on or off power status.

The PL10 pilot light is configured to a maximum 250VAC and supplied with 6 in. (152 mm) leads.

The PL11 pilot light is rated for 480VAC and supplied with 4 in. (102 mm) leads.

Pilot lights may be attached to either single- or double-pole thermostats with general purpose enclosure only.

Thermostats

To provide process temperature control, Watlow offers optional single-pole, single-throw (SPST) and double-pole, single-throw (DPST) thermostats.

Unless otherwise specified, thermostats are mounted inside the terminal enclosure. For details and ordering information, refer to *Thermostats* on pages 534 to 538. Please verify that the thermostat's sensing bulb O.D. is compatible with the screw plug's thermowell I.D.



Caution:

Certified explosion-resistant terminal enclosures are intended to provide explosion containment in the electrical termination/wiring enclosure only. No portion of the assembly outside of this enclosure is covered under this enclosure rating. Enclosure rating effectiveness may be compromised by abuse or misapplication.

Immersion Heaters

WATROD and FIREBAR Screw Plug Immersion Heaters

Options (Continued)

Thermocouples

Type J or K thermocouples offer extremely accurate sensing of process and/or sheath temperatures. A thermocouple may be inserted into the thermowell or attached to the heater's sheath.

Thermocouples are supplied with 120 in. (3048 mm) leads (longer lead lengths available). Unless otherwise specified, thermocouples are supplied with temperature ranges detailed on the *Thermocouple Types* chart.

Using a thermocouple requires an appropriate temperature and power controller and these must be purchased separately. Watlow offers a wide variety of temperature and power controllers to meet virtually all applications. Temperature controllers can be configured to accept process variable inputs, too. Contact your Watlow representative for details.

To order, specify **Type J** or **K** thermocouple and lead length. Indicate if the thermocouple is for **process temperature sensing** or heater sheath **high-limit protection**. Please specify if the screw plug will be mounted **vertical** or **horizontal** in the tank. **If vertical, indicate if the housing is on top or bottom.**

If the screw plug heater is mounted in an in-line circulation heating application, indicate flow direction relative to the heater's enclosure.

Thermocouple Types

ASTM Type	Conductor Characteristics		Recommended ① Temperature Range	
	Positive	Negative	°F	(°C)
J	Iron (Magnetic)	Constantan (Non-Magnetic)	0 to 1000	(-20 to 540)
K	Chromel® (non-magnetic)	Alumel® (Magnetic)	0 to 2000	(-20 to 1100)

① Type J and Type K thermocouples are rated 32 to 1382°F and 32 to 2282°F (0-750°C and 0-1250°C), respectively. Watlow does not recommend exceeding temperature ranges shown on this chart for the tubular product line.

Wattages and Voltages

Watlow routinely supplies screw plug immersion heaters with 120 to 480VAC as well as wattages from 250 watts to 38kW.

Sheath Materials

The following sheath materials are available on WATROD and FIREBAR heating elements:

Standard Sheath Materials

WATROD	Alloy 800/840
	316 SS
	Steel
FIREBAR	Alloy 800

Exotic Sheath Materials

Contact your Watlow representative for details and availability.

External Finishing

Passivation

During the manufacturing process, particles of iron or tool steel may become embedded in the stainless steel or alloy sheath. If not removed, these particles may corrode, produce rust spots and/or contaminate the process. For critical applications, passivation will remove free iron from the sheath. To order, specify **passivation**.

Other Finishes

Bright annealing available to meet cosmetic demands.

Screw Plug Materials

The following screw plug materials are available:

To order, specify **screw plug size** and **material**.

Standard Screw Plug Materials

WATROD	304 SS, Brass
	Steel
FIREBAR	304 SS

Made-to-Order Plug Materials

For both WATROD and FIREBAR, contact your Watlow representative about details and availability.

Immersion Heaters

WATROD and FIREBAR Screw Plug Immersion Heaters

Options (Continued)

Screw Plug Sizes

Including European

- NPT— 3/4, 1, 1 1/4, 2, 2 1/2 in.

To order, specify **size**, **style** (NPT) and material.

Screw Plug to Flange Adapters

Screw plug to flange adapters permit replacing flange heaters with screw plug heaters. To order, specify the appropriate part number.

Screw Plug to Flange Adapters

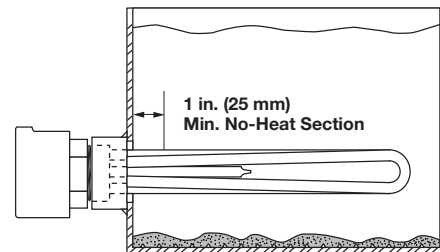
Screw Plug to Flange Adapter Sizes	Material	Estimated Shipping Wt.		Delivery	Part Number
		lbs	(kg)		
1 1/4 to 3 in.-150#	Steel	13	(5.9)	RS	125X3SA
2 1/2 to 3 in.-150#	Steel	11	(5.0)	RS	250X3SA
2 1/2 to 4 in.-150#	Steel	16	(7.3)	RS	250X4SA
2 1/2 to 5 in.-150#	Steel	25	(11.3)	RS	250X5SA
2 1/2 to 6 in.-150#	Steel	33	(15.0)	RS	250X6SA

RAPID SHIP

- RS - Next day shipment up to 3 pieces

Application Hints

- Select the recommended sheath material and watt density for the substance being heated. Use the *Supplemental Applications Chart* on pages 555 to 560. If unable to determine the correct heater material and type, contact your Watlow representative.
- Extend the element's no-heat section completely into the fluid being heated to help prevent premature heater failure. See illustration below for proper no-heat section placement.
- Locate screw plug heater low in the tank, but above the sludge level.



- Choose a FIREBAR element when the application requires a smaller system package or lower watt density.
- Ensure wiring integrity by making sure terminal enclosure temperature does not exceed 400°F (205°C).
- Keep electrical connections clean, dry and tight.
- Size power feeder wires in accordance with National Electrical Code guidelines and other applicable codes.
- Size power feeder wires in accordance with national electrical code guidelines and other applicable codes.
- Minimize problems associated with low liquid level conditions by using a low liquid level sensor or sheath temperature high-limit control.
- Periodically remove the screw plug assembly for inspection and clean the heating element(s). This preventive maintenance will reduce premature failure and optimize heater performance.
- Refer to the *Installation and Maintenance Instructions* for correct orientation of FIREBAR elements. Correct element orientation to flow minimizes pressure drop, increases buoyancy force and heater performance.

Extended Capabilities For WATROD and FIREBAR Screw Plug Immersion Heaters

Options

Pilot Light

The optional pilot light gives the operator visual indication of heater on or off power status.

The PL10 pilot light is configured to a maximum 250VAC and supplied with 6 in. (152 mm) leads.

The PL11 pilot light is rated for 480VAC and supplied with 4 in. (102 mm) leads.

Pilot lights may be attached to either single or double pole thermostats with general purpose enclosure only. For moisture or explosion resistant terminal enclosures, contact your Watlow representative.

To order, refer to the *Ordering Information* on page 234.

Wattages and Voltages

Watlow routinely supplies screw plug immersion heaters with 120 to 480VAC as well as wattages from 250 watts to 38kW. If required, Watlow may configure heaters with voltages and wattages outside these parameters. For more information on special voltage and wattage configurations, contact your Watlow representative.

Extended Sheath Materials

The following sheath materials are available on WATROD and FIREBAR heating elements:

Extended Sheath Materials

WATROD	304 and 321 SS Alloy 400 and 600 Titanium Hastelloy C276
FIREBAR	304 SS Alloy 800

Screw Plug Materials

The following screw plug materials are available:

To order, specify **screw plug size** and **material**.

Extended Screw Plug Materials

WATROD	304, 304H, 316H, 321 SS Titanium Alloy 400 and 600 Hastelloy C276 Alloy 800/840
---------------	---

Screw Plug Sizes

Including European

- **Gas (Gas Pipe Standard)** – G1¹/₄, G1¹/₂, G2 in. (brass only)
- **BSP (British Standard Pipe)** – 1¹/₂, 2 in. (stainless steel only)

Contact your Watlow representative for sizes and materials not listed.

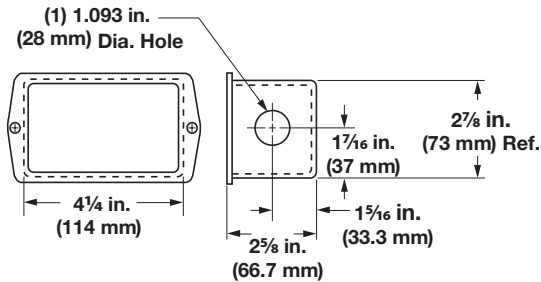
Immersion Heaters

WATROD and FIREBAR Screw Plug Immersion Heaters

Optional Moisture Resistant Housings

Single-Pole Thermostat

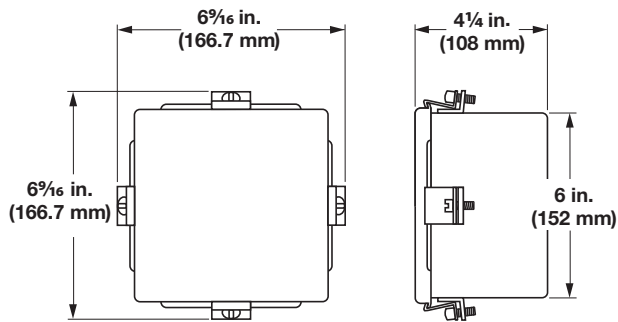
1 and 1¹/₄ inch NPT-1 WATROD Element



Note: The thermostat is not centered on the WATROD screw plug immersion heater.

Single-Pole Thermostat

All 2 and 2¹/₂ inch NPT



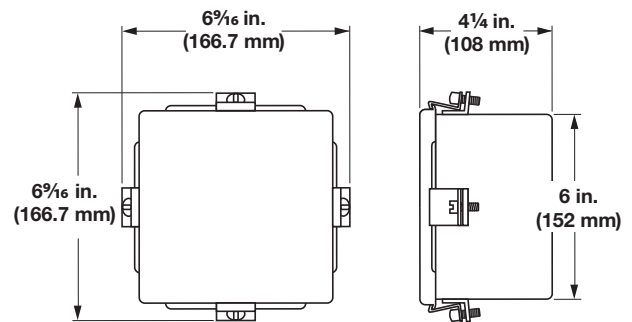
To order: Reference "W" in the *Ordering Information* section on page 234.

Double-Pole Thermostat

1¹/₄ inch NPT-2 WATROD Elements

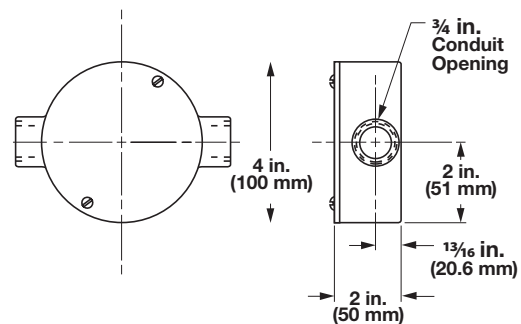
1¹/₄ inch NPT-1 FIREBAR Element

All 2 and 2¹/₂ inch NPT screw plugs



Note: The thermostat is not centered on the screw plug immersion heater.

Without Thermostat



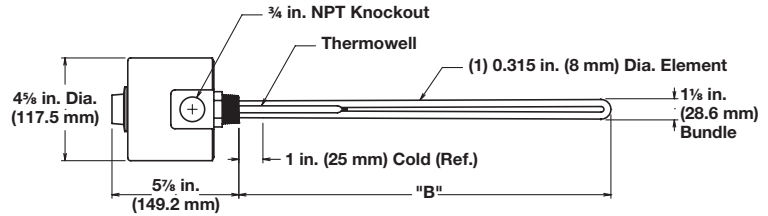
Immersion Heaters

WATROD and FIREBAR Screw Plug Immersion Heaters



Application: Clean Water

- 1 inch NPT screw plug
- WATROD elements
- With thermostat (SPST)
- General purpose enclosure



Description	Volts	kW	Ph	"B" Dim. in. (mm)	Ship Wt. lbs (kg)	Type 2 (30 to 250°F)		Type 3 (175 to 550°F)	
						Part Number	Del.	Part Number ②	Del.
General Purpose Enclosure									
60 W/in² Brass Plug 1-Alloy 800 Element	120	0.50	1	4 1/2 (114.0)	3 (2)	BCN4J1S2	RS	BCN4J1S3	RS
	240	0.50	1	4 1/2 (114.0)	3 (2)	BCN4J10S2	RS	BCN4J10S3	RS
	120	0.75	1	6 1/2 (165.0)	3 (2)	BCN6J1S2	RS	BCN6J1S3	RS
	240	0.75	1	6 1/2 (165.0)	3 (2)	BCN6J10S2	RS	BCN6J10S3	RS
	120	1.00	1	6 5/8 (168.3)	3 (2)	BCN6L1S2	RS	BCN6L1S3	RS
	240	1.00	1	6 5/8 (168.3)	3 (2)	BCN6L10S2	RS	BCN6L10S3	RS
	120	1.25	1	8 (203.0)	4 (2)	BCN8A1S2	RS	BCN8A1S3	RS
	240	1.25	1	8 (203.0)	4 (2)	BCN8A10S2	RS	BCN8A10S3	RS
	120	1.50	1	10 5/8 (269.9)	4 (2)	BCN10L1S2	RS	BCN10L1S3	RS
	240	1.50	1	10 5/8 (269.9)	4 (2)	BCN10L10S2	RS	BCN10L10S3	RS
	120	2.00	1	12 1/2 (318.0)	5 (3)	BCN12J1S2	RS	BCN12J1S3	RS
	240	2.00	1	12 1/2 (318.0)	5 (3)	BCN12J10S2	RS	BCN12J10S3	RS
	120	2.50	1	14 3/4 (375.0)	5 (3)	BCN14N1S2	RS	BCN14N1S3	RS
	240	2.50	1	14 3/4 (375.0)	5 (3)	BCN14N10S2	RS	BCN14N10S3	RS
	120	3.00	1	16 3/4 (425.0)	6 (3)	BCN16N1S2	RS	BCN16N1S3	RS
	240	3.00	1	16 3/4 (425.0)	6 (3)	BCN16N10S2	RS	BCN16N10S3	RS
240	4.00	1	21 (533.0)	6 (3)	BCN21A10S2	RS	BCN21A10S3	RS	

RAPID SHIP

- RS - Next day shipment up to 5 pieces

Note: All screw plug bundles are designed to fit the inside diameter of the equivalent mating coupling. They will not fit into the equivalent pipe inside diameter.

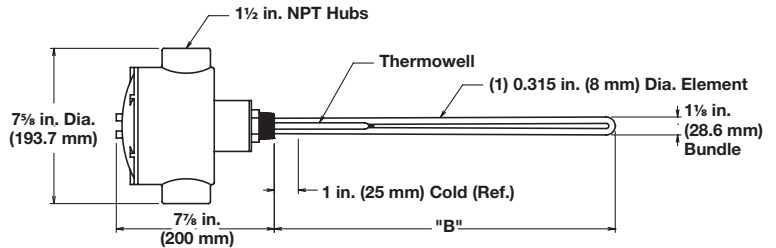
② UL® recognized only

Immersion Heaters

WATROD and FIREBAR Screw Plug Immersion Heaters

Application: Clean Water

- 1 inch NPT screw plug
- WATROD elements
- With thermostat (SPST)
- Moisture/explosion-resistant enclosure (suitable for use in non-classified areas only)



Description	Volts	kW	Ph	"B" Dim. in. (mm)	Ship Wt. lbs (kg)	Type 2 (30 to 250°F)		Type 3 (175 to 550°F)	
						Part Number	Del.	Part Number	Del.
Moisture/Explosion-Resistant Enclosure ⑤									
60 W/in² Brass Plug 1-Alloy 800 Element (9.3 W/cm²)	120	0.50	1	4 1/2 (114.0)	3 (2)	BCN4J1C2	RS	BCN4J1C3	RS
	240	0.50	1	4 1/2 (114.0)	3 (2)	BCN4J10C2	RS	BCN4J10C3	RS
	120	0.75	1	6 1/2 (165.0)	3 (2)	BCN6J1C2	RS	BCN6J1C3	RS
	240	0.75	1	6 1/2 (165.0)	3 (2)	BCN6J10C2	RS	BCN6J10C3	RS
	120	1.00	1	6 5/8 (168.3)	3 (2)	BCN6L1C2	RS	BCN6L1C3	RS
	240	1.00	1	6 5/8 (168.3)	3 (2)	BCN6L10C2	RS	BCN6L10C3	RS
	120	1.25	1	8 (203.0)	4 (2)	BCN8A1C2	RS	BCN8A1C3	RS
	240	1.25	1	8 (203.0)	4 (2)	BCN8A10C2	RS	BCN8A10C3	RS
	120	1.50	1	10 5/8 (269.9)	4 (2)	BCN10L1C2	RS	BCN10L1C3	RS
	240	1.50	1	10 5/8 (269.9)	4 (2)	BCN10L10C2	RS	BCN10L10C3	RS
	120	2.00	1	12 1/2 (318.0)	5 (3)	BCN12J1C2	RS	BCN12J1C3	RS
	240	2.00	1	12 1/2 (318.0)	5 (3)	BCN12J10C2	RS	BCN12J10C3	RS
	120	2.50	1	14 3/4 (375.0)	5 (3)	BCN14N1C2	RS	BCN14N1C3	RS
	240	2.50	1	14 3/4 (375.0)	5 (3)	BCN14N10C2	RS	BCN14N10C3	RS
	120	3.00	1	16 3/4 (425.0)	6 (3)	BCN16N1C2	RS	BCN16N1C3	RS
	240	3.00	1	16 3/4 (425.0)	6 (3)	BCN16N10C2	RS	BCN16N10C3	RS
240	4.00	1	21 (533.0)	6 (3)	BCN21A10C2	RS	BCN21A10C3	RS	

RAPID SHIP

- RS - Next day shipment up to 5 pieces

Note: All screw plug bundles are designed to fit the inside diameter of the equivalent mating coupling. They will not fit into the equivalent pipe inside diameter.

⑤ No third party recognition

Immersion Heaters

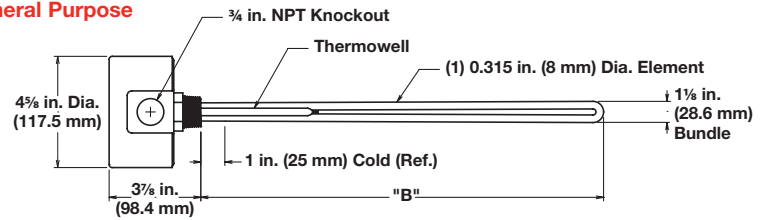
WATROD and FIREBAR Screw Plug Immersion Heaters



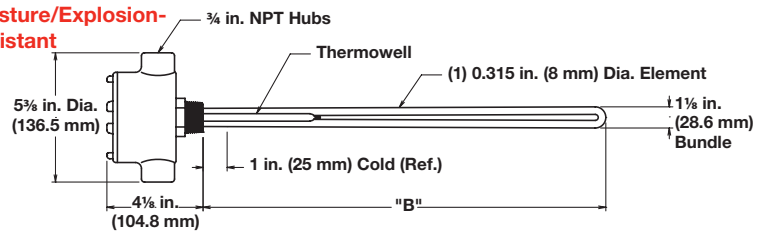
Application: Clean Water

- 1 inch NPT screw plug
- WATROD elements
- Without thermostat
- General purpose or moisture/explosion-resistant enclosure (suitable for use in non-classified areas only)

General Purpose



Moisture/Explosion-Resistant



Description	Volts	kW	Ph	"B" Dim. in. (mm)	Part Number	Del.	Ship Wt. lbs (kg)	Part Number ⑤	Del.	Ship Wt. lbs (kg)
60 W/in² Brass Plug 1-Alloy 800 Element (9.3 W/cm²)	120	0.50	1	4 1/2 (114.0)	General Purpose Enclosure			Moisture/Explosion-Resistant Enclosure		
	240	0.50	1	4 1/2 (114.0)	BCN4J1S	RS	3 (2)	BCN4J1C	RS	6 (3)
	120	0.75	1	6 1/2 (165.0)	BCN4J10S	RS	3 (2)	BCN4J10C	RS	6 (3)
	240	0.75	1	6 1/2 (165.0)	BCN6J1S	RS	3 (2)	BCN6J1C	RS	6 (3)
	240	0.75	1	6 1/2 (165.0)	BCN6J10S	RS	3 (2)	BCN6J10C	RS	6 (3)
	120	1.00	1	6 5/8 (168.3)	BCN6L1S	RS	3 (2)	BCN6L1C	RS	6 (3)
	240	1.00	1	6 5/8 (168.3)	BCN6L10S	RS	3 (2)	BCN6L10C	RS	6 (3)
	120	1.25	1	8 (203.0)	BCN8A1S	RS	4 (2)	BCN8A1C	RS	7 (4)
	240	1.25	1	8 (203.0)	BCN8A10S	RS	4 (2)	BCN8A10C	RS	7 (4)
	120	1.50	1	10 5/8 (269.9)	BCN10L1S	RS	4 (2)	BCN10L1C	RS	7 (4)
	240	1.50	1	10 5/8 (269.9)	BCN10L10S	RS	4 (2)	BCN10L10C	RS	7 (4)
	120	2.00	1	12 1/2 (318.0)	BCN12J1S	RS	5 (3)	BCN12J1C	RS	8 (4)
	240	2.00	1	12 1/2 (318.0)	BCN12J10S	RS	5 (3)	BCN12J10C	RS	8 (4)
	120	2.50	1	14 3/4 (375.0)	BCN14N1S	RS	5 (3)	BCN14N1C	RS	8 (4)
	240	2.50	1	14 3/4 (375.0)	BCN14N10S	RS	5 (3)	BCN14N10C	RS	8 (4)
	120	3.00	1	16 3/4 (425.0)	BCN16N1S	RS	6 (3)	BCN16N1C	RS	9 (4)
240	3.00	1	16 3/4 (425.0)	BCN16N10S	RS	6 (3)	BCN16N10C	RS	9 (4)	
240	4.00	1	21 (533.0)	BCN21A10S	RS	6 (3)	BCN21A10C	RS	9 (4)	

RAPID SHIP

- RS - Next day shipment up to 5 pieces

Note: All screw plug bundles are designed to fit the inside diameter of the equivalent mating coupling. They will not fit into the equivalent pipe inside diameter.

⑤ No third party recognition

Immersion Heaters

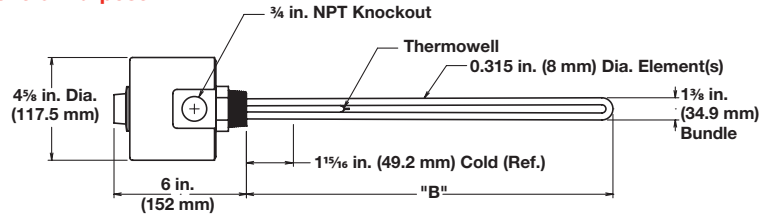
WATROD and FIREBAR Screw Plug Immersion Heaters



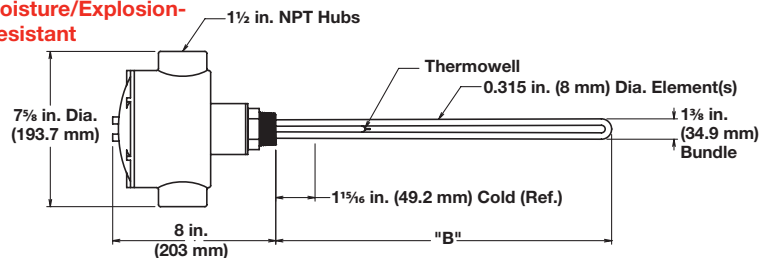
Application: Clean Water

- 1 1/4 inch NPT screw plug
- WATROD elements
- With thermostat (SPST)
- General purpose or moisture/explosion-resistant enclosure (suitable for use in non-classified areas only)

General Purpose



Moisture/Explosion-Resistant



Description	Volts	kW	Ph	"B" Dim. in. (mm)	Ship Wt. lbs (kg)	Type 2 (30 to 250°F)		Type 3 (175 to 550°F)	
						Part Number	Del.	Part Number ⑤	Del.
General Purpose Enclosure									
60 W/in² Brass Plug 1-Alloy 800 Element (9.3 W/cm²)	120	0.50	1	4 ³ / ₈ (111.1)	3 (2)	BDN4G1S2	RS	BDN4G1S3	RS
	240	0.50	1	4 ³ / ₈ (111.1)	3 (2)	BDN4G10S2	RS	BDN4G10S3	RS
	120	0.75	1	6 ³ / ₈ (161.9)	3 (2)	BDN6G1S2	RS	BDN6G1S3	RS
	240	0.75	1	6 ³ / ₈ (161.9)	3 (2)	BDN6G10S2	RS	BDN6G10S3	RS
60 W/in² ④ Brass Plug 2-Alloy 800 Elements (9.3 W/cm²)	120/240	1.00	1	4 ³ / ₈ (111.1)	4 (2)	BEN4G6S2	RS	BEN4G6S3	RS
	120/240	1.50	1	6 ³ / ₈ (161.9)	4 (2)	BEN6G6S2	RS	BEN6G6S3	RS
	120/240	2.00	1	8 ¹ / ₂ (216.0)	5 (3)	BEN8J6S2	RS	BEN8J6S3	RS
	120/240	2.50	1	10 ³ / ₄ (273.0)	5 (3)	BEN10N6S2	RS	BEN10N6S3	RS
	120/240	3.00	1	15 (381.0)	6 (3)	BEN15A6S2	RS	BEN15A6S3	RS
	240	4.00	1	19 (483.0)	7 (4)	BEN19A10S2	RS	BEN19A10S3	RS
	240	5.00	1	23 ¹ / ₂ (597.0)	8 (4)	BEN23J10S2	RS	BEN23J10S3	RS
	240	6.00	1	27 ¹ / ₂ (699.0)	9 (4)	BEN27J10S2	RS	BEN27J10S3	RS
Moisture/Explosion-Resistant Enclosure ⑤									
60 W/in² Brass Plug 1-Alloy 800 Element (9.3 W/cm²)	120	0.50	1	4 ³ / ₈ (111.1)	7 (4)	BDN4G1C2	RS	BDN4G1C3	RS
	240	0.50	1	4 ³ / ₈ (111.1)	7 (4)	BDN4G10C2	RS	BDN4G10C3	RS
	120	0.75	1	6 ³ / ₈ (161.9)	7 (4)	BDN6G1C2	RS	BDN6G1C3	RS
	240	0.75	1	6 ³ / ₈ (161.9)	7 (4)	BDN6G10C2	RS	BDN6G10C3	RS
60 W/in² ④ Brass Plug 2-Alloy 800 Elements (9.3 W/cm²)	120/240	1.00	1	4 ³ / ₈ (111.1)	8 (4)	BEN4G6C2	RS	BEN4G6C3	RS
	120/240	1.50	1	6 ³ / ₈ (161.9)	8 (4)	BEN6G6C2	RS	BEN6G6C3	RS
	120/240	2.00	1	8 ¹ / ₂ (216.0)	9 (4)	BEN8J6C2	RS	BEN8J6C3	RS
	120/240	2.50	1	10 ³ / ₄ (273.0)	9 (4)	BEN10N6C2	RS	BEN10N6C3	RS
	120/240	3.00	1	15 (381.0)	10 (5)	BEN15A6C2	RS	BEN15A6C3	RS
	240	4.00	1	19 (483.0)	11 (5)	BEN19A10C2	RS	BEN19A10C3	RS
	240	5.00	1	23 ¹ / ₂ (597.0)	12 (6)	BEN23J10C2	RS	BEN23J10C3	RS
	240	6.00	1	27 ¹ / ₂ (699.0)	13 (6)	BEN27J10C2	RS	BEN27J10C3	RS



- RS - Next day shipment up to 5 pieces

Note: All screw plug bundles are designed to fit the inside diameter of the equivalent mating coupling. They will not fit into the equivalent pipe inside diameter.

- ④ Wired for higher voltage
- ⑤ No third party recognition

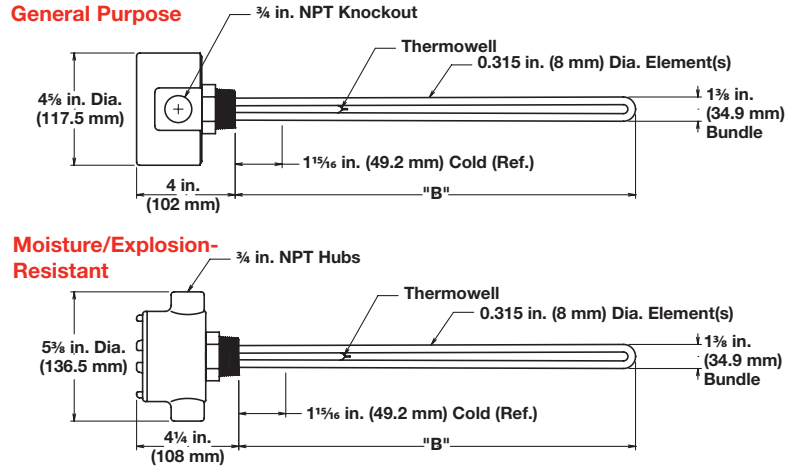
Immersion Heaters

WATROD and FIREBAR Screw Plug Immersion Heaters



Application: Clean Water

- 1 1/4 inch NPT screw plug
- WATROD elements
- Without thermostat
- General purpose or moisture/explosion-resistant enclosure (suitable for use in non-classified areas only)



Description	Volts	kW	Ph	"B" Dim. in. (mm)	Part Number	Del.	Ship Wt. lbs (kg)	Part Number ⑤	Del.	Ship Wt. lbs (kg)	
					General Purpose Enclosure			Moisture/Explosion-Resistant Enclosure			
60 W/in² Brass Plug 1-Alloy 800 Element (9.3 W/cm²)	120	0.50	1	4 ³ / ₈ (111.1)	BDN4G1S	RS	3 (2)	BDN4G1C	RS	6 (3)	
	240	0.50	1	4 ³ / ₈ (111.1)	BDN4G10S	RS	3 (2)	BDN4G10C	RS	6 (3)	
	120	0.75	1	6 ³ / ₈ (161.9)	BDN6G1S	RS	3 (2)	BDN6G1C	RS	6 (3)	
	240	0.75	1	6 ³ / ₈ (161.9)	BDN6G10S	RS	3 (2)	BDN6G10C	RS	6 (3)	
60 W/in² ④ Brass Plug 2-Alloy 800 Elements (9.3 W/cm²)	120/240	1.00	1	4 ³ / ₈ (111.1)	BEN4G6S	RS	4 (2)	BEN4G6C	RS	7 (4)	
	120/240	1.50	1	6 ³ / ₈ (161.9)	BEN6G6S	RS	4 (2)	BEN6G6C	RS	7 (4)	
	120/240	2.00	1	8 ¹ / ₂ (216.0)	BEN8J6S	RS	5 (3)	BEN8J6C	RS	8 (4)	
	120/240	2.50	1	10 ³ / ₄ (273.0)	BEN10N6S	RS	5 (3)	BEN10N6C	RS	8 (4)	
	120/240	3.00	1	15 (381.0)	BEN15A6S	RS	6 (3)	BEN15A6C	RS	9 (4)	
	240	4.00	1	19 (483.0)	BEN19A10S	RS	7 (4)	BEN19A10C	RS	10 (5)	
	240	5.00	1	23 ¹ / ₂ (597.0)	BEN23J10S	RS	8 (4)	BEN23J10C	RS	11 (5)	
	240	6.00	1	27 ¹ / ₂ (699.0)	BEN27J10S	RS	9 (4)	BEN27J10C	RS	12 (6)	

RAPID SHIP

- RS - Next day shipment up to 5 pieces

Note: All screw plug bundles are designed to fit the inside diameter of the equivalent mating coupling. They will not fit into the equivalent pipe inside diameter.

- ④ Wired for higher voltage
- ⑤ No third party recognition

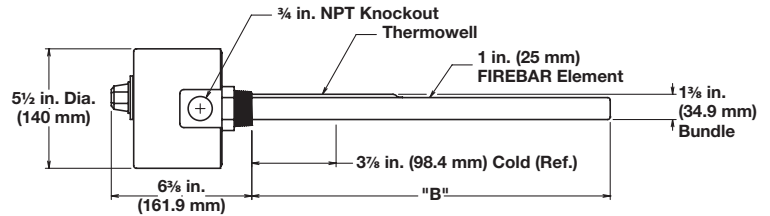
Immersion Heaters

WATROD and FIREBAR Screw Plug Immersion Heaters



Application: Clean Water

- 1 1/4 inch NPT screw plug
- FIREBAR elements
- With thermostat (DPST)
- General purpose enclosure



Description	Volts	kW	Ph	"B" Dim. in. (mm)	Ship Wt. lbs (kg)	Type 5A (60 to 250°F)		Type 7A (100 to 550°F)	
						Part Number	Del.	Part Number	Del.
General Purpose Enclosure									
90 W/in² Ⓢ 304 SS Plug 1-Alloy 800 Element (14 W/cm²)	240	1.5	1	7 ⁵ / ₈ (193.7)	6 (3)	BDNF7R10S5A	RS	BDNF7R10S7A	RS
	480	1.5	1	7 ⁵ / ₈ (193.7)	6 (3)	BDNF7R11S5A	RS	BDNF7R11S7A	RS
	240	3.0	1	11 ¹ / ₈ (282.6)	7 (4)	BDNF11G10S5A	RS	BDNF11G10S7A	RS
	480	3.0	1	11 ¹ / ₈ (282.6)	7 (4)	BDNF11G11S5A	RS	BDNF11G11S7A	RS
	240	5.0	3	16 ¹ / ₈ (409.6)	8 (4)	BDNF16G3S5A	RS	BDNF16G3S7A	RS
	480	5.0	3	16 ¹ / ₈ (409.6)	8 (4)	BDNF16G5S5A	RS	BDNF16G5S7A	RS
	240	6.5	3	19 ¹ / ₈ (485.8)	9 (4)	BDNF19G3S5A	RS	BDNF19G3S7A	RS
	480	6.5	3	19 ¹ / ₈ (485.8)	9 (4)	BDNF19G5S5A	RS	BDNF19G5S7A	RS
	240	8.5	3	24 ³ / ₈ (619.1)	10 (5)	BDNF24L3S5A	RS	BDNF24L3S7A	RS
	480	8.5	3	24 ³ / ₈ (619.1)	10 (5)	BDNF24L5S5A	RS	BDNF24L5S7A	RS
	240	10.5	3	29 ⁵ / ₈ (752.5)	11 (5)	BDNF29R3S5A	RS	BDNF29R3S7A	RS

RAPID SHIP

- RS - Next day shipment up to 5 pieces

Note: All screw plug bundles are designed to fit the inside diameter of the equivalent mating coupling. They will not fit into the equivalent pipe inside diameter.

Ⓢ Can be wired for 1-phase operation

Immersion Heaters

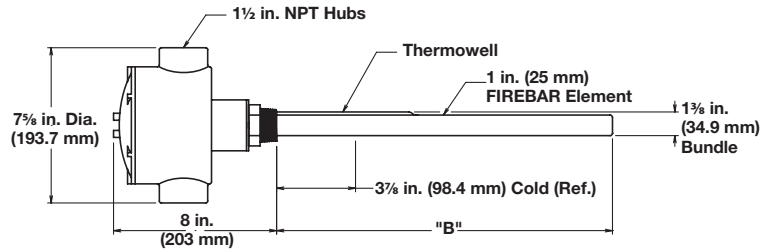
WATROD and FIREBAR Screw Plug Immersion Heaters

Application: Clean Water

- 1 1/4 inch NPT screw plug
- FIREBAR elements
- With thermostat (DPST)

Note: Higher amperage products require a pilot duty thermostat with separate power controller. Please see following pages for available heaters without thermostats.

- Moisture/explosion-resistant enclosure (suitable for use in non-classified areas only)



Description	Volts	kW	Ph	"B" Dim. in. (mm)	Ship Wt. lbs (kg)	Type 5A (60 to 250°F)		Type 7A (100 to 550°F)	
						Part Number	Del.	Part Number	Del.
Moisture/Explosion-Resistant Enclosure ⑤									
90 W/in² ⑧ 304 SS Plug 1-Alloy 800 Element (14 W/cm²)	240	1.5	1	7 ⁵ / ₈ (193.7)	9 (4)	BDNF7R10C5A	RS	BDNF7R10C7A	RS
	480	1.5	1	7 ⁵ / ₈ (193.7)	9 (4)	BDNF7R11C5A	RS	BDNF7R11C7A	RS
	240	3.0	1	11 ¹ / ₈ (282.6)	10 (5)	BDNF11G10C5A	RS	BDNF11G10C7A	RS
	480	3.0	1	11 ¹ / ₈ (282.6)	10 (5)	BDNF11G11C5A	RS	BDNF11G11C7A	RS
	240	5.0	3	16 ¹ / ₈ (409.6)	11 (5)	BDNF16G3C5A	RS	BDNF16G3C7A	RS
	480	5.0	3	16 ¹ / ₈ (409.6)	11 (5)	BDNF16G5C5A	RS	BDNF16G5C7A	RS
	240	6.5	3	19 ¹ / ₈ (485.8)	12 (6)	BDNF19G3C5A	RS	BDNF19G3C7A	RS
	480	6.5	3	19 ¹ / ₈ (485.8)	12 (6)	BDNF19G5C5A	RS	BDNF19G5C7A	RS
240	8.5	3	24 ³ / ₈ (619.1)	13 (6)	BDNF24L3C5A	RS	BDNF24L3C7A	RS	

RAPID SHIP

- **RS** - Next day shipment up to 5 pieces

Note: All screw plug bundles are designed to fit the inside diameter of the equivalent mating coupling. They will not fit into the equivalent pipe inside diameter.

⑤ No third party recognition

⑧ Can be wired for 1-phase operation

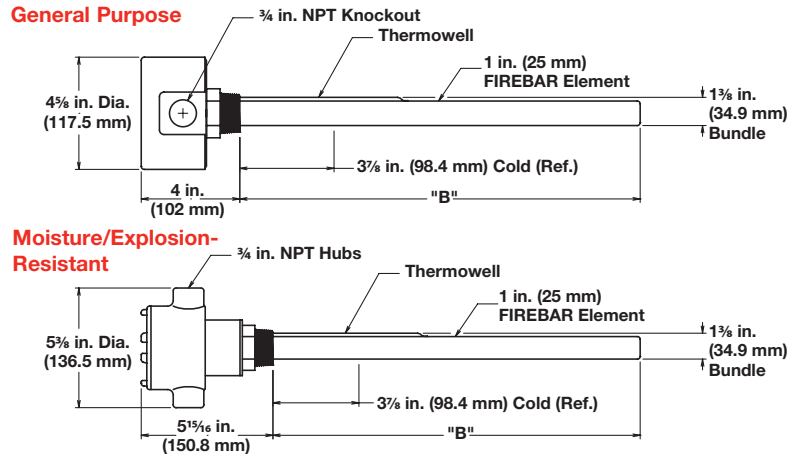
Immersion Heaters

WATROD and FIREBAR Screw Plug Immersion Heaters



Application: Clean Water

- 1 1/4 inch NPT screw plug
- FIREBAR elements
- Without thermostat
- General purpose or moisture/explosion-resistant enclosure (suitable for use in non-classified areas only)



Description	Volts	kW	Ph	"B" Dim. in. (mm)	General Purpose Enclosure		Moisture/Explosion-Resistant Enclosure			
					Part Number	Del.	Ship Wt. lbs (kg)	Part Number ⑤	Del.	Ship Wt. lbs (kg)
90 W/in ² ⑧ 304 SS Plug 1-Alloy 800 Element (9.3 W/cm ²)	240	1.5	1	7 ⁵ / ₈ (193.7)	BDNF7R10S	RS	5 (3)	BDNF7R10C	RS	8 (4)
	480	1.5	1	7 ⁵ / ₈ (193.7)	BDNF7R11S	RS	5 (3)	BDNF7R11C	RS	8 (4)
	240	3.0	1	11 ¹ / ₈ (282.6)	BDNF11G10S	RS	6 (3)	BDNF11G10C	RS	9 (4)
	480	3.0	1	11 ¹ / ₈ (282.6)	BDNF11G11S	RS	6 (3)	BDNF11G11C	RS	9 (4)
	240	5.0	3	16 ¹ / ₈ (409.6)	BDNF16G3S	RS	7 (4)	BDNF16G3C	RS	10 (5)
	480	5.0	3	16 ¹ / ₈ (409.6)	BDNF16G5S	RS	7 (4)	BDNF16G5C	RS	10 (5)
	240	6.5	3	19 ¹ / ₈ (485.8)	BDNF19G3S	RS	8 (4)	BDNF19G3C	RS	11 (5)
	480	6.5	3	19 ¹ / ₈ (485.8)	BDNF19G5S	RS	8 (4)	BDNF19G5C	RS	11 (5)
	240	8.5	3	24 ³ / ₈ (619.1)	BDNF24L3S	RS	9 (4)	BDNF24L3C	RS	12 (6)
	480	8.5	3	24 ³ / ₈ (619.1)	BDNF24L5S	RS	9 (4)	BDNF24L5C	RS	12 (6)
	240	10.5	3	29 ⁵ / ₈ (752.5)	BDNF29R3S	RS	10 (5)	BDNF29R3C	RS	13 (6)
	480	10.5	3	29 ⁵ / ₈ (752.5)	BDNF29R5S	RS	10 (5)	BDNF29R5C	RS	13 (6)
	240	12.7	3	34 ⁵ / ₈ (879.5)	BDNF34R3S	RS	11 (5)	BDNF34R3C	RS	14 (7)
	480	12.7	3	34 ⁵ / ₈ (879.5)	BDNF34R5S	RS	11 (5)	BDNF34R5C	RS	14 (7)
	240	17.0	3	45 ¹ / ₈ (1146.2)	BDNF45G3S	RS	13 (6)	BDNF45G3C	RS	16 (8)
	480	17.0	3	45 ¹ / ₈ (1146.2)	BDNF45G5S	RS	13 (6)	BDNF45G5C	RS	16 (8)
480	21.5	3	55 ⁵ / ₈ (1412.9)	BDNF55R5S	RS	15 (7)	BDNF55R5C	RS	18 (9)	

RAPID SHIP

- RS - Next day shipment up to 5 pieces

Note: All screw plug bundles are designed to fit the inside diameter of the equivalent mating coupling. They will not fit into the equivalent pipe inside diameter.

- ⑤ No third party recognition
- ⑧ Can be wired for 1-phase operation

Immersion Heaters

WATROD and FIREBAR Screw Plug Immersion Heaters

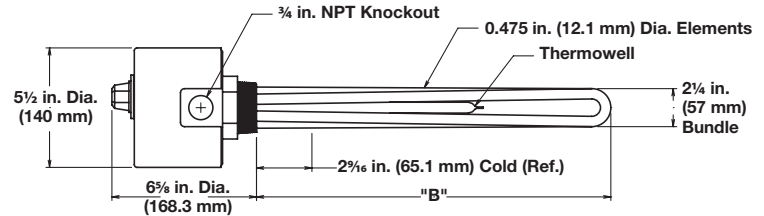


Application: Clean Water

- 2 inch NPT screw plug
- WATROD elements
- With thermostat (DPST)

Note: Higher amperage products require a pilot duty thermostat with separate power controller. Please see following pages for available heaters without thermostats.

- General purpose enclosure



Description	Volts	kW	Ph	"B" Dim. in. (mm)	Ship Wt. lbs (kg)	Type 4 (30 to 110°F)		Type 5A (60 to 250°F)		Type 7A (100 to 550°F)	
						Part Number	Del.	Part Number	Del.	Part Number	Del.
General Purpose Enclosure											
60 W/in² ④ 304 SS Plug 2-Alloy 800 Elements (9.3 W/cm²)	120/240	2.0	1	8 ¹ / ₈ (206.4)	5 (3)	BGN78C6S4	RS	BGN78C6S5A	RS	BGN78C6S7A	RS
	240/480	2.0	1	8 ¹ / ₈ (206.4)	5 (3)	BGN78C7S4	RS	BGN78C7S5A	RS	BGN78C7S7A	RS
	120/240	3.0	1	11 ¹ / ₈ (282.6)	6 (3)	BGN711C6S4	RS	BGN711C6S5A	RS	BGN711C6S7A	RS
	240/480	3.0	1	11 ¹ / ₈ (282.6)	6 (3)	BGN711C7S4	RS	BGN711C7S5A	RS	BGN711C7S7A	RS
	120/240	4.0	1	15 ¹ / ₈ (384.2)	7 (4)	BGN715C6S4	RS	BGN715C6S5A	RS	BGN715C6S7A	RS
	120/240	5.0	1	18 ¹ / ₈ (460.4)	7 (4)	BGN718C6S4	RS	BGN718C6S5A	RS	BGN718C6S7A	RS
60 W/in² 304 SS Plug 3-Alloy 800 Elements (9.3 W/cm²)	240	3.0	3	8 ¹ / ₈ (206.4)	6 (3)	BHN78C3S4	RS	BHN78C3S5A	RS	BHN78C3S7A	RS
	480	3.0	3	8 ¹ / ₈ (206.4)	6 (3)	BHN68C13S4	RS	BHN68C13S5A	RS	BHN68C13S7A	RS
	240	4.5	3	11 ¹ / ₈ (282.6)	7 (4)	BHN711C3S4	RS	BHN711C3S5A	RS	BHN711C3S7A	RS
	480	4.5	3	11 ¹ / ₈ (282.6)	7 (4)	BHN611C13S4	RS	BHN611C13S5A	RS	BHN611C13S7A	RS
	240	6.0	3	15 ¹ / ₈ (384.2)	8 (4)	BHN715C3S4	RS	BHN715C3S5A	RS	BHN715C3S7A	RS
	480	6.0	3	15 ¹ / ₈ (384.2)	8 (4)	BHN715C5S4	RS	BHN715C5S5A	RS	BHN715C5S7A	RS
	240	7.5	3	18 ¹ / ₈ (460.4)	8 (4)	BHN718C3S4	RS	BHN718C3S5A	RS	BHN718C3S7A	RS
	240	9.0	3	21 ¹ / ₈ (536.6)	9 (4)	BHN721C3S4	RS	BHN721C3S5A	RS	BHN721C3S7A	RS

RAPID SHIP

- RS - Next day shipment up to 5 pieces

Note: All screw plug bundles are designed to fit the inside diameter of the equivalent mating coupling. They will not fit into the equivalent pipe inside diameter.

④ Wired for higher voltage

Immersion Heaters

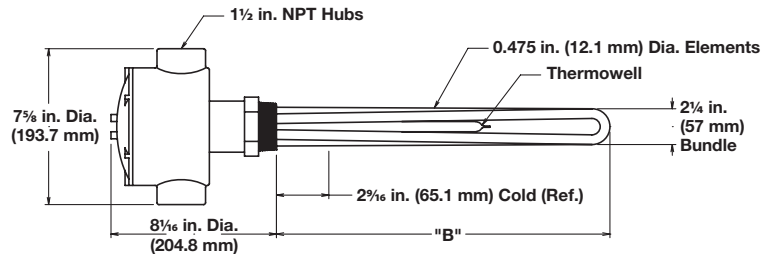
WATROD and FIREBAR Screw Plug Immersion Heaters

Application: Clean Water

- 2 inch NPT screw plug
- WATROD elements
- With thermostat (DPST)

Note: Higher amperage products require a pilot duty thermostat with separate power controller. Please see following pages for available heaters without thermostats.

- Moisture/explosion-resistant enclosure (suitable for use in non-classified areas only)



Description	Volts	kW	Ph	"B" Dim. in. (mm)	Ship Wt. lbs (kg)	Type 4 (30 to 110°F)		Type 5A (60 to 250°F)		Type 7A (100 to 550°F)	
						Part Number	Del.	Part Number	Del.	Part Number	Del.
Moisture/Explosion-Resistant Enclosure ⑤											
60 W/in² ④ 304 SS Plug 2-Alloy 800 Elements (9.3 W/cm²)	120/240	2.0	1	8 ¹ / ₈ (206.4)	8 (4)	BGN78C6C4	RS	BGN78C6C5A	RS	BGN78C6C7A	RS
	240/480	2.0	1	8 ¹ / ₈ (206.4)	8 (4)	BGN78C7C4	RS	BGN78C7C5A	RS	BGN78C7C7A	RS
	120/240	3.0	1	11 ¹ / ₈ (282.6)	9 (4)	BGN711C6C4	RS	BGN711C6C5A	RS	BGN711C6C7A	RS
	240/480	3.0	1	11 ¹ / ₈ (282.6)	9 (4)	BGN711C7C4	RS	BGN711C7C5A	RS	BGN711C7C7A	RS
	120/240	4.0	1	15 ¹ / ₈ (384.2)	10 (5)	BGN715C6C4	RS	BGN715C6C5A	RS	BGN715C6C7A	RS
	120/240	5.0	1	18 ¹ / ₈ (460.4)	10 (5)	BGN718C6C4	RS	BGN718C6C5A	RS	BGN718C6C7A	RS
60 W/in² 304 SS Plug 3-Alloy 800 Elements (9.3 W/cm²)	240	3.0	3	8 ¹ / ₈ (206.4)	9 (4)	BHN78C3C4	RS	BHN78C3C5A	RS	BHN78C3C7A	RS
	480	3.0	3	8 ¹ / ₈ (206.4)	9 (4)	BHN68C13C4	RS	BHN68C13C5A	RS	BHN68C13C7A	RS
	240	4.5	3	11 ¹ / ₈ (282.6)	10 (5)	BHN711C3C4	RS	BHN711C3C5A	RS	BHN711C3C7A	RS
	480	4.5	3	11 ¹ / ₈ (282.6)	10 (5)	BHN611C13C4	RS	BHN611C13C5A	RS	BHN611C13C7A	RS
	240	6.0	3	15 ¹ / ₈ (384.2)	11 (5)	BHN715C3C4	RS	BHN715C3C5A	RS	BHN715C3C7A	RS
	480	6.0	3	15 ¹ / ₈ (384.2)	11 (5)	BHN715C5C4	RS	BHN715C5C5A	RS	BHN715C5C7A	RS
	240	7.5	3	18 ¹ / ₈ (460.4)	11 (5)	BHN718C3C4	RS	BHN718C3C5A	RS	BHN718C3C7A	RS
	240	9.0	3	21 ¹ / ₈ (536.6)	12 (6)	BHN721C3C4	RS	BHN721C3C5A	RS	BHN721C3C7A	RS

RAPID SHIP

- RS - Next day shipment up to 5 pieces

Note: All screw plug bundles are designed to fit the inside diameter of the equivalent mating coupling. They will not fit into the equivalent pipe inside diameter.

- ④ Wired for higher voltage
- ⑤ No third party recognition

Immersion Heaters

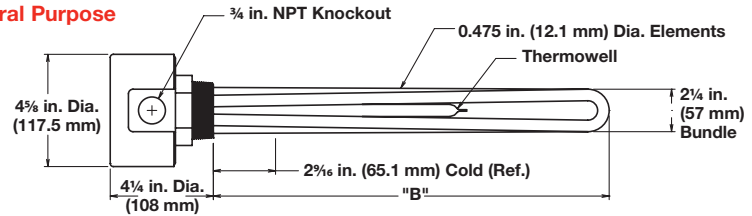
WATROD and FIREBAR Screw Plug Immersion Heaters



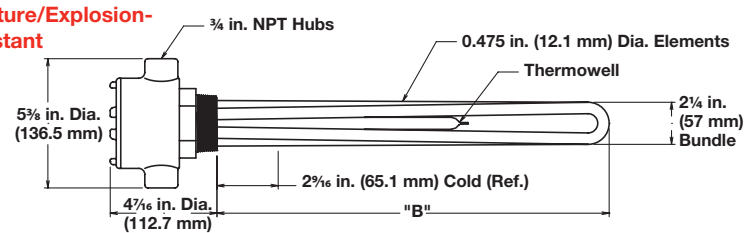
Application: Clean Water

- 2 inch NPT screw plug
- WATROD elements
- Without thermostat
- General purpose or moisture/explosion-resistant enclosure (suitable for use in non-classified areas only)

General Purpose



Moisture/Explosion-Resistant



Description	Volts	kW	Ph	"B" Dim. in. (mm)	Part Number	Del.	Ship Wt. lbs (kg)	Part Number ⑤	Del.	Ship Wt. lbs (kg)
					General Purpose Enclosure			Moisture/Explosion-Resistant Enclosure		
60 W/in ² ④ 304 SS Plug 2-Alloy 800 Elements (9.3 W/cm ²)	120/240	2.0	1	8 ¹ / ₈ (206.4)	BGN78C6S	RS	4 (2)	BGN78C6C	RS	7 (4)
	240/480	2.0	1	8 ¹ / ₈ (206.4)	BGN78C7S	RS	4 (2)	BGN78C7C	RS	7 (4)
	120/240	3.0	1	11 ¹ / ₈ (282.6)	BGN711C6S	RS	5 (3)	BGN711C6C	RS	8 (4)
	240/480	3.0	1	11 ¹ / ₈ (282.6)	BGN711C7S	RS	5 (3)	BGN711C7C	RS	8 (4)
	120/240	4.0	1	15 ¹ / ₈ (384.2)	BGN715C6S	RS	6 (3)	BGN715C6C	RS	9 (4)
	240/480	4.0	1	15 ¹ / ₈ (384.2)	BGN715C7S	RS	6 (3)	BGN715C7C	RS	9 (4)
	120/240	5.0	1	18 ¹ / ₈ (460.4)	BGN718C6S	RS	6 (3)	BGN718C6C	RS	9 (4)
	240/480	5.0	1	18 ¹ / ₈ (460.4)	BGN718C7S	RS	6 (3)	BGN718C7C	RS	9 (4)
	240/480	6.0	1	21 ¹ / ₈ (536.6)	BGN721C7S	RS	7 (4)	BGN721C7C	RS	10 (5)
	240/480	8.0	1	26 ⁵ / ₈ (676.3)	BGN726L7S	RS	7 (4)	BGN726L7C	RS	10 (5)
60 W/in ² 304 SS Plug 3-Alloy 800 Elements (9.3 W/cm ²)	120	3.0	1	8 ¹ / ₈ (206.4)	BHN78C1S	RS	5 (3)	BHN78C1C	RS	8 (4)
	240	3.0	3	8 ¹ / ₈ (206.4)	BHN78C3S	RS	5 (3)	BHN78C3C	RS	8 (4)
	480	3.0	3	8 ¹ / ₈ (206.4)	BHN68C13S	RS	5 (3)	BHN68C13C	RS	8 (4)
	120	4.5	1	11 ¹ / ₈ (282.6)	BHN711C1S	RS	6 (3)	BHN711C1C	RS	9 (4)
	240	4.5	3	11 ¹ / ₈ (282.6)	BHN711C3S	RS	6 (3)	BHN711C3C	RS	9 (4)
	480	4.5	3	11 ¹ / ₈ (282.6)	BHN611C13S	RS	6 (3)	BHN611C13C	RS	9 (4)
	240	6.0	3	15 ¹ / ₈ (384.2)	BHN715C3S	RS	7 (4)	BHN715C3C	RS	10 (5)
	480	6.0	3	15 ¹ / ₈ (384.2)	BHN715C5S	RS	7 (4)	BHN715C5C	RS	10 (5)
	240	7.5	3	18 ¹ / ₈ (460.4)	BHN718C3S	RS	7 (4)	BHN718C3C	RS	10 (5)
	480	7.5	3	18 ¹ / ₈ (460.4)	BHN718C5S	RS	7 (4)	BHN718C5C	RS	10 (5)
	240	9.0	3	21 ¹ / ₈ (536.6)	BHN721C3S	RS	8 (4)	BHN721C3C	RS	11 (5)
	480	9.0	3	21 ¹ / ₈ (536.6)	BHN721C5S	RS	8 (4)	BHN721C5C	RS	11 (5)
	240	12.0	3	26 ⁵ / ₈ (676.3)	BHN726L3S	RS	8 (4)	BHN726L3C	RS	11 (5)
	480	12.0	3	26 ⁵ / ₈ (676.3)	BHN726L5S	RS	8 (4)	BHN726L5C	RS	11 (5)
	240	15.0	3	32 ¹ / ₈ (816.0)	BHN732C3S	RS	9 (4)	BHN732C3C	RS	12 (6)
480	15.0	3	32 ¹ / ₈ (816.0)	BHN732C5S	RS	9 (4)	BHN732C5C	RS	12 (6)	

RAPID SHIP

- RS - Next day shipment up to 5 pieces

Note: All screw plug bundles are designed to fit the inside diameter of the equivalent mating coupling. They will not fit into the equivalent pipe inside diameter.

- ④ Wired for higher voltage
- ⑤ No third party recognition

Immersion Heaters

WATROD and FIREBAR Screw Plug Immersion Heaters



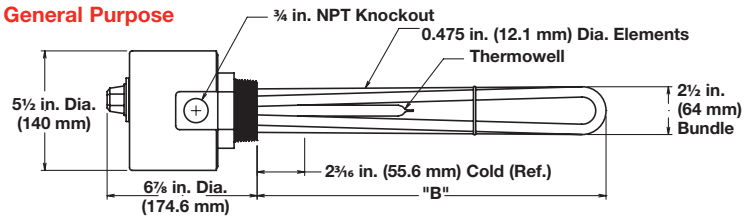
Application: Clean Water

- 2 1/2 inch NPT screw plug
- WATROD elements
- With thermostat (DPST)

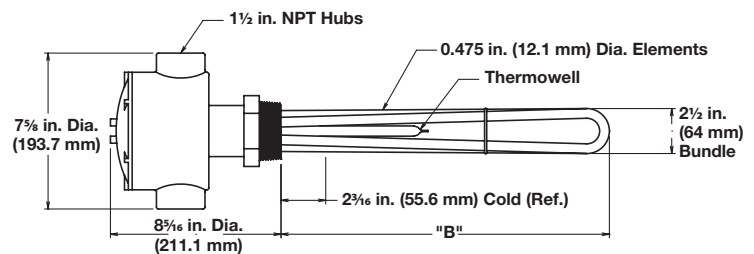
Note: Higher amperage products require a pilot duty thermostat with separate power controller. Please see following pages for available heaters without thermostats.

- General purpose or moisture/explosion-resistant enclosure (suitable for use in non-classified areas only)

General Purpose



Moisture/Explosion-Resistant



Description	Volts	kW	Ph	"B" Dim. in. (mm)	Ship Wt. lbs (kg)	Type 4 (30 to 110°F)		Type 5A (60 to 250°F)		Type 7A (100 to 550°F)	
						Part Number	Del.	Part Number	Del.	Part Number	Del.
General Purpose Enclosure											
60 W/in ² 304 SS Plug 3-Alloy 800 Elements (9.3 W/cm ²)	240	3.0	3	7 ⁵ / ₈ (193.7)	7 (4)	BLN77L3S4	RS	BLN77L3S5A	RS	BLN77L3S7A	RS
	480	3.0	3	7 ⁵ / ₈ (193.7)	7 (4)	BLN77L13S4	RS	BLN77L13S5A	RS	BLN77L13S7A	RS
	240	4.5	3	10 ⁵ / ₈ (269.9)	8 (4)	BLN710L3S4	RS	BLN710L3S5A	RS	BLN710L3S7A	RS
	480	4.5	3	10 ⁵ / ₈ (269.9)	8 (4)	BLN610K13S4	RS	BLN610K13S5A	RS	BLN610K13S7A	RS
	240	6.0	3	14 ⁵ / ₈ (371.5)	10 (5)	BLN714L3S4	RS	BLN714L3S5A	RS	BLN714L3S7A	RS
	480	6.0	3	14 ⁵ / ₈ (371.5)	10 (5)	BLN714L5S4	RS	BLN714L5S5A	RS	BLN714L5S7A	RS
	240	7.5	3	17 ⁵ / ₈ (447.7)	10 (5)	BLN717L3S4	RS	BLN717L3S5A	RS	BLN717L3S7A	RS
	240	9.0	3	20 ⁵ / ₈ (523.9)	12 (6)	BLN720L3S4	RS	BLN720L3S5A	RS	BLN720L3S7A	RS
Moisture/Explosion-Resistant Enclosure ⑤											
60 W/in ² 304 SS Plug 3-Alloy 800 Elements (9.3 W/cm ²)	240	3.0	3	7 ⁵ / ₈ (193.7)	10 (5)	BLN77L3C4	RS	BLN77L3C5A	RS	BLN77L3C7A	RS
	480	3.0	3	7 ⁵ / ₈ (193.7)	10 (5)	BLN77L13C4	RS	BLN77L13C5A	RS	BLN77L13C7A	RS
	240	4.5	3	10 ⁵ / ₈ (269.9)	11 (5)	BLN710L3C4	RS	BLN710L3C5A	RS	BLN710L3C7A	RS
	480	4.5	3	10 ⁵ / ₈ (269.9)	11 (5)	BLN610K13C4	RS	BLN610K13C5A	RS	BLN610K13C7A	RS
	240	6.0	3	14 ⁵ / ₈ (371.5)	13 (6)	BLN714L3C4	RS	BLN714L3C5A	RS	BLN714L3C7A	RS
	480	6.0	3	14 ⁵ / ₈ (371.5)	13 (6)	BLN714L5C4	RS	BLN714L5C5A	RS	BLN714L5C7A	RS
	240	7.5	3	17 ⁵ / ₈ (447.7)	13 (6)	BLN717L3C4	RS	BLN717L3C5A	RS	BLN717L3C7A	RS
	240	9.0	3	20 ⁵ / ₈ (523.9)	15 (7)	BLN720L3C4	RS	BLN720L3C5A	RS	BLN720L3C7A	RS

RAPID SHIP

- RS - Next day shipment up to 5 pieces

Note: All screw plug bundles are designed to fit the inside diameter of the equivalent mating coupling. They will not fit into the equivalent pipe inside diameter.

⑤ No third party recognition

Immersion Heaters

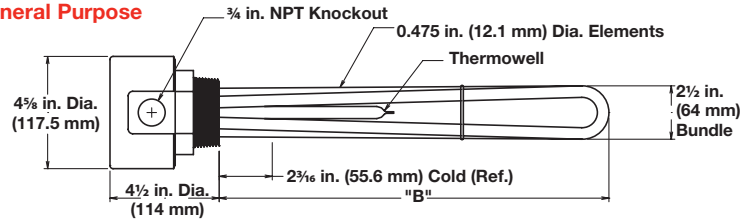
WATROD and FIREBAR Screw Plug Immersion Heaters



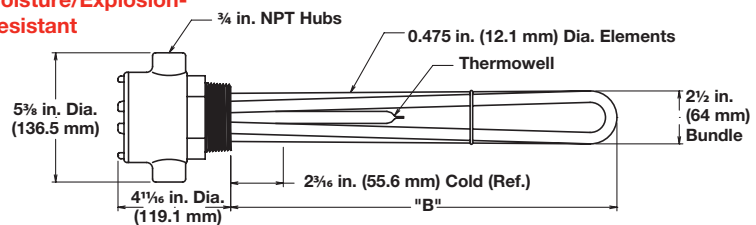
Application: Clean Water

- 2 1/2 inch NPT screw plug
- WATROD elements
- Without thermostat
- General purpose or moisture/explosion-resistant enclosure (suitable for use in non-classified areas only)

General Purpose



Moisture/Explosion-Resistant



Description	Volts	kW	Ph	"B" Dim. in. (mm)	Part Number	Del.	Ship Wt. lbs (kg)	Part Number ⑤	Del.	Ship Wt. lbs (kg)	
60 W/in² 304 SS Plug 3-Alloy 800 Elements (9.3 W/cm²)						General Purpose Enclosure			Moisture/Explosion-Resistant Enclosure		
	120	3.0	1	7 ⁵ / ₈ (193.7)	BLN77L1S	RS	6 (3)	BLN77L1C	RS	9 (4)	
	240	3.0	3	7 ⁵ / ₈ (193.7)	BLN77L3S	RS	6 (3)	BLN77L3C	RS	9 (4)	
	480	3.0	3	7 ⁵ / ₈ (193.7)	BLN77L13S	RS	6 (3)	BLN77L13C	RS	9 (4)	
	120	4.5	1	10 ⁵ / ₈ (269.9)	BLN710L1S	RS	7 (4)	BLN710L1C	RS	10 (5)	
	240	4.5	3	10 ⁵ / ₈ (269.9)	BLN710L3S	RS	7 (4)	BLN710L3C	RS	10 (5)	
	480	4.5	3	10 ⁵ / ₈ (269.9)	BLN610K13S	RS	7 (4)	BLN610K13C	RS	10 (5)	
	240	6.0	3	14 ⁵ / ₈ (371.5)	BLN714L3S	RS	9 (4)	BLN714L3C	RS	12 (6)	
	480	6.0	3	14 ⁵ / ₈ (371.5)	BLN714L5S	RS	9 (4)	BLN714L5C	RS	12 (6)	
	240	7.5	3	17 ⁵ / ₈ (447.7)	BLN717L3S	RS	9 (4)	BLN717L3C	RS	12 (6)	
	480	7.5	3	17 ⁵ / ₈ (447.7)	BLN717L5S	RS	9 (4)	BLN717L5C	RS	12 (6)	
	240	9.0	3	20 ⁵ / ₈ (523.9)	BLN720L3S	RS	11 (5)	BLN720L3C	RS	14 (7)	
	480	9.0	3	20 ⁵ / ₈ (523.9)	BLN720L5S	RS	11 (5)	BLN720L5C	RS	14 (7)	
	240	12.0	3	26 ¹ / ₈ (663.6)	BLN726C3S	RS	12 (6)	BLN726C3C	RS	15 (7)	
	480	12.0	3	26 ¹ / ₈ (663.6)	BLN726C5S	RS	12 (6)	BLN726C5C	RS	15 (7)	
	240	15.0	3	31 ⁵ / ₈ (803.3)	BLN731L3S	RS	14 (7)	BLN731L3C	RS	17 (8)	
	480	15.0	3	31 ⁵ / ₈ (803.3)	BLN731L5S	RS	14 (7)	BLN731L5C	RS	17 (8)	
	240	18.0	3	37 ¹ / ₈ (943.0)	BLN737C3S	RS	15 (7)	BLN737C3C	RS	18 (9)	
480	18.0	3	37 ¹ / ₈ (943.0)	BLN737C5S	RS	15 (7)	BLN737C5C	RS	18 (9)		

RAPID SHIP

- RS - Next day shipment up to 5 pieces

Note: All screw plug bundles are designed to fit the inside diameter of the equivalent mating coupling. They will not fit into the equivalent pipe inside diameter.

⑤ No third party recognition

Immersion Heaters

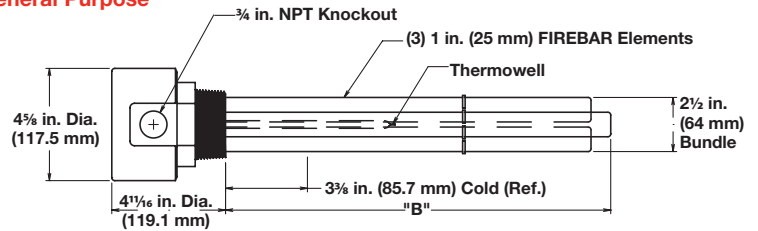
WATROD and FIREBAR Screw Plug Immersion Heaters



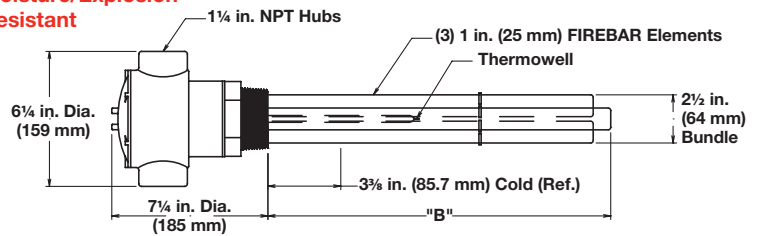
Application: Clean Water

- 2 1/2 inch NPT screw plug
- FIREBAR elements
- Without thermostat
- General purpose or moisture/explosion-resistant enclosure (suitable for use in non-classified areas only)

General Purpose



Moisture/Explosion-Resistant



Description	Volts	kW	Ph	"B" Dim. in. (mm)	General Purpose Enclosure		Moisture/Explosion-Resistant Enclosure			
					Part Number	Del.	Ship Wt. lbs (kg)	Part Number ⑤	Del.	Ship Wt. lbs (kg)
90 W/in² ⑧ 304 SS Plug 3-Alloy 800 Elements (14 W/cm²)	240	15.0	3	15 1/8 (384.2)	BLNF15C3S	RS	11 (5)	BLNF15C3C	RS	14 (7)
	480	15.0	3	15 1/8 (384.2)	BLNF15C5S	RS	11 (5)	BLNF15C5C	RS	14 (7)
	240	20.0	3	18 1/8 (460.4)	BLNF18C3S	RS	12 (6)	BLNF18C3C	RS	15 (7)
	480	20.0	3	18 1/8 (460.4)	BLNF18C5S ③	RS	12 (6)	BLNF18C5C ③	RS	15 (7)
	480	25.0	3	23 1/8 (587.4)	BLNF23C5S	RS	14 (7)	BLNF23C5C	RS	17 (8)
	480	32.0	3	28 5/8 (727.1)	BLNF28L5S	RS	17 (8)	BLNF28L5C	RS	20 (9)
	480	38.0	3	33 5/8 (854.1)	BLNF33L5S	RS	18 (9)	BLNF33L5C	RS	21 (10)

RAPID SHIP

- RS - Next day shipment up to 5 pieces

Note: All screw plug bundles are designed to fit the inside diameter of the equivalent mating coupling. They will not fit into the equivalent pipe inside diameter.

- ③ Wired for 3-phase operation only
- ⑤ No third party recognition
- ⑧ Can be wired for 1-phase operation

Immersion Heaters

WATROD and FIREBAR Screw Plug Immersion Heaters

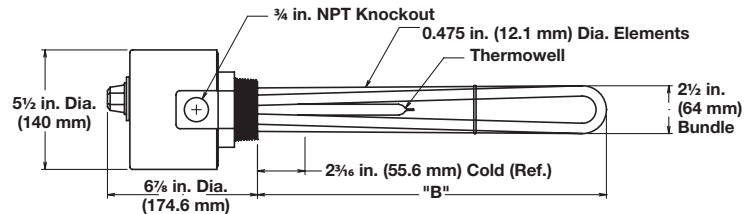


Application: Deionized/ Demineralized Water

- 2 1/2 inch NPT screw plug
- WATROD elements
- With thermostat (DPST)

Note: Higher amperage products require a pilot duty thermostat with separate power controller. Please see following pages for available heaters without thermostats.

- General purpose enclosure



Description	Volts	kW	Ph	"B" Dim. in. (mm)	Ship Wt. lbs (kg)	Type 4 (30 to 110°F)		Type 5A (60 to 250°F)		Type 7A (100 to 550°F)	
						Part Number	Del.	Part Number	Del.	Part Number	Del.
General Purpose Enclosure											
60 W/in² 316 SS Plug 3-316 SS Elements (9.3 W/cm²) (Passivated)	240	3.0	3	7 ⁵ / ₈ (193.7)	7 (4)	BLR77L3S4	RS	BLR77L3S5A	RS	BLR77L3S7A	RS
	480	3.0	3	7 ⁵ / ₈ (193.7)	7 (4)	BLR77L5S4	RS	BLR77L5S5A	RS	BLR77L5S7A	RS
	240	4.5	3	10 ⁵ / ₈ (269.9)	8 (4)	BLR710L3S4	RS	BLR710L3S5A	RS	BLR710L3S7A	RS
	480	4.5	3	10 ⁵ / ₈ (269.9)	8 (4)	BLR710L5S4	RS	BLR710L5S5A	RS	BLR710L5S7A	RS
	240	6.0	3	14 ⁵ / ₈ (371.5)	10 (5)	BLR714L3S4	RS	BLR714L3S5A	RS	BLR714L3S7A	RS
	480	6.0	3	14 ⁵ / ₈ (371.5)	10 (5)	BLR714L5S4	RS	BLR714L5S5A	RS	BLR714L5S7A	RS
	240	7.5	3	17 ⁵ / ₈ (447.7)	10 (5)	BLR717L3S4	RS	BLR717L3S5A	RS	BLR717L3S7A	RS
	240	9.0	3	20 ⁵ / ₈ (523.9)	12 (6)	BLR720L3S4	RS	BLR720L3S5A	RS	BLR720L3S7A	RS

RAPID SHIP

- **RS** - Next day shipment up to 5 pieces

Note: All screw plug bundles are designed to fit the inside diameter of the equivalent mating coupling. They will not fit into the equivalent pipe inside diameter.

Immersion Heaters

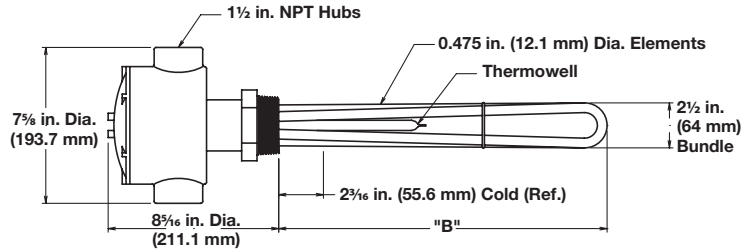
WATROD and FIREBAR Screw Plug Immersion Heaters

Application: Deionized/ Demineralized Water

- 2 1/2 inch NPT screw plug
- WATROD elements
- With thermostat (DPST)

Note: Higher amperage products require a pilot duty thermostat with separate power controller. Please see following pages for available heaters without thermostats.

- Moisture/explosion-resistant enclosure (suitable for use in non-classified areas only)



Description	Volts	kW	Ph	"B" Dim. in. (mm)	Ship Wt. lbs (kg)	Type 4 (30 to 110°F)		Type 5A (60 to 250°F)		Type 7A (100 to 550°F)	
						Part Number	Del.	Part Number	Del.	Part Number	Del.
Moisture/Explosion-Resistant Enclosure ⑤											
60 W/in² 316 SS Plug 3-316 SS Elements (9.3 W/cm²) (Passivated)	240	3.0	3	7 ⁵ / ₈ (193.7)	10 (5)	BLR77L3C4	RS	BLR77L3C5A	RS	BLR77L3C7A	RS
	480	3.0	3	7 ⁵ / ₈ (193.7)	10 (5)	BLR77L5C4	RS	BLR77L5C5A	RS	BLR77L5C7A	RS
	240	4.5	3	10 ⁵ / ₈ (269.9)	11 (5)	BLR710L3C4	RS	BLR710L3C5A	RS	BLR710L3C7A	RS
	480	4.5	3	10 ⁵ / ₈ (269.9)	11 (5)	BLR710L5C4	RS	BLR710L5C5A	RS	BLR710L5C7A	RS
	240	6.0	3	14 ⁵ / ₈ (371.5)	13 (6)	BLR714L3C4	RS	BLR714L3C5A	RS	BLR714L3C7A	RS
	480	6.0	3	14 ⁵ / ₈ (371.5)	13 (6)	BLR714L5C4	RS	BLR714L5C5A	RS	BLR714L5C7A	RS
	240	7.5	3	17 ⁵ / ₈ (447.7)	13 (6)	BLR717L3C4	RS	BLR717L3C5A	RS	BLR717L3C7A	RS
	240	9.0	3	20 ⁵ / ₈ (523.9)	15 (7)	BLR720L3C4	RS	BLR720L3C5A	RS	BLR720L3C7A	RS

RAPID SHIP

- RS - Next day shipment up to 5 pieces

Note: All screw plug bundles are designed to fit the inside diameter of the equivalent mating coupling. They will not fit into the equivalent pipe inside diameter.

⑤ No third party recognition

Immersion Heaters

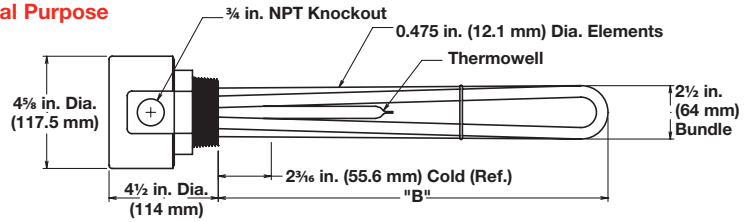
WATROD and FIREBAR Screw Plug Immersion Heaters



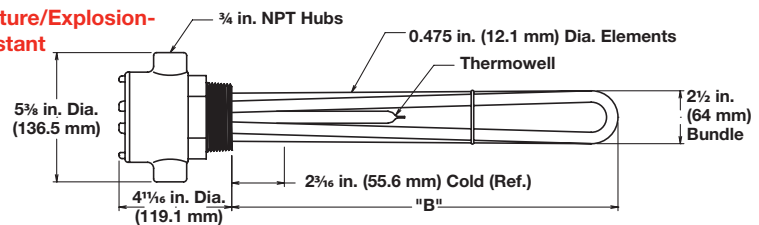
Application: Deionized/ Demineralized Water

- 2 1/2 inch NPT screw plug
- WATROD elements
- Without thermostat
- General purpose or moisture/explosion-resistant enclosure (suitable for use in non-classified areas only)

General Purpose



Moisture/Explosion-Resistant



Description	Volts	kW	Ph	"B" Dim. in. (mm)	General Purpose Enclosure			Moisture/Explosion-Resistant Enclosure		
					Part Number	Del.	Ship Wt. lbs (kg)	Part Number ⑤	Del.	Ship Wt. lbs (kg)
60 W/in ² 316 SS Plug 3-316 SS Elements (9.3 W/cm ²) (Passivated)	120	3.0	1	7 ⁵ / ₈ (193.7)	BLR77L1S	RS	6 (3)	BLR77L1C	RS	9 (4)
	240	3.0	3	7 ⁵ / ₈ (193.7)	BLR77L3S	RS	6 (3)	BLR77L3C	RS	9 (4)
	480	3.0	3	7 ⁵ / ₈ (193.7)	BLR77L5S	RS	6 (3)	BLR77L5C	RS	9 (4)
	120	4.5	1	10 ⁵ / ₈ (269.9)	BLR710L1S	RS	7 (4)	BLR710L1C	RS	10 (5)
	240	4.5	3	10 ⁵ / ₈ (269.9)	BLR710L3S	RS	7 (4)	BLR710L3C	RS	10 (5)
	480	4.5	3	10 ⁵ / ₈ (269.9)	BLR710L5S	RS	7 (4)	BLR710L5C	RS	10 (5)
	240	6.0	3	14 ⁵ / ₈ (371.5)	BLR714L3S	RS	9 (4)	BLR714L3C	RS	12 (6)
	480	6.0	3	14 ⁵ / ₈ (371.5)	BLR714L5S	RS	9 (4)	BLR714L5C	RS	12 (6)
	240	7.5	3	17 ⁵ / ₈ (447.7)	BLR717L3S	RS	9 (4)	BLR717L3C	RS	12 (6)
	480	7.5	3	17 ⁵ / ₈ (447.7)	BLR717L5S	RS	9 (4)	BLR717L5C	RS	12 (6)
	240	9.0	3	20 ⁵ / ₈ (523.9)	BLR720L3S	RS	11 (5)	BLR720L3C	RS	14 (7)
	480	9.0	3	20 ⁵ / ₈ (523.9)	BLR720L5S	RS	11 (5)	BLR720L5C	RS	14 (7)
	240	12.0	3	26 ¹ / ₈ (663.6)	BLR726C3S	RS	12 (6)	BLR726C3C	RS	15 (7)
	480	12.0	3	26 ¹ / ₈ (663.6)	BLR726C5S	RS	12 (6)	BLR726C5C	RS	15 (7)
	240	15.0	3	31 ⁵ / ₈ (803.3)	BLR731L3S	RS	14 (7)	BLR731L3C	RS	17 (8)
	480	15.0	3	31 ⁵ / ₈ (803.3)	BLR731L5S	RS	14 (7)	BLR731L5C	RS	17 (8)
240	18.0	3	37 ¹ / ₈ (943.0)	BLR737C3S	RS	15 (7)	BLR737C3C	RS	18 (9)	
480	18.0	3	37 ¹ / ₈ (943.0)	BLR737C5S	RS	15 (7)	BLR737C5C	RS	18 (9)	

RAPID SHIP

- RS - Next day shipment up to 5 pieces

Note: All screw plug bundles are designed to fit the inside diameter of the equivalent mating coupling. They will not fit into the equivalent pipe inside diameter.

⑤ No third party recognition

Immersion Heaters

WATROD and FIREBAR Screw Plug Immersion Heaters



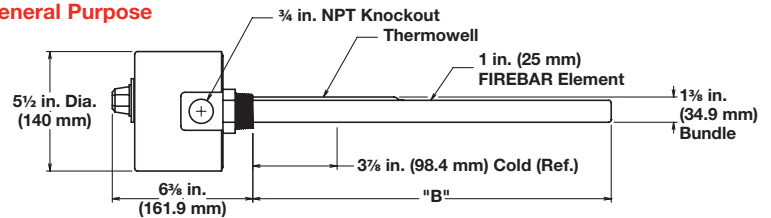
Application: Process Water

- 1 1/4 inch NPT screw plug
- FIREBAR elements
- With thermostat (DPST)

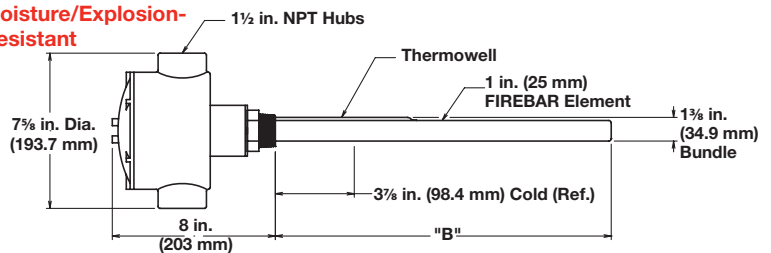
Note: Higher amperage products require a pilot duty thermostat with separate power controller. Please see following pages for available heaters without thermostats.

- General purpose or moisture/explosion-resistant enclosure (suitable for use in non-classified areas only)

General Purpose



Moisture/Explosion-Resistant



Description	Volts	kW	Ph	"B" Dim. in. (mm)	Ship Wt. lbs (kg)	Type 5A (60 to 250°F)		Type 7A (100 to 550°F)		
						Part Number	Del.	Part Number	Del.	
General Purpose Enclosure										
45 W/in ² Ⓢ 304 SS Plug 1-Alloy 800 Element (7 W/cm ²)	240	2.0	3	13 (330)	7 (4)	BDNF13A27S5A	RS	BDNF13A27S7A	RS	
	240	2.5	3	15 1/2 (394)	8 (4)	BDNF15J27S5A	RS	BDNF15J27S7A	RS	
	240	3.0	3	18 (457)	9 (4)	BDNF18A27S5A	RS	BDNF18A27S7A	RS	
	240	4.0	3	22 1/2 (572)	10 (5)	BDNF22J27S5A	RS	BDNF22J27S7A	RS	
	480	4.0	3	22 1/2 (572)	10 (5)	BDNF22J28S5A	RS	BDNF22J28S7A	RS	
	240	5.0	3	27 1/2 (699)	11 (5)	BDNF27J27S5A	RS	BDNF27J27S7A	RS	
	480	5.0	3	27 1/2 (699)	11 (5)	BDNF27J28S5A	RS	BDNF27J28S7A	RS	
	240	6.0	3	32 1/2 (826)	12 (6)	BDNF32J27S5A	RS	BDNF32J27S7A	RS	
	480	6.0	3	32 1/2 (826)	12 (6)	BDNF32J28S5A	RS	BDNF32J28S7A	RS	
	240	8.0	3	42 (1067)	14 (7)	BDNF42A27S5A	RS	BDNF42A27S7A	RS	
	240	10.0	3	51 1/2 (1308)	16 (8)	BDNF51J27S5A	RS	BDNF51J27S7A	RS	
	Moisture/Explosion-Resistant Enclosure ⑤									
45 W/in ² Ⓢ 304 SS Plug 1-Alloy 800 Element (7 W/cm ²)	240	2.0	3	13 (330)	10 (5)	BDNF13A27C5A	RS	BDNF13A27C7A	RS	
	240	2.5	3	15 1/2 (394)	11 (5)	BDNF15J27C5A	RS	BDNF15J27C7A	RS	
	240	3.0	3	18 (457)	12 (6)	BDNF18A27C5A	RS	BDNF18A27C7A	RS	
	240	4.0	3	22 1/2 (572)	13 (6)	BDNF22J27C5A	RS	BDNF22J27C7A	RS	
	480	4.0	3	22 1/2 (572)	13 (6)	BDNF22J28C5A	RS	BDNF22J28C7A	RS	
	240	5.0	3	27 1/2 (699)	14 (7)	BDNF27J27C5A	RS	BDNF27J27C7A	RS	
	480	5.0	3	27 1/2 (699)	14 (7)	BDNF27J28C5A	RS	BDNF27J28C7A	RS	
	240	6.0	3	32 1/2 (826)	15 (7)	BDNF32J27C5A	RS	BDNF32J27C7A	RS	
	480	6.0	3	32 1/2 (826)	15 (7)	BDNF32J28C5A	RS	BDNF32J28C7A	RS	
	240	8.0	3	42 (1067)	17 (8)	BDNF42A27C5A	RS	BDNF42A27C7A	RS	
	240	10.0	3	51 1/2 (1308)	19 (9)	BDNF51J27C5A	RS	BDNF51J27C7A	RS	

RAPID SHIP

- RS - Next day shipment up to 5 pieces

Note: All screw plug bundles are designed to fit the inside diameter of the equivalent mating coupling. They will not fit into the equivalent pipe inside diameter.

- ⑤ No third party recognition
- ⑧ Can be wired for 1-phase operation

Immersion Heaters

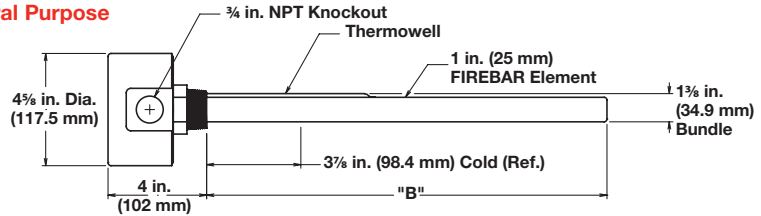
WATROD and FIREBAR Screw Plug Immersion Heaters



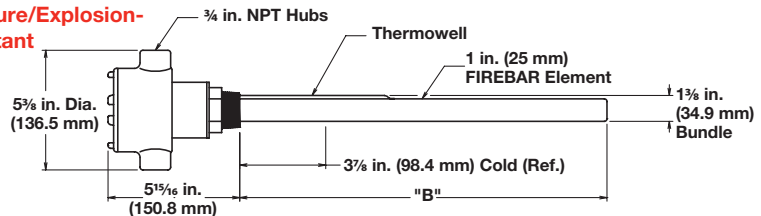
Application: Process Water

- 1 1/4 inch NPT screw plug
- FIREBAR elements
- Without thermostat
- General purpose or moisture/explosion-resistant enclosures (suitable for use in non-classified areas only)

General Purpose



Moisture/Explosion-Resistant



Description	Volts	kW	Ph	"B" Dim. in. (mm)	Part Number	Del.	Ship Wt. lbs (kg)	Part Number ⑤	Del.	Ship Wt. lbs (kg)	
					General Purpose Enclosure			Moisture/Explosion-Resistant Enclosure			
45 W/in ² ⑥ 304 SS Plug 1-Alloy 800 Element (7 W/cm ²)	240	2.0	3	13 (330)	BDNF13A27S	RS	6 (3)	BDNF13A27C	RS	9 (4)	
	240	2.5	3	15 1/2 (394)	BDNF15J27S	RS	7 (4)	BDNF15J27C	RS	10 (5)	
	240	3.0	3	18 (457)	BDNF18A27S	RS	8 (4)	BDNF18A27C	RS	11 (5)	
	240	4.0	3	22 1/2 (572)	BDNF22J27S	RS	9 (4)	BDNF22J27C	RS	12 (6)	
	480	4.0	3	22 1/2 (572)	BDNF22J28S	RS	9 (4)	BDNF22J28C	RS	12 (6)	
	240	5.0	3	27 1/2 (699)	BDNF27J27S	RS	10 (5)	BDNF27J27C	RS	13 (6)	
	480	5.0	3	27 1/2 (699)	BDNF27J28S	RS	10 (5)	BDNF27J28C	RS	13 (6)	
	240	6.0	3	32 1/2 (826)	BDNF32J27S	RS	11 (5)	BDNF32J27C	RS	14 (7)	
	480	6.0	3	32 1/2 (826)	BDNF32J28S	RS	11 (5)	BDNF32J28C	RS	14 (7)	
	240	8.0	3	42 (1067)	BDNF42A27S	RS	13 (6)	BDNF42A27C	RS	16 (8)	
	480	8.0	3	42 (1067)	BDNF42A28S	RS	13 (6)	BDNF42A28C	RS	16 (8)	
	240	10.0	3	51 1/2 (1308)	BDNF51J27S	RS	15 (7)	BDNF51J27C	RS	18 (9)	
	480	10.0	3	51 1/2 (1308)	BDNF51J28S	RS	15 (7)	BDNF51J28C	RS	18 (9)	

RAPID SHIP

- RS - Next day shipment up to 5 pieces

Note: All screw plug bundles are designed to fit the inside diameter of the equivalent mating coupling. They will not fit into the equivalent pipe inside diameter.

⑤ No third party recognition

⑥ Can be wired for 1-phase operation

Immersion Heaters

WATROD and FIREBAR Screw Plug Immersion Heaters

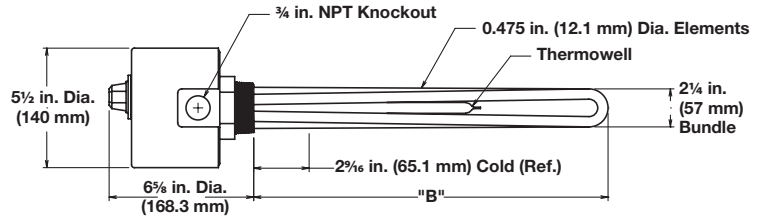


Application: Process Water

- 2 inch NPT screw plug
- WATROD elements
- With thermostat (DPST)

Note: Higher amperage products require a pilot duty thermostat with separate power controller. Please see following pages for available heaters without thermostats.

- General purpose enclosure



Description	Volts	kW	Ph	"B" Dim. in. (mm)	Ship Wt. lbs (kg)	Type 4 (30 to 110°F)		Type 5A (60 to 250°F)		Type 7A (100 to 550°F)	
						Part Number	Del.	Part Number	Del.	Part Number	Del.
General Purpose Enclosure											
48 W/in² ④ 304 SS Plug 2-Alloy 800 Elements (7.5 W/cm²)	120/240	2.0	1	9 ³ / ₄ (248)	5 (3)	BGN79N6S4	RS	BGN79N6S5A	RS	BGN79N6S7	RS
	240/480	2.0	1	9 ³ / ₄ (248)	5 (3)	BGN79N7S4	RS	BGN79N7S5A	RS	BGN79N7S7A	RS
	120/240	3.0	1	13 ¹ / ₄ (337)	6 (3)	BGN713E6S4	RS	BGN713E6S5A	RS	BGN713E6S7A	RS
	240/480	3.0	1	13 ¹ / ₄ (337)	6 (3)	BGN713E7S4	RS	BGN713E7S5A	RS	BGN713E7S7A	RS
	120/240	4.0	1	17 ³ / ₄ (451)	7 (4)	BGN717N6S4	RS	BGN717N6S5A	RS	BGN717N6S7A	RS
	120/240	5.0	1	20 ¹ / ₄ (514)	8 (4)	BGN720E6S4	RS	BGN720E6S5A	RS	BGN720E6S7A	RS
48 W/in² 304 SS Plug 3-Alloy 800 Elements (7.5 W/cm²)	240	3.0	3	9 ³ / ₄ (248)	6 (3)	BHN79N3S4	RS	BHN79N3S5A	RS	BHN79N3S7A	RS
	480	3.0	3	9 ³ / ₄ (248)	6 (3)	BHN79N5S4	RS	BHN79N5S5A	RS	BHN79N5S7A	RS
	240	4.5	3	13 ¹ / ₄ (337)	7 (4)	BHN713E3S4	RS	BHN713E3S5A	RS	BHN713E3S7A	RS
	480	4.5	3	13 ¹ / ₄ (337)	7 (4)	BHN713E5S4	RS	BHN713E5S5A	RS	BHN713E5S7A	RS
	240	6.0	3	17 ³ / ₄ (451)	8 (4)	BHN717N3S4	RS	BHN717N3S5A	RS	BHN717N3S7A	RS
	480	6.0	3	17 ³ / ₄ (451)	8 (4)	BHN717N5S4	RS	BHN717N5S5A	RS	BHN717N5S7A	RS
	240	7.5	3	20 ¹ / ₄ (514)	9 (4)	BHN720E3S4	RS	BHN720E3S5A	RS	BHN720E3S7A	RS
	240	9.0	3	25 ¹ / ₄ (641)	10 (5)	BHN725E3S4	RS	BHN725E3S5A	RS	BHN725E3S7A	RS

RAPID SHIP

- RS - Next day shipment up to 5 pieces

Note: All screw plug bundles are designed to fit the inside diameter of the equivalent mating coupling. They will not fit into the equivalent pipe inside diameter.

- ④ Wired for higher voltage

Immersion Heaters

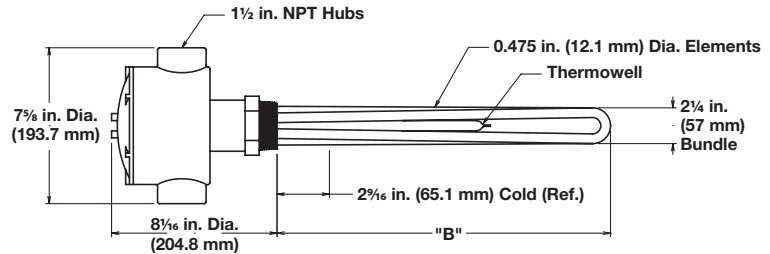
WATROD and FIREBAR Screw Plug Immersion Heaters

Application: Process Water

- 2 inch NPT screw plug
- WATROD elements
- With thermostat (DPST)

Note: Higher amperage products require a pilot duty thermostat with separate power controller. Please see following pages for available heaters without thermostats.

- Moisture/explosion-resistant enclosure (suitable for use in non-classified areas only)



Description	Volts	kW	Ph	"B" Dim. in. (mm)	Ship Wt. lbs (kg)	Type 4 (30 to 110°F)		Type 5A (60 to 250°F)		Type 7A (100 to 550°F)	
						Part Number	Del.	Part Number	Del.	Part Number	Del.
Moisture/Explosion-Resistant Enclosure ⑤											
48 W/in² ④ 304 SS Plug 2-Alloy 800 Elements (7.5 W/cm²)	120/240	2.0	1	9 ³ / ₄ (248)	8 (4)	BGN79N6C4	RS	BGN79N6C5A	RS	BGN79N6C7A	RS
	240/480	2.0	1	9 ³ / ₄ (248)	8 (4)	BGN79N7C4	RS	BGN79N7C5A	RS	BGN79N7C7A	RS
	120/240	3.0	1	13 ¹ / ₄ (337)	9 (4)	BGN713E6C4	RS	BGN713E6C5A	RS	BGN713E6C7A	RS
	240/480	3.0	1	13 ¹ / ₄ (337)	9 (4)	BGN713E7C4	RS	BGN713E7C5A	RS	BGN713E7C7A	RS
	120/240	4.0	1	17 ³ / ₄ (451)	10 (5)	BGN717N6C4	RS	BGN717N6C5A	RS	BGN717N6C7A	RS
	120/240	5.0	1	20 ¹ / ₄ (514)	11 (5)	BGN720E6C4	RS	BGN720E6C5A	RS	BGN720E6C7A	RS
48 W/in² 304 SS Plug 3-Alloy 800 Elements (7.5 W/cm²)	240	3.0	3	9 ³ / ₄ (248)	9 (4)	BHN79N3C4	RS	BHN79N3C5A	RS	BHN79N3C7A	RS
	480	3.0	3	9 ³ / ₄ (248)	9 (4)	BHN79N5C4	RS	BHN79N5C5A	RS	BHN79N5C7A	RS
	240	4.5	3	13 ¹ / ₄ (337)	10 (5)	BHN713E3C4	RS	BHN713E3C5A	RS	BHN713E3C7A	RS
	480	4.5	3	13 ¹ / ₄ (337)	10 (5)	BHN713E5C4	RS	BHN713E5C5A	RS	BHN713E5C7A	RS
	240	6.0	3	17 ³ / ₄ (451)	11 (5)	BHN717N3C4	RS	BHN717N3C5A	RS	BHN717N3C7A	RS
	480	6.0	3	17 ³ / ₄ (451)	11 (5)	BHN717N5C4	RS	BHN717N5C5A	RS	BHN717N5C7A	RS
	240	7.5	3	20 ¹ / ₄ (514)	12 (6)	BHN720E3C4	RS	BHN720E3C5A	RS	BHN720E3C7A	RS
	240	9.0	3	25 ¹ / ₄ (641)	13 (6)	BHN725E3C4	RS	BHN725E3C5A	RS	BHN725E3C7A	RS

RAPID SHIP

- RS - Next day shipment up to 5 pieces

Note: All screw plug bundles are designed to fit the inside diameter of the equivalent mating coupling. They will not fit into the equivalent pipe inside diameter.

- ④ Wired for higher voltage
- ⑤ No third party recognition

Immersion Heaters

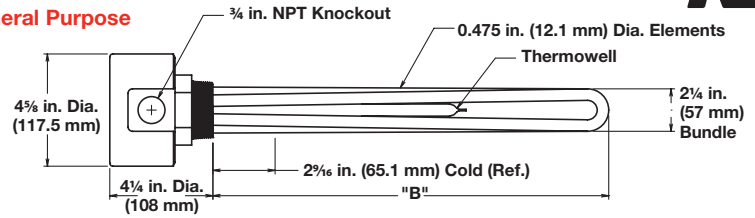


WATROD and FIREBAR Screw Plug Immersion Heaters

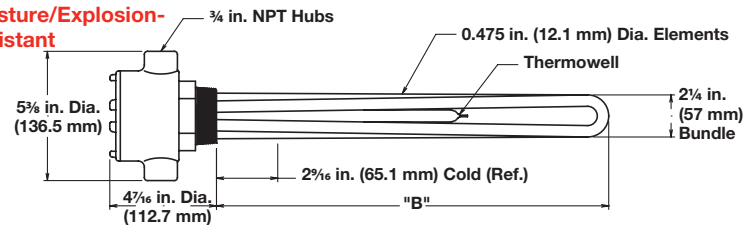
Application: Process Water

- 2 inch NPT screw plug
- WATROD elements
- Without thermostat
- General purpose or moisture/explosion-resistant enclosure (suitable for use in non-classified areas only)

General Purpose



Moisture/Explosion-Resistant



Description	Volts	kW	Ph	"B" Dim. in. (mm)	Part Number	Del.	Ship Wt. lbs (kg)	Part Number ⑤	Del.	Ship Wt. lbs (kg)	
					General Purpose Enclosure			Moisture/Explosion-Resistant Enclosure			
48 W/in² ④ 304 SS Plug 2-Alloy 800 Elements (7.5 W/cm²)	120/240	2.0	1	9 ³ / ₄ (248)	BGN79N6S	RS	4 (2)	BGN79N6C	RS	7 (4)	
	240/480	2.0	1	9 ³ / ₄ (248)	BGN79N7S	RS	4 (2)	BGN79N7C	RS	7 (4)	
	120/240	3.0	1	13 ¹ / ₄ (337)	BGN713E6S	RS	5 (3)	BGN713E6C	RS	8 (4)	
	240/480	3.0	1	13 ¹ / ₄ (337)	BGN713E7S	RS	5 (3)	BGN713E7C	RS	8 (4)	
	120/240	4.0	1	17 ³ / ₄ (451)	BGN717N6S	RS	6 (3)	BGN717N6C	RS	9 (4)	
	240/480	4.0	1	17 ³ / ₄ (451)	BGN717N7S	RS	6 (3)	BGN717N7C	RS	9 (4)	
	120/240	5.0	1	20 ¹ / ₄ (514)	BGN720E6S	RS	7 (4)	BGN720E6C	RS	10 (5)	
	240/480	5.0	1	20 ¹ / ₄ (514)	BGN720E7S	RS	7 (4)	BGN720E7C	RS	10 (5)	
	240/480	6.0	1	25 ¹ / ₄ (641)	BGN725E7S	RS	7 (4)	BGN725E7C	RS	10 (5)	
	240/480	8.0	1	32 ³ / ₄ (832)	BGN732N7S	RS	8 (4)	BGN732N7C	RS	11 (5)	
240/480	10.0	1	40 ¹ / ₄ (1022)	BGN740E7S	RS	9 (4)	BGN740E7C	RS	12 (6)		
48 W/in² 304 SS Plug 3-Alloy 800 Element (7.5 W/cm²)	120	3.0	1	9 ³ / ₄ (248)	BHN79N1S	RS	5 (3)	BHN79N1C	RS	8 (4)	
	240	3.0	3	9 ³ / ₄ (248)	BHN79N3S	RS	5 (3)	BHN79N3C	RS	8 (4)	
	480	3.0	3	9 ³ / ₄ (248)	BHN79N5S	RS	5 (3)	BHN79N5C	RS	8 (4)	
	120	4.5	1	13 ¹ / ₄ (337)	BHN713E1S	RS	6 (3)	BHN713E1C	RS	9 (4)	
	240	4.5	3	13 ¹ / ₄ (337)	BHN713E3S	RS	6 (3)	BHN713E3C	RS	9 (4)	
	480	4.5	3	13 ¹ / ₄ (337)	BHN713E5S	RS	6 (3)	BHN713E5C	RS	9 (4)	
	240	6.0	3	17 ³ / ₄ (451)	BHN717N3S	RS	7 (4)	BHN717N3C	RS	10 (5)	
	480	6.0	3	17 ³ / ₄ (451)	BHN717N5S	RS	7 (4)	BHN717N5C	RS	10 (5)	
	240	7.5	3	20 ¹ / ₄ (514)	BHN720E3S	RS	8 (4)	BHN720E3C	RS	11 (5)	
	480	7.5	3	20 ¹ / ₄ (514)	BHN720E5S	RS	8 (4)	BHN720E5C	RS	11 (5)	
	240	9.0	3	25 ¹ / ₄ (641)	BHN725E3S	RS	9 (4)	BHN725E3C	RS	12 (6)	
	480	9.0	3	25 ¹ / ₄ (641)	BHN725E5S	RS	9 (4)	BHN725E5C	RS	12 (6)	
	240	12.0	3	32 ³ / ₄ (832)	BHN732N3S	RS	9 (4)	BHN732N3C	RS	12 (6)	
	480	12.0	3	32 ³ / ₄ (832)	BHN732N5S	RS	9 (4)	BHN732N5C	RS	12 (6)	
	240	15.0	3	40 ¹ / ₄ (1022)	BHN740E3S	RS	10 (5)	BHN740E3C	RS	13 (6)	
	480	15.0	3	40 ¹ / ₄ (1022)	BHN740E5S	RS	10 (5)	BHN740E5C	RS	13 (6)	
	240	18.0	3	47 ³ / ₄ (1213)	BHN747N3S	RS	11 (5)	BHN747N3C	RS	14 (7)	
480	18.0	3	47 ³ / ₄ (1213)	BHN747N5S	RS	11 (5)	BHN747N5C	RS	14 (7)		

RAPID SHIP

- RS - Next day shipment up to 5 pieces

Note: All screw plug bundles are designed to fit the inside diameter of the equivalent mating coupling. They will not fit into the equivalent pipe inside diameter.

- ④ Wired for higher voltage
- ⑤ No third party recognition

Immersion Heaters

WATROD and FIREBAR Screw Plug Immersion Heaters



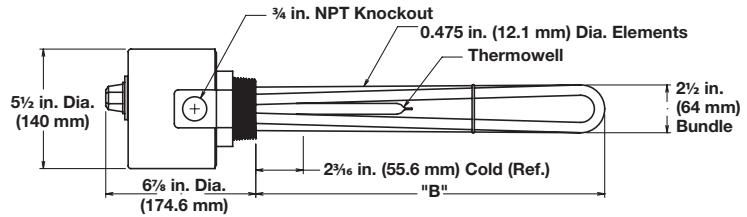
Application: Process Water

- 2 1/2 inch NPT screw plug
- WATROD elements
- With thermostat (DPST)

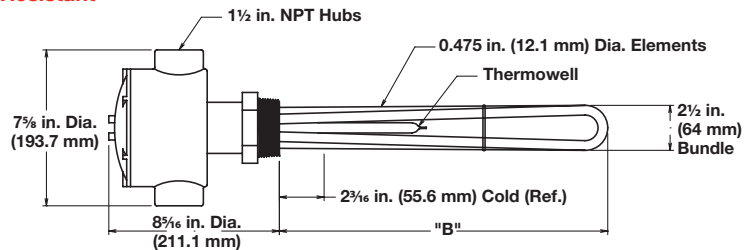
Note: Higher amperage products require a pilot duty thermostat with separate power controller. Please see following pages for available heaters without thermostats.

- General purpose or moisture/explosion-resistant enclosure (suitable for use in non-classified areas only)

General Purpose



Moisture/Explosion-Resistant



Description	Volts	kW	Ph	"B" Dim. in. (mm)	Ship Wt. lbs (kg)	Type 4 (30 to 110°F)		Type 5A (60 to 250°F)		Type 7A (100 to 550°F)	
						Part Number	Del.	Part Number	Del.	Part Number	Del.
General Purpose Enclosure											
48 W/in ² 304 SS Plug 3-Alloy 800 Elements (7.5 W/cm ²)	240	3.0	3	9 ³ / ₈ (238.1)	7 (4)	BLN79G3S4	RS	BLN79G3S5A	RS	BLN79G3S7A	RS
	480	3.0	3	9 ³ / ₈ (238.1)	7 (4)	BLN79G5S4	RS	BLN79G5S5A	RS	BLN79G5S7A	RS
	240	4.5	3	12 ⁷ / ₈ (327.0)	8 (4)	BLN712R3S4	RS	BLN712R3S5A	RS	BLN712R3S7A	RS
	480	4.5	3	12 ⁷ / ₈ (327.0)	8 (4)	BLN712R5S4	RS	BLN712R5S5A	RS	BLN712R5S7A	RS
	240	6.0	3	17 ³ / ₈ (441.3)	10 (5)	BLN717G3S4	RS	BLN717G3S5A	RS	BLN717G3S7A	RS
	480	6.0	3	17 ³ / ₈ (441.3)	10 (5)	BLN717G5S4	RS	BLN717G5S5A	RS	BLN717G5S7A	RS
	240	7.5	3	19 ⁷ / ₈ (504.8)	12 (6)	BLN719R3S4	RS	BLN719R3S5A	RS	BLN719R3S7A	RS
	240	9.0	3	24 ⁷ / ₈ (631.8)	13 (6)	BLN724R3S4	RS	BLN724R3S5A	RS	BLN724R3S7A	RS
Moisture/Explosion-Resistant Enclosure ⑤											
48 W/in ² 304 SS Plug 3-Alloy 800 Elements (7.5 W/cm ²)	240	3.0	3	9 ³ / ₈ (238.1)	10 (5)	BLN79G3C4	RS	BLN79G3C5A	RS	BLN79G3C7A	RS
	480	3.0	3	9 ³ / ₈ (238.1)	10 (5)	BLN79G5C4	RS	BLN79G5C5A	RS	BLN79G5C7A	RS
	240	4.5	3	12 ⁷ / ₈ (327.0)	11 (5)	BLN712R3C4	RS	BLN712R3C5A	RS	BLN712R3C7A	RS
	480	4.5	3	12 ⁷ / ₈ (327.0)	11 (5)	BLN712R5C4	RS	BLN712R5C5A	RS	BLN712R5C7A	RS
	240	6.0	3	17 ³ / ₈ (441.3)	13 (6)	BLN717G3C4	RS	BLN717G3C5A	RS	BLN717G3C7A	RS
	480	6.0	3	17 ³ / ₈ (441.3)	13 (6)	BLN717G5C4	RS	BLN717G5C5A	RS	BLN717G5C7A	RS
	240	7.5	3	19 ⁷ / ₈ (504.8)	15 (7)	BLN719R3C4	RS	BLN719R3C5A	RS	BLN719R3C7A	RS
	240	9.0	3	24 ⁷ / ₈ (631.8)	16 (8)	BLN724R3C4	RS	BLN724R3C5A	RS	BLN724R3C7A	RS

RAPID SHIP

- RS - Next day shipment up to 5 pieces

Note: All screw plug bundles are designed to fit the inside diameter of the equivalent mating coupling. They will not fit into the equivalent pipe inside diameter.

⑤ No third party recognition

Immersion Heaters

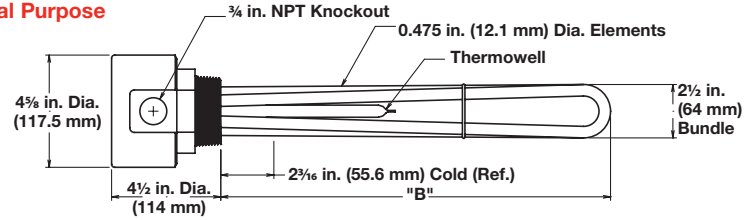
WATROD and FIREBAR Screw Plug Immersion Heaters



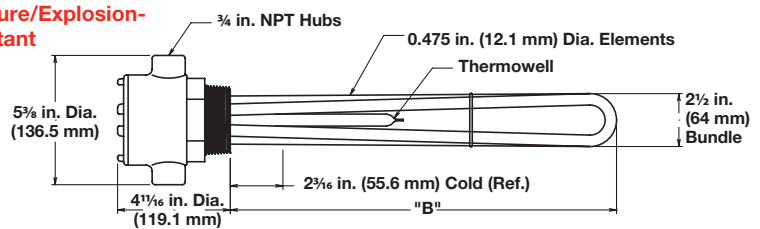
Application: Process Water

- 2 1/2 inch NPT screw plug
- WATROD elements
- Without thermostat
- General purpose or moisture/explosion-resistant enclosure (suitable for use in non-classified areas only)

General Purpose



Moisture/Explosion-Resistant



Description	Volts	kW	Ph	"B" Dim. in. (mm)	Part Number	Del.	Ship Wt. lbs (kg)	Part Number ⑤	Del.	Ship Wt. lbs (kg)
48 W/in² 304 SS Plug 3-Alloy 800 Elements (7.5 W/cm²)	General Purpose Enclosure					Moisture/Explosion-Resistant Enclosure				
	120	3.0	1	9 ³ / ₈ (238.1)	BLN79G1S	RS	6 (3)	BLN79G1C	RS	9 (4)
	240	3.0	3	9 ³ / ₈ (238.1)	BLN79G3S	RS	6 (3)	BLN79G3C	RS	9 (4)
	480	3.0	3	9 ³ / ₈ (238.1)	BLN79G5S	RS	6 (3)	BLN79G5C	RS	9 (4)
	120	4.5	1	12 ⁷ / ₈ (327.0)	BLN712R1S	RS	7 (4)	BLN712R1C	RS	10 (5)
	240	4.5	3	12 ⁷ / ₈ (327.0)	BLN712R3S	RS	7 (4)	BLN712R3C	RS	10 (5)
	480	4.5	3	12 ⁷ / ₈ (327.0)	BLN712R5S	RS	7 (4)	BLN712R5C	RS	10 (5)
	240	6.0	3	17 ³ / ₈ (441.3)	BLN717G3S	RS	9 (4)	BLN717G3C	RS	12 (6)
	480	6.0	3	17 ³ / ₈ (441.3)	BLN717G5S	RS	9 (4)	BLN717G5C	RS	12 (6)
	240	7.5	3	19 ⁷ / ₈ (504.8)	BLN719R3S	RS	11 (5)	BLN719R3C	RS	14 (7)
	480	7.5	3	19 ⁷ / ₈ (504.8)	BLN719R5S	RS	11 (5)	BLN719R5C	RS	14 (7)
	240	9.0	3	24 ⁷ / ₈ (631.8)	BLN724R3S	RS	12 (6)	BLN724R3C	RS	15 (7)
	480	9.0	3	24 ⁷ / ₈ (631.8)	BLN724R5S	RS	12 (6)	BLN724R5C	RS	15 (7)
	240	12.0	3	32 ³ / ₈ (822.3)	BLN732G3S	RS	14 (7)	BLN732G3C	RS	17 (8)
	480	12.0	3	32 ³ / ₈ (822.3)	BLN732G5S	RS	14 (7)	BLN732G5C	RS	17 (8)
	240	15.0	3	39 ⁷ / ₈ (1012.8)	BLN739R3S	RS	15 (7)	BLN739R3C	RS	18 (9)
480	15.0	3	39 ⁷ / ₈ (1012.8)	BLN739R5S	RS	15 (7)	BLN739R5C	RS	18 (9)	
240	18.0	3	47 ³ / ₈ (1203.3)	BLN747G3S	RS	17 (8)	BLN747G3C	RS	20 (9)	
480	18.0	3	47 ³ / ₈ (1203.3)	BLN747G5S	RS	17 (8)	BLN747G5C	RS	20 (9)	

RAPID SHIP

- RS - Next day shipment up to 5 pieces

Note: All screw plug bundles are designed to fit the inside diameter of the equivalent mating coupling. They will not fit into the equivalent pipe inside diameter.

⑤ No third party recognition

Immersion Heaters

WATROD and FIREBAR Screw Plug Immersion Heaters



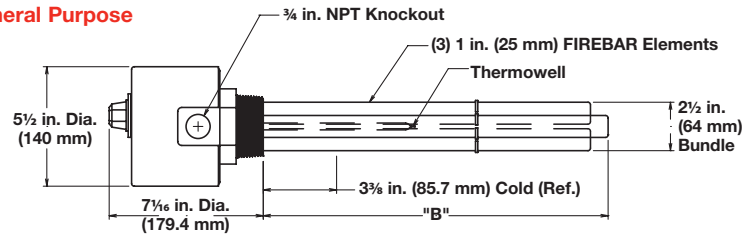
Application: Process Water

- 2 1/2 inch NPT screw plug
- FIREBAR elements
- With thermostat (DPST)

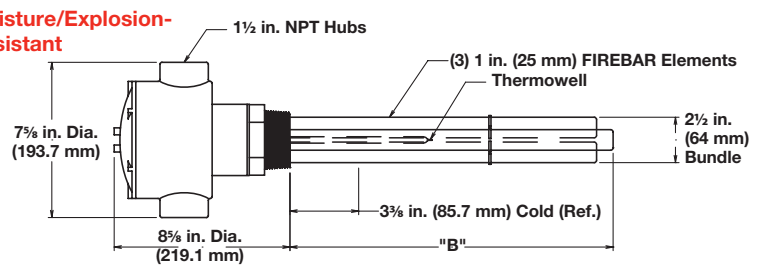
Note: Higher amperage products require a pilot duty thermostat with separate power controller. Please see following pages for available heaters without thermostats.

- General purpose or moisture/explosion-resistant enclosure (suitable for use in non-classified areas only)

General Purpose



Moisture/Explosion-Resistant



Description	Volts	kW	Ph	"B" Dim. in. (mm)		Ship Wt. lbs (kg)	Type 5A (60 to 250°F)		Type 7A (100 to 550°F)	
							Part Number	Del.	Part Number	Del.
General Purpose Enclosure										
45 W/in² ⑧ 304 SS Plug 3-Alloy 800 Elements (7 W/cm²)	240	6.0	3	12	(305)	12 (6)	BLNF12A27S5A	RS	BLNF12A27S7A	RS
	240	7.5	3	14 1/2	(368)	12 (6)	BLNF14J27S5A	RS	BLNF14J27S7A	RS
	240	9.0	3	17	(432)	13 (6)	BLNF17A27S5A	RS	BLNF17A27S7A	RS
	240	12.0	3	21 1/2	(546)	15 (7)	BLNF21J27S5A	RS	BLNF21J27S7A	RS
Moisture/Explosion-Resistant Enclosure ⑤										
45 W/in² ⑧ 304 SS Plug 3-Alloy 800 Elements (7 W/cm²)	240	6.0	3	12	(305)	14 (7)	BLNF12A27C5A	RS	BLNF12A27C7A	RS
	240	7.5	3	14 1/2	(368)	15 (7)	BLNF14J27C5A	RS	BLNF14J27C7A	RS
	240	9.0	3	17	(432)	16 (8)	BLNF17A27C5A	RS	BLNF17A27C7A	RS
	240	12.0	3	21 1/2	(546)	18 (9)	BLNF21J27C5A	RS	BLNF21J27C7A	RS

RAPID SHIP

- RS - Next day shipment up to 5 pieces

Note: All screw plug bundles are designed to fit the inside diameter of the equivalent mating coupling. They will not fit into the equivalent pipe inside diameter.

- ⑤ No third party recognition
- ⑧ Can be wired for 1-phase operation

Immersion Heaters

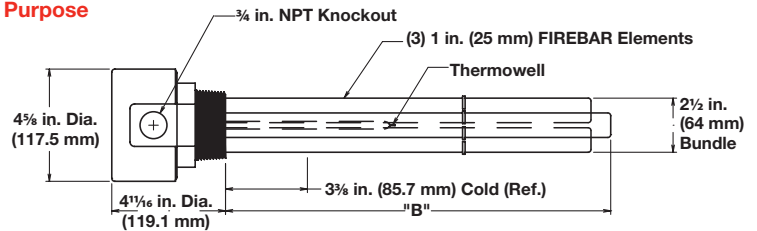
WATROD and FIREBAR Screw Plug Immersion Heaters



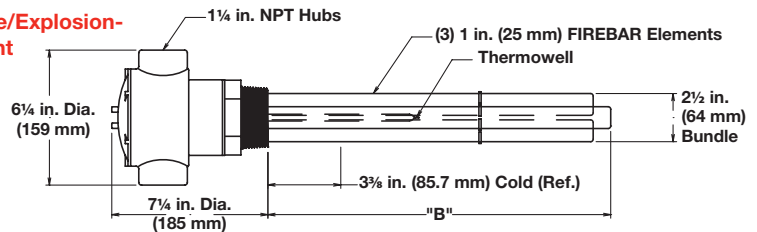
Application: Process Water

- 2 1/2 inch NPT screw plug
- FIREBAR elements
- Without thermostat
- General purpose or moisture/explosion-resistant enclosure (suitable for use in non-classified areas only)

General Purpose



Moisture/Explosion-Resistant



Description	Volts	kW	Ph	"B" Dim. in.	(mm)	Part Number	Del.	Ship Wt. lbs (kg)	Part Number ⑤	Del.	Ship Wt. lbs (kg)	
45 W/in ² ⑧ 304 SS Plug 3-Alloy 800 Elements (7 W/cm ²)						General Purpose Enclosure			Moisture/Explosion-Resistant Enclosure			
	240	6.0	3	12	(305)	BLNF12A27S	RS	10 (5)	BLNF12A27C	RS	13 (6)	
	240	7.5	3	14 1/2	(368)	BLNF14J27S	RS	11 (5)	BLNF14J27C	RS	14 (7)	
	240	9.0	3	17	(432)	BLNF17A27S	RS	12 (6)	BLNF17A27C	RS	15 (7)	
	240	12.0	3	21 1/2	(546)	BLNF21J27S	RS	14 (7)	BLNF21J27C	RS	17 (8)	
	480	12.0	3	21 1/2	(546)	BLNF21J28S	RS	14 (7)	BLNF21J28C	RS	17 (8)	
	240	15.0	3	26 1/2	(673)	BLNF26J27S	RS	17 (8)	BLNF26J27C	RS	20 (9)	
	480	15.0	3	26 1/2	(673)	BLNF26J28S	RS	17 (8)	BLNF26J28C	RS	20 (9)	
	240	18.0	3	31 1/2	(800)	BLNF31J27S	RS	18 (9)	BLNF31J27C	RS	21 (10)	
	480	18.0	3	31 1/2	(800)	BLNF31J28S	RS	18 (9)	BLNF31J28C	RS	21 (10)	
480	24.0	3	41	(1041)	BLNF41A28S	RS	20 (9)	BLNF41A28C	RS	23 (11)		
480	30.0	3	50 1/2	(1283)	BLNF50J28S	RS	22 (10)	BLNF50J28C	RS	25 (12)		

RAPID SHIP

- RS - Next day shipment up to 5 pieces

Note: All screw plug bundles are designed to fit the inside diameter of the equivalent mating coupling. They will not fit into the equivalent pipe inside diameter.

- ⑤ No third party recognition
- ⑧ Can be wired for 1-phase operation

Immersion Heaters

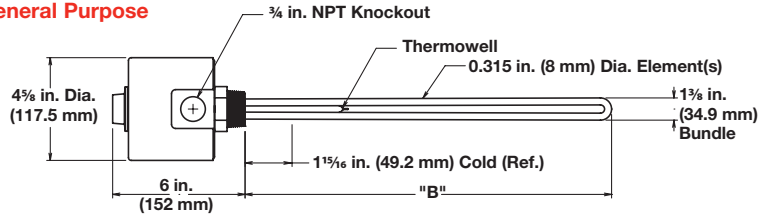
WATROD and FIREBAR Screw Plug Immersion Heaters



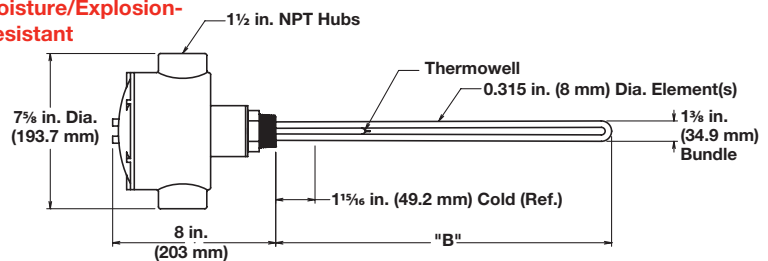
Application: Forced Air and Caustic Solutions

- 1 1/4 inch NPT screw plug
- WATROD elements
- With thermostat (SPST)
- General purpose or moisture/explosion-resistant enclosure (suitable for use in non-classified areas only)

General Purpose



Moisture/Explosion-Resistant



Description	Volts	kW	Ph	"B" Dim. in. (mm)	Ship Wt. lbs (kg)	Type 2 (30 to 250°F)		Type 3 (175 to 550°F)	
						Part Number	Del.	Part Number	Del.
General Purpose Enclosure									
23 W/in ² ④ 304 SS Plug 2-Alloy 800 Elements (3.6 W/cm ²)	120/240	1.0	1	13 ³ / ₈ (339.7)	6 (3)	BEN13G6S2	RS	BEN13G6S3	RS
	120/240	1.5	1	19 (483.0)	7 (4)	BEN19A6S2	RS	BEN19A6S3	RS
	120/240	2.0	1	24 ³ / ₈ (619.1)	8 (4)	BEN24G6S2	RS	BEN24G6S3	RS
Moisture/Explosion-Resistant Enclosure ⑤									
23 W/in ² ④ 304 SS Plug 2-Alloy 800 Elements (3.6 W/cm ²)	120/240	1.0	1	13 ³ / ₈ (339.7)	10 (5)	BEN13G6C2	RS	BEN13G6C3	RS
	120/240	1.5	1	19 (483.0)	11 (5)	BEN19A6C2	RS	BEN19A6C3	RS
	120/240	2.0	1	24 ³ / ₈ (619.1)	12 (6)	BEN24G6C2	RS	BEN24G6C3	RS

RAPID SHIP

- RS - Next day shipment up to 5 pieces

Note: All screw plug bundles are designed to fit the inside diameter of the equivalent mating coupling. They will not fit into the equivalent pipe inside diameter.

- ④ Wired for higher voltage
- ⑤ No third party recognition

Immersion Heaters

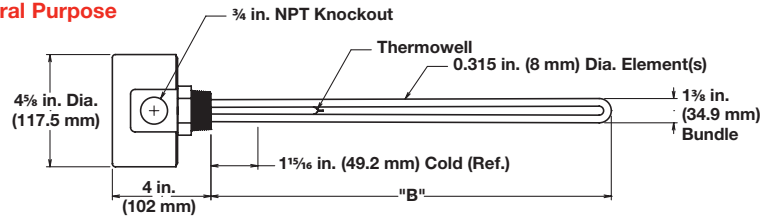
WATROD and FIREBAR Screw Plug Immersion Heaters



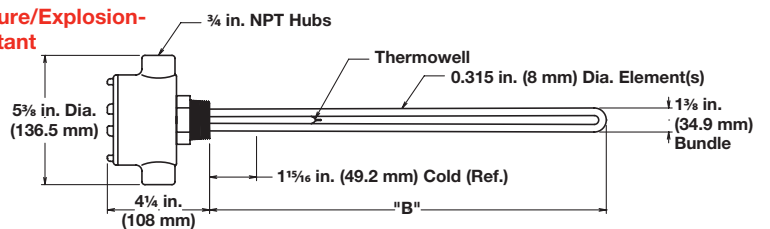
Application: Forced Air and Caustic Solutions

- 1 1/4 inch NPT screw plug
- WATROD elements
- Without thermostat
- General purpose or moisture/explosion-resistant enclosure (suitable for use in non-classified areas only)

General Purpose



Moisture/Explosion-Resistant



Description	Volts	kW	Ph	"B" Dim. in. (mm)	Part Number	Del.	Ship Wt. lbs (kg)	Part Number ⑤	Del.	Ship Wt. lbs (kg)	
					General Purpose Enclosure			Moisture Explosion-Resistant Enclosure			
23 W/in ² ④ 304 SS Plug 2-Alloy 800 Elements (3.6 W/cm ²)	120/240	1.0	1	13 ^{3/8} (339.7)	BEN13G6S	RS	6 (3)	BEN13G6C	RS	9 (4)	
	120/240	1.5	1	19 (483.0)	BEN19A6S	RS	7 (4)	BEN19A6C	RS	10 (5)	
	120/240	2.0	1	24 ^{3/8} (619.1)	BEN24G6S	RS	8 (4)	BEN24G6C	RS	11 (5)	

RAPID SHIP

- RS - Next day shipment up to 5 pieces

Note: All screw plug bundles are designed to fit the inside diameter of the equivalent mating coupling. They will not fit into the equivalent pipe inside diameter.

- ④ Wired for higher voltage
- ⑤ No third party recognition

Immersion Heaters

WATROD and FIREBAR Screw Plug Immersion Heaters



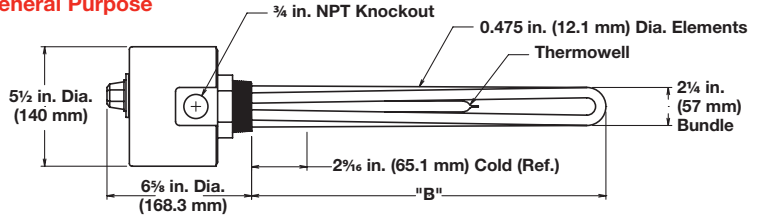
Application: Forced Air and Caustic Solutions

- 2 inch NPT screw plug
- WATROD elements
- With thermostat (DPST)

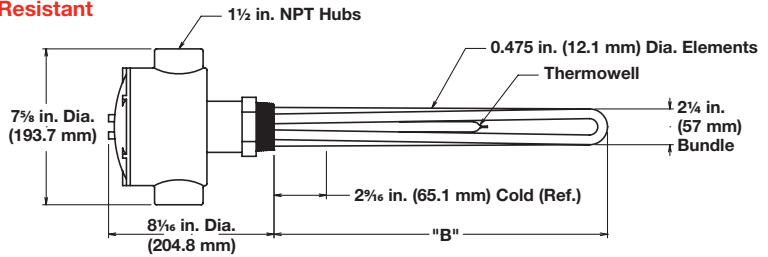
Note: Higher amperage products require a pilot duty thermostat with separate power controller. Please see following pages for available heaters without thermostats.

- General purpose or moisture/explosion-resistant enclosure (suitable for use in non-classified areas only)

General Purpose



Moisture/Explosion-Resistant



Description	Volts	kW	Ph	"B" Dim. in. (mm)	Ship Wt. lbs (kg)	Type 4 (30 to 110°F)		Type 5A (60 to 250°F)		Type 7A (100 to 550°F)	
						Part Number	Del.	Part Number	Del.	Part Number	Del.
General Purpose Enclosure											
23 W/in² ⑥ 304 SS Plug 3-Alloy 800 Elements (3.6 W/cm²)	240	3.0	3	17 ³ / ₄ (451)	8 (4)	BHNA17N3S4	RS	BHNA17N3S5A	RS	BHNA17N3S7A	RS
	480	3.0	3	17 ³ / ₄ (451)	8 (4)	BHNA17N5S4	RS	BHNA17N5S5A	RS	BHNA17N5S7A	RS
	240	4.5	3	25 ¹ / ₄ (641)	10 (5)	BHNA25E3S4	RS	BHNA25E3S5A	RS	BHNA25E3S7A	RS
	480	4.5	3	25 ¹ / ₄ (641)	10 (5)	BHNA25E5S4	RS	BHNA25E5S5A	RS	BHNA25E5S7A	RS
	240	6.0	3	32 ³ / ₄ (832)	10 (5)	BHNA32N3S4	RS	BHNA32N3S5A	RS	BHNA32N3S7A	RS
	480	6.0	3	32 ³ / ₄ (832)	10 (5)	BHNA32N5S4	RS	BHNA32N5S5A	RS	BHNA32N5S7A	RS
	240	7.5	3	40 ¹ / ₄ (1022)	11 (5)	BHNA40E3S4	RS	BHNA40E3S5A	RS	BHNA40E3S7A	RS
240	9.0	3	47 ³ / ₄ (1213)	12 (6)	BHNA47N3S4	RS	BHNA47N3S5A	RS	BHNA47N3S7A	RS	
Moisture/Explosion-Resistant Enclosure ⑥											
23 W/in² ⑥ 304 SS Plug 3-Alloy 800 Elements (3.6 W/cm²)	240	3.0	3	17 ³ / ₄ (451)	11 (5)	BHNA17N3C4	RS	BHNA17N3C5A	RS	BHNA17N3C7A	RS
	480	3.0	3	17 ³ / ₄ (451)	11 (5)	BHNA17N5C4	RS	BHNA17N5C5A	RS	BHNA17N5C7A	RS
	240	4.5	3	25 ¹ / ₄ (641)	13 (6)	BHNA25E3C4	RS	BHNA25E3C5A	RS	BHNA25E3C7A	RS
	480	4.5	3	25 ¹ / ₄ (641)	13 (6)	BHNA25E5C4	RS	BHNA25E5C5A	RS	BHNA25E5C7A	RS
	240	6.0	3	32 ³ / ₄ (832)	13 (6)	BHNA32N3C4	RS	BHNA32N3C5A	RS	BHNA32N3C7A	RS
	480	6.0	3	32 ³ / ₄ (832)	13 (6)	BHNA32N5C4	RS	BHNA32N5C5A	RS	BHNA32N5C7A	RS
	240	7.5	3	40 ¹ / ₄ (1022)	14 (7)	BHNA40E3C4	RS	BHNA40E3C5A	RS	BHNA40E3C7A	RS
	240	9.0	3	47 ³ / ₄ (1213)	15 (7)	BHNA47N3C4	RS	BHNA47N3C5A	RS	BHNA47N3C7A	RS

RAPID SHIP

- RS - Next day shipment up to 5 pieces

Note: All screw plug bundles are designed to fit the inside diameter of the equivalent mating coupling. They will not fit into the equivalent pipe inside diameter.

⑤ No third party recognition

⑥ Can be rewired wye to produce 1/3 of the original kW and watt density (3-phase only)

Immersion Heaters

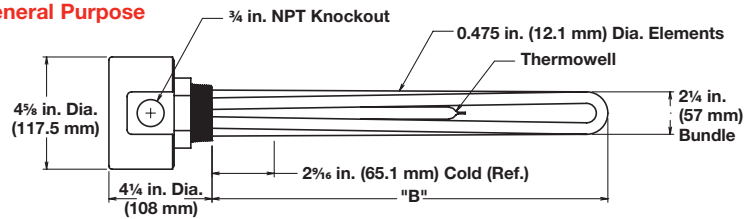
WATROD and FIREBAR Screw Plug Immersion Heaters



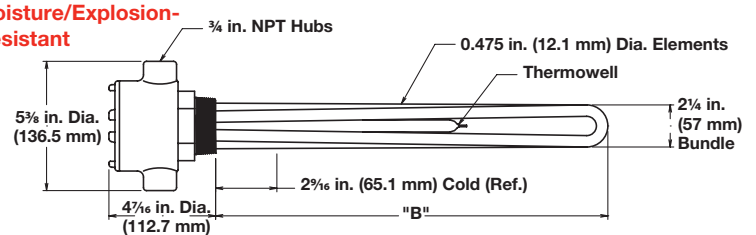
Application: Forced Air and Caustic Solutions

- 2 inch NPT screw plug
- WATROD elements
- Without thermostat
- General purpose or moisture/explosion-resistant enclosure (suitable for use in non-classified areas only)

General Purpose



Moisture/Explosion-Resistant



Description	Volts	kW	Ph	"B" Dim. in. (mm)	Part Number	Del.	Ship Wt. lbs (kg)	Part Number ⑤	Del.	Ship Wt. lbs (kg)	
23 W/in² ⑥ 304 SS Plug 3-Alloy 800 Elements (3.6 W/cm²)	General Purpose Enclosure					Moisture/Explosion-Resistant Enclosure					
	120	3.0	1	17 ³ / ₄ (451)	BHNA17N1S	RS	7 (4)	BHNA17N1C	RS	10 (5)	
	240	3.0	3	17 ³ / ₄ (451)	BHNA17N3S	RS	7 (4)	BHNA17N3C	RS	10 (5)	
	480	3.0	3	17 ³ / ₄ (451)	BHNA17N5S	RS	7 (4)	BHNA17N5C	RS	10 (5)	
	120	4.5	1	25 ¹ / ₄ (641)	BHNA25E1S	RS	8 (4)	BHNA25E1C	RS	11 (5)	
	240	4.5	3	25 ¹ / ₄ (641)	BHNA25E3S	RS	8 (4)	BHNA25E3C	RS	11 (5)	
	480	4.5	3	25 ¹ / ₄ (641)	BHNA25E5S	RS	8 (4)	BHNA25E5C	RS	11 (5)	
	240	6.0	3	32 ³ / ₄ (832)	BHNA32N3S	RS	9 (4)	BHNA32N3C	RS	12 (6)	
	480	6.0	3	32 ³ / ₄ (832)	BHNA32N5S	RS	9 (4)	BHNA32N5C	RS	12 (6)	
	240	7.5	3	40 ¹ / ₄ (1022)	BHNA40E3S	RS	10 (5)	BHNA40E3C	RS	13 (6)	
	480	7.5	3	40 ¹ / ₄ (1022)	BHNA40E5S	RS	10 (5)	BHNA40E5C	RS	13 (6)	
	240	9.0	3	47 ³ / ₄ (1213)	BHNA47N3S	RS	11 (5)	BHNA47N3C	RS	14 (7)	
	480	9.0	3	47 ³ / ₄ (1213)	BHNA47N5S	RS	11 (5)	BHNA47N5C	RS	14 (7)	
	240	12.5	3	64 ¹ / ₄ (1632)	BHNA64E3S	RS	15 (7)	BHNA64E3C	RS	18 (9)	
	480	12.5	3	64 ¹ / ₄ (1632)	BHNA64E5S	RS	15 (7)	BHNA64E5C	RS	18 (9)	
	240	15.0	3	76 ³ / ₄ (1950)	BHNA76E3S	RS	18 (9)	BHNA76E3C	RS	21 (10)	
480	15.0	3	76 ³ / ₄ (1950)	BHNA76E5S	RS	18 (9)	BHNA76E5C	RS	21 (10)		

RAPID SHIP

- RS - Next day shipment up to 5 pieces

Note: All screw plug bundles are designed to fit the inside diameter of the equivalent mating coupling. They will not fit into the equivalent pipe inside diameter.

⑤ No third party recognition

⑥ Can be rewired wye to produce 1/3 of the original kW and watt density (3-phase only)

Immersion Heaters

WATROD and FIREBAR Screw Plug Immersion Heaters



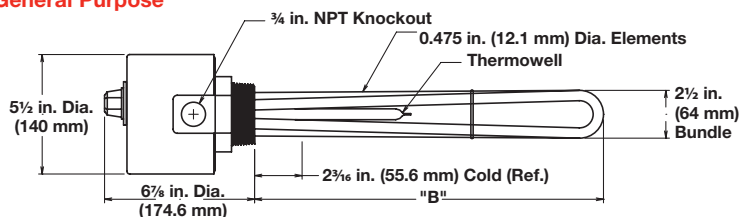
Application: Forced Air and Caustic Solutions

- 2 1/2 inch NPT screw plug
- WATROD elements
- With thermostat (DPST)

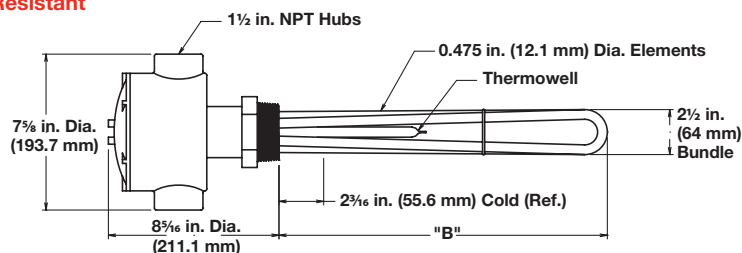
Note: Higher amperage products require a pilot duty thermostat with separate power controller. Please see following pages for available heaters without thermostats.

- General purpose or moisture/explosion-resistant enclosure (suitable for use in non-classified areas only)

General Purpose



Moisture/Explosion-Resistant



Description	Volts	kW	Ph	"B" Dim. in. (mm)	Ship Wt. lbs (kg)	Type 4 (30 to 110°F)		Type 5A (60 to 250°F)		Type 7A (100 to 550°F)	
						Part Number	Del.	Part Number	Del.	Part Number	Del.
General Purpose Enclosure											
23 W/in² ⑥ 304 SS Plug 3-Alloy 800 Elements (3.6 W/cm²)	240	3.0	3	17 ³ / ₈ (441.3)	10 (5)	BLNA17G3S4	RS	BLNA17G3S5A	RS	BLNA17G3S7A	RS
	480	3.0	3	17 ³ / ₈ (441.3)	10 (5)	BLNA17G5S4	RS	BLNA17G5S5A	RS	BLNA17G5S7A	RS
	240	4.5	3	24 ⁷ / ₈ (631.8)	13 (6)	BLNA24R3S4	RS	BLNA24R3S5A	RS	BLNA24R3S7A	RS
	480	4.5	3	24 ⁷ / ₈ (631.8)	13 (6)	BLNA24R5S4	RS	BLNA24R5S5A	RS	BLNA24R5S7A	RS
	240	6.0	3	32 ³ / ₈ (822.3)	15 (7)	BLNA32G3S4	RS	BLNA32G3S5A	RS	BLNA32G3S7A	RS
	480	6.0	3	32 ³ / ₈ (822.3)	15 (7)	BLNA32G5S4	RS	BLNA32G5S5A	RS	BLNA32G5S7A	RS
	240	7.5	3	39 ⁷ / ₈ (1012.8)	16 (8)	BLNA39R3S4	RS	BLNA39R3S5A	RS	BLNA39R3S7A	RS
	240	9.0	3	47 ³ / ₈ (1203.3)	18 (9)	BLNA47G3S4	RS	BLNA47G3S5A	RS	BLNA47G3S7A	RS
Moisture/Explosion-Resistant Enclosure ⑤											
23 W/in² ⑥ 304 SS Plug 3-Alloy 800 Elements (3.6 W/cm²)	240	3.0	3	17 ³ / ₈ (441.3)	13 (6)	BLNA17G3C4	RS	BLNA17G3C5A	RS	BLNA17G3C7A	RS
	480	3.0	3	17 ³ / ₈ (441.3)	13 (6)	BLNA17G5C4	RS	BLNA17G5C5A	RS	BLNA17G5C7A	RS
	240	4.5	3	24 ⁷ / ₈ (631.8)	16 (8)	BLNA24R3C4	RS	BLNA24R3C5A	RS	BLNA24R3C7A	RS
	480	4.5	3	24 ⁷ / ₈ (631.8)	16 (8)	BLNA24R5C4	RS	BLNA24R5C5A	RS	BLNA24R5C7A	RS
	240	6.0	3	32 ³ / ₈ (822.3)	18 (9)	BLNA32G3C4	RS	BLNA32G3C5A	RS	BLNA32G3C7A	RS
	480	6.0	3	32 ³ / ₈ (822.3)	18 (9)	BLNA32G5C4	RS	BLNA32G5C5A	RS	BLNA32G5C7A	RS
	240	7.5	3	39 ⁷ / ₈ (1012.8)	19 (9)	BLNA39R3C4	RS	BLNA39R3C5A	RS	BLNA39R3C7A	RS
	240	9.0	3	47 ³ / ₈ (1203.3)	21 (10)	BLNA47G3C4	RS	BLNA47G3C5A	RS	BLNA47G3C7A	RS

RAPID SHIP

- RS - Next day shipment up to 5 pieces

Note: All screw plug bundles are designed to fit the inside diameter of the equivalent mating coupling. They will not fit into the equivalent pipe inside diameter.

⑤ No third party recognition

⑥ Can be rewired wye to produce 1/3 of the original kW and watt density (3-phase only)

Immersion Heaters

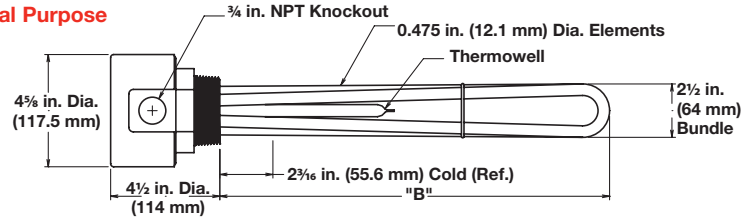
WATROD and FIREBAR Screw Plug Immersion Heaters



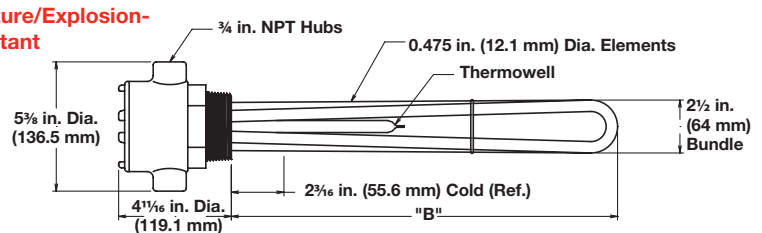
Application: Forced Air and Caustic Solutions

- 2 1/2 inch NPT screw plug
- WATROD elements
- Without thermostat
- General purpose or moisture/explosion-resistant enclosure (suitable for use in non-classified areas only)

General Purpose



Moisture/Explosion-Resistant



Description	Volts	kW	Ph	"B" Dim. in. (mm)	Part Number	Del.	Ship Wt. lbs (kg)	Part Number ⑤	Del.	Ship Wt. lbs (kg)	
					General Purpose Enclosure			Moisture/Explosion-Resistant Enclosure			
23 W/in² ⑥ 304 SS Plug 3-Alloy 800 Elements (3.6 W/cm²)	120	3.0	1	17 ³ / ₈ (441.3)	BLNA17G1S	RS	9 (4)	BLNA17G1C	RS	12 (6)	
	240	3.0	3	17 ³ / ₈ (441.3)	BLNA17G3S	RS	9 (4)	BLNA17G3C	RS	12 (6)	
	480	3.0	3	17 ³ / ₈ (441.3)	BLNA17G5S	RS	9 (4)	BLNA17G5C	RS	12 (6)	
	120	4.5	1	24 ⁷ / ₈ (631.8)	BLNA24R1S	RS	12 (6)	BLNA24R1C	RS	15 (7)	
	240	4.5	3	24 ⁷ / ₈ (631.8)	BLNA24R3S	RS	12 (6)	BLNA24R3C	RS	15 (7)	
	480	4.5	3	24 ⁷ / ₈ (631.8)	BLNA24R5S	RS	12 (6)	BLNA24R5C	RS	15 (7)	
	240	6.0	3	32 ³ / ₈ (822.3)	BLNA32G3S	RS	14 (7)	BLNA32G3C	RS	17 (8)	
	480	6.0	3	32 ³ / ₈ (822.3)	BLNA32G5S	RS	14 (7)	BLNA32G5C	RS	17 (8)	
	240	7.5	3	39 ⁷ / ₈ (1012.8)	BLNA39R3S	RS	15 (7)	BLNA39R3C	RS	18 (9)	
	480	7.5	3	39 ⁷ / ₈ (1012.8)	BLNA39R5S	RS	15 (7)	BLNA39R5C	RS	18 (9)	
	240	9.0	3	47 ³ / ₈ (1203.3)	BLNA47G3S	RS	17 (8)	BLNA47G3C	RS	20 (9)	
	480	9.0	3	47 ³ / ₈ (1203.3)	BLNA47G5S	RS	17 (8)	BLNA47G5C	RS	20 (9)	
	240	12.5	3	63 ⁷ / ₈ (1622.4)	BLNA63R3S	RS	20 (9)	BLNA63R3C	RS	23 (11)	
	480	12.5	3	63 ⁷ / ₈ (1622.4)	BLNA63R5S	RS	20 (9)	BLNA63R5C	RS	23 (11)	
240	15.0	3	76 ³ / ₈ (1939.9)	BLNA76G3S	RS	23 (11)	BLNA76G3C	RS	26 (12)		
480	15.0	3	76 ³ / ₈ (1939.9)	BLNA76G5S	RS	23 (11)	BLNA76G5C	RS	26 (12)		

RAPID SHIP

- RS - Next day shipment up to 5 pieces

Note: All screw plug bundles are designed to fit the inside diameter of the equivalent mating coupling. They will not fit into the equivalent pipe inside diameter.

⑤ No third party recognition

⑥ Can be rewired wye to produce 1/3 of the original kW and watt density (3-phase only)

Immersion Heaters

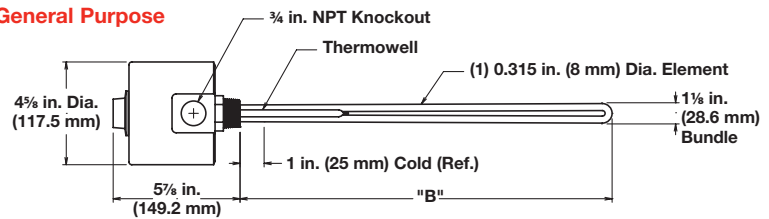
WATROD and FIREBAR Screw Plug Immersion Heaters



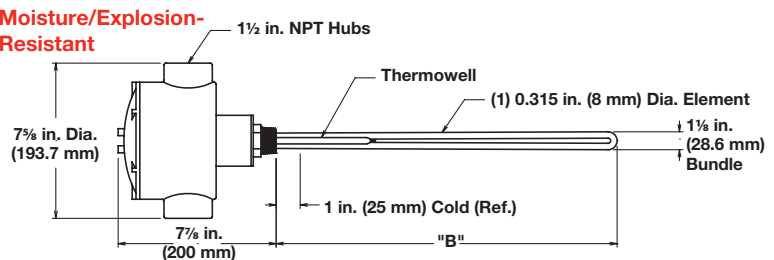
Application: Lightweight Oils and Heat Transfer Oils

- 1 inch NPT screw plug
- WATROD elements
- With thermostat (SPST)
- General purpose or moisture/explosion-resistant enclosure (suitable for use in non-classified areas only)

General Purpose



Moisture/Explosion-Resistant



Description	Volts	kW	Ph	"B" Dim. in. (mm)	Ship Wt. lbs (kg)	Type 2 (30 to 250°F)		Type 3 (175 to 550°F)	
						Part Number	Del.	Part Number	Del.
General Purpose Enclosure									
23 W/in² Steel Plug 1-Steel Element (3.6 W/cm²)	120	0.25	1	6 1/2 (165)	3 (2)	BCS6J1S2	RS	BCS6J1S3	RS
	240	0.25	1	6 1/2 (165)	3 (2)	BCS6J10S2	RS	BCS6J10S3	RS
	120	0.35	1	9 1/4 (235)	4 (2)	BCS9E1S2	RS	BCS9E1S3	RS
	240	0.35	1	9 1/4 (235)	4 (2)	BCS9E10S2	RS	BCS9E10S3	RS
	120	0.50	1	9 3/8 (238)	4 (2)	BCS9G1S2	RS	BCS9G1S3	RS
	240	0.50	1	9 3/8 (238)	4 (2)	BCS9G10S2	RS	BCS9G10S3	RS
	120	0.75	1	13 1/2 (343)	5 (3)	BCS13J1S2	RS	BCS13J1S3	RS
	240	0.75	1	13 1/2 (343)	5 (3)	BCS13J10S2	RS	BCS13J10S3	RS
	120	1.00	1	16 3/4 (426)	6 (3)	BCS16N1S2	RS	BCS16N1S3	RS
	240	1.00	1	16 3/4 (426)	6 (3)	BCS16N10S2	RS	BCS16N10S3	RS
	120	1.50	1	23 3/4 (603)	7 (4)	BCS23N1S2	RS	BCS23N1S3	RS
	240	1.50	1	23 3/4 (603)	7 (4)	BCS23N10S2	RS	BCS23N10S3	RS
Moisture/Explosion-Resistant Enclosure ⑤									
23 W/in² Steel Plug 1-Steel Element (3.6 W/cm²)	120	0.25	1	6 1/2 (165)	3 (2)	BCS6J1C2	RS	BCS6J1C3	RS
	240	0.25	1	6 1/2 (165)	3 (2)	BCS6J10C2	RS	BCS6J10C3	RS
	120	0.35	1	9 1/4 (235)	4 (2)	BCS9E1C2	RS	BCS9E1C3	RS
	240	0.35	1	9 1/4 (235)	4 (2)	BCS9E10C2	RS	BCS9E10C3	RS
	120	0.50	1	9 3/8 (238)	4 (2)	BCS9G1C2	RS	BCS9G1C3	RS
	240	0.50	1	9 3/8 (238)	4 (2)	BCS9G10C2	RS	BCS9G10C3	RS
	120	0.75	1	13 1/2 (343)	5 (3)	BCS13J1C2	RS	BCS13J1C3	RS
	240	0.75	1	13 1/2 (343)	5 (3)	BCS13J10C2	RS	BCS13J10C3	RS
	120	1.00	1	16 3/4 (426)	6 (3)	BCS16N1C2	RS	BCS16N1C3	RS
	240	1.00	1	16 3/4 (426)	6 (3)	BCS16N10C2	RS	BCS16N10C3	RS
	120	1.50	1	23 3/4 (603)	7 (4)	BCS23N1C2	RS	BCS23N1C3	RS
	240	1.50	1	23 3/4 (603)	7 (4)	BCS23N10C2	RS	BCS23N10C3	RS

RAPID SHIP

- RS - Next day shipment up to 5 pieces

Note: All screw plug bundles are designed to fit the inside diameter of the equivalent mating coupling. They will not fit into the equivalent pipe inside diameter.

⑤ No third party recognition

Immersion Heaters

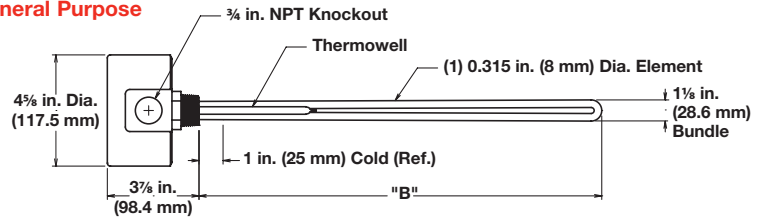
WATROD and FIREBAR Screw Plug Immersion Heaters



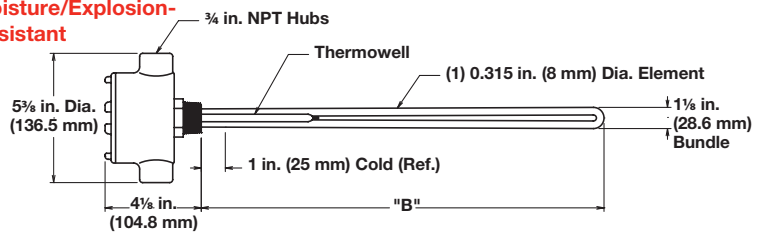
Application: Lightweight Oils and Heat Transfer Oils

- 1 inch NPT screw plug
- WATROD elements
- Without thermostat
- General purpose or moisture/explosion-resistant enclosure (suitable for use in non-classified areas only)

General Purpose



Moisture/Explosion-Resistant



Description	Volts	kW	Ph	"B" Dim. in. (mm)	Part Number	Del.	Ship Wt. lbs (kg)	Part Number ⑤	Del.	Ship Wt. lbs (kg)	
					General Purpose Enclosure			Moisture/Explosion-Resistant Enclosure			
23 W/in² Steel Plug 1-Steel Element (3.6 W/cm²)	120	0.25	1	6 ¹ / ₂ (165)	BCS6J1S	RS	3 (2)	BCS6J1C	RS	6 (3)	
	240	0.25	1	6 ¹ / ₂ (165)	BCS6J10S	RS	3 (2)	BCS6J10C	RS	6 (3)	
	120	0.35	1	9 ¹ / ₄ (235)	BCS9E1S	RS	4 (2)	BCS9E1C	RS	7 (4)	
	240	0.35	1	9 ¹ / ₄ (235)	BCS9E10S	RS	4 (2)	BCS9E10C	RS	7 (4)	
	120	0.50	1	9 ³ / ₈ (238)	BCS9G1S	RS	4 (2)	BCS9G1C	RS	7 (4)	
	240	0.50	1	9 ³ / ₈ (238)	BCS9G10S	RS	4 (2)	BCS9G10C	RS	7 (4)	
	120	0.75	1	13 ¹ / ₂ (343)	BCS13J1S	RS	5 (3)	BCS13J1C	RS	8 (4)	
	240	0.75	1	13 ¹ / ₂ (343)	BCS13J10S	RS	5 (3)	BCS13J10C	RS	8 (4)	
	120	1.00	1	16 ³ / ₄ (426)	BCS16N1S	RS	6 (3)	BCS16N1C	RS	9 (4)	
	240	1.00	1	16 ³ / ₄ (426)	BCS16N10S	RS	6 (3)	BCS16N10C	RS	9 (4)	
	120	1.50	1	23 ³ / ₄ (603)	BCS23N1S	RS	7 (4)	BCS23N1C	RS	10 (5)	
	240	1.50	1	23 ³ / ₄ (603)	BCS23N10S	RS	7 (4)	BCS23N10C	RS	10 (5)	

RAPID SHIP

- RS - Next day shipment up to 5 pieces

Note: All screw plug bundles are designed to fit the inside diameter of the equivalent mating coupling. They will not fit into the equivalent pipe inside diameter.

⑤ No third party recognition

Immersion Heaters

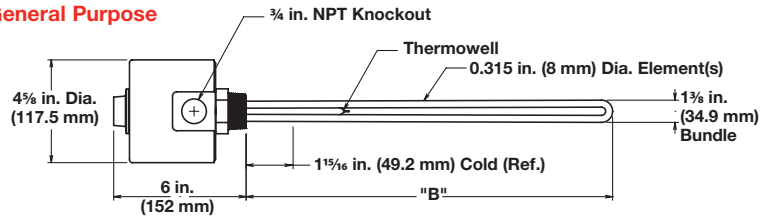
WATROD and FIREBAR Screw Plug Immersion Heaters



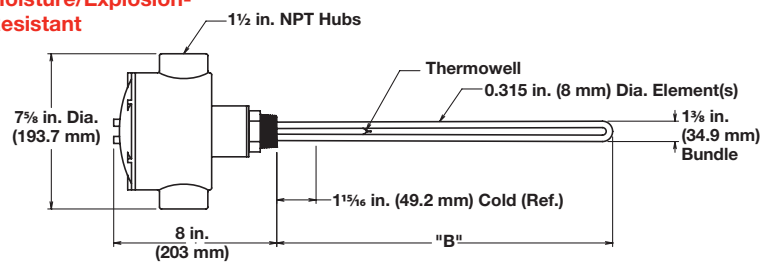
Application: Lightweight Oils and Heat Transfer Oils

- 1 1/4 inch NPT screw plug
- WATROD elements
- With thermostat (SPST)
- General purpose or moisture/explosion-resistant enclosure (suitable for use in non-classified areas only)

General Purpose



Moisture/Explosion-Resistant



Description	Volts	kW	Ph	"B" Dim. in. (mm)	Ship Wt. lbs (kg)	Type 2 (30 to 250°F)		Type 3 (175 to 550°F)	
						Part Number	Del.	Part Number	Del.
General Purpose Enclosure									
23 W/in² ④ Steel Plug 2-Steel Elements (3.6 W/cm²)	120/240	0.50	1	6 ³ / ₈ (161.9)	4 (2)	BES6G6S2	RS	BES6G6S3	RS
	120/240	0.50	1	7 ³ / ₈ (187.3)	4 (2)	BES7G6S2	RS	BES7G6S3	RS
	120/240	0.70	1	8 ⁷ / ₈ (225.4)	5 (3)	BES8R6S2	RS	BES8R6S3	RS
	120/240	0.75	1	10 ¹ / ₁₆ (255.6)	5 (3)	BES10B6S2	RS	BES10B6S3	RS
	120/240	1.00	1	12 ³ / ₄ (324.0)	6 (3)	BES12N6S2	RS	BES12N6S3	RS
	120/240	1.50	1	19 ³ / ₈ (492.1)	7 (4)	BES19G6S2	RS	BES19G6S3	RS
	120/240	2.00	1	25 ³ / ₈ (644.5)	8 (4)	BES25G6S2	RS	BES25G6S3	RS
	120/240	3.00	1	36 ⁷ / ₈ (936.6)	9 (4)	BES36R6S2	RS	BES36R6S3	RS
Moisture/Explosion-Resistant Enclosure ⑤									
23 W/in² ④ Steel Plug 2-Steel Elements (3.6 W/cm²)	120/240	0.50	1	6 ³ / ₈ (161.9)	8 (4)	BES6G6C2	RS	BES6G6C3	RS
	120/240	0.50	1	7 ³ / ₈ (187.3)	8 (4)	BES7G6C2	RS	BES7G6C3	RS
	120/240	0.70	1	8 ⁷ / ₈ (225.6)	9 (4)	BES8R6C2	RS	BES8R6C3	RS
	120/240	0.75	1	10 ¹ / ₁₆ (256.0)	9 (4)	BES10B6C2	RS	BES10B6C3	RS
	120/240	1.00	1	12 ³ / ₄ (324.0)	10 (5)	BES12N6C2	RS	BES12N6C3	RS
	120/240	1.50	1	19 ³ / ₈ (492.1)	11 (5)	BES19G6C2	RS	BES19G6C3	RS
	120/240	2.00	1	25 ³ / ₈ (644.5)	12 (6)	BES25G6C2	RS	BES25G6C3	RS
	120/240	3.00	1	36 ⁷ / ₈ (936.7)	13 (6)	BES36R6C2	RS	BES36R6C3	RS

RAPID SHIP

- RS - Next day shipment up to 5 pieces

Note: All screw plug bundles are designed to fit the inside diameter of the equivalent mating coupling. They will not fit into the equivalent pipe inside diameter.

- ④ Wired for higher voltage
- ⑤ No third party recognition

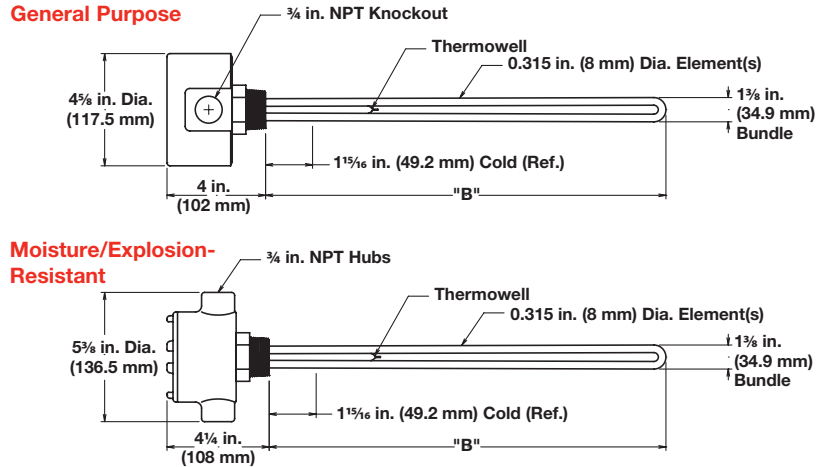
Immersion Heaters

WATROD and FIREBAR Screw Plug Immersion Heaters



Application: Lightweight Oils and Heat Transfer Oils

- 1 1/4 inch NPT screw plug
- WATROD elements
- Without thermostat
- General purpose or moisture/explosion-resistant enclosure (suitable for use in non-classified areas only)



Description	Volts	kW	Ph	"B" Dim. in. (mm)	Part Number	Del.	Ship Wt. lbs (kg)	Part Number ⑤	Del.	Ship Wt. lbs (kg)	
					General Purpose Enclosure			Moisture/Explosion-Resistant Enclosure			
23 W/in² ④ Steel Plug 2-Steel Elements (3.6 W/cm²)	120/240	0.50	1	6 ³ / ₈ (161.9)	BES6G6S	RS	4 (2)	BES6G6C	RS	7 (4)	
	120/240	0.50	1	7 ³ / ₈ (187.3)	BES7G6S	RS	4 (2)	BES7G6C	RS	7 (4)	
	120/240	0.70	1	8 ⁷ / ₈ (225.4)	BES8R6S	RS	5 (3)	BES8R6C	RS	8 (4)	
	120/240	0.75	1	10 ¹ / ₁₆ (255.6)	BES10B6S	RS	5 (3)	BES10B6C	RS	8 (4)	
	120/240	1.00	1	12 ³ / ₄ (324.0)	BES12N6S	RS	6 (3)	BES12N6C	RS	9 (4)	
	120/240	1.50	1	19 ³ / ₈ (492.1)	BES19G6S	RS	7 (4)	BES19G6C	RS	10 (5)	
	120/240	2.00	1	25 ³ / ₈ (644.5)	BES25G6S	RS	8 (4)	BES25G6C	RS	11 (5)	
120/240	3.00	1	36 ⁷ / ₈ (936.6)	BES36R6S	RS	9 (4)	BES36R6C	RS	12 (6)		

RAPID SHIP

- RS - Next day shipment up to 5 pieces

Note: All screw plug bundles are designed to fit the inside diameter of the equivalent mating coupling. They will not fit into the equivalent pipe inside diameter.

- ④ Wired for higher voltage
- ⑤ No third party recognition

Immersion Heaters

WATROD and FIREBAR Screw Plug Immersion Heaters

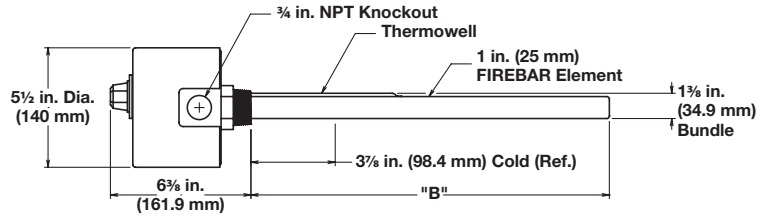


Application: Lightweight Oils and Heat Transfer Oils

- 1 1/4 inch NPT screw plug
- FIREBAR elements
- With thermostat (DPST)

Note: Higher amperage products require a pilot duty thermostat with separate power controller, please see following pages for available heaters without thermostats

- General purpose enclosure



Description	Volts	kW	Ph	"B" Dim. in. (mm)	Ship Wt. lbs (kg)	Type 5A (60 to 250°F)		Type 7A (100 to 550°F)	
						Part Number	Del.	Part Number	Del.
General Purpose Enclosure									
30 W/in² ③ 304 SS Plug 1-Alloy 800 Element (4.7 W/cm²)	240	1.70	3	16 1/8 (409.6)	8 (4)	BDNF16G12S5A	RS	BDNF16G12S7A	RS
	480	1.70	3	16 1/8 (409.6)	8 (4)	BDNF16G13S5A	RS	BDNF16G13S7A	RS
	240	2.20	3	19 1/8 (485.8)	9 (4)	BDNF19G12S5A	RS	BDNF19G12S7A	RS
	480	2.20	3	19 1/8 (485.8)	9 (4)	BDNF19G13S5A	RS	BDNF19G13S7A	RS
	240	2.80	3	24 3/8 (619.1)	10 (5)	BDNF24L12S5A	RS	BDNF24L12S7A	RS
	480	2.80	3	24 3/8 (619.1)	10 (5)	BDNF24L13S5A	RS	BDNF24L13S7A	RS
	240	3.50	3	29 5/8 (752.5)	11 (5)	BDNF29R12S5A	RS	BDNF29R12S7A	RS
	480	3.50	3	29 5/8 (752.5)	11 (5)	BDNF29R13S5A	RS	BDNF29R13S7A	RS
	240	4.25	3	34 5/8 (879.5)	12 (6)	BDNF34R12S5A	RS	BDNF34R12S7A	RS
	480	4.25	3	34 5/8 (879.5)	12 (6)	BDNF34R13S5A	RS	BDNF34R13S7A	RS
	240	5.70	3	45 1/8 (1146.2)	14 (7)	BDNF45G12S5A	RS	BDNF45G12S7A	RS
	480	5.70	3	45 1/8 (1146.2)	14 (7)	BDNF45G13S5A	RS	BDNF45G13S7A	RS
240	7.20	3	55 5/8 (1412.9)	16 (8)	BDNF55R12S5A	RS	BDNF55R12S7A	RS	
23 W/in² ⑧ 304 SS Plug 1-Alloy 800 Element (3.6 W/cm²)	240	1.25	3	16 1/8 (409.6)	8 (4)	BDNF16G20S5A	RS	BDNF16G20S7A	RS
	240	1.65	3	19 1/8 (485.8)	9 (4)	BDNF19G20S5A	RS	BDNF19G20S7A	RS
	240	2.15	3	24 3/8 (619.1)	10 (5)	BDNF24L20S5A	RS	BDNF24L20S7A	RS
	480	2.15	3	24 3/8 (619.1)	10 (5)	BDNF24L19S5A	RS	BDNF24L19S7A	RS
	240	2.65	3	29 5/8 (752.5)	11 (5)	BDNF29R20S5A	RS	BDNF29R20S7A	RS
	480	2.65	3	29 5/8 (752.5)	11 (5)	BDNF29R19S5A	RS	BDNF29R19S7A	RS
	240	3.20	3	34 5/8 (879.5)	12 (6)	BDNF34R20S5A	RS	BDNF34R20S7A	RS
	480	3.20	3	34 5/8 (879.5)	12 (6)	BDNF34R19S5A	RS	BDNF34R19S7A	RS
	240	4.25	3	45 1/8 (1146.2)	14 (7)	BDNF45G20S5A	RS	BDNF45G20S7A	RS
	480	4.25	3	45 1/8 (1146.2)	14 (7)	BDNF45G19S5A	RS	BDNF45G19S7A	RS
	240	5.40	3	55 5/8 (1412.9)	16 (8)	BDNF55R20S5A	RS	BDNF55R20S7A	RS
	480	5.40	3	55 5/8 (1412.9)	16 (8)	BDNF55R19S5A	RS	BDNF55R19S7A	RS

RAPID SHIP

- RS - Next day shipment up to 5 pieces

Note: All screw plug bundles are designed to fit the inside diameter of the equivalent mating coupling. They will not fit into the equivalent pipe inside diameter.

③ Wired for 3-phase operation only

⑧ Can be wired for 1-phase operation

Immersion Heaters

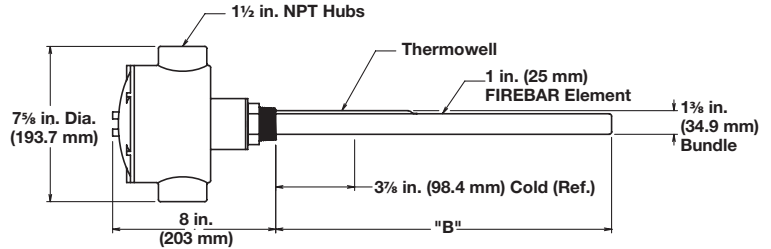
WATROD and FIREBAR Screw Plug Immersion Heaters

Application: Lightweight Oils and Heat Transfer Oils

- 1 1/4 inch NPT screw plug
- FIREBAR elements
- With thermostat (DPST)

Note: Higher amperage products require a pilot duty thermostat with separate power controller. Please see following pages for available heaters without thermostats.

- Moisture/explosion-resistant enclosure (suitable for use in non-classified areas only)



Description	Volts	kW	Ph	"B" Dim. in. (mm)	Ship Wt. lbs (kg)	Type 5A (60 to 250°F)		Type 7A (100 to 550°F)		
						Part Number	Del.	Part Number	Del.	
Moisture/Explosion-Resistant Enclosure ⑤										
30 W/in² ③ 304 SS Plug 1-Alloy 800 Element (4.7 W/cm²)	240	1.70	3	16 ¹ / ₈ (409.6)	11 (5)	BDNF16G12C5A	RS	BDNF16G12C7A	RS	
	480	1.70	3	16 ¹ / ₈ (409.6)	11 (5)	BDNF16G13C5A	RS	BDNF16G13C7A	RS	
	240	2.20	3	19 ¹ / ₈ (485.8)	12 (6)	BDNF19G12C5A	RS	BDNF19G12C7A	RS	
	480	2.20	3	19 ¹ / ₈ (485.8)	12 (6)	BDNF19G13C5A	RS	BDNF19G13C7A	RS	
	240	2.80	3	24 ³ / ₈ (619.1)	13 (6)	BDNF24L12C5A	RS	BDNF24L12C7A	RS	
	480	2.80	3	24 ³ / ₈ (619.1)	13 (6)	BDNF24L13C5A	RS	BDNF24L13C7A	RS	
	240	3.50	3	29 ⁵ / ₈ (752.5)	14 (7)	BDNF29R12C5A	RS	BDNF29R12C7A	RS	
	480	3.50	3	29 ⁵ / ₈ (752.5)	14 (7)	BDNF29R13C5A	RS	BDNF29R13C7A	RS	
	240	4.25	3	34 ⁵ / ₈ (879.5)	15 (7)	BDNF34R12C5A	RS	BDNF34R12C7A	RS	
	480	4.25	3	34 ⁵ / ₈ (879.5)	15 (7)	BDNF34R13C5A	RS	BDNF34R13C7A	RS	
	240	5.70	3	45 ¹ / ₈ (1146.2)	17 (8)	BDNF45G12C5A	RS	BDNF45G12C7A	RS	
	480	5.70	3	45 ¹ / ₈ (1146.2)	17 (8)	BDNF45G13C5A	RS	BDNF45G13C7A	RS	
240	7.20	3	55 ⁵ / ₈ (1412.9)	19 (9)	BDNF55R12C5A	RS	BDNF55R12C7A	RS		
23 W/in² ⑧ 304 SS Plug 1-Alloy 800 Element (3.6 W/cm²)	240	1.25	3	16 ¹ / ₈ (409.6)	11 (5)	BDNF16G20C5A	RS	BDNF16G20C7A	RS	
	240	1.65	3	19 ¹ / ₈ (485.8)	12 (6)	BDNF19G20C5A	RS	BDNF19G20C7A	RS	
	240	2.15	3	24 ³ / ₈ (619.1)	13 (6)	BDNF24L20C5A	RS	BDNF24L20C7A	RS	
	480	2.15	3	24 ³ / ₈ (619.1)	13 (6)	BDNF24L19C5A	RS	BDNF24L19C7A	RS	
	240	2.65	3	29 ⁵ / ₈ (752.5)	14 (7)	BDNF29R20C5A	RS	BDNF29R20C7A	RS	
	480	2.65	3	29 ⁵ / ₈ (752.5)	14 (7)	BDNF29R19C5A	RS	BDNF29R19C7A	RS	
	240	3.20	3	34 ⁵ / ₈ (879.5)	15 (7)	BDNF34R20C5A	RS	BDNF34R20C7A	RS	
	480	3.20	3	34 ⁵ / ₈ (879.5)	15 (7)	BDNF34R19C5A	RS	BDNF34R19C7A	RS	
	240	4.25	3	45 ¹ / ₈ (1146.2)	17 (8)	BDNF45G20C5A	RS	BDNF45G20C7A	RS	
	480	4.25	3	45 ¹ / ₈ (1146.2)	17 (8)	BDNF45G19C5A	RS	BDNF45G19C7A	RS	
	240	5.40	3	55 ⁵ / ₈ (1412.9)	19 (9)	BDNF55R20C5A	RS	BDNF55R20C7A	RS	
	480	5.40	3	55 ⁵ / ₈ (1412.9)	19 (9)	BDNF55R19C5A	RS	BDNF55R19C7A	RS	

RAPID SHIP

- RS - Next day shipment up to 5 pieces

Note: All screw plug bundles are designed to fit the inside diameter of the equivalent mating coupling. They will not fit into the equivalent pipe inside diameter.

- ③ Wired for 3-phase operation only
- ⑤ No third party recognition
- ⑧ Can be wired for 1-phase operation

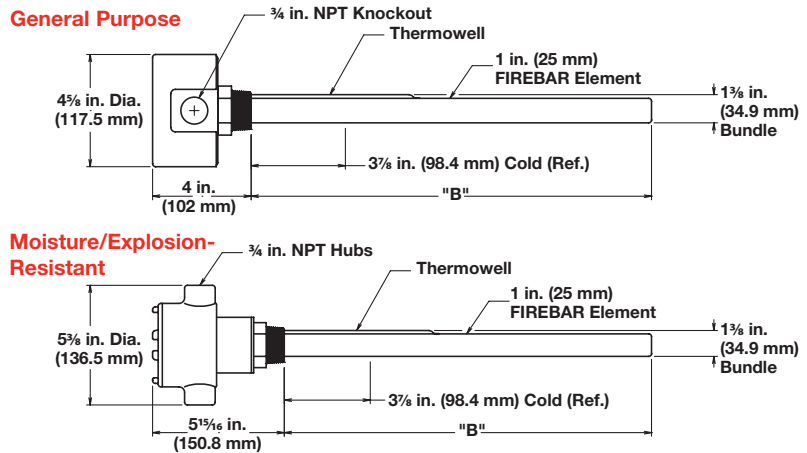
Immersion Heaters

WATROD and FIREBAR Screw Plug Immersion Heaters



Application: Lightweight Oils and Heat Transfer Oils

- 1 1/4 inch NPT screw plug
- FIREBAR elements
- Without thermostat
- General purpose or moisture/explosion-resistant enclosure (suitable for use in non-classified areas only)



Description	Volts	kW	Ph	"B" Dim. in. (mm)	Part Number	Del.	Ship Wt. lbs (kg)	Part Number ⑤	Del.	Ship Wt. lbs (kg)	
					General Purpose Enclosure			Moisture/Explosion-Resistant Enclosure			
30 W/in² ③ 304 SS Plug 1-Alloy 800 Element (4.7 W/cm²)	240	1.70	3	16 1/8 (409.6)	BDNF16G12S	RS	7 (4)	BDNF16G12C	RS	10 (5)	
	480	1.70	3	16 1/8 (409.6)	BDNF16G13S	RS	7 (4)	BDNF16G13C	RS	10 (5)	
	240	2.20	3	19 1/8 (485.8)	BDNF19G12S	RS	8 (4)	BDNF19G12C	RS	11 (5)	
	480	2.20	3	19 1/8 (485.8)	BDNF19G13S	RS	8 (4)	BDNF19G13C	RS	11 (5)	
	240	2.80	3	24 3/8 (619.1)	BDNF24L12S	RS	9 (4)	BDNF24L12C	RS	12 (6)	
	480	2.80	3	24 3/8 (619.1)	BDNF24L13S	RS	9 (4)	BDNF24L13C	RS	12 (6)	
	240	3.50	3	29 5/8 (752.5)	BDNF29R12S	RS	10 (5)	BDNF29R12C	RS	13 (6)	
	480	3.50	3	29 5/8 (752.5)	BDNF29R13S	RS	10 (5)	BDNF29R13C	RS	13 (6)	
	240	4.25	3	34 5/8 (879.5)	BDNF34R12S	RS	11 (5)	BDNF34R12C	RS	14 (7)	
	480	4.25	3	34 5/8 (879.5)	BDNF34R13S	RS	11 (5)	BDNF34R13C	RS	14 (7)	
	240	5.70	3	45 1/8 (1146.2)	BDNF45G12S	RS	13 (6)	BDNF45G12C	RS	16 (8)	
	480	5.70	3	45 1/8 (1146.2)	BDNF45G13S	RS	13 (6)	BDNF45G13C	RS	16 (8)	
23 W/in² ⑥ 304 SS Plug 1-Alloy 800 Element (3.6 W/cm²)	240	1.25	3	16 1/8 (409.6)	BDNF16G20S	RS	7 (4)	BDNF16G20C	RS	10 (5)	
	240	1.65	3	19 1/8 (485.8)	BDNF19G20S	RS	8 (4)	BDNF19G20C	RS	11 (5)	
	240	2.15	3	24 3/8 (619.1)	BDNF24L20S	RS	9 (4)	BDNF24L20C	RS	12 (6)	
	480	2.15	3	24 3/8 (619.1)	BDNF24L19S	RS	9 (4)	BDNF24L19C	RS	12 (6)	
	240	2.65	3	29 5/8 (752.5)	BDNF29R20S	RS	10 (5)	BDNF29R20C	RS	13 (6)	
	480	2.65	3	29 5/8 (752.5)	BDNF29R19S	RS	10 (5)	BDNF29R19C	RS	13 (6)	
	240	3.20	3	34 5/8 (879.5)	BDNF34R20S	RS	11 (5)	BDNF34R20C	RS	14 (7)	
	480	3.20	3	34 5/8 (879.5)	BDNF34R19S	RS	11 (5)	BDNF34R19C	RS	14 (7)	
	240	4.25	3	45 1/8 (1146.2)	BDNF45G20S	RS	13 (6)	BDNF45G20C	RS	16 (8)	
	480	4.25	3	45 1/8 (1146.2)	BDNF45G19S	RS	13 (6)	BDNF45G19C	RS	16 (8)	
	240	5.40	3	55 5/8 (1412.9)	BDNF55R20S	RS	15 (7)	BDNF55R20C	RS	18 (9)	
	480	5.40	3	55 5/8 (1412.9)	BDNF55R19S	RS	15 (7)	BDNF55R19C	RS	18 (9)	

RAPID SHIP

- RS - Next day shipment up to 5 pieces

Note: All screw plug bundles are designed to fit the inside diameter of the equivalent mating coupling. They will not fit into the equivalent pipe inside diameter.

- ③ Wired for 3-phase operation only
- ⑤ No third party recognition
- ⑥ Can be wired for 1-phase operation

Immersion Heaters

WATROD and FIREBAR Screw Plug Immersion Heaters

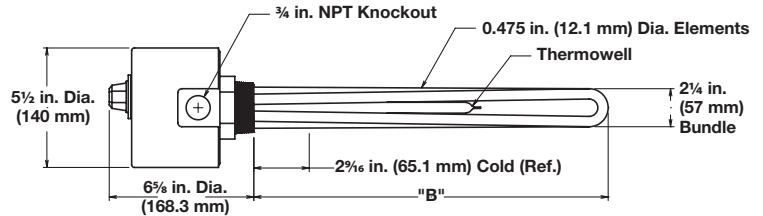


Application: Lightweight Oils and Heat Transfer Oils

- 2 inch NPT screw plug
- WATROD elements
- With thermostat (DPST)

Note: Higher amperage products require a pilot duty thermostat with separate power controller. Please see following pages for available heaters without thermostats.

- General purpose enclosure



Description	Volts	kW	Ph	"B" Dim. in. (mm)		Ship Wt. lbs (kg)		Type 4 (30 to 110°F)		Type 5A (60 to 250°F)		Type 7A (100 to 550°F)	
								Part Number	Del.	Part Number	Del.	Part Number	Del.
General Purpose Enclosure													
23 W/in² ④ Steel Plug 2-Steel Elements (3.6 W/cm²)	120/240	1.0	1	9 1/2	(241)	5	(3)	BGS79J6S4	RS	BGS79J6S5A	RS	BGS79J6S7A	RS
	240/480	1.0	1	9 1/2	(241)	5	(3)	BGS79J7S4	RS	BGS79J7S5A	RS	BGS79J7S7A	RS
	120/240	1.5	1	13 1/2	(343)	6	(3)	BGS713J6S4	RS	BGS713J6S5A	RS	BGS713J6S7A	RS
	240/480	1.5	1	13 1/2	(343)	6	(3)	BGS713J7S4	RS	BGS713J7S5A	RS	BGS713J7S7A	RS
	120/240	2.0	1	17 1/2	(445)	7	(4)	BGS717J6S4	RS	BGS717J6S5A	RS	BGS717J6S7A	RS
	240/480	2.0	1	17 1/2	(445)	7	(4)	BGS717J7S4	RS	BGS717J7S5A	RS	BGS717J7S7A	RS
	120/240	2.5	1	20 1/2	(521)	8	(4)	BGS720J6S4	RS	BGS720J6S5A	RS	BGS720J6S7A	RS
	240/480	2.5	1	20 1/2	(521)	8	(4)	BGS720J7S4	RS	BGS720J7S5A	RS	BGS720J7S7A	RS
	120/240	3.0	1	25	(635)	8	(4)	BGS725A6S4	RS	BGS725A6S5A	RS	BGS725A6S7A	RS
	240/480	3.0	1	25	(635)	8	(4)	BGS725A7S4	RS	BGS725A7S5A	RS	BGS725A7S7A	RS
	120/240	4.0	1	32 1/2	(826)	9	(4)	BGS732J6S4	RS	BGS732J6S5A	RS	BGS732J6S7A	RS
120/240	5.0	1	40	(1016)	10	(5)	BGS740A6S4	RS	BGS740A6S5A	RS	BGS740A6S7A	RS	
23 W/in² Steel Plug 3-Steel Elements (3.6 W/cm²)	120	1.5	1	9 1/2	(241)	6	(3)	BHS79J1S4	RS	BHS79J1S5A	RS	BHS79J1S7A	RS
	240	1.5	3	9 1/2	(241)	6	(3)	BHS79J3S4	RS	BHS79J3S5A	RS	BHS79J3S7A	RS
	480	1.5	3	9 1/2	(241)	6	(3)	BHS79J13S4	RS	BHS79J13S5A	RS	BHS79J13S7A	RS
	240	3.0	3	17 1/2	(445)	8	(4)	BHS717J3S4	RS	BHS717J3S5A	RS	BHS717J3S7A	RS
	480	3.0	3	17 1/2	(445)	8	(4)	BHS717J5S4	RS	BHS717J5S5A	RS	BHS717J5S7A	RS
	240	4.5	3	25	(635)	10	(5)	BHS725A3S4	RS	BHS725A3S5A	RS	BHS725A3S7A	RS
	480	4.5	3	25	(635)	10	(5)	BHS725A5S4	RS	BHS725A5S5A	RS	BHS725A5S7A	RS
	240	6.0	3	32 1/2	(826)	13	(6)	BHS732J3S4	RS	BHS732J3S5A	RS	BHS732J3S7A	RS
	480	6.0	3	32 1/2	(826)	13	(6)	BHS732J5S4	RS	BHS732J5S5A	RS	BHS732J5S7A	RS
	240	7.5	3	40	(1016)	14	(7)	BHS740A3S4	RS	BHS740A3S5A	RS	BHS740A3S7A	RS
	480	7.5	3	40	(1016)	14	(7)	BHS740A5S4	RS	BHS740A5S5A	RS	BHS740A5S7A	RS
240	9.0	3	47 1/2	(1207)	14	(7)	BHS747J3S4	RS	BHS747J3S5A	RS	BHS747J3S7A	RS	

RAPID SHIP

- RS - Next day shipment up to 5 pieces

Note: All screw plug bundles are designed to fit the inside diameter of the equivalent mating coupling. They will not fit into the equivalent pipe inside diameter.

- ④ Wired for higher voltage

Immersion Heaters

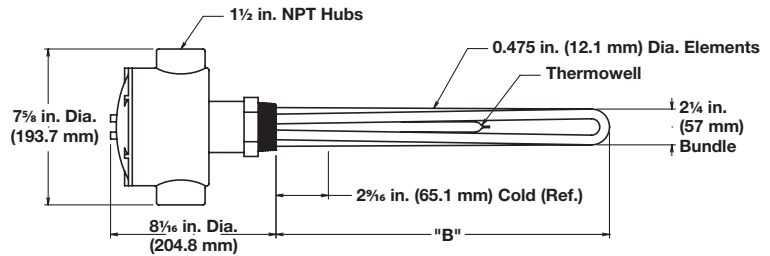
WATROD and FIREBAR Screw Plug Immersion Heaters

Application: Lightweight Oils and Heat Transfer Oils

- 2 inch NPT screw plug
- WATROD elements
- With thermostat (DPST)

Note: Higher amperage products require a pilot duty thermostat with separate power controller. Please see following pages for available heaters without thermostats.

- Moisture/explosion-resistant enclosure (suitable for use in non-classified areas only)



Description	Volts	kW	Ph	"B" Dim. in. (mm)	Ship Wt. lbs (kg)	Type 4 (30 to 110°F)		Type 5A (60 to 250°F)		Type 7A (100 to 550°F)	
						Part Number	Del.	Part Number	Del.	Part Number	Del.
Moisture/Explosion-Resistant Enclosure ⑤											
23 W/in² ④ Steel Plug 2-Steel Elements (3.6 W/cm²)	120/240	1.0	1	9 1/2 (241)	8 (4)	BGS79J6C4	RS	BGS79J6C5A	RS	BGS79J6C7A	RS
	240/480	1.0	1	9 1/2 (241)	8 (4)	BGS79J7C4	RS	BGS79J7C5A	RS	BGS79J7C7A	RS
	120/240	1.5	1	13 1/2 (343)	9 (4)	BGS713J6C4	RS	BGS713J6C5A	RS	BGS713J6C7A	RS
	240/480	1.5	1	13 1/2 (343)	9 (4)	BGS713J7C4	RS	BGS713J7C5A	RS	BGS713J7C7A	RS
	120/240	2.0	1	17 1/2 (445)	10 (5)	BGS717J6C4	RS	BGS717J6C5A	RS	BGS717J6C7A	RS
	240/480	2.0	1	17 1/2 (445)	10 (5)	BGS717J7C4	RS	BGS717J7C5A	RS	BGS717J7C7A	RS
	120/240	2.5	1	20 1/2 (521)	11 (5)	BGS720J6C4	RS	BGS720J6C5A	RS	BGS720J6C7A	RS
	240/480	2.5	1	20 1/2 (521)	11 (5)	BGS720J7C4	RS	BGS720J7C5A	RS	BGS720J7C7A	RS
	120/240	3.0	1	25 (635)	11 (5)	BGS725A6C4	RS	BGS725A6C5A	RS	BGS725A6C7A	RS
	240/480	3.0	1	25 (635)	11 (5)	BGS725A7C4	RS	BGS725A7C5A	RS	BGS725A7C7A	RS
23 W/in² Steel Plug 3-Steel Elements (3.6 W/cm²)	120	1.5	1	9 1/2 (241)	9 (4)	BHS79J1C4	RS	BHS79J1C5A	RS	BHS79J1C7A	RS
	240	1.5	3	9 1/2 (241)	9 (4)	BHS79J3C4	RS	BHS79J3C5A	RS	BHS79J3C7A	RS
	480	1.5	3	9 1/2 (241)	9 (4)	BHS79J13C4	RS	BHS79J13C5A	RS	BHS79J13C7A	RS
	240	3.0	3	17 1/2 (445)	11 (5)	BHS717J3C4	RS	BHS717J3C5A	RS	BHS717J3C7A	RS
	480	3.0	3	17 1/2 (445)	11 (5)	BHS717J5C4	RS	BHS717J5C5A	RS	BHS717J5C7A	RS
	240	4.5	3	25 (635)	13 (6)	BHS725A3C4	RS	BHS725A3C5A	RS	BHS725A3C7A	RS
	480	4.5	3	25 (635)	13 (6)	BHS725A5C4	RS	BHS725A5C5A	RS	BHS725A5C7A	RS
	240	6.0	3	32 1/2 (826)	16 (8)	BHS732J3C4	RS	BHS732J3C5A	RS	BHS732J3C7A	RS
	480	6.0	3	32 1/2 (826)	16 (8)	BHS732J5C4	RS	BHS732J5C5A	RS	BHS732J5C7A	RS
	240	7.5	3	40 (1016)	17 (8)	BHS740A3C4	RS	BHS740A3C5A	RS	BHS740A3C7A	RS
480	7.5	3	40 (1016)	17 (8)	BHS740A5C4	RS	BHS740A5C5A	RS	BHS740A5C7A	RS	
240	9.0	3	47 1/2 (1207)	17 (8)	BHS747J3C4	RS	BHS747J3C5A	RS	BHS747J3C7A	RS	

RAPID SHIP

- RS - Next day shipment up to 5 pieces

Note: All screw plug bundles are designed to fit the inside diameter of the equivalent mating coupling. They will not fit into the equivalent pipe inside diameter.

- ④ Wired for higher voltage
- ⑤ No third party recognition

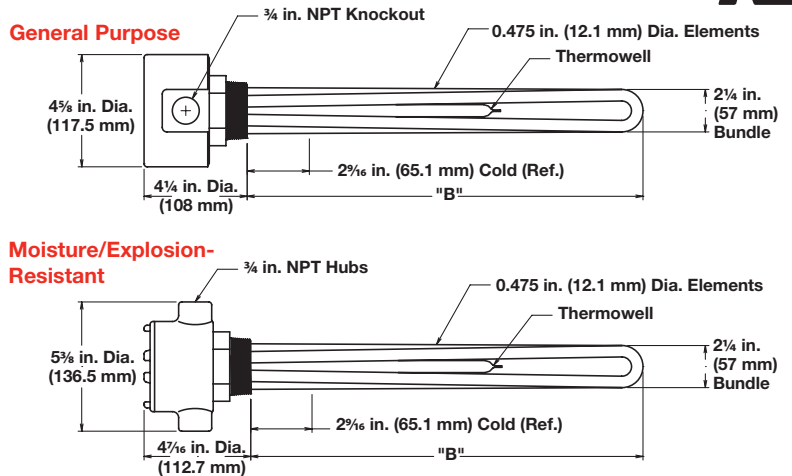
Immersion Heaters

WATROD and FIREBAR Screw Plug Immersion Heaters



Application: Lightweight Oils and Heat Transfer Oils

- 2 inch NPT screw plug
- WATROD elements
- Without thermostat
- General purpose or moisture/explosion-resistant enclosure (suitable for use in non-classified areas only)



Description	Volts	kW	Ph	"B" Dim. in. (mm)	Part Number	Del.	Ship Wt. lbs (kg)	Part Number ⑤	Del.	Ship Wt. lbs (kg)	
					General Purpose			Moisture/Explosion-Resistant Enclosures			
23 W/in² ④ Steel Plug 2-Steel Elements (3.6 W/cm²)	120/240	1.0	1	9 1/2 (241)	BGS79J6S	RS	4 (2)	BGS79J6C	RS	7 (4)	
	240/480	1.0	1	9 1/2 (241)	BGS79J7S	RS	4 (2)	BGS79J7C	RS	7 (4)	
	120/240	1.5	1	13 1/2 (343)	BGS713J6S	RS	5 (3)	BGS713J6C	RS	8 (4)	
	240/480	1.5	1	13 1/2 (343)	BGS713J7S	RS	5 (3)	BGS713J7C	RS	8 (4)	
	120/240	2.0	1	17 1/2 (445)	BGS717J6S	RS	6 (3)	BGS717J6C	RS	9 (4)	
	240/480	2.0	1	17 1/2 (445)	BGS717J7S	RS	6 (3)	BGS717J7C	RS	9 (4)	
	120/240	2.5	1	20 1/2 (521)	BGS720J6S	RS	7 (4)	BGS720J6C	RS	10 (5)	
	240/480	2.5	1	20 1/2 (521)	BGS720J7S	RS	7 (4)	BGS720J7C	RS	10 (5)	
	120/240	3.0	1	25 (635)	BGS725A6S	RS	7 (4)	BGS725A6C	RS	10 (5)	
	240/480	3.0	1	25 (635)	BGS725A7S	RS	7 (4)	BGS725A7C	RS	10 (5)	
	120/240	4.0	1	32 1/2 (826)	BGS732J6S	RS	8 (4)	BGS732J6C	RS	11 (5)	
	240/480	4.0	1	32 1/2 (826)	BGS732J7S	RS	8 (4)	BGS732J7C	RS	11 (5)	
	120/240	5.0	1	40 (1016)	BGS740A6S	RS	9 (4)	BGS740A6C	RS	12 (6)	
	240/480	5.0	1	40 (1016)	BGS740A7S	RS	9 (4)	BGS740A7C	RS	12 (6)	
240/480	6.0	1	47 1/2 (1207)	BGS747J7S	RS	10 (5)	BGS747J7C	RS	13 (6)		
23 W/in² Steel Plug 3-Steel Elements (3.6 W/cm²)	120	1.5	1	9 1/2 (241)	BHS79J1S	RS	5 (3)	BHS79J1C	RS	8 (4)	
	240	1.5	3	9 1/2 (241)	BHS79J3S	RS	5 (3)	BHS79J3C	RS	8 (4)	
	480	1.5	3	9 1/2 (241)	BHS79J13S	RS	5 (3)	BHS79J13C	RS	8 (4)	
	120	3.0	1	17 1/2 (445)	BHS717J1S	RS	7 (4)	BHS717J1C	RS	10 (5)	
	240	3.0	3	17 1/2 (445)	BHS717J3S	RS	7 (4)	BHS717J3C	RS	10 (5)	
	480	3.0	3	17 1/2 (445)	BHS717J5S	RS	7 (4)	BHS717J5C	RS	10 (5)	
	120	4.5	1	25 (635)	BHS725A1S	RS	9 (4)	BHS725A1C	RS	12 (6)	
	240	4.5	3	25 (635)	BHS725A3S	RS	9 (4)	BHS725A3C	RS	12 (6)	
	480	4.5	3	25 (635)	BHS725A5S	RS	9 (4)	BHS725A5C	RS	12 (6)	
	240	6.0	3	32 1/2 (826)	BHS732J3S	RS	12 (6)	BHS732J3C	RS	15 (7)	
	480	6.0	3	32 1/2 (826)	BHS732J5S	RS	12 (6)	BHS732J5C	RS	15 (7)	
	240	7.5	3	40 (1016)	BHS740A3S	RS	13 (6)	BHS740A3C	RS	16 (8)	
	480	7.5	3	40 (1016)	BHS740A5S	RS	13 (6)	BHS740A5C	RS	16 (8)	
	240	9.0	3	47 1/2 (1207)	BHS747J3S	RS	13 (6)	BHS747J3C	RS	16 (8)	
480	9.0	3	47 1/2 (1207)	BHS747J5S	RS	13 (6)	BHS747J5C	RS	16 (8)		
240	12.5	3	64 (1626)	BHS764A3S	RS	17 (8)	BHS764A3C	RS	20 (9)		
480	12.5	3	64 (1626)	BHS764A5S	RS	17 (8)	BHS764A5C	RS	20 (9)		

RAPID SHIP

- RS - Next day shipment up to 5 pieces

Note: All screw plug bundles are designed to fit the inside diameter of the equivalent mating coupling. They will not fit into the equivalent pipe inside diameter.

- ④ Wired for higher voltage
- ⑤ No third party recognition

Immersion Heaters

WATROD and FIREBAR Screw Plug Immersion Heaters



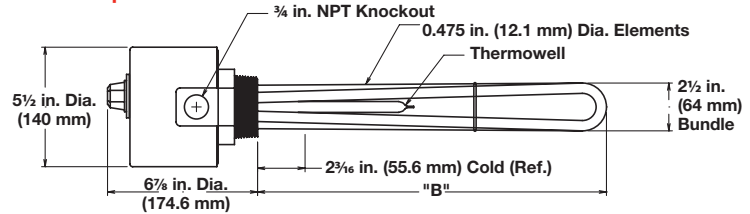
Application: Lightweight Oils and Heat Transfer Oils

- 2 1/2 inch NPT screw plug
- WATROD elements
- With thermostat (DPST)

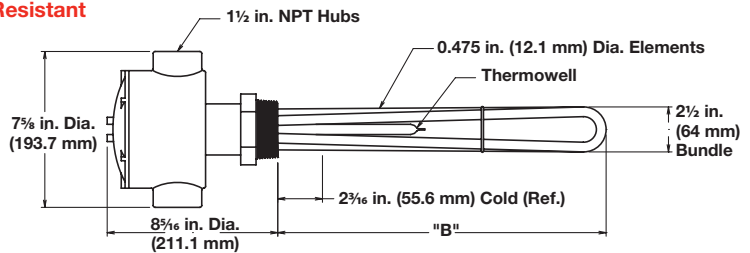
Note: Higher amperage products require a pilot duty thermostat with separate power controller. Please see following pages for available heaters without thermostats.

- General purpose or moisture/explosion-resistant enclosure (suitable for use in non-classified areas only)

General Purpose



Moisture/Explosion-Resistant



Description	Volts	kW	Ph	"B" Dim. in. (mm)		Ship Wt. lbs (kg)		Type 4 (30 to 110°F)		Type 5A (60 to 250°F)		Type 7A (100 to 550°F)	
								Part Number	Del.	Part Number	Del.	Part Number	Del.
General Purpose Enclosure													
23 W/in² ⑥ Steel Plug 3-Steel Elements (3.6 Wcm²)	240	3.0	3	17 1/4	(438)	10	(5)	BLS717E3S4	RS	BLS717E3S5A	RS	BLS717E3S7A	RS
	480	3.0	3	17 1/4	(438)	10	(5)	BLS717E5S4	RS	BLS717E5S5A	RS	BLS717E5S7A	RS
	240	4.5	3	24 3/4	(629)	13	(6)	BLS724N3S4	RS	BLS724N3S5A	RS	BLS724N3S7A	RS
	480	4.5	3	24 3/4	(629)	13	(6)	BLS724N5S4	RS	BLS724N5S5A	RS	BLS724N5S7A	RS
	240	6.0	3	32 1/4	(819)	15	(7)	BLS732E3S4	RS	BLS732E3S5A	RS	BLS732E3S7A	RS
	480	6.0	3	32 1/4	(819)	15	(7)	BLS732E5S4	RS	BLS732E5S5A	RS	BLS732E5S7A	RS
	240	7.5	3	39 3/4	(1010)	16	(8)	BLS739N3S4	RS	BLS739N3S5A	RS	BLS739N3S7A	RS
	480	7.5	3	39 3/4	(1010)	16	(8)	BLS739N5S4	RS	BLS739N5S5A	RS	BLS739N5S7A	RS
	240	9.0	3	47 1/4	(1200)	18	(9)	BLS747E3S4	RS	BLS747E3S5A	RS	BLS747E3S7A	RS
Moisture/Explosion-Resistant Enclosure ⑤													
23 W/in² ⑥ Steel Plug 3-Steel Elements (3.6 Wcm²)	240	3.0	3	17 1/4	(438)	13	(6)	BLS717E3C4	RS	BLS717E3C5A	RS	BLS717E3C7A	RS
	480	3.0	3	17 1/4	(438)	13	(6)	BLS717E5C4	RS	BLS717E5C5A	RS	BLS717E5C7A	RS
	240	4.5	3	24 3/4	(629)	16	(8)	BLS724N3C4	RS	BLS724N3C5A	RS	BLS724N3C7A	RS
	480	4.5	3	24 3/4	(629)	16	(8)	BLS724N5C4	RS	BLS724N5C5A	RS	BLS724N5C7A	RS
	240	6.0	3	32 1/4	(819)	18	(9)	BLS732E3C4	RS	BLS732E3C5A	RS	BLS732E3C7A	RS
	480	6.0	3	32 1/4	(819)	18	(9)	BLS732E5C4	RS	BLS732E5C5A	RS	BLS732E5C7A	RS
	240	7.5	3	39 3/4	(1010)	19	(9)	BLS739N3C4	RS	BLS739N3C5A	RS	BLS739N3C7A	RS
	480	7.5	3	39 3/4	(1010)	19	(9)	BLS739N5C4	RS	BLS739N5C5A	RS	BLS739N5C7A	RS
	240	9.0	3	47 1/4	(1200)	21	(10)	BLS747E3C4	RS	BLS747E3C5A	RS	BLS747E3C7A	RS

RAPID SHIP

- RS - Next day shipment up to 5 pieces

Note: All screw plug bundles are designed to fit the inside diameter of the equivalent mating coupling. They will not fit into the equivalent pipe inside diameter.

⑤ No third party recognition

⑥ Can be rewired to produce 1/3 of original kW and watt density (3-phase only)

Immersion Heaters

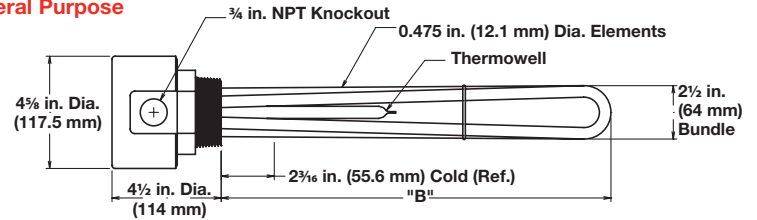
WATROD and FIREBAR Screw Plug Immersion Heaters



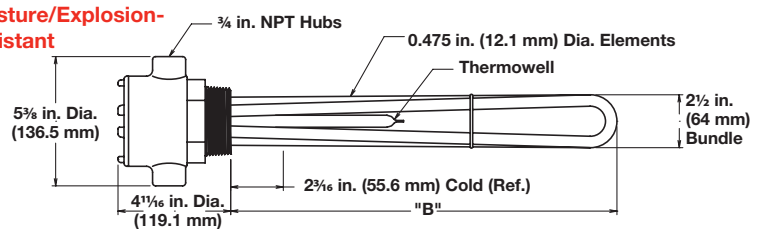
Application: Lightweight Oils and Heat Transfer Oils

- 2 1/2 inch NPT screw plug
- WATROD elements
- Without thermostat
- General purpose or moisture/explosion-resistant enclosure (suitable for use in non-classified areas only)

General Purpose



Moisture/Explosion-Resistant



Description	Volts	kW	Ph	"B" Dim. (mm)		Part Number	Del.	Ship Wt. (kg)		Part Number ⑤	Del.	Ship Wt. (kg)	
						General Purpose Enclosure				Moisture /Explosion-Resistant Enclosure			
23 W/in ² ⑥ Steel Plug 3-Steel Elements (3.6 Wcm ²)	120	3.0	1	17 1/4	(438)	BLS717E1S	RS	9	(4)	BLS717E1C	RS	12	(6)
	240	3.0	3	17 1/4	(438)	BLS717E3S	RS	9	(4)	BLS717E3C	RS	12	(6)
	480	3.0	3	17 1/4	(438)	BLS717E5S	RS	9	(4)	BLS717E5C	RS	12	(6)
	120	4.5	1	24 3/4	(629)	BLS724N1S	RS	12	(6)	BLS724N1C	RS	15	(7)
	240	4.5	3	24 3/4	(629)	BLS724N3S	RS	12	(6)	BLS724N3C	RS	15	(7)
	480	4.5	3	24 3/4	(629)	BLS724N5S	RS	12	(6)	BLS724N5C	RS	15	(7)
	240	6.0	3	32 1/4	(819)	BLS732E3S	RS	14	(7)	BLS732E3C	RS	17	(8)
	480	6.0	3	32 1/4	(819)	BLS732E5S	RS	14	(7)	BLS732E5C	RS	17	(8)
	240	7.5	3	39 3/4	(1010)	BLS739N3S	RS	15	(7)	BLS739N3C	RS	18	(9)
	480	7.5	3	39 3/4	(1010)	BLS739N5S	RS	15	(7)	BLS739N5C	RS	18	(9)
	240	9.0	3	47 1/4	(1200)	BLS747E3S	RS	17	(8)	BLS747E3C	RS	20	(9)
	480	9.0	3	47 1/4	(1200)	BLS747E5S	RS	17	(8)	BLS747E5C	RS	20	(9)
	240	12.5	3	63 3/4	(1619)	BLS763N3S	RS	20	(9)	BLS763N3C	RS	23	(11)
	480	12.5	3	63 3/4	(1619)	BLS763N5S	RS	20	(9)	BLS763N5C	RS	23	(11)
	240	15.0	3	76 1/4	(1937)	BLS776E3S	RS	23	(11)	BLS776E3C	RS	26	(12)
	480	15.0	3	76 1/4	(1937)	BLS776E5S	RS	23	(11)	BLS776E5C	RS	26	(12)

RAPID SHIP

- RS - Next day shipment up to 5 pieces

Note: All screw plug bundles are designed to fit the inside diameter of the equivalent mating coupling. They will not fit into the equivalent pipe inside diameter.

⑤ No third party recognition

⑥ Can be rewired to produce 1/3 of original kW and watt density (3-phase only)

Immersion Heaters

WATROD and FIREBAR Screw Plug Immersion Heaters



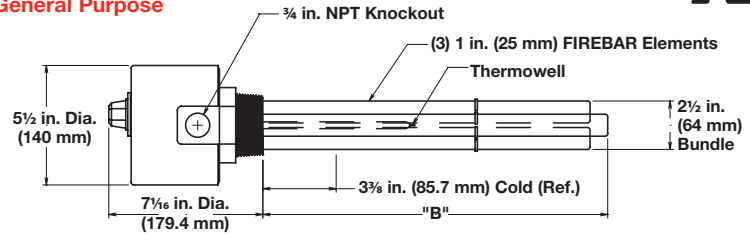
Application: Lightweight Oils and Heat Transfer Oils

- 2 1/2 inch NPT screw plug
- FIREBAR elements
- With thermostat (DPST)

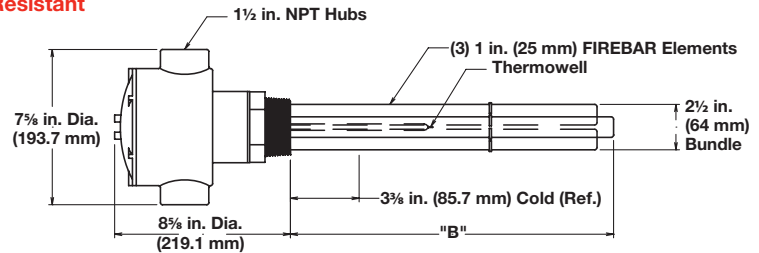
Note: Higher amperage products require a pilot duty thermostat with separate power controller. Please see following pages for available heaters without thermostats.

- General purpose or moisture/explosion-resistant enclosure (suitable for use in non-classified areas only)

General Purpose



Moisture/Explosion-Resistant



Description	Volts	kW	Ph	"B" Dim. in.	(mm)	Ship Wt. lbs	(kg)	Type 5A (60 to 250°F)		Type 7A (100 to 550°F)	
								Part Number	Del.	Part Number	Del.
General Purpose Enclosure											
30 W/in² ③ 304 SS Plug 3-Alloy 800 Elements (4.7 W/cm²)	240	5.0	3	15 1/8	(384.2)	12	(6)	BLNF15C12S5A	RS	BLNF15C12S7A	RS
	480	5.0	3	15 1/8	(384.2)	12	(6)	BLNF15C13S5A	RS	BLNF15C13S7A	RS
	240	6.5	3	18 1/8	(460.4)	13	(6)	BLNF18C12S5A	RS	BLNF18C12S7A	RS
	480	6.5	3	18 1/8	(460.4)	13	(6)	BLNF18C13S5A	RS	BLNF18C13S7A	RS
23 W/in² ⑧ 304 SS Plug 3-Alloy 800 Elements (3.6 W/cm²)	240	8.5	3	23 1/8	(587.4)	15	(7)	BLNF23C12S5A	RS	BLNF23C12S7A	RS
	240	3.8	3	15 1/8	(384.2)	12	(6)	BLNF15C20S5A	RS	BLNF15C20S7A	RS
	240	4.9	3	18 1/8	(460.4)	13	(6)	BLNF18C20S5A	RS	BLNF18C20S7A	RS
	240	6.4	3	23 1/8	(587.4)	15	(7)	BLNF23C20S5A	RS	BLNF23C20S7A	RS
	480	6.4	3	23 1/8	(587.4)	15	(7)	BLNF23C19S5A	RS	BLNF23C19S7A	RS
	240	7.9	3	28 5/8	(727.1)	18	(9)	BLNF28L20S5A	RS	BLNF28L20S7A	RS
240	9.6	3	33 5/8	(854.1)	19	(9)	BLNF33L20S5A	RS	BLNF33L20S7A	RS	
Moisture/Explosion-Resistant Enclosure ⑤											
30 W/in² ③ 304 SS Plug 3-Alloy 800 Elements (4.7 W/cm²)	240	5.0	3	15 1/8	(384.2)	14	(7)	BLNF15C12C5A	RS	BLNF15C12C7A	RS
	480	5.0	3	15 1/8	(384.2)	14	(7)	BLNF15C13C5A	RS	BLNF15C13C7A	RS
	240	6.5	3	18 1/8	(460.4)	16	(8)	BLNF18C12C5A	RS	BLNF18C12C7A	RS
	480	6.5	3	18 1/8	(460.4)	16	(8)	BLNF18C13C5A	RS	BLNF18C13C7A	RS
	240	8.5	3	23 1/8	(587.4)	18	(9)	BLNF23C12C5A	RS	BLNF23C12C7A	RS
23 W/in² ⑧ 304 SS Plug 3-Alloy 800 Elements (3.6 W/cm²)	240	3.8	3	15 1/8	(384.2)	14	(7)	BLNF15C20C5A	RS	BLNF15C20C7A	RS
	240	4.9	3	18 1/8	(460.4)	16	(8)	BLNF18C20C5A	RS	BLNF18C20C7A	RS
	240	6.4	3	23 1/8	(587.4)	18	(9)	BLNF23C20C5A	RS	BLNF23C20C7A	RS
	480	6.4	3	23 1/8	(587.4)	18	(9)	BLNF23C19C5A	RS	BLNF23C19C7A	RS
	240	7.9	3	28 5/8	(727.1)	21	(10)	BLNF28L20C5A	RS	BLNF28L20C7A	RS
	240	9.6	3	33 5/8	(854.1)	22	(10)	BLNF33L20C5A	RS	BLNF33L20C7A	RS

RAPID SHIP

- RS - Next day shipment up to 5 pieces

Note: All screw plug bundles are designed to fit the inside diameter of the equivalent mating coupling. They will not fit into the equivalent pipe inside diameter.

- ③ Wired for 3-phase operation only
- ⑤ No third party recognition
- ⑧ Can be wired for 1-phase operation

Immersion Heaters

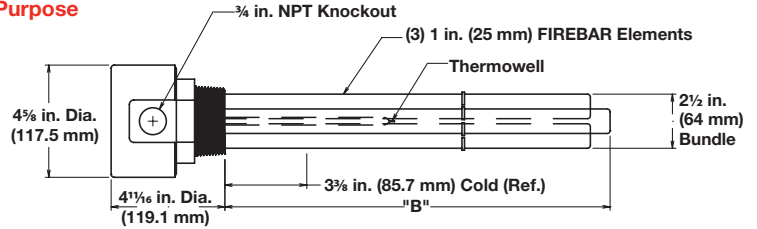
WATROD and FIREBAR Screw Plug Immersion Heaters



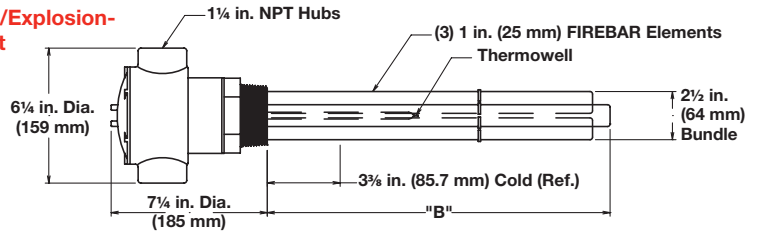
Application: Lightweight Oils and Heat Transfer Oils

- 2 1/2 inch NPT screw plug
- FIREBAR elements
- Without thermostat
- General purpose or moisture/explosion-resistant enclosure (suitable for use in non-classified areas only)

General Purpose



Moisture/Explosion-Resistant



Description	Volts	kW	Ph	"B" Dim. in. (mm)	Part Number	Del.	Ship Wt. lbs (kg)	Part Number ⑤	Del.	Ship Wt. lbs (kg)
					General Purpose Enclosure			Moisture/Explosion-Resistant Enclosure		
30 W/in² ③ 304 SS Plug 3-Alloy 800 Elements (4.7 W/cm²)	240	5.0	3	1 5/8 (384.2)	BLNF15C12S	RS	11 (5)	BLNF15C12C	RS	14 (7)
	480	5.0	3	1 5/8 (384.2)	BLNF15C13S	RS	11 (5)	BLNF15C13C	RS	14 (7)
	240	6.5	3	1 8/8 (460.4)	BLNF18C12S	RS	12 (6)	BLNF18C12C	RS	15 (7)
	480	6.5	3	1 8/8 (460.4)	BLNF18C13S	RS	12 (6)	BLNF18C13C	RS	15 (7)
	240	8.5	3	2 1/8 (587.4)	BLNF23C12S	RS	14 (7)	BLNF23C12C	RS	17 (8)
	480	8.5	3	2 1/8 (587.4)	BLNF23C13S	RS	14 (7)	BLNF23C13C	RS	17 (8)
	240	10.5	3	2 5/8 (727.1)	BLNF28L12S	RS	17 (8)	BLNF28L12C	RS	20 (9)
	480	10.5	3	2 5/8 (727.1)	BLNF28L13S	RS	17 (8)	BLNF28L13C	RS	20 (9)
	240	12.8	3	3 3/8 (854.1)	BLNF33L12S	RS	18 (9)	BLNF33L12C	RS	21 (10)
	480	12.8	3	3 3/8 (854.1)	BLNF33L13S	RS	18 (9)	BLNF33L13C	RS	21 (10)
	240	17.0	3	4 1/8 (1120.8)	BLNF44C12S	RS	20 (9)	BLNF44C12C	RS	23 (11)
	480	17.0	3	4 1/8 (1120.8)	BLNF44C13S	RS	20 (9)	BLNF44C13C	RS	23 (11)
480	21.5	3	5 5/8 (1387.5)	BLNF54L13S	RS	22 (10)	BLNF54L13C	RS	25 (12)	
23 W/in² ⑥ 304 SS Plug 3-Alloy 800 Elements (3.6 W/cm²)	240	3.8	3	1 5/8 (384.2)	BLNF15C20S	RS	11 (5)	BLNF15C20C	RS	14 (7)
	240	4.9	3	1 8/8 (460.4)	BLNF18C20S	RS	12 (6)	BLNF18C20C	RS	15 (7)
	240	6.4	3	2 1/8 (587.4)	BLNF23C20S	RS	14 (7)	BLNF23C20C	RS	17 (8)
	480	6.4	3	2 1/8 (587.4)	BLNF23C19S	RS	14 (7)	BLNF23C19C	RS	17 (8)
	240	7.9	3	2 5/8 (727.1)	BLNF28L20S	RS	17 (8)	BLNF28L20C	RS	20 (9)
	480	7.9	3	2 5/8 (727.1)	BLNF28L19S	RS	17 (8)	BLNF28L19C	RS	20 (9)
	240	9.6	3	3 3/8 (854.1)	BLNF33L20S	RS	18 (9)	BLNF33L20C	RS	21 (10)
	480	9.6	3	3 3/8 (854.1)	BLNF33L19S	RS	18 (9)	BLNF33L19C	RS	21 (10)
	240	12.8	3	4 1/8 (1120.8)	BLNF44C20S	RS	20 (9)	BLNF44C20C	RS	23 (11)
	480	12.8	3	4 1/8 (1120.8)	BLNF44C19S	RS	20 (9)	BLNF44C19C	RS	23 (11)
	240	16.1	3	5 5/8 (1387.5)	BLNF54L20S	RS	22 (10)	BLNF54L20C	RS	25 (12)
	480	16.1	3	5 5/8 (1387.5)	BLNF54L19S	RS	22 (10)	BLNF54L19C	RS	25 (12)

RAPID SHIP

- RS - Next day shipment up to 5 pieces

Note: All screw plug bundles are designed to fit the inside diameter of the equivalent mating coupling. They will not fit into the equivalent pipe inside diameter.

- ③ Wired for 3-phase operation only
- ⑤ No third party recognition
- ⑧ Can be wired for 1-phase operation

Immersion Heaters

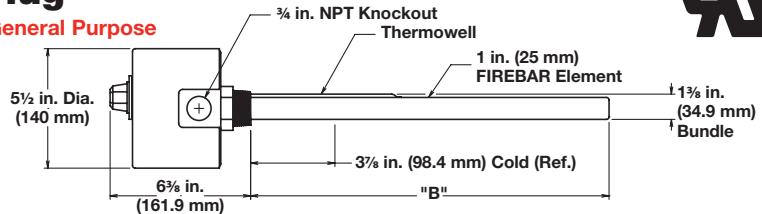
WATROD and FIREBAR Screw Plug Immersion Heaters



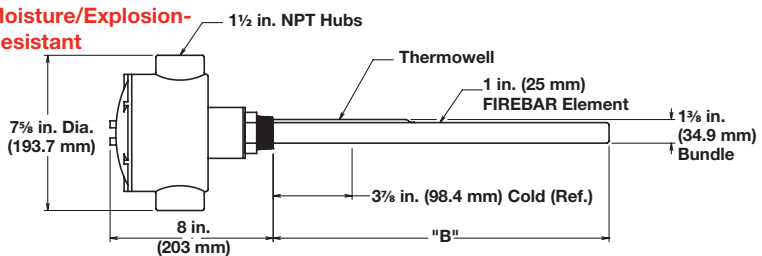
Application: Medium Weight Oils and Heat Transfer Oils

- 1 1/4 inch NPT screw plug
- FIREBAR elements
- With thermostat (DPST)
- General purpose or moisture/explosion-resistant enclosure (suitable for use in non-classified areas only)

General Purpose



Moisture/Explosion-Resistant



Description	Volts	kW	Ph	"B" Dim. in. (mm)		Ship Wt. lbs (kg)		Type 5A (60 to 250°F)		Type 7A (100 to 550°F)	
								Part Number	Del.	Part Number	Del.
General Purpose Enclosure											
15 W/in² ③ 304 SS Plug 1-Alloy 800 Element (2.3 W/cm²)	240	0.67	3	13	(330)	7	(4)	BDNF13A29S5A	RS	BDNF13A29S7A	RS
	240	0.83	3	15 1/2	(394)	8	(4)	BDNF15J29S5A	RS	BDNF15J29S7A	RS
	240	1.00	3	18	(457)	9	(4)	BDNF18A29S5A	RS	BDNF18A29S7A	RS
	240	1.33	3	22 1/2	(572)	10	(5)	BDNF22J29S5A	RS	BDNF22J29S7A	RS
	480	1.33	3	22 1/2	(572)	10	(5)	BDNF22J30S5A	RS	BDNF22J30S7A	RS
	240	1.67	3	27 1/2	(699)	11	(5)	BDNF27J29S5A	RS	BDNF27J29S7A	RS
	480	1.67	3	27 1/2	(699)	11	(5)	BDNF27J30S5A	RS	BDNF27J30S7A	RS
	240	2.00	3	32 1/2	(826)	12	(6)	BDNF32J29S5A	RS	BDNF32J29S7A	RS
	480	2.00	3	32 1/2	(826)	12	(6)	BDNF32J30S5A	RS	BDNF32J30S7A	RS
	240	2.67	3	42	(1067)	14	(7)	BDNF42A29S5A	RS	BDNF42A29S7A	RS
	480	2.67	3	42	(1067)	14	(7)	BDNF42A30S5A	RS	BDNF42A30S7A	RS
	240	3.33	3	51 1/2	(1308)	16	(8)	BDNF51J29S5A	RS	BDNF51J29S7A	RS
480	3.33	3	51 1/2	(1308)	16	(8)	BDNF51J30S5A	RS	BDNF51J30S7A	RS	
Moisture/Explosion-Resistant Enclosure ⑤											
15 W/in² ③ 304 SS Plug 1-Alloy 800 Element (2.3 W/cm²)	240	0.67	3	13	(330)	10	(5)	BDNF13A29C5A	RS	BDNF13A29C7A	RS
	240	0.83	3	15 1/2	(394)	11	(5)	BDNF15J29C5A	RS	BDNF15J29C7A	RS
	240	1.00	3	18	(457)	12	(6)	BDNF18A29C5A	RS	BDNF18A29C7A	RS
	240	1.33	3	22 1/2	(572)	13	(6)	BDNF22J29C5A	RS	BDNF22J29C7A	RS
	480	1.33	3	22 1/2	(572)	13	(6)	BDNF22J30C5A	RS	BDNF22J30C7A	RS
	240	1.67	3	27 1/2	(699)	14	(7)	BDNF27J29C5A	RS	BDNF27J29C7A	RS
	480	1.67	3	27 1/2	(699)	14	(7)	BDNF27J30C5A	RS	BDNF27J30C7A	RS
	240	2.00	3	32 1/2	(826)	15	(7)	BDNF32J29C5A	RS	BDNF32J29C7A	RS
	480	2.00	3	32 1/2	(826)	15	(7)	BDNF32J30C5A	RS	BDNF32J30C7A	RS
	240	2.67	3	42	(1067)	17	(8)	BDNF42A29C5A	RS	BDNF42A29C7A	RS
	480	2.67	3	42	(1067)	17	(8)	BDNF42A30C5A	RS	BDNF42A30C7A	RS
	240	3.33	3	51 1/2	(1308)	19	(9)	BDNF51J29C5A	RS	BDNF51J29C7A	RS
480	3.33	3	51 1/2	(1308)	19	(9)	BDNF51J30C5A	RS	BDNF51J30C7A	RS	



- RS - Next day shipment up to 5 pieces

Note: All screw plug bundles are designed to fit the inside diameter of the equivalent mating coupling. They will not fit into the equivalent pipe inside diameter.

- ③ Wired for 3-phase operation only
- ⑤ No third party recognition

Immersion Heaters

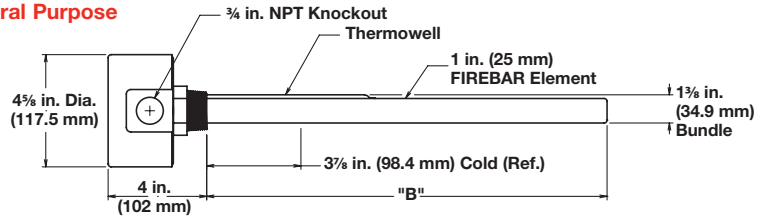
WATROD and FIREBAR Screw Plug Immersion Heaters



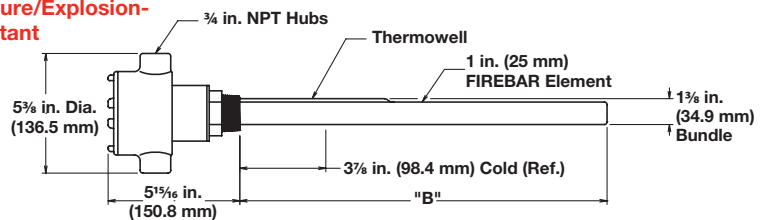
Application: Medium Weight Oils and Heat Transfer Oils

- 1 1/4 inch NPT screw plug
- FIREBAR elements
- Without thermostat
- General purpose or moisture/explosion-resistant enclosure (suitable for use in non-classified areas only)

General Purpose



Moisture/Explosion-Resistant



Description	Volts	kW	Ph	"B" Dim. in. (mm)	Part Number	Del.	Ship Wt. lbs (kg)	Part Number ⑤	Del.	Ship Wt. lbs (kg)	
					General Purpose Enclosure			Moisture/Explosion-Resistant Enclosure			
15 W/in ² ③ 304 SS Plug 1-Alloy 800 Element (2.3 W/cm ²)	240	0.67	3	13 (330)	BDNF13A29S	RS	6 (3)	BDNF13A29C	RS	9 (4)	
	240	0.83	3	15 1/2 (394)	BDNF15J29S	RS	7 (4)	BDNF15J29C	RS	10 (5)	
	240	1.00	3	18 (457)	BDNF18A29S	RS	8 (4)	BDNF18A29C	RS	11 (5)	
	240	1.33	3	22 1/2 (572)	BDNF22J29S	RS	9 (4)	BDNF22J29C	RS	12 (6)	
	480	1.33	3	22 1/2 (572)	BDNF22J30S	RS	9 (4)	BDNF22J30C	RS	12 (6)	
	240	1.67	3	27 1/2 (699)	BDNF27J29S	RS	10 (5)	BDNF27J29C	RS	13 (6)	
	480	1.67	3	27 1/2 (699)	BDNF27J30S	RS	10 (5)	BDNF27J30C	RS	13 (6)	
	240	2.00	3	32 1/2 (826)	BDNF32J29S	RS	11 (5)	BDNF32J29C	RS	14 (7)	
	480	2.00	3	32 1/2 (826)	BDNF32J30S	RS	11 (5)	BDNF32J30C	RS	14 (7)	
	240	2.67	3	42 (1067)	BDNF42A29S	RS	13 (6)	BDNF42A29C	RS	16 (8)	
	480	2.67	3	42 (1067)	BDNF42A30S	RS	13 (6)	BDNF42A30C	RS	16 (8)	
	240	3.33	3	51 1/2 (1308)	BDNF51J29S	RS	15 (7)	BDNF51J29C	RS	18 (9)	
	480	3.33	3	51 1/2 (1308)	BDNF51J30S	RS	15 (7)	BDNF51J30C	RS	18 (9)	

RAPID SHIP

- RS - Next day shipment up to 5 pieces

Note: All screw plug bundles are designed to fit the inside diameter of the equivalent mating coupling. They will not fit into the equivalent pipe inside diameter.

- ③ Wired for 3-phase operation only
- ⑤ No third party recognition

Immersion Heaters

WATROD and FIREBAR Screw Plug Immersion Heaters

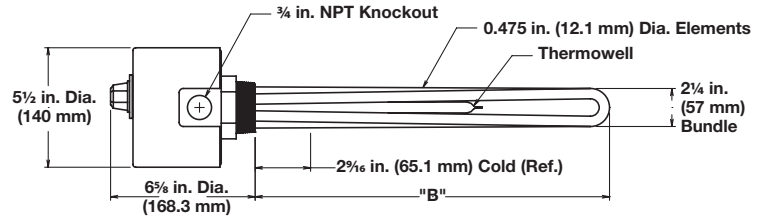


Application: Medium Weight Oils and Heat Transfer Oils

- 2 inch NPT screw plug
- WATROD elements
- With thermostat (DPST)

Note: Higher amperage products require a pilot duty thermostat with separate power controller. Please see following pages for available heaters without thermostats.

- General purpose enclosure



Description	Volts	kW	Ph	"B" Dim. in. (mm)		Ship Wt. lbs (kg)		Type 4 (30-110°F)		Type 5A (60 to 250°F)		Type 7A (100 to 550°F)		
								Part Number	Del.	Part Number	Del.	Part Number	Del.	
General Purpose Enclosure														
16 W/in² ③ 304 SS Plug 3-Alloy 800 Elements (2.5 W/cm²)	240	1.0	3	9 ³ / ₄	(248)	6	(3)	BHN79N12S4	RS	BHN79N12S5A	RS	BHN79N12S7A	RS	
	480	1.0	3	9 ³ / ₄	(248)	6	(3)	BHN79N13S4	RS	BHN79N13S5A	RS	BHN79N13S7A	RS	
	240	1.5	3	13 ¹ / ₄	(337)	7	(4)	BHN713E12S4	RS	BHN713E12S5A	RS	BHN713E12S7A	RS	
	480	1.5	3	13 ¹ / ₄	(337)	7	(4)	BHN713E13S4	RS	BHN713E13S5A	RS	BHN713E13S7A	RS	
	240	2.0	3	17 ³ / ₄	(451)	8	(4)	BHN717N12S4	RS	BHN717N12S5A	RS	BHN717N12S7A	RS	
	480	2.0	3	17 ³ / ₄	(451)	8	(4)	BHN717N13S4	RS	BHN717N13S5A	RS	BHN717N13S7A	RS	
	240	2.5	3	20 ¹ / ₄	(514)	9	(4)	BHN720E12S4	RS	BHN720E12S5A	RS	BHN720E12S7A	RS	
	480	2.5	3	20 ¹ / ₄	(514)	9	(4)	BHN720E13S4	RS	BHN720E13S5A	RS	BHN720E13S7A	RS	
	240	3.0	3	25 ¹ / ₄	(641)	10	(5)	BHN725E12S4	RS	BHN725E12S5A	RS	BHN725E12S7A	RS	
	480	3.0	3	25 ¹ / ₄	(641)	10	(5)	BHN725E13S4	RS	BHN725E13S5A	RS	BHN725E13S7A	RS	
	240	4.0	3	32 ³ / ₄	(832)	10	(5)	BHN732N12S4	RS	BHN732N12S5A	RS	BHN732N12S7A	RS	
	480	4.0	3	32 ³ / ₄	(832)	10	(5)	BHN732N13S4	RS	BHN732N13S5A	RS	BHN732N13S7A	RS	
	240	5.0	3	40 ¹ / ₄	(1022)	11	(5)	BHN740E12S4	RS	BHN740E12S5A	RS	BHN740E12S7A	RS	
	480	5.0	3	40 ¹ / ₄	(1022)	11	(5)	BHN740E13S4	RS	BHN740E13S5A	RS	BHN740E13S7A	RS	
240	6.0	3	47 ³ / ₄	(1213)	12	(6)	BHN747N12S4	RS	BHN747N12S5A	RS	BHN747N12S7A	RS		
480	6.0	3	47 ³ / ₄	(1213)	12	(6)	BHN747N13S4	RS	BHN747N13S5A	RS	BHN747N13S7A	RS		
15 W/in² Steel Plug 3-Steel Elements (2.3 W/cm²)	240	1.5	3	13 ¹ / ₄	(337)	7	(4)	BHSS13E3S4	RS	BHSS13E3S5A	RS	BHSS13E3S7A	RS	
	480	1.5	3	13 ¹ / ₄	(337)	7	(4)	BHSS13E13S4	RS	BHSS13E13S5A	RS	BHSS13E13S7A	RS	
	240	2.0	3	17 ¹ / ₂	(445)	8	(4)	BHSS17J3S4	RS	BHSS17J3S5A	RS	BHSS17J3S7A	RS	
	480	2.0	3	17 ¹ / ₂	(445)	8	(4)	BHSS17J5S4	RS	BHSS17J5S5A	RS	BHSS17J5S7A	RS	
	240	2.5	3	20 ¹ / ₂	(521)	9	(4)	BHSS20J3S4	RS	BHSS20J3S5A	RS	BHSS20J3S7A	RS	
	480	2.5	3	20 ¹ / ₂	(521)	9	(4)	BHSS20J5S4	RS	BHSS20J5S5A	RS	BHSS20J5S7A	RS	
	240	3.0	3	25	(635)	10	(5)	BHSS25A3S4	RS	BHSS25A3S5A	RS	BHSS25A3S7A	RS	
	480	3.0	3	25	(635)	10	(5)	BHSS25A5S4	RS	BHSS25A5S5A	RS	BHSS25A5S7A	RS	
	240	4.0	3	32 ¹ / ₂	(826)	13	(6)	BHSS32J3S4	RS	BHSS32J3S5A	RS	BHSS32J3S7A	RS	
	480	4.0	3	32 ¹ / ₂	(826)	13	(6)	BHSS32J5S4	RS	BHSS32J5S5A	RS	BHSS32J5S7A	RS	
	240	5.0	3	40	(1016)	14	(7)	BHSS40A3S4	RS	BHSS40A3S5A	RS	BHSS40A3S7A	RS	
	480	5.0	3	40	(1016)	14	(7)	BHSS40A5S4	RS	BHSS40A5S5A	RS	BHSS40A5S7A	RS	
	240	6.0	3	47 ¹ / ₂	(1207)	14	(7)	BHSS47J3S4	RS	BHSS47J3S5A	RS	BHSS47J3S7A	RS	
	480	6.0	3	47 ¹ / ₂	(1207)	14	(7)	BHSS47J5S4	RS	BHSS47J5S5A	RS	BHSS47J5S7A	RS	
240	7.5	3	58 ¹ / ₂	(1486)	17	(8)	BHSS58J3S4	RS	BHSS58J3S5A	RS	BHSS58J3S7A	RS		
240	9.0	3	69 ³ / ₄	(1772)	21	(10)	BHSS69N3S4	RS	BHSS69N3S5A	RS	BHSS69N3S7A	RS		

RAPID SHIP

- RS - Next day shipment up to 5 pieces

Note: All screw plug bundles are designed to fit the inside diameter of the equivalent mating coupling. They will not fit into the equivalent pipe inside diameter.

③ Wired for 3-phase operation only

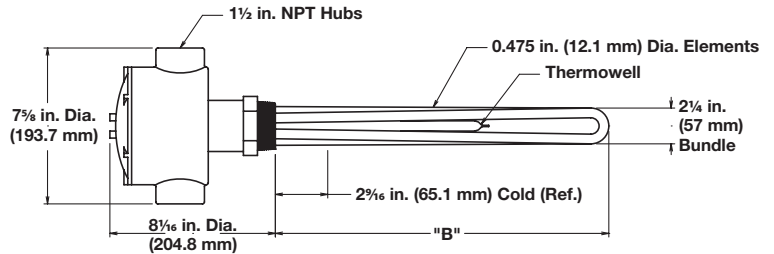
Immersion Heaters

WATROD and FIREBAR Screw Plug Immersion Heaters

Application: Medium Weight Oils and Heat Transfer Oils

- 2 inch NPT screw plug
- WATROD elements
- With thermostat (DPST)

Note: Higher amperage products require a pilot duty thermostat with separate power controller. Please see following pages for available heaters without thermostats.



- Moisture/explosion-resistant enclosure (suitable for use in non-classified areas only)

Description	Volts	kW	Ph	"B" Dim. in. (mm)	Ship Wt. lbs (kg)	Type 4 (30 to 110°F)		Type 5A (60 to 250°F)		Type 7A (100 to 550°F)	
						Part Number	Del.	Part Number	Del.	Part Number	Del.
Moisture/Explosion-Resistant Enclosure ⑤											
16 W/in² ③ 304 SS Plug 3-Alloy 800 Elements (2.5 W/cm²)	240	1.0	3	9 ³ / ₄ (248)	9 (4)	BHN79N12C4	RS	BHN79N12C5A	RS	BHN79N12C7A	RS
	480	1.0	3	9 ³ / ₄ (248)	9 (4)	BHN79N13C4	RS	BHN79N13C5A	RS	BHN79N13C7A	RS
	240	1.5	3	13 ¹ / ₄ (337)	10 (5)	BHN713E12C4	RS	BHN713E12C5A	RS	BHN713E12C7A	RS
	480	1.5	3	13 ¹ / ₄ (337)	10 (5)	BHN713E13C4	RS	BHN713E13C5A	RS	BHN713E13C7A	RS
	240	2.0	3	17 ³ / ₄ (451)	11 (5)	BHN717N12C4	RS	BHN717N12C5A	RS	BHN717N12C7A	RS
	480	2.0	3	17 ³ / ₄ (451)	11 (5)	BHN717N13C4	RS	BHN717N13C5A	RS	BHN717N13C7A	RS
	240	2.5	3	20 ¹ / ₄ (514)	12 (6)	BHN720E12C4	RS	BHN720E12C5A	RS	BHN720E12C7A	RS
	480	2.5	3	20 ¹ / ₄ (514)	12 (6)	BHN720E13C4	RS	BHN720E13C5A	RS	BHN720E13C7A	RS
	240	3.0	3	25 ¹ / ₄ (641)	13 (6)	BHN725E12C4	RS	BHN725E12C5A	RS	BHN725E12C7A	RS
	480	3.0	3	25 ¹ / ₄ (641)	13 (6)	BHN725E13C4	RS	BHN725E13C5A	RS	BHN725E13C7A	RS
	240	4.0	3	32 ³ / ₄ (832)	13 (6)	BHN732N12C4	RS	BHN732N12C5A	RS	BHN732N12C7A	RS
	480	4.0	3	32 ³ / ₄ (832)	13 (6)	BHN732N13C4	RS	BHN732N13C5A	RS	BHN732N13C7A	RS
	240	5.0	3	40 ¹ / ₄ (1022)	14 (7)	BHN740E12C4	RS	BHN740E12C5A	RS	BHN740E12C7A	RS
	480	5.0	3	40 ¹ / ₄ (1022)	14 (7)	BHN740E13C4	RS	BHN740E13C5A	RS	BHN740E13C7A	RS
	240	6.0	3	47 ³ / ₄ (1213)	15 (7)	BHN747N12C4	RS	BHN747N12C5A	RS	BHN747N12C7A	RS
	480	6.0	3	47 ³ / ₄ (1213)	15 (7)	BHN747N13C4	RS	BHN747N13C5A	RS	BHN747N13C7A	RS
15 W/in² Steel Plug 3-Steel Elements (2.3 W/cm²)	240	1.5	3	13 ¹ / ₄ (337)	10 (5)	BHSS13E3C4	RS	BHSS13E3C5A	RS	BHSS13E3C7A	RS
	480	1.5	3	13 ¹ / ₄ (337)	10 (5)	BHSS13E13C4	RS	BHSS13E13C5A	RS	BHSS13E13C7A	RS
	240	2.0	3	17 ¹ / ₂ (445)	11 (5)	BHSS17J3C4	RS	BHSS17J3C5A	RS	BHSS17J3C7A	RS
	480	2.0	3	17 ¹ / ₂ (445)	11 (5)	BHSS17J5C4	RS	BHSS17J5C5A	RS	BHSS17J5C7A	RS
	240	2.5	3	20 ¹ / ₂ (521)	12 (6)	BHSS20J3C4	RS	BHSS20J3C5A	RS	BHSS20J3C7A	RS
	480	2.5	3	20 ¹ / ₂ (521)	12 (6)	BHSS20J5C4	RS	BHSS20J5C5A	RS	BHSS20J5C7A	RS
	240	3.0	3	25 (635)	13 (6)	BHSS25A3C4	RS	BHSS25A3C5A	RS	BHSS25A3C7A	RS
	480	3.0	3	25 (635)	13 (6)	BHSS25A5C4	RS	BHSS25A5C5A	RS	BHSS25A5C7A	RS
	240	4.0	3	32 ¹ / ₂ (826)	16 (8)	BHSS32J3C4	RS	BHSS32J3C5A	RS	BHSS32J3C7A	RS
	480	4.0	3	32 ¹ / ₂ (826)	16 (8)	BHSS32J5C4	RS	BHSS32J5C5A	RS	BHSS32J5C7A	RS
	240	5.0	3	40 (1016)	17 (8)	BHSS40A3C4	RS	BHSS40A3C5A	RS	BHSS40A3C7A	RS
	480	5.0	3	40 (1016)	17 (8)	BHSS40A5C4	RS	BHSS40A5C5A	RS	BHSS40A5C7A	RS
	240	6.0	3	47 ¹ / ₂ (1207)	17 (8)	BHSS47J3C4	RS	BHSS47J3C5A	RS	BHSS47J3C7A	RS
	480	6.0	3	47 ¹ / ₂ (1207)	17 (8)	BHSS47J5C4	RS	BHSS47J5C5A	RS	BHSS47J5C7A	RS
	240	7.5	3	58 ¹ / ₂ (1486)	20 (9)	BHSS58J3C4	RS	BHSS58J3C5A	RS	BHSS58J3C7A	RS
	240	9.0	3	69 ³ / ₄ (1772)	24 (11)	BHSS69N3C4	RS	BHSS69N3C5A	RS	BHSS69N3C7A	RS

RAPID SHIP

- RS - Next day shipment up to 5 pieces

Note: All screw plug bundles are designed to fit the inside diameter of the equivalent mating coupling. They will not fit into the equivalent pipe inside diameter.

③ Wired for 3-phase operation only

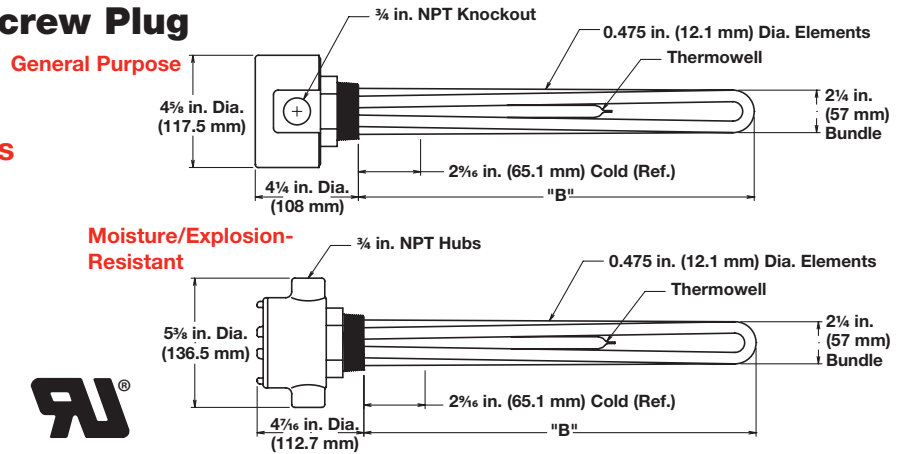
⑤ No third party recognition

Immersion Heaters

WATROD and FIREBAR Screw Plug Immersion Heaters

Application: Medium Weight Oils and Heat Transfer Oils

- 2 inch NPT screw plug
- WATROD elements
- Without thermostat
- General purpose or moisture/explosion-resistant enclosure (suitable for use in non-classified areas only)



Description	Volts	kW	Ph	"B" Dim. in. (mm)	Part Number	Del.	Ship Wt.		Part Number ⑤	Del.	Ship Wt.	
							lbs	(kg)			lbs	(kg)
					General Purpose Enclosure				Moisture/Explosion-Resistant Enclosure			
16 W/in ² ③ 304 SS Plug 3-Alloy 800 Elements (2.5 W/cm ²)	240	1.0	3	9 ³ / ₄ (248)	BHN79N12S	RS	5	(3)	BHN79N12C	RS	8	(4)
	480	1.0	3	9 ³ / ₄ (248)	BHN79N13S	RS	5	(3)	BHN79N13C	RS	8	(4)
	240	1.5	3	13 ¹ / ₄ (337)	BHN713E12S	RS	6	(3)	BHN713E12C	RS	9	(4)
	480	1.5	3	13 ¹ / ₄ (337)	BHN713E13S	RS	6	(3)	BHN713E13C	RS	9	(4)
	240	2.0	3	17 ³ / ₄ (451)	BHN717N12S	RS	7	(4)	BHN717N12C	RS	10	(5)
	480	2.0	3	17 ³ / ₄ (451)	BHN717N13S	RS	7	(4)	BHN717N13C	RS	10	(5)
	240	2.5	3	20 ¹ / ₄ (514)	BHN720E12S	RS	8	(4)	BHN720E12C	RS	11	(5)
	480	2.5	3	20 ¹ / ₄ (514)	BHN720E13S	RS	8	(4)	BHN720E13C	RS	11	(5)
	240	3.0	3	25 ¹ / ₄ (641)	BHN725E12S	RS	9	(4)	BHN725E12C	RS	12	(6)
	480	3.0	3	25 ¹ / ₄ (641)	BHN725E13S	RS	9	(4)	BHN725E13C	RS	12	(6)
	240	4.0	3	32 ³ / ₄ (832)	BHN732N12S	RS	9	(4)	BHN732N12C	RS	12	(6)
	480	4.0	3	32 ³ / ₄ (832)	BHN732N13S	RS	9	(4)	BHN732N13C	RS	12	(6)
	240	5.0	3	40 ¹ / ₄ (1022)	BHN740E12S	RS	10	(5)	BHN740E12C	RS	13	(6)
	480	5.0	3	40 ¹ / ₄ (1022)	BHN740E13S	RS	10	(5)	BHN740E13C	RS	13	(6)
240	6.0	3	47 ³ / ₄ (1213)	BHN747N12S	RS	11	(5)	BHN747N12C	RS	14	(7)	
480	6.0	3	47 ³ / ₄ (1213)	BHN747N13S	RS	11	(5)	BHN747N13C	RS	14	(7)	
15 W/in ² Steel Plug 3-Steel Elements (2.3 W/cm ²)	240	1.5	3	13 ¹ / ₄ (337)	BHSS13E3S	RS	6	(3)	BHSS13E3C	RS	9	(4)
	480	1.5	3	13 ¹ / ₄ (337)	BHSS13E13S	RS	6	(3)	BHSS13E13C	RS	9	(4)
	240	2.0	3	17 ¹ / ₂ (445)	BHSS17J3S	RS	7	(4)	BHSS17J3C	RS	10	(5)
	480	2.0	3	17 ¹ / ₂ (445)	BHSS17J5S	RS	7	(4)	BHSS17J5C	RS	10	(5)
	240	2.5	3	20 ¹ / ₂ (521)	BHSS20J3S	RS	8	(4)	BHSS20J3C	RS	11	(5)
	480	2.5	3	20 ¹ / ₂ (521)	BHSS20J5S	RS	8	(4)	BHSS20J5C	RS	11	(5)
	240	3.0	3	25 (635)	BHSS25A3S	RS	9	(4)	BHSS25A3C	RS	12	(6)
	480	3.0	3	25 (635)	BHSS25A5S	RS	9	(4)	BHSS25A5C	RS	12	(6)
	240	4.0	3	32 ¹ / ₂ (826)	BHSS32J3S	RS	9	(4)	BHSS32J3C	RS	12	(6)
	480	4.0	3	32 ¹ / ₂ (826)	BHSS32J5S	RS	9	(4)	BHSS32J5C	RS	12	(6)
	240	5.0	3	40 (1016)	BHSS40A3S	RS	10	(5)	BHSS40A3C	RS	13	(6)
	480	5.0	3	40 (1016)	BHSS40A5S	RS	10	(5)	BHSS40A5C	RS	13	(6)
	240	6.0	3	47 ¹ / ₂ (1207)	BHSS47J3S	RS	11	(5)	BHSS47J3C	RS	14	(7)
	480	6.0	3	47 ¹ / ₂ (1207)	BHSS47J5S	RS	11	(5)	BHSS47J5C	RS	14	(7)
	240	7.5	3	58 ¹ / ₂ (1486)	BHSS58J3S	RS	14	(7)	BHSS58J3C	RS	17	(8)
	480	7.5	3	58 ¹ / ₂ (1486)	BHSS58J5S	RS	14	(7)	BHSS58J5C	RS	17	(8)
240	9.0	3	69 ³ / ₄ (1772)	BHSS69N3S	RS	16	(8)	BHSS69N3C	RS	19	(9)	

RAPID SHIP

- RS - Next day shipment up to 5 pieces

Note: All screw plug bundles are designed to fit the inside diameter of the equivalent mating coupling. They will not fit into the equivalent pipe inside diameter.

- ③ Wired for 3-phase operation only
- ⑤ No third party recognition

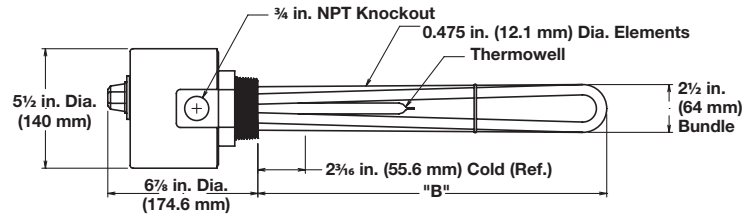
Immersion Heaters

WATROD and FIREBAR Screw Plug Immersion Heaters



Application: Medium Weight Oils and Heat Transfer Oils

- 2 1/2 inch NPT screw plug
- WATROD elements
- With thermostat (DPST)
- General purpose enclosure



Description	Volts	kW	Ph	"B" Dim. in. (mm)	Ship Wt. lbs (kg)	Type 4 (30-110°F)		Type 5A (60-250°F)		Type 7A (100-550°F)	
						Part Number	Del.	Part Number	Del.	Part Number	Del.
General Purpose Enclosure											
16 W/in² ③ 304 SS Plug 3-Alloy 800 Elements (2.5 W/cm²)	240	1.0	3	9 ³ / ₈ (238.1)	7 (4)	BLN79G12S4	RS	BLN79G12S5A	RS	BLN79G12S7A	RS
	480	1.0	3	9 ³ / ₈ (238.1)	7 (4)	BLN79G13S4	RS	BLN79G13S5A	RS	BLN79G13S7A	RS
	240	1.5	3	12 ⁷ / ₈ (327.0)	8 (4)	BLN712R12S4	RS	BLN712R12S5A	RS	BLN712R12S7A	RS
	480	1.5	3	12 ⁷ / ₈ (327.0)	8 (4)	BLN712R13S4	RS	BLN712R13S5A	RS	BLN712R13S7A	RS
	240	2.0	3	17 ³ / ₈ (441.3)	10 (5)	BLN717G12S4	RS	BLN717G12S5A	RS	BLN717G12S7A	RS
	480	2.0	3	17 ³ / ₈ (441.3)	10 (5)	BLN717G13S4	RS	BLN717G13S5A	RS	BLN717G13S7A	RS
	240	2.5	3	19 ⁷ / ₈ (504.8)	12 (6)	BLN719R12S4	RS	BLN719R12S5A	RS	BLN719R12S7A	RS
	480	2.5	3	19 ⁷ / ₈ (504.8)	12 (6)	BLN719R13S4	RS	BLN719R13S5A	RS	BLN719R13S7A	RS
	240	3.0	3	24 ⁷ / ₈ (631.8)	13 (6)	BLN724R12S4	RS	BLN724R12S5A	RS	BLN724R12S7A	RS
	480	3.0	3	24 ⁷ / ₈ (631.8)	13 (6)	BLN724R13S4	RS	BLN724R13S5A	RS	BLN724R13S7A	RS
	240	4.0	3	32 ³ / ₈ (822.3)	15 (7)	BLN732G12S4	RS	BLN732G12S5A	RS	BLN732G12S7A	RS
	480	4.0	3	32 ³ / ₈ (822.3)	15 (7)	BLN732G13S4	RS	BLN732G13S5A	RS	BLN732G13S7A	RS
	240	5.0	3	39 ⁷ / ₈ (1012.8)	16 (8)	BLN739R12S4	RS	BLN739R12S5A	RS	BLN739R12S7A	RS
	480	5.0	3	39 ⁷ / ₈ (1012.8)	16 (8)	BLN739R13S4	RS	BLN739R13S5A	RS	BLN739R13S7A	RS
	240	6.0	3	47 ³ / ₈ (1203.3)	18 (9)	BLN747G12S4	RS	BLN747G12S5A	RS	BLN747G12S7A	RS
	480	6.0	3	47 ³ / ₈ (1203.3)	18 (9)	BLN747G13S4	RS	BLN747G13S5A	RS	BLN747G13S7A	RS

RAPID SHIP

- RS - Next day shipment up to 5 pieces

Note: All screw plug bundles are designed to fit the inside diameter of the equivalent mating coupling. They will not fit into the equivalent pipe inside diameter.

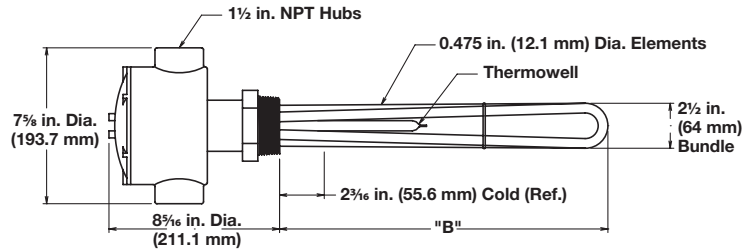
③ Wired for 3-phase operation only

Immersion Heaters

WATROD and FIREBAR Screw Plug Immersion Heaters

Application: Medium Weight Oils and Heat Transfer Oils

- 2 1/2 inch NPT screw plug
- WATROD elements
- With thermostat (DPST)
- Moisture/explosion-resistant enclosure (suitable for use in non-classified areas only)



Description	Volts	kW	Ph	"B" Dim. in. (mm)	Ship Wt. lbs (kg)	Type 4 (30-110°F)		Type 5A (60-250°F)		Type 7A (100-550°F)	
						Part Number	Del.	Part Number	Del.	Part Number	Del.
Moisture/Explosion-Resistant Enclosure ⑤											
16 W/in² ③ 304 SS Plug 3-Alloy 800 Elements (2.5 W/cm²)	240	1.0	3	9 ³ / ₈ (238.1)	10 (5)	BLN79G12C4	RS	BLN79G12C5A	RS	BLN79G12C7A	RS
	480	1.0	3	9 ³ / ₈ (238.1)	10 (5)	BLN79G13C4	RS	BLN79G13C5A	RS	BLN79G13C7A	RS
	240	1.5	3	12 ⁷ / ₈ (327.0)	11 (5)	BLN712R12C4	RS	BLN712R12C5A	RS	BLN712R12C7A	RS
	480	1.5	3	12 ⁷ / ₈ (327.0)	11 (5)	BLN712R13C4	RS	BLN712R13C5A	RS	BLN712R13C7A	RS
	240	2.0	3	17 ³ / ₈ (441.3)	13 (6)	BLN717G12C4	RS	BLN717G12C5A	RS	BLN717G12C7A	RS
	480	2.0	3	17 ³ / ₈ (441.3)	13 (6)	BLN717G13C4	RS	BLN717G13C5A	RS	BLN717G13C7A	RS
	240	2.5	3	19 ⁷ / ₈ (504.8)	15 (7)	BLN719R12C4	RS	BLN719R12C5A	RS	BLN719R12C7A	RS
	480	2.5	3	19 ⁷ / ₈ (504.8)	15 (7)	BLN719R13C4	RS	BLN719R13C5A	RS	BLN719R13C7A	RS
	240	3.0	3	24 ⁷ / ₈ (631.8)	16 (8)	BLN724R12C4	RS	BLN724R12C5A	RS	BLN724R12C7A	RS
	480	3.0	3	24 ⁷ / ₈ (631.8)	16 (8)	BLN724R13C4	RS	BLN724R13C5A	RS	BLN724R13C7A	RS
	240	4.0	3	32 ³ / ₈ (822.3)	18 (9)	BLN732G12C4	RS	BLN732G12C5A	RS	BLN732G12C7A	RS
	480	4.0	3	32 ³ / ₈ (822.3)	18 (9)	BLN732G13C4	RS	BLN732G13C5A	RS	BLN732G13C7A	RS
	240	5.0	3	39 ⁷ / ₈ (1012.8)	19 (9)	BLN739R12C4	RS	BLN739R12C5A	RS	BLN739R12C7A	RS
	480	5.0	3	39 ⁷ / ₈ (1012.8)	19 (9)	BLN739R13C4	RS	BLN739R13C5A	RS	BLN739R13C7A	RS
	240	6.0	3	47 ³ / ₈ (1203.3)	21 (10)	BLN747G12C4	RS	BLN747G12C5A	RS	BLN747G12C7A	RS
	480	6.0	3	47 ³ / ₈ (1203.3)	21 (10)	BLN747G13C4	RS	BLN747G13C5A	RS	BLN747G13C7A	RS

RAPID SHIP

- RS - Next day shipment up to 5 pieces

Note: All screw plug bundles are designed to fit the inside diameter of the equivalent mating coupling. They will not fit into the equivalent pipe inside diameter.

- ③ Wired for 3-phase operation only
- ⑤ No third party recognition

Immersion Heaters

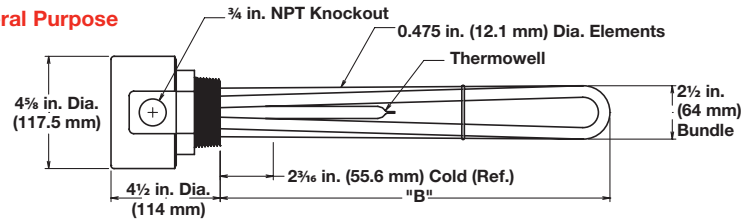
WATROD and FIREBAR Screw Plug Immersion Heaters



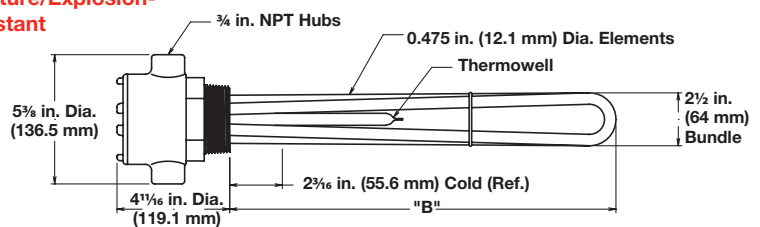
Application: Medium Weight Oils and Heat Transfer Oils

- 2 1/2 inch NPT screw plug
- WATROD elements
- Without thermostat
- General purpose or moisture/explosion-resistant enclosure (suitable for use in non-classified areas only)

General Purpose



Moisture/Explosion-Resistant



Description	Volts	kW	Ph	"B" Dim. in. (mm)	Part Number	Del.	Ship Wt. lbs (kg)	Part Number ⑤	Del.	Ship Wt. lbs (kg)
16 W/in ² ③ 304 SS Plug 3-Alloy 800 Elements (2.5 W/cm ²)	240	1.0	1	9 ³ / ₈ (238.1)	General Purpose Enclosure			Moisture/Explosion-Resistant Enclosure		
	480	1.0	3	9 ³ / ₈ (238.1)	BLN79G12S	RS	6 (3)	BLN79G12C	RS	9 (4)
	480	1.0	3	9 ³ / ₈ (238.1)	BLN79G13S	RS	6 (3)	BLN79G13C	RS	9 (4)
	240	1.5	3	12 ⁷ / ₈ (327.0)	BLN712R12S	RS	7 (4)	BLN712R12C	RS	10 (5)
	480	1.5	1	12 ⁷ / ₈ (327.0)	BLN712R13S	RS	7 (4)	BLN712R13C	RS	10 (5)
	240	2.0	3	17 ³ / ₈ (441.3)	BLN717G12S	RS	9 (4)	BLN717G12C	RS	12 (6)
	480	2.0	3	17 ³ / ₈ (441.3)	BLN717G13S	RS	9 (4)	BLN717G13C	RS	12 (6)
	240	2.5	3	19 ⁷ / ₈ (504.8)	BLN719R12S	RS	11 (5)	BLN719R12C	RS	14 (7)
	480	2.5	3	19 ⁷ / ₈ (504.8)	BLN719R13S	RS	11 (5)	BLN719R13C	RS	14 (7)
	240	3.0	3	24 ⁷ / ₈ (631.8)	BLN724R12S	RS	12 (6)	BLN724R12C	RS	15 (7)
	480	3.0	3	24 ⁷ / ₈ (631.8)	BLN724R13S	RS	12 (6)	BLN724R13C	RS	15 (7)
	240	4.0	3	32 ³ / ₈ (822.3)	BLN732G12S	RS	14 (7)	BLN732G12C	RS	17 (8)
	480	4.0	3	32 ³ / ₈ (822.3)	BLN732G13S	RS	14 (7)	BLN732G13C	RS	17 (8)
	240	5.0	3	39 ⁷ / ₈ (1012.8)	BLN739R12S	RS	15 (7)	BLN739R12C	RS	18 (9)
	480	5.0	3	39 ⁷ / ₈ (1012.8)	BLN739R13S	RS	15 (7)	BLN739R13C	RS	18 (9)
	240	6.0	3	47 ³ / ₈ (1203.3)	BLN747G12S	RS	17 (8)	BLN747G12C	RS	20 (9)
480	6.0	3	47 ³ / ₈ (1203.3)	BLN747G13S	RS	17 (8)	BLN747G13C	RS	20 (9)	

RAPID SHIP

- RS - Next day shipment up to 5 pieces

Note: All screw plug bundles are designed to fit the inside diameter of the equivalent mating coupling. They will not fit into the equivalent pipe inside diameter.

- ③ Wired for 3-phase operation only
- ⑤ No third party recognition

Immersion Heaters

WATROD and FIREBAR Screw Plug Immersion Heaters



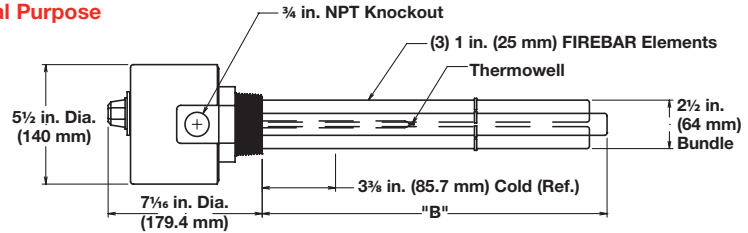
Application: Medium Weight Oils and Heat Transfer Oils

- 2 1/2 inch NPT screw plug
- FIREBAR elements
- With thermostat (DPST)

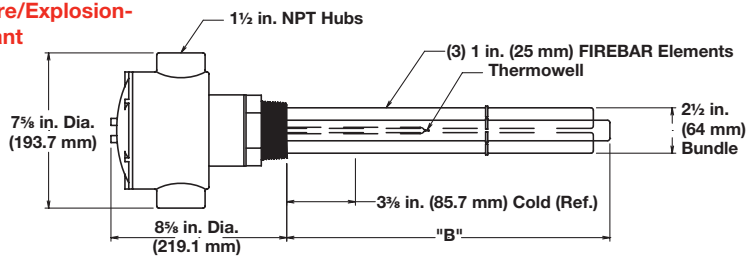
Note: Higher amperage products require a pilot duty thermostat with separate power controller. Please see following pages for available heaters without thermostats.

- General purpose or moisture/explosion-resistant enclosure (suitable for use in non-classified areas only)

General Purpose



Moisture/Explosion-Resistant



Description	Volts	kW	Ph	"B" Dim. in. (mm)	Ship Wt. lbs (kg)	Type 5A (60-250°F)		Type 7A (100-550°F)	
						Part Number	Del.	Part Number	Del.
General Purpose Enclosure									
15 W/in ² ③ 304 SS Plug 3-Alloy 800 Elements (2.3 W/cm ²)	240	2.0	3	12 (305)	11 (5)	BLNF12A29S5A	RS	BLNF12A29S7A	RS
	240	2.5	3	14 1/2 (368)	12 (6)	BLNF14J29S5A	RS	BLNF14J29S7A	RS
	240	3.0	3	17 (432)	13 (6)	BLNF17A29S5A	RS	BLNF17A29S7A	RS
	240	4.0	3	21 1/2 (546)	15 (7)	BLNF21J29S5A	RS	BLNF21J29S7A	RS
	480	4.0	3	21 1/2 (546)	15 (7)	BLNF21J30S5A	RS	BLNF21J30S7A	RS
	240	5.0	3	26 1/2 (673)	18 (9)	BLNF26J29S5A	RS	BLNF26J29S7A	RS
	480	5.0	3	26 1/2 (673)	18 (9)	BLNF26J30S5A	RS	BLNF26J30S7A	RS
	240	6.0	3	31 1/2 (800)	19 (9)	BLNF31J29S5A	RS	BLNF31J29S7A	RS
	480	6.0	3	31 1/2 (800)	19 (9)	BLNF31J30S5A	RS	BLNF31J30S7A	RS
	240	8.0	3	41 (1041)	21 (10)	BLNF41A29S5A	RS	BLNF41A29S7A	RS
240	10.0	3	50 1/2 (1283)	23 (11)	BLNF50J29S5A	RS	BLNF50J29S7A	RS	
Moisture/Explosion-Resistant Enclosure ⑤									
15 W/in ² ③ 304 SS Plug 3-Alloy 800 Elements (2.3 W/cm ²)	240	2.0	3	12 (305)	14 (7)	BLNF12A29C5A	RS	BLNF12A29C7A	RS
	240	2.5	3	14 1/2 (368)	15 (7)	BLNF14J29C5A	RS	BLNF14J29C7A	RS
	240	3.0	3	17 (432)	16 (8)	BLNF17A29C5A	RS	BLNF17A29C7A	RS
	240	4.0	3	21 1/2 (546)	18 (9)	BLNF21J29C5A	RS	BLNF21J29C7A	RS
	480	4.0	3	21 1/2 (546)	18 (9)	BLNF21J30C5A	RS	BLNF21J30C7A	RS
	240	5.0	3	26 1/2 (673)	21 (10)	BLNF26J29C5A	RS	BLNF26J29C7A	RS
	480	5.0	3	26 1/2 (673)	21 (10)	BLNF26J30C5A	RS	BLNF26J30C7A	RS
	240	6.0	3	31 1/2 (800)	22 (10)	BLNF31J29C5A	RS	BLNF31J29C7A	RS
	480	6.0	3	31 1/2 (800)	22 (10)	BLNF31J30C5A	RS	BLNF31J30C7A	RS
	240	8.0	3	41 (1041)	24 (11)	BLNF41A29C5A	RS	BLNF41A29C7A	RS
240	10.0	3	50 1/2 (1283)	26 (11)	BLNF50J29C5A	RS	BLNF50J29C7A	RS	

RAPID SHIP

- RS - Next day shipment up to 5 pieces

Note: All screw plug bundles are designed to fit the inside diameter of the equivalent mating coupling. They will not fit into the equivalent pipe inside diameter.

- ③ Wired for 3-phase operation only
- ⑤ No third party recognition

Immersion Heaters

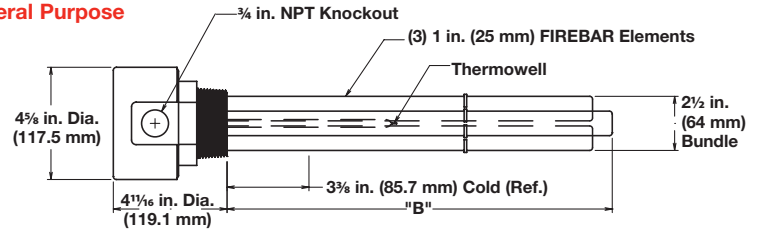
WATROD and FIREBAR Screw Plug Immersion Heaters



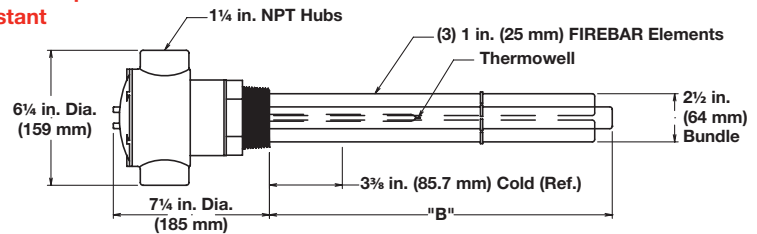
Application: Medium Weight Oils and Heat Transfer Oils

- 2 1/2 inch NPT screw plug
- FIREBAR elements
- Without thermostat
- General purpose or moisture/explosion-resistant enclosure (suitable for use in non-classified areas only)

General Purpose



Moisture/Explosion-Resistant



Description	Volts	kW	Ph	"B" Dim. In. (mm)	General Purpose Enclosure		Moisture/Explosion-Resistant Enclosure			
					Part Number	Del.	Ship Wt. lbs (kg)	Part Number ⑤	Del.	Ship Wt. lbs (kg)
15 W/in ² ③ 304 SS Plug 3-Alloy 800 Elements (2.3 W/cm ²)	240	2.0	3	12 (305)	BLNF12A29S	RS	10 (5)	BLNF12A29C	RS	13 (6)
	240	2.5	3	14 1/2 (368)	BLNF14J29S	RS	11 (5)	BLNF14J29C	RS	14 (7)
	240	3.0	3	17 (432)	BLNF17A29S	RS	12 (6)	BLNF17A29C	RS	15 (7)
	240	4.0	3	21 1/2 (546)	BLNF21J29S	RS	14 (7)	BLNF21J29C	RS	17 (8)
	480	4.0	3	21 1/2 (546)	BLNF21J30S	RS	14 (7)	BLNF21J30C	RS	17 (8)
	240	5.0	3	26 1/2 (673)	BLNF26J29S	RS	17 (8)	BLNF26J29C	RS	20 (9)
	480	5.0	3	26 1/2 (673)	BLNF26J30S	RS	17 (8)	BLNF26J30C	RS	20 (9)
	240	6.0	3	31 1/2 (800)	BLNF31J29S	RS	18 (9)	BLNF31J29C	RS	21 (10)
	480	6.0	3	31 1/2 (800)	BLNF31J30S	RS	18 (9)	BLNF31J30C	RS	21 (10)
	240	8.0	3	41 (1041)	BLNF41A29S	RS	20 (9)	BLNF41A29C	RS	23 (11)
	480	8.0	3	41 (1041)	BLNF41A30S	RS	20 (9)	BLNF41A30C	RS	23 (11)
	240	10.0	3	50 1/2 (1283)	BLNF50J29S	RS	22 (10)	BLNF50J29C	RS	25 (12)
	480	10.0	3	50 1/2 (1283)	BLNF50J30S	RS	22 (10)	BLNF50J30C	RS	25 (12)

RAPID SHIP

- RS - Next day shipment up to 5 pieces

Note: All screw plug bundles are designed to fit the inside diameter of the equivalent mating coupling. They will not fit into the equivalent pipe inside diameter.

- ③ Wired for 3-phase operation only
- ⑤ No third party recognition

Immersion Heaters

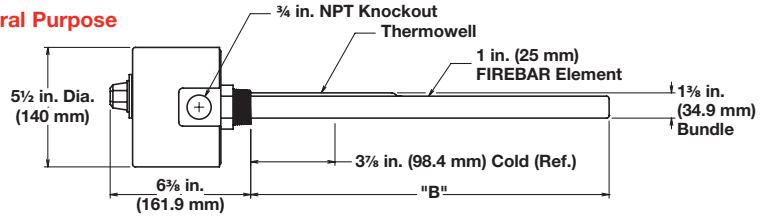
WATROD and FIREBAR Screw Plug Immersion Heaters



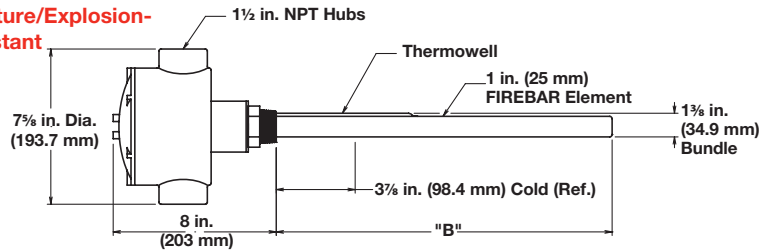
Application: Bunker C, Asphalt and #6 Fuel Oil

- 1 1/4 inch NPT screw plug
- FIREBAR elements
- With thermostat (DPST)
- General purpose or moisture/explosion-resistant enclosure (suitable for use in non-classified areas only)

General Purpose



Moisture/Explosion-Resistant



Description	Volts	kW	Ph	"B" Dim. in. (mm)	Ship Wt. lbs (kg)	Type 5A (60-250°F)		Type 7A (100-550°F)	
						Part Number	Del.	Part Number	Del.
General Purpose									
8 W/in² ③ 304 SS Plug 1-Alloy 800 Element (1.3 W/cm²)	240	0.43	3	16 1/8 (409.6)	8 (4)	BDNF16G22S5A	RS	BDNF16G22S7A	RS
	240	0.55	3	19 1/8 (485.8)	9 (4)	BDNF19G22S5A	RS	BDNF19G22S7A	RS
	240	0.70	3	24 3/8 (619.1)	10 (5)	BDNF24L22S5A	RS	BDNF24L22S7A	RS
	480	0.70	3	24 3/8 (619.1)	10 (5)	BDNF24L21S5A	RS	BDNF24L21S7A	RS
	240	0.88	3	29 5/8 (752.5)	11 (5)	BDNF29R22S5A	RS	BDNF29R22S7A	RS
	480	0.88	3	29 5/8 (752.5)	11 (5)	BDNF29R21S5A	RS	BDNF29R21S7A	RS
	240	1.08	3	34 5/8 (879.5)	12 (6)	BDNF34R22S5A	RS	BDNF34R22S7A	RS
	480	1.08	3	34 5/8 (879.5)	12 (6)	BDNF34R21S5A	RS	BDNF34R21S7A	RS
	240	1.40	3	45 1/8 (1146.2)	14 (7)	BDNF45G22S5A	RS	BDNF45G22S7A	RS
	480	1.40	3	45 1/8 (1146.2)	14 (7)	BDNF45G21S5A	RS	BDNF45G21S7A	RS
	240	1.80	3	55 5/8 (1412.9)	16 (8)	BDNF55R22S5A	RS	BDNF55R22S7A	RS
	480	1.80	3	55 5/8 (1412.9)	16 (8)	BDNF55R21S5A	RS	BDNF55R21S7A	RS
Moisture/Explosion-Resistant Enclosure ⑤									
8 W/in² ③ 304 SS Plug 1-Alloy 800 Element (1.3 W/cm²)	240	0.43	3	16 1/8 (409.6)	11 (5)	BDNF16G22C5A	RS	BDNF16G22C7A	RS
	240	0.55	3	19 1/8 (485.8)	12 (6)	BDNF19G22C5A	RS	BDNF19G22C7A	RS
	240	0.70	3	24 3/8 (619.1)	13 (6)	BDNF24L22C5A	RS	BDNF24L22C7A	RS
	480	0.70	3	24 3/8 (619.1)	13 (6)	BDNF24L21C5A	RS	BDNF24L21C7A	RS
	240	0.88	3	29 5/8 (752.5)	14 (7)	BDNF29R22C5A	RS	BDNF29R22C7A	RS
	480	0.88	3	29 5/8 (752.5)	14 (7)	BDNF29R21C5A	RS	BDNF29R21C7A	RS
	240	1.08	3	34 5/8 (879.5)	15 (7)	BDNF34R22C5A	RS	BDNF34R22C7A	RS
	480	1.08	3	34 5/8 (879.5)	15 (7)	BDNF34R21C5A	RS	BDNF34R21C7A	RS
	240	1.40	3	45 1/8 (1146.2)	17 (8)	BDNF45G22C5A	RS	BDNF45G22C7A	RS
	480	1.40	3	45 1/8 (1146.2)	17 (8)	BDNF45G21C5A	RS	BDNF45G21C7A	RS
	240	1.80	3	55 5/8 (1412.9)	19 (9)	BDNF55R22C5A	RS	BDNF55R22C7A	RS
	480	1.80	3	55 5/8 (1412.9)	19 (9)	BDNF55R21C5A	RS	BDNF55R21C7A	RS

RAPID SHIP

- RS - Next day shipment up to 5 pieces

Note: All screw plug bundles are designed to fit the inside diameter of the equivalent mating coupling. They will not fit into the equivalent pipe inside diameter.

- ③ Wired for 3-phase operation only
- ⑤ No third party recognition

Immersion Heaters

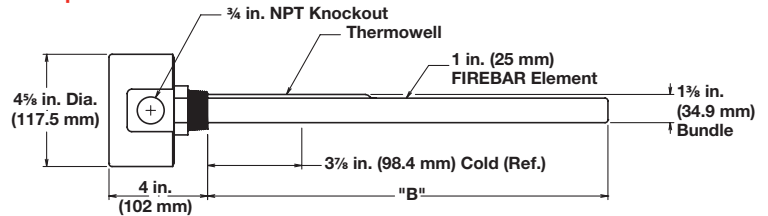
WATROD and FIREBAR Screw Plug Immersion Heaters



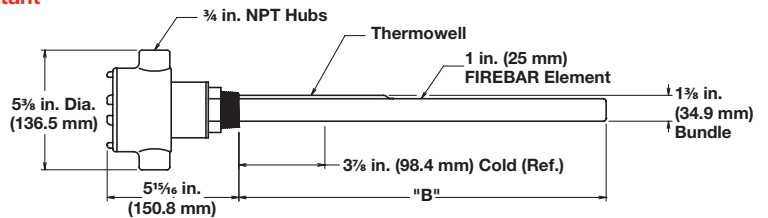
Application: Bunker C, Asphalt and #6 Fuel Oil

- 1 1/4 inch NPT screw plug
- FIREBAR elements
- Without thermostat
- General purpose or moisture/explosion-resistant enclosure (suitable for use in non-classified areas only)

General Purpose



Moisture/Explosion-Resistant



Description	Volts	kW	Ph	"B" Dim. in. (mm)	Part Number	Del.	Ship Wt. lbs (kg)	Part Number ⑤	Del.	Ship Wt. lbs (kg)
					General Purpose Enclosure			Moisture/Explosion-Resistant Enclosure		
8 W/in² ③ 304 SS Plug 1-Alloy 800 Element (1.3 W/cm²)	240	0.43	3	16 ¹ / ₈ (409.6)	BDNF16G22S	RS	7 (4)	BDNF16G22C	RS	10 (5)
	240	0.55	3	19 ¹ / ₈ (485.8)	BDNF19G22S	RS	8 (4)	BDNF19G22C	RS	11 (5)
	240	0.70	3	24 ³ / ₈ (619.1)	BDNF24L22S	RS	9 (4)	BDNF24L22C	RS	12 (6)
	480	0.70	3	24 ³ / ₈ (619.1)	BDNF24L21S	RS	9 (4)	BDNF24L21C	RS	12 (6)
	240	0.88	3	29 ⁵ / ₈ (752.5)	BDNF29R22S	RS	10 (5)	BDNF29R22C	RS	13 (6)
	480	0.88	3	29 ⁵ / ₈ (752.5)	BDNF29R21S	RS	10 (5)	BDNF29R21C	RS	13 (6)
	240	1.08	3	34 ⁵ / ₈ (879.5)	BDNF34R22S	RS	11 (5)	BDNF34R22C	RS	14 (7)
	480	1.08	3	34 ⁵ / ₈ (879.5)	BDNF34R21S	RS	11 (5)	BDNF34R21C	RS	14 (7)
	240	1.40	3	45 ¹ / ₈ (1146.2)	BDNF45G22S	RS	13 (6)	BDNF45G22C	RS	16 (8)
	480	1.40	3	45 ¹ / ₈ (1146.2)	BDNF45G21S	RS	13 (6)	BDNF45G21C	RS	16 (8)
	240	1.80	3	55 ⁵ / ₈ (1412.9)	BDNF55R22S	RS	15 (7)	BDNF55R22C	RS	18 (9)
	480	1.80	3	55 ⁵ / ₈ (1412.9)	BDNF55R21S	RS	15 (7)	BDNF55R21C	RS	18 (9)

RAPID SHIP

- RS - Next day shipment up to 5 pieces

Note: All screw plug bundles are designed to fit the inside diameter of the equivalent mating coupling. They will not fit into the equivalent pipe inside diameter.

③ Wired for 3-phase operation only

⑤ No third party recognition

Immersion Heaters

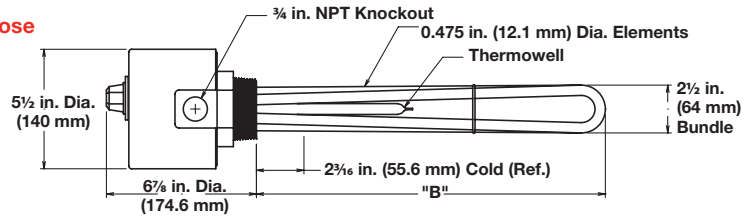
WATROD and FIREBAR Screw Plug Immersion Heaters

Application: Bunker C, Asphalt and #6 Fuel Oil

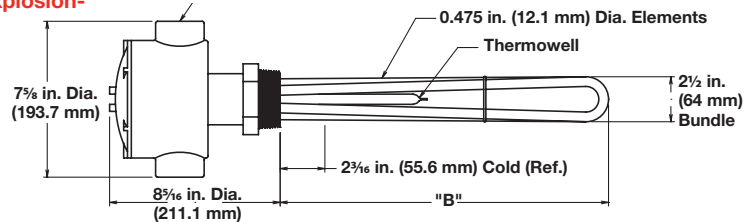
- 2 1/2 inch NPT screw plug
- WATROD elements
- With thermostat (DPST)
- General purpose or moisture/explosion-resistant enclosure (suitable for use in non-classified areas only)



General Purpose



Moisture/Explosion-Resistant



Description	Volts	kW	Ph	"B" Dim. in. (mm)	Ship Wt. lbs (kg)	Type 4 (30-110°F)		Type 5A (60-250°F)		Type 7A (100-550°F)	
						Part Number	Del.	Part Number	Del.	Part Number	Del.
General Purpose Enclosure											
8 W/in ² ③ Steel Plug 3-Steel Elements (1.3 W/cm ²)	240	1.0	3	17 1/4 (438)	10 (5)	BLS717E12S4	RS	BLS717E12S5A	RS	BLS717E12S7	RS
	480	1.0	3	17 1/4 (438)	10 (5)	BLS717E13S4	RS	BLS717E13S5A	RS	BLS717E13S7	RS
	240	1.5	3	24 3/4 (629)	13 (6)	BLS724N12S4	RS	BLS724N12S5A	RS	BLS724N12S7	RS
	480	1.5	3	24 3/4 (629)	13 (6)	BLS724N13S4	RS	BLS724N13S5A	RS	BLS724N13S7	RS
	240	2.0	3	32 1/4 (819)	15 (7)	BLS732E12S4	RS	BLS732E12S5A	RS	BLS732E12S7	RS
	480	2.0	3	32 1/4 (819)	15 (7)	BLS732E13S4	RS	BLS732E13S5A	RS	BLS732E13S7	RS
	240	2.5	3	39 3/4 (1010)	16 (8)	BLS739N12S4	RS	BLS739N12S5A	RS	BLS739N12S7	RS
	480	2.5	3	39 3/4 (1010)	16 (8)	BLS739N13S4	RS	BLS739N13S5A	RS	BLS739N13S7	RS
	240	3.0	3	47 1/4 (1200)	18 (9)	BLS747E12S4	RS	BLS747E12S5A	RS	BLS747E12S7	RS
	480	3.0	3	47 1/4 (1200)	18 (9)	BLS747E13S4	RS	BLS747E13S5A	RS	BLS747E13S7	RS
	240	4.0	3	63 3/4 (1619)	21 (10)	BLS763N12S4	RS	BLS763N12S5A	RS	BLS763N12S7	RS
	480	4.0	3	63 3/4 (1619)	21 (10)	BLS763N13S4	RS	BLS763N13S5A	RS	BLS763N13S7	RS
	240	5.0	3	76 1/4 (1937)	24 (11)	BLS776E12S4	RS	BLS776E12S5A	RS	BLS776E12S7	RS
	480	5.0	3	76 1/4 (1937)	24 (11)	BLS776E13S4	RS	BLS776E13S5A	RS	BLS776E13S7	RS
Moisture/Explosion-Resistant Enclosure ⑤											
8 W/in ² ③ Steel Plug 3-Steel Elements (1.3 W/cm ²)	240	1.0	3	17 1/4 (438)	13 (6)	BLS717E12C4	RS	BLS717E12C5A	RS	BLS717E12C7A	RS
	480	1.0	3	17 1/4 (438)	13 (6)	BLS717E13C4	RS	BLS717E13C5A	RS	BLS717E13C7A	RS
	240	1.5	3	24 3/4 (629)	16 (8)	BLS724N12C4	RS	BLS724N12C5A	RS	BLS724N12C7A	RS
	480	1.5	3	24 3/4 (629)	16 (8)	BLS724N13C4	RS	BLS724N13C5A	RS	BLS724N13C7A	RS
	240	2.0	3	32 1/4 (819)	18 (9)	BLS732E12C4	RS	BLS732E12C5A	RS	BLS732E12C7A	RS
	480	2.0	3	32 1/4 (819)	18 (9)	BLS732E13C4	RS	BLS732E13C5A	RS	BLS732E13C7A	RS
	240	2.5	3	39 3/4 (1010)	19 (9)	BLS739N12C4	RS	BLS739N12C5A	RS	BLS739N12C7A	RS
	480	2.5	3	39 3/4 (1010)	19 (9)	BLS739N13C4	RS	BLS739N13C5A	RS	BLS739N13C7A	RS
	240	3.0	3	47 1/4 (1200)	21 (10)	BLS747E12C4	RS	BLS747E12C5A	RS	BLS747E12C7A	RS
	480	3.0	3	47 1/4 (1200)	21 (10)	BLS747E13C4	RS	BLS747E13C5A	RS	BLS747E13C7A	RS
	240	4.0	3	63 3/4 (1619)	24 (11)	BLS763N12C4	RS	BLS763N12C5A	RS	BLS763N12C7A	RS
	480	4.0	3	63 3/4 (1619)	24 (11)	BLS763N13C4	RS	BLS763N13C5A	RS	BLS763N13C7A	RS
	240	5.0	3	76 1/4 (1937)	27 (13)	BLS776E12C4	RS	BLS776E12C5A	RS	BLS776E12C7A	RS
	480	5.0	3	76 1/4 (1937)	27 (13)	BLS776E13C4	RS	BLS776E13C5A	RS	BLS776E13C7A	RS

RAPID SHIP

- RS - Next day shipment up to 5 pieces

Note: All screw plug bundles are designed to fit the inside diameter of the equivalent mating coupling. They will not fit into the equivalent pipe inside diameter.

- ③ Wired for 3-phase operation only
- ⑤ No third party recognition

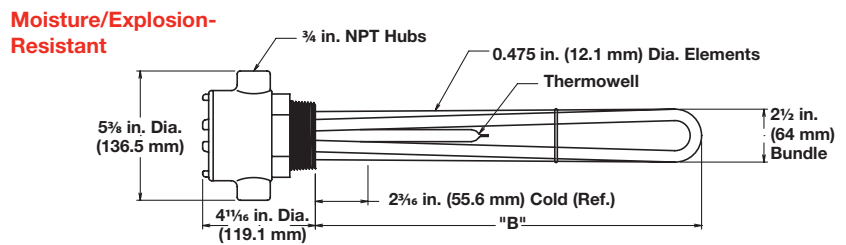
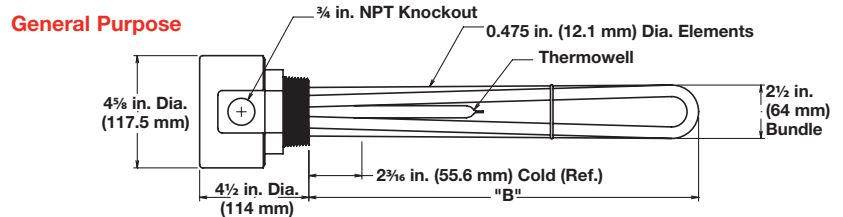
Immersion Heaters

WATROD and FIREBAR Screw Plug Immersion Heaters



Application: Bunker C, Asphalt and #6 Fuel Oil

- 2 1/2 inch NPT screw plug
- WATROD elements
- Without thermostat
- General purpose or moisture/explosion-resistant enclosure (suitable for use in non-classified areas only)



Description	Volts	kW	Ph	"B" Dim. in. (mm)	General Purpose Enclosure				Moisture/Explosion-Resistant Enclosure			
					Part Number	Del.	Ship Wt. lbs (kg)		Part Number ⑤	Del.	Ship Wt. lbs (kg)	
8 W/in ² ③ Steel Plug 3-Steel Elements (1.3 W/cm ²)	240	1.0	1	17 1/4 (438)	BLS717E12S	RS	9 (4)		BLS717E12C	RS	12 (6)	
	480	1.0	3	17 1/4 (438)	BLS717E13S	RS	9 (4)		BLS717E13C	RS	12 (6)	
	240	1.5	3	24 3/4 (629)	BLS724N12S	RS	12 (6)		BLS724N12C	RS	15 (7)	
	480	1.5	1	24 3/4 (629)	BLS724N13S	RS	12 (6)		BLS724N13C	RS	15 (7)	
	240	2.0	3	32 1/4 (819)	BLS732E12S	RS	14 (7)		BLS732E12C	RS	17 (8)	
	480	2.0	3	32 1/4 (819)	BLS732E13S	RS	14 (7)		BLS732E13C	RS	17 (8)	
	240	2.5	3	39 3/4 (1010)	BLS739N12S	RS	15 (7)		BLS739N12C	RS	18 (9)	
	480	2.5	3	39 3/4 (1010)	BLS739N13S	RS	15 (7)		BLS739N13C	RS	18 (9)	
	240	3.0	3	47 1/4 (1200)	BLS747E12S	RS	17 (8)		BLS747E12C	RS	20 (9)	
	480	3.0	3	47 1/4 (1200)	BLS747E13S	RS	17 (8)		BLS747E13C	RS	20 (9)	
	240	4.0	3	63 3/4 (1619)	BLS763N12S	RS	20 (9)		BLS763N12C	RS	23 (11)	
	480	4.0	3	63 3/4 (1619)	BLS763N13S	RS	20 (9)		BLS763N13C	RS	23 (11)	
	240	5.0	3	76 1/4 (1937)	BLS776E12S	RS	23 (11)		BLS776E12C	RS	26 (12)	
	480	5.0	3	76 1/4 (1937)	BLS776E13S	RS	23 (11)		BLS776E13C	RS	26 (12)	

RAPID SHIP

- RS - Next day shipment up to 5 pieces

Note: All screw plug bundles are designed to fit the inside diameter of the equivalent mating coupling. They will not fit into the equivalent pipe inside diameter.

- ③ Wired for 3-phase operation only
- ⑤ No third party recognition

Immersion Heaters

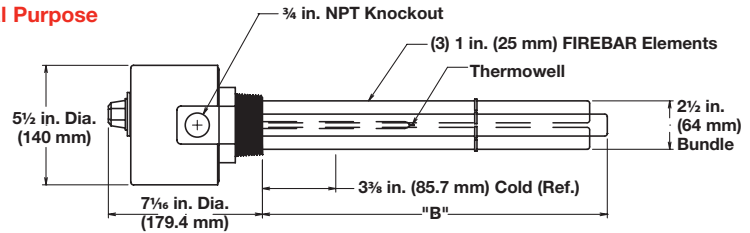
WATROD and FIREBAR Screw Plug Immersion Heaters



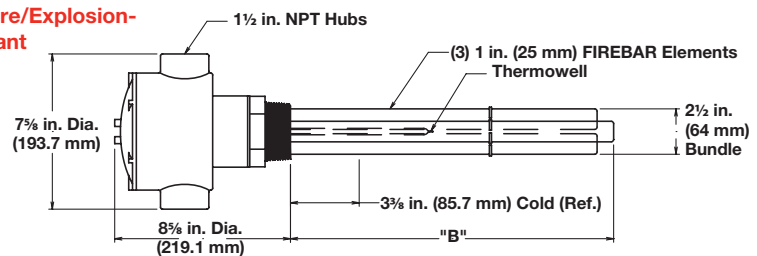
Application: Bunker C, Asphalt and #6 Fuel Oil

- 2 1/2 inch NPT screw plug
- FIREBAR elements
- With thermostat (DPST)
- General purpose or moisture/explosion-resistant enclosure (suitable for use in non-classified areas only)

General Purpose



Moisture/Explosion-Resistant



Description	Volts	kW	Ph	"B" Dim. in. (mm)	Ship Wt. lbs (kg)	Type 5A (60-250°F)		Type 7A (100-550°F)		
						Part Number	Del.	Part Number	Del.	
General Purpose Enclosure										
8 W/in ² ③ 304 SS Plug 3-Alloy 800 Elements (1.3 W/cm ²)	240	1.25	3	15 1/8 (384.2)	11 (5)	BLNF15C22S5A	RS	BLNF15C22S7A	RS	
	240	1.63	3	18 1/8 (460.4)	13 (6)	BLNF18C22S5A	RS	BLNF18C22S7A	RS	
	240	2.13	3	23 1/8 (587.4)	15 (7)	BLNF23C22S5A	RS	BLNF23C22S7A	RS	
	480	2.13	3	23 1/8 (587.4)	15 (7)	BLNF23C21S5A	RS	BLNF23C21S7A	RS	
	240	2.63	3	28 5/8 (727.1)	18 (9)	BLNF28L22S5A	RS	BLNF28L22S7A	RS	
	480	2.63	3	28 5/8 (727.1)	18 (9)	BLNF28L21S5A	RS	BLNF28L21S7A	RS	
	240	3.19	3	33 5/8 (854.1)	19 (9)	BLNF33L22S5A	RS	BLNF33L22S7A	RS	
	480	3.19	3	33 5/8 (854.1)	19 (9)	BLNF33L21S5A	RS	BLNF33L21S7A	RS	
	240	4.25	3	44 1/8 (1120.8)	21 (10)	BLNF44C22S5A	RS	BLNF44C22S7A	RS	
	480	4.25	3	44 1/8 (1120.8)	21 (10)	BLNF44C21S5A	RS	BLNF44C21S7A	RS	
	240	5.38	3	54 5/8 (1387.5)	23 (11)	BLNF54L22S5A	RS	BLNF54L22S7A	RS	
	480	5.38	3	54 5/8 (1387.5)	23 (11)	BLNF54L21S5A	RS	BLNF54L21S7A	RS	
Moisture/Explosion-Resistant Enclosure ⑤										
8 W/in ² ③ 304 SS Plug 3-Alloy 800 Elements (1.3 W/cm ²)	240	1.25	3	15 1/8 (384.2)	14 (7)	BLNF15C22C5A	RS	BLNF15C22C7A	RS	
	240	1.63	3	18 1/8 (460.4)	16 (8)	BLNF18C22C5A	RS	BLNF18C22C7A	RS	
	240	2.13	3	23 1/8 (587.4)	18 (9)	BLNF23C22C5A	RS	BLNF23C22C7A	RS	
	480	2.13	3	23 1/8 (587.4)	18 (9)	BLNF23C21C5A	RS	BLNF23C21C7A	RS	
	240	2.63	3	28 5/8 (727.1)	21 (10)	BLNF28L22C5A	RS	BLNF28L22C7A	RS	
	480	2.63	3	28 5/8 (727.1)	21 (10)	BLNF28L21C5A	RS	BLNF28L21C7A	RS	
	240	3.19	3	33 5/8 (854.1)	22 (10)	BLNF33L22C5A	RS	BLNF33L22C7A	RS	
	480	3.19	3	33 5/8 (854.1)	22 (10)	BLNF33L21C5A	RS	BLNF33L21C7A	RS	
	240	4.25	3	44 1/8 (1120.8)	24 (11)	BLNF44C22C5A	RS	BLNF44C22C7A	RS	
	480	4.25	3	44 1/8 (1120.8)	24 (11)	BLNF44C21C5A	RS	BLNF44C21C7A	RS	
	240	5.38	3	54 5/8 (1387.5)	26 (11)	BLNF54L22C5A	RS	BLNF54L22C7A	RS	
	480	5.38	3	54 5/8 (1387.5)	26 (11)	BLNF54L21C5A	RS	BLNF54L21C7A	RS	

RAPID SHIP

- RS - Next day shipment up to 5 pieces

Note: All screw plug bundles are designed to fit the inside diameter of the equivalent mating coupling. They will not fit into the equivalent pipe inside diameter.

- ③ Wired for 3-phase operation only
- ⑤ No third party recognition

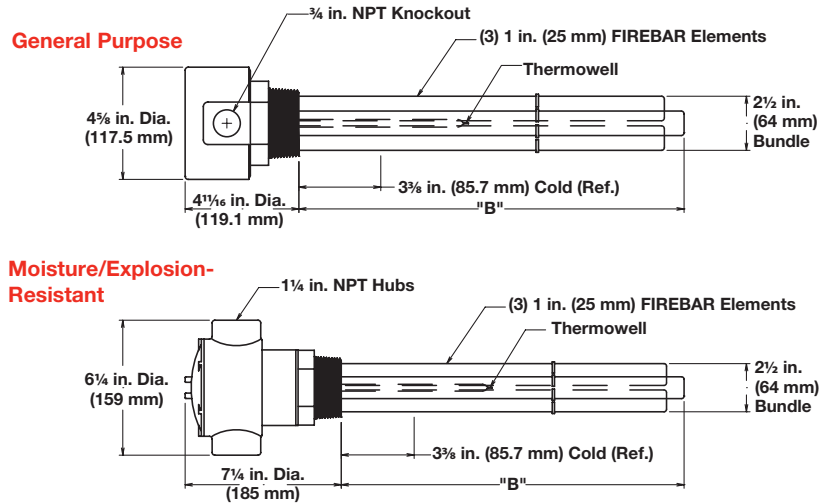
Immersion Heaters

WATROD and FIREBAR Screw Plug Immersion Heaters



Application: Bunker C, Asphalt and #6 Fuel Oil

- 2 1/2 inch NPT screw plug
- FIREBAR elements
- Without thermostat
- General purpose or moisture/explosion-resistant enclosure (suitable for use in non-classified areas only)



Description	Volts	kW	Ph	"B" Dim. in. (mm)	Part Number	Del.	Ship Wt. lbs (kg)	Part Number ⑤	Del.	Ship Wt. lbs (kg)	
					General Purpose Enclosure			Moisture/Explosion-Resistant Enclosure			
8 W/in² ③ 304 SS Plug 3-Alloy 800 Elements (1.3 W/cm²)	240	1.25	3	15 1/8 (384.2)	BLNF15C22S	RS	11 (5)	BLNF15C22C	RS	14 (7)	
	240	1.63	3	18 1/8 (460.4)	BLNF18C22S	RS	12 (6)	BLNF18C22C	RS	15 (7)	
	240	2.13	3	23 1/8 (587.4)	BLNF23C22S	RS	14 (7)	BLNF23C22C	RS	17 (8)	
	480	2.13	3	23 1/8 (587.4)	BLNF23C21S	RS	14 (7)	BLNF23C21C	RS	17 (8)	
	240	2.63	3	28 5/8 (727.1)	BLNF28L22S	RS	17 (8)	BLNF28L22C	RS	20 (9)	
	480	2.63	3	28 5/8 (727.1)	BLNF28L21S	RS	17 (8)	BLNF28L21C	RS	20 (9)	
	240	3.19	3	33 5/8 (854.1)	BLNF33L22S	RS	18 (9)	BLNF33L22C	RS	21 (10)	
	480	3.19	3	33 5/8 (854.1)	BLNF33L21S	RS	18 (9)	BLNF33L21C	RS	21 (10)	
	240	4.25	3	44 1/8 (1120.8)	BLNF44C22S	RS	20 (9)	BLNF44C22C	RS	23 (11)	
	480	4.25	3	44 1/8 (1120.8)	BLNF44C21S	RS	20 (9)	BLNF44C21C	RS	23 (11)	
	240	5.38	3	54 5/8 (1387.5)	BLNF54L22S	RS	22 (10)	BLNF54L22C	RS	25 (12)	
	480	5.38	3	54 5/8 (1387.5)	BLNF54L21S	RS	22 (10)	BLNF54L21C	RS	25 (12)	

RAPID SHIP

- RS - Next day shipment up to 5 pieces

Note: All screw plug bundles are designed to fit the inside diameter of the equivalent mating coupling. They will not fit into the equivalent pipe inside diameter.

- ③ Wired for 3-phase operation only
- ⑤ No third party recognition

Immersion Heaters

WATROD and FIREBAR Screw Plug Immersion Heaters

Ordering Information

Part Number

Stock Screw Plug Part Number	Optional Terminal Enclosures	Optional Process Sensors	Sheath Limit Sensors

Stock Screw Plug Part Number

Note: Catalog part numbers include standard option enclosures and process sensors. To order optional enclosures or sensors, substitute the appropriate suffix.

Optional Terminal Enclosures

S =	General purpose enclosure
W =	Moisture-resistant enclosure
E =	Explosion-resistant enclosure
C =	Moisture/explosion-resistant enclosure

Note: Catalog listings include either a general purpose enclosure or moisture/explosion-resistant enclosure. Substitute enclosure options are noted.

Optional Process Sensors

2 =	30 to 250°F, (-1 to 121°C) SPST
3 =	175 to 550°F, (79 to 288°C) SPST
4 =	30 to 110°F, (-1 to 43°C) DPST
5A=	60 to 250°F, (16 to 121°C) DPST (FIREBAR)
7A=	100 to 550°F, (38 to 288°C) DPST (FIREBAR)
PJ=	Type J process thermocouple in thermowell
PK=	Type K process thermocouple in thermowell

Note: Thermostat part numbers are shown in the *Thermostat Chart* on page 537.

Example Part Number: BHC78C6 S 1 HJ

Sheath Limit Sensors

HJ=	Type J high-limit thermocouple, horizontal mount
TJ=	Type J high-limit thermocouple, vertical/housing at top
BJ=	Type J high-limit thermocouple, vertical/housing at bottom
HK=	Type K high-limit thermocouple, horizontal mount
TK=	Type K high-limit thermocouple, vertical/housing at top
BK=	Type K high-limit thermocouple, vertical/housing at bottom

Note: Heater orientation is critical to accurate sensing of limit conditions. Use the appropriate code to indicate heater mounting orientation.

Immersion Heaters

WATROD and FIREBAR Screw Plug Immersion Heaters

Screw Plug with Control Assembly

Constructed from a WATROD screw plug heater, a moisture resistant terminal enclosure and built-in temperature sensor and power controller, this assembly comes pre-wired and ready for hook-up to any 120VAC control circuit.

Optional sheath materials, NPT screw plug sizes and materials, wattages, voltages and terminal enclosures extend application versatility.

Performance Capabilities

- Watt densities up to 60 W/in² (9.3 W/cm²)
- Wattages up to 20 kilowatts
- Voltages up to 600VAC
- Alloy 800/840 sheath temperatures up to 1600°F (870°C)

Features and Benefits

Three 0.475 in. (12 mm) diameter WATROD elements brazed to a 2 in. (51 mm) NPT brass screw plug

- Produces a pressure-tight seal

WATROD hairpins are repressed (recompacted) after bending

- Maintains MgO density, dielectric strength, heat transfer and life

Two built-in thermostats, one on-off with manual reset

- Helps ensure safe operation by automatically cycling on and off when process or sheath temperatures reach a predetermined set point selectable from 30° to 250°F (0° to 120°C)

Internal mechanical contactor

- Works on a 120VAC control circuit to switch higher volts/amps to the heating elements

Hinged, moisture resistant terminal enclosure has two conduit openings

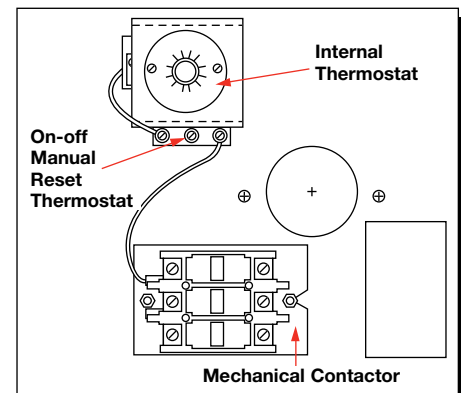
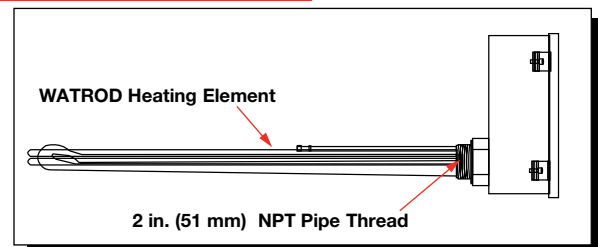
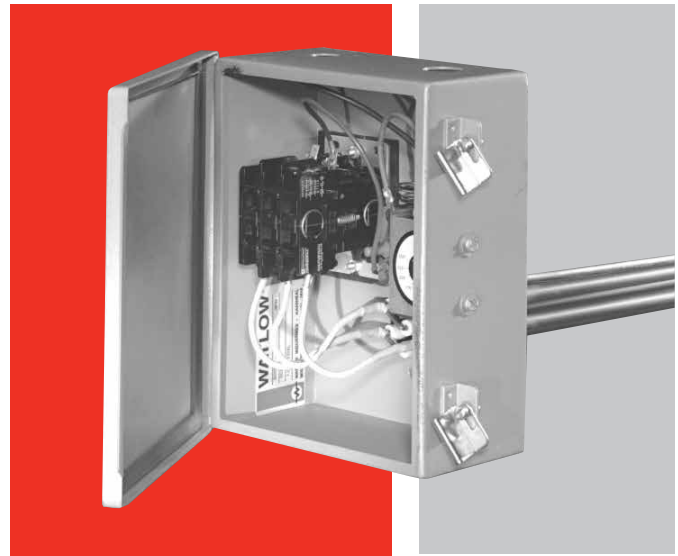
- Accommodates 3/4 in. (19 mm) NPT conduit fittings

Terminal enclosures can be rotated to mate with existing conduits

- Minimal fastener adjustment required

Thermowells allow replacing the thermostat sensing element without draining the fluid being heated

- Labor required to maintain and repair is minimized



Typical Applications

- Water heating
- Commercial dishwashers and glass washers
- Sterilizing equipment

Application Hints

Same as *Screw Plug Immersion Heaters*. See page 169 for details.

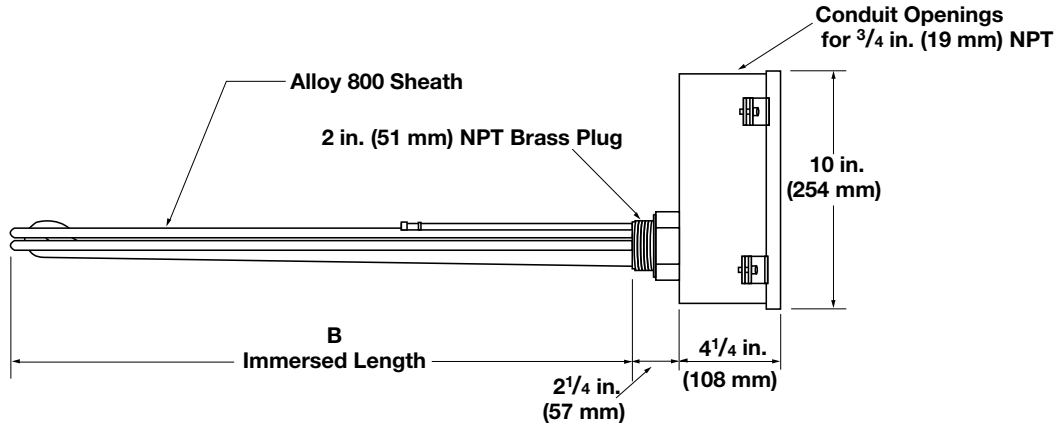
Accessories

Clamping Nut, Gasket and Washers—for mounting to thin-wall tanks, use optional clamping nut, gasket and washers. To order, specify **NGW**.

Immersion Heaters

WATROD and FIREBAR Screw Plug Immersion Heaters

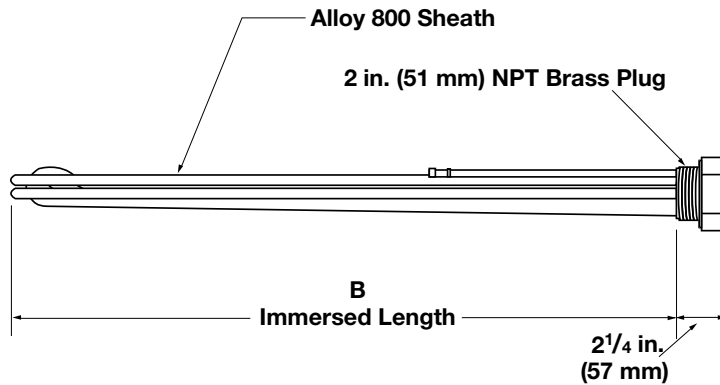
Screw Plug with Control Assembly



2 in. (51 mm) NPT Brass Screw Plug With Control Box (Assembly Stock)

WATROD Desc.	kW	Immersed Length in. (mm)	Part Number					Est. Net Wt. lbs(kg)	Del.
			208VAC 3-Phase	240VAC 3-Phase	380VAC 3-Phase	480VAC 3-Phase	575VAC 3-Phase		
50 W/in ²	9	24% (629.0)		BHNB24N3W2C11		BHNB24N5W2C11	BHNB24N16W2C11	23 (10)	M
Brass Plug	12	30 (762.0)	BHNB30A2W2C11	BHNB30A3W2C11	BHNB30A8W2C11	BHNB30A5W2C11	BHNB30A16W2C11	24 (11)	M
3-Alloy 800	16	35% (904.8)	BHNB35L2W2C11	BHNB35L3W2C11	BHNB35L8W2C11	BHNB35L5W2C11	BHNB35L16W2C11	25 (11)	M
(7.8 W/cm ²)	20	45% (1158.8)		BHNB45L3W2C11	BHNB45L8W2C11	BHNB45L5W2C11	BHNB45L16W2C11	27 (12)	M

• M - Manufacturing lead times



2 in. (51 mm) NPT Brass Screw Plug With Control Box (Replacement Heater Only)

WATROD Desc.	kW	Immersed Length in. (mm)	Part Number					Est. Net Wt. lbs (kg)	Del.
			208VAC 3-Phase	240VAC 3-Phase	380VAC 3-Phase	480VAC 3-Phase	575VAC 3-Phase		
50 W/in ²	9	24% (628.7)		BHNB24N3		BHNB24N5	BHNB24N16	21 (9)	M
Brass Plug	12	30 (762.0)	BHNB30A2	BHNB30A3	BHNB30A8	BHNB30A5	BHNB30A16	22 (10)	M
Alloy 800	16	35% (904.8)	BHNB35L2	BHNB35L3	BHNB35L8	BHNB35L5	BHNB35L16	23 (10)	M
(7.8 W/cm ²)	20	45% (1158.8)		BHNB45L3	BHNB45L8	BHNB45L5	BHNB45L16	25 (11)	M

• M - Manufacturing lead times

Immersion Heaters

WATROD and FIREBAR ANSI Flange Immersion Heaters

Watlow flange heaters are easy to install and maintain. Designed for heating liquids and gases in tanks and pressure vessels, flange immersion heaters are ideal for applications requiring higher kilowatts.

Watlow flange heaters are made with WATROD or FIREBAR tubular elements brazed or welded to a flange. Stock flange heaters are equipped with a general purpose terminal enclosure.

Flange heaters, with FIREBAR elements, also answer the need for liquid immersion applications requiring high kilowatts in small tanks. The FIREBAR element's unique flat surface geometry packs more power in a smaller bundle, with lower watt density, making it especially well-suited for petroleum-based liquid heating applications.

Performance Capabilities

- Watt densities up to 100 W/in² (15.5 W/cm²)
- Wattages up to three megawatts
- UL[®] and CSA component recognition up to 600VAC
- Alloy 800/840 sheath temperatures up to 1600°F (870°C)
- Passivated 316 stainless steel sheath temperatures up to 1200°F (650°C)
- 304 stainless steel sheath temperatures up to 1200°F (650°C)
- Steel sheath temperatures up to 750°F (400°C)
- FIREBAR flange heaters deliver more kilowatts in smaller bundles
- A conventional round tubular 10-inch ANSI flange can be replaced by a 6-inch ANSI FIREBAR flange with same immersed length

Features and Benefits

ANSI and ANSI compatible 2, 2 1/2, 3 thru 48 inch flanges

- Provides appropriate heater size-to-application and fit

Element sheath and flange materials

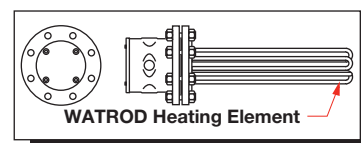
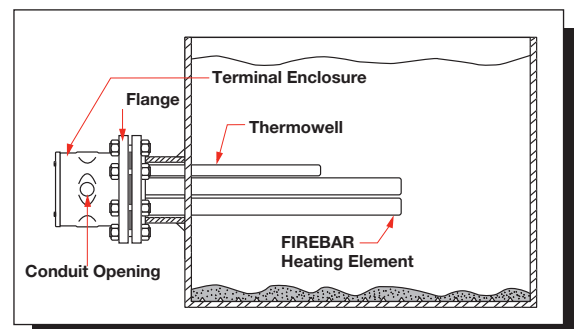
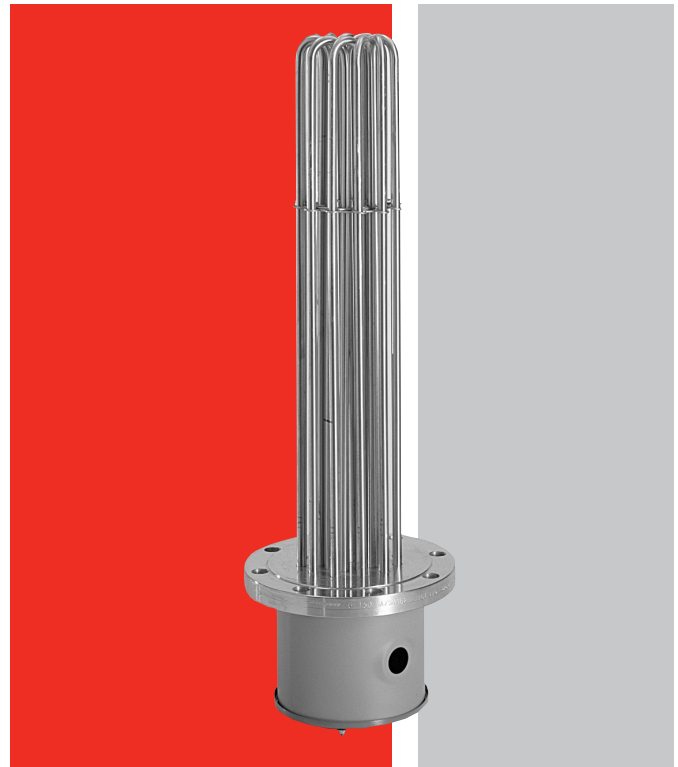
- Meets your application needs

Integral thermowells

- Provides convenient temperature sensor insertion and replacement without draining the fluid being heated

Standard, general purpose terminal enclosure

- Offers easy access to wiring



Element support(s)

- Provides proper element spacing to maximize heater performance and life

All units are inspected and/or tested

- Ensures element-to-flange pressure seals do not leak

Drilled and tapped eyebolt holes or lift lugs for eye bolts on three inch and larger flange heaters

- Facilitates lifting during installation

WATROD hairpins are repressed (recompacted)

- Provides improved heater life, insulation resistance and heat transfer

Immersion Heaters

WATROD and FIREBAR ANSI Flange Immersion Heaters

Features and Benefits *(Continued)*

FIREBAR flange heaters pack more kilowatts into a smaller bundle

- Includes a conventional round tubular 10 in. (254 mm) ANSI flange which can be replaced by a 6 in. (152 mm) ANSI FIREBAR flange with the same immersed length

Branch circuits are designed for 48 amperes per circuit maximum

- Reduces risk of failure due to excessive temperatures generated by high amperage

UL® and CSA component recognition under file numbers E52951 and 31388 respectively

- Simplifies obtaining third-party recognition for assembly

Typical Applications

- Water:
 - Deionized
 - Demineralized
 - Clean
 - Potable
 - Process
- Industrial water rinse tanks
- Vapor degreasers
- Hydraulic oil, crude, asphalt
- Lubricating oils at API specified watt densities
- Air and gas flow
- Caustic solutions
- Chemical baths
- Process air equipment
- Boiler equipment
- Freeze protection of any fluid
- Anti-freeze (glycol) solutions
- Paraffin

Options

Terminal Enclosures

General purpose terminal enclosures, without thermostats, are standard on all flange immersion heaters. Optional terminal enclosures include:

- General purpose with a single or double-pole thermostat
- Moisture resistant—available with or without a single- or double-pole thermostat
- Corrosion resistant—available with or without a single- or double-pole thermostat
- Non-certified, explosion resistant suitable for use in non-classified areas only—available with or without a single- or double-pole thermostat
- Explosion resistant Class 1, Div. 1 and 2, Groups B, C, D, T1 - T6—available with or without a single- or double-pole thermostat
- Non-certified, explosion and moisture resistant combination suitable for use in non-classified areas only—available with or without a single- or double-pole thermostat

Prior to ordering, refer to the terminal enclosure dimensions on page 243. Order by adding the appropriate suffix letter(s) to the base flange heater part number, as shown on the Ordering information chart. Heater part numbers and suffix letters are depicted on the charts, pages 244 to 305. Specify class and group, if applicable.



Caution

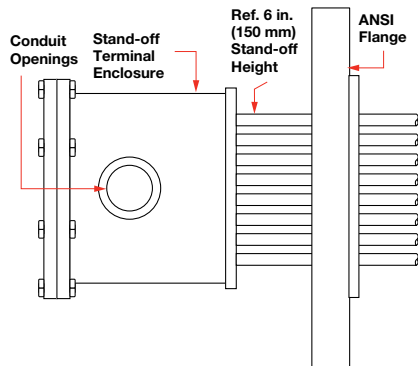
Certified explosion-resistant terminal enclosures are intended to provide explosion containment in the electrical termination/wiring enclosure only. No portion of the assembly outside of this enclosure is covered under this rating. Rating effectiveness may be compromised by abuse or misapplication.

Immersion Heaters

WATROD and FIREBAR ANSI Flange Immersion Heaters

Options (Continued)

Stand-off Terminal Enclosures



Stand-off terminal enclosures provide an air-insulating barrier between the flange and terminal enclosure by mounting the terminations and wiring away from the flange. Stand-off terminal enclosures are recommended whenever a process operating temperature exceeds 210°F (100°C). This helps minimize terminal enclosure temperatures.

To order, specify **stand-off terminal enclosure**.

Certified Enclosures

CSA, ATEX or IECEx certified enclosures protect wiring in hazardous gas environments. These terminal enclosures, covered under CSA file number 61707, ATEX certificate # SIRA 10ATEX1155X or IECEx certificate # IECEx CSA 09.0010X are available on WATROD flange heaters. For additional information, see page 567 and 568 or contact your Watlow representative.

For products that will be installed in hazardous locations, please provide the following information:

- Operating conditions
- Minimum and maximum ambient temperatures for the installation location
- Mounting orientation

Watlow must understand this information so that an appropriate design can be provided.

ASME Pressure Vessel Code Welding

Flange assemblies can be provided with an ASME Section VIII, Div. I pressure vessel stamp upon request.

Thermostats

To provide process temperature control, Watlow offers optional single pole, single throw (SPST) and double pole, single throw (DPST) thermostats.

Unless otherwise specified, thermostats are mounted inside the terminal enclosure. For details and ordering information, refer to *Thermostats* on pages 534 to 537. Please verify that the thermostat's sensing bulb O.D. is compatible with the flange heater's thermowell I.D.

Thermocouples

ASTM Type J or K thermocouples offer more accurate sensing of process and/or sheath temperatures. A thermocouple may be inserted into the thermowell or attached to the heater's sheath.

Thermocouples are supplied with 120 in. (3050 mm) leads (longer lead lengths available). Unless otherwise specified, thermocouples are supplied with temperature ranges detailed on the *Thermocouple Types* chart.

Using a thermocouple requires an appropriate temperature and power controller. These must be purchased separately. Watlow offers a wide variety of temperature and power controllers to meet virtually all applications. Temperature controllers can be configured to accept process variable inputs, too. Contact your Watlow representative for details.

To order, specify **Type J** or **K** thermocouple and lead length. Indicate if the thermocouple is for **process temperature sensing** or heater sheath **high-limit protection**. Please specify if the flange heater will be mounted **vertical** or **horizontal** in the tank. **If vertical, specify if the housing is on top or bottom.**

If the flange heater is part of an in-line circulation heating application, indicate flow direction relative to the heater's enclosure.

Thermocouple Types

ASTM Type	Conductor Characteristics		Recommended ^① Temperature Range	
	Positive	Negative	°F	(°C)
J	Iron (Magnetic)	Constantan (Non-magnetic)	0 to 1000	(-20 to 540)
K	Chromel® (Non-magnetic)	Alumel® (Magnetic)	0 to 2000	(-20 to 1100)

① Type J and Type K thermocouples are rated 32 to 1382°F and 32 to 2282°F (0-750°C and 0-1250°C), respectively. Watlow does not recommend exceeding temperature ranges shown on this chart for the tubular product line.

Immersion Heaters

WATROD and FIREBAR ANSI Flange Immersion Heaters

Options (Continued)

Wattages and Voltages

Watlow routinely supplies flange immersion heaters with 240 to 480VAC as well as wattages from 150 watts to one megawatt.

Sheath Materials

The following sheath materials are available on WATROD and FIREBAR flange heaters:

Standard Sheath Materials

WATROD	Alloy 800, 840 316 SS Steel
FIREBAR	Alloy 800

Exotic Sheath Materials

Contact your Watlow representative for details and availability.

External Finishing

Passivation

During the manufacturing process, particles of iron or tool steel may become embedded in the stainless steel or alloy sheath. If not removed, these particles may corrode, produce rust spots and/or contaminate the process. For critical sheath applications, passivation will remove free iron from the sheath. To order, specify **passivation**.

Other Finishes

Bright annealing available to meet cosmetic demands.

Flanges

Flange Sizes and Styles

Standard: 2^①, 2^{1/2}^①, 3 to 48 inch ANSI raised face/blind flanges.

Made-to-Order: 16, 18, 20 and 24 inch in any recognized configuration, as well as customer specified. Over 48 inch ANSI flange, contact your Watlow representative.

Flange Materials

Standard	Carbon steel 316 SS 304 SS
-----------------	----------------------------------

Pressure Classes

Standard	150 lb 300 lb 600 lb
-----------------	----------------------------

① ANSI bolt pattern only

Gaskets

Rubber, asbestos-free and spiral wound gaskets are available for all flange sizes. Order by specifying gasket type, flange size/rating, process operating temperature and pressure.

To make the correct selection, see the *Gasket Selection* chart. It provides a recommended gasket type and effective temperature rating.

To use this chart, multiply operating temperature by the operating pressure to arrive at "Maximum PSIG x °F." This is listed in the chart's first column.

Gasket Selection

Maximum PSIG x °F	Gasket Temperature °F	Gasket Type
Up to 15,000	300	Rubber
Over 250,000	700	Asbestos-Free
Over 250,000	③	Spiral Wound

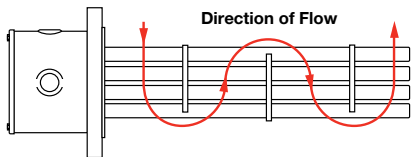
③ Depends on metal gasket material.

Immersion Heaters

WATROD and FIREBAR ANSI Flange Immersion Heaters

Options (Continued)

Baffles



For forced circulation applications, 316 stainless steel baffles can be arranged on the heating element bundle to enhance and/or modify fluid or gas flow for better heat transfer.

For open tank or convection heating applications, standard element supports will be supplied.

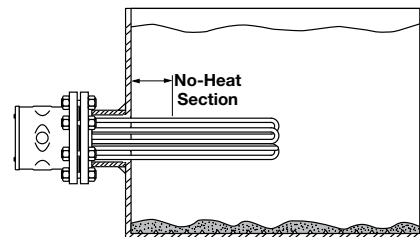
To order, specify **baffles**.

ANSI Raised Face Blind Flange, 150# Class Dimensions

Pipe Size	Outside Diameter	Flange Thickness	Diameter of Bolt Circle	Diameter of Bolt Holes	Number of Bolt Holes
3	7.50	0.94	6.00	0.75	4
4	9.00	0.94	7.50	0.75	8
5	10.00	0.94	8.50	0.88	8
6	11.00	1.00	9.50	0.88	8
8	13.50	1.12	11.75	0.88	8
10	16.00	1.19	14.25	1.00	12
12	19.00	1.25	17.00	1.00	12
14	21.00	1.38	18.75	1.12	12
16	23.50	1.44	21.25	1.12	16
18	25.00	1.56	22.75	1.25	16
20	27.50	1.69	25.00	1.25	20
24	32.00	1.88	29.50	1.38	20

Application Hints

- Select the recommended heating element sheath material and watt density for the substance being heated. Use the *Supplemental Applications Chart* on pages 555 to 560. If unable to determine the correct heating element sheath material and type, contact your Watlow representative.
- Extend the element no-heat section completely into the fluid being heated to help prevent premature heater failure. See accompanying illustration for proper no-heat section placement.
- Locate flange heater low in the tank, but above the sludge level.
- Choose a FIREBAR element when your application requires a smaller system package or lower watt density.
- Ensure wiring integrity by keeping terminal enclosure temperature below 400°F (205°C).
- Size power feeder wires in accordance with National Electrical Code guidelines and other applicable codes.
- Keep electrical connections clean, dry and tight.
- Minimize problems associated with low liquid level conditions by using low liquid level sensor or sheath temperature high-limit control.



- Periodically remove the flange assembly to inspect and clean the heating element(s). This preventive maintenance will reduce premature failure and optimize heater performance.
- Refer to the *Installation and Maintenance Instructions* for correct orientation of FIREBAR elements. This is important in air applications with customer-supplied circulation tanks. Correct element orientation to flow minimizes pressure drop and increases buoyancy force and heater performance.

Extended Capabilities For WATROD and FIREBAR ANSI Flange Immersion Heaters

Options

Enclosure Enhancements

- Enclosure heater to solve condensation and freeze problems.
- Power distribution blocks to facilitate power feed line wiring.

RTDs

If the process requires greater temperature sensing accuracy than is possible with thermocouples, Watlow can also supply RTDs in DIN or JIS calibrations. Contact your Watlow representative for details.

Wattages and Voltages

If required, Watlow will make heaters with voltage up to 600VAC and wattage beyond one megawatt. For more information on special voltage and wattage configurations, contact your Watlow representative.

Sheath Materials

The following sheath materials are available on WATROD and FIREBAR flange heaters:

Extended Sheath Materials

WATROD	Titanium 304 and 321 SS Hastelloy C276 Alloy 400 and 600
FIREBAR	304 SS

Flanges

Flange Materials

Extended	Exotic materials to meet specific application needs ①
-----------------	---

Pressure Classes

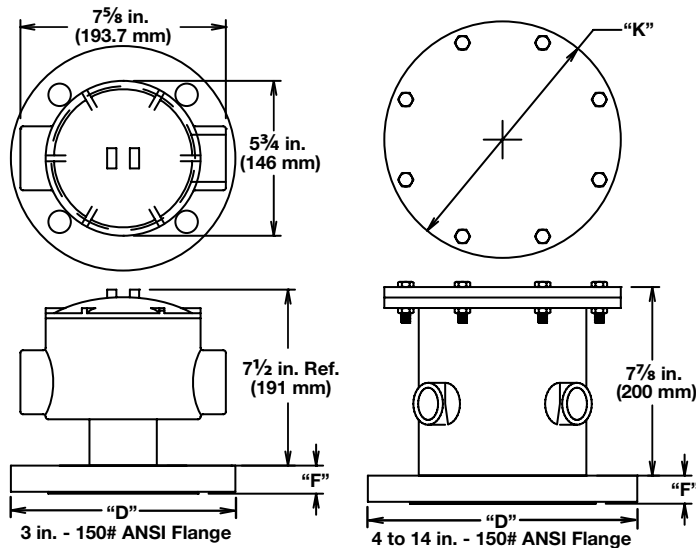
Extended	Over 600 lb ①
-----------------	---------------

① Contact your Watlow representative

Immersion Heaters

WATROD and FIREBAR ANSI Flange Immersion Heaters

Optional Moisture/Explosion Resistant Enclosure Without Thermostat



Terminal Enclosure Dimensions

General Purpose & Moisture Resistant Enclosures

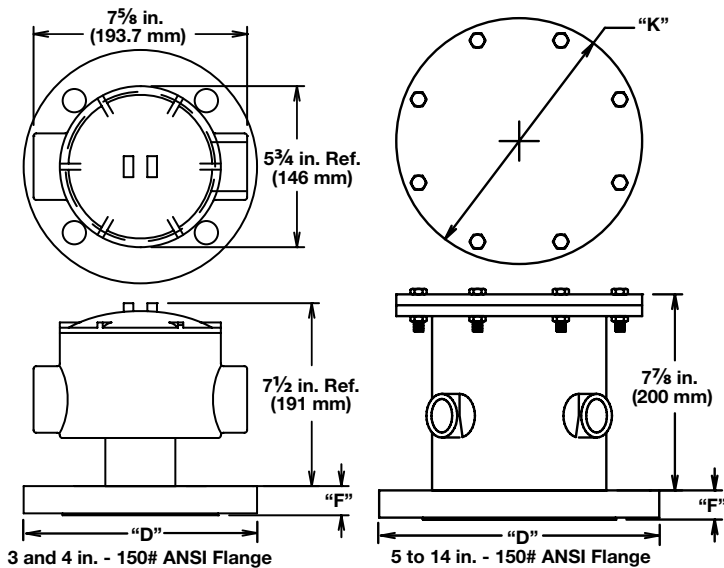
ANSI Flange Size in.	"F" Thickness in. (mm)	"K" With Thermostat	"K" Without Thermostat	"D" in. (mm)
3	15/16 (23.8)	5 3/4 (146)	See heater dwg.	7 1/2 (191)
4	15/16 (23.8)	5 3/4 (146)	See heater dwg.	9 (229)

Note: 5 thru 12 in. (127 thru 305 mm) flange dimensions are on catalog heater drawings.

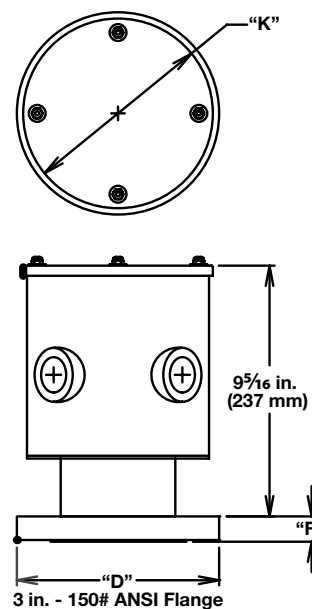
Moisture/Explosion Resistant Enclosures

ANSI Flange Size in.	"F" Thickness in. (mm)	"K" With Thermostat	"K" Without Thermostat	"D" in. (mm)
3	15/16 (23.8)	N/A	N/A	7 1/2 (191)
4	15/16 (23.8)	N/A	7 7/8 (200.0)	9 (229)
5	15/16 (23.8)	8 7/8 (225.4)	8 7/8 (225.4)	10 (254)
6	1 (25.0)	9 7/8 (250.8)	9 7/8 (250.8)	11 (280)
8	1 1/8 (28.6)	12 1/8 (308.0)	12 1/8 (308.0)	13 1/2 (343)
10	1 3/16 (30.2)	14 5/8 (371.5)	14 5/8 (371.5)	16 (407)
12	1 1/4 (32.0)	17 1/4 (438.0)	17 1/4 (438.0)	19 (483)
14	1 3/8 (34.9)	19 3/8 (492.1)	19 3/8 (492.1)	21 (534)

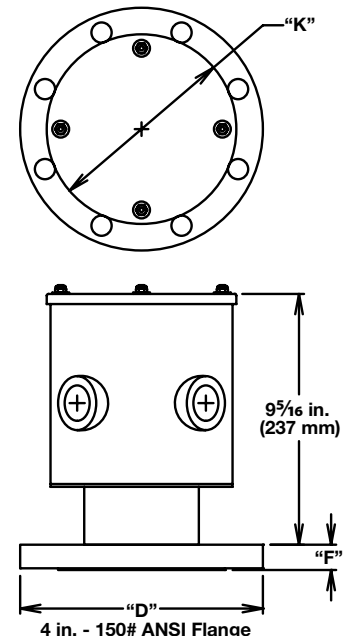
Optional Moisture/Explosion Resistant Enclosure With Thermostat



Optional General Purpose/Moisture Resistant Enclosure With Thermostat



Optional Moisture Resistant Enclosure With Thermostat



To order: Reference the *Ordering Information* on page 306

Note: Dimensions for all 5 to 14 in. flange heaters with General Purpose or Moisture Resistant Enclosure with thermostats are identical to units supplied without thermostats.

Immersion Heaters

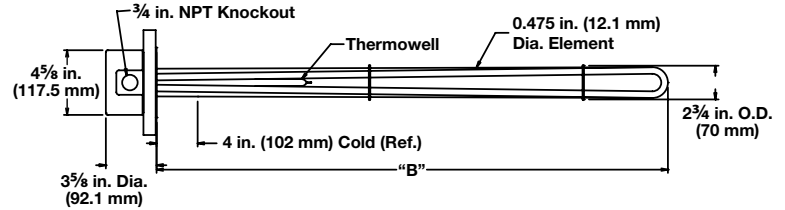
WATROD and FIREBAR ANSI Flange Immersion Heaters



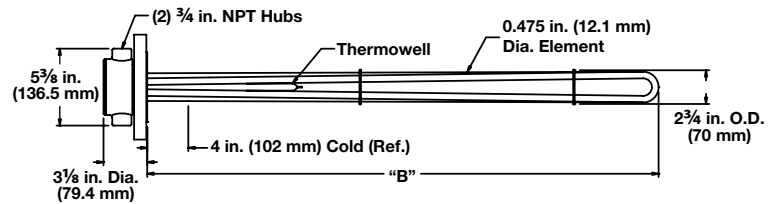
Application: Clean Water

- 3 inch - 150 lb ANSI flange.
- WATROD elements
- Without thermostat
- General purpose or moisture-resistant enclosures
- Single circuit

General Purpose



Moisture Resistant



Description	Volts	kW	Ph	"B" Dim. (mm)		Ship Wt. (kg)		Part Number	Del.	Part Number	Del.
								General Purpose Enclosure		Moisture-Resistant Enclosure	
60 W/in ² Steel Flange 3-Alloy 800 Elements (9.3 W/cm ²)	120	6.0	1	15 1/2	(394)	22	(10)	FMN715J10S	RS	FMN715J10W	RS
	240	6.0	3	15 1/2	(394)	22	(10)	FMN715J3S	RS	FMN715J3W	RS
	480	6.0	1	15 1/2	(394)	22	(10)	FMN715J11S	RS	FMN715J11W	RS
	480	6.0	3	15 1/2	(394)	22	(10)	FMN715J5S	RS	FMN715J5W	RS
	120	9.0	1	21 1/2	(546)	25	(12)	FMN721J10S	RS	FMN721J10W	RS
	240	9.0	3	21 1/2	(546)	25	(12)	FMN721J3S	RS	FMN721J3W	RS
	480	9.0	1	21 1/2	(546)	25	(12)	FMN721J11S	RS	FMN721J11W	RS
	480	9.0	3	21 1/2	(546)	25	(12)	FMN721J5S	RS	FMN721J5W	RS
	240	12.0	3	27	(686)	27	(13)	FMN727A3S	RS	FMN727A3W	RS
	480	12.0	1	27	(686)	27	(13)	FMN727A11S	RS	FMN727A11W	RS
	480	12.0	3	27	(686)	27	(13)	FMN727A5S	RS	FMN727A5W	RS
	240	15.0	3	32 1/2	(826)	28	(13)	FMN732J3S	RS	FMN732J3W	RS
	480	15.0	1	32 1/2	(826)	28	(13)	FMN732J11S	RS	FMN732J11W	RS
	480	15.0	3	32 1/2	(826)	28	(13)	FMN732J5S	RS	FMN732J5W	RS
	240	18.0	3	38	(965)	30	(14)	FMN738A3S	RS	FMN738A3W	RS
	480	18.0	1	38	(965)	30	(14)	FMN738A11S	RS	FMN738A11W	RS
	480	18.0	3	38	(965)	30	(14)	FMN738A5S	RS	FMN738A5W	RS
	480	25.0	1	51	(1295)	34	(16)	FMN751A11S	RS	FMN751A11W	RS
	480	25.0	3	51	(1295)	34	(16)	FMN751A5S	RS	FMN751A5W	RS
	480	30.0	1	60 1/2	(1537)	36	(17)	FMN760J11S	M	FMN760J11W	RS
480	30.0	3	60 1/2	(1537)	36	(17)	FMN760J5S	M	FMN760J5W	RS	

RAPID SHIP

- **RS** - Next day shipment up to 5 pieces
- **M** - Manufacturing lead times

- Notes:**
- All flange bundles are designed to fit the inside diameter of the equivalent standard schedule pipe
 - For ANSI flange dimensions, reference chart on page 241

Immersion Heaters

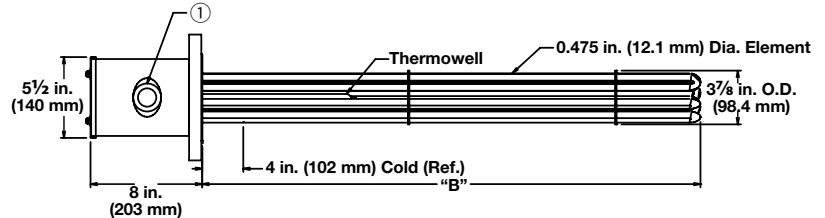
WATROD and FIREBAR ANSI Flange Immersion Heaters



Application: Clean Water

- 4 inch - 150 lb ANSI flange
- WATROD element
- Without thermostat
- General purpose or moisture-resistant enclosures

General Purpose and Moisture Resistant



① The number and size of the conduit opening will comply with the National Electrical Code® standards.

Description	Volts	kW	Ph	# Circ.	"B" Dim.		Ship Wt.		Part		Part	
					in.	(mm)	lbs	(kg)	Number	Del.	Number	Del.
60 W/in ² Steel Flange 6-Alloy 800 Elements (9.3 W/cm ²)	240	12.0	1	2	15 1/2	(394)	31	(14)	General Purpose Enclosure		Moisture-Resistant Enclosure	
									FON715J10S	RS	FON715J10W	RS
	240	12.0	3	1	15 1/2	(394)	31	(14)	FON715J3S	RS	FON715J3W	RS
	480	12.0	1	1	15 1/2	(394)	31	(14)	FON715J11S	RS	FON715J11W	RS
	480	12.0	3	1	15 1/2	(394)	31	(14)	FON715J5S	RS	FON715J5W	RS
	240	18.0	1	2	21 1/2	(546)	34	(16)	FON721J10S	RS	FON721J10W	RS
	240	18.0	3	1	21 1/2	(546)	34	(16)	FON721J3S	RS	FON721J3W	RS
	480	18.0	1	1	21 1/2	(546)	34	(16)	FON721J11S	RS	FON721J11W	RS
	480	18.0	3	1	21 1/2	(546)	34	(16)	FON721J5S	RS	FON721J5W	RS
	240	24.0	1	2	27	(686)	36	(17)	FON727A10S	RS	FON727A10W	RS
	240	24.0	3	2	27	(686)	36	(17)	FON727A3S	RS	FON727A3W	RS
	480	24.0	1	1	27	(686)	36	(17)	FON727A11S	RS	FON727A11W	RS
	480	24.0	3	1	27	(686)	36	(17)	FON727A5S	RS	FON727A5W	RS
	240	30.0	3	2	32 1/2	(826)	39	(18)	FON732J3S	RS	FON732J3W	RS
	480	30.0	1	2	32 1/2	(826)	39	(18)	FON732J11S	RS	FON732J11W	RS
	480	30.0	3	1	32 1/2	(826)	39	(18)	FON732J5S	RS	FON732J5W	RS
	240	36.0	3	2	38	(965)	43	(20)	FON738A3S	RS	FON738A3W	RS
	480	36.0	1	2	38	(965)	43	(20)	FON738A11S	RS	FON738A11W	RS
	480	36.0	3	1	38	(965)	43	(20)	FON738A5S	RS	FON738A5W	RS
	480	50.0	3	2	51	(1295)	48	(22)	FON751A5S	RS	FON751A5W	RS
480	60.0	3	2	60 1/2	(1537)	52	(24)	FON760J5S	M	FON760J5W	M	

RAPID SHIP

- **RS** - Next day shipment up to 5 pieces
- **M** - Manufacturing lead times

- Notes:**
- All flange bundles are designed to fit the inside diameter of the equivalent standard schedule pipe
 - For ANSI flange dimensions, reference chart on page 241

Immersion Heaters

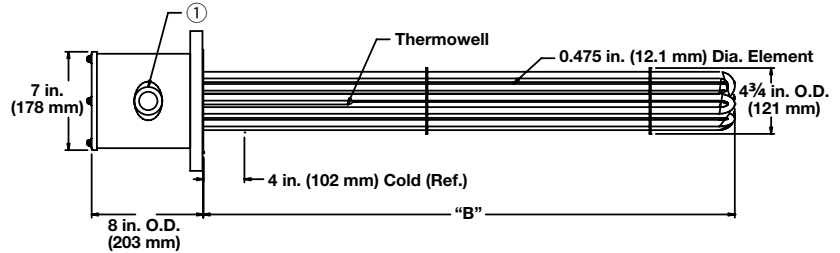
WATROD and FIREBAR ANSI Flange Immersion Heaters



Application: Clean Water

- 5 inch - 150 lb ANSI flange
- WATROD element
- Without thermostat
- General purpose or moisture-resistant enclosures

General Purpose and Moisture Resistant



① The number and size of the conduit opening will comply with the National Electrical Code® standards.

Description	Volts	kW	Ph	# Circ.	"B" Dim. in. (mm)	Ship Wt. lbs (kg)	Part Number		Del.	
							General Purpose Enclosure	Moisture-Resistant Enclosure	Del.	Del.
60 W/in² Steel Flange 6-Alloy 800 Elements (9.3 W/cm²)	240	12.0	1	2	15 ¹ / ₂ (394)	35 (16)	FNN715J10S	RS	FNN715J10W	RS
	240	12.0	3	1	15 ¹ / ₂ (394)	35 (16)	FNN715J3S	RS	FNN715J3W	RS
	480	12.0	1	1	15 ¹ / ₂ (394)	35 (16)	FNN715J11S	RS	FNN715J11W	RS
	480	12.0	3	1	15 ¹ / ₂ (394)	35 (16)	FNN715J5S	RS	FNN715J5W	RS
	240	18.0	1	2	21 ¹ / ₂ (546)	38 (18)	FNN721J10S	RS	FNN721J10W	RS
	240	18.0	3	1	21 ¹ / ₂ (546)	38 (18)	FNN721J3S	RS	FNN721J3W	RS
	480	18.0	1	1	21 ¹ / ₂ (546)	38 (18)	FNN721J11S	RS	FNN721J11W	RS
	480	18.0	3	1	21 ¹ / ₂ (546)	38 (18)	FNN721J5S	RS	FNN721J5W	RS
	240	24.0	1	3	27 (686)	40 (19)	FNN727A10S	RS	FNN727A10W	RS
	240	24.0	3	2	27 (686)	40 (19)	FNN727A3S	RS	FNN727A3W	RS
	480	24.0	1	3	27 (686)	40 (19)	FNN727A11S	RS	FNN727A11W	RS
	480	24.0	3	1	27 (686)	40 (19)	FNN727A5S	RS	FNN727A5W	RS
	240	30.0	3	2	32 ¹ / ₂ (826)	43 (20)	FNN732J3S	RS	FNN732J3W	RS
	480	30.0	1	2	32 ¹ / ₂ (826)	43 (20)	FNN732J11S	RS	FNN732J11W	RS
	480	30.0	3	1	32 ¹ / ₂ (826)	43 (20)	FNN732J5S	RS	FNN732J5W	RS
	240	36.0	3	2	38 (965)	47 (22)	FNN738A3S	RS	FNN738A3W	RS
	480	36.0	1	2	38 (965)	47 (22)	FNN738A11S	RS	FNN738A11W	RS
	480	36.0	3	1	38 (965)	47 (22)	FNN738A5S	RS	FNN738A5W	RS
	480	50.0	3	2	51 (1295)	52 (24)	FNN751A5S	RS	FNN751A5W	RS
	480	60.0	3	2	60 ¹ / ₂ (1537)	56 (26)	FNN760J5S	M	FNN760J5W	M

RAPID SHIP

- **RS** - Next day shipment up to 5 pieces
- **M** - Manufacturing lead times

- Notes:**
- All flange bundles are designed to fit the inside diameter of the equivalent standard schedule pipe
 - For ANSI flange dimensions, reference chart on page 241

Immersion Heaters

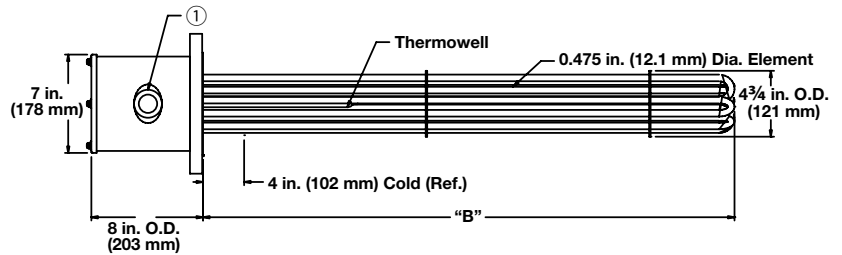
WATROD and FIREBAR ANSI Flange Immersion Heaters



Application: Clean Water

- 5 inch - 150 lb ANSI flange
- WATROD element
- Without thermostat
- General purpose or moisture-resistant enclosures

General Purpose and Moisture Resistant



① The number and size of the conduit opening will comply with the National Electrical Code® standards.

Description	Volts	kW	Ph	# Circ.	"B" Dim. in. (mm)	Ship Wt. lbs (kg)	Part Number		Del.	
							General Purpose Enclosure	Moisture-Resistant Enclosure		
60 W/in ² Steel Flange 9-Alloy 800 Elements (9.3 W/cm ²)	240	18.0	1	3	15 ¹ / ₂ (394)	38 (18)	FNN715J10XS	RS	FNN715J10XW	RS
	240	18.0	3	1	15 ¹ / ₂ (394)	38 (18)	FNN715J3XS	RS	FNN715J3XW	RS
	480	18.0	1	1	15 ¹ / ₂ (394)	38 (18)	FNN715J11XS	RS	FNN715J11XW	RS
	480	18.0	3	1	15 ¹ / ₂ (394)	38 (18)	FNN715J5XS	RS	FNN715J5XW	RS
	240	27.0	1	3	21 ¹ / ₂ (546)	42 (19)	FNN721J10XS	RS	FNN721J10XW	RS
	240	27.0	3	3	21 ¹ / ₂ (546)	42 (19)	FNN721J3XS	RS	FNN721J3XW	RS
	480	27.0	1	3	21 ¹ / ₂ (546)	42 (19)	FNN721J11XS	RS	FNN721J11XW	RS
	480	27.0	3	1	21 ¹ / ₂ (546)	42 (19)	FNN721J5XS	RS	FNN721J5XW	RS
	240	36.0	3	3	27 (686)	45 (21)	FNN727A3XS	RS	FNN727A3XW	RS
	480	36.0	1	3	27 (686)	45 (21)	FNN727A11XS	RS	FNN727A11XW	RS
	480	36.0	3	1	27 (686)	45 (21)	FNN727A5XS	RS	FNN727A5XW	RS
	240	45.0	3	3	32 ¹ / ₂ (826)	48 (22)	FNN732J3XS	RS	FNN732J3XW	RS
	480	45.0	1	3	32 ¹ / ₂ (826)	48 (22)	FNN732J11XS	RS	FNN732J11XW	RS
	480	45.0	3	3	32 ¹ / ₂ (826)	48 (22)	FNN732J5XS	RS	FNN732J5XW	RS
	240	54.0	3	3	38 (965)	53 (24)	FNN738A3XS	RS	FNN738A3XW	RS
	480	54.0	1	3	38 (965)	53 (24)	FNN738A11XS	RS	FNN738A11XW	RS
	480	54.0	3	3	38 (965)	53 (24)	FNN738A5XS	RS	FNN738A5XW	RS
	480	75.0	3	3	51 (1295)	60 (28)	FNN751A5XS	RS	FNN751A5XW	RS
	480	90.0	3	3	60 ¹ / ₂ (1537)	66 (30)	FNN760J5XS	M	FNN760J5XW	M

RAPID SHIP

- **RS** - Next day shipment up to 5 pieces
- **M** - Manufacturing lead times

- Notes:**
- All flange bundles are designed to fit the inside diameter of the equivalent standard schedule pipe
 - For ANSI flange dimensions, reference chart on page 241

Immersion Heaters

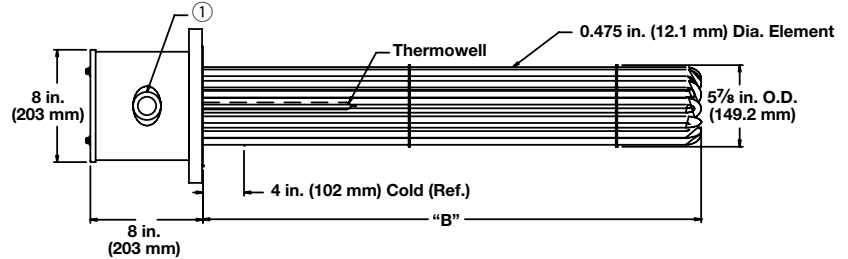
WATROD and FIREBAR ANSI Flange Immersion Heaters



Application: Clean Water

- 6 inch - 150 lb ANSI flange
- WATROD element
- Without thermostat
- General purpose or moisture-resistant enclosures

General Purpose and Moisture Resistant



① The number and size of the conduit opening will comply with the National Electrical Code® standards.

Description	Volts	kW	Ph	# Circ.	"B" Dim. in. (mm)	Ship Wt. lbs (kg)	Part Number		Del.	
							General Purpose Enclosure	Moisture-Resistant Enclosure	Del.	Del.
60 W/in ² Steel Flange 12-Alloy 800 Elements (9.3 W/cm ²)	240	24.0	1	3	15 ³ / ₈ (390.5)	73 (33)	FPN715G10S	RS	FPN715G10W	RS
	240	24.0	3	2	15 ³ / ₈ (390.5)	73 (33)	FPN715G3S	RS	FPN715G3W	RS
	480	24.0	1	2	15 ³ / ₈ (390.5)	73 (33)	FPN715G11S	RS	FPN715G11W	RS
	480	24.0	3	1	15 ³ / ₈ (390.5)	73 (33)	FPN715G5S	RS	FPN715G5W	RS
	240	36.0	1	4	21 ³ / ₈ (542.9)	78 (36)	FPN721G10S	M	FPN721G10W	M
	240	36.0	3	2	21 ³ / ₈ (542.9)	78 (36)	FPN721G3S	M	FPN721G3W	M
	480	36.0	1	2	21 ³ / ₈ (542.9)	78 (36)	FPN721G11S	M	FPN721G11W	M
	480	36.0	3	1	21 ³ / ₈ (542.9)	78 (36)	FPN721G5S	M	FPN721G5W	M
	240	48.0	3	4	26 ⁷ / ₈ (682.6)	81 (37)	FPN726R3S	M	FPN726R3W	M
	480	48.0	1	3	26 ⁷ / ₈ (682.6)	81 (37)	FPN726R11S	M	FPN726R11W	M
	480	48.0	3	2	26 ⁷ / ₈ (682.6)	81 (37)	FPN726R5S	M	FPN726R5W	M
	240	60.0	3	4	32 ³ / ₈ (822.3)	85 (39)	FPN732G3S	M	FPN732G3W	M
	480	60.0	1	3	32 ³ / ₈ (822.3)	85 (39)	FPN732G11S	M	FPN732G11W	M
	480	60.0	3	2	32 ³ / ₈ (822.3)	85 (39)	FPN732G5S	M	FPN732G5W	M
	240	72.0	3	4	37 ⁷ / ₈ (962.0)	92 (42)	FPN737R3S	M	FPN737R3W	M
	480	72.0	3	2	37 ⁷ / ₈ (962.0)	92 (42)	FPN737R5S	M	FPN737R5W	M
	480	100.0	3	4	50 ⁷ / ₈ (1292.2)	100 (45)	FPN750R5S	M	FPN750R5W	M
	480	120.0	3	4	60 ³ / ₈ (1533.5)	110 (50)	FPN760G5S	M	FPN760G5W	M

RAPID SHIP

- RS - Next day shipment up to 2 pieces
- M - Manufacturing lead times

- Notes:**
- All flange bundles are designed to fit the inside diameter of the equivalent standard schedule pipe
 - For ANSI flange dimensions, reference chart on page 241
- Truck Shipment only

Immersion Heaters

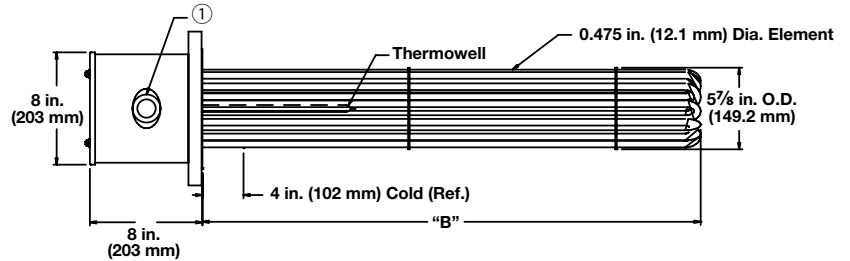
WATROD and FIREBAR ANSI Flange Immersion Heaters



Application: Clean Water

- 6 inch - 150 lb ANSI flange
- WATROD element
- Without thermostat
- General purpose or moisture-resistant enclosures

General Purpose and Moisture Resistant



① The number and size of the conduit opening will comply with the National Electrical Code® standards.

Description	Volts	kW	Ph	# Circ.	"B" Dim. in. (mm)	Ship Wt. lbs (kg)	Part Number		Del.	Part Number		Del.
							General Purpose Enclosure	Moisture-Resistant Enclosure				
60 W/in ² Steel Flange 15-Alloy 800 Elements (9.3 W/cm ²)	240	30.0	1	3	15 ³ / ₈ (390.5)	76 (35)	FPN715G10XS	M	FPN715G10XW	M		
	240	30.0	3	5	15 ³ / ₈ (390.5)	76 (35)	FPN715G3XS	M	FPN715G3XW	M		
	480	30.0	1	3	15 ³ / ₈ (390.5)	76 (35)	FPN715G11XS	M	FPN715G11XW	M		
	480	30.0	3	1	15 ³ / ₈ (390.5)	76 (35)	FPN715G5XS	M	FPN715G5XW	M		
	240	45.0	1	5	21 ³ / ₈ (542.9)	82 (38)	FPN721G10XS	M	FPN721G10XW	M		
	240	45.0	3	5	21 ³ / ₈ (542.9)	82 (38)	FPN721G3XS	M	FPN721G3XW	M		
	480	45.0	1	3	21 ³ / ₈ (542.9)	82 (38)	FPN721G11XS	M	FPN721G11XW	M		
	480	45.0	3	5	21 ³ / ₈ (542.9)	82 (38)	FPN721G5XS	M	FPN721G5XW	M		
	240	60.0	3	5	26 ⁷ / ₈ (682.6)	85 (39)	FPN726R3XS	M	FPN726R3XW	M		
	480	60.0	1	3	26 ⁷ / ₈ (682.6)	85 (39)	FPN726R11XS	M	FPN726R11XW	M		
	480	60.0	3	5	26 ⁷ / ₈ (682.6)	85 (39)	FPN726R5XS	M	FPN726R5XW	M		
	240	75.0	3	5	32 ³ / ₈ (822.3)	90 (41)	FPN732G3XS	M	FPN732G3XW	M		
	480	75.0	1	5	32 ³ / ₈ (822.3)	90 (41)	FPN732G11XS	M	FPN732G11XW	M		
	480	75.0	3	5	32 ³ / ₈ (822.3)	90 (41)	FPN732G5XS	M	FPN732G5XW	M		
	240	90.0	3	5	37 ⁷ / ₈ (962.0)	98 (45)	FPN737R3XS	M	FPN737R3XW	M		
	480	90.0	3	5	37 ⁷ / ₈ (962.0)	98 (45)	FPN737R5XS	M	FPN737R5XW	M		
480	125.0	3	5	50 ⁷ / ₈ (1292.2)	108 (49)	FPN750R5XS	M	FPN750R5XW	M			
480	150.0	3	5	60 ³ / ₈ (1533.5)	120 (55)	FPN760G5XS	M	FPN760G5XW	M			

• M - Manufacturing lead times

- Notes:**
- All flange bundles are designed to fit the inside diameter of the equivalent standard schedule pipe
 - For ANSI flange dimensions, reference chart on page 241
- Truck Shipment only

Immersion Heaters

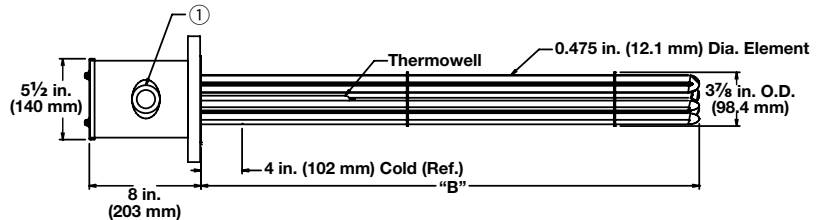
WATROD and FIREBAR ANSI Flange Immersion Heaters



Application: Deionized or Demineralized Water

- 4 inch - 150 lb ANSI flange
- WATROD element
- Without thermostat
- General purpose or moisture-resistant enclosures

General Purpose and Moisture Resistant



① The number and size of the conduit opening will comply with the National Electrical Code® standards.

Description	Volts	kW	Ph	# Circ.	"B" Dim. in. (mm)	Ship Wt. lbs (kg)	Part Number	Del.	Part Number	Del.
60 W/in ² 316 SS Flange 6-316 SS Elements (9.3 W/cm ²) Passivated	240	12.0	1	2	16 (406)	31 (14)	FOR716A10S	RS	FOR716A10W	RS
	240	12.0	3	1	16 (406)	31 (14)	FOR716A3S	RS	FOR716A3W	RS
	480	12.0	1	1	16 (406)	31 (14)	FOR716A11S	RS	FOR716A11W	RS
	480	12.0	3	1	16 (406)	31 (14)	FOR716A5S	RS	FOR716A5W	RS
	240	18.0	1	2	22 (559)	34 (16)	FOR722A10S	RS	FOR722A10W	RS
	240	18.0	3	1	22 (559)	34 (16)	FOR722A3S	RS	FOR722A3W	RS
	480	18.0	1	1	22 (559)	34 (16)	FOR722A11S	RS	FOR722A11W	RS
	480	18.0	3	1	22 (559)	34 (16)	FOR722A5S	RS	FOR722A5W	RS
	240	24.0	1	2	27 1/2 (699)	36 (17)	FOR727J10S	RS	FOR727J10W	RS
	240	24.0	3	2	27 1/2 (699)	36 (17)	FOR727J3S	RS	FOR727J3W	RS
	480	24.0	1	1	27 1/2 (699)	36 (17)	FOR727J11S	RS	FOR727J11W	RS
	480	24.0	3	1	27 1/2 (699)	36 (17)	FOR727J5S	RS	FOR727J5W	RS
	240	30.0	3	2	33 (838)	39 (18)	FOR733A3S	RS	FOR733A3W	RS
	480	30.0	1	2	33 (838)	39 (18)	FOR733A11S	RS	FOR733A11W	RS
	480	30.0	3	1	33 (838)	39 (18)	FOR733A5S	RS	FOR733A5W	RS
	240	36.0	3	2	38 1/2 (978)	43 (20)	FOR738J3S	RS	FOR738J3W	RS
	480	36.0	1	2	38 1/2 (978)	43 (20)	FOR738J11S	RS	FOR738J11W	RS
	480	36.0	3	1	38 1/2 (978)	43 (20)	FOR738J5S	RS	FOR738J5W	RS
	480	50.0	3	2	51 1/2 (1308)	48 (22)	FOR751J5S	RS	FOR751J5W	RS
	480	60.0	3	2	61 (1549)	52 (24)	FOR761A5S	RS	FOR761A5W	RS

RAPID SHIP

- RS - Next day shipment up to 5 pieces

- Notes:
- All flange bundles are designed to fit the inside diameter of the equivalent standard schedule pipe
 - For ANSI flange dimensions, reference chart on page 241

Immersion Heaters

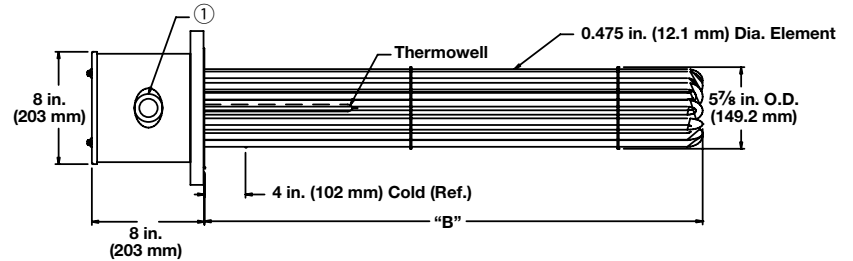
WATROD and FIREBAR ANSI Flange Immersion Heaters



Application: Deionized or Demineralized Water

- 6 inch - 150 lb ANSI flange
- WATROD element
- Without thermostat
- General purpose or moisture-resistant enclosures

General Purpose and Moisture Resistant



① The number and size of the conduit opening will comply with the National Electrical Code® standards.

Description	Volts	kW	Ph	# Circ.	"B" Dim. in. (mm)	Ship Wt. lbs (kg)	Part Number	Del.	Part Number	Del.
60 W/in ² 316 SS Flange 12-316 SS Elements (9.3 W/cm ²) (Passivated)	240	24.0	1	3	15 ³ / ₄ (400)	73 (33)	FPR715N10S	RS	FPR715N10W	RS
	240	24.0	3	2	15 ³ / ₄ (400)	73 (33)	FPR715N3S	RS	FPR715N3W	RS
	480	24.0	1	2	15 ³ / ₄ (400)	73 (33)	FPR715N11S	RS	FPR715N11W	RS
	480	24.0	3	1	15 ³ / ₄ (400)	73 (33)	FPR715N5S	RS	FPR715N5W	RS
	240	36.0	1	4	21 ³ / ₄ (552)	78 (36)	FPR721N10S	M	FPR721N10W	M
	240	36.0	3	2	21 ³ / ₄ (552)	78 (36)	FPR721N3S	M	FPR721N3W	M
	480	36.0	1	2	21 ³ / ₄ (552)	78 (36)	FPR721N11S	M	FPR721N11W	M
	480	36.0	3	1	21 ³ / ₄ (552)	78 (36)	FPR721N5S	M	FPR721N5W	M
	240	48.0	3	4	27 ¹ / ₄ (692)	81 (37)	FPR727E3S	M	FPR727E3W	M
	480	48.0	1	3	27 ¹ / ₄ (692)	81 (37)	FPR727E11S	M	FPR727E11W	M
	480	48.0	3	2	27 ¹ / ₄ (692)	81 (37)	FPR727E5S	M	FPR727E5W	M
	240	60.0	3	4	32 ³ / ₄ (832)	85 (39)	FPR732N3S	M	FPR732N3W	M
	480	60.0	1	3	32 ³ / ₄ (832)	85 (39)	FPR732N11S	M	FPR732N11W	M
	480	60.0	3	2	32 ³ / ₄ (832)	85 (39)	FPR732N5S	M	FPR732N5W	M
	240	72.0	3	4	38 ¹ / ₄ (972)	92 (42)	FPR738E3S	M	FPR738E3W	M
	480	72.0	3	2	38 ¹ / ₄ (972)	92 (42)	FPR738E5S	M	FPR738E5W	M
480	100.0	3	4	51 ¹ / ₄ (1302)	100 (45)	FPR751E5S	M	FPR751E5W	M	
480	120.0	3	4	60 ³ / ₄ (1543)	110 (50)	FPR760N5S	M	FPR760N5W	M	

RAPID SHIP

- RS - Next day shipment up to 2 pieces
- M - Manufacturing lead times

- Notes:**
- All flange bundles are designed to fit the inside diameter of the equivalent standard schedule pipe
 - For ANSI flange dimensions, reference chart on page 241
- Truck Shipment only

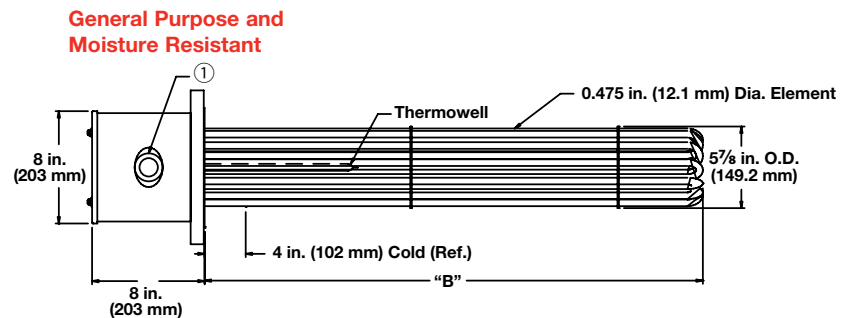
Immersion Heaters

WATROD and FIREBAR ANSI Flange Immersion Heaters



Application: Deionized or Demineralized Water

- 6 inch - 150 lb ANSI flange
- WATROD element
- Without thermostat
- General purpose or moisture-resistant enclosures



① The number and size of the conduit opening will comply with the National Electrical Code® standards.

Description	Volts	kW	Ph	# Circ.	"B" Dim. in. (mm)	Ship Wt. lbs (kg)	General Purpose Enclosure		Moisture-Resistant Enclosure	
							Part Number	Del.	Part Number	Del.
60 W/in ² 316 SS Flange 15-316 SS Elements (9.3 W/cm ²) (Passivated)	240	30.0	1	3	15 ³ / ₄ (400)	76 (35)	FPR715N10XS	M	FPR715N10XW	M
	240	30.0	3	5	15 ³ / ₄ (400)	76 (35)	FPR715N3XS	M	FPR715N3XW	M
	480	30.0	1	3	15 ³ / ₄ (400)	76 (35)	FPR715N11XS	M	FPR715N11XW	M
	480	30.0	3	1	15 ³ / ₄ (400)	76 (35)	FPR715N5XS	M	FPR715N5XW	M
	240	45.0	1	5	21 ³ / ₄ (552)	82 (38)	FPR721N10XS	M	FPR721N10XW	M
	240	45.0	3	5	21 ³ / ₄ (552)	82 (38)	FPR721N3XS	M	FPR721N3XW	M
	480	45.0	1	3	21 ³ / ₄ (552)	82 (38)	FPR721N11XS	M	FPR721N11XW	M
	480	45.0	3	5	21 ³ / ₄ (552)	82 (38)	FPR721N5XS	M	FPR721N5XW	M
	240	60.0	3	5	27 ¹ / ₄ (692)	85 (39)	FPR727E3XS	M	FPR727E3XW	M
	480	60.0	1	3	27 ¹ / ₄ (692)	85 (39)	FPR727E11XS	M	FPR727E11XW	M
	480	60.0	3	5	27 ¹ / ₄ (692)	85 (39)	FPR727E5XS	M	FPR727E5XW	M
	240	75.0	3	5	32 ³ / ₄ (832)	90 (41)	FPR732N3XS	M	FPR732N3XW	M
	480	75.0	1	5	32 ³ / ₄ (832)	90 (41)	FPR732N11XS	M	FPR732N11XW	M
	480	75.0	3	5	32 ³ / ₄ (832)	90 (41)	FPR732N5XS	M	FPR732N5XW	M
	240	90.0	3	5	38 ¹ / ₄ (972)	98 (45)	FPR738E3XS	M	FPR738E3XW	M
	480	90.0	3	5	38 ¹ / ₄ (972)	98 (45)	FPR738E5XS	M	FPR738E5XW	M
	480	125.0	3	5	51 ¹ / ₄ (1302)	108 (49)	FPR751E5XS	M	FPR751E5XW	M
	480	150.0	3	5	60 ³ / ₄ (1543)	120 (55)	FPR760N5XS	M	FPR760N5XW	M

• M - Manufacturing lead times

- Notes:**
- All flange bundles are designed to fit the inside diameter of the equivalent standard schedule pipe
 - For ANSI flange dimensions, reference chart on page 241

■ Truck Shipment only

Immersion Heaters

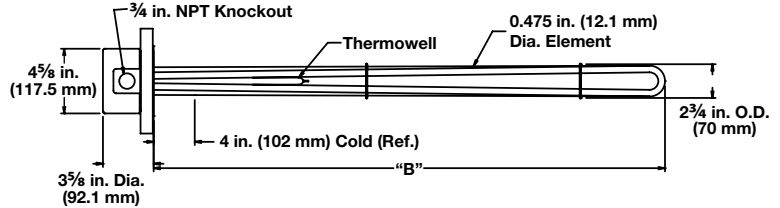
WATROD and FIREBAR ANSI Flange Immersion Heaters



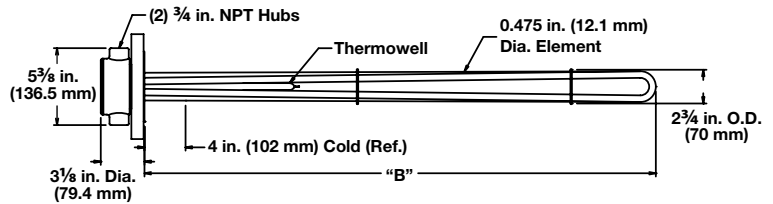
Application: Process Water

- 3 inch - 150 lb ANSI flange
- WATROD elements
- Without thermostat
- General purpose or moisture-resistant enclosures
- Single circuit

General Purpose



Moisture Resistant



Description	Volts	kW	Ph	"B" Dim.		Ship Wt.		Part Number	Del.	Part Number		Del.
				in.	(mm)	lbs	(kg)			Moisture-Resistant Enclosure		
48 W/in ² © Steel Flange 3-Alloy 800 Elements (7.5 W/cm ²)	General Purpose Enclosure											
	Moisture-Resistant Enclosure											
	240	4.5	1	13 ¹ / ₂	(343)	22	(10)	FMN713J10S	RS	FMN713J10W	RS	
	240	4.5	3	13 ¹ / ₂	(343)	22	(10)	FMN713J3S	RS	FMN713J3W	RS	
	480	4.5	1	13 ¹ / ₂	(343)	22	(10)	FMN713J11S	RS	FMN713J11W	RS	
	480	4.5	3	13 ¹ / ₂	(343)	22	(10)	FMN713J5S	RS	FMN713J5W	RS	
	240	6.0	1	18	(457)	23	(11)	FMN718A10S	RS	FMN718A10W	RS	
	240	6.0	3	18	(457)	23	(11)	FMN718A3S	RS	FMN718A3W	RS	
	480	6.0	1	18	(457)	23	(11)	FMN718A11S	RS	FMN718A11W	RS	
	480	6.0	3	18	(457)	23	(11)	FMN718A5S	RS	FMN718A5W	RS	
	240	7.5	1	20 ¹ / ₂	(521)	25	(12)	FMN720J10S	RS	FMN720J10W	RS	
	240	7.5	3	20 ¹ / ₂	(521)	25	(12)	FMN720J3S	RS	FMN720J3W	RS	
	480	7.5	1	20 ¹ / ₂	(521)	25	(12)	FMN720J11S	RS	FMN720J11W	RS	
	480	7.5	3	20 ¹ / ₂	(521)	25	(12)	FMN720J5S	RS	FMN720J5W	RS	
	240	9.0	1	25 ¹ / ₂	(648)	27	(13)	FMN725J10S	RS	FMN725J10W	RS	
	240	9.0	3	25 ¹ / ₂	(648)	27	(13)	FMN725J3S	RS	FMN725J3W	RS	
	480	9.0	1	25 ¹ / ₂	(648)	27	(13)	FMN725J11S	RS	FMN725J11W	RS	
	480	9.0	3	25 ¹ / ₂	(648)	27	(13)	FMN725J5S	RS	FMN725J5W	RS	
	240	12.0	3	33	(838)	28	(13)	FMN733A3S	RS	FMN733A3W	RS	
	480	12.0	1	33	(838)	28	(13)	FMN733A11S	RS	FMN733A11W	RS	
	480	12.0	3	33	(838)	28	(13)	FMN733A5S	RS	FMN733A5W	RS	
	240	15.0	3	40 ¹ / ₂	(1029)	30	(14)	FMN740J3S	RS	FMN740J3W	RS	
	480	15.0	1	40 ¹ / ₂	(1029)	30	(14)	FMN740J11S	RS	FMN740J11W	RS	
	480	15.0	3	40 ¹ / ₂	(1029)	30	(14)	FMN740J5S	RS	FMN740J5W	RS	
	240	18.0	3	48	(1219)	32	(15)	FMN748A3S	RS	FMN748A3W	RS	
	480	18.0	1	48	(1219)	32	(15)	FMN748A11S	RS	FMN748A11W	RS	
	480	18.0	3	48	(1219)	32	(15)	FMN748A5S	RS	FMN748A5W	RS	

RAPID SHIP

- RS - Next day shipment up to 5 pieces

Notes: • All flange bundles are designed to fit the inside diameter of the equivalent standard schedule pipe
• For ANSI flange dimensions, reference chart on page 241

© Can be rewired wye to produce 1/3 of the original kW and watt density (3-phase only)

Immersion Heaters

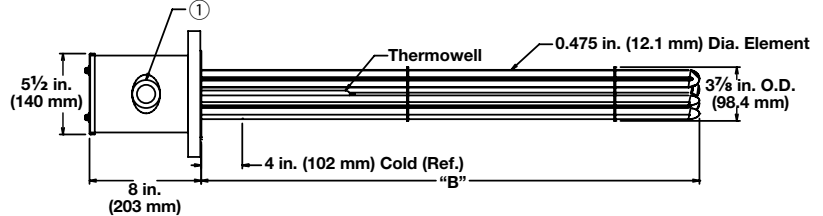
WATROD and FIREBAR ANSI Flange Immersion Heaters



Application: Process Water

- 4 inch - 150 lb ANSI flange
- WATROD elements
- Without thermostat
- General purpose or moisture-resistant enclosures

General Purpose and Moisture Resistant



① The number and size of the conduit opening will comply with the National Electrical Code® standards.

Description	Volts	kW	Ph	# Circ.	"B" Dim. in. (mm)	Ship Wt. lbs (kg)	Part Number		Del.	
							General Purpose Enclosure	Moisture-Resistant Enclosure	Del.	Del.
48 W/in ² © Steel Flange 6-Alloy 800 Elements (7.5 W/cm ²)	240	9.0	1	1	13 1/2 (343)	29 (14)	FON713J10S	RS	FON713J10W	RS
	240	9.0	3	1	13 1/2 (343)	29 (14)	FON713J3S	RS	FON713J3W	RS
	480	9.0	1	1	13 1/2 (343)	29 (14)	FON713J11S	RS	FON713J11W	RS
	480	9.0	3	1	13 1/2 (343)	29 (14)	FON713J5S	RS	FON713J5W	RS
	240	12.0	1	2	18 (457)	32 (15)	FON718A10S	RS	FON718A10W	RS
	240	12.0	3	1	18 (457)	32 (15)	FON718A3S	RS	FON718A3W	RS
	480	12.0	1	1	18 (457)	32 (15)	FON718A11S	RS	FON718A11W	RS
	480	12.0	3	1	18 (457)	32 (15)	FON718A5S	RS	FON718A5W	RS
	240	15.0	1	2	20 1/2 (521)	34 (16)	FON720J10S	RS	FON720J10W	RS
	240	15.0	3	1	20 1/2 (521)	34 (16)	FON720J3S	RS	FON720J3W	RS
	480	15.0	1	1	20 1/2 (521)	34 (16)	FON720J11S	RS	FON720J11W	RS
	480	15.0	3	1	20 1/2 (521)	34 (16)	FON720J5S	RS	FON720J5W	RS
	240	18.0	1	2	25 1/2 (648)	36 (17)	FON725J10S	RS	FON725J10W	RS
	240	18.0	3	1	25 1/2 (648)	36 (17)	FON725J3S	RS	FON725J3W	RS
	480	18.0	1	1	25 1/2 (648)	36 (17)	FON725J11S	RS	FON725J11W	RS
	480	18.0	3	1	25 1/2 (648)	36 (17)	FON725J5S	RS	FON725J5W	RS
	240	24.0	1	2	33 (838)	39 (18)	FON733A10S	RS	FON733A10W	RS
	240	24.0	3	2	33 (838)	39 (18)	FON733A3S	RS	FON733A3W	RS
	480	24.0	1	1	33 (838)	39 (18)	FON733A11S	RS	FON733A11W	RS
	480	24.0	3	1	33 (838)	39 (18)	FON733A5S	RS	FON733A5W	RS
	240	30.0	3	2	40 1/2 (1029)	43 (20)	FON740J3S	RS	FON740J3W	RS
	480	30.0	1	2	40 1/2 (1029)	43 (20)	FON740J11S	RS	FON740J11W	RS
	480	30.0	3	1	40 1/2 (1029)	43 (20)	FON740J5S	RS	FON740J5W	RS
	240	36.0	3	2	48 (1219)	48 (22)	FON748A3S	RS	FON748A3W	RS
480	36.0	1	2	48 (1219)	48 (22)	FON748A11S	RS	FON748A11W	RS	
480	36.0	3	1	48 (1219)	48 (22)	FON748A5S	RS	FON748A5W	RS	

RAPID SHIP

- RS - Next day shipment up to 5 pieces

Notes: • All flange bundles are designed to fit the inside diameter of the equivalent standard schedule pipe
 • For ANSI flange dimensions, reference chart on page 241

⑥ Can be rewired wye to produce 1/3 of the original kW and watt density (3-phase only)

Immersion Heaters

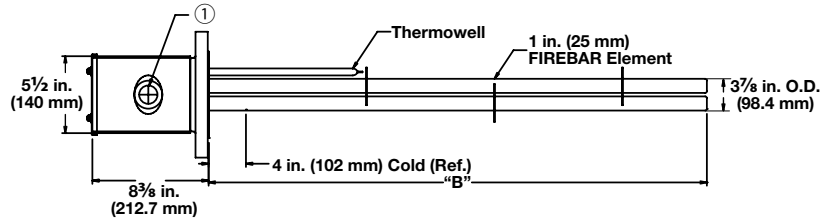
WATROD and FIREBAR ANSI Flange Immersion Heaters



Application: Process Water

- 4 inch - 150 lb ANSI flange
- FIREBAR elements
- Without thermostat
- General purpose or moisture-resistant enclosures

General Purpose and Moisture Resistant



① The number and size of the conduit opening will comply with the National Electrical Code® standards.

Description	Volts	kW	Ph	# Circ.	"B" Dim. in. (mm)	Ship Wt. lbs (kg)	Part Number		Part Number	
							Del.	Del.	Del.	Del.
45 W/in ² 304 SS Flange 6-Alloy 800 Elements (7 W/cm ²)	240	12.0	3	1	13 ³ / ₈ (339.7)	32 (15)	FONF13G27S	RS	FONF13G27W	RS
	240	15.0	3	1	16 (406.0)	35 (16)	FONF16A27S	RS	FONF16A27W	RS
	240	18.0	3	1	18 ³ / ₈ (466.7)	38 (17)	FONF18G27S	RS	FONF18G27W	RS
	240	24.0	3	2	22 ⁷ / ₈ (581.0)	41 (19)	FONF22R27S	RS	FONF22R27W	RS
	480	24.0	3	1	22 ⁷ / ₈ (581.0)	41 (19)	FONF22R28S	RS	FONF22R28W	RS
	240	30.0	3	2	27 ⁷ / ₈ (708.0)	44 (20)	FONF27R27S	RS	FONF27R27W	RS
	480	30.0	3	1	27 ⁷ / ₈ (708.0)	44 (20)	FONF27R28S	RS	FONF27R28W	RS
	240	36.0	3	2	32 ⁷ / ₈ (835.0)	46 (21)	FONF32R27S	RS	FONF32R27W	RS
	480	36.0	3	1	32 ⁷ / ₈ (835.0)	46 (21)	FONF32R28S	RS	FONF32R28W	RS
	480	48.0	3	2	42 ³ / ₈ (1076.3)	50 (23)	FONF42G28S	RS	FONF42G28W	RS
	480	60.0	3	2	51 ⁷ / ₈ (1317.6)	54 (25)	FONF51R28S	RS	FONF51R28W	RS

RAPID SHIP

- RS - Next day shipment up to 5 pieces

- Notes:**
- All flange bundles are designed to fit the inside diameter of the equivalent standard schedule pipe
 - For ANSI flange dimensions, reference chart on page 241

Immersion Heaters

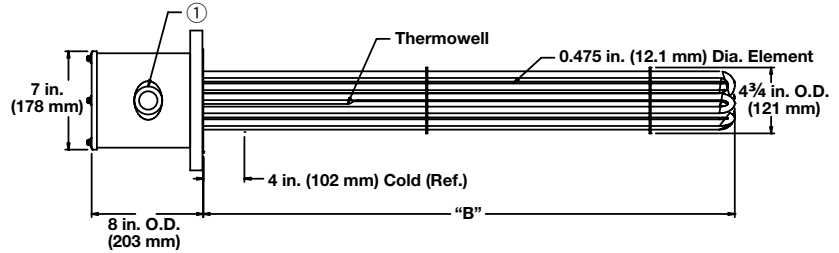
WATROD and FIREBAR ANSI Flange Immersion Heaters



Application: Process Water

- 5 inch - 150 lb ANSI flange
- WATROD elements
- Without thermostat
- General purpose or moisture-resistant enclosures

General Purpose and Moisture Resistant



① The number and size of the conduit opening will comply with the National Electrical Code® standards.

Description	Volts	kW	Ph	# Circ.	"B" Dim.		Ship Wt.		General Purpose Enclosure		Moisture-Resistant Enclosure	
					in.	(mm)	lbs	(kg)	Part Number	Del.	Part Number	Del.
48 W/in ² Steel Flange 6-Alloy 800 Elements (7.5 W/cm ²)	240	9.0	1	1	13 ¹ / ₂	(343)	33	(15)	FNN713J10S	RS	FNN713J10W	RS
	240	9.0	3	1	13 ¹ / ₂	(343)	33	(15)	FNN713J3S	RS	FNN713J3W	RS
	480	9.0	1	1	13 ¹ / ₂	(343)	33	(15)	FNN713J11S	RS	FNN713J11W	RS
	480	9.0	3	1	13 ¹ / ₂	(343)	33	(15)	FNN713J5S	RS	FNN713J5W	RS
	240	12.0	1	2	18	(457)	36	(17)	FNN718A10S	RS	FNN718A10W	RS
	240	12.0	3	1	18	(457)	36	(17)	FNN718A3S	RS	FNN718A3W	RS
	480	12.0	1	1	18	(457)	36	(17)	FNN718A11S	RS	FNN718A11W	RS
	480	12.0	3	1	18	(457)	36	(17)	FNN718A5S	RS	FNN718A5W	RS
	240	15.0	1	2	20 ¹ / ₂	(521)	38	(18)	FNN720J10S	RS	FNN720J10W	RS
	240	15.0	3	1	20 ¹ / ₂	(521)	38	(18)	FNN720J3S	RS	FNN720J3W	RS
	480	15.0	1	1	20 ¹ / ₂	(521)	38	(18)	FNN720J11S	RS	FNN720J11W	RS
	480	15.0	3	1	20 ¹ / ₂	(521)	38	(18)	FNN720J5S	RS	FNN720J5W	RS
	240	18.0	1	2	25 ¹ / ₂	(648)	40	(19)	FNN725J10S	RS	FNN725J10W	RS
	240	18.0	3	1	25 ¹ / ₂	(648)	40	(19)	FNN725J3S	RS	FNN725J3W	RS
	480	18.0	1	1	25 ¹ / ₂	(648)	40	(19)	FNN725J11S	RS	FNN725J11W	RS
	480	18.0	3	1	25 ¹ / ₂	(648)	40	(19)	FNN725J5S	RS	FNN725J5W	RS
	240	24.0	1	3	33	(838)	43	(20)	FNN733A10S	RS	FNN733A10W	RS
	240	24.0	3	2	33	(838)	43	(20)	FNN733A3S	RS	FNN733A3W	RS
	480	24.0	1	1	33	(838)	43	(20)	FNN733A11S	RS	FNN733A11W	RS
	480	24.0	3	1	33	(838)	43	(20)	FNN733A5S	RS	FNN733A5W	RS
	240	30.0	3	2	40 ¹ / ₂	(1029)	47	(22)	FNN740J3S	RS	FNN740J3W	RS
	480	30.0	1	2	40 ¹ / ₂	(1029)	47	(22)	FNN740J11S	RS	FNN740J11W	RS
	480	30.0	3	1	40 ¹ / ₂	(1029)	47	(22)	FNN740J5S	RS	FNN740J5W	RS
	240	36.0	3	2	48	(1219)	52	(24)	FNN748A3S	RS	FNN748A3W	RS
480	36.0	1	2	48	(1219)	52	(24)	FNN748A11S	RS	FNN748A11W	RS	
480	36.0	3	1	48	(1219)	52	(24)	FNN748A5S	RS	FNN748A5W	RS	

RAPID SHIP

- RS - Next day shipment up to 5 pieces

- Notes:**
- All flange bundles are designed to fit the inside diameter of the equivalent standard schedule pipe
 - For ANSI flange dimensions, reference chart on page 241

Immersion Heaters

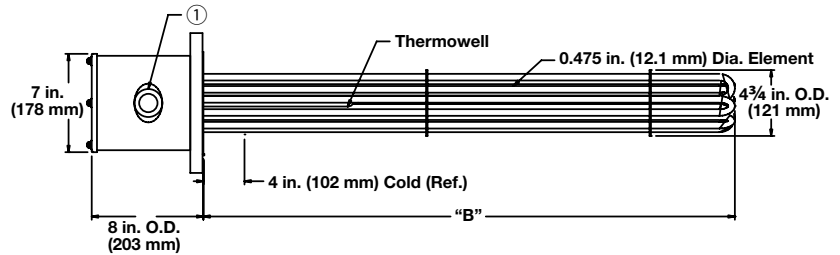
WATROD and FIREBAR ANSI Flange Immersion Heaters



Application: Process Water

- 5 inch - 150 lb ANSI flange
- WATROD elements
- Without thermostat
- General purpose or moisture-resistant enclosures

General Purpose and Moisture Resistant



① The number and size of the conduit opening will comply with the National Electrical Code® standards.

Description	Volts	kW	Ph	# Circ.	"B" Dim.		Ship Wt.	Part Number		Part Number		
					in.	(mm)		lbs	(kg)	Del.	Del.	
48 W/in ² Steel Flange 9-Alloy 800 Elements (7.5 W/cm ²)	240	14.0	1	3	13 ¹ / ₂	(343)	35	(16)	General Purpose Enclosure		Moisture-Resistant Enclosure	
									FNN713J10XS	RS	FNN713J10XW	RS
									FNN713J3XS	RS	FNN713J3XW	RS
									FNN713J11XS	RS	FNN713J11XW	RS
									FNN713J5XS	RS	FNN713J5XW	RS
									FNN718A10XS	RS	FNN718A10XW	RS
									FNN718A3XS	RS	FNN718A3XW	RS
									FNN718A11XS	RS	FNN718A11XW	RS
									FNN718A5XS	RS	FNN718A5XW	RS
									FNN720J10XS	RS	FNN720J10XW	RS
									FNN720J3XS	RS	FNN720J3XW	RS
									FNN720J11XS	RS	FNN720J11XW	RS
									FNN720J5XS	RS	FNN720J5XW	RS
									FNN725J10XS	RS	FNN725J10XW	RS
									FNN725J3XS	RS	FNN725J3XW	RS
									FNN725J11XS	RS	FNN725J11XW	RS
									FNN725J5XS	RS	FNN725J5XW	RS
									FNN733A3XS	RS	FNN733A3XW	RS
									FNN733A11XS	RS	FNN733A11XW	RS
									FNN733A5XS	RS	FNN733A5XW	RS
									FNN740J3XS	RS	FNN740J3XW	RS
									FNN740J11XS	RS	FNN740J11XW	RS
									FNN740J5XS	RS	FNN740J5XW	RS
									FNN748A3XS	RS	FNN748A3XW	RS
									FNN748A11XS	RS	FNN748A11XW	RS
									FNN748A5XS	RS	FNN748A5XW	RS

RAPID SHIP

- RS - Next day shipment up to 5 pieces

- Notes:**
- All flange bundles are designed to fit the inside diameter of the equivalent standard schedule pipe
 - For ANSI flange dimensions, reference chart on page 241

Immersion Heaters

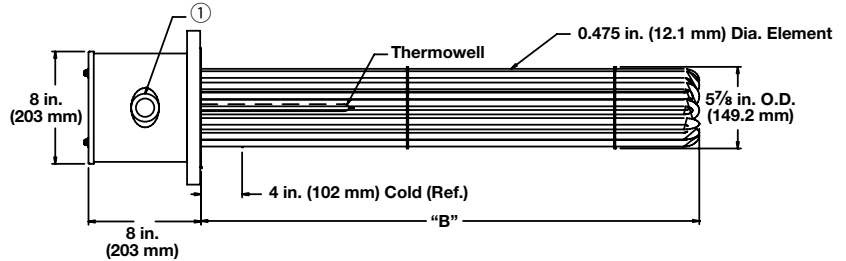
WATROD and FIREBAR ANSI Flange Immersion Heaters



Application: Process Water

- 6 inch - 150 lb ANSI flange
- WATROD elements
- Without thermostat
- General purpose or moisture-resistant enclosures

General Purpose and Moisture Resistant



① The number and size of the conduit opening will comply with the National Electrical Code® standards.

Description	Volts	kW	Ph	# Circ.	"B" Dim.		Ship Wt.		Part Number		Part Number	
					in.	(mm)	lbs	(kg)	Del.	Del.		
48 W/in² Steel Flange 12-Alloy 800 Elements (7.5 W/cm²)	240	18.0	1	2	13 ³ / ₈	(339.7)	73	(33)	General Purpose Enclosure		Moisture-Resistant Enclosure	
									FPN713G10S	RS	FPN713G10W	RS
	240	18.0	3	1	13 ³ / ₈	(339.7)	73	(33)	FPN713G3S	RS	FPN713G3W	RS
	480	18.0	1	1	13 ³ / ₈	(339.7)	73	(33)	FPN713G11S	RS	FPN713G11W	RS
	480	18.0	3	1	13 ³ / ₈	(339.7)	73	(33)	FPN713G5S	RS	FPN713G5W	RS
	240	24.0	1	3	17 ⁷ / ₈	(454.0)	75	(34)	FPN717R10S	M	FPN717R10W	M
	240	24.0	3	2	17 ⁷ / ₈	(454.0)	75	(34)	FPN717R3S	M	FPN717R3W	M
	480	24.0	1	2	17 ⁷ / ₈	(454.0)	75	(34)	FPN717R11S	M	FPN717R11W	M
	480	24.0	3	1	17 ⁷ / ₈	(454.0)	75	(34)	FPN717R5S	M	FPN717R5W	M
	240	30.0	1	3	20 ³ / ₈	(517.5)	78	(36)	FPN720G10S	M	FPN720G10W	M
	240	30.0	3	2	20 ³ / ₈	(517.5)	78	(36)	FPN720G3S	M	FPN720G3W	M
	480	30.0	1	2	20 ³ / ₈	(517.5)	78	(36)	FPN720G11S	M	FPN720G11W	M
	480	30.0	3	1	20 ³ / ₈	(517.5)	78	(36)	FPN720G5S	M	FPN720G5W	M
	240	36.0	1	4	25 ³ / ₈	(644.5)	81	(37)	FPN725G10S	M	FPN725G10W	M
	240	36.0	3	2	25 ³ / ₈	(644.5)	81	(37)	FPN725G3S	M	FPN725G3W	M
	480	36.0	1	2	25 ³ / ₈	(644.5)	81	(37)	FPN725G11S	M	FPN725G11W	M
	480	36.0	3	1	25 ³ / ₈	(644.5)	81	(37)	FPN725G5S	M	FPN725G5W	M
	240	48.0	3	4	32 ⁷ / ₈	(835.0)	85	(39)	FPN732R3S	M	FPN732R3W	M
	480	48.0	1	3	32 ⁷ / ₈	(835.0)	85	(39)	FPN732R11S	M	FPN732R11W	M
	480	48.0	3	2	32 ⁷ / ₈	(835.0)	85	(39)	FPN732R5S	M	FPN732R5W	M
	240	60.0	3	4	40 ³ / ₈	(1025.5)	92	(42)	FPN740G3S	M	FPN740G3W	M
	480	60.0	1	3	40 ³ / ₈	(1025.5)	92	(42)	FPN740G11S	M	FPN740G11W	M
	480	60.0	3	2	40 ³ / ₈	(1025.5)	92	(42)	FPN740G5S	M	FPN740G5W	M
	240	72.0	3	4	47 ⁷ / ₈	(1216.0)	100	(46)	FPN747R3S	M	FPN747R3W	M
480	72.0	3	2	47 ⁷ / ₈	(1216.0)	100	(46)	FPN747R5S	M	FPN747R5W	M	

RAPID SHIP

- **RS** - Next day shipment up to 2 pieces
- **M** - Manufacturing lead times

- Notes:**
- All flange bundles are designed to fit the inside diameter of the equivalent standard schedule pipe
 - For ANSI flange dimensions, reference chart on page 241
 - Truck Shipment only

Immersion Heaters

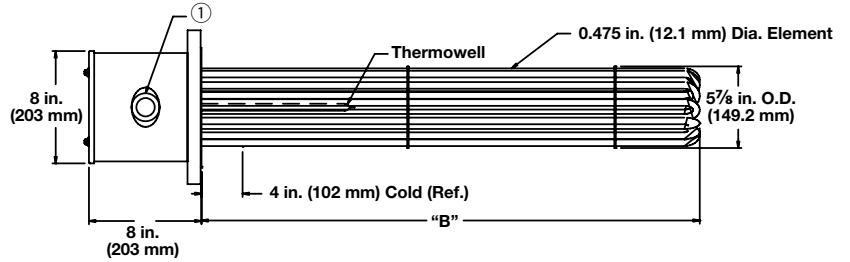
WATROD and FIREBAR ANSI Flange Immersion Heaters



Application: Process Water

- 6 inch - 150 lb ANSI flange
- WATROD elements
- Without thermostat
- General purpose or moisture-resistant enclosures

General Purpose and Moisture Resistant



① The number and size of the conduit opening will comply with the National Electrical Code® standards.

Description	Volts	kW	Ph	# Circ.	"B" Dim. in. (mm)		Ship Wt. lbs (kg)		Part Number		Part Number	
									Del.	Del.	Del.	Del.
48 W/in² Steel Flange 15-Alloy 800 Elements (7.5 W/cm²)	240	23.0	1	3	13 ³ / ₈	(339.7)	76	(35)	General Purpose Enclosure		Moisture-Resistant Enclosure	
									FPN713G10XS	M	FPN713G10XW	M
	240	23.0	3	5	13 ³ / ₈	(339.7)	76	(35)	FPN713G3XS	M	FPN713G3XW	M
	480	23.0	1	1	13 ³ / ₈	(339.7)	76	(35)	FPN713G11XS	M	FPN713G11XW	M
	480	23.0	3	1	13 ³ / ₈	(339.7)	76	(35)	FPN713G5XS	M	FPN713G5XW	M
	240	30.0	1	3	17 ⁷ / ₈	(441.3)	78	(36)	FPN717R10XS	M	FPN717R10XW	M
	240	30.0	3	5	17 ⁷ / ₈	(441.3)	78	(36)	FPN717R3XS	M	FPN717R3XW	M
	480	30.0	1	3	17 ⁷ / ₈	(441.3)	78	(36)	FPN717R11XS	M	FPN717R11XW	M
	480	30.0	3	1	17 ⁷ / ₈	(441.3)	78	(36)	FPN717R5XS	M	FPN717R5XW	M
	240	38.0	1	5	20 ³ / ₈	(517.5)	82	(38)	FPN720G10XS	M	FPN720G10XW	M
	240	38.0	3	5	20 ³ / ₈	(517.5)	82	(38)	FPN720G3XS	M	FPN720G3XW	M
	480	38.0	1	3	20 ³ / ₈	(517.5)	82	(38)	FPN720G11XS	M	FPN720G11XW	M
	480	38.0	3	1	20 ³ / ₈	(517.5)	82	(38)	FPN720G5XS	M	FPN720G5XW	M
	240	45.0	1	5	25 ³ / ₈	(644.5)	85	(39)	FPN725G10XS	M	FPN725G10XW	M
	240	45.0	3	5	25 ³ / ₈	(644.5)	85	(39)	FPN725G3XS	M	FPN725G3XW	M
	480	45.0	1	3	25 ³ / ₈	(644.5)	85	(39)	FPN725G11XS	M	FPN725G11XW	M
	480	45.0	3	5	25 ³ / ₈	(644.5)	85	(39)	FPN725G5XS	M	FPN725G5XW	M
	240	60.0	3	5	32 ⁷ / ₈	(835.0)	90	(41)	FPN732R3XS	M	FPN732R3XW	M
	480	60.0	1	3	32 ⁷ / ₈	(835.0)	90	(41)	FPN732R11XS	M	FPN732R11XW	M
	480	60.0	3	5	32 ⁷ / ₈	(835.0)	90	(41)	FPN732R5XS	M	FPN732R5XW	M
	240	75.0	3	5	40 ³ / ₈	(1025.5)	98	(45)	FPN740G3XS	M	FPN740G3XW	M
	480	75.0	1	5	40 ³ / ₈	(1025.5)	98	(45)	FPN740G11XS	M	FPN740G11XW	M
	480	75.0	3	5	40 ³ / ₈	(1025.5)	98	(45)	FPN740G5XS	M	FPN740G5XW	M
	240	90.0	3	5	47 ⁷ / ₈	(1216.0)	108	(49)	FPN747R3XS	M	FPN747R3XW	M
	480	90.0	3	5	47 ⁷ / ₈	(1216.0)	108	(49)	FPN747R5XS	M	FPN747R5XW	M

• M - Manufacturing lead times

- Notes:**
- All flange bundles are designed to fit the inside diameter of the equivalent standard schedule pipe
 - For ANSI flange dimensions, reference chart on page 241
 - Truck Shipment only

Immersion Heaters

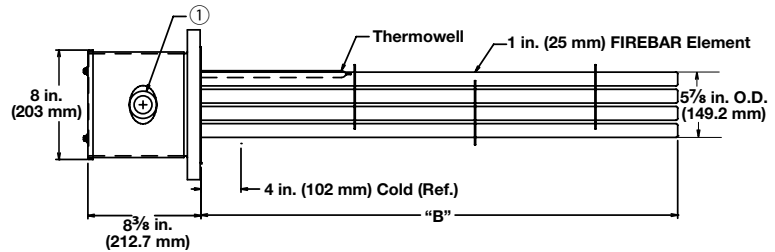
WATROD and FIREBAR ANSI Flange Immersion Heaters



Application: Process Water

- 6 inch - 150 lb ANSI flange
- FIREBAR elements
- Without thermostat
- General purpose or moisture-resistant enclosures

General Purpose and Moisture Resistant



① The number and size of the conduit opening will comply with the National Electrical Code® standards.

Description	Volts	kW	Ph	# Circ.	"B" Dim. in. (mm)	Ship Wt. lbs (kg)	Part Number		Del.	
							General Purpose Enclosure	Moisture-Resistant Enclosure		
45 W/in ² 304 SS Flange 15-Alloy 800 Elements (7 W/cm ²)	240	30.0	3	5	13 ³ / ₈ (339.7)	78 (36)	FPNF13G27S	M	FPNF13G27W	M
	240	37.5	3	5	16 (406.0)	81 (37)	FPNF16A27S	M	FPNF16A27W	M
	240	45.0	3	5	18 ³ / ₈ (466.7)	84 (38)	FPNF18G27S	M	FPNF18G27W	M
	240	60.0	3	5	22 ⁷ / ₈ (581.0)	87 (40)	FPNF22R27S	M	FPNF22R27W	M
	480	60.0	3	5	22 ⁷ / ₈ (581.0)	87 (40)	FPNF22R28S	M	FPNF22R28W	M
	240	75.0	3	5	27 ⁷ / ₈ (708.0)	91 (42)	FPNF27R27S	M	FPNF27R27W	M
	480	75.0	3	5	27 ⁷ / ₈ (708.0)	91 (42)	FPNF27R28S	M	FPNF27R28W	M
	240	90.0	3	5	32 ⁷ / ₈ (835.0)	95 (43)	FPNF32R27S	M	FPNF32R27W	M
	480	90.0	3	5	32 ⁷ / ₈ (835.0)	95 (43)	FPNF32R28S	M	FPNF32R28W	M
	480	120.0	3	5	42 ³ / ₈ (1076.3)	106 (48)	FPNF42G28S	M	FPNF42G28W	M
	480	150.0	3	5	51 ⁷ / ₈ (1317.6)	116 (53)	FPNF51R28S	M	FPNF51R28W	M

• M - Manufacturing lead times

- Notes:**
- All flange bundles are designed to fit the inside diameter of the equivalent standard schedule pipe
 - For ANSI flange dimensions, reference chart on page 241
- Truck Shipment only

Immersion Heaters

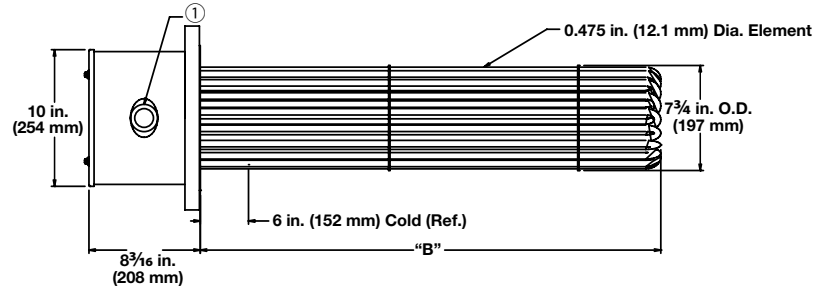
WATROD and FIREBAR ANSI Flange Immersion Heaters



Application: Process Water

- 8 inch - 150 lb ANSI flange
- WATROD elements
- Without thermostat
- General purpose or moisture-resistant enclosures

General Purpose and Moisture Resistant



① The number and size of the conduit opening will comply with the National Electrical Code® standards.

Description	Volts	kW	Ph	# Circ.	"B" Dim. in. (mm)	Ship Wt. lbs (kg)	Part Number		Del.	
							General Purpose Enclosure	Moisture-Resistant Enclosure	Del.	Del.
48 W/in ² Steel Flange 18-Alloy 800 Elements (7.5 W/cm ²)	240	50.0	3	3	25 ³ / ₄ (654.0)	121 (55)	FRN725N3S	M	FRN725N3W	M
	480	50.0	1	3	25 ³ / ₄ (654.0)	121 (55)	FRN725N11S	M	FRN725N11W	M
	480	50.0	3	2	25 ³ / ₄ (654.0)	121 (55)	FRN725N5S	M	FRN725N5W	M
	240	75.0	3	6	35 ³ / ₄ (908.0)	130 (59)	FRN735N3S	M	FRN735N3W	M
	480	75.0	3	2	35 ³ / ₄ (908.0)	130 (59)	FRN735N5S	M	FRN735N5W	M
	240	100.0	3	6	44 ¹ / ₄ (1124.0)	132 (60)	FRN744E3S	M	FRN744E3W	M
	480	100.0	3	3	44 ¹ / ₄ (1124.0)	132 (60)	FRN744E5S	M	FRN744E5W	M
	240	125.0	3	6	54 ¹¹ / ₁₆ (1389.1)	140 (64)	FRN754M3S	M	FRN754M3W	M
	480	125.0	3	6	54 ¹¹ / ₁₆ (1389.1)	140 (64)	FRN754M5S	M	FRN754M5W	M
	480	150.0	3	6	63 ¹¹ / ₁₆ (1617.6)	145 (66)	FRN763M5S	M	FRN763M5W	M
	480	175.0	3	6	73 ³ / ₁₆ (1859.0)	151 (69)	FRN773D5S	M	FRN773D5W	M
	480	200.0	3	6	82 ¹¹ / ₁₆ (2100.3)	157 (72)	FRN782M5S	M	FRN782M5W	M
48 W/in ² Steel Flange 24-Alloy 800 Elements (7.5 W/cm ²)	240	67.0	3	4	26 ³ / ₁₆ (665.2)	129 (59)	FRN726D3XS	M	FRN726D3XW	M
	480	67.0	1	3	26 ³ / ₁₆ (665.2)	129 (59)	FRN726D11XS	M	FRN726D11XW	M
	480	67.0	3	2	26 ³ / ₁₆ (665.2)	129 (59)	FRN726D5XS	M	FRN726D5XW	M
	240	100.0	3	8	36 ³ / ₁₆ (919.2)	142 (65)	FRN736D3XS	M	FRN736D3XW	M
	480	100.0	3	4	36 ³ / ₁₆ (919.2)	142 (65)	FRN736D5XS	M	FRN736D5XW	M
	240	133.0	3	8	44 ¹¹ / ₁₆ (1135.1)	147 (67)	FRN744M3XS	M	FRN744M3XW	M
	480	133.0	3	4	44 ¹¹ / ₁₆ (1135.1)	147 (67)	FRN744M5XS	M	FRN744M5XW	M
	240	167.0	3	8	54 ¹¹ / ₁₆ (1389.1)	158 (72)	FRN754M3XS	M	FRN754M3XW	M
	480	167.0	3	8	54 ¹¹ / ₁₆ (1389.1)	158 (72)	FRN754M5XS	M	FRN754M5XW	M
	480	200.0	3	8	63 ¹¹ / ₁₆ (1617.6)	166 (76)	FRN763M5XS	M	FRN763M5XW	M
	480	233.0	3	8	73 ³ / ₁₆ (1859.0)	175 (80)	FRN773D5XS	M	FRN773D5XW	M
	480	267.0	3	8	82 ¹¹ / ₁₆ (2100.3)	184 (84)	FRN782M5XS	M	FRN782M5XW	M

• M - Manufacturing lead times

Notes:

- All flange bundles are designed to fit the inside diameter of the equivalent standard schedule pipe
- For ANSI flange dimensions, reference chart on page 241

■ Truck Shipment only

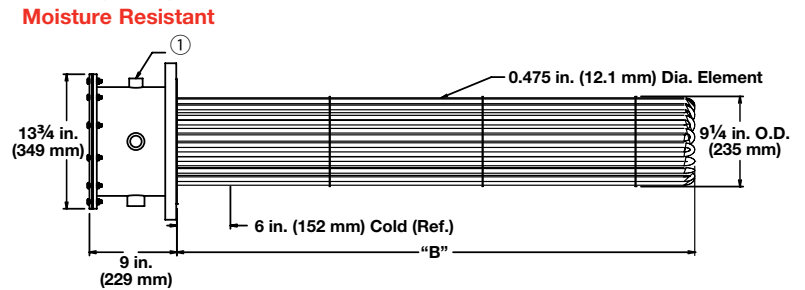
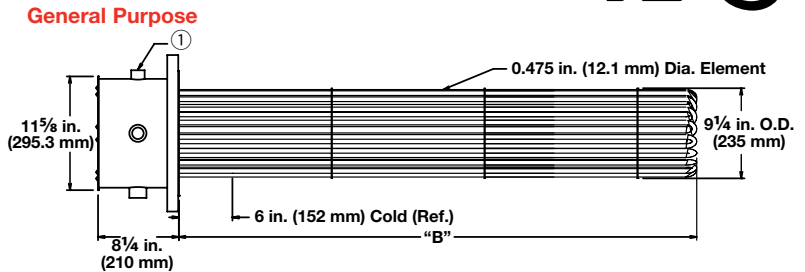
Immersion Heaters

WATROD and FIREBAR ANSI Flange Immersion Heaters



Application: Process Water

- 10 inch - 150 lb ANSI flange
- WATROD elements
- Without thermostat
- General purpose or moisture-resistant enclosures

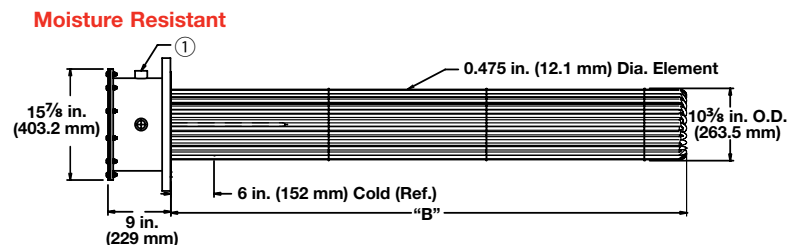
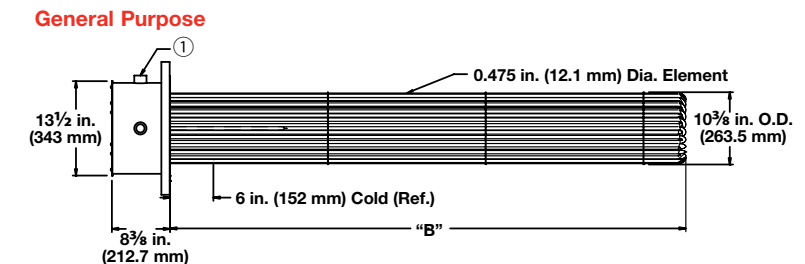


① The number and size of the conduit opening will comply with the National Electrical Code standards.

Description	Volts	kW	Ph	# Circ.	"B" Dim. in. (mm)	Ship Wt. lbs (kg)	Part Number	Del.	Part Number	Del.
48 W/in ² Steel Flange 27-Alloy 800 Elements (7.5 W/cm ²)	480	190.0	3	9	54 ³ / ₄ (1391)	240 (109)	General Purpose Enclosure FSN754N5S	M	Moisture-Resistant Enclosure FSN754N5W	M
	480	262.0	3	9	73 ¹ / ₄ (1861)	260 (118)	FSN773E5S	M	FSN773E5W	M

Application: Process Water

- 12 inch - 150 lb ANSI flange
- WATROD elements
- Without thermostat
- General purpose or moisture-resistant enclosures



① The number and size of the conduit opening will comply with the National Electrical Code standards.

Description	Volts	kW	Ph	# Circ.	"B" Dim. in. (mm)	Ship Wt. lbs (kg)	Part Number	Del.	Part Number	Del.
48 W/in ² Steel Flange 36-Alloy 800 Elements (7.5 W/cm ²)	480	250.0	3	6	54 ⁵ / ₈ (1387.5)	280 (127)	General Purpose Enclosure FTN754L5S	M	Moisture-Resistant Enclosure FTN754L5W	M
	480	350.0	3	12	73 ¹ / ₈ (1857.4)	291 (132)	FTN773C5S	M	FTN773C5W	M

• M - Manufacturing lead times

Notes:

- All flange bundles are designed to fit the inside diameter of the equivalent standard schedule pipe
- For ANSI flange dimensions, reference chart on page 241

■ Truck Shipment only

Immersion Heaters

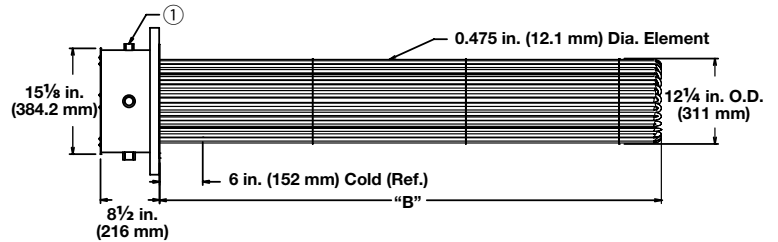
WATROD and FIREBAR ANSI Flange Immersion Heaters



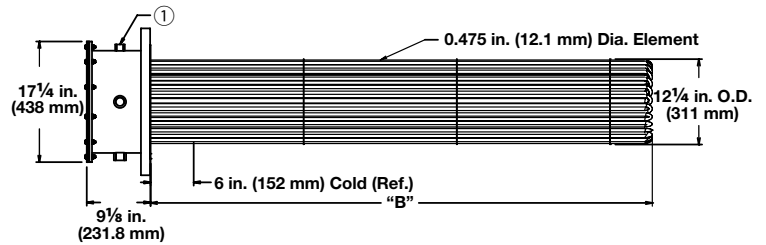
Application: Process Water

- 14 inch - 150 lb ANSI flange
- WATROD elements
- Without thermostat
- General purpose or moisture-resistant enclosures

General Purpose



Moisture Resistant



① The number and size of the conduit opening will comply with the National Electrical Code® standards.

Description	Volts	kW	Ph	# Circ.	"B" Dim. in. (mm)	Ship Wt. lbs (kg)	Part Number	Del.	Part Number	Del.
48 W/in ² Steel Flange 45-Alloy 800 Elements (7.5 W/cm ²)	480	315.0	3	15	54 1/2 (1384)	300 (136)	FWN754J5S	M	FWN754J5W	M
	480	375.0	3	15	63 1/2 (1613)	310 (141)	FWN763J5S	M	FWN763J5W	M

- **M** - Manufacturing lead times

- Notes:**
- All flange bundles are designed to fit the inside diameter of the equivalent standard schedule pipe
 - For ANSI flange dimensions, reference chart on page 241
- Truck Shipment only

Immersion Heaters

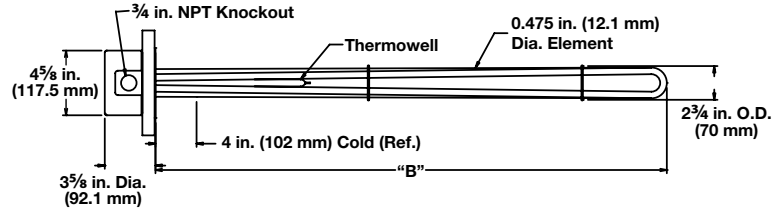
WATROD and FIREBAR ANSI Flange Immersion Heaters



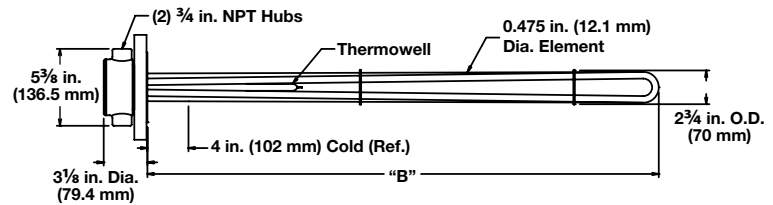
Application: Forced Air and Caustic Solutions

- 3 inch - 150 lb ANSI flange
- WATROD elements
- Without thermostat
- General purpose or moisture-resistant enclosures
- Single circuit

General Purpose



Moisture Resistant



① The number and size of the conduit opening will comply with the National Electrical Code® standards.

Description	Volts	kW	Ph	"B" Dim. in. (mm)		Ship Wt. lbs (kg)		General Purpose Enclosure		Moisture-Resistant Enclosure	
								Part Number	Del.	Part Number	Del.
23 W/in² ® Steel Flange 3-Alloy 800 Elements (3.6 W/cm²)	240	3.0	1	18	(457)	23	(11)	FMNA18A10S	RS	FMNA18A10W	RS
	240	3.0	3	18	(457)	23	(11)	FMNA18A3S	RS	FMNA18A3W	RS
	480	3.0	1	18	(457)	23	(11)	FMNA18A11S	RS	FMNA18A11W	RS
	480	3.0	3	18	(457)	23	(11)	FMNA18A5S	RS	FMNA18A5W	RS
	240	4.5	1	25 1/2	(648)	27	(13)	FMNA25J10S	RS	FMNA25J10W	RS
	240	4.5	3	25 1/2	(648)	27	(13)	FMNA25J3S	RS	FMNA25J3W	RS
	480	4.5	1	25 1/2	(648)	27	(13)	FMNA25J11S	RS	FMNA25J11W	RS
	480	4.5	3	25 1/2	(648)	27	(13)	FMNA25J5S	RS	FMNA25J5W	RS
	240	6.0	1	33	(838)	28	(13)	FMNA33A10S	RS	FMNA33A10W	RS
	240	6.0	3	33	(838)	28	(13)	FMNA33A3S	RS	FMNA33A3W	RS
	480	6.0	1	33	(838)	28	(13)	FMNA33A11S	RS	FMNA33A11W	RS
	480	6.0	3	33	(838)	28	(13)	FMNA33A5S	RS	FMNA33A5W	RS
	240	7.5	1	40 1/2	(1029)	30	(14)	FMNA40J10S	RS	FMNA40J10W	RS
	240	7.5	3	40 1/2	(1029)	30	(14)	FMNA40J3S	RS	FMNA40J3W	RS
	480	7.5	1	40 1/2	(1029)	30	(14)	FMNA40J11S	RS	FMNA40J11W	RS
	480	7.5	3	40 1/2	(1029)	30	(14)	FMNA40J5S	RS	FMNA40J5W	RS
	240	9.0	1	48	(1219)	32	(15)	FMNA48A10S	RS	FMNA48A10W	RS
	240	9.0	3	48	(1219)	32	(15)	FMNA48A3S	RS	FMNA48A3W	RS
	480	9.0	1	48	(1219)	32	(15)	FMNA48A11S	RS	FMNA48A11W	RS
	480	9.0	3	48	(1219)	32	(15)	FMNA48A5S	RS	FMNA48A5W	RS
	240	12.5	3	64 1/2	(1638)	37	(17)	FMNA64J3S	RS	FMNA64J3W	RS
	480	12.5	1	64 1/2	(1638)	37	(17)	FMNA64J11S	RS	FMNA64J11W	RS
	480	12.5	3	64 1/2	(1638)	37	(17)	FMNA64J5S	RS	FMNA64J5W	RS
	240	15.0	3	77	(1956)	42	(19)	FMNA77A3S	RS	FMNA77A3W	RS
480	15.0	1	77	(1956)	42	(19)	FMNA77A11S	RS	FMNA77A11W	RS	
480	15.0	3	77	(1956)	42	(19)	FMNA77A5S	RS	FMNA77A5W	RS	

RAPID SHIP

- RS - Next day shipment up to 5 pieces

Notes: • All flange bundles are designed to fit the inside diameter of the equivalent standard schedule pipe
• For ANSI flange dimensions, reference chart on page 241

⑥ Can be rewired wye to produce 1/3 of the original kW and watt density (3-phase only)

Immersion Heaters

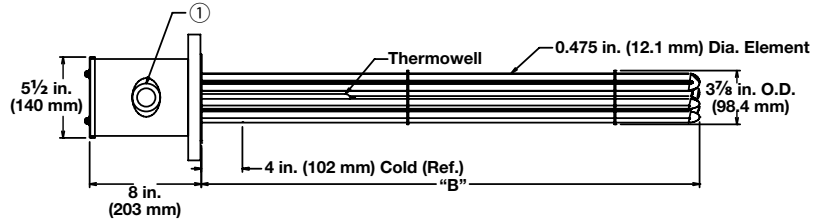
WATROD and FIREBAR ANSI Flange Immersion Heaters



Application: Forced Air and Caustic Solutions

- 4 inch - 150 lb ANSI flange
- WATROD elements
- Without thermostat
- General purpose or moisture-resistant enclosures

General Purpose and Moisture Resistant



① The number and size of the conduit opening will comply with the National Electrical Code® standards.

Description	Volts	kW	Ph	# Circ.	"B" Dim. in.	(mm)	Ship Wt. lbs	(kg)	Part Number		Del.	
									General Purpose Enclosure	Moisture-Resistant Enclosure		
23 W/in² © Steel Flange 6-Alloy 800 Elements (3.6 W/cm²)	240	6.0	1	1	18	(457)	32	(15)	FONA18A10S	RS	FONA18A10W	RS
	240	6.0	3	1	18	(457)	32	(15)	FONA18A3S	RS	FONA18A3W	RS
	480	6.0	1	1	18	(457)	32	(15)	FONA18A11S	RS	FONA18A11W	RS
	480	6.0	3	1	18	(457)	32	(15)	FONA18A5S	RS	FONA18A5W	RS
	240	9.0	1	1	25 ^{1/2}	(648)	36	(17)	FONA25J10S	RS	FONA25J10W	RS
	240	9.0	3	1	25 ^{1/2}	(648)	36	(17)	FONA25J3S	RS	FONA25J3W	RS
	480	9.0	1	1	25 ^{1/2}	(648)	36	(17)	FONA25J11S	RS	FONA25J11W	RS
	480	9.0	3	1	25 ^{1/2}	(648)	36	(17)	FONA25J5S	RS	FONA25J5W	RS
	240	12.0	1	2	33	(838)	39	(18)	FONA33A10S	RS	FONA33A10W	RS
	240	12.0	3	1	33	(838)	39	(18)	FONA33A3S	RS	FONA33A3W	RS
	480	12.0	1	1	33	(838)	39	(18)	FONA33A11S	RS	FONA33A11W	RS
	480	12.0	3	1	33	(838)	39	(18)	FONA33A5S	RS	FONA33A5W	RS
	240	15.0	1	2	40 ^{1/2}	(1029)	43	(20)	FONA40J10S	RS	FONA40J10W	RS
	240	15.0	3	1	40 ^{1/2}	(1029)	43	(20)	FONA40J3S	RS	FONA40J3W	RS
	480	15.0	1	1	40 ^{1/2}	(1029)	43	(20)	FONA40J11S	RS	FONA40J11W	RS
	480	15.0	3	1	40 ^{1/2}	(1029)	43	(20)	FONA40J5S	RS	FONA40J5W	RS
	240	18.0	1	2	48	(1219)	48	(22)	FONA48A10S	RS	FONA48A10W	RS
	240	18.0	3	1	48	(1219)	48	(22)	FONA48A3S	RS	FONA48A3W	RS
	480	18.0	1	1	48	(1219)	48	(22)	FONA48A11S	RS	FONA48A11W	RS
	480	18.0	3	1	48	(1219)	48	(22)	FONA48A5S	RS	FONA48A5W	RS
	240	25.0	3	2	64 ^{1/2}	(1638)	53	(24)	FONA64J3S	RS	FONA64J3W	RS
	480	25.0	1	2	64 ^{1/2}	(1638)	53	(24)	FONA64J11S	RS	FONA64J11W	RS
	480	25.0	3	1	64 ^{1/2}	(1638)	53	(24)	FONA64J5S	RS	FONA64J5W	RS
	240	30.0	3	2	77	(1956)	61	(28)	FONA77A3S	RS	FONA77A3W	RS
480	30.0	1	2	77	(1956)	61	(28)	FONA77A11S	RS	FONA77A11W	RS	
480	30.0	3	1	77	(1956)	61	(28)	FONA77A5S	RS	FONA77A5W	RS	

RAPID SHIP

- RS - Next day shipment up to 5 pieces

Notes: • All flange bundles are designed to fit the inside diameter of the equivalent standard schedule pipe
• For ANSI flange dimensions, reference chart on page 241

⑥ Can be rewired wye to produce 1/3 of the original kW and watt density (3-phase only)

Immersion Heaters

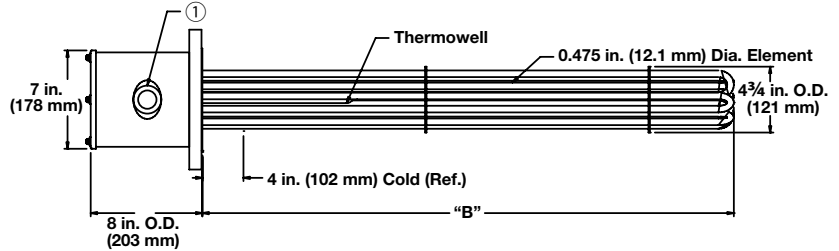
WATROD and FIREBAR ANSI Flange Immersion Heaters



Application: Forced Air and Caustic Solutions

- 5 inch - 150 lb ANSI flange
- WATROD elements
- Without thermostat
- General purpose or moisture-resistant enclosures

General Purpose and Moisture Resistant



① The number and size of the conduit opening will comply with the National Electrical Code® standards.

Description	Volts	kW	Ph	# Circ.	"B" Dim. in. (mm)	Ship Wt. lbs (kg)	Part Number		Del.	
							General Purpose Enclosure	Moisture-Resistant Enclosure	Del.	Del.
23 W/in² ⑥ Steel Flange 6-Alloy 800 Elements (3.6 W/cm²)	240	6.0	1	1	18 (457)	36 (17)	FNNA18A10S	RS	FNNA18A10W	RS
	240	6.0	3	1	18 (457)	36 (17)	FNNA18A3S	RS	FNNA18A3W	RS
	480	6.0	1	1	18 (457)	36 (17)	FNNA18A11S	RS	FNNA18A11W	RS
	480	6.0	3	1	18 (457)	36 (17)	FNNA18A5S	RS	FNNA18A5W	RS
	240	9.0	1	1	25 1/2 (648)	40 (19)	FNNA25J10S	RS	FNNA25J10W	RS
	240	9.0	3	1	25 1/2 (648)	40 (19)	FNNA25J3S	RS	FNNA25J3W	RS
	480	9.0	1	1	25 1/2 (648)	40 (19)	FNNA25J11S	RS	FNNA25J11W	RS
	480	9.0	3	1	25 1/2 (648)	40 (19)	FNNA25J5S	RS	FNNA25J5W	RS
	240	12.0	1	2	33 (838)	43 (20)	FNNA33A10S	RS	FNNA33A10W	RS
	240	12.0	3	1	33 (838)	43 (20)	FNNA33A3S	RS	FNNA33A3W	RS
	480	12.0	1	1	33 (838)	43 (20)	FNNA33A11S	RS	FNNA33A11W	RS
	480	12.0	3	1	33 (838)	43 (20)	FNNA33A5S	RS	FNNA33A5W	RS
	240	15.0	1	2	40 1/2 (1029)	47 (22)	FNNA40J10S	RS	FNNA40J10W	RS
	240	15.0	3	1	40 1/2 (1029)	47 (22)	FNNA40J3S	RS	FNNA40J3W	RS
	480	15.0	1	1	40 1/2 (1029)	47 (22)	FNNA40J11S	RS	FNNA40J11W	RS
	480	15.0	3	1	40 1/2 (1029)	47 (22)	FNNA40J5S	RS	FNNA40J5W	RS
	240	18.0	1	2	48 (1219)	52 (24)	FNNA48A10S	RS	FNNA48A10W	RS
	240	18.0	3	1	48 (1219)	52 (24)	FNNA48A3S	RS	FNNA48A3W	RS
	480	18.0	1	1	48 (1219)	52 (24)	FNNA48A11S	RS	FNNA48A11W	RS
	480	18.0	3	1	48 (1219)	52 (24)	FNNA48A5S	RS	FNNA48A5W	RS
	240	25.0	3	2	64 1/2 (1638)	57 (26)	FNNA64J3S	RS	FNNA64J3W	RS
	480	25.0	1	2	64 1/2 (1638)	57 (26)	FNNA64J11S	RS	FNNA64J11W	RS
	480	25.0	3	1	64 1/2 (1638)	57 (26)	FNNA64J5S	RS	FNNA64J5W	RS
	240	30.0	3	2	77 (1956)	65 (30)	FNNA77A3S	RS	FNNA77A3W	RS
480	30.0	1	2	77 (1956)	65 (30)	FNNA77A11S	RS	FNNA77A11W	RS	
480	30.0	3	1	77 (1956)	65 (30)	FNNA77A5S	RS	FNNA77A5W	RS	

RAPID SHIP

- RS - Next day shipment up to 5 pieces

Notes: • All flange bundles are designed to fit the inside diameter of the equivalent standard schedule pipe
• For ANSI flange dimensions, reference chart on page 241

⑥ Can be rewired wye to produce 1/3 of the original kW and watt density (3-phase only)

Immersion Heaters

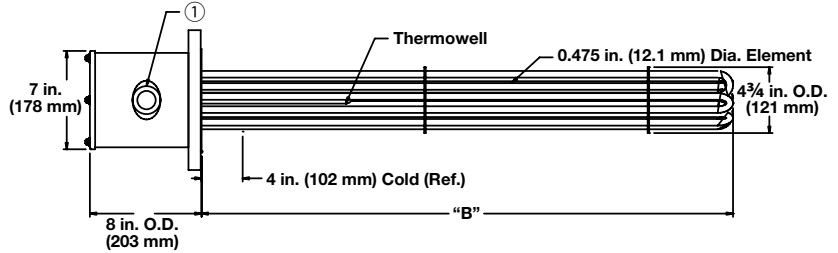
WATROD and FIREBAR ANSI Flange Immersion Heaters



Application: Forced Air and Caustic Solutions

- 5 inch - 150 lb ANSI flange
- WATROD elements
- Without thermostat
- General purpose or moisture-resistant enclosures

General Purpose and Moisture Resistant



① The number and size of the conduit opening will comply with the National Electrical Code® standards.

Description	Volts	kW	Ph	# Circ.	"B" Dim. in.	(mm)	Ship Wt. lbs	(kg)	General Purpose Enclosure		Moisture-Resistant Enclosure	
									Part Number	Del.	Part Number	Del.
23 W/in² © Steel Flange 9-Alloy 800 Elements (3.6 W/cm²)	240	9.0	1	1	18	(457)	39	(18)	FNNA18A10XS	RS	FNNA18A10XW	RS
	240	9.0	3	1	18	(457)	39	(18)	FNNA18A3XS	RS	FNNA18A3XW	RS
	480	9.0	1	1	18	(457)	39	(18)	FNNA18A11XS	RS	FNNA18A11XW	RS
	480	9.0	3	1	18	(457)	39	(18)	FNNA18A5XS	RS	FNNA18A5XW	RS
	240	14.0	1	3	25 ^{1/2}	(648)	45	(21)	FNNA25J10XS	RS	FNNA25J10XW	RS
	240	14.0	3	1	25 ^{1/2}	(648)	45	(21)	FNNA25J3XS	RS	FNNA25J3XW	RS
	480	14.0	1	1	25 ^{1/2}	(648)	45	(21)	FNNA25J11XS	RS	FNNA25J11XW	RS
	480	14.0	3	1	25 ^{1/2}	(648)	45	(21)	FNNA25J5XS	RS	FNNA25J5XW	RS
	240	18.0	1	3	33	(838)	48	(22)	FNNA33A10XS	RS	FNNA33A10XW	RS
	240	18.0	3	1	33	(838)	48	(22)	FNNA33A3XS	RS	FNNA33A3XW	RS
	480	18.0	1	1	33	(838)	48	(22)	FNNA33A11XS	RS	FNNA33A11XW	RS
	480	18.0	3	1	33	(838)	48	(22)	FNNA33A5XS	RS	FNNA33A5XW	RS
	240	23.0	1	3	40 ^{1/2}	(1029)	53	(24)	FNNA40J10XS	RS	FNNA40J10XW	RS
	240	23.0	3	3	40 ^{1/2}	(1029)	53	(24)	FNNA40J3XS	RS	FNNA40J3XW	RS
	480	23.0	1	1	40 ^{1/2}	(1029)	53	(24)	FNNA40J11XS	RS	FNNA40J11XW	RS
	480	23.0	3	1	40 ^{1/2}	(1029)	53	(24)	FNNA40J5XS	RS	FNNA40J5XW	RS
	240	27.0	1	3	48	(1219)	60	(28)	FNNA48A10XS	RS	FNNA48A10XW	RS
	240	27.0	3	3	48	(1219)	60	(28)	FNNA48A3XS	RS	FNNA48A3XW	RS
	480	27.0	1	3	48	(1219)	60	(28)	FNNA48A11XS	RS	FNNA48A11XW	RS
	480	27.0	3	1	48	(1219)	60	(28)	FNNA48A5XS	RS	FNNA48A5XW	RS
	240	38.0	3	3	64 ^{1/2}	(1638)	68	(31)	FNNA64J3XS	RS	FNNA64J3XW	RS
	480	38.0	1	3	64 ^{1/2}	(1638)	68	(31)	FNNA64J11XS	RS	FNNA64J11XW	RS
	480	38.0	3	1	64 ^{1/2}	(1638)	68	(31)	FNNA64J5XS	RS	FNNA64J5XW	RS
	240	45.0	3	3	77	(1956)	78	(36)	FNNA77A3XS	M	FNNA77A3XW	M
	480	45.0	1	3	77	(1956)	78	(36)	FNNA77A11XS	M	FNNA77A11XW	M
	480	45.0	3	3	77	(1956)	78	(36)	FNNA77A5XS	M	FNNA77A5XW	M

RAPID SHIP
 • RS - Next day shipment up to 5 pieces
 • M - Manufacturing lead times

Notes: • All flange bundles are designed to fit the inside diameter of the equivalent standard schedule pipe
 • For ANSI flange dimensions, reference chart on page 241

⑥ Can be rewired wye to produce 1/3 of the original kW and watt density (3-phase only)

■ Truck Shipment only

Immersion Heaters

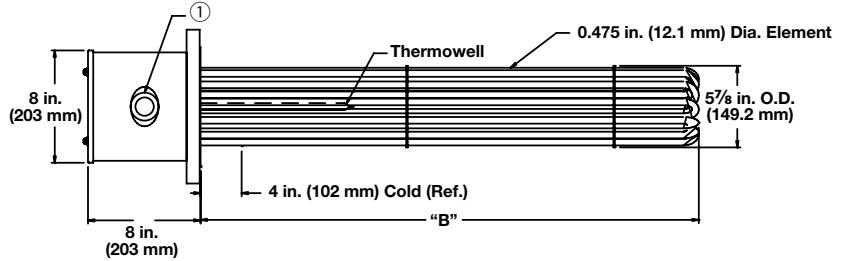
WATROD and FIREBAR ANSI Flange Immersion Heaters



Application: Forced Air and Caustic Solutions

- 6 inch - 150 lb ANSI flange
- WATROD elements
- Without thermostat
- General purpose or moisture-resistant enclosures

General Purpose and Moisture Resistant



① The number and size of the conduit opening will comply with the National Electrical Code® standards.

Description	Volts	kW	Ph	# Circ.	"B" Dim. in. (mm)	Ship Wt. lbs (kg)	Part Number		Part Number	
							Del.	Del.	Del.	Del.
23 W/in² ⑥ Steel Flange 12-Alloy 800 Elements (3.6 W/cm²)	240	12.0	1	2	17 ⁷ / ₈ (454.0)	75 (34)	General Purpose Enclosure		Moisture-Resistant Enclosure	
							FPNA17R10S	M	FPNA17R10W	M
	240	12.0	3	1	17 ⁷ / ₈ (454.0)	75 (34)	FPNA17R3S	M	FPNA17R3W	M
	480	12.0	1	1	17 ⁷ / ₈ (454.0)	75 (34)	FPNA17R11S	M	FPNA17R11W	M
	480	12.0	3	1	17 ⁷ / ₈ (454.0)	75 (34)	FPNA17R5S	M	FPNA17R5W	M
	240	18.0	1	2	25 ³ / ₈ (644.5)	81 (37)	FPNA25G10S	M	FPNA25G10W	M
	240	18.0	3	1	25 ³ / ₈ (644.5)	81 (37)	FPNA25G3S	M	FPNA25G3W	M
	480	18.0	1	1	25 ³ / ₈ (644.5)	81 (37)	FPNA25G11S	M	FPNA25G11W	M
	480	18.0	3	1	25 ³ / ₈ (644.5)	81 (37)	FPNA25G5S	M	FPNA25G5W	M
	240	24.0	1	3	32 ⁷ / ₈ (835.0)	85 (39)	FPNA32R10S	M	FPNA32R10W	M
	240	24.0	3	2	32 ⁷ / ₈ (835.0)	85 (39)	FPNA32R3S	M	FPNA32R3W	M
	480	24.0	1	2	32 ⁷ / ₈ (835.0)	85 (39)	FPNA32R11S	M	FPNA32R11W	M
	480	24.0	3	1	32 ⁷ / ₈ (835.0)	85 (39)	FPNA32R5S	M	FPNA32R5W	M
	240	30.0	1	3	40 ³ / ₈ (1025.5)	92 (42)	FPNA40G10S	M	FPNA40G10W	M
	240	30.0	3	2	40 ³ / ₈ (1025.5)	92 (42)	FPNA40G3S	M	FPNA40G3W	M
	480	30.0	1	2	40 ³ / ₈ (1025.5)	92 (42)	FPNA40G11S	M	FPNA40G11W	M
	480	30.0	3	1	40 ³ / ₈ (1025.5)	92 (42)	FPNA40G5S	M	FPNA40G5W	M
	240	36.0	1	4	47 ⁷ / ₈ (1216.0)	100 (46)	FPNA47R10S	M	FPNA47R10W	M
	240	36.0	3	2	47 ⁷ / ₈ (1216.0)	100 (46)	FPNA47R3S	M	FPNA47R3W	M
	480	36.0	1	2	47 ⁷ / ₈ (1216.0)	100 (46)	FPNA47R11S	M	FPNA47R11W	M
	480	36.0	3	1	47 ⁷ / ₈ (1216.0)	100 (46)	FPNA47R5S	M	FPNA47R5W	M
	240	50.0	3	4	64 ³ / ₈ (1635.1)	110 (50)	FPNA64G3S	M	FPNA64G3W	M
	480	50.0	1	3	64 ³ / ₈ (1635.1)	110 (50)	FPNA64G11S	M	FPNA64G11W	M
	480	50.0	3	2	64 ³ / ₈ (1635.1)	110 (50)	FPNA64G5S	M	FPNA64G5W	M
240	60.0	3	4	76 ⁷ / ₈ (1952.4)	118 (54)	FPNA76R3S	M	FPNA76R3W	M	
480	60.0	1	3	76 ⁷ / ₈ (1952.4)	118 (54)	FPNA76R11S	M	FPNA76R11W	M	
480	60.0	3	2	76 ⁷ / ₈ (1952.4)	118 (54)	FPNA76R5S	M	FPNA76R5W	M	

• M - Manufacturing lead times

Notes: • All flange bundles are designed to fit the inside diameter of the equivalent standard schedule pipe
 • For ANSI flange dimensions, reference chart on page 241

⑥ Can be rewired wye to produce 1/3 of the original kW and watt density (3-phase only)

■ Truck Shipment only

Immersion Heaters

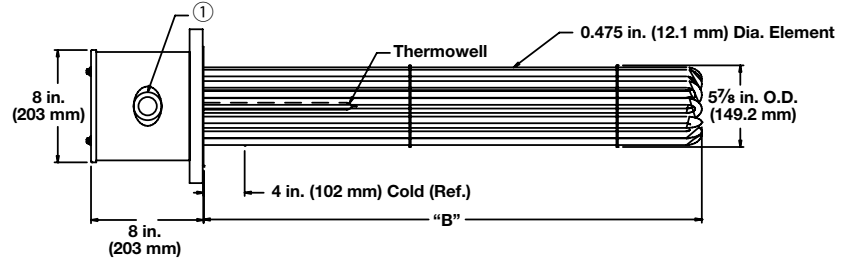
WATROD and FIREBAR ANSI Flange Immersion Heaters



Application: Forced Air and Caustic Solutions

- 6 inch - 150 lb ANSI flange
- WATROD elements
- Without thermostat
- General purpose or moisture-resistant enclosures

General Purpose and Moisture Resistant



① The number and size of the conduit opening will comply with the National Electrical Code® standards.

Description	Volts	kW	Ph	# Circ.	"B" Dim. in. (mm)	Ship Wt. lbs (kg)	Part Number		Del.	
							General Purpose Enclosure	Moisture-Resistant Enclosure		
23 W/in ² ⑥ Steel Flange 15-Alloy 800 Elements (3.6 W/cm ²)	240	15.0	1	3	17 ⁷ / ₈ (454.0)	78 (36)	FPNA17R10XS	M	FPNA17R10XW	M
	240	15.0	3	1	17 ⁷ / ₈ (454.0)	78 (36)	FPNA17R3XS	M	FPNA17R3XW	M
	480	15.0	1	1	17 ⁷ / ₈ (454.0)	78 (36)	FPNA17R11XS	M	FPNA17R11XW	M
	480	15.0	3	1	17 ⁷ / ₈ (454.0)	78 (36)	FPNA17R5XS	M	FPNA17R5XW	M
	240	23.0	1	3	25 ³ / ₈ (644.5)	85 (39)	FPNA25G10XS	M	FPNA25G10XW	M
	240	23.0	3	5	25 ³ / ₈ (644.5)	85 (39)	FPNA25G3XS	M	FPNA25G3XW	M
	480	23.0	1	1	25 ³ / ₈ (644.5)	85 (39)	FPNA25G11XS	M	FPNA25G11XW	M
	480	23.0	3	1	25 ³ / ₈ (644.5)	85 (39)	FPNA25G5XS	M	FPNA25G5XW	M
	240	30.0	1	3	32 ⁷ / ₈ (835.0)	90 (41)	FPNA32R10XS	M	FPNA32R10XW	M
	240	30.0	3	5	32 ⁷ / ₈ (835.0)	90 (41)	FPNA32R3XS	M	FPNA32R3XW	M
	480	30.0	1	3	32 ⁷ / ₈ (835.0)	90 (41)	FPNA32R11XS	M	FPNA32R11XW	M
	480	30.0	3	1	32 ⁷ / ₈ (835.0)	90 (41)	FPNA32R5XS	M	FPNA32R5XW	M
	240	38.0	1	5	40 ³ / ₈ (1025.5)	98 (45)	FPNA40G10XS	M	FPNA40G10XW	M
	240	38.0	3	5	40 ³ / ₈ (1025.5)	98 (45)	FPNA40G3XS	M	FPNA40G3XW	M
	480	38.0	1	3	40 ³ / ₈ (1025.5)	98 (45)	FPNA40G11XS	M	FPNA40G11XW	M
	480	38.0	3	1	40 ³ / ₈ (1025.5)	98 (45)	FPNA40G5XS	M	FPNA40G5XW	M
	240	45.0	1	5	47 ⁷ / ₈ (1216.0)	108 (49)	FPNA47R10XS	M	FPNA47R10XW	M
	240	45.0	3	5	47 ⁷ / ₈ (1216.0)	108 (49)	FPNA47R3XS	M	FPNA47R3XW	M
	480	45.0	1	3	47 ⁷ / ₈ (1216.0)	108 (49)	FPNA47R11XS	M	FPNA47R11XW	M
	480	45.0	3	5	47 ⁷ / ₈ (1216.0)	108 (49)	FPNA47R5XS	M	FPNA47R5XW	M
	240	63.0	3	5	64 ³ / ₈ (1635.1)	120 (55)	FPNA64G3XS	M	FPNA64G3XW	M
	480	63.0	1	3	64 ³ / ₈ (1635.1)	120 (55)	FPNA64G11XS	M	FPNA64G11XW	M
	480	63.0	3	5	64 ³ / ₈ (1635.1)	120 (55)	FPNA64G5XS	M	FPNA64G5XW	M
	240	75.0	3	5	76 ⁷ / ₈ (1952.4)	131 (60)	FPNA76R3XS	M	FPNA76R3XW	M
480	75.0	1	5	76 ⁷ / ₈ (1952.4)	131 (60)	FPNA76R11XS	M	FPNA76R11XW	M	
480	75.0	3	5	76 ⁷ / ₈ (1952.4)	131 (60)	FPNA76R5XS	M	FPNA76R5XW	M	

• M - Manufacturing lead times

Notes: • All flange bundles are designed to fit the inside diameter of the equivalent standard schedule pipe
• For ANSI flange dimensions, reference chart on page 241

⑥ Can be rewired wye to produce 1/3 of the original kW and watt density (3-phase only)

■ Truck Shipment only

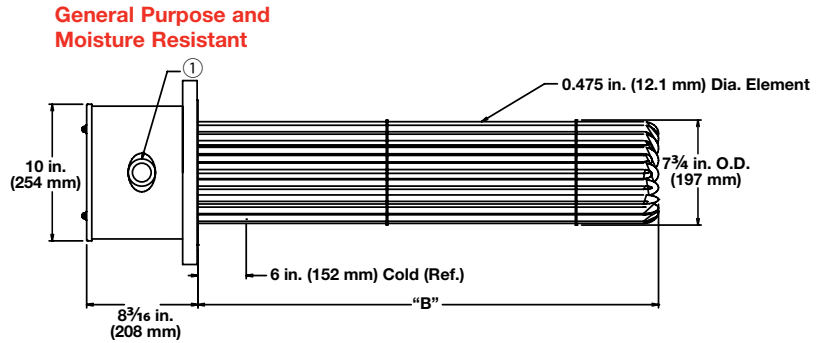
Immersion Heaters

WATROD and FIREBAR ANSI Flange Immersion Heaters



Application: Forced Air and Caustic Solutions

- 8 inch - 150 lb ANSI flange
- WATROD elements
- Without thermostat
- General purpose or moisture-resistant enclosures



① The number and size of the conduit opening will comply with the National Electrical Code® standards.

Description	Volts	kW	Ph	# Circ.	"B" Dim. in. (mm)		Ship Wt. lbs (kg)	Part Number		Part Number	
								Del.	Del.	Del.	Del.
23 W/in² ® Steel Flange 18-Alloy 800 Elements (3.6 W/cm²)	240	30.0	1	3	32 ³ / ₄	(832.0)	130 (59)	General Purpose Enclosure		Moisture-Resistant Enclosure	
								FRNA32N10S	M	FRNA32N10W	M
	240	30.0	3	2	32 ³ / ₄	(832.0)	130 (59)	FRNA32N3S	M	FRNA32N3W	M
	480	30.0	1	2	32 ³ / ₄	(832.0)	130 (59)	FRNA32N11S	M	FRNA32N11W	M
	480	30.0	3	1	32 ³ / ₄	(832.0)	130 (59)	FRNA32N5S	M	FRNA32N5W	M
	240	40.0	3	3	43 ¹ / ₄	(1099.0)	132 (60)	FRNA43E3S	M	FRNA43E3W	M
	480	40.0	1	2	43 ¹ / ₄	(1099.0)	132 (60)	FRNA43E11S	M	FRNA43E11W	M
	480	40.0	3	3	43 ¹ / ₄	(1099.0)	132 (60)	FRNA43E5S	M	FRNA43E5W	M
	240	50.0	3	3	51 ¹¹ / ₁₆	(1312.9)	137 (63)	FRNA51M3S	M	FRNA51M3W	M
	480	50.0	1	3	51 ¹¹ / ₁₆	(1312.9)	137 (63)	FRNA51M11S	M	FRNA51M11W	M
	480	50.0	3	2	51 ¹¹ / ₁₆	(1312.9)	137 (63)	FRNA51M5S	M	FRNA51M5W	M
23 W/in² ® Steel Flange 24-Alloy 800 Elements (3.6 W/cm²)	240	40.0	1	4	33 ³ / ₁₆	(843.0)	142 (65)	FRNA33D10XS	M	FRNA33D10XW	M
	240	40.0	3	4	33 ³ / ₁₆	(843.0)	142 (65)	FRNA33D3XS	M	FRNA33D3XW	M
	480	40.0	1	2	33 ³ / ₁₆	(843.0)	142 (65)	FRNA33D11XS	M	FRNA33D11XW	M
	480	40.0	3	2	33 ³ / ₁₆	(843.0)	142 (65)	FRNA33D5XS	M	FRNA33D5XW	M
	240	53.0	3	4	43 ¹¹ / ₁₆	(1109.7)	147 (67)	FRNA43M3XS	M	FRNA43M3XW	M
	480	53.0	1	3	43 ¹¹ / ₁₆	(1109.7)	147 (67)	FRNA43M11XS	M	FRNA43M11XW	M
	480	53.0	3	2	43 ¹¹ / ₁₆	(1109.7)	147 (67)	FRNA43M5XS	M	FRNA43M5XW	M
	240	67.0	3	4	51 ¹¹ / ₁₆	(1312.9)	154 (70)	FRNA51M3XS	M	FRNA51M3XW	M
	480	67.0	1	3	51 ¹¹ / ₁₆	(1312.9)	154 (70)	FRNA51M11XS	M	FRNA51M11XW	M
		480	67.0	3	2	51 ¹¹ / ₁₆	(1312.9)	154 (70)	FRNA51M5XS	M	FRNA51M5XW

• M - Manufacturing lead times

Notes:

- All flange bundles are designed to fit the inside diameter of the equivalent standard schedule pipe
- For ANSI flange dimensions, reference chart on page 241

⑥ Can be rewired wye to produce 1/3 of the original kW and watt density (3-phase only)

■ Truck Shipment only

Immersion Heaters

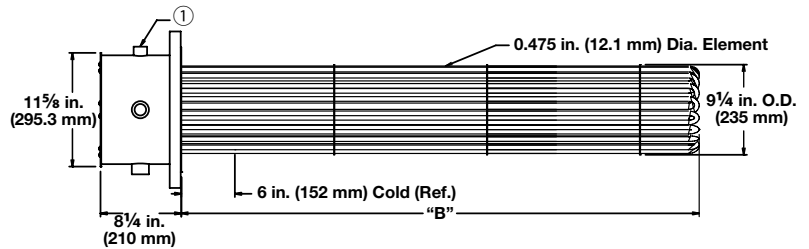
WATROD and FIREBAR ANSI Flange Immersion Heaters



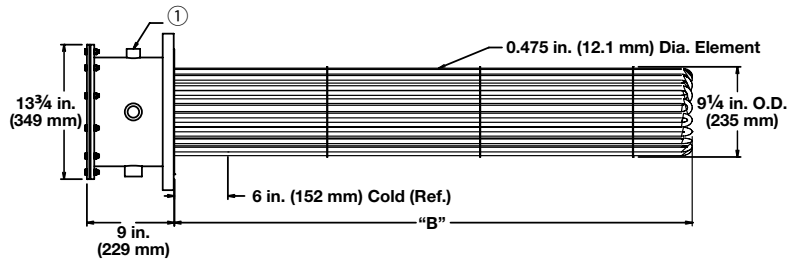
Application: Forced Air and Caustic Solutions

- 10 inch - 150 lb ANSI flange
- WATROD elements
- Without thermostat
- General purpose or moisture-resistant enclosures

General Purpose



Moisture Resistant



① The number and size of the conduit opening will comply with the National Electrical Code® standards.

Description	Volts	kW	Ph	# Circ.	"B" Dim. in. (mm)	Ship Wt. lbs (kg)	General Purpose Enclosure		Moisture-Resistant Enclosure	
							Part Number	Del.	Part Number	Del.
23 W/in ² Steel Flange 27-Alloy 800 Elements (3.6 W/cm ²)	240	45.0	3	3	33 ¹ / ₄ (845)	165 (75)	FSNA33E3S	M	FSNA33E3W	M
	480	45.0	3	3	33 ¹ / ₄ (845)	165 (75)	FSNA33E5S	M	FSNA33E5W	M
	240	60.0	3	3	43 ³ / ₄ (1111)	195 (89)	FSNA43N3S	M	FSNA43N3W	M
	480	60.0	3	3	43 ³ / ₄ (1111)	195 (89)	FSNA43N5S	M	FSNA43N5W	M
	240	75.0	3	9	51 ³ / ₄ (1314)	230 (105)	FSNA51N3S	M	FSNA51N3W	M
	480	75.0	3	3	51 ³ / ₄ (1314)	230 (105)	FSNA51N5S	M	FSNA51N5W	M

• M - Manufacturing lead times

- Notes:**
- All flange bundles are designed to fit the inside diameter of the equivalent standard schedule pipe
 - For ANSI flange dimensions, reference chart on page 241

■ Truck Shipment only

Immersion Heaters

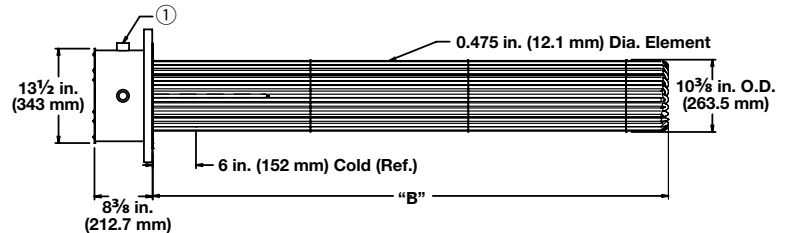
WATROD and FIREBAR ANSI Flange Immersion Heaters



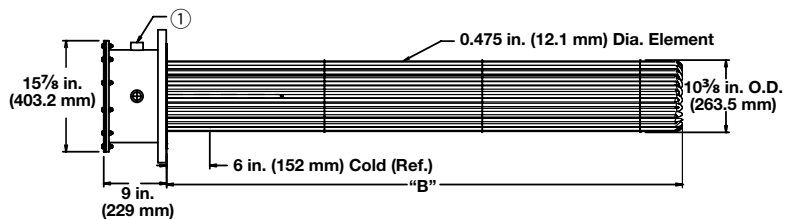
Application: Forced Air and Caustic Solutions

- 12 inch - 150 lb ANSI flange
- WATROD elements
- Without thermostat
- General purpose or moisture-resistant enclosures

General Purpose



Moisture Resistant



① The number and size of the conduit opening will comply with the National Electrical Code® standards.

Description	Volts	kW	Ph	# Circ.	"B" Dim. in. (mm)	Ship Wt. lbs (kg)	Part Number	Del.	Part Number	Del.
23 W/in ² Steel Flange 36-Alloy 800 Elements (3.6 W/cm ²)	480	60.0	3	3	33 ¹ / ₈ (841.4)	205 (93)	FTNA33C5S	M	FTNA33C5W	M
	480	80.0	3	3	43 ⁵ / ₈ (1108.1)	240 (109)	FTNA43L5S	M	FTNA43L5W	M
	480	100.0	3	3	51 ⁵ / ₈ (1311.3)	280 (127)	FTNA51L5S	M	FTNA51L5W	M

- M - Manufacturing lead times

- Notes:**
- All flange bundles are designed to fit the inside diameter of the equivalent standard schedule pipe
 - For ANSI flange dimensions, reference chart on page 241
 - Truck Shipment only

Immersion Heaters

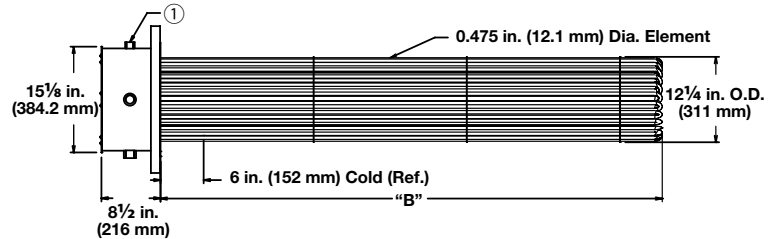
WATROD and FIREBAR ANSI Flange Immersion Heaters



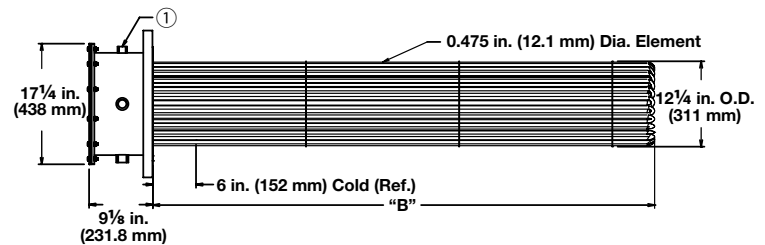
Application: Forced Air and Caustic Solutions

- 14 inch - 150 lb ANSI flange
- WATROD elements
- Without thermostat
- General purpose or moisture-resistant enclosures

General Purpose



Moisture Resistant



① The number and size of the conduit opening will comply with the National Electrical Code® standards.

Description	Volts	kW	Ph	# Circ.	"B" Dim. in. (mm)	Ship Wt. lbs (kg)	Part Number	Del.	Part Number	Del.
23 W/in ² Steel Flange 45-Alloy 800 Elements (3.6 W/cm ²)	480	75.0	3	3	33 (838)	225 (102)	FWNA33A5S	M	FWNA33A5W	M
	480	100.0	3	3	43 1/2 (1105)	255 (116)	FWNA43J5S	M	FWNA43J5W	M
	480	125.0	3	5	51 1/2 (1308)	300 (136)	FWNA51J5S	M	FWNA51J5W	M

- M - Manufacturing lead times

- Notes:**
- All flange bundles are designed to fit the inside diameter of the equivalent standard schedule pipe
 - For ANSI flange dimensions, reference chart on page 241
- Truck Shipment only

Immersion Heaters

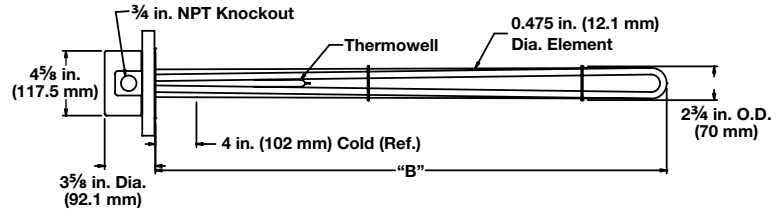
WATROD and FIREBAR ANSI Flange Immersion Heaters



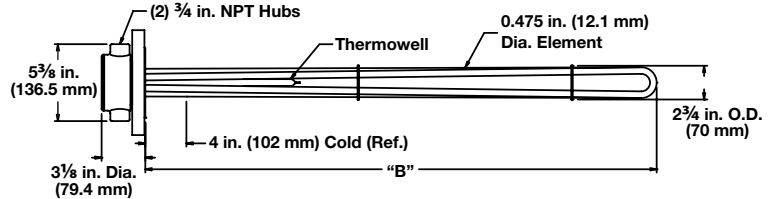
Application: Lightweight Oils and Heat Transfer Oils

- 3 inch - 150 lb ANSI flange
- WATROD elements
- Without thermostat
- General purpose or moisture-resistant enclosures
- Single circuit

General Purpose



Moisture Resistant



Description	Volts	kW	Ph	"B" Dim.		Ship Wt.		Part Number	Del.	Part Number	Del.
				in.	(mm)	lbs	(kg)	General Purpose Enclosure		Moisture-Resistant Enclosure	
23 W/in ² Steel Flange 3-Steel Elements (3.6 W/cm ²)	240	3.0	1	18	(457)	23	(11)	FMS718A10S	RS	FMS718A10W	RS
	240	3.0	3	18	(457)	23	(11)	FMS718A3S	RS	FMS718A3W	RS
	480	3.0	1	18	(457)	23	(11)	FMS718A11S	RS	FMS718A11W	RS
	480	3.0	3	18	(457)	23	(11)	FMS718A5S	RS	FMS718A5W	RS
	240	4.5	1	25 ¹ / ₂	(648)	27	(13)	FMS725J10S	RS	FMS725J10W	RS
	240	4.5	3	25 ¹ / ₂	(648)	27	(13)	FMS725J3S	RS	FMS725J3W	RS
	480	4.5	1	25 ¹ / ₂	(648)	27	(13)	FMS725J11S	RS	FMS725J11W	RS
	480	4.5	3	25 ¹ / ₂	(648)	27	(13)	FMS725J5S	RS	FMS725J5W	RS
	240	6.0	1	33	(838)	28	(13)	FMS733A10S	RS	FMS733A10W	RS
	240	6.0	3	33	(838)	28	(13)	FMS733A3S	RS	FMS733A3W	RS
	480	6.0	1	33	(838)	28	(13)	FMS733A11S	RS	FMS733A11W	RS
	480	6.0	3	33	(838)	28	(13)	FMS733A5S	RS	FMS733A5W	RS
	240	7.5	1	40 ¹ / ₂	(1029)	30	(14)	FMS740J10S	RS	FMS740J10W	RS
	240	7.5	3	40 ¹ / ₂	(1029)	30	(14)	FMS740J3S	RS	FMS740J3W	RS
	480	7.5	1	40 ¹ / ₂	(1029)	30	(14)	FMS740J11S	RS	FMS740J11W	RS
	480	7.5	3	40 ¹ / ₂	(1029)	30	(14)	FMS740J5S	RS	FMS740J5W	RS
	240	9.0	1	48	(1219)	32	(15)	FMS748A10S	RS	FMS748A10W	RS
	240	9.0	3	48	(1219)	32	(15)	FMS748A3S	RS	FMS748A3W	RS
	480	9.0	1	48	(1219)	32	(15)	FMS748A11S	RS	FMS748A11W	RS
	480	9.0	3	48	(1219)	32	(15)	FMS748A5S	RS	FMS748A5W	RS
	240	12.5	3	64 ¹ / ₂	(1638)	37	(17)	FMS764J3S	RS	FMS764J3W	RS
	480	12.5	1	64 ¹ / ₂	(1638)	37	(17)	FMS764J11S	RS	FMS764J11W	RS
	480	12.5	3	64 ¹ / ₂	(1638)	37	(17)	FMS764J5S	RS	FMS764J5W	RS
	240	15.0	3	77	(1956)	42	(19)	FMS777A3S	RS	FMS777A3W	RS
	480	15.0	1	77	(1956)	42	(19)	FMS777A11S	RS	FMS777A11W	RS
	480	15.0	3	77	(1956)	42	(19)	FMS777A5S	RS	FMS777A5W	RS

RAPID SHIP

- RS - Next day shipment up to 5 pieces

Notes:

- All flange bundles are designed to fit the inside diameter of the equivalent standard schedule pipe
- For ANSI flange dimensions, reference chart on page 241

Immersion Heaters

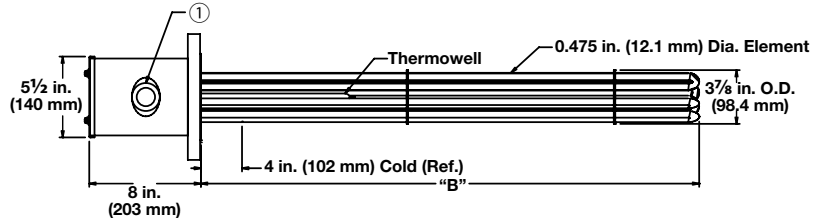
WATROD and FIREBAR ANSI Flange Immersion Heaters



Application: Lightweight Oils and Heat Transfer Oils

- 4 inch - 150 lb ANSI flange
- WATROD elements
- Without thermostat
- General purpose or moisture-resistant enclosures

General Purpose and Moisture Resistant



① The number and size of the conduit opening will comply with the National Electrical Code® standards.

Description	Volts	kW	Ph	# Circ.	"B" Dim. in. (mm)	Ship Wt. lbs (kg)	Part Number		Del.	
							General Purpose Enclosure	Moisture-Resistant Enclosure	Del.	Del.
23 W/in ² Steel Flange 6-Steel Elements (3.6 W/cm ²)	240	6.0	1	1	18 (457)	32 (15)	FOS718A10S	RS	FOS718A10W	RS
	240	6.0	3	1	18 (457)	32 (15)	FOS718A3S	RS	FOS718A3W	RS
	480	6.0	1	1	18 (457)	32 (15)	FOS718A11S	RS	FOS718A11W	RS
	480	6.0	3	1	18 (457)	32 (15)	FOS718A5S	RS	FOS718A5W	RS
	240	9.0	1	1	25 1/2 (648)	36 (17)	FOS725J10S	RS	FOS725J10W	RS
	240	9.0	3	1	25 1/2 (648)	36 (17)	FOS725J3S	RS	FOS725J3W	RS
	480	9.0	1	1	25 1/2 (648)	36 (17)	FOS725J11S	RS	FOS725J11W	RS
	480	9.0	3	1	25 1/2 (648)	36 (17)	FOS725J5S	RS	FOS725J5W	RS
	240	12.0	1	2	33 (838)	39 (18)	FOS733A10S	RS	FOS733A10W	RS
	240	12.0	3	1	33 (838)	39 (18)	FOS733A3S	RS	FOS733A3W	RS
	480	12.0	1	1	33 (838)	39 (18)	FOS733A11S	RS	FOS733A11W	RS
	480	12.0	3	1	33 (838)	39 (18)	FOS733A5S	RS	FOS733A5W	RS
	240	15.0	1	2	40 1/2 (1029)	43 (20)	FOS740J10S	RS	FOS740J10W	RS
	240	15.0	3	1	40 1/2 (1029)	43 (20)	FOS740J3S	RS	FOS740J3W	RS
	480	15.0	1	1	40 1/2 (1029)	43 (20)	FOS740J11S	RS	FOS740J11W	RS
	480	15.0	3	1	40 1/2 (1029)	43 (20)	FOS740J5S	RS	FOS740J5W	RS
	240	18.0	1	2	48 (1219)	48 (22)	FOS748A10S	RS	FOS748A10W	RS
	240	18.0	3	1	48 (1219)	48 (22)	FOS748A3S	RS	FOS748A3W	RS
	480	18.0	1	1	48 (1219)	48 (22)	FOS748A11S	RS	FOS748A11W	RS
	480	18.0	3	1	48 (1219)	48 (22)	FOS748A5S	RS	FOS748A5W	RS
	240	25.0	3	2	64 1/2 (1638)	53 (24)	FOS764J3S	RS	FOS764J3W	RS
	480	25.0	1	2	64 1/2 (1638)	53 (24)	FOS764J11S	RS	FOS764J11W	RS
	480	25.0	3	1	64 1/2 (1638)	53 (24)	FOS764J5S	RS	FOS764J5W	RS
	240	30.0	3	2	77 (1956)	61 (28)	FOS777A3S	RS	FOS777A3W	RS
480	30.0	1	2	77 (1956)	61 (28)	FOS777A11S	RS	FOS777A11W	RS	
480	30.0	3	1	77 (1956)	61 (28)	FOS777A5S	RS	FOS777A5W	RS	

RAPID SHIP

- RS - Next day shipment up to 5 pieces

- Notes:
- All flange bundles are designed to fit the inside diameter of the equivalent standard schedule pipe
 - For ANSI flange dimensions, reference chart on page 241

Immersion Heaters

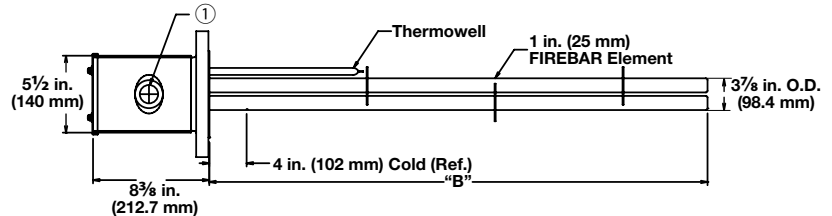
WATROD and FIREBAR ANSI Flange Immersion Heaters



Application: Lightweight Oils and Heat Transfer Oils

- 4 inch - 150 lb ANSI flange
- FIREBAR elements
- Without thermostat
- General purpose or moisture-resistant enclosures

General Purpose and Moisture Resistant



① The number and size of the conduit opening will comply with the National Electrical Code® standards.

Description	Volts	kW	Ph	# Circ.	"B" Dim. in.	(mm)	Ship Wt. lbs	(kg)	Part Number		Del.	
									General Purpose Enclosure	Moisture-Resistant Enclosure	Del.	Del.
30 W/in ² ③ 304 SS Flange 6-Alloy 800 Elements (4.7 W/cm ²)	240	10.0	3	1	16 1/2	(420)	35	(16)	FONF16J12S	RS	FONF16J12W	RS
	480	10.0	3	1	16 1/2	(420)	35	(16)	FONF16J13S	RS	FONF16J13W	RS
	240	13.0	3	1	19 1/2	(495)	38	(17)	FONF19J12S	RS	FONF19J12W	RS
	480	13.0	3	1	19 1/2	(495)	38	(17)	FONF19J13S	RS	FONF19J13W	RS
	240	17.0	3	1	24 1/2	(622)	41	(19)	FONF24J12S	RS	FONF24J12W	RS
	480	17.0	3	1	24 1/2	(622)	41	(19)	FONF24J13S	RS	FONF24J13W	RS
	240	21.0	3	2	30	(762)	44	(20)	FONF30A12S	RS	FONF30A12W	RS
	480	21.0	3	1	30	(762)	44	(20)	FONF30A13S	RS	FONF30A13W	RS
	240	25.5	3	2	35	(889)	46	(21)	FONF35A12S	RS	FONF35A12W	RS
	480	25.5	3	1	35	(889)	46	(21)	FONF35A13S	RS	FONF35A13W	RS
	240	34.0	3	2	45 1/2	(1156)	50	(23)	FONF45J12S	RS	FONF45J12W	RS
	480	34.0	3	1	45 1/2	(1156)	50	(23)	FONF45J13S	RS	FONF45J13W	RS
	480	43.0	3	2	56	(1422)	54	(25)	FONF56A13S	RS	FONF56A13W	RS
23 W/in ² ③ 304 SS Flange 6-Alloy 800 Elements (3.6 W/cm ²)	240	7.5	3	1	16 1/2	(420)	35	(16)	FONF16J20S	RS	FONF16J20W	RS
	240	10.0	3	1	19 1/2	(495)	38	(17)	FONF19J20S	RS	FONF19J20W	RS
	240	12.8	3	1	24 1/2	(622)	41	(19)	FONF24J20S	RS	FONF24J20W	RS
	480	12.8	3	1	24 1/2	(622)	41	(19)	FONF24J19S	RS	FONF24J19W	RS
	240	15.8	3	1	30	(762)	44	(20)	FONF30A20S	RS	FONF30A20W	RS
	480	15.8	3	1	30	(762)	44	(20)	FONF30A19S	RS	FONF30A19W	RS
	240	19.0	3	1	35	(889)	46	(21)	FONF35A20S	RS	FONF35A20W	RS
	480	19.0	3	1	35	(889)	46	(21)	FONF35A19S	RS	FONF35A19W	RS
	240	25.0	3	2	45 1/2	(1156)	50	(23)	FONF45J20S	RS	FONF45J20W	RS
	480	25.0	3	1	45 1/2	(1156)	50	(23)	FONF45J19S	RS	FONF45J19W	RS
	240	32.3	3	2	56	(1422)	54	(25)	FONF56A20S	RS	FONF56A20W	RS
	480	32.3	3	1	56	(1422)	54	(25)	FONF56A19S	RS	FONF56A19W	RS

RAPID SHIP

- RS - Next day shipment up to 5 pieces

Notes: • All flange bundles are designed to fit the inside diameter of the equivalent standard schedule pipe
• For ANSI flange dimensions, reference chart on page 241

- ③ Wired for 3-phase operation only
- ⑧ Can be rewired for 1-phase

Immersion Heaters

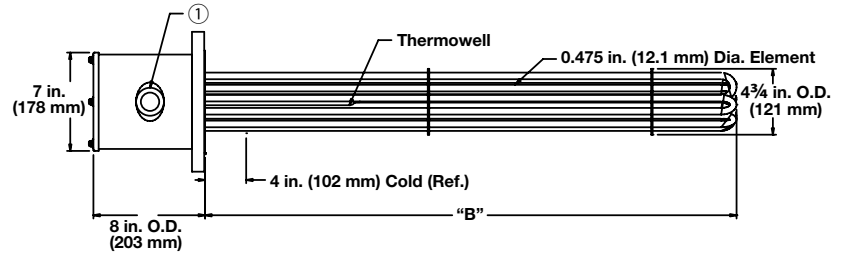
WATROD and FIREBAR ANSI Flange Immersion Heaters



Application: Lightweight Oils and Heat Transfer Oils

- 5 inch - 150 lb ANSI flange
- WATROD elements
- Without thermostat
- General purpose or moisture-resistant enclosures

General Purpose and Moisture Resistant



① The number and size of the conduit opening will comply with the National Electrical Code® standards.

Description	Volts	kW	Ph	# Circ.	"B" Dim.		Ship Wt.		Part Number		Part Number	
					in.	(mm)	lbs	(kg)	Del.	Del.		
23 W/in² Steel Flange 6-Steel Elements (3.6 W/cm²)	240	6.0	1	1	18	(457)	36	(17)	General Purpose Enclosure		Moisture-Resistant Enclosure	
									FNS718A10S	RS	FNS718A10W	RS
	240	6.0	3	1	18	(457)	36	(17)	FNS718A3S	RS	FNS718A3W	RS
	480	6.0	1	1	18	(457)	36	(17)	FNS718A11S	RS	FNS718A11W	RS
	480	6.0	3	1	18	(457)	36	(17)	FNS718A5S	RS	FNS718A5W	RS
	240	9.0	1	1	25 ^{1/2}	(648)	40	(19)	FNS725J10S	RS	FNS725J10W	RS
	240	9.0	3	1	25 ^{1/2}	(648)	40	(19)	FNS725J3S	RS	FNS725J3W	RS
	480	9.0	1	1	25 ^{1/2}	(648)	40	(19)	FNS725J11S	RS	FNS725J11W	RS
	480	9.0	3	1	25 ^{1/2}	(648)	40	(19)	FNS725J5S	RS	FNS725J5W	RS
	240	12.0	1	2	33	(838)	43	(20)	FNS733A10S	RS	FNS733A10W	RS
	240	12.0	3	1	33	(838)	43	(20)	FNS733A3S	RS	FNS733A3W	RS
	480	12.0	1	1	33	(838)	43	(20)	FNS733A11S	RS	FNS733A11W	RS
	480	12.0	3	1	33	(838)	43	(20)	FNS733A5S	RS	FNS733A5W	RS
	240	15.0	1	2	40 ^{1/2}	(1029)	47	(22)	FNS740J10S	RS	FNS740J10W	RS
	240	15.0	3	1	40 ^{1/2}	(1029)	47	(22)	FNS740J3S	RS	FNS740J3W	RS
	480	15.0	1	1	40 ^{1/2}	(1029)	47	(22)	FNS740J11S	RS	FNS740J11W	RS
	480	15.0	3	1	40 ^{1/2}	(1029)	47	(22)	FNS740J5S	RS	FNS740J5W	RS
	240	18.0	1	2	48	(1219)	52	(24)	FNS748A10S	RS	FNS748A10W	RS
	240	18.0	3	1	48	(1219)	52	(24)	FNS748A3S	RS	FNS748A3W	RS
	480	18.0	1	1	48	(1219)	52	(24)	FNS748A11S	RS	FNS748A11W	RS
	480	18.0	3	1	48	(1219)	52	(24)	FNS748A5S	RS	FNS748A5W	RS
	240	25.0	3	2	64 ^{1/2}	(1638)	57	(26)	FNS764J3S	RS	FNS764J3W	RS
	480	25.0	1	2	64 ^{1/2}	(1638)	57	(26)	FNS764J11S	RS	FNS764J11W	RS
	480	25.0	3	1	64 ^{1/2}	(1638)	57	(26)	FNS764J5S	RS	FNS764J5W	RS
	240	30.0	3	2	77	(1956)	65	(30)	FNS777A3S	RS	FNS777A3W	RS
	480	30.0	1	2	77	(1956)	65	(30)	FNS777A11S	RS	FNS777A11W	RS
	480	30.0	3	1	77	(1956)	65	(30)	FNS777A5S	RS	FNS777A5W	RS

RAPID SHIP

- RS - Next day shipment up to 5 pieces

- Notes:**
- All flange bundles are designed to fit the inside diameter of the equivalent standard schedule pipe
 - For ANSI flange dimensions, reference chart on page 241

Immersion Heaters

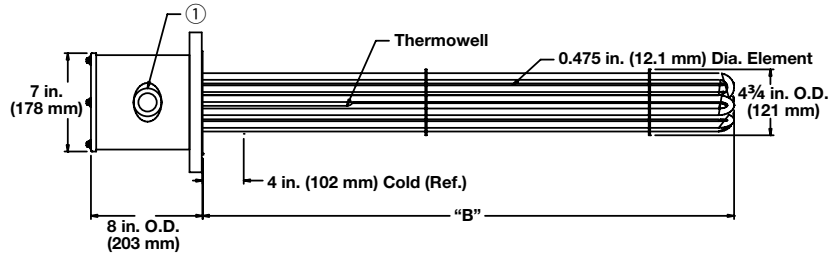
WATROD and FIREBAR ANSI Flange Immersion Heaters



Application: Lightweight Oils and Heat Transfer Oils

- 5 inch - 150 lb ANSI flange
- WATROD elements
- Without thermostat
- General purpose or moisture-resistant enclosures

General Purpose and Moisture Resistant



① The number and size of the conduit opening will comply with the National Electrical Code® standards.

Description	Volts	kW	Ph	# Circ.	"B" Dim. in. (mm)	Ship Wt. lbs (kg)	Part Number		Del.	
							General Purpose Enclosure	Moisture-Resistant Enclosure	Del.	Del.
23 W/in ² Steel Flange 9-Steel Elements (3.6 W/cm ²)	240	9.0	1	1	18 (457)	39 (18)	FNS718A10XS	RS	FNS718A10XW	RS
	240	9.0	3	1	18 (457)	39 (18)	FNS718A3XS	RS	FNS718A3XW	RS
	480	9.0	1	1	18 (457)	39 (18)	FNS718A11XS	RS	FNS718A11XW	RS
	480	9.0	3	1	18 (457)	39 (18)	FNS718A5XS	RS	FNS718A5XW	RS
	240	14.0	1	3	25 ^{1/2} (648)	45 (21)	FNS725J10XS	RS	FNS725J10XW	RS
	240	14.0	3	1	25 ^{1/2} (648)	45 (21)	FNS725J3XS	RS	FNS725J3XW	RS
	480	14.0	1	1	25 ^{1/2} (648)	45 (21)	FNS725J11XS	RS	FNS725J11XW	RS
	480	14.0	3	1	25 ^{1/2} (648)	45 (21)	FNS725J5XS	RS	FNS725J5XW	RS
	240	18.0	1	3	33 (838)	48 (22)	FNS733A10XS	RS	FNS733A10XW	RS
	240	18.0	3	1	33 (838)	48 (22)	FNS733A3XS	RS	FNS733A3XW	RS
	480	18.0	1	1	33 (838)	48 (22)	FNS733A11XS	RS	FNS733A11XW	RS
	480	18.0	3	1	33 (838)	48 (22)	FNS733A5XS	RS	FNS733A5XW	RS
	240	23.0	1	3	40 ^{1/2} (1029)	53 (24)	FNS740J10XS	RS	FNS740J10XW	RS
	240	23.0	3	3	40 ^{1/2} (1029)	53 (24)	FNS740J3XS	RS	FNS740J3XW	RS
	480	23.0	1	1	40 ^{1/2} (1029)	53 (24)	FNS740J11XS	RS	FNS740J11XW	RS
	480	23.0	3	1	40 ^{1/2} (1029)	53 (24)	FNS740J5XS	RS	FNS740J5XW	RS
	240	27.0	1	3	48 (1219)	60 (28)	FNS748A10XS	RS	FNS748A10XW	RS
	240	27.0	3	3	48 (1219)	60 (28)	FNS748A3XS	RS	FNS748A3XW	RS
	480	27.0	1	3	48 (1219)	60 (28)	FNS748A11XS	RS	FNS748A11XW	RS
	480	27.0	3	1	48 (1219)	60 (28)	FNS748A5XS	RS	FNS748A5XW	RS
	240	38.0	3	3	64 ^{1/2} (1638)	68 (31)	FNS764J3XS	RS	FNS764J3XW	RS
	480	38.0	1	3	64 ^{1/2} (1638)	68 (31)	FNS764J11XS	RS	FNS764J11XW	RS
	480	38.0	3	1	64 ^{1/2} (1638)	68 (31)	FNS764J5XS	RS	FNS764J5XW	RS
	240	45.0	3	3	77 (1956)	78 (36)	FNS777A3XS	M	FNS777A3XW	M
480	45.0	1	3	77 (1956)	78 (36)	FNS777A11XS	M	FNS777A11XW	M	
480	45.0	3	3	77 (1956)	78 (36)	FNS777A5XS	M	FNS777A5XW	M	

RAPID SHIP

- **RS** - Next day shipment up to 5 pieces
- **M** - Manufacturing lead times

- Notes:**
- All flange bundles are designed to fit the inside diameter of the equivalent standard schedule pipe
 - For ANSI flange dimensions, reference chart on page 241
- Truck Shipment only

Immersion Heaters

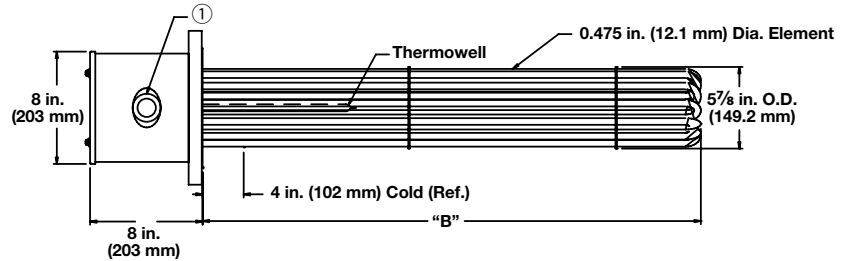
WATROD and FIREBAR ANSI Flange Immersion Heaters



Application: Lightweight Oils and Heat Transfer Oils

- 6 inch - 150 lb ANSI flange
- WATROD elements
- Without thermostat
- General purpose or moisture-resistant enclosures

General Purpose and Moisture Resistant



① The number and size of the conduit opening will comply with the National Electrical Code® standards.

Description	Volts	kW	Ph	# Circ.	"B" Dim. in. (mm)	Ship Wt. lbs (kg)	Part Number		Del.	
							General Purpose Enclosure	Moisture-Resistant Enclosure	Del.	Del.
23 W/in ² Steel Flange 12-Steel Elements (3.6 W/cm ²)	240	12.0	1	2	17 ⁷ / ₈ (454.0)	75 (34)	FPS717R10S	M	FPS717R10W	M
	240	12.0	3	1	17 ⁷ / ₈ (454.0)	75 (34)	FPS717R3S	M	FPS717R3W	M
	480	12.0	1	1	17 ⁷ / ₈ (454.0)	75 (34)	FPS717R11S	M	FPS717R11W	M
	480	12.0	3	1	17 ⁷ / ₈ (454.0)	75 (34)	FPS717R5S	M	FPS717R5W	M
	240	18.0	1	2	25 ³ / ₈ (644.5)	81 (37)	FPS725G10S	M	FPS725G10W	M
	240	18.0	3	1	25 ³ / ₈ (644.5)	81 (37)	FPS725G3S	M	FPS725G3W	M
	480	18.0	1	1	25 ³ / ₈ (644.5)	81 (37)	FPS725G11S	M	FPS725G11W	M
	480	18.0	3	1	25 ³ / ₈ (644.5)	81 (37)	FPS725G5S	M	FPS725G5W	M
	240	24.0	1	3	32 ⁷ / ₈ (835.0)	85 (39)	FPS732R10S	M	FPS732R10W	M
	240	24.0	3	2	32 ⁷ / ₈ (835.0)	85 (39)	FPS732R3S	M	FPS732R3W	M
	480	24.0	1	2	32 ⁷ / ₈ (835.0)	85 (39)	FPS732R11S	M	FPS732R11W	M
	480	24.0	3	1	32 ⁷ / ₈ (835.0)	85 (39)	FPS732R5S	M	FPS732R5W	M
	240	30.0	1	3	40 ³ / ₈ (1025.5)	92 (42)	FPS740G10S	M	FPS740G10W	M
	240	30.0	3	2	40 ³ / ₈ (1025.5)	92 (42)	FPS740G3S	M	FPS740G3W	M
	480	30.0	1	2	40 ³ / ₈ (1025.5)	92 (42)	FPS740G11S	M	FPS740G11W	M
	480	30.0	3	1	40 ³ / ₈ (1025.5)	92 (42)	FPS740G5S	M	FPS740G5W	M
	240	36.0	1	4	47 ⁷ / ₈ (1216.0)	100 (46)	FPS747R10S	M	FPS747R10W	M
	240	36.0	3	2	47 ⁷ / ₈ (1216.0)	100 (46)	FPS747R3S	M	FPS747R3W	M
	480	36.0	1	2	47 ⁷ / ₈ (1216.0)	100 (46)	FPS747R11S	M	FPS747R11W	M
	480	36.0	3	1	47 ⁷ / ₈ (1216.0)	100 (46)	FPS747R5S	M	FPS747R5W	M
	240	50.0	3	4	64 ³ / ₈ (1635.1)	110 (50)	FPS764G3S	M	FPS764G3W	M
	480	50.0	1	3	64 ³ / ₈ (1635.1)	110 (50)	FPS764G11S	M	FPS764G11W	M
	480	50.0	3	2	64 ³ / ₈ (1635.1)	110 (50)	FPS764G5S	M	FPS764G5W	M
	240	60.0	3	4	76 ⁷ / ₈ (1952.4)	118 (54)	FPS776R3S	M	FPS776R3W	M
480	60.0	1	3	76 ⁷ / ₈ (1952.4)	118 (54)	FPS776R11S	M	FPS776R11W	M	
480	60.0	3	2	76 ⁷ / ₈ (1952.4)	118 (54)	FPS776R5S	M	FPS776R5W	M	

• M - Manufacturing lead times

Notes:

- All flange bundles are designed to fit the inside diameter of the equivalent standard schedule pipe
- For ANSI flange dimensions, reference chart on page 241

■ Truck Shipment only

Immersion Heaters

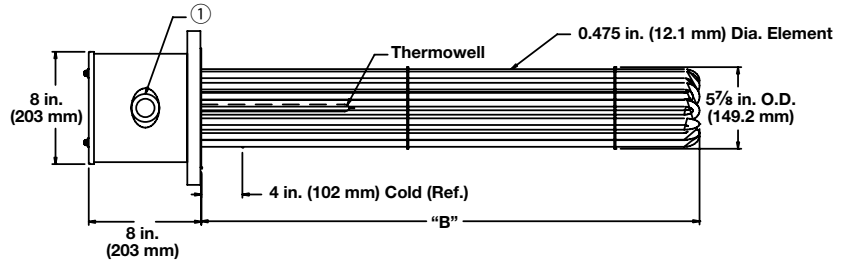
WATROD and FIREBAR ANSI Flange Immersion Heaters



Application: Lightweight Oils and Heat Transfer Oils

- 6 inch - 150 lb ANSI flange
- WATROD elements
- Without thermostat
- General purpose or moisture-resistant enclosures

General Purpose and Moisture Resistant



① The number and size of the conduit opening will comply with the National Electrical Code® standards.

Description	Volts	kW	Ph	# Circ.	"B" Dim. in. (mm)	Ship Wt. lbs (kg)	Part Number		Del.	
							General Purpose Enclosure	Moisture-Resistant Enclosure	Del.	Del.
23 W/in ² Steel Flange 15-Steel Elements (3.6 W/cm ²)	240	15.0	1	3	17 ⁷ / ₈ (454.0)	78 (36)	FPS717R10XS	M	FPS717R10XW	M
	240	15.0	3	1	17 ⁷ / ₈ (454.0)	78 (36)	FPS717R3XS	M	FPS717R3XW	M
	480	15.0	1	1	17 ⁷ / ₈ (454.0)	78 (36)	FPS717R11XS	M	FPS717R11XW	M
	480	15.0	3	1	17 ⁷ / ₈ (454.0)	78 (36)	FPS717R5XS	M	FPS717R5XW	M
	240	23.0	1	3	25 ³ / ₈ (644.5)	85 (39)	FPS725G10XS	M	FPS725G10XW	M
	240	23.0	3	5	25 ³ / ₈ (644.5)	85 (39)	FPS725G3XS	M	FPS725G3XW	M
	480	23.0	1	1	25 ³ / ₈ (644.5)	85 (39)	FPS725G11XS	M	FPS725G11XW	M
	480	23.0	3	1	25 ³ / ₈ (644.5)	85 (39)	FPS725G5XS	M	FPS725G5XW	M
	240	30.0	1	3	32 ⁷ / ₈ (835.0)	90 (41)	FPS732R10XS	M	FPS732R10XW	M
	240	30.0	3	5	32 ⁷ / ₈ (835.0)	90 (41)	FPS732R3XS	M	FPS732R3XW	M
	480	30.0	1	3	32 ⁷ / ₈ (835.0)	90 (41)	FPS732R11XS	M	FPS732R11XW	M
	480	30.0	3	1	32 ⁷ / ₈ (835.0)	90 (41)	FPS732R5XS	M	FPS732R5XW	M
	240	38.0	1	5	40 ³ / ₈ (1025.5)	98 (45)	FPS740G10XS	M	FPS740G10XW	M
	240	38.0	3	5	40 ³ / ₈ (1025.5)	98 (45)	FPS740G3XS	M	FPS740G3XW	M
	480	38.0	1	3	40 ³ / ₈ (1025.5)	98 (45)	FPS740G11XS	M	FPS740G11XW	M
	480	38.0	3	1	40 ³ / ₈ (1025.5)	98 (45)	FPS740G5XS	M	FPS740G5XW	M
	240	45.0	1	5	47 ⁷ / ₈ (1216.0)	108 (49)	FPS747R10XS	M	FPS747R10XW	M
	240	45.0	3	5	47 ⁷ / ₈ (1216.0)	108 (49)	FPS747R3XS	M	FPS747R3XW	M
	480	45.0	1	3	47 ⁷ / ₈ (1216.0)	108 (49)	FPS747R11XS	M	FPS747R11XW	M
	480	45.0	3	5	47 ⁷ / ₈ (1216.0)	108 (49)	FPS747R5XS	M	FPS747R5XW	M
	240	63.0	3	5	64 ³ / ₈ (1635.1)	120 (55)	FPS764G3XS	M	FPS764G3XW	M
	480	63.0	1	3	64 ³ / ₈ (1635.1)	120 (55)	FPS764G11XS	M	FPS764G11XW	M
	480	63.0	3	5	64 ³ / ₈ (1635.1)	120 (55)	FPS764G5XS	M	FPS764G5XW	M
	240	75.0	3	5	76 ⁷ / ₈ (1952.4)	131 (60)	FPS776R3XS	M	FPS776R3XW	M
480	75.0	1	5	76 ⁷ / ₈ (1952.4)	131 (60)	FPS776R11XS	M	FPS776R11XW	M	
480	75.0	3	5	76 ⁷ / ₈ (1952.4)	131 (60)	FPS776R5XS	M	FPS776R5XW	M	

• M - Manufacturing lead times

Notes:

- All flange bundles are designed to fit the inside diameter of the equivalent standard schedule pipe
- For ANSI flange dimensions, reference chart on page 241
- Truck Shipment only

Immersion Heaters

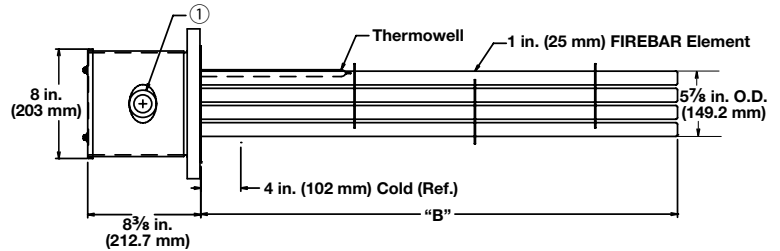
WATROD and FIREBAR ANSI Flange Immersion Heaters



Application: Lightweight Oils and Heat Transfer Oils

- 6 inch - 150 lb ANSI flange
- FIREBAR elements
- Without thermostat
- General purpose or moisture-resistant enclosures

General Purpose and Moisture Resistant



① The number and size of the conduit opening will comply with the National Electrical Code® standards.

Description	Volts	kW	Ph	# Circ.	"B" Dim. in. (mm)	Ship Wt. lbs (kg)	Part Number	Del.	Part Number	Del.
30 W/in ² ③ 304 SS Flange 15-Alloy 800 Elements (4.7 W/cm ²)	240	25.0	3	5	16 ¹ / ₂ (419)	81 (37)	FPNF16J12S	M	FPNF16J12W	M
	480	25.0	3	5	16 ¹ / ₂ (419)	81 (37)	FPNF16J13S	M	FPNF16J13W	M
	240	32.0	3	5	19 ¹ / ₂ (495)	84 (38)	FPNF19J12S	M	FPNF19J12W	M
	480	32.0	3	5	19 ¹ / ₂ (495)	84 (38)	FPNF19J13S	M	FPNF19J13W	M
	240	42.0	3	5	24 ¹ / ₂ (622)	87 (40)	FPNF24J12S	M	FPNF24J12W	M
	480	42.0	3	5	24 ¹ / ₂ (622)	87 (40)	FPNF24J13S	M	FPNF24J13W	M
	240	52.0	3	5	30 (762)	91 (42)	FPNF30A12S	M	FPNF30A12W	M
	480	52.0	3	5	30 (762)	91 (42)	FPNF30A13S	M	FPNF30A13W	M
	240	64.0	3	5	35 (889)	95 (43)	FPNF35A12S	M	FPNF35A12W	M
	480	64.0	3	5	35 (889)	95 (43)	FPNF35A13S	M	FPNF35A13W	M
	240	85.0	3	5	45 ¹ / ₂ (1156)	106 (48)	FPNF45J12S	M	FPNF45J12W	M
	480	85.0	3	5	45 ¹ / ₂ (1156)	106 (48)	FPNF45J13S	M	FPNF45J13W	M
	480	110.0	3	5	56 (1422)	116 (53)	FPNF56A13S	M	FPNF56A13W	M
23 W/in ² 304 SS Flange 15-Alloy 800 Elements (3.6 W/cm ²)	240	19.0	3	5	16 ¹ / ₂ (419)	81 (37)	FPNF16J20S	M	FPNF16J20W	M
	240	24.0	3	5	19 ¹ / ₂ (495)	84 (38)	FPNF19J20S	M	FPNF19J20W	M
	240	32.0	3	5	24 ¹ / ₂ (622)	87 (40)	FPNF24J20S	M	FPNF24J20W	M
	480	32.0	3	5	24 ¹ / ₂ (622)	87 (40)	FPNF24J19S	M	FPNF24J19W	M
	240	40.0	3	5	30 (762)	91 (42)	FPNF30A20S	M	FPNF30A20W	M
	480	40.0	3	5	30 (762)	91 (42)	FPNF30A19S	M	FPNF30A19W	M
	240	48.0	3	5	35 (889)	95 (43)	FPNF35A20S	M	FPNF35A20W	M
	480	48.0	3	5	35 (889)	95 (43)	FPNF35A19S	M	FPNF35A19W	M
	240	64.0	3	5	45 ¹ / ₂ (1156)	106 (48)	FPNF45J20S	M	FPNF45J20W	M
	480	64.0	3	5	45 ¹ / ₂ (1156)	106 (48)	FPNF45J19S	M	FPNF45J19W	M
	240	80.0	3	5	56 (1422)	116 (53)	FPNF56A20S	M	FPNF56A20W	M
	480	80.0	3	5	56 (1422)	116 (53)	FPNF56A19S	M	FPNF56A19W	M

• M - Manufacturing lead times

Notes:

- All flange bundles are designed to fit the inside diameter of the equivalent standard schedule pipe
- For ANSI flange dimensions, reference chart on page 241

③ Wired for 3-phase operation only

■ Truck Shipment only

Immersion Heaters

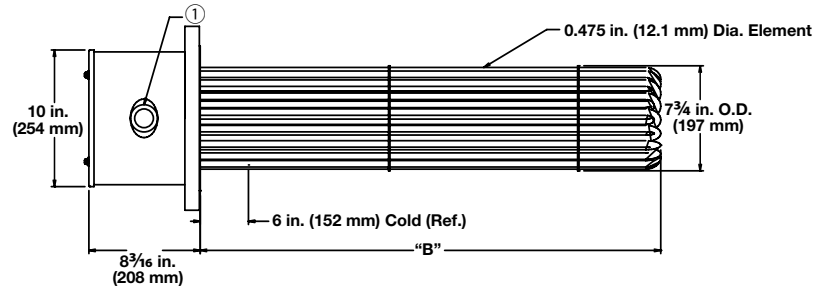
WATROD and FIREBAR ANSI Flange Immersion Heaters



Application: Lightweight Oils and Heat Transfer Oils

- 8 inch - 150 lb ANSI flange
- WATROD elements
- Without thermostat
- General purpose or moisture-resistant enclosures

General Purpose and Moisture Resistant



① The number and size of the conduit opening will comply with the National Electrical Code® standards.

Description	Volts	kW	Ph	# Circ.	"B" Dim. in. (mm)	Ship Wt. lbs (kg)	General Purpose Enclosure		Moisture-Resistant Enclosure	
							Part Number	Del.	Part Number	Del.
23 W/in ² Steel Flange 18-Steel Elements (3.6 W/cm ²)	240	30.0	1	3	32 ³ / ₄ (832.0)	130 (59)	FRS732N10S	M	FRS732N10W	M
	240	30.0	3	2	32 ³ / ₄ (832.0)	130 (59)	FRS732N3S	M	FRS732N3W	M
	480	30.0	1	2	32 ³ / ₄ (832.0)	130 (59)	FRS732N11S	M	FRS732N11W	M
	480	30.0	3	1	32 ³ / ₄ (832.0)	130 (59)	FRS732N5S	M	FRS732N5W	M
	240	40.0	3	3	43 ¹ / ₄ (1099.0)	132 (60)	FRS743E3S	M	FRS743E3W	M
	480	40.0	1	2	43 ¹ / ₄ (1099.0)	132 (60)	FRS743E11S	M	FRS743E11W	M
	480	40.0	3	2	43 ¹ / ₄ (1099.0)	132 (60)	FRS743E5S	M	FRS743E5W	M
	240	50.0	3	3	51 ¹¹ / ₁₆ (1312.9)	137 (63)	FRS751M3S	M	FRS751M3W	M
	480	50.0	1	3	51 ¹¹ / ₁₆ (1312.9)	137 (63)	FRS751M11S	M	FRS751M11W	M
	480	50.0	3	2	51 ¹¹ / ₁₆ (1312.9)	137 (63)	FRS751M5S	M	FRS751M5W	M
	240	60.0	3	6	62 ³ / ₁₆ (1579.6)	154 (70)	FRS762D3S	M	FRS762D3W	M
	480	60.0	1	3	62 ³ / ₁₆ (1579.6)	154 (70)	FRS762D11S	M	FRS762D11W	M
	480	60.0	3	2	62 ³ / ₁₆ (1579.6)	154 (70)	FRS762D5S	M	FRS762D5W	M
	240	70.0	3	6	70 ¹¹ / ₁₆ (1795.5)	160 (73)	FRS770M3S	M	FRS770M3W	M
	480	70.0	1	6	70 ¹¹ / ₁₆ (1795.5)	160 (73)	FRS770M11S	M	FRS770M11W	M
	480	70.0	3	2	70 ¹¹ / ₁₆ (1795.5)	160 (73)	FRS770M5S	M	FRS770M5W	M
240	80.0	3	6	79 ¹¹ / ₁₆ (2024.1)	172 (78)	FRS779M3S	M	FRS779M3W	M	
480	80.0	3	3	79 ¹¹ / ₁₆ (2024.1)	172 (78)	FRS779M5S	M	FRS779M5W	M	
23 W/in ² Steel Flange 24-Steel Elements (3.6 W/cm ²)	240	40.0	1	4	33 ³ / ₁₆ (843.0)	142 (65)	FRS733D10XS	M	FRS733D10XW	M
	240	40.0	3	4	33 ³ / ₁₆ (843.0)	142 (65)	FRS733D3XS	M	FRS733D3XW	M
	480	40.0	1	2	33 ³ / ₁₆ (843.0)	142 (65)	FRS733D11XS	M	FRS733D11XW	M
	480	40.0	3	2	33 ³ / ₁₆ (843.0)	142 (65)	FRS733D5XS	M	FRS733D5XW	M
	240	53.0	3	4	43 ¹¹ / ₁₆ (1109.7)	147 (67)	FRS743M3XS	M	FRS743M3XW	M
	480	53.0	1	3	43 ¹¹ / ₁₆ (1109.7)	147 (67)	FRS743M11XS	M	FRS743M11XW	M
	480	53.0	3	2	43 ¹¹ / ₁₆ (1109.7)	147 (67)	FRS743M5XS	M	FRS743M5XW	M
	240	67.0	3	4	51 ¹¹ / ₁₆ (1312.9)	154 (70)	FRS751M3XS	M	FRS751M3XW	M
	480	67.0	1	3	51 ¹¹ / ₁₆ (1312.9)	154 (70)	FRS751M11XS	M	FRS751M11XW	M
	480	67.0	3	2	51 ¹¹ / ₁₆ (1312.9)	154 (70)	FRS751M5XS	M	FRS751M5XW	M
	240	80.0	3	8	62 ³ / ₁₆ (1579.6)	166 (76)	FRS762D3XS	M	FRS762D3XW	M
	480	80.0	1	4	62 ³ / ₁₆ (1579.6)	166 (76)	FRS762D11XS	M	FRS762D11XW	M
	480	80.0	3	4	62 ³ / ₁₆ (1579.6)	166 (76)	FRS762D5XS	M	FRS762D5XW	M
	240	93.0	3	8	70 ¹¹ / ₁₆ (1795.5)	175 (80)	FRS770M3XS	M	FRS770M3XW	M
	480	93.0	1	6	70 ¹¹ / ₁₆ (1795.5)	175 (80)	FRS770M11XS	M	FRS770M11XW	M
	480	93.0	3	4	70 ¹¹ / ₁₆ (1795.5)	175 (80)	FRS770M5XS	M	FRS770M5XW	M
240	107.0	3	8	79 ¹¹ / ₁₆ (2024.1)	181 (82)	FRS779M3XS	M	FRS779M3XW	M	
480	107.0	3	4	79 ¹¹ / ₁₆ (2024.1)	181 (82)	FRS779M5XS	M	FRS779M5XW	M	

• M - Manufacturing lead times Truck Shipment only

Notes: • All flange bundles are designed to fit the inside diameter of the equivalent standard schedule pipe

• For ANSI flange dimensions, reference chart on page 241

Immersion Heaters

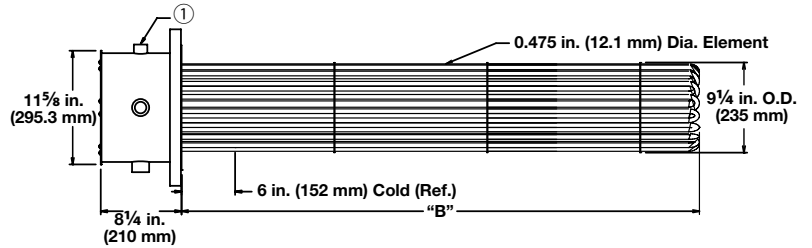
WATROD and FIREBAR ANSI Flange Immersion Heaters



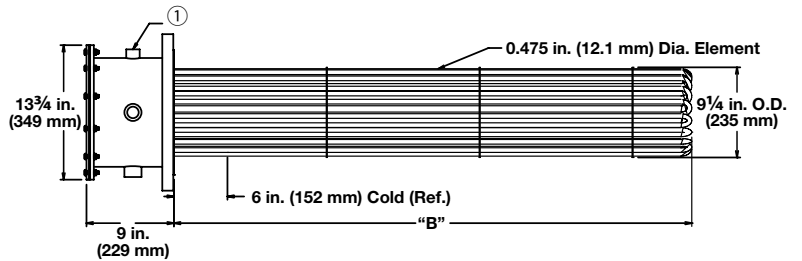
Application: Light Weight Oils and Heat Transfer Oils

- 10 inch - 150 lb ANSI flange
- WATROD elements
- Without thermostat
- General purpose or moisture-resistant enclosures

General Purpose



Moisture Resistant



① The number and size of the conduit opening will comply with the National Electrical Code® standards.

Description	Volts	kW	Ph	# Circ.	"B" Dim. in. (mm)	Ship Wt. lbs (kg)	Part Number	Del.	Part Number	Del.
23 W/in ² Steel Flange 27-Steel Elements (3.6 W/cm ²)	240	45.0	3	3	33 ³ / ₄ (845)	165 (75)	FSS733E3S	M	FSS733E3W	M
	480	45.0	3	3	33 ³ / ₄ (845)	165 (75)	FSS733E5S	M	FSS733E5W	M
	240	60.0	3	3	43 ³ / ₄ (1111)	195 (89)	FSS743N3S	M	FSS743N3W	M
	480	60.0	3	3	43 ³ / ₄ (1111)	195 (89)	FSS743N5S	M	FSS743N5W	M
	240	75.0	3	9	51 ³ / ₄ (1314)	230 (105)	FSS751N3S	M	FSS751N3W	M
	480	75.0	3	3	51 ³ / ₄ (1314)	230 (105)	FSS751N5S	M	FSS751N5W	M
	480	90.0	3	3	62 ¹ / ₄ (1581)	250 (114)	FSS762E5S	M	FSS762E5W	M
	480	105.0	3	3	70 ³ / ₄ (1797)	258 (117)	FSS770N5S	M	FSS770N5W	M
	480	120.0	3	3	78 ³ / ₄ (2000)	265 (121)	FSS778N5S	M	FSS778N5W	M

• M - Manufacturing lead times

- Notes:**
- All flange bundles are designed to fit the inside diameter of the equivalent standard schedule pipe
 - For ANSI flange dimensions, reference chart on page 241
- Truck Shipment only

Immersion Heaters

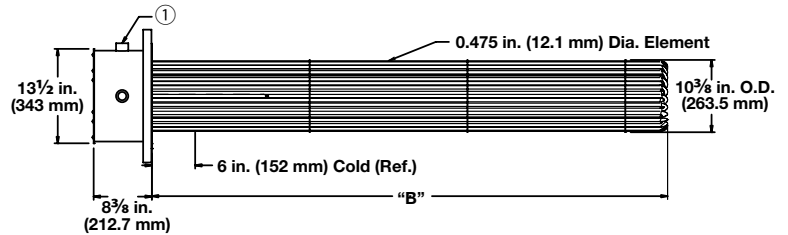
WATROD and FIREBAR ANSI Flange Immersion Heaters



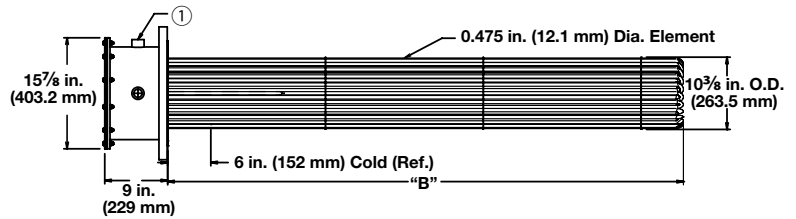
Application: Light Weight Oils and Heat Transfer Oils

- 12 inch - 150 lb ANSI flange
- WATROD elements
- Without thermostat
- General purpose or moisture-resistant enclosures

General Purpose



Moisture Resistant



① The number and size of the conduit opening will comply with the National Electrical Code® standards.

Description	Volts	kW	Ph	# Circ.	"B" Dim. in. (mm)	Ship Wt. lbs (kg)	General Purpose Enclosure		Moisture-Resistant Enclosure	
							Part Number	Del.	Part Number	Del.
23 W/in ² Steel Flange 36-Steel Elements (3.6 W/cm ²)	480	60.0	3	3	33 ¹ / ₈ (841.4)	205 (93)	FTS733C5S	M	FTS733C5W	M
	480	80.0	3	3	43 ⁵ / ₈ (1108.1)	240 (109)	FTS743L5S	M	FTS743L5W	M
	480	100.0	3	3	51 ⁵ / ₈ (1311.3)	280 (127)	FTS751L5S	M	FTS751L5W	M
	480	120.0	3	3	62 ¹ / ₈ (1578.0)	285 (130)	FTS762C5S	M	FTS762C5W	M
	480	140.0	3	4	70 ⁵ / ₈ (1793.9)	290 (132)	FTS770L5S	M	FTS770L5W	M
	480	160.0	3	4	78 ⁵ / ₈ (1997.1)	300 (136)	FTS778L5S	M	FTS778L5W	M

• M - Manufacturing lead times

Notes:

- All flange bundles are designed to fit the inside diameter of the equivalent standard schedule pipe
- For ANSI flange dimensions, reference chart on page 241

■ Truck Shipment only

Immersion Heaters

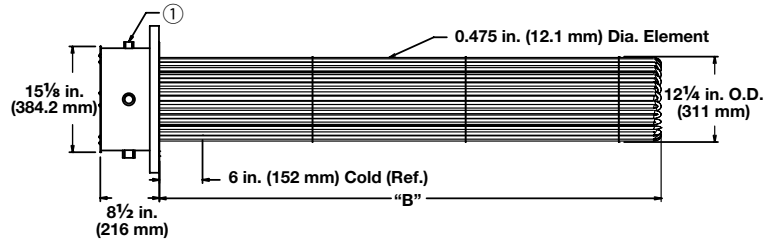
WATROD and FIREBAR ANSI Flange Immersion Heaters



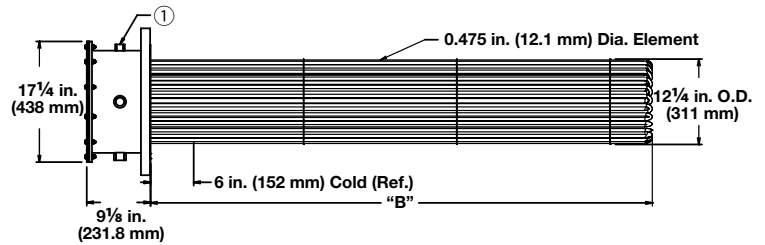
Application: Light Weight Oils and Heat Transfer Oils

- 14 inch - 150 lb ANSI flange
- WATROD elements
- Without thermostat
- General purpose or moisture-resistant enclosures

General Purpose



Moisture Resistant



① The number and size of the conduit opening will comply with the National Electrical Code® standards.

Description	Volts	kW	Ph	# Circ.	"B" Dim. in. (mm)	Ship Wt. lbs (kg)	Part Number	Del.	Part Number	Del.
23 W/in ² Steel Flange 45-Steel Elements (3.6 W/cm ²)	480	75.0	3	3	33 (838)	225 (102)	FWS733A5S	M	FWS733A5W	M
	480	100.0	3	3	43 1/2 (1105)	255 (116)	FWS743J5S	M	FWS743J5W	M
	480	125.0	3	5	51 1/2 (1308)	300 (136)	FWS751J5S	M	FWS751J5W	M
	480	150.0	3	5	62 (1575)	310 (141)	FWS762A5S	M	FWS762A5W	M
	480	175.0	3	5	70 1/2 (1791)	318 (145)	FWS770J5S	M	FWS770J5W	M
	480	200.0	3	5	78 1/2 (1994)	330 (150)	FWS778J5S	M	FWS778J5W	M

- M - Manufacturing lead times

- Notes:**
- All flange bundles are designed to fit the inside diameter of the equivalent standard schedule pipe
 - For ANSI flange dimensions, reference chart on page 241
 - Truck Shipment only

Immersion Heaters

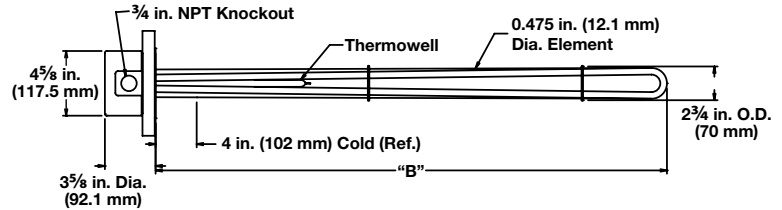
WATROD and FIREBAR ANSI Flange Immersion Heaters



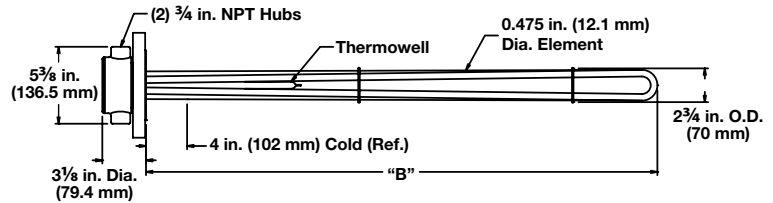
Application: Medium Weight Oils and Heat Transfer Oils

- 3 inch - 150 lb ANSI flange
- WATROD elements
- Without thermostat
- General purpose or moisture-resistant enclosures
- Single circuit

General Purpose



Moisture Resistant



Description	Volts	kW	Ph	"B" Dim. in. (mm)	Ship Wt. lbs (kg)	Part Number	Del.	Part Number	Del.
16 W/in ² ③ Steel Flange 3-Alloy 800 Elements (2.5 W/cm ²)	240	1.5	3	13 1/2 (343)	22 (10)	General Purpose Enclosure FMN713J12S	RS	Moisture-Resistant Enclosure FMN713J12W	RS
	480	1.5	3	13 1/2 (343)	22 (10)	FMN713J13S	RS	FMN713J13W	RS
	240	2.0	3	18 (457)	23 (11)	FMN718A12S	RS	FMN718A12W	RS
	480	2.0	3	18 (457)	23 (11)	FMN718A13S	RS	FMN718A13W	RS
	240	2.5	3	20 1/2 (521)	25 (12)	FMN720J12S	RS	FMN720J12W	RS
	480	2.5	3	20 1/2 (521)	25 (12)	FMN720J13S	RS	FMN720J13W	RS
	240	3.0	3	25 1/2 (648)	27 (13)	FMN725J12S	RS	FMN725J12W	RS
	480	3.0	3	25 1/2 (648)	27 (13)	FMN725J13S	RS	FMN725J13W	RS
	240	4.0	3	33 (838)	28 (13)	FMN733A12S	RS	FMN733A12W	RS
	480	4.0	3	33 (838)	28 (13)	FMN733A13S	RS	FMN733A13W	RS
	240	5.0	3	40 1/2 (1029)	30 (14)	FMN740J12S	RS	FMN740J12W	RS
	480	5.0	3	40 1/2 (1029)	30 (14)	FMN740J13S	RS	FMN740J13W	RS
	240	6.0	3	48 (1219)	32 (15)	FMN748A12S	RS	FMN748A12W	RS
	480	6.0	3	48 (1219)	32 (15)	FMN748A13S	RS	FMN748A13W	RS

RAPID SHIP

- RS - Next day shipment up to 5 pieces

Notes:

- All flange bundles are designed to fit the inside diameter of the equivalent standard schedule pipe
- For ANSI flange dimensions, reference chart on page 241

③ Wired for 3-phase operation only

Immersion Heaters

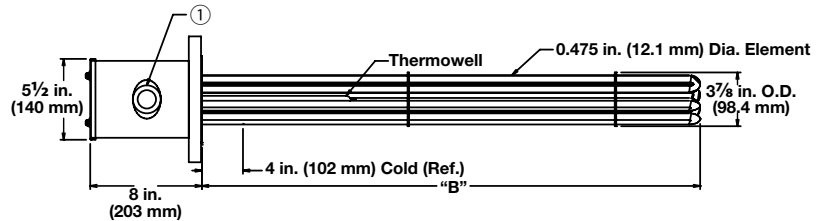
WATROD and FIREBAR ANSI Flange Immersion Heaters



Application: Medium Weight Oils and Heat Transfer Oils

- 4 inch - 150 lb ANSI flange
- WATROD elements
- Without thermostat
- General purpose or moisture-resistant enclosures

General Purpose and Moisture Resistant



① The number and size of the conduit opening will comply with the National Electrical Code® standards.

Description	Volts	kW	Ph	# Circ.	"B" Dim.		Ship Wt.		Part		Part	
					in.	(mm)	lbs	(kg)	Number	Del.	Number	Del.
16 W/in ² ③ Steel Flange 6-Alloy 800 Elements (2.5 W/cm ²)	240	3.0	3	1	13 ¹ / ₂	(343)	29	(14)	General Purpose Enclosure		Moisture-Resistant Enclosure	
	480	3.0	3	1	13 ¹ / ₂	(343)	29	(14)	FON713J12S	RS	FON713J12W	RS
	480	3.0	3	1	13 ¹ / ₂	(343)	29	(14)	FON713J13S	RS	FON713J13W	RS
	240	4.0	3	1	18	(457)	32	(15)	FON718A12S	RS	FON718A12W	RS
	480	4.0	3	1	18	(457)	32	(15)	FON718A13S	RS	FON718A13W	RS
	240	5.0	3	1	20 ¹ / ₂	(521)	34	(16)	FON720J12S	RS	FON720J12W	RS
	480	5.0	3	1	20 ¹ / ₂	(521)	34	(16)	FON720J13S	RS	FON720J13W	RS
	240	6.0	3	1	25 ¹ / ₂	(648)	36	(17)	FON725J12S	RS	FON725J12W	RS
	480	6.0	3	1	25 ¹ / ₂	(648)	36	(17)	FON725J13S	RS	FON725J13W	RS
	240	8.0	3	1	33	(838)	39	(18)	FON733A12S	RS	FON733A12W	RS
	480	8.0	3	1	33	(838)	39	(18)	FON733A13S	RS	FON733A13W	RS
	240	10.0	3	1	40 ¹ / ₂	(1029)	43	(20)	FON740J12S	RS	FON740J12W	RS
	480	10.0	3	1	40 ¹ / ₂	(1029)	43	(20)	FON740J13S	RS	FON740J13W	RS
	240	12.0	3	1	48	(1219)	48	(22)	FON748A12S	RS	FON748A12W	RS
480	12.0	3	1	48	(1219)	48	(22)	FON748A13S	RS	FON748A13W	RS	

RAPID SHIP

- RS - Next day shipment up to 5 pieces

- Notes:**
- All flange bundles are designed to fit the inside diameter of the equivalent standard schedule pipe
 - For ANSI flange dimensions, reference chart on page 241
- ③ Wired for 3-phase operation only

Immersion Heaters

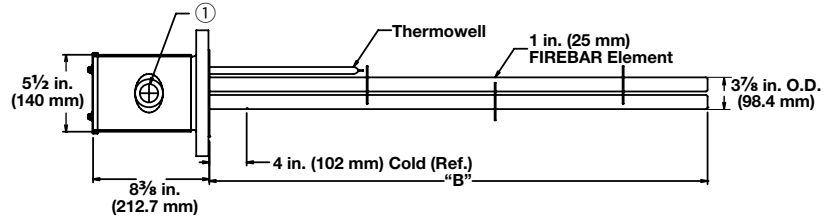
WATROD and FIREBAR ANSI Flange Immersion Heaters



Application: Medium Weight Oils and Heat Transfer Oils

- 4 inch - 150 lb ANSI flange
- FIREBAR elements
- Without thermostat
- General purpose or moisture-resistant enclosures

General Purpose and Moisture Resistant



① The number and size of the conduit opening will comply with the National Electrical Code® standards.

Description	Volts	kW	Ph	# Circ.	"B" Dim. in.	(mm)	Ship Wt. lbs	(kg)	Part Number		Del.	
									General Purpose Enclosure	Moisture-Resistant Enclosure	Del.	Del.
15 W/in ² ③ 304 SS Flange 6-Alloy 800 Elements (2.3 W/cm ²)	240	4.0	3	1	13 ³ / ₈	(339.7)	32	(15)	FONF13G29S	RS	FONF13G29W	RS
	240	5.0	3	1	16	(406.0)	35	(16)	FONF16A29S	RS	FONF16A29W	RS
	240	6.0	3	1	18 ³ / ₈	(466.7)	38	(17)	FONF18G29S	RS	FONF18G29W	RS
	240	8.0	3	1	22 ⁷ / ₈	(581.0)	41	(19)	FONF22R29S	RS	FONF22R29W	RS
	480	8.0	3	1	22 ⁷ / ₈	(581.0)	41	(19)	FONF22R30S	RS	FONF22R30W	RS
	240	10.0	3	1	27 ⁷ / ₈	(708.0)	44	(20)	FONF27R29S	RS	FONF27R29W	RS
	480	10.0	3	1	27 ⁷ / ₈	(708.0)	44	(20)	FONF27R30S	RS	FONF27R30W	RS
	240	12.0	3	1	32 ⁷ / ₈	(835.0)	46	(21)	FONF32R29S	RS	FONF32R29W	RS
	480	12.0	3	1	32 ⁷ / ₈	(835.0)	46	(21)	FONF32R30S	RS	FONF32R30W	RS
	240	16.0	3	1	42 ³ / ₈	(1076.3)	50	(23)	FONF42G29S	RS	FONF42G29W	RS
	480	16.0	3	1	42 ³ / ₈	(1076.3)	50	(23)	FONF42G30S	RS	FONF42G30W	RS
	240	20.0	3	1	51 ⁷ / ₈	(1317.6)	54	(25)	FONF51R29S	RS	FONF51R29W	RS
	480	20.0	3	1	51 ⁷ / ₈	(1317.6)	54	(25)	FONF51R30S	RS	FONF51R30W	RS

RAPID SHIP

- RS - Next day shipment up to 5 pieces

Notes:

- All flange bundles are designed to fit the inside diameter of the equivalent standard schedule pipe
- For ANSI flange dimensions, reference chart on page 241

③ Wired for 3-phase operation only

Immersion Heaters

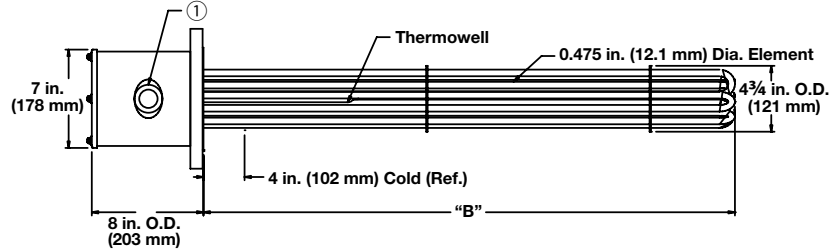
WATROD and FIREBAR ANSI Flange Immersion Heaters



Application: Medium Weight Oils and Heat Transfer Oils

- 5 inch - 150 lb ANSI flange
- WATROD elements
- Without thermostat
- General purpose or moisture-resistant enclosures

General Purpose and Moisture Resistant



① The number and size of the conduit opening will comply with the National Electrical Code® standards.

Description	Volts	kW	Ph	# Circ.	"B" Dim. in.	(mm)	Ship Wt.		Part Number	Del.	Part Number		Del.
							lbs	(kg)			General Purpose Enclosure	Moisture-Resistant Enclosure	
16 W/in ² ③ Steel Flange 6-Alloy 800 Elements (2.5 W/cm ²)	240	3.0	3	1	13 1/2	(343)	36	(17)	FNN713J12S	RS	FNN713J12W	RS	
	480	3.0	3	1	13 1/2	(343)	36	(17)	FNN713J13S	RS	FNN713J13W	RS	
	240	4.0	3	1	18	(457)	40	(19)	FNN718A12S	RS	FNN718A12W	RS	
	480	4.0	3	1	18	(457)	40	(19)	FNN718A13S	RS	FNN718A13W	RS	
	240	5.0	3	1	20 1/2	(521)	43	(20)	FNN720J12S	RS	FNN720J12W	RS	
	480	5.0	3	1	20 1/2	(521)	43	(20)	FNN720J13S	RS	FNN720J13W	RS	
	240	6.0	3	1	25 1/2	(648)	47	(22)	FNN725J12S	RS	FNN725J12W	RS	
	480	6.0	3	1	25 1/2	(648)	47	(22)	FNN725J13S	RS	FNN725J13W	RS	
	240	8.0	3	1	33	(838)	52	(24)	FNN733A12S	RS	FNN733A12W	RS	
	480	8.0	3	1	33	(838)	52	(24)	FNN733A13S	RS	FNN733A13W	RS	
	240	10.0	3	1	40 1/2	(1029)	57	(26)	FNN740J12S	RS	FNN740J12W	RS	
	480	10.0	3	1	40 1/2	(1029)	57	(26)	FNN740J13S	RS	FNN740J13W	RS	
	240	12.0	3	1	48	(1219)	65	(30)	FNN748A12S	RS	FNN748A12W	RS	
	480	12.0	3	1	48	(1219)	65	(30)	FNN748A13S	RS	FNN748A13W	RS	
16 W/in ² ③ Steel Flange 9-Alloy 800 Elements (2.5 W/cm ²)	240	4.5	3	1	13 1/2	(343)	39	(18)	FNN713J12XS	RS	FNN713J12XW	RS	
	480	4.5	3	1	13 1/2	(343)	39	(18)	FNN713J13XS	RS	FNN713J13XW	RS	
	240	6.0	3	1	18	(457)	45	(21)	FNN718A12XS	RS	FNN718A12XW	RS	
	480	6.0	3	1	18	(457)	45	(21)	FNN718A13XS	RS	FNN718A13XW	RS	
	240	7.5	3	1	20 1/2	(521)	48	(22)	FNN720J12XS	RS	FNN720J12XW	RS	
	480	7.5	3	1	20 1/2	(521)	48	(22)	FNN720J13XS	RS	FNN720J13XW	RS	
	240	9.0	3	1	25 1/2	(648)	53	(24)	FNN725J12XS	RS	FNN725J12XW	RS	
	480	9.0	3	1	25 1/2	(648)	53	(24)	FNN725J13XS	RS	FNN725J13XW	RS	
	240	12.0	3	1	33	(838)	60	(28)	FNN733A12XS	RS	FNN733A12XW	RS	
	480	12.0	3	1	33	(838)	60	(28)	FNN733A13XS	RS	FNN733A13XW	RS	
	240	15.0	3	1	40 1/2	(1029)	68	(31)	FNN740J12XS	RS	FNN740J12XW	RS	
	480	15.0	3	1	40 1/2	(1029)	68	(31)	FNN740J13XS	RS	FNN740J13XW	RS	
	240	18.0	3	1	48	(1219)	78	(36)	FNN748A12XS	M	FNN748A12XW	M	
	480	18.0	3	1	48	(1219)	78	(36)	FNN748A13XS	M	FNN748A13XW	M	

RAPID SHIP

- RS - Next day shipment up to 5 pieces
- M - Manufacturing lead times

Notes:

- All flange bundles are designed to fit the inside diameter of the equivalent standard schedule pipe
- For ANSI flange dimensions, reference chart on page 241

③ Wired for 3-phase operation only
 Truck Shipment only

Immersion Heaters

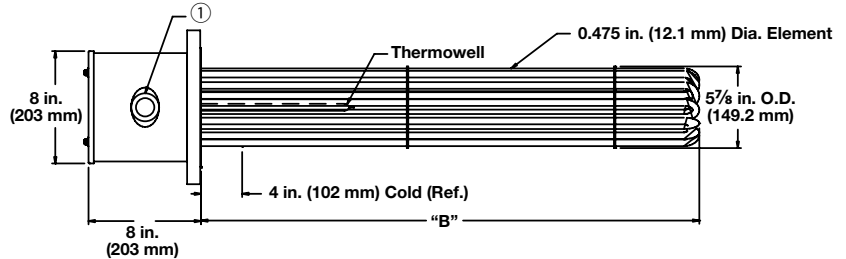
WATROD and FIREBAR ANSI Flange Immersion Heaters



Application: Medium Weight Oils and Heat Transfer Oils

- 6 inch - 150 lb ANSI flange
- WATROD elements
- Without thermostat
- General purpose or moisture-resistant enclosures

General Purpose and Moisture Resistant



① The number and size of the conduit opening will comply with the National Electrical Code® standards.

Description	Volts	kW	Ph	# Circ.	"B" Dim.		Ship Wt.		Part Number		Part Del.	
					in.	(mm)	lbs	(kg)	General Purpose Enclosure	Moisture-Resistant Enclosure	Del.	Del.
16 W/in ² ③ Steel Flange 12-Alloy 800 Elements (2.5 W/cm ²)	240	6.0	3	1	13 ³ / ₈	(339.7)	73	(33)	FPN713G12S	RS	FPN713G12W	RS
	480	6.0	3	1	13 ³ / ₈	(339.7)	73	(33)	FPN713G13S	RS	FPN713G13W	RS
	240	8.0	3	1	17 ⁷ / ₈	(454.0)	75	(34)	FPN717R12S	M	FPN717R12W	M
	480	8.0	3	1	17 ⁷ / ₈	(454.0)	75	(34)	FPN717R13S	M	FPN717R13W	M
	240	10.0	3	1	20 ³ / ₈	(517.5)	78	(36)	FPN720G12S	M	FPN720G12W	M
	480	10.0	3	1	20 ³ / ₈	(517.5)	78	(36)	FPN720G13S	M	FPN720G13W	M
	240	12.0	3	1	25 ³ / ₈	(644.5)	81	(37)	FPN725G12S	M	FPN725G12W	M
	480	12.0	3	1	25 ³ / ₈	(644.5)	81	(37)	FPN725G13S	M	FPN725G13W	M
	240	16.0	3	1	32 ⁷ / ₈	(835.0)	85	(39)	FPN732R12S	M	FPN732R12W	M
	480	16.0	3	1	32 ⁷ / ₈	(835.0)	85	(39)	FPN732R13S	M	FPN732R13W	M
	240	20.0	3	2	40 ³ / ₈	(1025.5)	92	(42)	FPN740G12S	M	FPN740G12W	M
	480	20.0	3	1	40 ³ / ₈	(1025.5)	92	(42)	FPN740G13S	M	FPN740G13W	M
	240	24.0	3	2	47 ⁷ / ₈	(1216.0)	100	(46)	FPN747R12S	M	FPN747R12W	M
	480	24.0	3	1	47 ⁷ / ₈	(1216.0)	100	(46)	FPN747R13S	M	FPN747R13W	M
16 W/in ² ③ Steel Flange 15-Alloy 800 Elements (2.5 W/cm ²)	240	7.5	3	1	13 ³ / ₈	(339.7)	76	(35)	FPN713G12XS	M	FPN713G12XW	M
	480	7.5	3	1	13 ³ / ₈	(339.7)	76	(35)	FPN713G13XS	M	FPN713G13XW	M
	240	10.0	3	1	17 ⁷ / ₈	(454.0)	78	(36)	FPN717R12XS	M	FPN717R12XW	M
	480	10.0	3	1	17 ⁷ / ₈	(454.0)	78	(36)	FPN717R13XS	M	FPN717R13XW	M
	240	12.5	3	1	20 ³ / ₈	(517.5)	82	(38)	FPN720G12XS	M	FPN720G12XW	M
	480	12.5	3	1	20 ³ / ₈	(517.5)	82	(38)	FPN720G13XS	M	FPN720G13XW	M
	240	15.0	3	1	25 ³ / ₈	(644.5)	85	(39)	FPN725G12XS	M	FPN725G12XW	M
	480	15.0	3	1	25 ³ / ₈	(644.5)	85	(39)	FPN725G13XS	M	FPN725G13XW	M
	240	20.0	3	5	32 ⁷ / ₈	(835.0)	90	(41)	FPN732R12XS	M	FPN732R12XW	M
	480	20.0	3	1	32 ⁷ / ₈	(835.0)	90	(41)	FPN732R13XS	M	FPN732R13XW	M
	240	25.0	3	5	40 ³ / ₈	(1025.5)	98	(45)	FPN740G12XS	M	FPN740G12XW	M
	480	25.0	3	1	40 ³ / ₈	(1025.5)	98	(45)	FPN740G13XS	M	FPN740G13XW	M
	240	30.0	3	5	47 ⁷ / ₈	(1216.0)	108	(49)	FPN747R12XS	M	FPN747R12XW	M
	480	30.0	3	1	47 ⁷ / ₈	(1216.0)	108	(49)	FPN747R13XS	M	FPN747R13XW	M

RAPID SHIP

- RS - Next day shipment up to 2 pieces
- M - Manufacturing lead times

Notes: • All flange bundles are designed to fit the inside diameter of the equivalent standard schedule pipe
• For ANSI flange dimensions, reference chart on page 241

③ Wired for 3-phase operation only
■ Truck Shipment only

Immersion Heaters

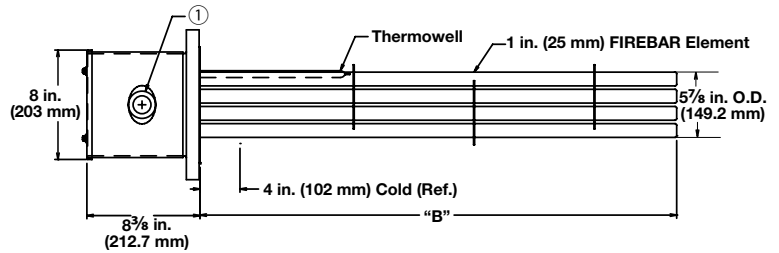
WATROD and FIREBAR ANSI Flange Immersion Heaters



Application: Medium Weight Oils and Heat Transfer Oils

- 6 inch - 150 lb ANSI flange
- FIREBAR elements
- Without thermostat
- General purpose or moisture-resistant enclosures

General Purpose and Moisture Resistant



① The number and size of the conduit opening will comply with the National Electrical Code® standards.

Description	Volts	kW	Ph	# Circ.	"B" Dim. in. (mm)	Ship Wt. lbs (kg)	Part Number	Del.	Part Number	Del.
15 W/in ² ③ 304 SS Flange 15-Alloy 800 Elements (2.3 W/cm ²)	240	10.0	3	5	13 ³ / ₈ (339.7)	78 (36)	FPNF13G29S	M	FPNF13G29W	M
	240	12.5	3	5	16 (406.0)	81 (37)	FPNF16A29S	M	FPNF16A29W	M
	240	15.0	3	5	18 ³ / ₈ (466.7)	84 (38)	FPNF18G29S	M	FPNF18G29W	M
	240	20.0	3	5	22 ⁷ / ₈ (581.0)	87 (40)	FPNF22R29S	M	FPNF22R29W	M
	480	20.0	3	5	22 ⁷ / ₈ (581.0)	87 (40)	FPNF22R30S	M	FPNF22R30W	M
	240	25.0	3	5	27 ⁷ / ₈ (708.0)	91 (42)	FPNF27R29S	M	FPNF27R29W	M
	480	25.0	3	5	27 ⁷ / ₈ (708.0)	91 (42)	FPNF27R30S	M	FPNF27R30W	M
	240	30.0	3	5	32 ⁷ / ₈ (835.0)	95 (43)	FPNF32R29S	M	FPNF32R29W	M
	480	30.0	3	5	32 ⁷ / ₈ (835.0)	95 (43)	FPNF32R30S	M	FPNF32R30W	M
	240	40.0	3	5	42 ³ / ₈ (1076.3)	106 (48)	FPNF42G29S	M	FPNF42G29W	M
	480	40.0	3	5	42 ³ / ₈ (1076.3)	106 (48)	FPNF42G30S	M	FPNF42G30W	M
	240	50.0	3	5	51 ⁷ / ₈ (1317.6)	116 (53)	FPNF51R29S	M	FPNF51R29W	M
	480	50.0	3	5	51 ⁷ / ₈ (1317.6)	116 (53)	FPNF51R30S	M	FPNF51R30W	M

• M - Manufacturing lead times

Notes: • All flange bundles are designed to fit the inside diameter of the equivalent standard schedule pipe
• For ANSI flange dimensions, reference chart on page 241

③ Wired for 3-phase operation only

■ Truck Shipment only

Immersion Heaters

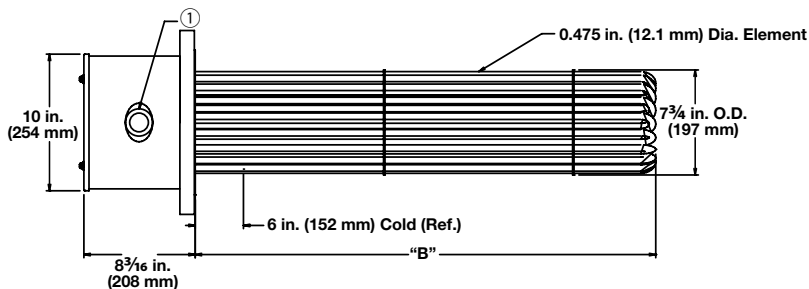
WATROD and FIREBAR ANSI Flange Immersion Heaters



Application: Medium Weight Oils and Heat Transfer Oils

- 8 inch - 150 lb ANSI flange
- WATROD elements
- Without thermostat
- General purpose or moisture-resistant enclosures

General Purpose and Moisture Resistant



① The number and size of the conduit opening will comply with the National Electrical Code® standards.

Description	Volts	kW	Ph	# Circ.	"B" Dim. in. (mm)	Ship Wt. lbs (kg)	Part Number		Part Number	
							Del.	Del.	Del.	Del.
16 W/in² ③ Steel Flange 18-Alloy 800 Elements (2.5 W/cm²)	240	17.0	3	1	25% (654.0)	121 (55)	FRN725N12S	M	FRN725N12W	M
	480	17.0	3	1	25% (654.0)	121 (55)	FRN725N13S	M	FRN725N13W	M
	240	25.0	3	2	35% (908.0)	130 (59)	FRN735N12S	M	FRN735N12W	M
	480	25.0	3	1	35% (908.0)	130 (59)	FRN735N13S	M	FRN735N13W	M
	240	33.0	3	2	44% (1124.0)	132 (60)	FRN744E12S	M	FRN744E12W	M
	480	33.0	3	1	44% (1124.0)	132 (60)	FRN744E13S	M	FRN744E13W	M
	240	42.0	3	3	54 ¹¹ / ₁₆ (1389.1)	140 (64)	FRN754M12S	M	FRN754M12W	M
	480	42.0	3	2	54 ¹¹ / ₁₆ (1389.1)	140 (64)	FRN754M13S	M	FRN754M13W	M
	480	50.0	3	2	63 ¹¹ / ₁₆ (1617.6)	145 (66)	FRN763M13S	M	FRN763M13W	M
	480	58.0	3	2	73 ³ / ₁₆ (1859.0)	151 (69)	FRN773D13S	M	FRN773D13W	M
16 W/in² ③ Steel Flange 24-Alloy 800 Elements (2.5 W/cm²)	480	67.0	3	2	82 ¹¹ / ₁₆ (2100.3)	157 (72)	FRN782M13S	M	FRN782M13W	M
	240	23.0	3	2	26 ³ / ₁₆ (665.2)	129 (59)	FRN726D12XS	M	FRN726D12XW	M
	480	23.0	3	1	26 ³ / ₁₆ (665.2)	129 (59)	FRN726D13XS	M	FRN726D13XW	M
	240	33.0	3	2	36 ³ / ₁₆ (919.2)	142 (65)	FRN736D12XS	M	FRN736D12XW	M
	480	33.0	3	1	36 ³ / ₁₆ (919.2)	142 (65)	FRN736D13XS	M	FRN736D13XW	M
	240	44.0	3	4	44 ¹¹ / ₁₆ (1135.1)	147 (67)	FRN744M12XS	M	FRN744M12XW	M
	480	44.0	3	2	44 ¹¹ / ₁₆ (1135.1)	147 (67)	FRN744M13XS	M	FRN744M13XW	M
	240	56.0	3	4	54 ¹¹ / ₁₆ (1389.1)	158 (72)	FRN754M12XS	M	FRN754M12XW	M
	480	56.0	3	2	54 ¹¹ / ₁₆ (1389.1)	158 (72)	FRN754M13XS	M	FRN754M13XW	M
	480	67.0	3	2	63 ¹¹ / ₁₆ (1617.6)	166 (76)	FRN763M13XS	M	FRN763M13XW	M
480	77.0	3	2	73 ³ / ₁₆ (1859.0)	175 (80)	FRN773D13XS	M	FRN773D13XW	M	
480	89.0	3	4	82 ¹¹ / ₁₆ (2100.3)	184 (84)	FRN782M13XS	M	FRN782M13XW	M	

• M - Manufacturing lead times

Notes:

- All flange bundles are designed to fit the inside diameter of the equivalent standard schedule pipe
- For ANSI flange dimensions, reference chart on page 241

③ Wired for 3-phase operation only
 Truck Shipment only

Immersion Heaters

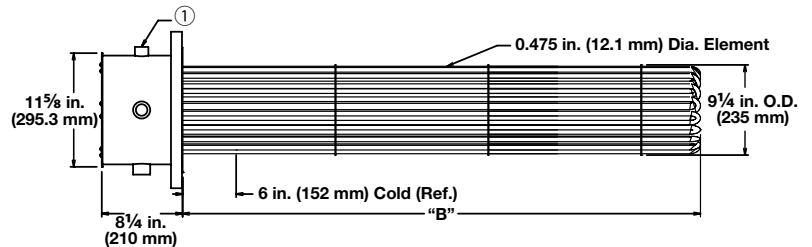
WATROD and FIREBAR ANSI Flange Immersion Heaters



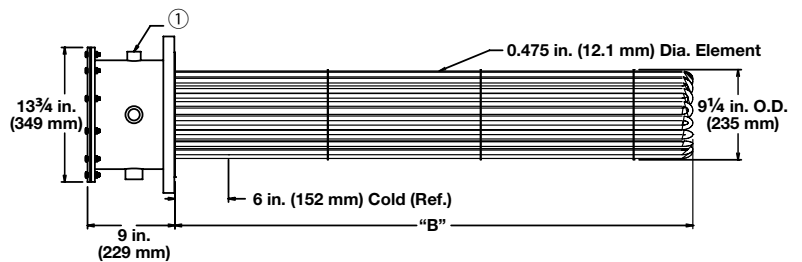
Application: Medium Weight Oils and Heat Transfer Oils

- 10 inch - 150 lb ANSI flange
- WATROD elements
- Without thermostat
- General purpose or moisture-resistant enclosures

General Purpose



Moisture Resistant



① The number and size of the conduit opening will comply with the National Electrical Code® standards.

Description	Volts	kW	Ph	# Circ.	"B" Dim. in. (mm)	Ship Wt. lbs (kg)	Part Number	Del.	Part Number	Del.
16 W/in ² ③ Steel Flange 27-Alloy 800 Elements (2.5 W/cm ²)	480	63.0	3	3	54 ³ / ₄ (1391)	240 (109)	General Purpose Enclosure FSN754N13S	M	Moisture-Resistant Enclosure FSN754N13W	M
	480	75.0	3	3	63 ³ / ₄ (1619)	250 (114)	FSN763N13S	M	FSN763N13W	M
	480	87.0	3	3	73 ¹ / ₄ (1861)	260 (118)	FSN773E13S	M	FSN773E13W	M

- M - Manufacturing lead times

Notes:

- All flange bundles are designed to fit the inside diameter of the equivalent standard schedule pipe
- For ANSI flange dimensions, reference chart on page 241

③ Wired for 3-phase operation only

■ Truck Shipment only

Immersion Heaters

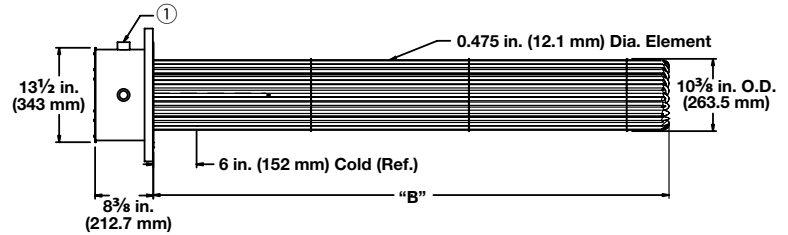
WATROD and FIREBAR ANSI Flange Immersion Heaters



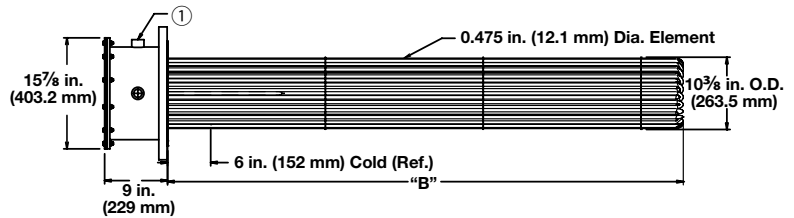
Application: Medium Weight Oils and Heat Transfer Oils

- 12 inch - 150 lb ANSI flange
- WATROD elements
- Without thermostat
- General purpose or moisture-resistant enclosures

General Purpose



Moisture Resistant



① The number and size of the conduit opening will comply with the National Electrical Code® standards.

Description	Volts	kW	Ph	# Circ.	"B" Dim. in. (mm)	Ship Wt. lbs (kg)	Part Number	Del.	Part Number	Del.
16 W/in ² ③ Steel Flange 36-Alloy 800 Elements (2.5 W/cm ²)	480	83.0	3	3	54 ⁵ / ₈ (1387.5)	280 (127)	FTN754L13S	M	FTN754L13W	M
	480	117.0	3	3	73 ¹ / ₈ (1857.4)	291 (132)	FTN773C13S	M	FTN773C13W	M

- M - Manufacturing lead times

Notes:

- All flange bundles are designed to fit the inside diameter of the equivalent standard schedule pipe
- For ANSI flange dimensions, reference chart on page 241

③ Wired for 3-phase operation only

■ Truck Shipment only

Immersion Heaters

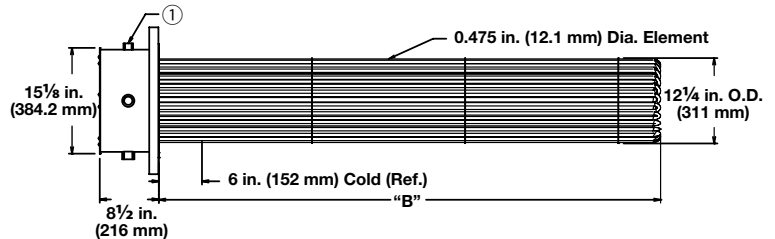
WATROD and FIREBAR ANSI Flange Immersion Heaters



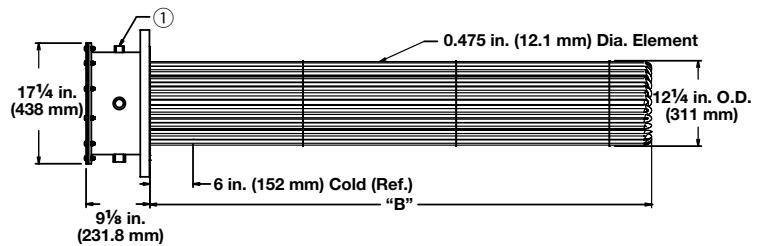
Application: Medium Weight Oils and Heat Transfer Oils

- 14 inch - 150 lb ANSI flange
- WATROD elements
- Without thermostat
- General purpose or moisture-resistant enclosures

General Purpose



Moisture Resistant



① The number and size of the conduit opening will comply with the National Electrical Code® standards.

Description	Volts	kW	Ph	# Circ.	"B" Dim. in. (mm)	Ship Wt. lbs (kg)	Part Number	Del.	Part Number	Del.
							General Purpose Enclosure		Moisture-Resistant Enclosure	
16 Win ² ③ Steel Flange 45-Alloy 800 Elements (2.5 W/cm ²)	480	105.0	3	3	54 1/2 (1384)	300 (136)	FWN754J13S	M	FWN754J13W	M
	480	125.0	3	5	63 1/2 (1613)	310 (141)	FWN763J13S	M	FWN763J13W	M

- M - Manufacturing lead times

Notes:

- All flange bundles are designed to fit the inside diameter of the equivalent standard schedule pipe
- For ANSI flange dimensions, reference chart on page 241

③ Wired for 3-phase operation only

■ Truck Shipment only

Immersion Heaters

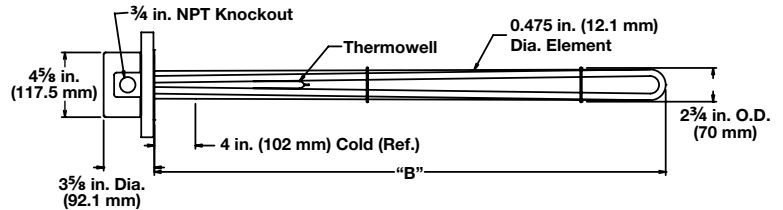
WATROD and FIREBAR ANSI Flange Immersion Heaters



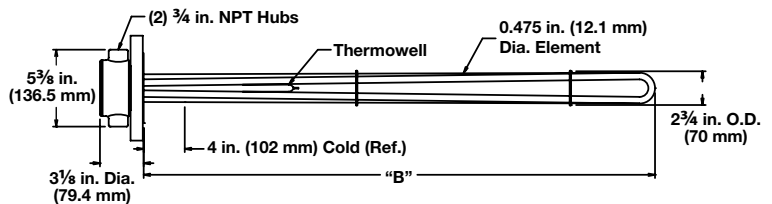
Application: Bunker C, Asphalt and #6 Fuel Oil

- 3 inch - 150 lb ANSI flange
- WATROD elements
- Without thermostat
- General purpose or moisture-resistant enclosures
- Single circuit

General Purpose



Moisture Resistant



Description	Volts	kW	Ph	"B" Dim.		Ship Wt.		General Purpose Enclosure		Moisture-Resistant Enclosure	
				in.	(mm)	lbs	(kg)	Part Number	Del.	Part Number	Del.
8 W/in ² ③ Steel Flange 3-Steel Elements (1.3 W/cm ²)	240	2.0	3	33	(838)	28	(13)	FMS733A12S	RS	FMS733A12W	RS
	480	2.0	3	33	(838)	28	(13)	FMS733A13S	RS	FMS733A13W	RS
	240	3.0	3	48	(1219)	32	(15)	FMS748A12S	RS	FMS748A12W	RS
	480	3.0	3	48	(1219)	32	(15)	FMS748A13S	RS	FMS748A13W	RS
	240	4.0	3	64 ^{1/2}	(1638)	37	(17)	FMS764J12S	RS	FMS764J12W	RS
	480	4.0	3	64 ^{1/2}	(1638)	37	(17)	FMS764J13S	RS	FMS764J13W	RS
	240	5.0	3	77	(1956)	42	(19)	FMS777A12S	RS	FMS777A12W	RS
	480	5.0	3	77	(1956)	42	(19)	FMS777A13S	RS	FMS777A13W	RS

RAPID SHIP

- RS - Next day shipment up to 5 pieces

Notes:

- All flange bundles are designed to fit the inside diameter of the equivalent standard schedule pipe
- For ANSI flange dimensions, reference chart on page 241

③ Wired for 3-phase operation only

Immersion Heaters

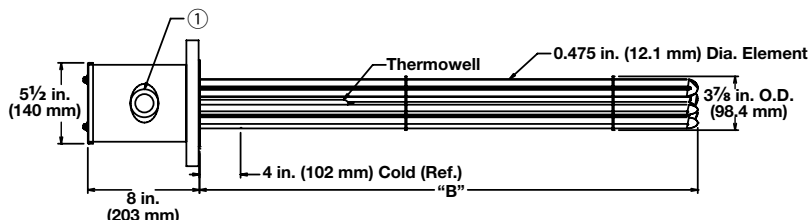
WATROD and FIREBAR ANSI Flange Immersion Heaters



Application: Bunker C, Asphalt and #6 Fuel Oil

- 4 inch - 150 lb ANSI flange
- WATROD elements
- Without thermostat
- General purpose or moisture-resistant enclosures

General Purpose and Moisture Resistant



① The number and size of the conduit opening will comply with the National Electrical Code® standards.

Description	Volts	kW	Ph	# Circ.	"B" Dim. in. (mm)	Ship Wt. lbs (kg)	Part Number		Del.	
							General Purpose Enclosure	Moisture-Resistant Enclosure		
8 W/in ² ③ Steel Flange 6-Steel Elements (1.3 W/cm ²)	240	5.0	3	1	40 ^{1/2} (1029)	43 (20)	FOS740J12S	RS	FOS740J12W	RS
	480	5.0	3	1	40 ^{1/2} (1029)	43 (20)	FOS740J13S	RS	FOS740J13W	RS
	240	6.0	3	1	48 (1219)	48 (22)	FOS748A12S	RS	FOS748A12W	RS
	480	6.0	3	1	48 (1219)	48 (22)	FOS748A13S	RS	FOS748A13W	RS
	240	8.0	3	1	64 ^{1/2} (1638)	53 (24)	FOS764J12S	RS	FOS764J12W	RS
	480	8.0	3	1	64 ^{1/2} (1638)	53 (24)	FOS764J13S	RS	FOS764J13W	RS
	240	10.0	3	1	77 (1956)	61 (28)	FOS777A12S	RS	FOS777A12W	RS
	480	10.0	3	1	77 (1956)	61 (28)	FOS777A13S	RS	FOS777A13W	RS

RAPID SHIP

- RS - Next day shipment up to 5 pieces

- Notes:
- All flange bundles are designed to fit the inside diameter of the equivalent standard schedule pipe
 - For ANSI flange dimensions, reference chart on page 241

③ Wired for 3-phase operation only

Immersion Heaters

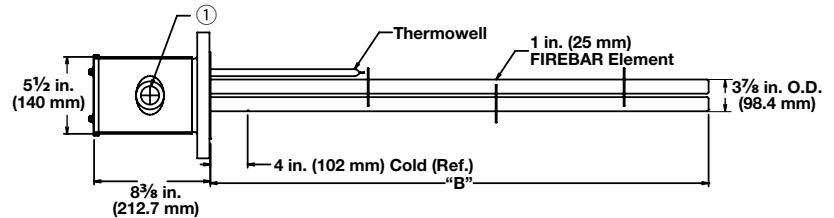
WATROD and FIREBAR ANSI Flange Immersion Heaters



Application: Bunker C, Asphalt and #6 Fuel Oil

- 4 inch - 150 lb ANSI flange
- FIREBAR elements
- Without thermostat
- General purpose or moisture-resistant enclosures

General Purpose and Moisture Resistant



① The number and size of the conduit opening will comply with the National Electrical Code® standards.

Description	Volts	kW	Ph	# Circ.	"B" Dim. in. (mm)	Ship Wt. lbs (kg)	Part Number		Del.	
							General Purpose Enclosure	Moisture-Resistant Enclosure	Del.	Del.
8 W/in ² ③ 304 SS Flange 6-Alloy 800 Elements (1.3 W/cm ²)	240	2.50	3	1	16 ¹ / ₂ (420)	35 (16)	FONF16J22S	RS	FONF16J22W	RS
	240	3.25	3	1	19 ¹ / ₂ (495)	38 (17)	FONF19J22S	RS	FONF19J22W	RS
	240	4.25	3	1	24 ¹ / ₂ (622)	41 (19)	FONF24J22S	RS	FONF24J22W	RS
	480	4.25	3	1	24 ¹ / ₂ (622)	41 (19)	FONF24J21S	RS	FONF24J21W	RS
	240	5.25	3	1	30 (762)	44 (20)	FONF30A22S	RS	FONF30A22W	RS
	480	5.25	3	1	30 (762)	44 (20)	FONF30A21S	RS	FONF30A21W	RS
	240	6.38	3	1	35 (889)	46 (21)	FONF35A22S	RS	FONF35A22W	RS
	480	6.38	3	1	35 (889)	46 (21)	FONF35A21S	RS	FONF35A21W	RS
	240	8.50	3	1	45 ¹ / ₂ (1156)	50 (23)	FONF45J22S	RS	FONF45J22W	RS
	480	8.50	3	1	45 ¹ / ₂ (1156)	50 (23)	FONF45J21S	RS	FONF45J21W	RS
	240	10.75	3	1	56 (1422)	54 (25)	FONF56A22S	RS	FONF56A22W	RS
	480	10.75	3	1	56 (1422)	54 (25)	FONF56A21S	RS	FONF56A21W	RS

RAPID SHIP

- RS - Next day shipment up to 5 pieces

Notes: • All flange bundles are designed to fit the inside diameter of the equivalent standard schedule pipe
• For ANSI flange dimensions, reference chart on page 241

③ Wired for 3-phase operation only

Immersion Heaters

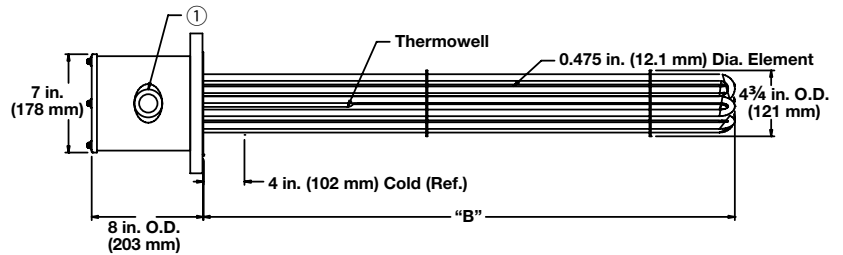
WATROD and FIREBAR ANSI Flange Immersion Heaters



Application: Bunker C, Asphalt and #6 Fuel Oil

- 5 inch - 150 lb ANSI flange
- WATROD elements
- Without thermostat
- General purpose or moisture-resistant enclosures

General Purpose and Moisture Resistant



① The number and size of the conduit opening will comply with the National Electrical Code® standards.

Description	Volts	kW	Ph	# Circ.	"B" Dim. in. (mm)	Ship Wt. lbs (kg)	Part Number		Del.	
							General Purpose Enclosure	Moisture-Resistant Enclosure		
8 W/in ² ③ Steel Flange 6-Steel Elements (1.3 W/cm ²)	240	5.0	3	1	40 ¹ / ₂ (1029)	47 (22)	FNS740J12S	RS	FNS740J12W	RS
	480	5.0	3	1	40 ¹ / ₂ (1029)	47 (22)	FNS740J13S	RS	FNS740J13W	RS
	240	6.0	3	1	48 (1219)	52 (24)	FNS748A12S	RS	FNS748A12W	RS
	480	6.0	3	1	48 (1219)	52 (24)	FNS748A13S	RS	FNS748A13W	RS
	240	8.0	3	1	64 ¹ / ₂ (1638)	57 (26)	FNS764J12S	RS	FNS764J12W	RS
	480	8.0	3	1	64 ¹ / ₂ (1638)	57 (26)	FNS764J13S	RS	FNS764J13W	RS
	240	10.0	3	1	77 (1956)	65 (28)	FNS777A12S	RS	FNS777A12W	RS
	480	10.0	3	1	77 (1956)	65 (28)	FNS777A13S	RS	FNS777A13W	RS
8 W/in ² ③ Steel Flange 9-Steel Elements (1.3 W/cm ²)	240	7.5	3	1	40 ¹ / ₂ (1029)	53 (24)	FNS740J12XS	RS	FNS740J12XW	RS
	480	7.5	3	1	40 ¹ / ₂ (1029)	53 (24)	FNS740J13XS	RS	FNS740J13XW	RS
	240	9.0	3	1	48 (1219)	60 (28)	FNS748A12XS	RS	FNS748A12XW	RS
	480	9.0	3	1	48 (1219)	60 (28)	FNS748A13XS	RS	FNS748A13XW	RS
	240	12.0	3	1	64 ¹ / ₂ (1638)	68 (31)	FNS764J12XS	RS	FNS764J12XW	RS
	480	12.0	3	1	64 ¹ / ₂ (1638)	68 (31)	FNS764J13XS	RS	FNS764J13XW	RS
	240	15.0	3	1	77 (1956)	78 (36)	FNS777A12XS	M	FNS777A12XW	M
	480	15.0	3	1	77 (1956)	78 (36)	FNS777A13XS	M	FNS777A13XW	M

RAPID SHIP

- RS - Next day shipment up to 5 pieces
- M - Manufacturing lead times

Notes: • All flange bundles are designed to fit the inside diameter of the equivalent standard schedule pipe
• For ANSI flange dimensions, reference chart on page 241

③ Wired for 3-phase operation only

■ Truck Shipment only

Immersion Heaters

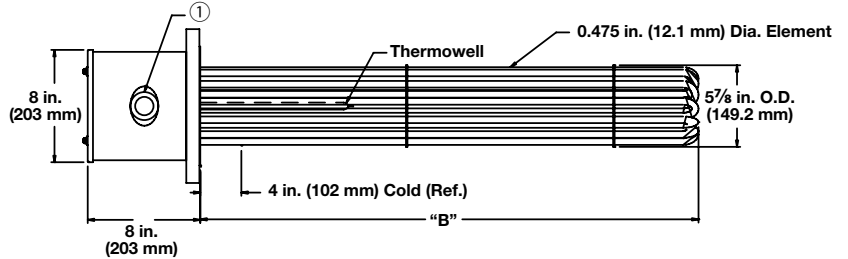
WATROD and FIREBAR ANSI Flange Immersion Heaters



Application: Bunker C, Asphalt and #6 Fuel Oil

- 6 inch - 150 lb ANSI flange
- WATROD elements
- Without thermostat
- General purpose or moisture-resistant enclosures

General Purpose and Moisture Resistant



① The number and size of the conduit opening will comply with the National Electrical Code® standards.

Description	Volts	kW	Ph	# Circ.	"B" Dim. in. (mm)		Ship Wt. lbs (kg)		Part Number		Part Number	
									Del.	Del.	Del.	Del.
8 W/in ² ③ Steel Flange 12-Steel Elements (1.3 W/cm ²)	240	8.0	3	1	32 ⁷ / ₈	(835.0)	85	(39)	General Purpose Enclosure		Moisture-Resistant Enclosure	
	480	8.0	3	1	32 ⁷ / ₈	(835.0)	85	(39)	FPS732R12S	M	FPS732R12W	M
	480	8.0	3	1	32 ⁷ / ₈	(835.0)	85	(39)	FPS732R13S	M	FPS732R13W	M
	240	10.0	3	1	40 ³ / ₈	(1025.5)	92	(42)	FPS740G12S	M	FPS740G12W	M
	480	10.0	3	1	40 ³ / ₈	(1025.5)	92	(42)	FPS740G13S	M	FPS740G13W	M
	240	12.0	3	1	47 ⁷ / ₈	(1216.0)	100	(46)	FPS747R12S	M	FPS747R12W	M
	480	12.0	3	1	47 ⁷ / ₈	(1216.0)	100	(46)	FPS747R13S	M	FPS747R13W	M
	240	16.5	3	1	64 ³ / ₈	(1635.1)	110	(50)	FPS764G12S	M	FPS764G12W	M
	480	16.5	3	1	64 ³ / ₈	(1635.1)	110	(50)	FPS764G13S	M	FPS764G13W	M
	240	20.0	3	2	76 ⁷ / ₈	(1952.4)	118	(54)	FPS776R12S	M	FPS776R12W	M
480	20.0	3	1	76 ⁷ / ₈	(1952.4)	118	(54)	FPS776R13S	M	FPS776R13W	M	
8 W/in ² ③ Steel Flange 15-Steel Elements (1.3 W/cm ²)	240	10.0	3	1	32 ⁷ / ₈	(835.0)	90	(41)	FPS732R12XS	M	FPS732R12XW	M
	480	10.0	3	1	32 ⁷ / ₈	(835.0)	90	(41)	FPS732R13XS	M	FPS732R13XW	M
	240	12.5	3	1	40 ³ / ₈	(1025.5)	98	(45)	FPS740G12XS	M	FPS740G12XW	M
	480	12.5	3	1	40 ³ / ₈	(1025.5)	98	(45)	FPS740G13XS	M	FPS740G13XW	M
	240	15.0	3	1	47 ⁷ / ₈	(1216.0)	108	(49)	FPS747R12XS	M	FPS747R12XW	M
	480	15.0	3	1	47 ⁷ / ₈	(1216.0)	108	(49)	FPS747R13XS	M	FPS747R13XW	M
	240	21.0	3	5	64 ³ / ₈	(1635.1)	120	(55)	FPS764G12XS	M	FPS764G12XW	M
	480	21.0	3	1	64 ³ / ₈	(1635.1)	120	(55)	FPS764G13XS	M	FPS764G13XW	M
	240	25.0	3	5	76 ⁷ / ₈	(1952.4)	131	(60)	FPS776R12XS	M	FPS776R12XW	M
	480	25.0	3	1	76 ⁷ / ₈	(1952.4)	131	(60)	FPS776R13XS	M	FPS776R13XW	M

• M - Manufacturing lead times

Notes: • All flange bundles are designed to fit the inside diameter of the equivalent standard schedule pipe
• For ANSI flange dimensions, reference chart on page 241

③ Wired for 3-phase operation only

■ Truck Shipment only

Immersion Heaters

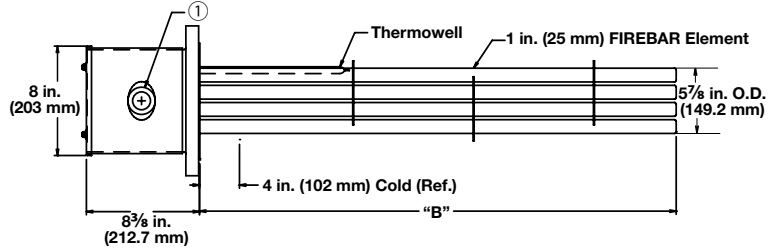
WATROD and FIREBAR ANSI Flange Immersion Heaters



Application: Bunker C, Asphalt and #6 Fuel Oil

- 6 inch - 150 lb ANSI flange
- FIREBAR elements
- Without thermostat
- General purpose or moisture-resistant enclosures

General Purpose and Moisture Resistant



① The number and size of the conduit opening will comply with the National Electrical Code® standards.

Description	Volts	kW	Ph	# Circ.	"B" Dim. in. (mm)	Ship Wt. lbs (kg)	Part Number		Del.	
							General Purpose Enclosure	Moisture-Resistant Enclosure		
8 W/in ² ③ 304 SS Flange 15-Alloy 800 Elements (1.3 W/cm ²)	240	6.3	3	5	16 ¹ / ₂ (419)	81 (37)	FPNF16J22S	M	FPNF16J22W	M
	240	8.1	3	5	19 ¹ / ₂ (495)	84 (38)	FPNF19J22S	M	FPNF19J22W	M
	240	10.6	3	5	24 ¹ / ₂ (622)	87 (40)	FPNF24J22S	M	FPNF24J22W	M
	480	10.6	3	5	24 ¹ / ₂ (622)	87 (40)	FPNF24J21S	M	FPNF24J21W	M
	240	13.1	3	5	30 (762)	91 (42)	FPNF30A22S	M	FPNF30A22W	M
	480	13.1	3	5	30 (762)	91 (42)	FPNF30A21S	M	FPNF30A21W	M
	240	16.0	3	5	35 (889)	95 (43)	FPNF35A22S	M	FPNF35A22W	M
	480	16.0	3	5	35 (889)	95 (43)	FPNF35A21S	M	FPNF35A21W	M
	240	21.3	3	5	45 ¹ / ₂ (1156)	106 (48)	FPNF45J22S	M	FPNF45J22W	M
	480	21.3	3	5	45 ¹ / ₂ (1156)	106 (48)	FPNF45J21S	M	FPNF45J21W	M
	240	26.0	3	5	56 (1422)	116 (53)	FPNF56A22S	M	FPNF56A22W	M
	480	26.0	3	5	56 (1422)	116 (53)	FPNF56A21S	M	FPNF56A21W	M

• M - Manufacturing lead times

Notes:

- All flange bundles are designed to fit the inside diameter of the equivalent standard schedule pipe
- For ANSI flange dimensions, reference chart on page 241

③ Wired for 3-phase operation only

■ Truck Shipment only

Immersion Heaters

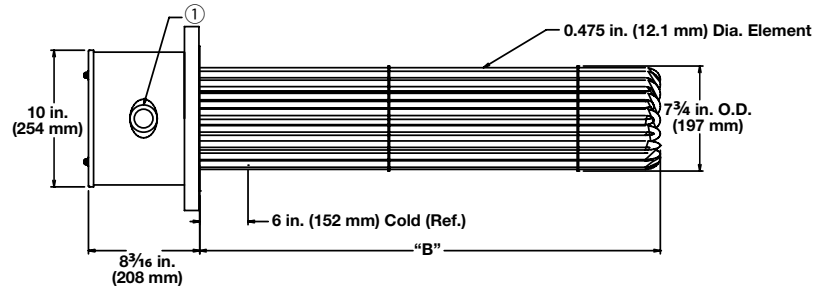
WATROD and FIREBAR ANSI Flange Immersion Heaters



Application: Bunker C, Asphalt and #6 Fuel Oil

- 8 inch - 150 lb ANSI flange
- WATROD elements
- Without thermostat
- General purpose or moisture-resistant enclosures

General Purpose and Moisture Resistant



① The number and size of the conduit opening will comply with the National Electrical Code® standards.

Description	Volts	kW	Ph	# Circ.	"B" Dim. in. (mm)	Ship Wt. lbs (kg)	Part Number		Del.	Part Number		Del.
							General Purpose Enclosure	Moisture-Resistant Enclosure				
8 W/in ² ③ Steel Flange 18-Steel Elements (1.3 W/cm ²)	240	12.5	3	1	43 ¹ / ₄ (1099.0)	132 (60)	FRS743E12S	M	FRS743E12W	M		
	480	12.5	3	1	43 ¹ / ₄ (1099.0)	132 (60)	FRS743E13S	M	FRS743E13W	M		
	240	16.5	3	1	51 ¹¹ / ₁₆ (1312.9)	137 (63)	FRS751M12S	M	FRS751M12W	M		
	480	16.5	3	1	51 ¹¹ / ₁₆ (1312.9)	137 (63)	FRS751M13S	M	FRS751M13W	M		
	240	20.0	3	2	62 ³ / ₁₆ (1579.6)	154 (70)	FRS762D12S	M	FRS762D12W	M		
	480	20.0	3	1	62 ³ / ₁₆ (1579.6)	154 (70)	FRS762D13S	M	FRS762D13W	M		
	240	24.0	3	2	70 ¹¹ / ₁₆ (1795.5)	160 (73)	FRS770M12S	M	FRS770M12W	M		
	480	24.0	3	1	70 ¹¹ / ₁₆ (1795.5)	160 (73)	FRS770M13S	M	FRS770M13W	M		
	240	27.0	3	2	79 ¹¹ / ₁₆ (2024.1)	172 (78)	FRS779M12S	M	FRS779M12W	M		
	480	27.0	3	1	79 ¹¹ / ₁₆ (2024.1)	172 (78)	FRS779M13S	M	FRS779M13W	M		
8 W/in ² ③ Steel Flange 24-Steel Elements (1.3 W/cm ²)	240	17.0	3	1	43 ¹¹ / ₁₆ (1109.7)	147 (67)	FRS743M12XS	M	FRS743M12XW	M		
	480	17.0	3	1	43 ¹¹ / ₁₆ (1109.7)	147 (67)	FRS743M13XS	M	FRS743M13XW	M		
	240	22.0	3	2	51 ¹¹ / ₁₆ (1312.9)	154 (70)	FRS751M12XS	M	FRS751M12XW	M		
	480	22.0	3	1	51 ¹¹ / ₁₆ (1312.9)	154 (70)	FRS751M13XS	M	FRS751M13XW	M		
	240	27.0	3	2	62 ³ / ₁₆ (1579.6)	166 (76)	FRS762D12XS	M	FRS762D12XW	M		
	480	27.0	3	1	62 ³ / ₁₆ (1579.6)	166 (76)	FRS762D13XS	M	FRS762D13XW	M		
	240	32.0	3	2	70 ¹¹ / ₁₆ (1795.5)	175 (80)	FRS770M12XS	M	FRS770M12XW	M		
	480	32.0	3	1	70 ¹¹ / ₁₆ (1795.5)	175 (80)	FRS770M13XS	M	FRS770M13XW	M		
	240	36.0	3	2	79 ¹¹ / ₁₆ (2024.1)	181 (82)	FRS779M12XS	M	FRS779M12XW	M		
	480	36.0	3	1	79 ¹¹ / ₁₆ (2024.1)	181 (82)	FRS779M13XS	M	FRS779M13XW	M		

• M - Manufacturing lead times

- Notes:**
- All flange bundles are designed to fit the inside diameter of the equivalent standard schedule pipe
 - For ANSI flange dimensions, reference chart on page 241

③ Wired for 3-phase operation only

■ Truck Shipment only

Immersion Heaters

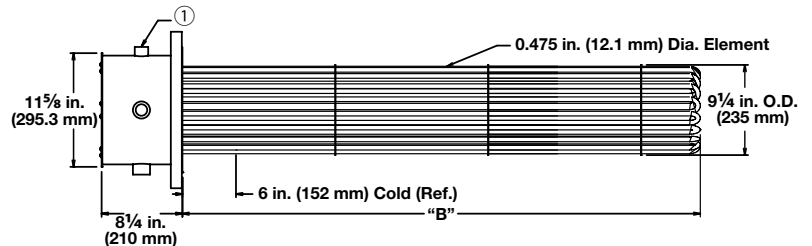
WATROD and FIREBAR ANSI Flange Immersion Heaters



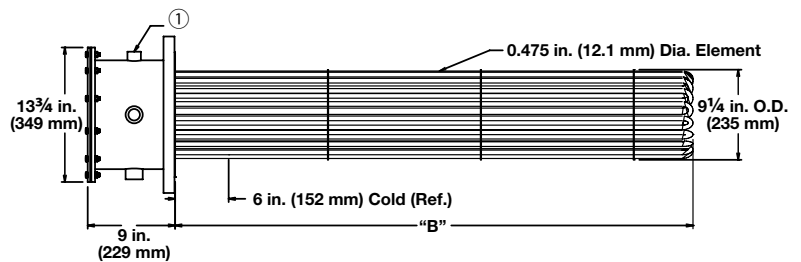
Application: Bunker C, Asphalt and #6 Fuel Oil

- 10 inch - 150 lb ANSI flange
- WATROD elements
- Without thermostat
- General purpose or moisture-resistant enclosures

General Purpose



Moisture Resistant



① The number and size of the conduit opening will comply with the National Electrical Code® standards.

Description	Volts	kW	Ph	# Circ.	"B" Dim. in. (mm)	Ship Wt. lbs (kg)	General Purpose Enclosure		Moisture-Resistant Enclosure	
							Part Number	Del.	Part Number	Del.
8 W/in ² ③ Steel Flange 27-Steel Elements (1.3 W/cm ²)	240	25.0	3	3	51 ³ / ₄ (1314)	230 (105)	FSS751N12S	M	FSS751N12W	M
	480	25.0	3	1	51 ³ / ₄ (1314)	230 (105)	FSS751N13S	M	FSS751N13W	M
	240	30.0	3	3	62 ¹ / ₄ (1581)	250 (114)	FSS762E12S	M	FSS762E12W	M
	480	30.0	3	1	62 ¹ / ₄ (1581)	250 (114)	FSS762E13S	M	FSS762E13W	M
	240	35.0	3	3	70 ³ / ₄ (1797)	258 (117)	FSS770N12S	M	FSS770N12W	M
	480	35.0	3	1	70 ³ / ₄ (1797)	258 (117)	FSS770N13S	M	FSS770N13W	M
	240	40.0	3	3	78 ³ / ₄ (2000)	265 (121)	FSS778N12S	M	FSS778N12W	M
	480	40.0	3	1	78 ³ / ₄ (2000)	265 (121)	FSS778N13S	M	FSS778N13W	M

• M - Manufacturing lead times

Notes:

- All flange bundles are designed to fit the inside diameter of the equivalent standard schedule pipe
- For ANSI flange dimensions, reference chart on page 241

③ Wired for 3-phase operation only

■ Truck Shipment only

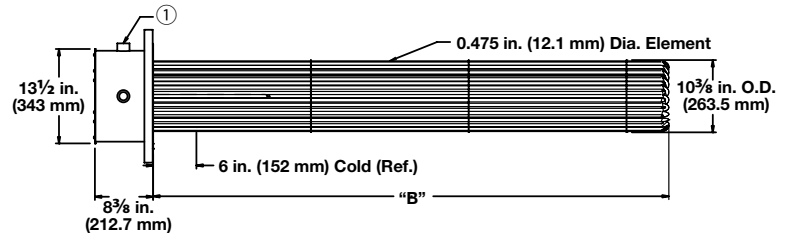
Immersion Heaters

WATROD and FIREBAR ANSI Flange Immersion Heaters

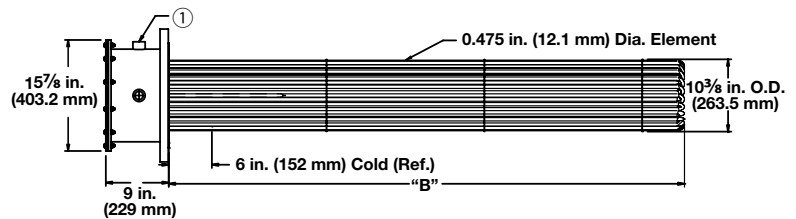
Application: Bunker C, Asphalt and #6 Fuel Oil

- 12 inch - 150 lb ANSI flange
- WATROD elements
- Without thermostat
- General purpose or moisture-resistant enclosures

General Purpose



Moisture Resistant



① The number and size of the conduit opening will comply with the National Electrical Code® standards.

Description	Volts	kW	Ph	# Circ.	"B" Dim. in. (mm)	Ship Wt. lbs (kg)	Part Number		Del.	
							General Purpose Enclosure	Moisture-Resistant Enclosure	Del.	Del.
8 W/in ² ③ Steel Flange 27-Steel Elements (1.3 W/cm ²)	240	34.0	3	2	51 ⁵ / ₈ (1311.3)	280 (127)	FTS751L12S	M	FTS751L12W	M
	480	34.0	3	1	51 ⁵ / ₈ (1311.3)	280 (127)	FTS751L13S	M	FTS751L13W	M
	240	40.0	3	2	62 ¹ / ₈ (1578.0)	285 (130)	FTS762C12S	M	FTS762C12W	M
	480	40.0	3	1	62 ¹ / ₈ (1578.0)	285 (130)	FTS762C13S	M	FTS762C13W	M
	240	47.0	3	3	70 ⁵ / ₈ (1793.9)	290 (132)	FTS770L12S	M	FTS770L12W	M
	480	47.0	3	2	70 ⁵ / ₈ (1793.9)	290 (132)	FTS770L13S	M	FTS770L13W	M
	240	54.0	3	3	78 ⁵ / ₈ (1997.1)	300 (136)	FTS778L12S	M	FTS778L12W	M
	480	54.0	3	2	78 ⁵ / ₈ (1997.1)	300 (136)	FTS778L13S	M	FTS778L13W	M

- M - Manufacturing lead times

Notes:

- All flange bundles are designed to fit the inside diameter of the equivalent standard schedule pipe
- For ANSI flange dimensions, reference chart on page 241

③ Wired for 3-phase operation only

■ Truck Shipment only

Immersion Heaters

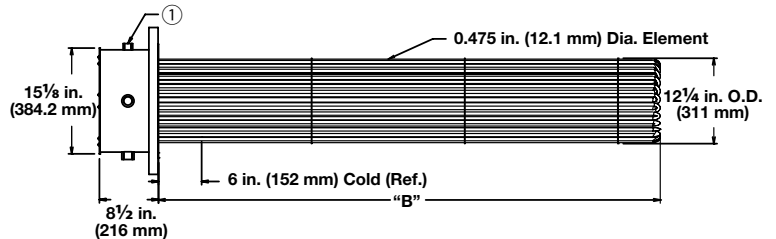
WATROD and FIREBAR ANSI Flange Immersion Heaters



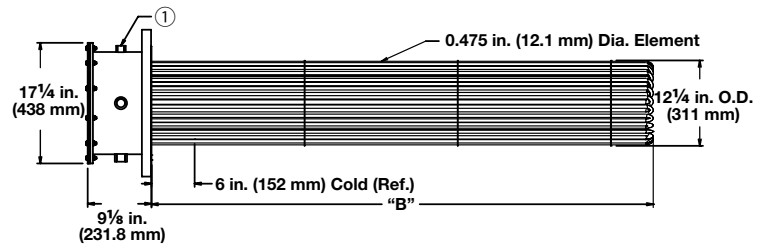
Application: Bunker C, Asphalt and #6 Fuel Oil

- 14 inch - 150 lb ANSI flange
- WATROD elements
- Without thermostat
- General purpose or moisture-resistant enclosures

General Purpose



Moisture Resistant



① The number and size of the conduit opening will comply with the National Electrical Code® standards.

Description	Volts	kW	Ph	# Circ.	"B" Dim. in. (mm)	Ship Wt. lbs (kg)	General Purpose Enclosure		Moisture-Resistant Enclosure	
							Part Number	Del.	Part Number	Del.
8 W/in ² ③ Steel Flange 27-Steel Elements (1.3 W/cm ²)	240	42.0	3	3	51 1/2 (1308)	300 (136)	FWS751J12S	M	FWS751J12W	M
	480	42.0	3	3	51 1/2 (1308)	300 (136)	FWS751J13S	M	FWS751J13W	M
	240	50.0	3	3	62 (1575)	310 (141)	FWS762A12S	M	FWS762A12W	M
	480	50.0	3	3	62 (1575)	310 (141)	FWS762A13S	M	FWS762A13W	M
	240	60.0	3	3	70 1/2 (1791)	318 (145)	FWS770J12S	M	FWS770J12W	M
	480	60.0	3	3	70 1/2 (1791)	318 (145)	FWS770J13S	M	FWS770J13W	M
	240	67.0	3	5	78 1/2 (1994)	330 (150)	FWS778J12S	M	FWS778J12W	M
	480	67.0	3	3	78 1/2 (1994)	330 (150)	FWS778J13S	M	FWS778J13W	M

• M - Manufacturing lead times

Notes:

- All flange bundles are designed to fit the inside diameter of the equivalent standard schedule pipe
- For ANSI flange dimensions, reference chart on page 241

③ Wired for 3-phase operation only

■ Truck Shipment only

Immersion Heaters

WATROD and FIREBAR ANSI Flange Immersion Heaters

Ordering Information

Part Number

Stock ANSI Flange Part Number	Optional Terminal Enclosures	Optional Process Sensors	Sheath Limit Sensors

Stock ANSI Flange Part Number

Note: Catalog part numbers include optional enclosures and process sensors. To order optional enclosures or sensors, substitute the appropriate suffix.

Optional Terminal Enclosures

S =	General purpose enclosure
W =	Moisture-resistant enclosure
E =	Explosion-resistant enclosure
C =	Moisture/explosion-resistant enclosure

Note: Catalog listings include either a general purpose enclosure or moisture/explosion-resistant enclosure. Substitute enclosure options are noted.

Optional Process Sensors

2 =	30 to 250°F, (-1 to 121°C) SPST
3 =	175 to 550°F, (79 to 288°C) SPST
4 =	30 to 110°F, (-1 to 43°C) DPST
5A=	60 to 250°F, (16 to 121°C) DPST (FIREBAR)
7A=	100 to 550°F, (38 to 288°C) DPST (FIREBAR)
PJ=	Type J process thermocouple in thermowell
PK=	Type K process thermocouple in thermowell

Note: Thermostat part numbers are shown in the *Thermostat Chart* on page 537.

Example Part Number: FPS732R12 S 2 HJ

Sheath Limit Sensors

HJ=	Type J high-limit thermocouple, horizontal mount
TJ=	Type J high-limit thermocouple, vertical/housing at top
BJ=	Type J high-limit thermocouple, vertical/housing at bottom
HK=	Type K high-limit thermocouple, horizontal mount
TK=	Type K high-limit thermocouple, vertical/housing at top
BK=	Type K high-limit thermocouple, vertical/housing at bottom

Note: Heater orientation is critical to accurate sensing of limit conditions. Use the appropriate code to indicate heater mounting orientation.

Immersion Heaters

WATROD and FIREBAR Flange Immersion Heaters

Plate Flange Immersion Heaters

Watlow plate flange heaters are easy to install and maintain. These products are designed for heating heat transfer fluids, medium and lightweight oils and water in tanks and pressure vessels. Plate flange heaters are ideal for applications requiring low to medium wattage requirements.

Watlow plate flange heaters are made with WATROD tubular elements that are brazed or welded to the flange. Stock plate flange heaters are supplied with general purpose or moisture-resistant terminal enclosures.

Performance Capabilities

- Watt densities up to 100 W/in² (15.5 W/cm²)
- Wattages up to 18 kilowatts
- Alloy 800/840 sheath temperatures up to 1600°F (870°C)
- 304 stainless steel sheath temperatures up to 1200°F (650°C)
- Steel sheath temperatures up to 750°F (400°C)

Features and Benefits

Rapid ship program

- Minimizes downtime

Direct replacement for many OEM mold temperature control units

- Provides a single source supplier for many OEM applications

ANSI compatible 2 and 2½ inch flanges

- Provides appropriate heater size-to-application fit

Standard general purpose or moisture resistant terminal enclosures

- Offers easy access to wiring
- Limits accidental contact with termination
- Denies access to wiring connection in local environment



Immersion Heaters

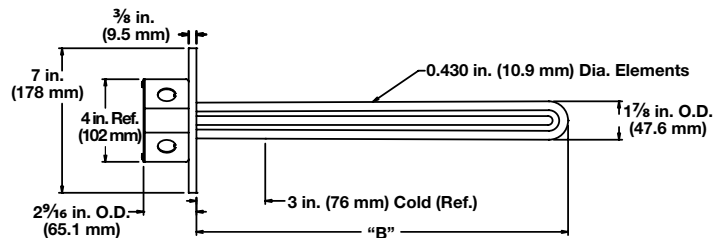
WATROD and FIREBAR Flange Immersion Heaters

Plate Flange Immersion Heaters

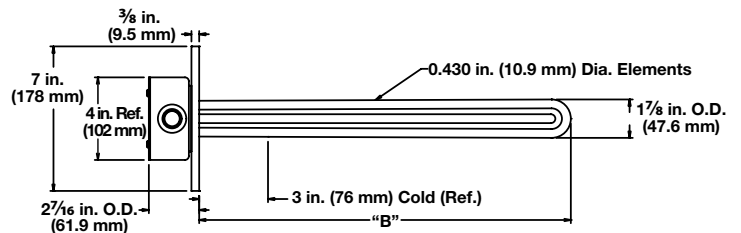
Application: Clean Water

- 2 1/2 inch plate flange (bolt pattern matches 2 1/2 inch - 150 lb ANSI flange)
- WATROD elements
- Not available with thermowell or thermostat
- General purpose or moisture-resistant enclosures

General Purpose



Moisture Resistant



Description	Volts	kW	Ph	# Circ.	"B" Dim. in. (mm)	Ship Wt. lbs (kg)	Part Number	Del.	Part Number	Del.	
							General Purpose Enclosure		Moisture-Resistant Enclosure		
100 W/in ² Steel Flange 3-304 SS Elements (15.5 W/cm ²)	240	12.0	1	3	18 (457)	22 (10)	FLN18A10S	M	FLN18A10W	M	
	240	12.0	3	1	18 (457)	22 (10)	FLN18A3S	M	FLN18A3W	M	
	480	12.0	1	1	18 (457)	22 (10)	FLN18A11S	M	FLN18A11W	M	
	480	12.0	3	1	18 (457)	22 (10)	FLN18A5S	M	FLN18A5W	M	
80 W/in ² Steel Flange 3-304 SS Elements (12.4 W/cm ²)	240	9.0	1	1	17 ³ / ₄ (451)	22 (10)	FLN17N10S	M	FLN17N10W	M	
	240	9.0	3	1	17 ³ / ₄ (451)	22 (10)	FLN17N3S	RS	FLN17N3W	RS	
	480	9.0	1	1	17 ³ / ₄ (451)	22 (10)	FLN17N11S	M	FLN17N11W	M	
	480	9.0	3	1	17 ³ / ₄ (451)	22 (10)	FLN17N5S	M	FLN17N5W	M	
	240	18.0	1	3	30 (762)	27 (13)	FLN30A10S	M	FLN30A10W	M	
	240	18.0	3	1	30 (762)	27 (13)	FLN30A3S	RS	FLN30A3W	RS	
	480	18.0	1	1	30 (762)	27 (13)	FLN30A11S	M	FLN30A11W	M	
	480	18.0	3	1	30 (762)	27 (13)	FLN30A5S	M	FLN30A5W	M	
60 W/in ² Steel Flange 3-Alloy 800 Elements (9.3 W/cm ²)	240	4.5	1	1	12 ¹ / ₂ (318)	21 (10)	FLN12J10S	M	FLN12J10W	M	
	240	4.5	3	1	12 ¹ / ₂ (318)	21 (10)	FLN12J3S	RS	FLN12J3W	RS	
	480	4.5	1	1	12 ¹ / ₂ (318)	21 (10)	FLN12J11S	M	FLN12J11W	M	
	480	4.5	3	1	12 ¹ / ₂ (318)	21 (10)	FLN12J5S	M	FLN12J5W	M	

RAPID SHIP

- RS - Next day shipment up to 5 pieces
- M - Manufacturing lead times

Note: All flange bundles are designed to fit the inside diameter of the equivalent standard schedule pipe

Immersion Heaters

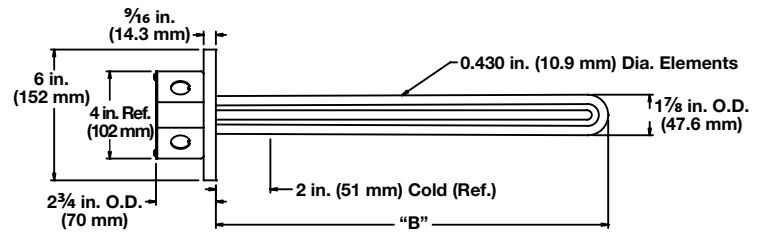
WATROD and FIREBAR Flange Immersion Heaters

Plate Flange Immersion Heaters

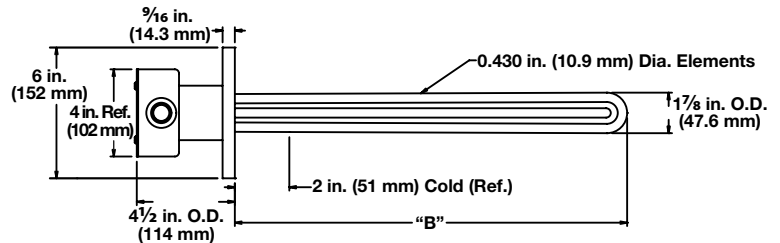
Application: Process Water

- 2 inch flange (bolt pattern matches 2 inch - 150 lb ANSI flange)
- WATROD elements
- Not available with thermowell or thermostat
- General purpose or moisture-resistant enclosures

General Purpose



Moisture Resistant



Description	Volts	kW	PH	# Circ.	"B" Dim. in. (mm)	Ship Wt. lbs (kg)	Part Number		Part Number	
							Del.	Del.	Del.	Del.
45 W/in ² Steel Flange 3-Alloy 800 Elements (7 W/cm ²)	240	4.5	1	1	16 (406)	22 (10)	FKN16A10S	M	FKN16A10W	M
	240	4.5	3	1	16 (406)	22 (10)	FKN16A3S	M	FKN16A3W	M
	480	4.5	1	1	16 (406)	22 (10)	FKN16A11S	M	FKN16A11W	M
	480	4.5	3	1	16 (406)	22 (10)	FKN16A5S	RS	FKN16A5W	RS
	240	9.0	1	1	29 (737)	27 (13)	FKN29A10S	M	FKN29A10W	M
	240	9.0	3	1	29 (737)	27 (13)	FKN29A3S	RS	FKN29A3W	RS
	480	9.0	1	1	29 (737)	27 (13)	FKN29A11S	M	FKN29A11W	M
	480	9.0	3	1	29 (737)	27 (13)	FKN29A5S	RS	FKN29A5W	RS
45 W/in ² Steel Flange 3-Alloy 800 Elements (7 W/cm ²)	240	9.0	1	1	28 (711)	27 (13)	FKN28A10S	M	FKN28A10W	M
	240	9.0	3	1	28 (711)	27 (13)	FKN28A3S	M	FKN28A3W	M
	480	9.0	1	1	28 (711)	27 (13)	FKN28A11S	M	FKN28A11W	M
	480	9.0	3	1	28 (711)	27 (13)	FKN28A5S	RS	FKN28A5W	RS

RAPID SHIP

- **RS** - Next day shipment up to 5 pieces
- **M** - Manufacturing lead times

Note: All flange bundles are designed to fit the inside diameter of the equivalent standard schedule pipe

Immersion Heaters

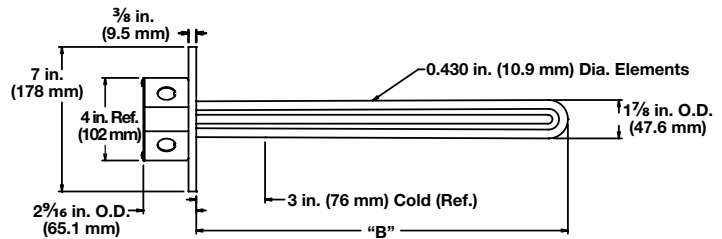
WATROD and FIREBAR Flange Immersion Heaters

Plate Flange Immersion Heaters

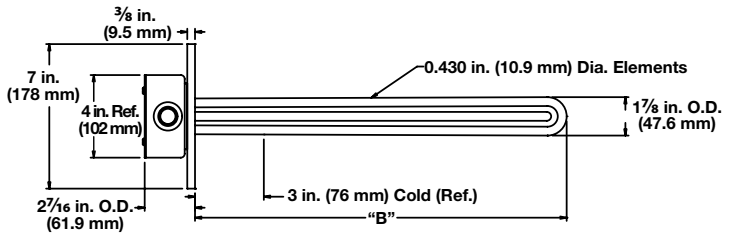
Application: Forced Air and Caustic Solutions

- 2½ inch flange (bolt pattern matches 2½ inch - 150 lb ANSI flange)
- WATROD elements
- Not available with thermowell or thermostat
- General purpose or moisture-resistant enclosures

General Purpose



Moisture Resistant



Description	Volts	kW	Ph	# Circ.	"B" Dim.		Ship Wt.		General Purpose Enclosure		Moisture-Resistant Enclosure	
					in.	(mm)	lbs	(kg)	Part Number	Del.	Part Number	Del.
30 W/in ² Steel Flange 3-Alloy 800 Elements (4.7 W/cm ²)	240	3.0	3	1	17 ³ / ₄	(451)	22	(10)	FLN17N12S	RS	FLN17N12W	RS
	480	3.0	3	1	17 ³ / ₄	(451)	22	(10)	FLN17N13S	RS	FLN17N13W	RS
	240	4.0	3	1	18	(457)	22	(10)	FLN18A12S	RS	FLN18A12W	RS
	480	4.0	3	1	18	(457)	22	(10)	FLN18A13S	M	FLN18A13W	M
	240	6.0	3	1	30	(762)	27	(13)	FLN30A12S	M	FLN30A12W	M
	480	6.0	3	1	30	(762)	27	(13)	FLN30A13S	M	FLN30A13W	M

RAPID SHIP

- **RS** - Next day shipment up to 5 pieces
- **M** - Manufacturing lead times

Note: All flange bundles are designed to fit the inside diameter of the equivalent standard schedule pipe

Immersion Heaters

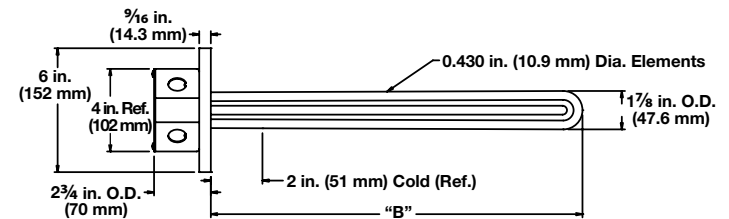
WATROD and FIREBAR Flange Immersion Heaters

Plate Flange Immersion Heaters

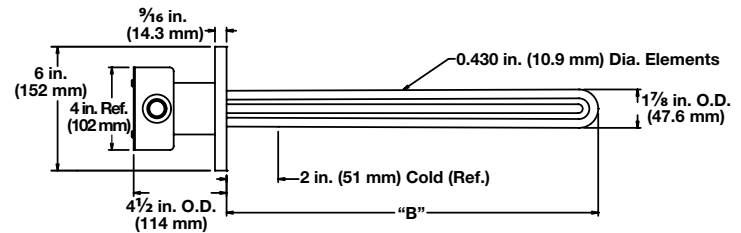
Application: Lightweight Oils and Ethylene Glycol (100%)

- 2 inch flange (bolt pattern matches 2 inch - 150 lb ANSI flange)
- WATROD elements
- Not available with thermowell or thermostat
- General purpose or moisture-resistant enclosures

General Purpose



Moisture Resistant



Description	Volts	kW	Ph	# Circ.	"B" Dim. in.	"B" Dim. (mm)	Ship Wt. lbs	Ship Wt. (kg)	Part Number		Part Number	
									Del.	Del.	Del.	Del.
30 W/in ² Steel Flange 3-Steel Elements (4.7 W/cm ²)	240	6.0	1	1	29	(737)	27	(13)	General Purpose Enclosure		Moisture-Resistant Enclosure	
	240	6.0	3	1	29	(737)	27	(13)	FKS29A10S	RS	FKS29A10W	RS
	480	6.0	1	1	29	(737)	27	(13)	FKS29A11S	RS	FKS29A11W	RS
	480	6.0	3	1	29	(737)	27	(13)	FKS29A5S	M	FKS29A5W	M

RAPID SHIP

- **RS** - Next day shipment up to 5 pieces
- **M** - Manufacturing lead times

Note: All flange bundles are designed to fit the inside diameter of the equivalent standard schedule pipe

Immersion Heaters

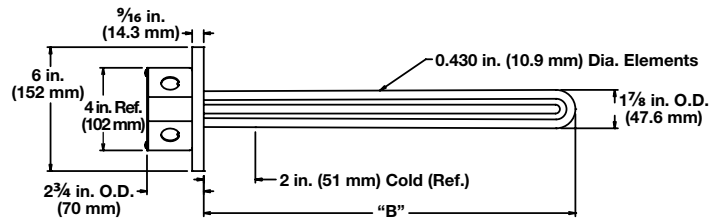
WATROD and FIREBAR Flange Immersion Heaters

Plate Flange Immersion Heaters

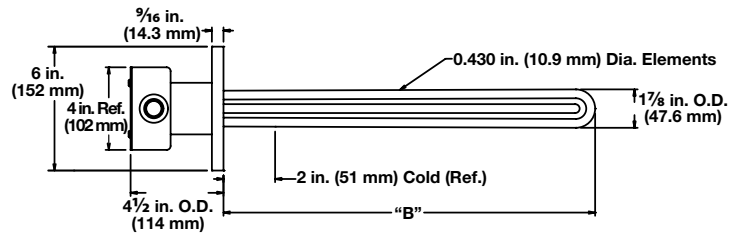
Application: Medium Weight Oils and Heat Transfer Oils

- 2 inch flange (bolt pattern matches 2 inch - 150 lb ANSI flange)
- WATROD elements
- Not available with thermowell or thermostat
- General purpose or moisture-resistant enclosures

General Purpose



Moisture Resistant



Description	Volts	kW	Ph	# Circ.	"B" Dim. in.	(mm)	Ship Wt. lbs	(kg)	Part Number	Del.	Part Number	Del.
									General Purpose Enclosure		Moisture-Resistant Enclosure	
15 W/in ² Steel Flange 3-Alloy 800 Elements (2.3 W/cm ²)	240	3.0	3	1	28	(711)	27	(13)	FKN28A12S	M	FKN28A12W	M
	480	3.0	3	1	28	(711)	27	(13)	FKN28A13S	M	FKN28A13W	M
10 W/in ² Steel Flange 3-Steel Elements (1.6 W/cm ²)	240	2.0	3	1	29	(737)	27	(13)	FKS29A12S	M	FKS29A12W	M
	480	2.0	3	1	29	(737)	27	(13)	FKS29A13S	M	FKS29A13W	M

- M - Manufacturing lead times

Note: All flange bundles are designed to fit the inside diameter of the equivalent standard schedule pipe

Immersion Heaters

WATROD and FIREBAR Flange Immersion Heaters

Square Flange Immersion Heaters

Designed for use in boilers and industrial storage tanks, the square flange immersion heater from Watlow offers an energy efficient solution to heating water, oils and degreasing solutions.

Consisting of WATROD or FIREBAR elements brazed, staked or welded to a four- or six-bolt flange, these heaters mount directly to a mating flange that is welded to a tank wall or nozzle.

Installation and maintenance is easy. Heater change-out is also simple-unbolt the flange and replace it with another-without extensive equipment downtime.

Performance Capabilities

- Watt densities up to 100 W/in² (15.5 W/cm²)
- Wattages up to 24 kilowatts
- Voltages up to 480VAC
- Alloy 800/840 sheath temperatures up to 1600°F (870°C)

Features and Benefits

2¹/₂, 3¹/₈ and 4¹/₂ inch square flanges

- Adapts easily to application needs

Asbestos-free gaskets

- Come wire-tied to each flange. Spare gaskets also available

Epoxy or silicone resin seals rated to 250°F (120°C) or 390°F (200°C)

- Protects elements against moisture and other contaminants

WATROD hairpins are repressed (recompacted)

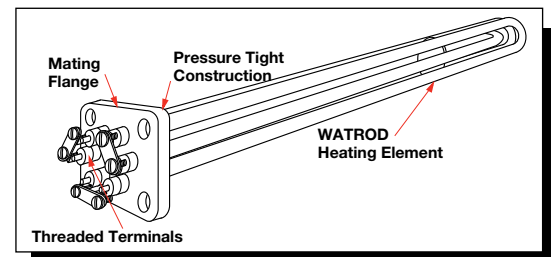
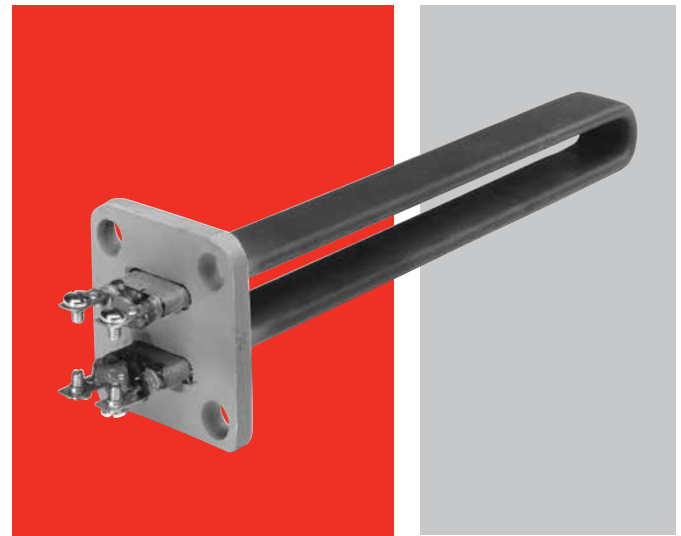
- Helps maintain MgO density, dielectric strength, heat transfer and life

UL® and CSA component recognition under file numbers E52951 and 31388

- Meets industry safety standards

Typical Applications

- Water
- Boiler equipment
- Vapor degreasers
- Fuel oils
- Heat transfer fluids
- Caustic solutions



Flange Materials

WATROD	Steel 304 SS
FIREBAR	Steel Brass

Available on Request

- **Sheath materials** in steel, 304 and 316 stainless steel and titanium
- **Flange materials** in titanium and 316 stainless steel
- **Flange sizes** to meet specific application needs
- **External finishes** such as passivation, belt polishing and glass beading
- **Other voltage and wattage ratings**
Contact your Watlow representative for details

Immersion Heaters

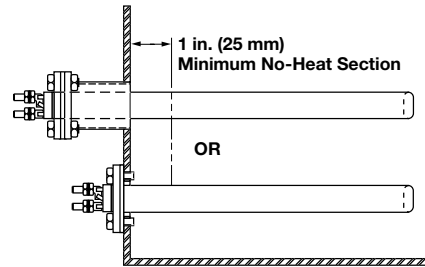
WATROD and FIREBAR Flange Immersion Heaters

Square Flange Immersion Heaters

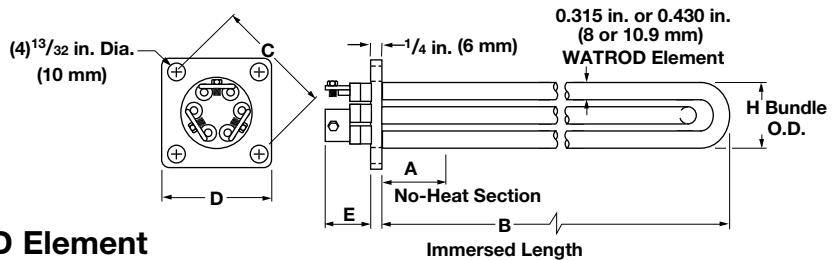
Application Hints

- Determine recommended sheath materials and watt densities by using the *Element and Assembly Selection Guide* on pages 554 to 555. If wattage is not known, contact your Watlow representative.
- Extend the element's no-heat section completely in the fluid at all times to prevent premature heater failure. See the accompanying illustration for proper placement of the no-heat section.

- Mount WATROD and FIREBAR square flange heaters horizontally and low in the tank, but above sludge level.
- Periodically remove heaters to inspect and clean the elements.
- Keep terminations clean, dry and tight.
- Minimize problems associated with low liquid level conditions by using a low liquid level sensor.



Heater Dimension	in.	(mm)
A	1 1/2	(38)
C	2 1/2	(64)
D	2 1/2	(64)
E	1	(25)
H	1 1/2	(38)



2 1/2 inch Square Flange – WATROD Element

WATROD Description	kW	Immersed B Dimension in. (mm)	Part Number				Est. Ship. Wt. lbs (kg)
			240VAC 1-Phase	240VAC 3-Phase	480VAC 1-Phase	480VAC 3-Phase	

Applications: Clean and Potable Water

100 W/in ² Steel Flange 3-Alloy 800 (15.5 W/cm ²)	8.0	11 3/4 (298.0)	FHN11N10 ^②	FHN11N3 ^②	FHN11N11 ^②	FHN11N5 ^①	18 (9)
---	-----	----------------	-----------------------	----------------------	-----------------------	----------------------	--------

Applications: Forced Air and Gases, Caustic Solutions, Degreasing Solutions

30 W/in ² 304 SS Flange 3-Alloy 800 (4.7 W/cm ²)	3.0	18 1/2 (470.0)	FHN18J10 ^①	FHN18J3 ^①	FHN18J11 ^②	FHN18J5 ^②	19 (9)
	3.75	23 1/16 (585.8)	FHN23B10 ^①	FHN23B3 ^①	FHN23B11 ^②	FHN23B5 ^②	20 (9)
25 W/in ² 304 SS Flange 3-Alloy 800 (3.9 W/cm ²)	1.5	12 (305.0)	FHN12A10 ^①	FHN12A3 ^①	FHN12A11 ^②	FHN12A5 ^②	18 (8)

Applications: Bunker C and #6 Fuel Oils

10 W/in ² 304 SS Flange 3-Alloy 800 (1.6 W/cm ²)	1.0	18 1/2 (470.0)		FHN18J12 ^①		FHN18J13 ^②	19 (9)
	1.25	23 1/16 (585.8)		FHN23B12 ^①		FHN23B13 ^②	20 (9)
8 W/in ² 304 SS Flange 3-Alloy 800 (1.3 W/cm ²)	0.5	12 (305.0)		FHN12A12 ^①		FHN12A13 ^②	18 (8)

RAPID SHIP

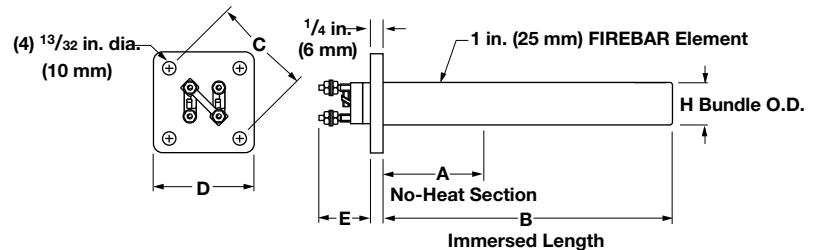
- ① Next day shipment up to 5 pieces
- ② Manufacturing lead times

Immersion Heaters

WATROD and FIREBAR Flange Immersion Heaters

Square Flange Immersion Heaters

Heater Dimension	in.	(mm)
A	1 1/2	(38)
C	2 1/2	(64)
D	2 1/2	(64)
E	1 3/4	(44)
H	1 5/16	(33)



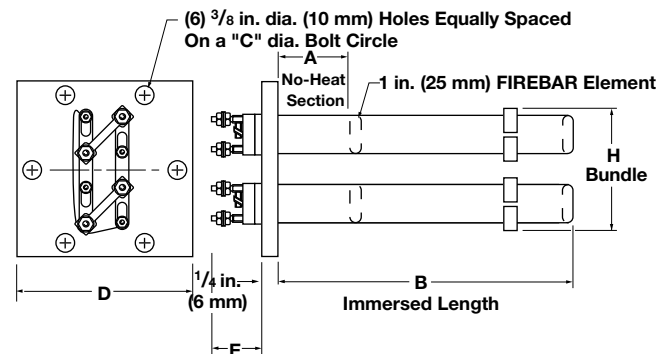
2 1/2 inch Square Flange—FIREBAR Element

FIREBAR Description	kW	Immersed B Dimension in. (mm)	Part Number					Est. Ship.	
			208VAC 3-Phase	240VAC 1-Phase	240VAC 3-Phase	480VAC 1-Phase	480VAC 3-Phase	Wt. lbs	(kg)

Applications: Clean and Potable Water

100 W/in ² Steel Flange	5	11 1/2 (292)	FHNFA11J26N ^②	FHNFA11J10N ^①	FHNFA11J3N ^①	FHNFA11J11N ^②	FHNFA11J5N ^②	5	(3)
1-Alloy 800 (15.5 W/cm ²)	8	20 3/4 (527)	FHNFA20N26N ^②	FHNFA20N10N ^①	FHNFA20N3N ^①	FHNFA20N11N ^②	FHNFA20N5N ^①	7	(4)
	10	24 3/8 (619)	FHNFA24G26N ^②	FHNFA24G10N ^①	FHNFA24G3N ^②	FHNFA24G11N ^②	FHNFA24G5N ^①	8	(4)
	15	33 15/16 (862)	FHNFA33S26N ^②		FHNFA33S3N ^②	FHNFA33S11N ^②	FHNFA33S5N ^①	9	(5)
80 W/in ² Steel Flange	16	22 5/8 (575)	FHNFB22L26J ^②	FHNFB22L10J ^②	FHNFB22L3J ^②	FHNFB22L11J ^②	FHNFB22L5J ^②	10	(5)
1-Alloy 800 (12.4 W/cm ²)									

Heater Dimension	in.	(mm)
A	1	(25.0)
C	3 13/16	(96.8)
D	4 1/2	(114.0)
E	2 1/4	(57.0)
H	3 7/32	(81.8)



4 1/2 inch Square Flange—FIREBAR Element

FIREBAR Description	kW	Immersed B Dimension in. (mm)	Part Number			Est. Ship.	
			208VAC 3-Phase	240VAC 3-Phase	480VAC 3-Phase	Wt. lbs	(kg)

Applications: Clean and Potable Water

100 W/in ² Steel Flange	18	10 1/2 (267)	FGNFB10J26N ^②	FGNFB10J3N ^②	FGNFB10J5N ^①	16	(8)
2-Alloy 800 (15.5 W/cm ²)							
70 W/in ² Steel Flange	12	10 1/2 (267)	FGNFB10J26P ^①	FGNFB10J3P ^②	FGNFB10J5P ^①	16	(8)
2-Alloy 800 (10.9 W/cm ²)							

RAPID SHIP

- ① Next day shipment up to 5 pieces
- ② Manufacturing lead times

Immersion Heaters

**EXTENDED
CAPABILITY**

WATROD and FIREBAR Flange Immersion Heaters

Extended Capabilities For Bayonet/Pipe Insert Immersion Heaters

Bayonet/Pipe insert immersion heaters permit removing and servicing the heater bundle without draining the liquid being heated.

Heating is accomplished by mounting a flange or screw plug immersion heater inside a pressure-tight bayonet pipe vessel. The pipe vessel then mates to a flange connection on a storage tank's side. Heat transfer between element(s) and tank contents is accomplished by heating the air or heat transfer fluid inside the bayonet pipe for conduction to the tank's contents.

Performance Capabilities

- Wattages up to 100 kilowatts
- Voltages up to 600VAC
- Ratings up to 600 lb pressure class
- Alloy 800 sheath temperatures up to 1400°F (760°C)
- Stainless steel sheath temperatures up to 1200°F (650°C)
- Steel sheath temperatures up to 750°F (400°C)

Features and Benefits

Low watt density screw plug or flange heaters mounted in the bayonet vessel

- Provides long life

Carbon steel, 304 and 316 stainless steel bayonet vessels

- Offers compatibility with a wide range of liquids

Welded flange on pipe vessel

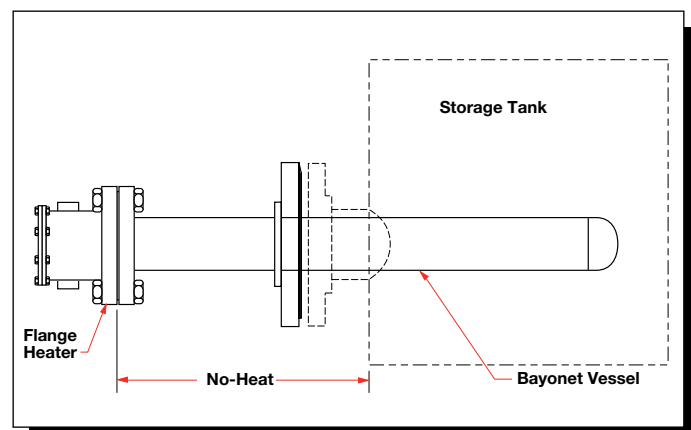
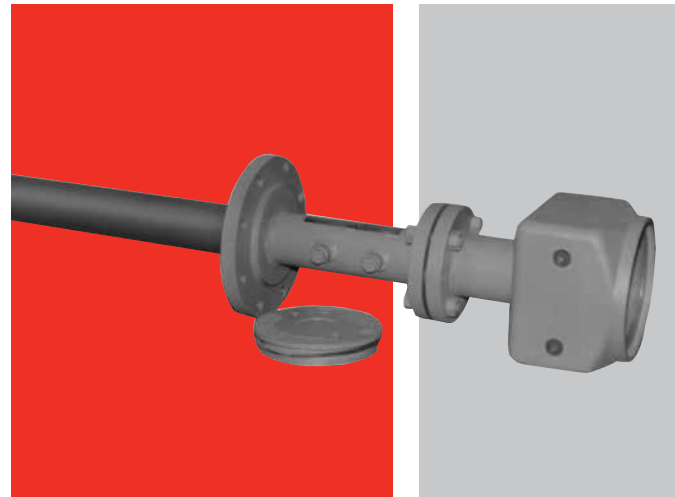
- Ensures pressure seal

Heating elements support(s)

- Ensures proper element spacing and maximum heater performance

Typical Applications

- Indirect heating of viscous fluids:
 - Asphalt
 - Tar
 - Molasses
 - Syrup
 - Glue
- Corrosive liquids
- Degreasing fluids



WATROD and FIREBAR Flange Immersion Heaters

Extended Capabilities For Bayonet/Pipe Insert Immersion Heaters

Options

Pipe insert heaters can be supplied with a variety of options, including:

- Appropriate gasket materials
- Passivation cleaning on pipe insert
- European screw plug to flange adapters
- CSA certified terminal enclosures
- Stand-off terminal enclosures
- Thermocouple temperature sensors
- Thermostats
- Customer specified materials, sizes and pressure class ratings

For descriptions and ordering information about these options, please refer to *Flange Immersion Heaters*, pages 237 to 306, or *Screw Plug Immersion Heaters*, pages 165 to 234.

Flanges

Flanges to 24 in. (610 mm) nominal pipe size are available in materials compatible with specific application needs. For information on flange materials and ratings, consult your Watlow representative.

Bayonet Vessels

Bayonet vessels are available up to 14 in. (356 mm) nominal pipe size and 20 feet long. Vessel size is dependent upon the kilowatt requirement and element watt density. For more information, contact your Watlow representative.

Application Hints

- Mount pipe insert heater horizontally
- Locate pipe insert heaters low in the tank, but above the sludge level
- Consider a low liquid level sensor to protect against low liquid level conditions
- Select a watt density that is compatible with the heat transfer media being used
- Insulate the pipe insert heater's exterior to minimize heat loss



Caution:

Do not insulate the terminal enclosure.

Immersion Heaters

Over-the-Side Heaters

L and O Shaped Immersion Heaters

Over-the-side heaters are ideal for heating water, oils, solvents, salts and acids. Application versatility is enhanced with optional sheath materials, kilowatt ratings, terminal enclosures and mounting methods.

The L and O shaped “installed-from-the-top” heaters slide easily into tanks, with the heated portion immersed along the side or at the bottom. The drum immersion heaters are designed for direct immersion in a standard 55 gallon steel drum. Watlow vertical loop immersion heaters are well-suited for open tank applications.

L and O Shaped Performance Capabilities

- Alloy 800 sheath element watt densities up to 60 W/in² (9.3 W/cm²)
- Wattages up to 50 kilowatts
- Voltages up to 600VAC

Features and Benefits

Rugged, light-weight construction

- Resists damage during installation or removal

0.475 in. (12 mm) diameter WATROD heating elements

- Offers one- or three-phase operation

WATROD hairpins are repressed (recompacted)

- Maintains MgO density, dielectric strength, heat transfer and heater life

Four inch (100 mm) sludge legs

- Keeps heating elements off the tank’s bottom to help avoid being covered with sediment

RTV riser seal

- Prevents moisture from infiltrating electrical areas

Standardized size 1 in. (25 mm) conduit openings

- Facilitates wiring

SRG insulated flexible lead wires, rated to 390°F (200°C)

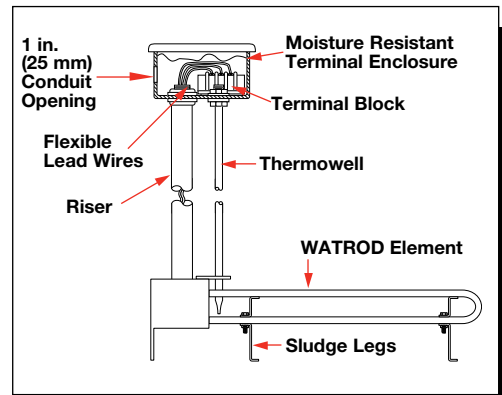
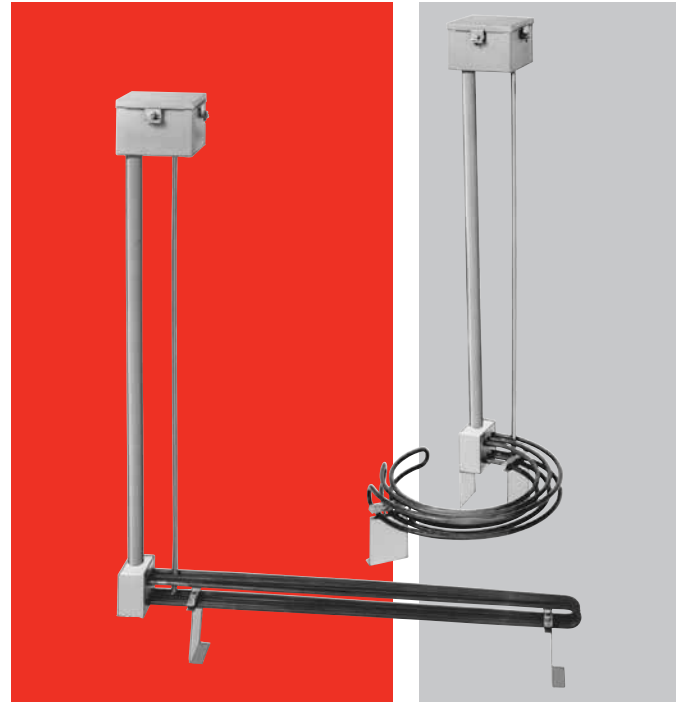
- Allows factory or field wiring for three- or one-phase operation

Riser materials are compatible with element sheath materials such as stainless steel with alloy 800 sheath and steel with steel sheath

- Meets varying application needs
- Ensures ease of use

Integral thermowells

- Provides convenient temperature sensor insertion and replacement without draining the fluid being heated



Moisture resistant

- Standardizes enclosures

UL® and CSA component recognition

- 480 and 600VAC maximum under file numbers E52951 and 31388 respectively

Typical Applications

- Water heating
- Solvents
- Freeze protection
- Salts
- Viscous oils
- Caustic solutions
- Storage tanks
- Paraffin
- Degreasing tanks

Immersion Heaters

Over-the-Side Heaters

L and O Shaped Immersion Heaters

Options

Terminal Enclosures

Moisture resistant terminal enclosures, without thermostats, are standard on all Watlow L and O shaped over-the-side heaters. Optional terminal enclosures meet application requirements with:

- Corrosion resistant, available with or without a single- or double-pole thermostat.
- Explosion/moisture resistant Class 1, Div. I and II, Groups B, C and D. Available with or without a single- or double- pole thermostat.

Thermostats

Optional single- and double-pole thermostats are also available separately.

For details on thermostats, see *Thermostats*, pages 534 to 537.

Wattages and Voltages

Watlow routinely supplies over-the-side heaters with 240 to 480VAC as well as wattages from 3 to 18 kilowatts.

Multiple Elements

Over-the-side immersion heaters are configured with three WATROD heating elements.

To achieve a specific kilowatt rating, Watlow can configure units with up to six heating elements.

To order, specify **multiple elements**, the **number of elements**, **volts**, **watts**, **phase** and **maximum bundle height** and **width**.

Riser

A stainless steel or steel riser is supplied to keep terminal enclosures out of the heated solution. Stock heights are 39⁵/₁₆ or 51⁵/₁₆ in. (1000 or 1320 mm). Upon request, riser height up to 60 ft (18.3 m) can be provided.

To order, specify **riser material** and **height**.

Right Angle Riser

Riser may be right angle formed to move the terminal enclosure away from over the tank.

To order, specify **right angle riser** and **dimensions**.

Sludge Legs

Four inch (100 mm) sludge legs are supplied on all stock units to keep elements above sediments. Shorter or longer sludge legs are available upon request.

To order, specify **sludge legs** and **height**.

Sheath Material

Stock O and L shaped over-the-side heaters come with alloy 800 or steel sheaths.

To order, specify the **sheath material**.



Caution

Explosion-resistant terminal enclosures are intended to provide explosion containment in the electrical termination/wiring enclosure only. No portion of the assembly outside of this enclosure is covered under this rating. Rating effectiveness may be compromised by abuse or misapplication.

Thermocouples

ASTM Type J or K thermocouples offer more accurate sensing of process and/or sheath temperatures. A thermocouple may be inserted into the thermowell or attached to the heater's sheath.

Thermocouples are supplied with 120 in. (3050 mm) leads (longer lead lengths available). Unless otherwise specified, thermocouples are supplied with temperature ranges detailed on the *Thermocouple Types* chart.

Thermocouples require an appropriate temperature and power controller. These must be purchased separately. Watlow offers a wide variety of temperature and power controllers to meet virtually all applications. Temperature controllers can be configured to accept process variable inputs, too. Contact your Watlow representative for details.

To order, specify **Type J** or **K** thermocouple, **lead length**, and indicate if it is for measuring **process** temperature or as a **high-limit** sensing device.

Thermocouple Types

ASTM Type	Conductor Characteristics		Recommended Temperature Range	
	Positive	Negative	°F	(°C) ①
J	Iron (Magnetic)	Constantan (Non-magnetic)	0 to 1000	(-20 to 540)
K	Chromel® (Non-magnetic)	Alumel® (Magnetic)	0 to 2000	(-20 to 1100)

① Type J and Type K thermocouples are rated 32 to 1382°F and 32 to 2282°F (0-750°C and 0-1250°C), respectively. Watlow does not recommend exceeding temperature ranges shown on this chart for the tubular product line.

Over-the-Side Heaters

Extended Capabilities For L and O Shaped Immersion Heaters

Options

Wattages and Voltages

Watlow routinely supplies over-the-side heaters with 240 to 480VAC as well as wattages from 3 to 18 kilowatts. If required, Watlow can configure heaters with voltages and wattages outside these parameters.

For more information about this option, contact your Watlow representative.

Sheath Material

Stock O and L shaped over-the-side heaters come with alloy 800 sheaths. 304 or 316 stainless steel and titanium sheaths are available upon request.

For more information about this option, contact your Watlow representative.

Multiple Elements

Over-the-side immersion heaters are configured with three WATROD heating elements.

To achieve a specific kilowatt rating, Watlow can configure units with up to 36 heating elements.

To order, specify **multiple elements**, the **number of elements**, **volts**, **watts**, **phase** and **maximum bundle height** and **width**.

Passivation

During the manufacturing process, particles of iron or tool steel may become embedded in the stainless steel or alloy sheath. If not removed, these particles may corrode, produce rust spots and/or contaminate the process.

For critical applications, passivation will remove free iron from the sheath and other wetted surfaces.

To order, specify **passivation**.

Man Hole Cover

A man hole cover seals the tank and provides heater mounting. Man hole covers are pre-assembled to the riser. Standard man hole covers are made from steel with other materials available upon request.

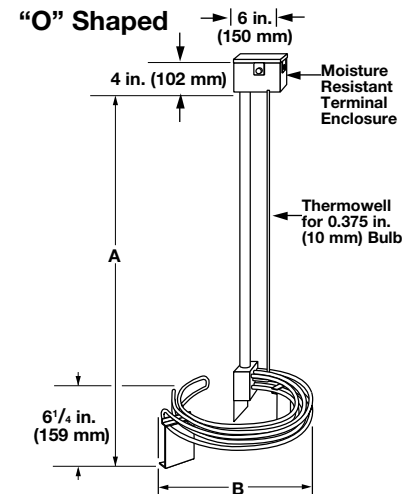
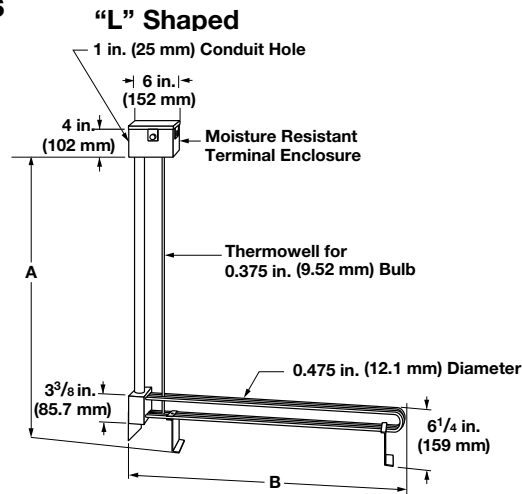
To order, specify **man hole construction**, **diameter** and **material**.

Immersion Heaters

Over-the-Side Heaters

L and O Shaped Immersion Heaters

Ordering Information



"L" Shaped

WATROD Description	kW	A		B		Part No.		Del.	Est. Ship. Wt.	
		in.	(mm)	in.	(mm)	240VAC 3-Phase	480VAC 3-Phase		lbs	(kg)
48 W/in² Alloy 800 (7.5 W/cm²)	3	39 ⁵ / ₁₆	(998.5)	14 ⁵ / ₈	(371.5)	OLN714L3W	OLN714L13W^①	M	30	(14)
	6	39 ⁵ / ₁₆	(998.5)	22 ⁵ / ₈	(574.7)	OLN722L3W	OLN722L5W	M	40	(19)
	9	39 ⁵ / ₁₆	(998.5)	30 ¹ / ₈	(765.2)	OLN730C3W	OLN730C5W	M	45	(21)
	12	51 ⁵ / ₁₆	(1303.3)	37 ⁵ / ₈	(955.7)	OLN737L3W	OLN737L5W	M	50	(23)
	15	51 ⁵ / ₁₆	(1303.3)	45 ¹ / ₈	(1146.2)	OLN745C3W	OLN745C5W	M	65	(30)
	18	51 ⁵ / ₁₆	(1303.3)	52 ⁵ / ₈	(1336.7)	OLN752L3W	OLN752L5W	M	75	(34)

Applications: Citric and Phosphoric Acid Solutions, Caustic Solutions, Water Based Solutions

23 W/in² Alloy 800 (3.6 W/cm²)	3	39 ⁵ / ₁₆	(998.5)	22 ⁵ / ₈	(574.7)	OLNA22L3W	OLNA22L5W	M	40	(19)
	6	51 ⁵ / ₁₆	(1303.3)	37 ⁵ / ₈	(955.7)	OLNA37L3W	OLNA37L5W	M	50	(23)
	9	51 ⁵ / ₁₆	(1303.3)	52 ⁵ / ₈	(1336.7)	OLNA52L3W	OLNA52L5W	M	75	(34)

"O" Shaped

WATROD Description	kW	A		B		Part No.		Del.	Est. Ship. Wt.	
		in.	(mm)	in.	(mm)	240VAC 3-Phase	480VAC 3-Phase		lbs	(kg)
48 W/in² Alloy 800 (7.5 W/cm²)	3	39 ⁵ / ₁₆	(998.5)	10 ³ / ₄	(273)	ORN710N3W	ORN710N13W^①	M	30	(14)
	6	39 ⁵ / ₁₆	(998.5)	13 ¹ / ₂	(343)	ORN713J3W	ORN713J5W	M	40	(19)
	9	39 ⁵ / ₁₆	(998.5)	16	(406)	ORN716A3W	ORN716A5W	M	45	(21)
	12	51 ⁵ / ₁₆	(1303.3)	18 ¹ / ₂	(470)	ORN718J3W	ORN718J5W	M	50	(23)
	15	51 ⁵ / ₁₆	(1303.3)	21 ¹ / ₂	(546)	ORN721E3W	ORN721E5W	M	65	(30)
	18	51 ⁵ / ₁₆	(1303.3)	23 ¹ / ₂	(597)	ORN723J3W	ORN723J5W	M	75	(34)

Applications: Citric and Phosphoric Acid Solutions, Caustic Solutions, Water Based Solutions

23 W/in² Alloy 800 (3.6 W/cm²)	3	39 ⁵ / ₁₆	(998.5)	13 ¹ / ₂	(343)	ORNA13J3W	ORNA13J5W	M	40	(19)
	6	51 ⁵ / ₁₆	(1303.3)	18 ¹ / ₂	(470)	ORNA18J3W	ORNA18J5W	M	50	(23)
	9	51 ⁵ / ₁₆	(1303.3)	23 ¹ / ₂	(597)	ORNA23J3W	ORNA23J5W	M	75	(34)

• M - Manufacturing lead times

Truck Shipment only

① Must be operated 3-phase only.

Immersion Heaters

Over-the-Side Heaters

L and O Shaped Immersion Heaters

Ordering Information

Part Number

Stock Over-the-Side Part Number	Optional Terminal Enclosures	Optional Process Sensors	Sheath Limit Sensors

Stock Over-the-Side Part Number

Note: Catalog part numbers include optional enclosures and process sensors. To order optional enclosures or sensors, substitute the appropriate suffix.

Optional Terminal Enclosures

W=	Moisture-resistant enclosure
C=	Moisture/explosion-resistant enclosure

Note: Catalog listings include moisture resistant enclosure. Substitute enclosure options are noted.

Optional Process Sensors

2A=	30 to 250°F, (-1 to 121°C) SPST
3A=	175 to 550°F, (79 to 288°C) SPST
5A=	60 to 250°F, (16 to 121°C) DPST
7A=	100 to 550°F, (38 to 288°C) DPST
PJ=	Type J process thermocouple in thermowell
PK=	Type K process thermocouple in thermowell

Note: Thermostat part numbers are shown in the *Thermostat Chart* on page 537.

Sheath Limit Sensors

TJ=	Type J high-limit thermocouple, vertical/housing at top
TK=	Type K high-limit thermocouple, vertical/housing at top

Note: Heater orientation is critical to accurate sensing of limit conditions. Use the appropriate code to indicate heater mounting orientation.

Example Part Number: OLN714L3 W 2A TK

Immersion Heaters

FIREROD® Immersion Heaters

FIREROD® immersion heaters are ideal to replace large screw-plug immersion heaters. Packaging up to 300 W/in² (46.5 W/cm²) in a compact unit, these heaters are versatile when designed into a heating system.

FIREROD immersion heaters are complete with a stainless steel 3/4 inch National Pipe Thread Taper (NPT) double-threaded fitting which allows conduit boxes to be added. They are also sealed at the lead end with a silicone rubber seal.

Solid copper leads with silicone rubber sleeves are provided for unrestricted wiring. These heaters are recommended for immersion in water of 90+ percent water soluble solutions.

Performance Capabilities

- Maximum operating temperature in water up to 212°F (100°C) at atmospheric pressure
- Maximum watt density up to 300 W/in² (46.5 W/cm²)
- Maximum voltage up to 480VAC

Features and Benefits

Nickel-chromium resistance wire precisely centered in the unit

- Ensures even, efficient distribution of heat to the sheath

Magnesium oxide (MgO) insulation compacted to the proper density

- Results in high dielectric strength and contributes to faster heat-up

Alloy 800 sheath

- Resists water corrosion

Metallurgically-bonded conductor pins

- Overlap the resistance wire inside of the core to ensure trouble-free electrical continuity

Lead end with silicone rubber seal

- Protects the heater against moisture contamination

Stainless steel fittings

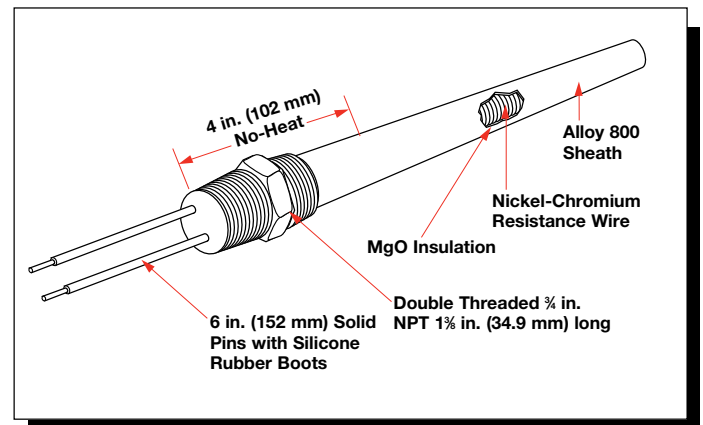
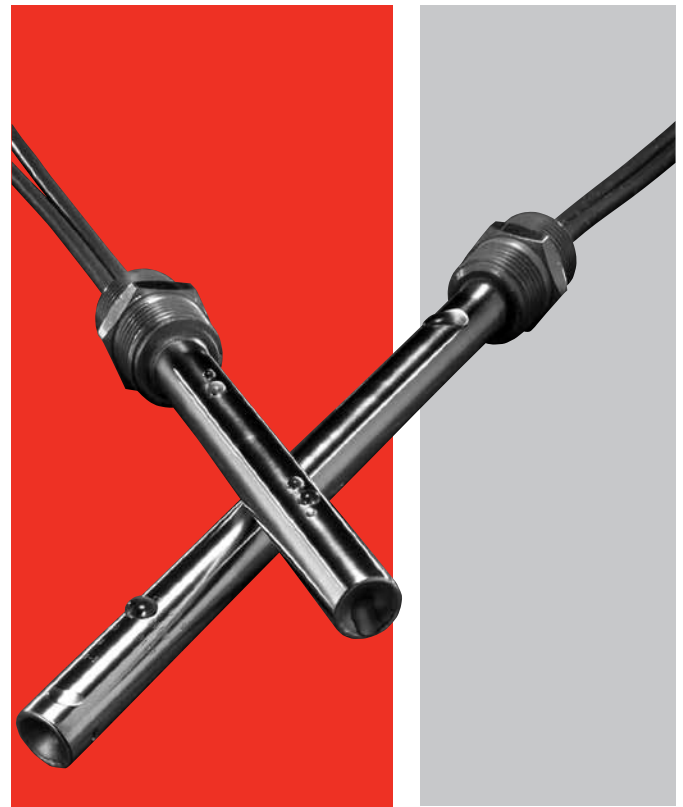
- Offer availability for use in corrosive applications

Horizontal through the wall tank mounting

- Provides faster set-up

240 and 480VAC voltage

- Allows wiring flexibility for heater use in particular applications



Typical Applications

- Plastic reclamation
- Food preparation
- Lab equipment

Immersion Heaters

FIREROD Immersion Heaters

Applications and Technical Data

The small size and large capacity of FIREROD immersion heaters are ideal for use in cramped quarters. When heating liquids of low viscosity, FIREROD heaters have high watt density to pack more heat into tight spots. For water heating applications, a rating of 150 to 300 W/in² is recommended. Laboratory tests show that under certain conditions, ratings as high as 700 W/in² are safe. For longer life at high watt densities, the FIREROD heater:

- Should not be contained in the main body of the liquid or in a restricted space
- Should be covered with liquid at all times
- Should not be allowed to cycle on and off too frequently
- Should not form scale build up

When heating viscous liquids, such as oils, watt densities must be kept low to prevent carbonization at the heater sheath. FIREROD cartridges offer advantages for heating viscous materials where long life and high quality outweigh usual economic considerations.

As in all immersion applications, scale build-up on the sheath and sludge on the bottom of the tank must be carefully controlled to ensure long heater life.

Equipped with smaller threaded fittings than conventional immersion heaters, FIREROD heaters leave space for more units in the same location. Replacement of single FIREROD units in multiheater assemblies is fast and easy to avoid discarding the complete assembly.

Moisture resistant seals are available for protection against damp atmospheres.

Threaded fittings are furnished in either stainless steel or available in brass as an extended offering. FIREROD heaters are designed with alloy 800 sheaths, however, other sheath materials can be provided on made-to-order FIREROD units.

Fittings and sheath material should be appropriate for the specific liquid material being heated.

Sheath Material Compositions

Sheath Material	Chemical Composition															
	Al	C	Co	Cr	Cu	Fe	Mn	Mo	Ni	P	S	Si	Ta	Ti	V	W
Nickel Alloys																
Alloy 800	0.15-0.6	0.1		19-23	0.75	Bal	1.5		30-35		0.015	1.0		0.15-0.6		
Stainless Steels																
304		0.08 ^①		18-20		Bal	2 ^①		8-12			1 ^①				
316		0.08 ^①		16-18		Bal	2 ^①	2-3	10-14			1 ^①				

^① Maximum

Immersion Heaters

FIREROD Immersion Heaters

Heater Part Numbers With Stainless Steel Fittings

Diameter in.	Overall Length in. (mm)	Volts	Watts	Watt Density W/in ² (W/cm ²)	Approx. Net Wt. lbs (kg)	Delivery	Part Number
5/8	6 ¹ / ₄ (159)	120	500	127 (19.7)	0.58 (0.26)	RS	L6EX12B
	6 ¹ / ₄ (159)	240	500	127 (19.7)	0.58 (0.26)	RS	L6EX13B
	6 ¹ / ₄ (159)	120	750	191 (29.6)	0.58 (0.26)	RS	L6EX14B
	6 ¹ / ₄ (159)	240	750	191 (29.6)	0.58 (0.26)	RS	L6EX15B
	6 ¹ / ₄ (159)	120	1,000	254 (39.4)	0.58 (0.26)	RS	L6EX16B
	6 ¹ / ₄ (159)	240	1,000	254 (39.4)	0.58 (0.26)	RS	L6EX17B
	6 ³ / ₄ (172)	240	1,500	300 (46.5)	0.60 (0.27)	RS	L6NX7B
	6 ³ / ₄ (172)	480	1,500	300 (46.5)	0.60 (0.27)	M	L6NX8B
	7 ³ / ₄ (197)	240	2,000	291 (45.1)	0.66 (0.30)	RS	L7NX5B
	7 ³ / ₄ (197)	480	2,000	291 (45.1)	0.66 (0.30)	M	L7NX6B
	8 ¹ / ₂ (216)	240	2,500	300 (46.5)	0.68 (0.31)	RS	L8JX16B
	8 ¹ / ₂ (216)	480	2,500	300 (46.5)	0.68 (0.31)	M	L8JX17B
	9 ¹ / ₄ (235)	240	3,000	300 (46.5)	0.72 (0.33)	RS	L9EX11B
	9 ¹ / ₄ (235)	480	3,000	300 (46.5)	0.72 (0.33)	RS	L9EX12B
	11 (279)	240	4,000	300 (46.5)	0.80 (0.36)	RS	L11AX59B
	11 (279)	480	4,000	300 (46.5)	0.80 (0.36)	RS	L11AX60B
	12 ³ / ₄ (324)	240	5,000	300 (46.5)	0.89 (0.41)	RS	L12NX4B
	12 ³ / ₄ (324)	480	5,000	300 (46.5)	0.89 (0.41)	RS	L12NX5B
	14 ¹ / ₂ (368)	240	6,000	300 (46.5)	0.95 (0.43)	RS	L14JX8B
	14 ¹ / ₂ (368)	480	6,000	300 (46.5)	0.95 (0.43)	M	L14JX9B
	18 (457)	240	8,000	295 (45.7)	1.14 (0.52)	M	L18AX43B
	18 (457)	480	8,000	295 (45.7)	1.14 (0.52)	M	L18AX44B
	21 ¹ / ₄ (540)	240	10,000	300 (46.5)	1.30 (0.59)	M	L21EX1B
	21 ¹ / ₄ (540)	480	10,000	300 (46.5)	1.30 (0.59)	M	L21EX2B
	24 ³ / ₄ (629)	480	12,000	300 (46.5)	1.50 (0.68)	M	L24NX1B
	29 ³ / ₄ (756)	480	15,000	300 (46.5)	1.80 (0.82)	M	L29NX5B
	35 (889)	480	18,000	300 (46.5)	2.00 (0.91)	M	L35AX5B

RAPID SHIP

- RS - Next day shipment
- M - Manufacturing lead times

Immersion Heaters

**EXTENDED
CAPABILITY**

FIREROD Immersion Heaters

Heater Part Numbers With Brass Fittings

Diameter in.	Overall Length		Volts	Watts	Watt Density		Approx. Net Wt.		Delivery	Part Number
	in.	(mm)			W/in ²	(W/cm ²)	lbs	(kg)		
5/8	6 1/4	(159)	120	500	127	(19.7)	0.58	(0.26)	M	L6EX12A
	6 1/4	(159)	240	500	127	(19.7)	0.58	(0.26)	M	L6EX13A
	6 1/4	(159)	120	750	191	(29.6)	0.58	(0.26)	M	L6EX14A
	6 1/4	(159)	240	750	191	(29.6)	0.58	(0.26)	M	L6EX15A
	6 1/4	(159)	120	1,000	254	(39.4)	0.58	(0.26)	M	L6EX16A
	6 1/4	(159)	240	1,000	254	(39.4)	0.58	(0.26)	M	L6EX17A
	6 3/4	(172)	240	1,500	300	(46.5)	0.60	(0.27)	M	L6NX7A
	6 3/4	(172)	480	1,500	300	(46.5)	0.60	(0.27)	M	L6NX8A
	7 3/4	(197)	240	2,000	291	(45.1)	0.66	(0.30)	M	L7NX5A
	7 3/4	(197)	480	2,000	291	(45.1)	0.66	(0.30)	M	L7NX6A
	8 1/2	(216)	240	2,500	300	(46.5)	0.68	(0.31)	M	L8JX16A
	8 1/2	(216)	480	2,500	300	(46.5)	0.68	(0.31)	M	L8JX17A
	9 1/4	(235)	240	3,000	300	(46.5)	0.72	(0.33)	M	L9EX11A
	9 1/4	(235)	480	3,000	300	(46.5)	0.72	(0.33)	M	L9EX12A
	11	(279)	240	4,000	300	(46.5)	0.80	(0.36)	M	L11AX59A
	11	(279)	480	4,000	300	(46.5)	0.80	(0.36)	M	L11AX60A
	12 3/4	(324)	240	5,000	300	(46.5)	0.89	(0.41)	M	L12NX4A
	12 3/4	(324)	480	5,000	300	(46.5)	0.89	(0.41)	M	L12NX5A
	14 1/2	(368)	240	6,000	300	(46.5)	0.95	(0.43)	M	L14JX8A
	14 1/2	(368)	480	6,000	300	(46.5)	0.95	(0.43)	M	L14JX9A
18	(457)	240	8,000	295	(45.7)	1.14	(0.52)	M	L18AX43A	
18	(457)	480	8,000	295	(45.7)	1.14	(0.52)	M	L18AX44A	
21 1/4	(540)	240	10,000	300	(46.5)	1.30	(0.59)	M	L21EX1A	
21 1/4	(540)	480	10,000	300	(46.5)	1.30	(0.59)	M	L21EX2A	
24 3/4	(629)	480	12,000	300	(46.5)	1.50	(0.68)	M	L24NX1A	
29 3/4	(756)	480	15,000	300	(46.5)	1.80	(0.82)	M	L29NX5A	
35	(889)	480	18,000	300	(46.5)	2.00	(0.91)	M	L35AX5A	

• **M** - Manufacturing lead times

Circulation Heaters

Circulation Heaters	Sheath Materials	Max. Operating Temperatures		Typical Max. Watt Densities		Page
		°F	°C	W/in ²	W/cm ²	
STARFLOW™	316L stainless steel	1000	537	30	4.6	329
WATROD™ and FIREBAR®	Alloy 800/840	1600	870	120	18.6	331
	Stainless steel	1200	650	120	18.6	
	Steel	750	400	120	18.6	
	Alloy 800	350	175	120	18.6	
Booster Heaters	Alloy 800	350	175	60	9.3	377
	Steel	750	400	23	3.6	
Engine Preheaters	Alloy 800	1600	870	90	13.9	379





Circulation Heaters

STARFLOW™ Heaters

The STARFLOW™ circulation heater is engineered to heat a flowing gas stream to 1000°F (537°C). The 316L stainless steel chamber houses a small diameter sheathed element, which allows for quick response to both heat-up and cool down cycles.

Watlow's starwound, coiled cable heater provides extremely efficient and reliable heating by maximizing the contact area of the gas or fluid with the element. Because the element is sheathed, the unit can operate in gas streams requiring a clean environment as well as atmospheres containing contaminants and moisture. This provides superior performance compared to units with internally exposed or open element wires.

Performance Capabilities

- Temperatures up to 1000°F (537°C), 316L stainless steel sheath
- Maximum watt densities up to 30 W/in² (4.7 W/cm²)
- Maximum voltage up to 240V

Features and Benefits

Small diameter heater

- Allows for quick response time

Internal starwound element

- Provides fast, efficient heating

Sheathed element

- Provides the ability to heat in clean or impure streams

Flexibility in configurations

- Allows for adaptability to any process

316L stainless steel

- Provides a rugged and corrosion resistant construction

Electropolishing available on all wetted surface

- Reduces particulate contamination

Note: Contact your Watlow representative for ultra-high purity applications

Low pressure loss

- Minimizes flow restriction

Note: Not suitable for use as a pressure vessel

Type J or K thermocouples

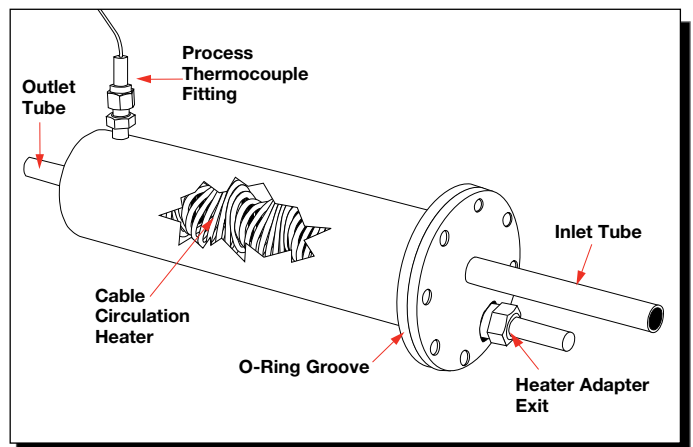
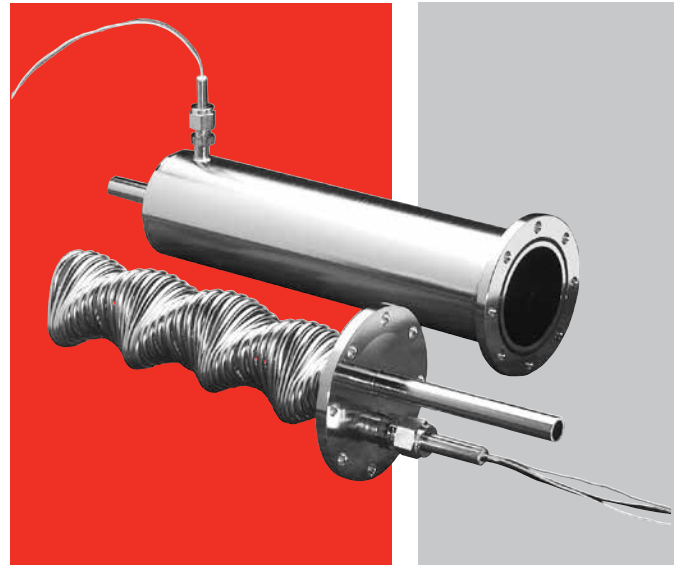
- Provide precise control and high-limit safety

Replaceable heater and thermocouple

- Reduces replacement cost

Shipment from stock

- Reduces downtime

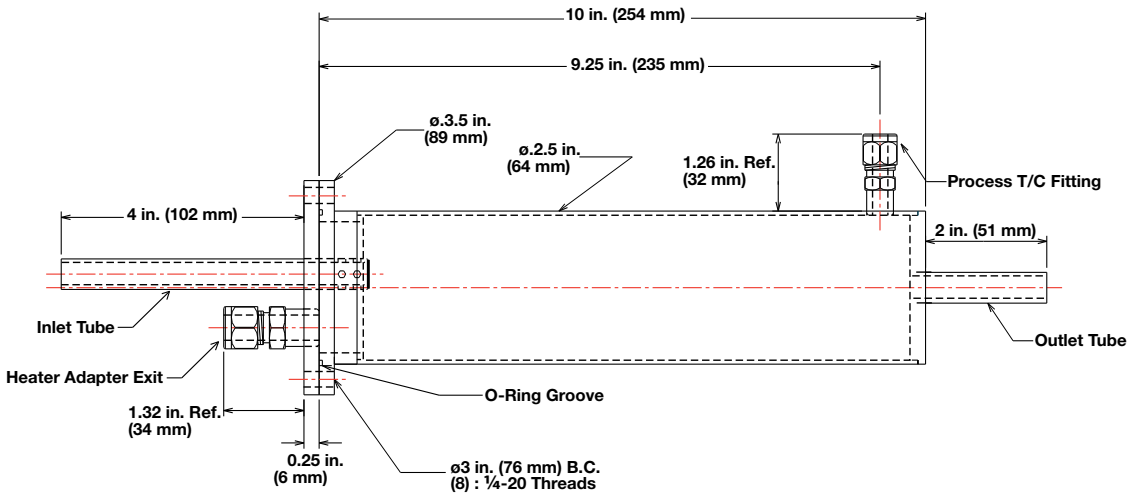


Typical Applications

- Semiconductor processing
- Curing and drying
- Electronics
- Heat shrinking
- Thermoforming/sealing

Circulation Heaters

STARFLOW Heaters



Ordering Information

Part Number

①	②	③ ④	⑤ ⑥	⑦ ⑧ ⑨ ⑩	⑪	⑫	⑬	⑭
C	H	Type of Inlet	Type of Outlet	Heater Wattage	Internal T/C Calibration (Heater)	Surface Finish of Assembly and Heater	Process T/C Calibration (Assembly)	O-Ring Material

③ ④ Type of Inlet	
ET =	1/4 in. (6 mm) O.D. tube
JT =	1/2 in. (13 mm) O.D. tube

⑤ ⑥ Type of Outlet	
ET =	1/4 in. (6 mm) O.D. tube
JT =	1/2 in. (13 mm) O.D. tube

⑦ ⑧ ⑨ ⑩ Heater Wattage	
0375 =	120V, 375 W
0500 =	120V, 500 W
0750 =	120V, 750 W
1500 =	240V, 1500 W
2000 =	240V, 2000 W
3000 =	240V, 3000 W

⑪ Internal Thermocouple Calibration (Heater)	
J =	Type J
K =	Type K

⑫ Surface Finish of Assembly and Heater	
X =	Unfinished
E =	Electropolished

⑬ Process Thermocouple Calibration (Assembly)	
J =	Type J
K =	Type K

⑭ O-Ring Material	
A =	FKM (FPM) 500°F (260°C)
M =	Alloy X750 1300°F (704°C)
T =	PTFE encapsulated FKM (FPM) 392°F (200°C)

RAPID SHIP

• Next day shipment

Circulation Heaters

WATROD™ and FIREBAR® Circulation Heaters

Circulation heaters provide a ready-made means to install electric heating with a minimal amount of time and labor. This is accomplished by combining heating elements, vessel, insulation, terminal enclosure, mounting brackets and inlet and outlet connections into a complete assembly.

Made from NPT screw plug or ANSI flange heater assemblies mated with a pressure vessel (tank), circulation heaters are designed to heat forced-circulation air, gases or liquids. Ideal for either in-line or side-arm operations, these assemblies direct fluids past FIREBAR® or WATROD™ heating elements, to deliver fast response and even heat distribution.

Watlow® meets virtually all your circulation heater assembly needs with made-to-order units. These units can be made from a wide range of heating element sheath materials, wattages, vessel sizes and materials, pressure ratings, terminal enclosures and controls.

Performance Capabilities

- Watt densities up to 120 W/in² (18.6 W/cm²)
- Wattages up to three megawatts
- UL® and CSA component recognition up to 690VAC
- Ratings up to ANSI Class 600 pressure class
- Alloy 800/840 sheath temperatures up to 1600°F (870°C)
- Passivated 316 stainless steel sheath temperatures up to 1200°F (650°C)
- Steel sheath temperatures up to 750°F (400°C)

Features and Benefits

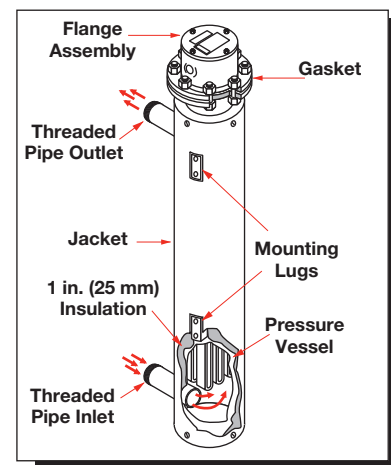
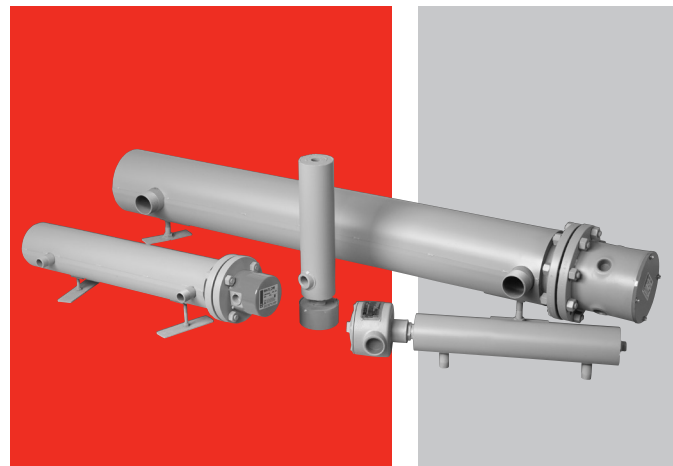
Catalog screw plug and flange part numbers

- Provides a wide selection of WATROD and FIREBAR elements to meet specific application requirements

Type	Sizes (in.)
NPT Screw Plugs	1 ¹ / ₄ , 2 ¹ / ₂
ANSI flanges	3, 4, 5, 6, 8, 10, 12, 14

ANSI B16.5 Class 150 on 4 or 6 inch FIREBAR element flanges and 3 to 14 inch WATROD element flanges

- Meets recognized agency standards



FIREBAR assemblies pack more wattage in a smaller heater bundle

- Replaces larger flanges with round tubular elements, with a smaller package

Compacted MgO insulation filled elements

- Maximizes dielectric strength, heat transfer and life

1 inch (25 mm) thermal insulation rated to 750°F (400°C)

- Reduces heat loss from the vessel

Heavy-gauge steel jacket (shroud)

- Protects thermal insulation and heating vessel and comes with protective primer coating

Circulation Heaters

WATROD and FIREBAR Circulation Heaters

Features and Benefits *(Continued)*

All catalog units rated to ANSI pressure Class 150

- Provides pressure vessels (tanks) that are either carbon, 304 or 316 stainless steel

Standard offering includes units rated for up to and including ANSI pressure class 600 (application review required)

- Provides pressure vessels (tanks) available in carbon steel, 304 or 316 stainless steel materials
- Includes schedule 40, standard and 80 pipe used in the pressure vessel construction

Catalog units provided with NPT or ANSI Class 150 nozzle connection

- Makes installation easy. Inlet and outlet nozzle connections are threaded MNPT on 8 in. (203 mm) and smaller tanks. Class 150 flanged connections on 10 in. (254 mm) and larger tanks

Mounting lugs are welded onto the tank wall of all 2½ in. (64 mm) NPT and larger units

- Provides mounting support

General purpose, moisture resistant, enclosures available

- Offers easy access to terminal wiring

Options

Terminal Enclosures

General purpose terminal enclosures, without thermostats, are supplied on all Watlow circulation heaters. Moisture and explosion resistant ratings are available to meet specific application needs. For screw plug terminal enclosures, refer to page 171. For flange terminal enclosures, refer to page 243.

Stand-off Terminal Enclosures

Stand-off terminal enclosures help protect terminal enclosures against excessive temperatures. For details, refer to page 239.

ASME Pressure Vessel Code Welding

Flange or screw plug assemblies can be provided with an ASME Section VIII, Div. I pressure vessel stamp upon request.

Branch Circuits

Branch circuits are designed for 48 amperes per circuit maximum. Contact your Watlow representative for circuit requirements other than those listed in the stock charts.

Flange mounting holes

- Straddles centerline to comply with industry standards

UL® and CSA component recognition under file numbers E52951 and 31388 respectively

- Meets industry safety standards

Typical Applications

Water:

- Deionized
- Demineralized
- Clean
- Potable
- Process
- Industrial water rinse tanks
- Hydraulic oil, crude, asphalt
- Lubricating oils at API specified watt densities
- Heat transfer oil
- Paraffin
- Caustic cleaners
- Nitrogen, hydrogen and other air/gas systems
- Superheating steam

Certified Enclosures

CSA, ATEX or IECEx certified enclosures protect wiring in hazardous gas environments. These terminal enclosures, covered under CSA file number 61707, ATEX certificate # SIRA 10ATEX 1155X or IECEx certificate # IECEx CSA 09.0010 are available on WATROD flange heaters. For additional information, see page 567 and 568 or contact your Watlow representative.

For products that will be installed in hazardous locations, please provide the following information:

- Operating conditions
- Minimum and maximum ambient temperatures for the installation location
- Mounting orientation

Watlow must understand this information so that an appropriate design can be provided.

Thermostats

To provide process temperature control, Watlow offers optional single- and double-pole thermostats. Thermostats are typically mounted in the terminal enclosure. Optional side mounting on vessel also available.

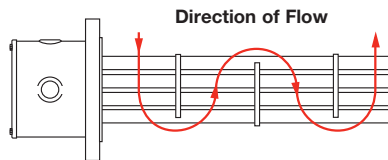
See *Screw Plug Immersion Heaters*, page 167 and *Flange Immersion Heaters*, on page 239 for details.

Circulation Heaters

WATROD and FIREBAR Circulation Heaters

Options (Continued)

Baffles



Baffles mounted on the heating element bundle enhance and/or modify liquid or gas flow for better heat transfer.

For critical sheath temperature and low flow conditions, baffles may be required.

Contact your Watlow representative for details.

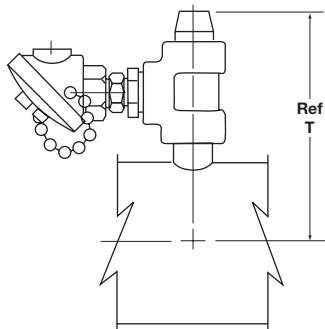
Thermocouples

To sense process or element sheath temperature, ASTM Type J or K thermocouples are available.

See *Screw Plug Immersion Heaters*, page 168 and *Flange Immersion Heaters*, on page 239 for details.

Process Thermocouple in Nozzle

(Must specify which nozzle)



Ref. Tank Size	Ref. Nozzle Size	Dimension "A"
1 ¹ / ₄	³ / ₄ NPT	8 ³ / ₁₆
2 ¹ / ₂	1 NPT	8 ³ / ₁₆
3	1 NPT	8 ³ / ₁₆
4	1 ¹ / ₂ NPT	10 ³ / ₈
5	2 NPT	11 ¹ / ₁₆
6	2 ¹ / ₂ NPT	13 ³ / ₈
8	2 ¹ / ₂ NPT	14 ³ / ₈

For 10 in. (254 mm) and larger tanks contact your Watlow representative for dimension.

Sheath Materials

The following sheath materials are available on WATROD and FIREBAR heating elements:

Standard Sheath Materials

WATROD	Alloy 800/840 316 SS Steel
FIREBAR	Alloy 800, 304 SS

Made-to-Order Sheath Materials

WATROD	304 SS Alloy 600 Titanium Hastelloy C276
---------------	---

Wattages and Voltages

Watlow routinely supplies circulation heaters with 120 to 690VAC as well as wattages from 500 watts to one megawatt. If required, Watlow will configure circulation heaters with voltages and wattages outside these parameters.

For more information on special voltage and wattage configurations, contact your Watlow representative.

Circulation Heaters

WATROD and FIREBAR Circulation Heaters

Options (Continued)

Pressure Vessels

All catalog pressure vessel (tank) materials consist of standard schedule and 150# class forged fittings and are made from one of the following materials:

- Carbon steel
- 316 stainless steel

All catalog pressure vessels (tanks) are steel unless otherwise noted.

316 stainless steel pressure vessels (tanks) are passivated on all wetted surfaces. Available from Assembly Stock on 2¹/₂ inch NPT and 4 or 6 inch ANSI flange circulation heaters.

Passivated Finish

For critical applications, passivation will remove free iron from all wetted surfaces.

Contact your Watlow representative for details.

Gaskets

Rubber, asbestos-free and spiral wound gaskets are available for all heater flange, and inlet and outlet flange sizes.

Watlow recommends ordering spares in case replacement becomes necessary.

To order, specify **gasket type, flange size/rating** and **process operating temperature**.

For details on gasket materials and temperature ratings, see page 240.

Inlet and Outlet Nozzle Connections

All inlet and outlet materials are compatible with the pressure vessel material and pressure class rating.

Vessel sizes from 1¹/₄ to 8 inches are typically configured with MNPT (Male National Pipe Thread) nozzles. Optional NPT and flange sizes can be supplied to mate with existing piping.

10 inch and larger vessels are supplied with Class 150 inlet and outlet flanges. Optional Class 300 or Class 600 can be provided to mate with existing piping.

To order, specify **type, size** and **pressure class** rating for both inlet and outlet nozzle/flange connections.

Protective Steel Jacket (Shroud)

To protect circulation heaters from weather or wash-down conditions, partially welded (standard) outer protective steel jackets are available. Standard steel, or made-to-order 304 or 316 stainless steel or aluminum can be supplied. Jacket diameter is dependent upon thermal insulation thickness.

To order, specify **protective steel jacket, material type** and **weatherproof**, if desired.

Circulation Heaters

WATROD and FIREBAR Circulation Heaters

Technical Data

Maximum Velocities

The rate at which a gas or liquid flows through inlet and outlet pipes is critical to maintaining the desired output temperature. Pressure drop through the circulation heater must be considered to properly size blowers or pumps. The *Maximum Velocity to Avoid Excessive Pressure Drop* chart gives recommended maximum velocities, in feet per second and meters per second of gas or liquid being heated and nominal pipe size.

Maximum Velocity to Avoid Excessive Pressure Drop

Fluid	Nominal Pipe Size in.	Maximum Velocity	
		ft/sec	(m/sec)
Gases	All	200	(61.0)
Liquid	4 and smaller	10	(3.0)
Liquid	6-8	15	(5.0)
Liquid	10-12	19	(6.0)
Liquid	14-16	21	(6.4)
Liquid	18-20	23	(7.0)
Liquid	24	24	(7.3)

Vessel Orientation Guidelines

Correctly orienting the heating vessel assures lower terminal enclosure temperatures and element immersion. Detailed instructions on vessel orientation are contained in the *Installation and Maintenance Instructions* that accompanies all circulation heaters.

The following are guidelines for vessel orientation in liquid and gas heating applications.

Liquids

Orient circulation heater:

- Horizontally with inlet and outlet pipes pointing up
- Vertically with the terminal enclosure up and the inlet pipe on the bottom

These orientations ensure the heating elements will be immersed at all times and help prevent premature failure.

Air or Gases

Orient circulation heater:

- Horizontally with the inlet nozzle closest to the terminal enclosure
- Vertically with terminal enclosure at the bottom of the tank. Use the nozzle nearest the bottom as the inlet connection

If installation constraints do not allow mounting in accordance with these guidelines, contact your Watlow representative.

Application Hints

- Select the recommended heating element sheath material and watt density for the substance being heated. Use the *Supplemental Applications Chart* on pages 555 to 558. If unable to determine the correct heating element type and material, contact your Watlow representative.
- Assure selecting proper vessel by considering the pressure or flow rate, process temperature and corrosiveness of the media being heated. If assistance with vessel selection is required, contact your Watlow representative.
- For maintenance/replacement procedures, retain an area twice the circulation heater's overall length to permit easy removal and inspection of screw plug or flange heater assemblies.
- Choose a FIREBAR assembly when you require:
 - A smaller package
 - More kilowatts or lower watt density in an equally sized WATROD circulation tank
- Minimize problems associated with low flow or low liquid level conditions with a low liquid level sensor and/or sheath high-limit control.
- Ensure wiring integrity by making sure terminal enclosure temperature does not exceed 400°F (205°C).
- Size power feeder wires in accordance with national electrical code guidelines and other applicable codes.
- Protect against electrical shock by properly grounding the unit per NEC requirements.
- One or more circulation heaters may be connected in series to achieve the desired total kilowatt or temperature output.

WATROD and FIREBAR Circulation Heaters

Performance Capabilities

- Up to 3000psi design pressure

Features and Benefits

Offering includes units rated above ANSI pressure class 600

- Pressure vessel tanks are available in “H” series stainless steel, Titanium, alloy 800, alloy 600, Chrome Moly, alloy 400, Duplex and 321 stainless steel

Options

Exotic Sheath Materials

Contact your Watlow representative for details and availability.

Pressure Vessels

Made-to-order units can be made in a variety of materials, flange sizes and pressure classes.

To order, specify **pressure vessel (tank) size, material and pressure class**.

Ratings to ANSI class 2500 pressure class are available for high-pressure applications.

High-Temperature Thermal Insulation

To further minimize heat loss, the pressure vessel's standard one inch thermal insulation wrap may be replaced with thicker or higher temperature insulation. For more information, contact your Watlow representative.

To order, specify **insulation thickness, standard or high temperature insulation and temperature rating**.

Vessels may be supplied with a primer coating without insulation.

To order, specify **no insulation**.

Support Saddles

To mate with an existing installation, customized support saddle(s) and/or mounting lugs are available.

To order, specify **mounting lugs or support saddles** and supply a dimensional drawing.

Circulation Heaters

WATROD and FIREBAR Circulation Heaters

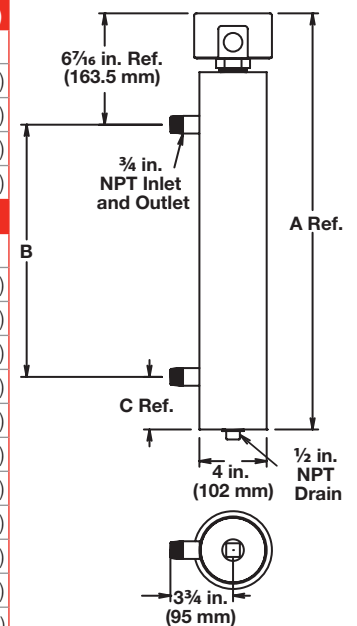


Application: Clean Water[®]

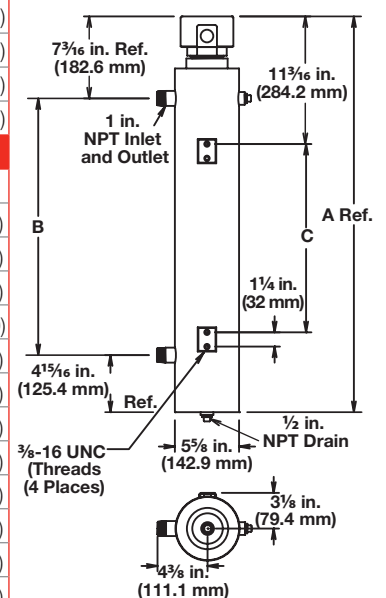
- WATROD or FIREBAR elements
- Without thermostat
- General purpose enclosure

Description	Volts	kW	Ph	# Circ.	Part Number	Del.	Ship Wt. lbs (kg)	"A" Dim. in. (mm)	"B" Dim. in. (mm)	"C" Dim. in. (mm)
1 1/4 inch NPT Screw Plug (WATROD)										
60 W/in² Steel Tank 2-Alloy 800 Elements (9.3 W/cm²)	120/240	3.0	1	1	CBEN15A6S	RS	23 (11)	24 ⁵ / ₈ (625.5)	15 (381)	3 ¹ / ₈ (79.4)
	240	4.0	1	1	CBEN19A10S	RS	29 (14)	24 ⁵ / ₈ (625.5)	15 (381)	3 ¹ / ₈ (79.4)
	240	5.0	1	1	CBEN23J10S	RS	29 (14)	32 ⁵ / ₈ (828.7)	23 (584)	3 ¹ / ₈ (79.4)
	240	6.0	1	1	CBEN27J10S	RS	31 (14)	32 ⁵ / ₈ (828.7)	23 (584)	3 ¹ / ₈ (79.4)
1 1/4 inch NPT Screw Plug (FIREBAR)										
90 W/in² Steel Tank 1-Alloy 800 Element (14 W/cm²)	240	1.5	1	1	CBDNF7R10S	M	26 (12)	24 ⁵ / ₈ (625.5)	15 (381)	3 ¹ / ₈ (79.4)
	480	1.5	1	1	CBDNF7R11S	M	26 (12)	24 ⁵ / ₈ (625.5)	15 (381)	3 ¹ / ₈ (79.4)
	240	3.0	1	1	CBDNF11G10S	M	26 (12)	24 ⁵ / ₈ (625.5)	15 (381)	3 ¹ / ₈ (79.4)
	480	3.0	1	1	CBDNF11G11S	M	26 (12)	24 ⁵ / ₈ (625.5)	15 (381)	3 ¹ / ₈ (79.4)
	240	5.0	3	1	CBDNF16G3S	M	26 (12)	24 ⁵ / ₈ (625.5)	15 (381)	3 ¹ / ₈ (79.4)
	480	5.0	3	1	CBDNF16G5S	M	26 (12)	24 ⁵ / ₈ (625.5)	15 (381)	3 ¹ / ₈ (79.4)
	240	6.5	3	1	CBDNF19G3S	M	30 (14)	32 ⁵ / ₈ (828.7)	23 (584)	3 ¹ / ₈ (79.4)
	480	6.5	3	1	CBDNF19G5S	M	30 (14)	32 ⁵ / ₈ (828.7)	23 (584)	3 ¹ / ₈ (79.4)
	240	8.5	3	1	CBDNF24L3S	M	31 (14)	32 ⁵ / ₈ (828.7)	23 (584)	3 ¹ / ₈ (79.4)
	480	8.5	3	1	CBDNF24L5S	M	31 (14)	32 ⁵ / ₈ (828.7)	23 (584)	3 ¹ / ₈ (79.4)
	240	10.5	3	1	CBDNF29R3S	M	43 (20)	42 ⁵ / ₈ (1082.7)	32 (813)	4 ³ / ₈ (111.1)
	480	10.5	3	1	CBDNF29R5S	M	43 (20)	42 ⁵ / ₈ (1082.7)	32 (813)	4 ³ / ₈ (111.1)
	240	12.7	3	1	CBDNF34R3S	M	44 (20)	42 ⁵ / ₈ (1082.7)	32 (813)	4 ³ / ₈ (111.1)
	480	12.7	3	1	CBDNF34R5S	M	44 (20)	42 ⁵ / ₈ (1082.7)	32 (813)	4 ³ / ₈ (111.1)
	240	17.0	3	1	CBDNF45G3S	M	69 (32)	63 ⁵ / ₈ (1616.1)	53 (1346)	4 ³ / ₈ (111.1)
	480	17.0	3	1	CBDNF45G5S	M	69 (32)	63 ⁵ / ₈ (1616.1)	53 (1346)	4 ³ / ₈ (111.1)
480	21.5	3	1	CBDNF55R5S	M	71 (33)	63 ⁵ / ₈ (1616.1)	53 (1346)	4 ³ / ₈ (111.1)	
2 1/2 inch NPT Screw Plug (WATROD)										
60 W/in² Steel Tank 3-Alloy 800 Elements (9.3 W/cm²)	240	6.0	3	1	CBLN714L3S	RS	24 (11)	34 ³ / ₄ (881)	22 ¹ / ₂ (572)	16 ¹ / ₂ (419)
	480	6.0	3	1	CBLN714L5S	RS	24 (11)	34 ³ / ₄ (881)	22 ¹ / ₂ (572)	16 ¹ / ₂ (419)
	240	7.5	3	1	CBLN717L3S	RS	24 (11)	34 ³ / ₄ (881)	22 ¹ / ₂ (572)	16 ¹ / ₂ (419)
	480	7.5	3	1	CBLN717L5S	RS	24 (11)	34 ³ / ₄ (881)	22 ¹ / ₂ (572)	16 ¹ / ₂ (419)
	240	9.0	3	1	CBLN720L3S	RS	26 (12)	34 ³ / ₄ (881)	22 ¹ / ₂ (572)	16 ¹ / ₂ (419)
	480	9.0	3	1	CBLN720L5S	RS	26 (12)	34 ³ / ₄ (881)	22 ¹ / ₂ (572)	16 ¹ / ₂ (419)
	240	12.0	3	1	CBLN726C3S	RS	27 (13)	44 ³ / ₄ (1135)	32 ¹ / ₂ (826)	26 ¹ / ₂ (673)
	480	12.0	3	1	CBLN726C5S	RS	27 (13)	44 ³ / ₄ (1135)	32 ¹ / ₂ (826)	26 ¹ / ₂ (673)
	240	15.0	3	1	CBLN731L3S	RS	29 (14)	44 ³ / ₄ (1135)	32 ¹ / ₂ (826)	26 ¹ / ₂ (673)
	480	15.0	3	1	CBLN731L5S	RS	29 (14)	44 ³ / ₄ (1135)	32 ¹ / ₂ (826)	26 ¹ / ₂ (673)
	240	18.0	3	1	CBLN737C3S	RS	30 (14)	57 ¹ / ₄ (1453)	45 (1143)	39 (991)
	480	18.0	3	1	CBLN737C5S	RS	30 (14)	57 ¹ / ₄ (1453)	45 (1143)	39 (991)

1 1/4 inch NPT Screw Plug



2 1/2 inch NPT Screw Plug



RAPID SHIP

- RS - Next day shipment up to 5 pieces
- M - Manufacturing lead times

WATLOW[®]

- ④ Wired for higher voltage
- ⑤ When steel vessel materials are used in this application, some rust may be present in the process media

Circulation Heaters

WATROD and FIREBAR Circulation Heaters

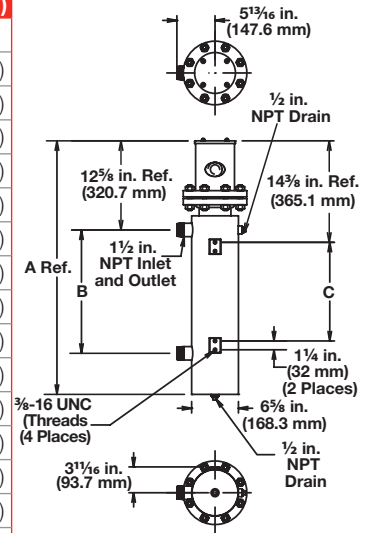


Application: Clean Water ⑤

- WATROD or FIREBAR elements
- Without thermostat
- General purpose enclosure

Description	Volts	kW	Ph	# Circ.	Part Number	Del.	Ship Wt. lbs (kg)	"A" Dim. in. (mm)	"B" Dim. in. (mm)	"C" Dim. in. (mm)
4 inch - 150 lb ANSI Flange (WATROD)										
60 W/in² Steel Tank 6-Alloy 800 Elements (9.3 W/cm²)	240	12.0	1	2	CFON715J10S	M	124 (57)	39 (989)	20 ¹ / ₂ (521)	17 (432)
	240	12.0	3	1	CFON715J3S	M	124 (57)	39 (989)	20 ¹ / ₂ (521)	17 (432)
	480	12.0	1	1	CFON715J11S	M	124 (57)	39 (989)	20 ¹ / ₂ (521)	17 (432)
	480	12.0	3	1	CFON715J5S	M	124 (57)	39 (989)	20 ¹ / ₂ (521)	17 (432)
	240	18.0	1	2	CFON721J10S	M	127 (58)	39 (989)	20 ¹ / ₂ (521)	17 (432)
	240	18.0	3	1	CFON721J3S	M	127 (58)	39 (989)	20 ¹ / ₂ (521)	17 (432)
	480	18.0	1	1	CFON721J11S	M	127 (58)	39 (989)	20 ¹ / ₂ (521)	17 (432)
	480	18.0	3	1	CFON721J5S	M	127 (58)	39 (989)	20 ¹ / ₂ (521)	17 (432)
	240	24.0	1	2	CFON727A10S	M	160 (73)	49 ¹ / ₂ (1256)	31 (787)	27 ¹ / ₂ (699)
	240	24.0	3	2	CFON727A3S	M	160 (73)	49 ¹ / ₂ (1256)	31 (787)	27 ¹ / ₂ (699)
	480	24.0	1	1	CFON727A11S	M	160 (73)	49 ¹ / ₂ (1256)	31 (787)	27 ¹ / ₂ (699)
	480	24.0	3	1	CFON727A5S	M	160 (73)	49 ¹ / ₂ (1256)	31 (787)	27 ¹ / ₂ (699)
	240	30.0	3	2	CFON732J3S	M	163 (74)	49 ¹ / ₂ (1256)	31 (787)	27 ¹ / ₂ (699)
	480	30.0	1	2	CFON732J11S	M	163 (74)	49 ¹ / ₂ (1256)	31 (787)	27 ¹ / ₂ (699)
	480	30.0	3	1	CFON732J5S	M	163 (74)	49 ¹ / ₂ (1256)	31 (787)	27 ¹ / ₂ (699)
	240	36.0	3	2	CFON738A3S	M	229 (104)	70 ¹ / ₂ (1789)	52 (1321)	48 ¹ / ₂ (1232)
	480	36.0	1	2	CFON738A11S	M	229 (104)	70 ¹ / ₂ (1789)	52 (1321)	48 ¹ / ₂ (1232)
	480	36.0	3	1	CFON738A5S	M	229 (104)	70 ¹ / ₂ (1789)	52 (1321)	48 ¹ / ₂ (1232)
	480	50.0	3	2	CFON751A5S	M	234 (107)	70 ¹ / ₂ (1789)	52 (1321)	48 ¹ / ₂ (1232)
	480	60.0	3	2	CFON760J5S	M	297 (135)	91 ¹ / ₂ (2326)	73 (1854)	66 (1676)

4 inch - 150 lb ANSI Flange



• M - Manufacturing lead times

⑤ When steel vessel materials are used in this application, some rust may be present in the process media

■ Truck Shipment only

Circulation Heaters

WATROD and FIREBAR Circulation Heaters

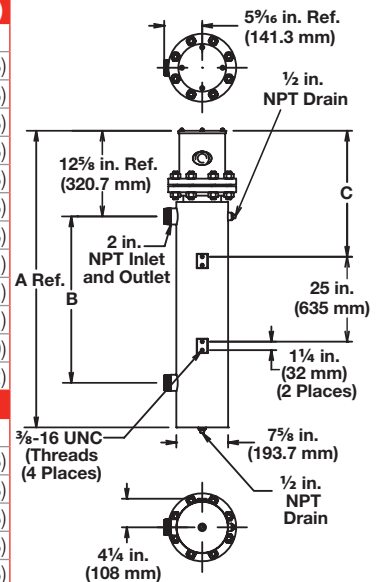


Application: Clean Water[®]

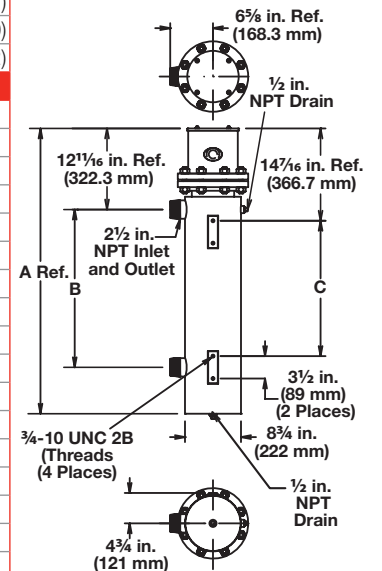
- WATROD or FIREBAR elements
- Without thermostat
- General purpose enclosure

Description	Volts	kW	Ph	# Circ.	Part Number	Del	Ship Wt. lbs (kg)	"A" Dim. in. (mm)	"B" Dim. in. (mm)	"C" Dim. in. (mm)
5 inch - 150 lb ANSI Flange (WATROD)										
60 W/in ² Steel Tank	240	24.0	1	3	CFNN727A10S	M	140 (64)	49 ¹ / ₄ (1249.0)	30 (762)	14 ⁷ / ₈ (378.8)
6-Alloy 800 Elements (9.3 W/cm ²)	240	24.0	3	2	CFNN727A3S	M	140 (64)	49 ¹ / ₄ (1249.0)	30 (762)	14 ⁷ / ₈ (378.8)
	480	24.0	1	3	CFNN727A11S	M	140 (64)	49 ¹ / ₄ (1249.0)	30 (762)	14 ⁷ / ₈ (378.8)
	480	24.0	3	1	CFNN727A5S	M	140 (64)	49 ¹ / ₄ (1249.0)	30 (762)	14 ⁷ / ₈ (378.8)
	240	30.0	3	2	CFNN732J3S	M	142 (65)	49 ¹ / ₄ (1249.0)	30 (762)	14 ⁷ / ₈ (378.8)
	480	30.0	1	2	CFNN732J11S	M	142 (65)	49 ¹ / ₄ (1249.0)	30 (762)	14 ⁷ / ₈ (378.8)
	480	30.0	3	1	CFNN732J5S	M	142 (65)	49 ¹ / ₄ (1249.0)	30 (762)	14 ⁷ / ₈ (378.8)
	240	36.0	3	2	CFNN738A3S	M	160 (73)	56 ¹ / ₄ (1427.0)	37 (940)	18 ⁵ / ₈ (473.1)
	480	36.0	1	2	CFNN738A11S	M	160 (73)	56 ¹ / ₄ (1427.0)	37 (940)	18 ⁵ / ₈ (473.1)
	480	36.0	3	1	CFNN738A5S	M	160 (73)	56 ¹ / ₄ (1427.0)	37 (940)	18 ⁵ / ₈ (473.1)
	480	50.0	3	2	CFNN751A5S	M	180 (82)	67 ³ / ₄ (1719.0)	48 ¹ / ₂ (1232)	25 (633.0)
480	60.0	3	2	CFNN760J5S	M	190 (87)	81 ¹ / ₈ (2060.6)	61 ⁷ / ₈ (1572)	30 ⁷ / ₈ (784.2)	
5 inch - 150 lb ANSI Flange (WATROD)										
60 W/in ² Steel Tank	240	36.0	3	3	CFNN727A3XS	M	145 (66)	49 ¹ / ₄ (1249.0)	30 (762)	14 ⁷ / ₈ (378.8)
9-Alloy 800 Elements (9.3 W/cm ²)	480	36.0	1	3	CFNN727A11XS	M	145 (66)	49 ¹ / ₄ (1249.0)	30 (762)	14 ⁷ / ₈ (378.8)
	480	36.0	3	1	CFNN727A5XS	M	145 (66)	49 ¹ / ₄ (1249.0)	30 (762)	14 ⁷ / ₈ (378.8)
	240	45.0	3	3	CFNN732J3XS	M	147 (67)	49 ¹ / ₄ (1249.0)	30 (762)	14 ⁷ / ₈ (378.8)
	480	45.0	1	3	CFNN732J11XS	M	147 (67)	49 ¹ / ₄ (1249.0)	30 (762)	14 ⁷ / ₈ (378.8)
	480	45.0	3	3	CFNN732J5XS	M	147 (67)	49 ¹ / ₄ (1249.0)	30 (762)	14 ⁷ / ₈ (378.8)
	240	54.0	3	3	CFNN738A3XS	M	166 (76)	56 ¹ / ₄ (1427.0)	37 (940)	18 ⁵ / ₈ (473.1)
	480	54.0	1	3	CFNN738A11XS	M	166 (76)	56 ¹ / ₄ (1427.0)	37 (940)	18 ⁵ / ₈ (473.1)
	480	54.0	3	3	CFNN738A5XS	M	166 (76)	56 ¹ / ₄ (1427.0)	37 (940)	18 ⁵ / ₈ (473.1)
	480	75.0	3	3	CFNN751A5XS	M	188 (86)	67 ³ / ₄ (1719.0)	48 ¹ / ₂ (1232)	25 (633.0)
	480	90.0	3	3	CFNN760J5XS	M	200 (91)	81 ¹ / ₈ (2060.6)	61 ⁷ / ₈ (1572)	30 ⁷ / ₈ (784.2)
6 inch - 150 lb ANSI Flange (WATROD)										
60 W/in ² Steel Tank	240	24.0	1	3	CFPN715G10S	M	212 (97)	40 ¹ / ₂ (1027)	20 ¹ / ₂ (521)	17 (432)
12-Alloy 800 Elements (9.3 W/cm ²)	240	24.0	3	2	CFPN715G3S	M	212 (97)	40 ¹ / ₂ (1027)	20 ¹ / ₂ (521)	17 (432)
	480	24.0	1	2	CFPN715G11S	M	212 (97)	40 ¹ / ₂ (1027)	20 ¹ / ₂ (521)	17 (432)
	480	24.0	3	1	CFPN715G5S	M	212 (97)	40 ¹ / ₂ (1027)	20 ¹ / ₂ (521)	17 (432)
	240	36.0	1	4	CFPN721G10S	M	217 (99)	40 ¹ / ₂ (1027)	20 ¹ / ₂ (521)	17 (432)
	240	36.0	3	2	CFPN721G3S	M	217 (99)	40 ¹ / ₂ (1027)	20 ¹ / ₂ (521)	17 (432)
	480	36.0	1	2	CFPN721G11S	M	217 (99)	40 ¹ / ₂ (1027)	20 ¹ / ₂ (521)	17 (432)
	480	36.0	3	1	CFPN721G5S	M	217 (99)	40 ¹ / ₂ (1027)	20 ¹ / ₂ (521)	17 (432)
	240	48.0	3	4	CFPN726R3S	M	222 (101)	51 (1294)	31 (787)	27 ¹ / ₂ (699)
	480	48.0	1	3	CFPN726R11S	M	222 (101)	51 (1294)	31 (787)	27 ¹ / ₂ (699)
	480	48.0	3	2	CFPN726R5S	M	222 (101)	51 (1294)	31 (787)	27 ¹ / ₂ (699)
	240	60.0	3	4	CFPN732G3S	M	288 (131)	51 (1294)	31 (787)	27 ¹ / ₂ (699)
	480	60.0	1	3	CFPN732G11S	M	288 (131)	51 (1294)	31 (787)	27 ¹ / ₂ (699)
	480	60.0	3	2	CFPN732G5S	M	288 (131)	51 (1294)	31 (787)	27 ¹ / ₂ (699)
	240	72.0	3	4	CFPN737R3S	M	290 (132)	72 (1827)	52 (1321)	48 ¹ / ₂ (1232)
	480	72.0	3	2	CFPN737R5S	M	290 (132)	72 (1827)	52 (1321)	48 ¹ / ₂ (1232)
	480	100.0	3	4	CFPN750R5S	M	298 (136)	72 (1827)	52 (1321)	48 ¹ / ₂ (1232)
	480	120.0	3	4	CFPN760G5S	M	360 (164)	93 (2361)	73 (1854)	66 (1676)

5 inch - 150 lb ANSI Flange



6 inch - 150 lb ANSI Flange



• M - Manufacturing lead times

⑤ When steel vessel materials are used in this application, some rust may be present in the process media

Truck Shipment only

Circulation Heaters

WATROD and FIREBAR Circulation Heaters



Application: Clean Water[®]

- WATROD or FIREBAR elements
- Without thermostat
- General purpose enclosure

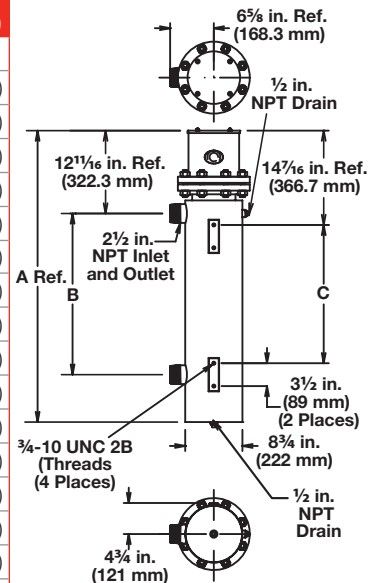
Description	Volts	kW	Ph	# Circ.	Part Number	Del	Ship Wt. lbs (kg)	"A" Dim. in. (mm)	"B" Dim. in. (mm)	"C" Dim. in. (mm)
6 inch - 150 lb ANSI Flange (WATROD)										
60 W/in² Steel Tank 15-Alloy 800 Elements (9.3 W/cm²)	240	30.0	1	3	CFPN715G10XS	M	215 (98)	40 ¹ / ₂ (1027)	20 ¹ / ₂ (521)	17 (432)
	240	30.0	3	5	CFPN715G3XS	M	215 (98)	40 ¹ / ₂ (1027)	20 ¹ / ₂ (521)	17 (432)
	480	30.0	1	3	CFPN715G11XS	M	215 (98)	40 ¹ / ₂ (1027)	20 ¹ / ₂ (521)	17 (432)
	480	30.0	3	1	CFPN715G5XS	M	215 (98)	40 ¹ / ₂ (1027)	20 ¹ / ₂ (521)	17 (432)
	240	45.0	1	5	CFPN721G10XS	M	223 (102)	40 ¹ / ₂ (1027)	20 ¹ / ₂ (521)	17 (432)
	240	45.0	3	5	CFPN721G3XS	M	223 (102)	40 ¹ / ₂ (1027)	20 ¹ / ₂ (521)	17 (432)
	480	45.0	1	3	CFPN721G11XS	M	223 (102)	40 ¹ / ₂ (1027)	20 ¹ / ₂ (521)	17 (432)
	480	45.0	3	5	CFPN721G5XS	M	223 (102)	40 ¹ / ₂ (1027)	20 ¹ / ₂ (521)	17 (432)
	240	60.0	3	5	CFPN726R3XS	M	226 (103)	51 (1294)	31 (787)	27 ¹ / ₂ (699)
	480	60.0	1	3	CFPN726R11XS	M	226 (103)	51 (1294)	31 (787)	27 ¹ / ₂ (699)
	480	60.0	3	5	CFPN726R5XS	M	226 (103)	51 (1294)	31 (787)	27 ¹ / ₂ (699)
	240	75.0	3	5	CFPN732G3XS	M	288 (131)	51 (1294)	31 (787)	27 ¹ / ₂ (699)
	480	75.0	1	5	CFPN732G11XS	M	288 (131)	51 (1294)	31 (787)	27 ¹ / ₂ (699)
	480	75.0	3	5	CFPN732G5XS	M	288 (131)	51 (1294)	31 (787)	27 ¹ / ₂ (699)
	240	90.0	3	5	CFPN737R3XS	M	296 (134)	72 (1827)	52 (1321)	48 ¹ / ₂ (1232)
	480	90.0	3	5	CFPN737R5XS	M	296 (134)	72 (1827)	52 (1321)	48 ¹ / ₂ (1232)
480	125.0	3	5	CFPN750R5XS	M	306 (139)	72 (1827)	52 (1321)	48 ¹ / ₂ (1232)	
480	150.0	3	5	CFPN760G5XS	M	370 (168)	93 (2361)	73 (1854)	66 (1676)	
8 inch - 150 lb ANSI Flange (WATROD)										
60 W/in² Steel Tank 18-Alloy 800 Elements (7.5 W/cm²)	240	50.0	3	3	CFRN721N3S	M	340 (155)	47 ¹ / ₄ (1199.0)	24 ³ / ₄ (627.0)	21 ¹ / ₄ (538.0)
	480	50.0	1	3	CFRN721N11S	M	340 (155)	47 ¹ / ₄ (1199.0)	24 ³ / ₄ (627.0)	21 ¹ / ₄ (538.0)
	480	50.0	3	2	CFRN721N5S	M	340 (155)	47 ¹ / ₄ (1199.0)	24 ³ / ₄ (627.0)	21 ¹ / ₄ (538.0)

• M - Manufacturing lead times

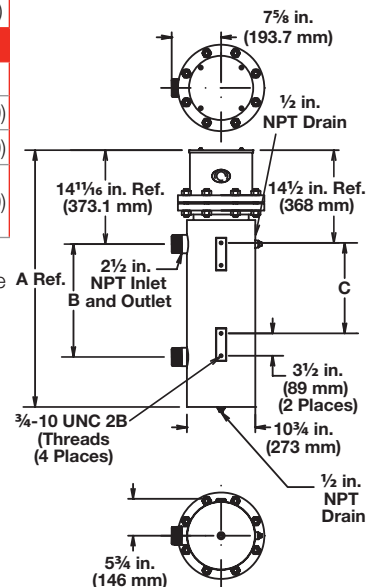
⑤ When steel vessel materials are used in this application, some rust may be present in the process media

■ Truck Shipment only

6 inch - 150 lb ANSI Flange



8 inch - 150 lb ANSI Flange



Circulation Heaters

WATROD and FIREBAR Circulation Heaters

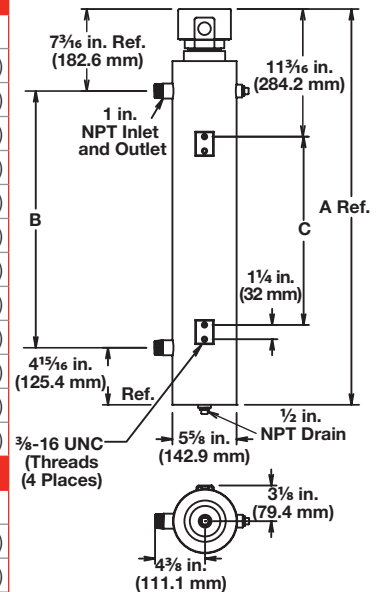


Application: Deionized or Demineralized Water

- WATROD or FIREBAR elements
- Without thermostat
- General purpose enclosure

Description	Volts	kW	Ph	# Circ.	Part Number	Del.	Ship Wt. lbs (kg)	"A" Dim. in. (mm)	"B" Dim. in. (mm)	"C" Dim. in. (mm)
2 1/2 inch NPT Screw Plug (WATROD)										
60 W/in ² 316 SS Tank	240	6.0	3	1	CBLR714L3S	RS	24 (11)	34 ³ / ₄ (881)	22 ¹ / ₂ (572)	16 ¹ / ₂ (419)
	480	6.0	3	1	CBLR714L5S	RS	24 (11)	34 ³ / ₄ (881)	22 ¹ / ₂ (572)	16 ¹ / ₂ (419)
3-316 SS Elements (9.3 W/cm ²) Passivated	240	7.5	3	1	CBLR717L3S	RS	24 (11)	34 ³ / ₄ (881)	22 ¹ / ₂ (572)	16 ¹ / ₂ (419)
	480	7.5	3	1	CBLR717L5S	RS	24 (11)	34 ³ / ₄ (881)	22 ¹ / ₂ (572)	16 ¹ / ₂ (419)
	240	9.0	3	1	CBLR720L3S	RS	26 (12)	34 ³ / ₄ (881)	22 ¹ / ₂ (572)	16 ¹ / ₂ (419)
	480	9.0	3	1	CBLR720L5S	RS	26 (12)	34 ³ / ₄ (881)	22 ¹ / ₂ (572)	16 ¹ / ₂ (419)
	240	12.0	3	1	CBLR726C3S	RS	27 (13)	44 ³ / ₄ (1135)	32 ¹ / ₂ (826)	26 ¹ / ₂ (673)
	480	12.0	3	1	CBLR726C5S	RS	27 (13)	44 ³ / ₄ (1135)	32 ¹ / ₂ (826)	26 ¹ / ₂ (673)
	240	15.0	3	1	CBLR731L3S	RS	29 (14)	44 ³ / ₄ (1135)	32 ¹ / ₂ (826)	26 ¹ / ₂ (673)
	480	15.0	3	1	CBLR731L5S	RS	29 (14)	44 ³ / ₄ (1135)	32 ¹ / ₂ (826)	26 ¹ / ₂ (673)
	240	18.0	3	1	CBLR737C3S	RS	30 (14)	57 ¹ / ₄ (1453)	45 (1143)	39 (991)
	480	18.0	3	1	CBLR737C5S	RS	30 (14)	57 ¹ / ₄ (1453)	45 (1143)	39 (991)
4 inch - 150 lb ANSI Flange (WATROD)										
60 W/in ² 316 SS Tank	240	12.0	1	2	CFOR716A10S	M	124 (57)	39 (989)	20 ¹ / ₂ (521)	17 (432)
	240	12.0	3	1	CFOR716A3S	M	124 (57)	39 (989)	20 ¹ / ₂ (521)	17 (432)
6-316 SS Elements (9.3 W/cm ²) Passivated	480	12.0	1	1	CFOR716A11S	M	124 (57)	39 (989)	20 ¹ / ₂ (521)	17 (432)
	480	12.0	3	1	CFOR716A5S	M	124 (57)	39 (989)	20 ¹ / ₂ (521)	17 (432)
	240	18.0	1	2	CFOR722A10S	M	127 (58)	39 (989)	20 ¹ / ₂ (521)	17 (432)
	240	18.0	3	1	CFOR722A3S	M	127 (58)	39 (989)	20 ¹ / ₂ (521)	17 (432)
	480	18.0	1	1	CFOR722A11S	M	127 (58)	39 (989)	20 ¹ / ₂ (521)	17 (432)
	480	18.0	3	1	CFOR722A5S	M	127 (58)	39 (989)	20 ¹ / ₂ (521)	17 (432)
	240	24.0	1	2	CFOR727J10S	M	160 (73)	49 ¹ / ₂ (1256)	31 (787)	27 ¹ / ₂ (699)
	240	24.0	3	2	CFOR727J3S	M	160 (73)	49 ¹ / ₂ (1256)	31 (787)	27 ¹ / ₂ (699)
	480	24.0	1	1	CFOR727J11S	M	160 (73)	49 ¹ / ₂ (1256)	31 (787)	27 ¹ / ₂ (699)
	480	24.0	3	1	CFOR727J5S	M	160 (73)	49 ¹ / ₂ (1256)	31 (787)	27 ¹ / ₂ (699)
	240	30.0	3	2	CFOR733A3S	M	163 (74)	49 ¹ / ₂ (1256)	31 (787)	27 ¹ / ₂ (699)
	480	30.0	1	2	CFOR733A11S	M	163 (74)	49 ¹ / ₂ (1256)	31 (787)	27 ¹ / ₂ (699)
	480	30.0	3	1	CFOR733A5S	M	163 (74)	49 ¹ / ₂ (1256)	31 (787)	27 ¹ / ₂ (699)
	240	36.0	3	2	CFOR738J3S	M	229 (104)	70 ¹ / ₂ (1789)	52 (1321)	48 ¹ / ₂ (1232)
	480	36.0	1	2	CFOR738J11S	M	229 (104)	70 ¹ / ₂ (1789)	52 (1321)	48 ¹ / ₂ (1232)
	480	36.0	3	1	CFOR738J5S	M	229 (104)	70 ¹ / ₂ (1789)	52 (1321)	48 ¹ / ₂ (1232)
	480	50.0	3	2	CFOR751J5S	M	234 (107)	70 ¹ / ₂ (1789)	52 (1321)	48 ¹ / ₂ (1232)
	480	60.0	3	2	CFOR761A5S	M	297 (135)	91 ¹ / ₂ (2326)	73 (1854)	66 (1676)

2 1/2 inch NPT Screw Plug



Circulation Heaters

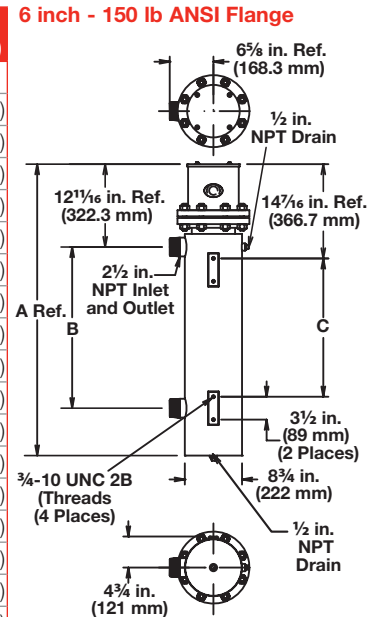
WATROD and FIREBAR Circulation Heaters



Application: Deionized or Demineralized Water

- WATROD or FIREBAR elements
- Without thermostat
- General purpose enclosure

Description	Volts	kW	Ph	# Circ.	Part Number	Del.	Ship Wt. lbs (kg)	"A" Dim. in. (mm)	"B" Dim. in. (mm)	"C" Dim. in. (mm)	
6 inch - 150 lb ANSI Flange (WATROD)											
60 W/in ²	240	24.0	1	3	CFPR715N10S	M	212 (97)	40 1/2 (1027)	20 1/2 (521)	17 (432)	
316 SS Tank	240	24.0	3	2	CFPR715N3S	M	212 (97)	40 1/2 (1027)	20 1/2 (521)	17 (432)	
12-316 SS Elements (9.3 W/cm ²)	480	24.0	1	2	CFPR715N11S	M	212 (97)	40 1/2 (1027)	20 1/2 (521)	17 (432)	
Passivated	480	24.0	3	1	CFPR715N5S	M	212 (97)	40 1/2 (1027)	20 1/2 (521)	17 (432)	
	240	36.0	1	4	CFPR721N10S	M	217 (99)	40 1/2 (1027)	20 1/2 (521)	17 (432)	
	240	36.0	3	2	CFPR721N3S	M	217 (99)	40 1/2 (1027)	20 1/2 (521)	17 (432)	
	480	36.0	1	2	CFPR721N11S	M	217 (99)	40 1/2 (1027)	20 1/2 (521)	17 (432)	
	480	36.0	3	1	CFPR721N5S	M	217 (99)	40 1/2 (1027)	20 1/2 (521)	17 (432)	
	240	48.0	3	4	CFPR727E3S	M	222 (101)	51 (1294)	31 (787)	27 1/2 (699)	
	480	48.0	1	3	CFPR727E11S	M	222 (101)	51 (1294)	31 (787)	27 1/2 (699)	
	480	48.0	3	2	CFPR727E5S	M	222 (101)	51 (1294)	31 (787)	27 1/2 (699)	
	240	60.0	3	4	CFPR732N3S	M	226 (103)	51 (1294)	31 (787)	27 1/2 (699)	
	480	60.0	1	3	CFPR732N11S	M	226 (103)	51 (1294)	31 (787)	27 1/2 (699)	
	480	60.0	3	2	CFPR732N5S	M	226 (103)	51 (1294)	31 (787)	27 1/2 (699)	
	240	72.0	3	4	CFPR738E3S	M	290 (132)	72 (1827)	52 (1321)	48 1/2 (1232)	
	480	72.0	3	2	CFPR738E5S	M	290 (132)	72 (1827)	52 (1321)	48 1/2 (1232)	
	480	100.0	3	4	CFPR751E5S	M	298 (136)	72 (1827)	52 (1321)	48 1/2 (1232)	
	480	120.0	3	4	CFPR760N5S	M	360 (164)	93 (2361)	73 (1854)	66 (1676)	
6 inch - 150 lb ANSI Flange (WATROD)											
60 W/in ²	240	30.0	1	3	CFPR715N10XS	M	215 (98)	40 1/2 (1027)	20 1/2 (521)	17 (432)	
316 SS Tank	240	30.0	3	5	CFPR715N3XS	M	215 (98)	40 1/2 (1027)	20 1/2 (521)	17 (432)	
15-316 SS Elements (9.3 W/cm ²)	480	30.0	1	3	CFPR715N11XS	M	215 (98)	40 1/2 (1027)	20 1/2 (521)	17 (432)	
Passivated	480	30.0	3	1	CFPR715N5XS	M	215 (98)	40 1/2 (1027)	20 1/2 (521)	17 (432)	
	240	45.0	1	5	CFPR721N10XS	M	223 (102)	40 1/2 (1027)	20 1/2 (521)	17 (432)	
	240	45.0	3	5	CFPR721N3XS	M	223 (102)	40 1/2 (1027)	20 1/2 (521)	17 (432)	
	480	45.0	1	3	CFPR721N11XS	M	223 (102)	40 1/2 (1027)	20 1/2 (521)	17 (432)	
	480	45.0	3	5	CFPR721N5XS	M	223 (102)	40 1/2 (1027)	20 1/2 (521)	17 (432)	
	240	60.0	3	5	CFPR727E3XS	M	226 (103)	51 (1294)	31 (787)	27 1/2 (699)	
	480	60.0	1	3	CFPR727E11XS	M	226 (103)	51 (1294)	31 (787)	27 1/2 (699)	
	480	60.0	3	5	CFPR727E5XS	M	226 (103)	51 (1294)	31 (787)	27 1/2 (699)	
	240	75.0	3	5	CFPR732N3XS	M	288 (131)	51 (1294)	31 (787)	27 1/2 (699)	
	480	75.0	1	5	CFPR732N11XS	M	288 (131)	51 (1294)	31 (787)	27 1/2 (699)	
	480	75.0	3	5	CFPR732N5XS	M	288 (131)	51 (1294)	31 (787)	27 1/2 (699)	
	240	90.0	3	5	CFPR738E3XS	M	296 (135)	72 (1827)	52 (1321)	48 1/2 (1232)	
	480	90.0	3	5	CFPR738E5XS	M	296 (135)	72 (1827)	52 (1321)	48 1/2 (1232)	
	480	125.0	3	5	CFPR751E5XS	M	306 (139)	72 (1827)	52 (1321)	48 1/2 (1232)	
	480	150.0	3	5	CFPR760N5XS	M	370 (168)	93 (2361)	73 (1854)	66 (1676)	



• M - Manufacturing lead times

■ Truck Shipment only

Circulation Heaters

WATROD and FIREBAR Circulation Heaters

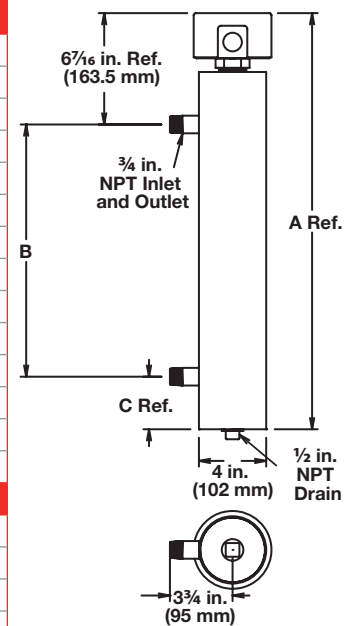


Application: Process Water®

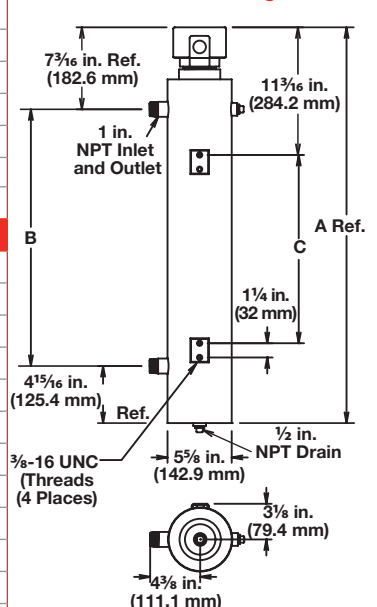
- WATROD or FIREBAR elements
- Without thermostat
- General purpose enclosure

Description	Volts	kW	Ph	Circ.	#	Part Number	Del.	Ship Wt. lbs (kg)	"A" Dim. in. (mm)	"B" Dim. in. (mm)	"C" Dim. in. (mm)
1 1/4 inch NPT Screw Plug (FIREBAR)											
45 W/in²® Steel Tank 1-Alloy 800 Element (7 W/cm²)	240	2.0	3	1	1	CBDNF13A27S	M	25 (12)	24 ⁵ / ₈ (625.5)	15 (381)	3 ¹ / ₈ (79.4)
	240	2.5	3	1	1	CBDNF15J27S	M	26 (12)	24 ⁵ / ₈ (625.5)	15 (381)	3 ¹ / ₈ (79.4)
	240	3.0	3	1	1	CBDNF18A27S	M	30 (14)	32 ⁵ / ₈ (828.7)	23 (584)	3 ¹ / ₈ (79.4)
	240	4.0	3	1	1	CBDNF22J27S	M	31 (14)	32 ⁵ / ₈ (828.7)	23 (584)	3 ¹ / ₈ (79.4)
	480	4.0	3	1	1	CBDNF22J28S	M	31 (14)	32 ⁵ / ₈ (828.7)	23 (584)	3 ¹ / ₈ (79.4)
	240	5.0	3	1	1	CBDNF27J27S	M	43 (20)	42 ⁵ / ₈ (1082.7)	32 (813)	4 ³ / ₈ (111.1)
	480	5.0	3	1	1	CBDNF27J28S	M	43 (20)	42 ⁵ / ₈ (1082.7)	32 (813)	4 ³ / ₈ (111.1)
	240	6.0	3	1	1	CBDNF32J27S	M	44 (20)	42 ⁵ / ₈ (1082.7)	32 (813)	4 ³ / ₈ (111.1)
	480	6.0	3	1	1	CBDNF32J28S	M	44 (20)	42 ⁵ / ₈ (1082.7)	32 (813)	4 ³ / ₈ (111.1)
	240	8.0	3	1	1	CBDNF42A27S	M	69 (32)	63 ⁵ / ₈ (1616.1)	53 (1346)	4 ³ / ₈ (111.1)
	480	8.0	3	1	1	CBDNF42A28S	M	69 (32)	63 ⁵ / ₈ (1616.1)	53 (1346)	4 ³ / ₈ (111.1)
	240	10.0	3	1	1	CBDNF51J27S	M	71 (33)	63 ⁵ / ₈ (1616.1)	53 (1346)	4 ³ / ₈ (111.1)
480	10.0	3	1	1	CBDNF51J28S	M	71 (33)	63 ⁵ / ₈ (1616.1)	53 (1346)	4 ³ / ₈ (111.1)	
2 1/2 inch NPT Screw Plug (WATROD)											
48 W/in²® Steel Tank 3-Alloy 800 Elements (7.5 W/cm²)	240	6.0	3	1	1	CBLN717G3S	RS	24 (11)	34 ³ / ₄ (881)	22 ¹ / ₂ (572)	16 ¹ / ₂ (419)
	480	6.0	3	1	1	CBLN717G5S	RS	24 (11)	34 ³ / ₄ (881)	22 ¹ / ₂ (572)	16 ¹ / ₂ (419)
	240	7.5	3	1	1	CBLN719R3S	RS	26 (12)	34 ³ / ₄ (881)	22 ¹ / ₂ (572)	16 ¹ / ₂ (419)
	480	7.5	3	1	1	CBLN719R5S	RS	26 (12)	34 ³ / ₄ (881)	22 ¹ / ₂ (572)	16 ¹ / ₂ (419)
	240	9.0	3	1	1	CBLN724R3S	RS	27 (13)	34 ³ / ₄ (881)	22 ¹ / ₂ (572)	16 ¹ / ₂ (419)
	480	9.0	3	1	1	CBLN724R5S	RS	27 (13)	34 ³ / ₄ (881)	22 ¹ / ₂ (572)	16 ¹ / ₂ (419)
	240	12.0	3	1	1	CBLN732G3S	RS	29 (14)	44 ³ / ₄ (1135)	32 ¹ / ₂ (826)	26 ¹ / ₂ (673)
	480	12.0	3	1	1	CBLN732G5S	RS	29 (14)	44 ³ / ₄ (1135)	32 ¹ / ₂ (826)	26 ¹ / ₂ (673)
	240	15.0	3	1	1	CBLN739R3S	RS	31 (14)	57 ¹ / ₄ (1453)	45 (1143)	39 (991)
	480	15.0	3	1	1	CBLN739R5S	RS	31 (14)	57 ¹ / ₄ (1453)	45 (1143)	39 (991)
	240	18.0	3	1	1	CBLN747G3S	RS	32 (15)	57 ¹ / ₄ (1453)	45 (1143)	39 (991)
	480	18.0	3	1	1	CBLN747G5S	RS	32 (15)	57 ¹ / ₄ (1453)	45 (1143)	39 (991)
2 1/2 inch NPT Screw Plug (FIREBAR)											
45 W/in²® Steel Tank 3-Alloy 800 Elements (7 W/cm²)	240	6.0	3	1	1	CBLNF12A27S	M	21 (10)	34 ³ / ₄ (881)	22 ¹ / ₂ (572)	16 ¹ / ₂ (419)
	240	7.5	3	1	1	CBLNF14J27S	M	22 (10)	34 ³ / ₄ (881)	22 ¹ / ₂ (572)	16 ¹ / ₂ (419)
	240	9.0	3	1	1	CBLNF17A27S	M	23 (11)	34 ³ / ₄ (881)	22 ¹ / ₂ (572)	16 ¹ / ₂ (419)
	240	12.0	3	1	1	CBLNF21J27S	M	31 (14)	34 ³ / ₄ (881)	22 ¹ / ₂ (572)	16 ¹ / ₂ (419)
	480	12.0	3	1	1	CBLNF21J28S	M	31 (14)	34 ³ / ₄ (881)	22 ¹ / ₂ (572)	16 ¹ / ₂ (419)
	240	15.0	3	1	1	CBLNF26J27S	M	34 (16)	44 ³ / ₄ (1135)	32 ¹ / ₂ (826)	26 ¹ / ₂ (673)
	480	15.0	3	1	1	CBLNF26J28S	M	34 (16)	44 ³ / ₄ (1135)	32 ¹ / ₂ (826)	26 ¹ / ₂ (673)
	240	18.0	3	1	1	CBLNF31J27S	M	35 (16)	44 ³ / ₄ (1135)	32 ¹ / ₂ (826)	26 ¹ / ₂ (673)
	480	18.0	3	1	1	CBLNF31J28S	M	35 (16)	44 ³ / ₄ (1135)	32 ¹ / ₂ (826)	26 ¹ / ₂ (673)
	480	24.0	3	1	1	CBLNF41A28S	M	44 (20)	57 ¹ / ₄ (1453)	45 (1143)	39 (991)
	480	30.0	3	1	1	CBLNF50J28S	M	52 (24)	63 ³ / ₄ (1618)	51 ¹ / ₂ (1308)	46 ¹ / ₂ (1181)

1 1/4 inch NPT Screw Plug



2 1/2 inch NPT Screw Plug



RAPID SHIP

- RS - Next day shipment
- M - Manufacturing lead times up to 5 pieces

⑤ When steel vessel materials are used in this application, some rust may be present in the process media

⑧ Can be wired for 1-phase operation

Circulation Heaters

WATROD and FIREBAR Circulation Heaters

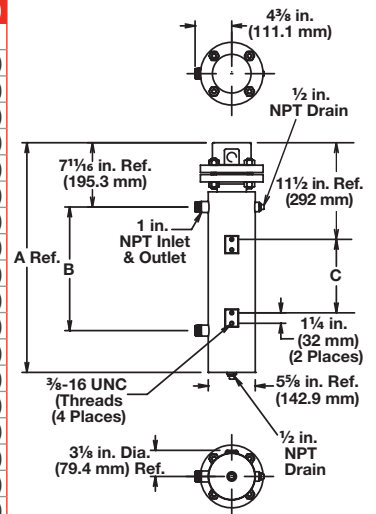


Application: Process Water®

- WATROD or FIREBAR elements
- Without thermostat
- General purpose enclosure

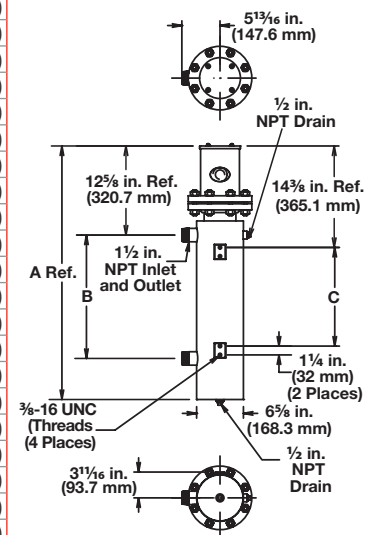
Description	Volts	kW	Ph	# Circ.	Part Number	Del.	Ship Wt. lbs (kg)	"A" Dim. in. (mm)	"B" Dim. in. (mm)	"C" Dim. in. (mm)
3 inch - 150 lb ANSI Flange (WATROD)										
48 W/in ² Steel Tank	240	6.0	1	1	CFMN718A10S	RS	68 (31)	35 1/4 (894)	22 1/2 (573)	16 1/2 (419)
3-Alloy 800 Elements (7.5 W/cm ²)	240	6.0	3	1	CFMN718A3S	RS	68 (31)	35 1/4 (894)	22 1/2 (573)	16 1/2 (419)
	480	6.0	1	1	CFMN718A11S	RS	68 (31)	35 1/4 (894)	22 1/2 (573)	16 1/2 (419)
	480	6.0	3	1	CFMN718A5S	RS	68 (31)	35 1/4 (894)	22 1/2 (573)	16 1/2 (419)
	240	7.5	1	1	CFMN720J10S	RS	70 (32)	35 1/4 (894)	22 1/2 (573)	16 1/2 (419)
	240	7.5	3	1	CFMN720J3S	RS	70 (32)	35 1/4 (894)	22 1/2 (573)	16 1/2 (419)
	480	7.5	1	1	CFMN720J11S	RS	70 (32)	35 1/4 (894)	22 1/2 (573)	16 1/2 (419)
	480	7.5	3	1	CFMN720J5S	RS	70 (32)	35 1/4 (894)	22 1/2 (573)	16 1/2 (419)
	240	9.0	1	1	CFMN725J10S	M	78 (36)	45 1/4 (1148)	32 1/2 (826)	26 1/2 (673)
	240	9.0	3	1	CFMN725J3S	M	78 (36)	45 1/4 (1148)	32 1/2 (826)	26 1/2 (673)
	480	9.0	1	1	CFMN725J11S	M	78 (36)	45 1/4 (1148)	32 1/2 (826)	26 1/2 (673)
	480	9.0	3	1	CFMN725J5S	M	78 (36)	45 1/4 (1148)	32 1/2 (826)	26 1/2 (673)
	240	12.0	3	1	CFMN733A3S	M	96 (44)	45 1/4 (1148)	32 1/2 (826)	26 1/2 (673)
	480	12.0	1	1	CFMN733A11S	M	96 (44)	45 1/4 (1148)	32 1/2 (826)	26 1/2 (673)
	480	12.0	3	1	CFMN733A5S	M	96 (44)	45 1/4 (1148)	32 1/2 (826)	26 1/2 (673)
	240	15.0	3	1	CFMN740J3S	M	100 (46)	57 3/4 (1465)	45 (1143)	39 (991)
	480	15.0	1	1	CFMN740J11S	M	100 (46)	57 3/4 (1465)	45 (1143)	39 (991)
	480	15.0	3	1	CFMN740J5S	M	100 (46)	57 3/4 (1465)	45 (1143)	39 (991)
	240	18.0	3	1	CFMN748A3S	M	107 (49)	57 3/4 (1465)	45 (1143)	39 (991)
	480	18.0	1	1	CFMN748A11S	M	107 (49)	57 3/4 (1465)	45 (1143)	39 (991)
	480	18.0	3	1	CFMN748A5S	M	107 (49)	57 3/4 (1465)	45 (1143)	39 (991)

3 inch - 150 lb ANSI Flange



Description	Volts	kW	Ph	# Circ.	Part Number	Del.	Ship Wt. lbs (kg)	"A" Dim. in. (mm)	"B" Dim. in. (mm)	"C" Dim. in. (mm)
4 inch - 150 lb ANSI Flange (WATROD)										
48 W/in ² Steel Tank	240	9.0	1	1	CFON713J10S	M	122 (56)	39 (989)	20 1/2 (521)	17 (432)
6-Alloy 800 Elements (7.5 W/cm ²)	240	9.0	3	1	CFON713J3S	M	122 (56)	39 (989)	20 1/2 (521)	17 (432)
	480	9.0	1	1	CFON713J11S	M	122 (56)	39 (989)	20 1/2 (521)	17 (432)
	480	9.0	3	1	CFON713J5S	M	122 (56)	39 (989)	20 1/2 (521)	17 (432)
	240	12.0	1	2	CFON718A10S	M	125 (57)	39 (989)	20 1/2 (521)	17 (432)
	240	12.0	3	1	CFON718A3S	M	125 (57)	39 (989)	20 1/2 (521)	17 (432)
	480	12.0	1	1	CFON718A11S	M	125 (57)	39 (989)	20 1/2 (521)	17 (432)
	480	12.0	3	1	CFON718A5S	M	125 (57)	39 (989)	20 1/2 (521)	17 (432)
	240	15.0	1	2	CFON720J10S	M	127 (58)	39 (989)	20 1/2 (521)	17 (432)
	240	15.0	3	1	CFON720J3S	M	127 (58)	39 (989)	20 1/2 (521)	17 (432)
	480	15.0	1	1	CFON720J11S	M	127 (58)	39 (989)	20 1/2 (521)	17 (432)
	480	15.0	3	1	CFON720J5S	M	127 (58)	39 (989)	20 1/2 (521)	17 (432)
	240	18.0	1	2	CFON725J10S	M	160 (73)	39 (989)	20 1/2 (521)	17 (432)
	240	18.0	3	1	CFON725J3S	M	160 (73)	39 (989)	20 1/2 (521)	17 (432)
	480	18.0	1	1	CFON725J11S	M	160 (73)	39 (989)	20 1/2 (521)	17 (432)
	480	18.0	3	1	CFON725J5S	M	160 (73)	39 (989)	20 1/2 (521)	17 (432)
	240	24.0	1	2	CFON733A10S	M	163 (74)	49 1/2 (1256)	31 (787)	27 1/2 (699)
	240	24.0	3	2	CFON733A3S	M	163 (74)	49 1/2 (1256)	31 (787)	27 1/2 (699)
	480	24.0	1	1	CFON733A11S	M	163 (74)	49 1/2 (1256)	31 (787)	27 1/2 (699)
	480	24.0	3	1	CFON733A5S	M	163 (74)	49 1/2 (1256)	31 (787)	27 1/2 (699)
	240	30.0	3	2	CFON740J3S	M	229 (104)	70 1/2 (1789)	52 (1321)	48 1/2 (1232)
	480	30.0	1	2	CFON740J11S	M	229 (104)	70 1/2 (1789)	52 (1321)	48 1/2 (1232)
	480	30.0	3	1	CFON740J5S	M	229 (104)	70 1/2 (1789)	52 (1321)	48 1/2 (1232)
	240	36.0	3	2	CFON748A3S	M	234 (107)	70 1/2 (1789)	52 (1321)	48 1/2 (1232)
	480	36.0	1	2	CFON748A11S	M	234 (107)	70 1/2 (1789)	52 (1321)	48 1/2 (1232)
	480	36.0	3	1	CFON748A5S	M	234 (107)	70 1/2 (1789)	52 (1321)	48 1/2 (1232)

4 inch - 150 lb ANSI Flange



RAPID SHIP

- RS - Next day shipment
- M - Manufacturing lead times up to 2 pieces

WATLOW®

⑤ When steel vessel materials are used in this application, some rust may be present in the process media

Truck Shipment only

Circulation Heaters

WATROD and FIREBAR Circulation Heaters

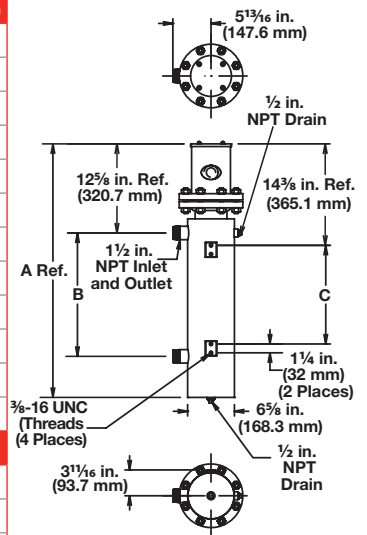


Application: Process Water®

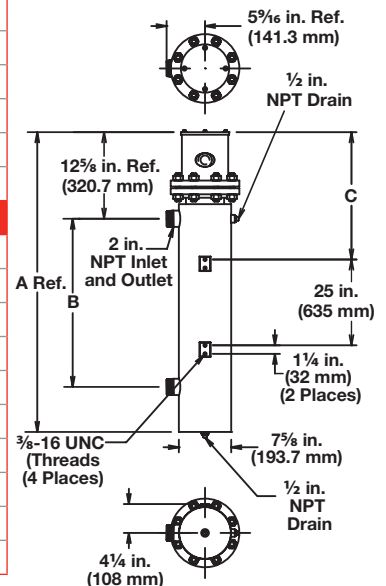
- WATROD or FIREBAR elements
- Without thermostat
- General purpose enclosure

Description	Volts	kW	Ph	# Circ.	Part Number	Del.	Ship Wt. lbs (kg)	"A" Dim. in. (mm)	"B" Dim. in. (mm)	"C" Dim. in. (mm)
4 inch - 150 lb ANSI Flange (FIREBAR)										
45 W/in ² Steel Tank 6-Alloy 800 Elements (7 W/cm ²)	240	12.0	3	1	CFONF13G27S	M	125 (57)	39 (989)	20 ¹ / ₂ (521)	17 (432)
	240	15.0	3	1	CFONF16A27S	M	128 (58)	39 (989)	20 ¹ / ₂ (521)	17 (432)
	240	18.0	3	1	CFONF18G27S	M	130 (59)	39 (989)	20 ¹ / ₂ (521)	17 (432)
	240	24.0	3	2	CFONF22R27S	M	133 (61)	39 (989)	20 ¹ / ₂ (521)	17 (432)
	480	24.0	3	1	CFONF22R28S	M	133 (61)	39 (989)	20 ¹ / ₂ (521)	17 (432)
	240	30.0	3	2	CFONF27R27S	M	168 (77)	49 ¹ / ₂ (1256)	31 (787)	27 ¹ / ₂ (699)
	480	30.0	3	1	CFONF27R28S	M	168 (77)	49 ¹ / ₂ (1256)	31 (787)	27 ¹ / ₂ (699)
	240	36.0	3	2	CFONF32R27S	M	170 (78)	49 ¹ / ₂ (1256)	31 (787)	27 ¹ / ₂ (699)
	480	36.0	3	1	CFONF32R28S	M	170 (78)	49 ¹ / ₂ (1256)	31 (787)	27 ¹ / ₂ (699)
	480	48.0	3	2	CFONF42G28S	M	236 (107)	70 ¹ / ₂ (1789)	52 (1321)	48 ¹ / ₂ (1232)
480	60.0	3	2	CFONF51R28S	M	240 (109)	70 ¹ / ₂ (1789)	52 (1321)	48 ¹ / ₂ (1232)	
5 inch - 150 lb ANSI Flange (WATROD)										
48 W/in ² Steel Tank 6-Alloy 800 Elements (7.5 W/cm ²)	240	24.0	1	3	CFNN733A10S	M	145 (66)	49 ¹ / ₄ (1249)	30 (762)	14 ⁷ / ₈ (377.8)
	240	24.0	3	2	CFNN733A3S	M	145 (66)	49 ¹ / ₄ (1249)	30 (762)	14 ⁷ / ₈ (377.8)
	480	24.0	1	2	CFNN733A11S	M	145 (66)	49 ¹ / ₄ (1249)	30 (762)	14 ⁷ / ₈ (377.8)
	480	24.0	3	1	CFNN733A5S	M	145 (66)	49 ¹ / ₄ (1249)	30 (762)	14 ⁷ / ₈ (377.8)
	240	30.0	3	2	CFNN740J3S	M	167 (76)	56 ¹ / ₄ (1427)	37 (940)	18 ⁵ / ₈ (473.1)
	480	30.0	1	2	CFNN740J11S	M	167 (76)	56 ¹ / ₄ (1427)	37 (940)	18 ⁵ / ₈ (473.1)
	480	30.0	3	1	CFNN740J5S	M	167 (76)	56 ¹ / ₄ (1427)	37 (940)	18 ⁵ / ₈ (473.1)
	240	36.0	3	2	CFNN748A3S	M	180 (82)	67 ³ / ₄ (1719)	48 ¹ / ₂ (1232)	25 (633.0)
	480	36.0	1	2	CFNN748A11S	M	180 (82)	67 ³ / ₄ (1719)	48 ¹ / ₂ (1232)	25 (633.0)
	480	36.0	3	1	CFNN748A5S	M	180 (82)	67 ³ / ₄ (1719)	48 ¹ / ₂ (1232)	25 (633.0)
5 inch - 150 lb ANSI Flange (WATROD)										
48 W/in ² Steel Tank 9-Alloy 800 Elements (7.5 W/cm ²)	240	36.0	3	3	CFNN733A3XS	M	150 (68)	49 ¹ / ₄ (1249)	30 (762)	14 ⁷ / ₈ (377.8)
	480	36.0	1	3	CFNN733A11XS	M	150 (68)	49 ¹ / ₄ (1249)	30 (762)	14 ⁷ / ₈ (377.8)
	480	36.0	3	1	CFNN733A5XS	M	150 (68)	49 ¹ / ₄ (1249)	30 (762)	14 ⁷ / ₈ (377.8)
	240	45.0	3	3	CFNN740J3XS	M	173 (79)	56 ¹ / ₄ (1427)	37 (940)	18 ⁵ / ₈ (473.1)
	480	45.0	1	3	CFNN740J11XS	M	173 (79)	56 ¹ / ₄ (1427)	37 (940)	18 ⁵ / ₈ (473.1)
	480	45.0	3	3	CFNN740J5XS	M	173 (79)	56 ¹ / ₄ (1427)	37 (940)	18 ⁵ / ₈ (473.1)
	240	54.0	3	3	CFNN748A3XS	M	188 (86)	67 ³ / ₄ (1719)	48 ¹ / ₂ (1232)	25 (633.0)
	480	54.0	1	3	CFNN748A11XS	M	188 (86)	67 ³ / ₄ (1719)	48 ¹ / ₂ (1232)	25 (633.0)
	480	54.0	3	3	CFNN748A5XS	M	188 (86)	67 ³ / ₄ (1719)	48 ¹ / ₂ (1232)	25 (633.0)

4 inch - 150 lb ANSI Flange



5 inch - 150 lb ANSI Flange



• M - Manufacturing lead times

⑤ When steel vessel materials are used in this application, some rust may be present in the process media

Truck Shipment only

Circulation Heaters

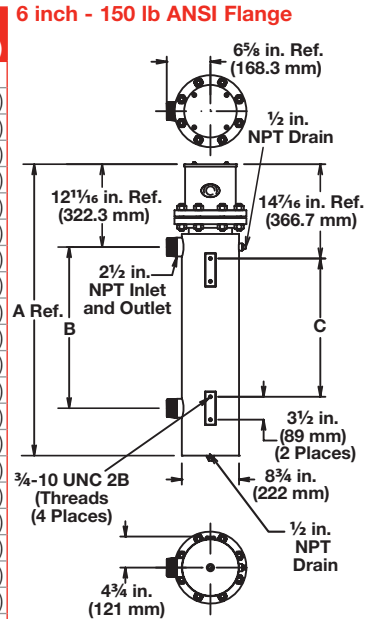
WATROD and FIREBAR Circulation Heaters



Application: Process Water[®]

- WATROD or FIREBAR elements
- Without thermostat
- General purpose enclosure

Description	Volts	kW	Ph	# Circ.	Part Number	Del.	Ship Wt. lbs (kg)	"A" Dim. in. (mm)	"B" Dim. in. (mm)	"C" Dim. in. (mm)
6 inch - 150 lb ANSI Flange (WATROD)										
48 W/in ² Steel Tank	240	18.0	1	2	CFPN713G10S	M	212 (97)	40 ¹ / ₂ (1027)	20 ¹ / ₂ (521)	17 (432)
12-Alloy 800 Elements (7.5 W/cm ²)	240	18.0	3	1	CFPN713G3S	M	212 (97)	40 ¹ / ₂ (1027)	20 ¹ / ₂ (521)	17 (432)
	480	18.0	1	1	CFPN713G11S	M	212 (97)	40 ¹ / ₂ (1027)	20 ¹ / ₂ (521)	17 (432)
	480	18.0	3	1	CFPN713G5S	M	212 (97)	40 ¹ / ₂ (1027)	20 ¹ / ₂ (521)	17 (432)
	240	24.0	1	3	CFPN717R10S	M	214 (97)	40 ¹ / ₂ (1027)	20 ¹ / ₂ (521)	17 (432)
	240	24.0	3	2	CFPN717R3S	M	214 (97)	40 ¹ / ₂ (1027)	20 ¹ / ₂ (521)	17 (432)
	480	24.0	1	2	CFPN717R11S	M	214 (97)	40 ¹ / ₂ (1027)	20 ¹ / ₂ (521)	17 (432)
	480	24.0	3	1	CFPN717R5S	M	214 (97)	40 ¹ / ₂ (1027)	20 ¹ / ₂ (521)	17 (432)
	240	30.0	1	3	CFPN720G10S	M	217 (99)	40 ¹ / ₂ (1027)	20 ¹ / ₂ (521)	17 (432)
	240	30.0	3	2	CFPN720G3S	M	217 (99)	40 ¹ / ₂ (1027)	20 ¹ / ₂ (521)	17 (432)
	480	30.0	1	2	CFPN720G11S	M	217 (99)	40 ¹ / ₂ (1027)	20 ¹ / ₂ (521)	17 (432)
	480	30.0	3	1	CFPN720G5S	M	217 (99)	40 ¹ / ₂ (1027)	20 ¹ / ₂ (521)	17 (432)
	240	36.0	1	4	CFPN725G10S	M	222 (101)	40 ¹ / ₂ (1027)	20 ¹ / ₂ (521)	17 (432)
	240	36.0	3	2	CFPN725G3S	M	222 (101)	40 ¹ / ₂ (1027)	20 ¹ / ₂ (521)	17 (432)
	480	36.0	1	2	CFPN725G11S	M	222 (101)	40 ¹ / ₂ (1027)	20 ¹ / ₂ (521)	17 (432)
	480	36.0	3	1	CFPN725G5S	M	222 (101)	40 ¹ / ₂ (1027)	20 ¹ / ₂ (521)	17 (432)
	240	48.0	3	4	CFPN732R3S	M	226 (103)	51 (1294)	31 (787)	27 ¹ / ₂ (699)
	480	48.0	1	3	CFPN732R11S	M	226 (103)	51 (1294)	31 (787)	27 ¹ / ₂ (699)
	480	48.0	3	2	CFPN732R5S	M	226 (103)	51 (1294)	31 (787)	27 ¹ / ₂ (699)
	240	60.0	3	4	CFPN740G3S	M	290 (132)	72 (1827)	52 (1321)	48 ¹ / ₂ (1232)
	480	60.0	1	3	CFPN740G11S	M	290 (132)	72 (1827)	52 (1321)	48 ¹ / ₂ (1232)
	480	60.0	3	2	CFPN740G5S	M	290 (132)	72 (1827)	52 (1321)	48 ¹ / ₂ (1232)
	240	72.0	3	4	CFPN747R3S	M	298 (136)	72 (1827)	52 (1321)	48 ¹ / ₂ (1232)
	480	72.0	3	2	CFPN747R5S	M	298 (136)	72 (1827)	52 (1321)	48 ¹ / ₂ (1232)
6 inch - 150 lb ANSI Flange (WATROD)										
48 W/in ² Steel Tank	240	23.0	1	3	CFPN713G10XS	M	215 (98)	40 ¹ / ₂ (1027)	20 ¹ / ₂ (521)	17 (432)
15-Alloy 800 Elements (7.5 W/cm ²)	240	23.0	3	5	CFPN713G3XS	M	215 (98)	40 ¹ / ₂ (1027)	20 ¹ / ₂ (521)	17 (432)
	480	23.0	1	1	CFPN713G11XS	M	215 (98)	40 ¹ / ₂ (1027)	20 ¹ / ₂ (521)	17 (432)
	480	23.0	3	1	CFPN713G5XS	M	215 (98)	40 ¹ / ₂ (1027)	20 ¹ / ₂ (521)	17 (432)
	240	30.0	1	3	CFPN717R10XS	M	217 (99)	40 ¹ / ₂ (1027)	20 ¹ / ₂ (521)	17 (432)
	240	30.0	3	5	CFPN717R3XS	M	217 (99)	40 ¹ / ₂ (1027)	20 ¹ / ₂ (521)	17 (432)
	480	30.0	1	3	CFPN717R11XS	M	217 (99)	40 ¹ / ₂ (1027)	20 ¹ / ₂ (521)	17 (432)
	480	30.0	3	1	CFPN717R5XS	M	217 (99)	40 ¹ / ₂ (1027)	20 ¹ / ₂ (521)	17 (432)
	240	38.0	1	5	CFPN720G10XS	M	223 (102)	40 ¹ / ₂ (1027)	20 ¹ / ₂ (521)	17 (432)
	240	38.0	3	5	CFPN720G3XS	M	223 (102)	40 ¹ / ₂ (1027)	20 ¹ / ₂ (521)	17 (432)
	480	38.0	1	3	CFPN720G11XS	M	223 (102)	40 ¹ / ₂ (1027)	20 ¹ / ₂ (521)	17 (432)
	480	38.0	3	1	CFPN720G5XS	M	223 (102)	40 ¹ / ₂ (1027)	20 ¹ / ₂ (521)	17 (432)
	240	45.0	1	5	CFPN725G10XS	M	226 (103)	40 ¹ / ₂ (1027)	20 ¹ / ₂ (521)	17 (432)
	240	45.0	3	5	CFPN725G3XS	M	226 (103)	40 ¹ / ₂ (1027)	20 ¹ / ₂ (521)	17 (432)
	480	45.0	1	3	CFPN725G11XS	M	226 (103)	40 ¹ / ₂ (1027)	20 ¹ / ₂ (521)	17 (432)
	480	45.0	3	5	CFPN725G5XS	M	226 (103)	40 ¹ / ₂ (1027)	20 ¹ / ₂ (521)	17 (432)
	240	60.0	3	5	CFPN732R3XS	M	288 (131)	51 (1294)	31 (787)	27 ¹ / ₂ (699)
	480	60.0	1	3	CFPN732R11XS	M	288 (131)	51 (1294)	31 (787)	27 ¹ / ₂ (699)
	480	60.0	3	5	CFPN732R5XS	M	288 (131)	51 (1294)	31 (787)	27 ¹ / ₂ (699)
	240	75.0	3	5	CFPN740G3XS	M	296 (135)	72 (1827)	52 (1321)	48 ¹ / ₂ (1232)
	480	75.0	1	5	CFPN740G11XS	M	296 (135)	72 (1827)	52 (1321)	48 ¹ / ₂ (1232)
	480	75.0	3	5	CFPN740G5XS	M	296 (135)	72 (1827)	52 (1321)	48 ¹ / ₂ (1232)
	240	90.0	3	5	CFPN747R3XS	M	306 (139)	72 (1827)	52 (1321)	48 ¹ / ₂ (1232)
	480	90.0	3	5	CFPN747R5XS	M	306 (139)	72 (1827)	52 (1321)	48 ¹ / ₂ (1232)



• M - Manufacturing lead times

Truck Shipment only

® When steel vessel materials are used in this application, some rust may be present in the process media

Circulation Heaters

WATROD and FIREBAR Circulation Heaters

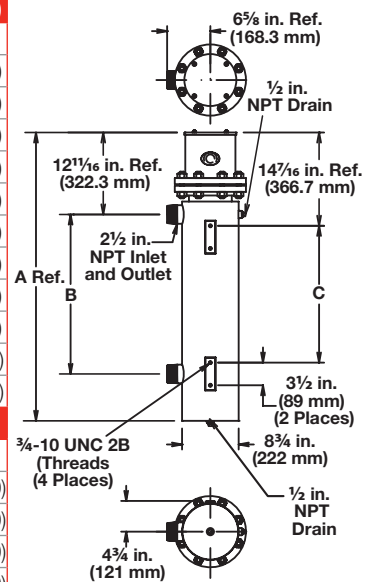


Application: Process Water®

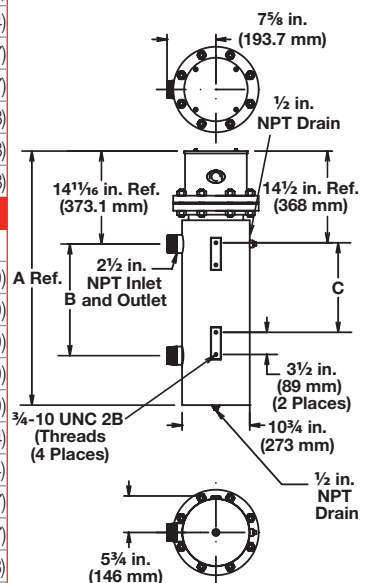
- WATROD or FIREBAR elements
- Without thermostat
- General purpose enclosure

Description	Volts	kW	Ph	# Circ.	Part Number	Del.	Ship Wt. lbs (kg)	"A" Dim. in. (mm)	"B" Dim. in. (mm)	"C" Dim. in. (mm)
6 inch - 150 lb ANSI Flange (FIREBAR)										
45 W/in ² Steel Tank 15-Alloy 800 Elements (7 W/cm ²)	240	30.0	3	5	CFPNF13G27S	M	217 (99)	40 1/2 (1027)	20 1/2 (521)	17 (432)
	240	37.5	3	5	CFPNF16A27S	M	220 (100)	40 1/2 (1027)	20 1/2 (521)	17 (432)
	240	45.0	3	5	CFPNF18G27S	M	223 (102)	40 1/2 (1027)	20 1/2 (521)	17 (432)
	240	60.0	3	5	CFPNF22R27S	M	226 (103)	40 1/2 (1027)	20 1/2 (521)	17 (432)
	480	60.0	3	5	CFPNF22R28S	M	226 (103)	40 1/2 (1027)	20 1/2 (521)	17 (432)
	240	75.0	3	5	CFPNF27R27S	M	232 (106)	51 (1294)	31 (787)	27 1/2 (699)
	480	75.0	3	5	CFPNF27R28S	M	232 (106)	51 (1294)	31 (787)	27 1/2 (699)
	240	90.0	3	5	CFPNF32R27S	M	236 (107)	51 (1294)	31 (787)	27 1/2 (699)
	480	90.0	3	5	CFPNF32R28S	M	236 (107)	51 (1294)	31 (787)	27 1/2 (699)
	480	120.0	3	5	CFPNF42G28S	M	304 (138)	72 (1827)	52 (1321)	48 1/2 (1232)
	480	150.0	3	5	CFPNF51R28S	M	314 (143)	72 (1827)	52 (1321)	48 1/2 (1232)
8 inch - 150 lb ANSI Flange (WATROD)										
48 W/in ² Steel Tank 18-Alloy 800 Elements (7.5 W/cm ²)	240	50.0	3	3	CFRN725N3S	M	350 (159)	55 1/4 (1402.0)	32 3/4 (830.0)	29 1/4 (741.0)
	480	50.0	1	3	CFRN725N11S	M	350 (159)	55 1/4 (1402.0)	32 3/4 (830.0)	29 1/4 (741.0)
	480	50.0	3	2	CFRN725N5S	M	350 (159)	55 1/4 (1402.0)	32 3/4 (830.0)	29 1/4 (741.0)
	240	75.0	3	6	CFRN735N3S	M	380 (173)	62 1/4 (1580.0)	39 3/4 (1008.0)	36 1/4 (919.0)
	480	75.0	3	2	CFRN735N5S	M	380 (173)	62 1/4 (1580.0)	39 3/4 (1008.0)	36 1/4 (919.0)
	240	100.0	3	6	CFRN744E3S	M	410 (186)	69 7/8 (1774.8)	47 3/8 (1203.3)	43 7/8 (1114.4)
	480	100.0	3	3	CFRN744E5S	M	410 (186)	69 7/8 (1774.8)	47 3/8 (1203.3)	43 7/8 (1114.4)
	240	125.0	3	6	CFRN754M3S	M	445 (202)	79 3/8 (2016.1)	56 7/8 (1444.6)	53 3/8 (1355.7)
	480	125.0	3	6	CFRN754M5S	M	445 (202)	79 3/8 (2016.1)	56 7/8 (1444.6)	53 3/8 (1355.7)
	480	150.0	3	6	CFRN763M5S	M	490 (223)	88 3/8 (2244.7)	65 7/8 (1673.2)	62 3/8 (1584.3)
	480	175.0	3	6	CFRN773D5S	M	530 (241)	98 3/8 (2498.7)	75 7/8 (1927.2)	72 3/8 (1838.3)
	480	200.0	3	6	CFRN782M5S	M	560 (254)	98 3/8 (2498.7)	75 7/8 (1927.2)	72 3/8 (1838.3)
8 inch - 150 lb ANSI Flange (WATROD)										
48 W/in ² Steel Tank 24-Alloy 800 Elements (7.5 W/cm ²)	240	67.0	3	4	CFRN726D3XS	M	358 (163)	55 1/4 (1402.0)	32 3/4 (830.0)	29 1/4 (741.0)
	480	67.0	1	3	CFRN726D11XS	M	358 (163)	55 1/4 (1402.0)	32 3/4 (830.0)	29 1/4 (741.0)
	480	67.0	3	2	CFRN726D5XS	M	358 (163)	55 1/4 (1402.0)	32 3/4 (830.0)	29 1/4 (741.0)
	240	100.0	3	8	CFRN736D3XS	M	392 (178)	62 1/4 (1580.0)	39 3/4 (1008.0)	36 1/4 (919.0)
	480	100.0	3	4	CFRN736D5XS	M	392 (178)	62 1/4 (1580.0)	39 3/4 (1008.0)	36 1/4 (919.0)
	240	133.0	3	8	CFRN744M3XS	M	425 (193)	69 7/8 (1774.8)	47 3/8 (1203.3)	43 7/8 (1114.4)
	480	133.0	3	4	CFRN744M5XS	M	425 (193)	69 7/8 (1774.8)	47 3/8 (1203.3)	43 7/8 (1114.4)
	240	167.0	3	8	CFRN754M3XS	M	463 (210)	79 3/8 (2016.1)	56 7/8 (1444.6)	53 3/8 (1355.7)
	480	167.0	3	8	CFRN754M5XS	M	463 (210)	79 3/8 (2016.1)	56 7/8 (1444.6)	53 3/8 (1355.7)
	480	200.0	3	8	CFRN763M5XS	M	511 (232)	88 3/8 (2244.7)	65 7/8 (1673.2)	62 3/8 (1584.3)
	480	233.0	3	8	CFRN773D5XS	M	554 (252)	98 3/8 (2498.7)	75 7/8 (1927.2)	72 3/8 (1838.3)
	480	267.0	3	8	CFRN782M5XS	M	587 (267)	98 3/8 (2498.7)	75 7/8 (1927.2)	72 3/8 (1838.3)

6 inch - 150 lb ANSI Flange



8 inch - 150 lb ANSI Flange



• M - Manufacturing lead times

⑤ When steel vessel materials are used in this application, some rust may be present in the process media

■ Truck Shipment only

Circulation Heaters

WATROD and FIREBAR Circulation Heaters



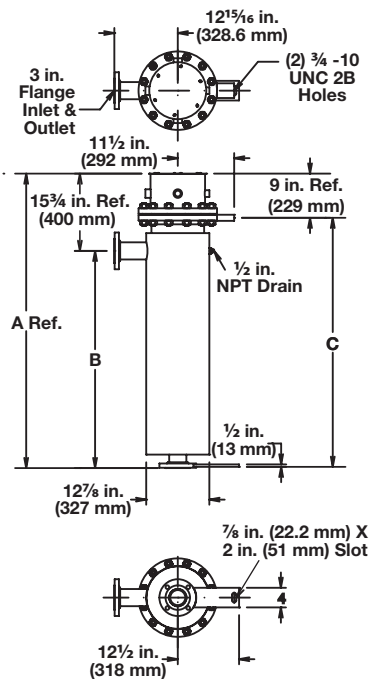
Application: Process Water[®]

- WATROD or FIREBAR elements
- Without thermostat
- General purpose enclosure

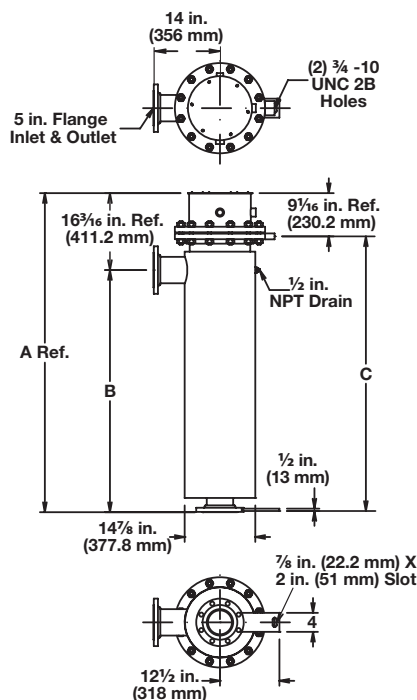
Description	Volts	kW	Ph	# Circ.	Part Number	Del.	Ship Wt. lbs (kg)	"A" Dim. in. (mm)	"B" Dim. in. (mm)	"C" Dim. in. (mm)
10 inch - 150 lb ANSI Flange (WATROD)										
48 W/in ² ⑥ Steel Tank 27-Alloy 800 Elements (7.5 W/cm ²)	480	262.0	3	9	CFSN773E5S	M	600 (273)	106 ⁵ / ₈ (2708.3)	90 ⁷ / ₈ (2308.2)	97 ⁵ / ₁₆ (2471.7)
12 inch, 150 lb ANSI Flange (WATROD)										
48 W/in ² Steel Tank 36-Alloy 800 Elements (7.5 W/cm ²)	480	350.0	3	12	CFTN773C5S	M	650 (295)	106 ¹ / ₂ (2705)	90 ³ / ₈ (2295.5)	97 ¹ / ₈ (2467.0)
14 inch - 150 lb ANSI Flange (WATROD)										
48 W/in ² Steel Tank 45-Alloy 800 Elements (7.5 W/cm ²)	480	315.0	3	15	CFWN754J5S	M	600 (273)	83 ¹ / ₄ (2115)	67 (1700)	73 ¹¹ / ₁₆ (1871.7)
	480	375.0	3	15	CFWN763J5S	M	650 (295)	90 ³ / ₄ (2305)	74 ¹ / ₂ (1891)	81 ³ / ₁₆ (2062.2)

- **M** - Manufacturing lead times
 Truck Shipment only
- ⑥ When steel vessel materials are used in this application, some rust may be present in the process media
- ⑧ Can be wired for 1-phase operation

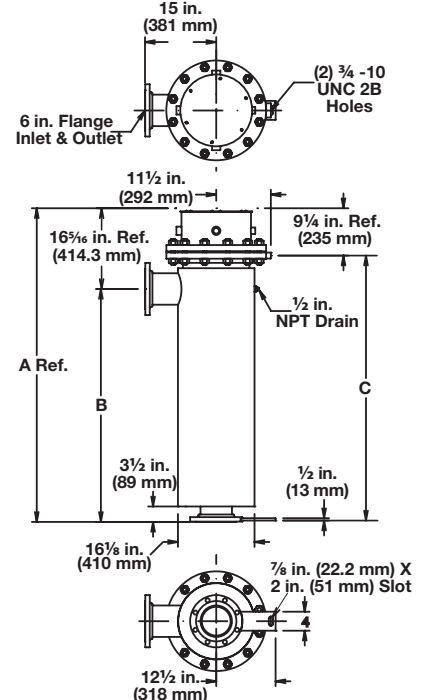
10 inch - 150 lb ANSI Flange



12 inch - 150 lb ANSI Flange



14 inch - 150 lb ANSI Flange



Circulation Heaters

WATROD and FIREBAR Circulation Heaters

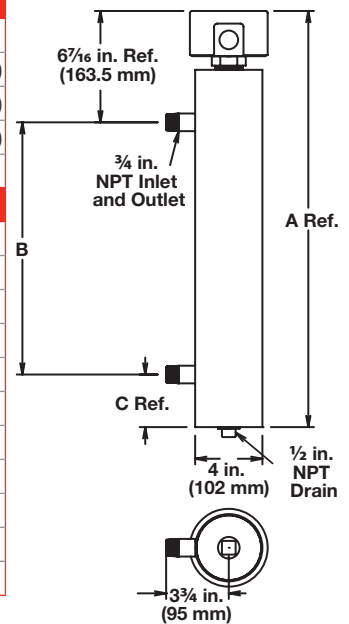


Application: Forced Air and Caustic Solutions

- WATROD or FIREBAR elements
- Without thermostat
- General purpose enclosure

Description	Volts	kW	Ph	# Circ.	Part Number	Del.	Ship Wt. lbs (kg)	"A" Dim. in. (mm)	"B" Dim. in. (mm)	"C" Dim. in. (mm)
1 1/4 inch NPT Screw Plug (WATROD)										
23 W/in ² ④	120/240	1.0	1	1	CBEN13G6S	RS	21 (10)	24 ⁵ / ₈ (625.5)	15 (381)	3 ¹ / ₈ (79.4)
Steel Tank	120/240	1.5	1	1	CBEN19A6S	RS	29 (14)	24 ⁵ / ₈ (625.5)	15 (381)	3 ¹ / ₈ (79.4)
2-Alloy 800	120/240	2.0	1	1	CBEN24G6S	RS	29 (14)	32 ⁵ / ₈ (828.7)	23 (584)	3 ¹ / ₈ (79.4)
Elements (3.6 W/cm ²)										
2 1/2 inch NPT Screw Plug (WATROD)										
23 W/in ² Steel Tank 3-Alloy 800 Elements (3.6 W/cm ²)	240	3.0	3	1	CBLNA17G3S	RS	24 (11)	34 ³ / ₄ (881)	22 ¹ / ₂ (572)	16 ¹ / ₂ (419)
	480	3.0	3	1	CBLNA17G5S	RS	24 (11)	34 ³ / ₄ (881)	22 ¹ / ₂ (572)	16 ¹ / ₂ (419)
	240	4.5	3	1	CBLNA24R3S	RS	27 (13)	44 ³ / ₄ (1135)	32 ¹ / ₂ (826)	26 ¹ / ₂ (673)
	480	4.5	3	1	CBLNA24R5S	RS	27 (13)	44 ³ / ₄ (1135)	32 ¹ / ₂ (826)	26 ¹ / ₂ (673)
	240	6.0	3	1	CBLNA32G3S	RS	29 (14)	44 ³ / ₄ (1135)	32 ¹ / ₂ (826)	26 ¹ / ₂ (673)
	480	6.0	3	1	CBLNA32G5S	RS	29 (14)	44 ³ / ₄ (1135)	32 ¹ / ₂ (826)	26 ¹ / ₂ (673)
	240	7.5	3	1	CBLNA39R3S	RS	31 (14)	57 ¹ / ₄ (1453)	45 (1143)	39 (991)
	480	7.5	3	1	CBLNA39R5S	RS	31 (14)	57 ¹ / ₄ (1453)	45 (1143)	39 (991)
	240	9.0	3	1	CBLNA47G3S	RS	32 (15)	57 ¹ / ₄ (1453)	45 (1143)	39 (991)
	480	9.0	3	1	CBLNA47G5S	RS	32 (15)	57 ¹ / ₄ (1453)	45 (1143)	39 (991)

1 1/4 inch NPT Screw Plug

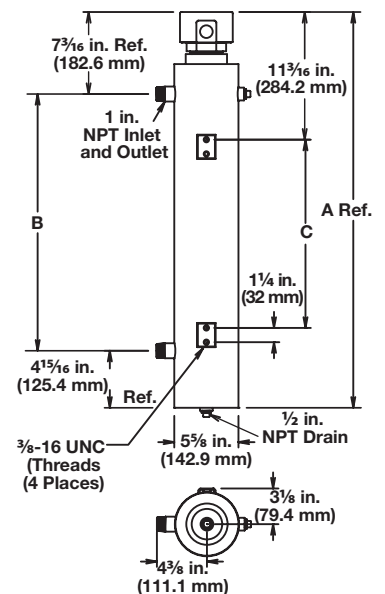


④ Wired for higher voltage

RAPID SHIP

- RS - Next day shipment up to 5 pieces

2 1/2 inch NPT Screw Plug



Circulation Heaters

WATROD and FIREBAR Circulation Heaters

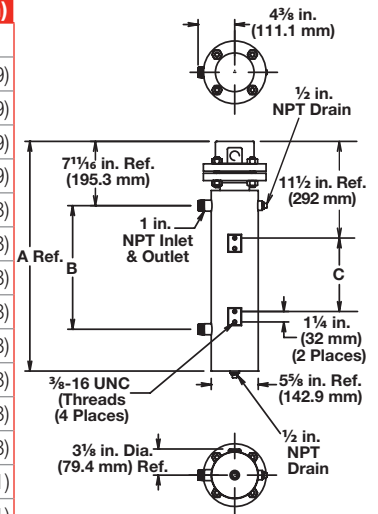


Application: Forced Air and Caustic Solutions

- WATROD or FIREBAR elements
- Without thermostat
- General purpose enclosure

Description	Volts	kW	Ph	# Circ.	Part Number	Del.	Ship Wt. lbs (kg)	"A" Dim. in. (mm)	"B" Dim. in. (mm)	"C" Dim. in. (mm)	
3 inch - 150 lb ANSI Flange (WATROD)											
23 W/in² Steel Tank 3-Alloy 800 Elements (3.6 W/cm²)	240	3.0	1	1	CFMNA18A10S	RS	68 (31)	35 ¹ / ₄ (894)	22 ¹ / ₂ (573)	16 ¹ / ₂ (419)	
	240	3.0	3	1	CFMNA18A3S	RS	68 (31)	35 ¹ / ₄ (894)	22 ¹ / ₂ (573)	16 ¹ / ₂ (419)	
	480	3.0	1	1	CFMNA18A11S	RS	68 (31)	35 ¹ / ₄ (894)	22 ¹ / ₂ (573)	16 ¹ / ₂ (419)	
	480	3.0	3	1	CFMNA18A5S	RS	68 (31)	35 ¹ / ₄ (894)	22 ¹ / ₂ (573)	16 ¹ / ₂ (419)	
	240	4.5	1	1	CFMNA25J10S	M	78 (36)	45 ¹ / ₄ (1148)	32 ¹ / ₂ (826)	26 ¹ / ₂ (673)	
	240	4.5	3	1	CFMNA25J3S	M	78 (36)	45 ¹ / ₄ (1148)	32 ¹ / ₂ (826)	26 ¹ / ₂ (673)	
	480	4.5	1	1	CFMNA25J11S	M	78 (36)	45 ¹ / ₄ (1148)	32 ¹ / ₂ (826)	26 ¹ / ₂ (673)	
	480	4.5	3	1	CFMNA25J5S	M	78 (36)	45 ¹ / ₄ (1148)	32 ¹ / ₂ (826)	26 ¹ / ₂ (673)	
	240	6.0	1	1	CFMNA33A10S	M	96 (44)	45 ¹ / ₄ (1148)	32 ¹ / ₂ (826)	26 ¹ / ₂ (673)	
	240	6.0	3	1	CFMNA33A3S	M	96 (44)	45 ¹ / ₄ (1148)	32 ¹ / ₂ (826)	26 ¹ / ₂ (673)	
	480	6.0	1	1	CFMNA33A11S	M	96 (44)	45 ¹ / ₄ (1148)	32 ¹ / ₂ (826)	26 ¹ / ₂ (673)	
	480	6.0	3	1	CFMNA33A5S	M	96 (44)	45 ¹ / ₄ (1148)	32 ¹ / ₂ (826)	26 ¹ / ₂ (673)	
	240	7.5	1	1	CFMNA40J10S	M	100 (46)	57 ³ / ₄ (1465)	45 (1143)	39 (991)	
	240	7.5	3	1	CFMNA40J3S	M	100 (46)	57 ³ / ₄ (1465)	45 (1143)	39 (991)	
	480	7.5	1	1	CFMNA40J11S	M	100 (46)	57 ³ / ₄ (1465)	45 (1143)	39 (991)	
	480	7.5	3	1	CFMNA40J5S	M	100 (46)	57 ³ / ₄ (1465)	45 (1143)	39 (991)	
	240	9.0	1	1	CFMNA48A10S	M	107 (49)	57 ³ / ₄ (1465)	45 (1143)	39 (991)	
	240	9.0	3	1	CFMNA48A3S	M	107 (49)	57 ³ / ₄ (1465)	45 (1143)	39 (991)	
480	9.0	1	1	CFMNA48A11S	M	107 (49)	57 ³ / ₄ (1465)	45 (1143)	39 (991)		
480	9.0	3	1	CFMNA48A5S	M	107 (49)	57 ³ / ₄ (1465)	45 (1143)	39 (991)		

3 inch - 150 lb ANSI Flange



RAPID SHIP

- RS - Next day shipment up to 5 pieces
- M - Manufacturing lead times

Truck Shipment only

Circulation Heaters

WATROD and FIREBAR Circulation Heaters

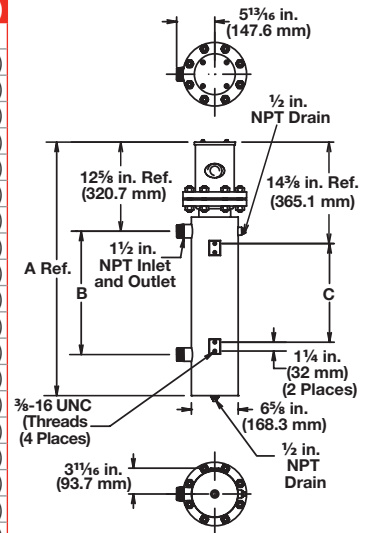


Application: Forced Air and Caustic Solutions

- WATROD or FIREBAR elements
- Without thermostat
- General purpose enclosure

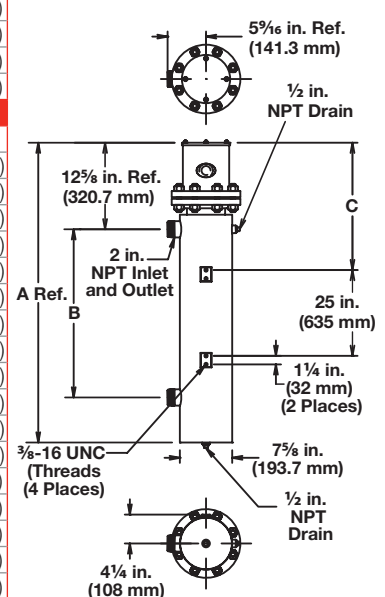
Description	Volts	kW	Ph	# Circ.	Part Number	Del.	Ship Wt. lbs (kg)	"A" Dim. in. (mm)	"B" Dim. in. (mm)	"C" Dim. in. (mm)
4 inch - 150 lb ANSI Flange (WATROD)										
23 W/in ² ⑥	240	6.0	1	1	CFONA18A10S	M	125 (57)	39 (989)	20 1/2 (521)	17 (432)
Steel Tank	240	6.0	3	1	CFONA18A3S	M	125 (57)	39 (989)	20 1/2 (521)	17 (432)
6-Alloy 800 Elements (3.6 W/cm ²)	480	6.0	1	1	CFONA18A11S	M	125 (57)	39 (989)	20 1/2 (521)	17 (432)
	480	6.0	3	1	CFONA18A5S	M	125 (57)	39 (989)	20 1/2 (521)	17 (432)
	240	9.0	1	1	CFONA25J10S	M	160 (73)	39 (989)	20 1/2 (521)	17 (432)
	240	9.0	3	1	CFONA25J3S	M	160 (73)	39 (989)	20 1/2 (521)	17 (432)
	480	9.0	1	1	CFONA25J11S	M	160 (73)	39 (989)	20 1/2 (521)	17 (432)
	480	9.0	3	1	CFONA25J5S	M	160 (73)	39 (989)	20 1/2 (521)	17 (432)
	240	12.0	1	2	CFONA33A10S	M	163 (74)	49 1/2 (1256)	31 (787)	27 1/2 (699)
	240	12.0	3	1	CFONA33A3S	M	163 (74)	49 1/2 (1256)	31 (787)	27 1/2 (699)
	480	12.0	1	1	CFONA33A11S	M	163 (74)	49 1/2 (1256)	31 (787)	27 1/2 (699)
	480	12.0	3	1	CFONA33A5S	M	163 (74)	49 1/2 (1256)	31 (787)	27 1/2 (699)
	240	15.0	1	2	CFONA40J10S	M	229 (104)	70 1/2 (1789)	52 (1321)	48 1/2 (1232)
	240	15.0	3	1	CFONA40J3S	M	229 (104)	70 1/2 (1789)	52 (1321)	48 1/2 (1232)
	480	15.0	1	1	CFONA40J11S	M	229 (104)	70 1/2 (1789)	52 (1321)	48 1/2 (1232)
	480	15.0	3	1	CFONA40J5S	M	229 (104)	70 1/2 (1789)	52 (1321)	48 1/2 (1232)
	240	18.0	1	2	CFONA48A10S	M	234 (107)	70 1/2 (1789)	52 (1321)	48 1/2 (1232)
	240	18.0	3	1	CFONA48A3S	M	234 (107)	70 1/2 (1789)	52 (1321)	48 1/2 (1232)
	480	18.0	1	1	CFONA48A11S	M	234 (107)	70 1/2 (1789)	52 (1321)	48 1/2 (1232)
	480	18.0	3	1	CFONA48A5S	M	234 (107)	70 1/2 (1789)	52 (1321)	48 1/2 (1232)
240	25.0	3	2	CFONA64J3S	M	298 (136)	91 1/2 (2326)	73 (1854)	66 (1676)	
480	25.0	1	2	CFONA64J11S	M	298 (136)	91 1/2 (2326)	73 (1854)	66 (1676)	
480	25.0	3	1	CFONA64J5S	M	298 (136)	91 1/2 (2326)	73 (1854)	66 (1676)	
240	30.0	3	2	CFONA77A3S	M	306 (139)	91 1/2 (2326)	73 (1854)	66 (1676)	
480	30.0	1	2	CFONA77A11S	M	306 (139)	91 1/2 (2326)	73 (1854)	66 (1676)	
480	30.0	3	1	CFONA77A5S	M	306 (139)	91 1/2 (2326)	73 (1854)	66 (1676)	

4 inch - 150 lb ANSI Flange



5 inch - 150 lb ANSI Flange (WATROD)										
23 W/in ² ⑥	240	9.0	1	1	CFNNA25J10S	M	140 (64)	49 1/4 (1249.0)	30 (762.0)	14 7/8 (377.8)
Steel Tank	240	9.0	3	1	CFNNA25J3S	M	140 (64)	49 1/4 (1249.0)	30 (762.0)	14 7/8 (377.8)
6-Alloy 800 Elements (3.6 W/cm ²)	480	9.0	1	1	CFNNA25J11S	M	140 (64)	49 1/4 (1249.0)	30 (762.0)	14 7/8 (377.8)
	480	9.0	3	1	CFNNA25J5S	M	140 (64)	49 1/4 (1249.0)	30 (762.0)	14 7/8 (377.8)
	240	12.0	1	2	CFNNA33A10S	M	145 (66)	56 1/4 (1427.0)	37 (940.0)	18 5/8 (473.1)
	240	12.0	3	1	CFNNA33A3S	M	145 (66)	56 1/4 (1427.0)	37 (940.0)	18 5/8 (473.1)
	480	12.0	1	1	CFNNA33A11S	M	145 (66)	56 1/4 (1427.0)	37 (940.0)	18 5/8 (473.1)
	480	12.0	3	1	CFNNA33A5S	M	145 (66)	56 1/4 (1427.0)	37 (940.0)	18 5/8 (473.1)
	240	15.0	1	2	CFNNA40J10S	M	167 (76)	56 1/4 (1427.0)	37 (940.0)	18 5/8 (473.1)
	240	15.0	3	1	CFNNA40J3S	M	167 (76)	56 1/4 (1427.0)	37 (940.0)	18 5/8 (473.1)
	480	15.0	1	1	CFNNA40J11S	M	167 (76)	56 1/4 (1427.0)	37 (940.0)	18 5/8 (473.1)
	480	15.0	3	1	CFNNA40J5S	M	167 (76)	56 1/4 (1427.0)	37 (940.0)	18 5/8 (473.1)
	240	18.0	1	2	CFNNA48A10S	M	180 (82)	67 3/4 (1719.0)	48 1/2 (1232.0)	25 (633.0)
	240	18.0	3	1	CFNNA48A3S	M	180 (82)	67 3/4 (1719.0)	48 1/2 (1232.0)	25 (633.0)
	480	18.0	1	1	CFNNA48A11S	M	180 (82)	67 3/4 (1719.0)	48 1/2 (1232.0)	25 (633.0)
	480	18.0	3	1	CFNNA48A5S	M	180 (82)	67 3/4 (1719.0)	48 1/2 (1232.0)	25 (633.0)
	240	25.0	3	2	CFNNA64J3S	M	195 (89)	81 1/8 (2060.6)	61 7/8 (1571.6)	25 (633.0)
	480	25.0	1	2	CFNNA64J11S	M	195 (89)	81 1/8 (2060.6)	61 7/8 (1571.6)	25 (633.0)
	480	25.0	3	1	CFNNA64J5S	M	195 (89)	81 1/8 (2060.6)	61 7/8 (1571.6)	25 (633.0)
	240	30.0	3	2	CFNNA77A3S	M	220 (100)	94 1/8 (2390.8)	75 (1902.0)	25 (633.0)
480	30.0	1	2	CFNNA77A11S	M	220 (100)	94 1/8 (2390.8)	75 (1902.0)	25 (633.0)	
480	30.0	3	1	CFNNA77A5S	M	220 (100)	94 1/8 (2390.8)	75 (1902.0)	25 (633.0)	

5 inch - 150 lb ANSI Flange



• M - Manufacturing lead times

⑥ Can be wired 3-phase wye to produce 1/3 of the rated kW and watt density

■ Truck Shipment only

Circulation Heaters

WATROD and FIREBAR Circulation Heaters

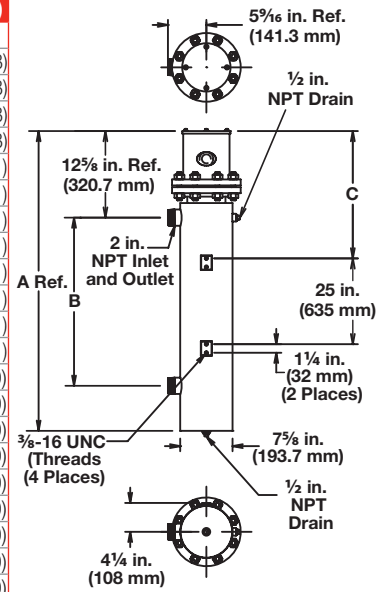


Application: Forced Air and Caustic Solutions

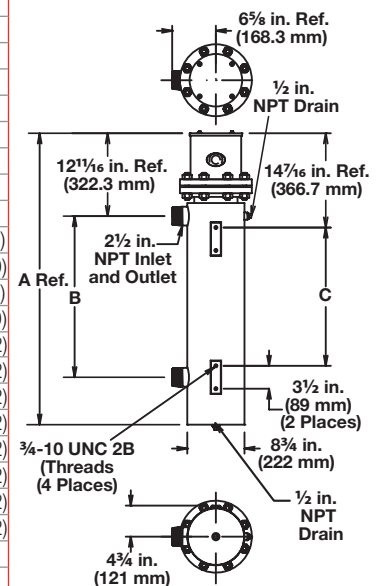
- WATROD or FIREBAR elements
- Without thermostat
- General purpose enclosure

Description	Volts	kW	Ph	# Circ.	Part Number	Del.	Ship Wt. lbs (kg)	"A" Dim. in. (mm)	"B" Dim. in. (mm)	"C" Dim. in. (mm)
5 inch - 150 lb ANSI Flange (WATROD)										
23 W/in² © Steel Tank 9-Alloy 800 Elements (3.6 W/cm²)	240	14.0	1	3	CFNNA25J10XS	M	145 (66)	49 ¹ / ₄ (1249.0)	30 (762.0)	14 ⁷ / ₈ (377.8)
	240	14.0	3	1	CFNNA25J3XS	M	145 (66)	49 ¹ / ₄ (1249.0)	30 (762.0)	14 ⁷ / ₈ (377.8)
	480	14.0	1	1	CFNNA25J11XS	M	145 (66)	49 ¹ / ₄ (1249.0)	30 (762.0)	14 ⁷ / ₈ (377.8)
	480	14.0	3	1	CFNNA25J5XS	M	145 (66)	49 ¹ / ₄ (1249.0)	30 (762.0)	14 ⁷ / ₈ (377.8)
	240	18.0	1	3	CFNNA33A10XS	M	150 (68)	56 ¹ / ₄ (1427.0)	37 (940.0)	18 ⁵ / ₈ (473.1)
	240	18.0	3	1	CFNNA33A3XS	M	150 (68)	56 ¹ / ₄ (1427.0)	37 (940.0)	18 ⁵ / ₈ (473.1)
	480	18.0	1	1	CFNNA33A11XS	M	150 (68)	56 ¹ / ₄ (1427.0)	37 (940.0)	18 ⁵ / ₈ (473.1)
	480	18.0	3	1	CFNNA33A5XS	M	150 (68)	56 ¹ / ₄ (1427.0)	37 (940.0)	18 ⁵ / ₈ (473.1)
	240	23.0	1	3	CFNNA40J10XS	M	174 (79)	56 ¹ / ₄ (1427.0)	37 (940.0)	18 ⁵ / ₈ (473.1)
	240	23.0	3	3	CFNNA40J3XS	M	174 (79)	56 ¹ / ₄ (1427.0)	37 (940.0)	18 ⁵ / ₈ (473.1)
	480	23.0	1	1	CFNNA40J11XS	M	174 (79)	56 ¹ / ₄ (1427.0)	37 (940.0)	18 ⁵ / ₈ (473.1)
	480	23.0	3	1	CFNNA40J5XS	M	174 (79)	56 ¹ / ₄ (1427.0)	37 (940.0)	18 ⁵ / ₈ (473.1)
	240	27.0	1	3	CFNNA48A10XS	M	189 (86)	67 ³ / ₄ (1719.0)	48 ¹ / ₂ (1232.0)	25 (633.0)
	240	27.0	3	3	CFNNA48A3XS	M	189 (86)	67 ³ / ₄ (1719.0)	48 ¹ / ₂ (1232.0)	25 (633.0)
	480	27.0	1	3	CFNNA48A11XS	M	189 (86)	67 ³ / ₄ (1719.0)	48 ¹ / ₂ (1232.0)	25 (633.0)
	480	27.0	3	1	CFNNA48A5XS	M	189 (86)	67 ³ / ₄ (1719.0)	48 ¹ / ₂ (1232.0)	25 (633.0)
	240	38.0	3	3	CFNNA64J3XS	M	207 (94)	81 ¹ / ₈ (2060.6)	61 ⁷ / ₈ (1571.6)	25 (633.0)
	480	38.0	1	3	CFNNA64J11XS	M	207 (94)	81 ¹ / ₈ (2060.6)	61 ⁷ / ₈ (1571.6)	25 (633.0)
	480	38.0	3	1	CFNNA64J5XS	M	207 (94)	81 ¹ / ₈ (2060.6)	61 ⁷ / ₈ (1571.6)	25 (633.0)
	240	45.0	3	3	CFNNA77A3XS	M	233 (106)	94 ¹ / ₈ (2389.0)	75 (1902.0)	25 (633.0)
480	45.0	1	3	CFNNA77A11XS	M	233 (106)	94 ¹ / ₈ (2389.0)	75 (1902.0)	25 (633.0)	
480	45.0	3	3	CFNNA77A5XS	M	233 (106)	94 ¹ / ₈ (2389.0)	75 (1902.0)	25 (633.0)	
6 inch - 150 lb ANSI Flange (WATROD)										
23 W/in² © Steel Tank 12-Alloy 800 Elements (3.6 W/cm²)	240	12.0	1	2	CFPNA17R10S	M	214 (97)	40 ¹ / ₂ (1027)	20 ¹ / ₂ (521)	17 (432)
	240	12.0	3	1	CFPNA17R3S	M	214 (97)	40 ¹ / ₂ (1027)	20 ¹ / ₂ (521)	17 (432)
	480	12.0	1	1	CFPNA17R11S	M	214 (97)	40 ¹ / ₂ (1027)	20 ¹ / ₂ (521)	17 (432)
	480	12.0	3	1	CFPNA17R5S	M	214 (97)	40 ¹ / ₂ (1027)	20 ¹ / ₂ (521)	17 (432)
	240	18.0	1	2	CFPNA25G10S	M	222 (101)	40 ¹ / ₂ (1027)	20 ¹ / ₂ (521)	17 (432)
	240	18.0	3	1	CFPNA25G3S	M	222 (101)	40 ¹ / ₂ (1027)	20 ¹ / ₂ (521)	17 (432)
	480	18.0	1	1	CFPNA25G11S	M	222 (101)	40 ¹ / ₂ (1027)	20 ¹ / ₂ (521)	17 (432)
	480	18.0	3	1	CFPNA25G5S	M	222 (101)	40 ¹ / ₂ (1027)	20 ¹ / ₂ (521)	17 (432)
	240	24.0	1	3	CFPNA32R10S	M	226 (103)	51 (1294)	31 (787)	27 ¹ / ₂ (699)
	240	24.0	3	2	CFPNA32R3S	M	226 (103)	51 (1294)	31 (787)	27 ¹ / ₂ (699)
	480	24.0	1	2	CFPNA32R11S	M	226 (103)	51 (1294)	31 (787)	27 ¹ / ₂ (699)
	480	24.0	3	1	CFPNA32R5S	M	226 (103)	51 (1294)	31 (787)	27 ¹ / ₂ (699)
	240	30.0	1	3	CFPNA40G10S	M	290 (132)	72 (1827)	52 (1321)	48 ¹ / ₂ (1232)
	240	30.0	3	2	CFPNA40G3S	M	290 (132)	72 (1827)	52 (1321)	48 ¹ / ₂ (1232)
	480	30.0	1	2	CFPNA40G11S	M	290 (132)	72 (1827)	52 (1321)	48 ¹ / ₂ (1232)
	480	30.0	3	1	CFPNA40G5S	M	290 (132)	72 (1827)	52 (1321)	48 ¹ / ₂ (1232)
	240	36.0	1	4	CFPNA47R10S	M	298 (136)	72 (1827)	52 (1321)	48 ¹ / ₂ (1232)
	240	36.0	3	2	CFPNA47R3S	M	298 (136)	72 (1827)	52 (1321)	48 ¹ / ₂ (1232)
	480	36.0	1	2	CFPNA47R11S	M	298 (136)	72 (1827)	52 (1321)	48 ¹ / ₂ (1232)
	480	36.0	3	1	CFPNA47R5S	M	298 (136)	72 (1827)	52 (1321)	48 ¹ / ₂ (1232)
240	50.0	3	4	CFPNA64G3S	M	360 (164)	93 (2361)	73 (1854)	66 (1676)	
480	50.0	1	3	CFPNA64G11S	M	360 (164)	93 (2361)	73 (1854)	66 (1676)	
480	50.0	3	2	CFPNA64G5S	M	360 (164)	93 (2361)	73 (1854)	66 (1676)	
240	60.0	3	4	CFPNA76R3S	M	368 (167)	93 (2361)	73 (1854)	66 (1676)	
480	60.0	1	3	CFPNA76R11S	M	368 (167)	93 (2361)	73 (1854)	66 (1676)	
480	60.0	3	2	CFPNA76R5S	M	368 (167)	93 (2361)	73 (1854)	66 (1676)	

5 inch - 150 lb ANSI Flange



6 inch - 150 lb ANSI Flange



• M - Manufacturing lead times

© Can be wired 3-phase wye to produce 1/3 of the rated kW and watt density

Truck Shipment only

Circulation Heaters

WATROD and FIREBAR Circulation Heaters

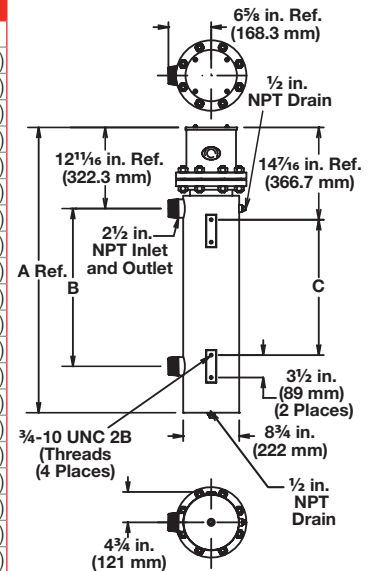


Application: Forced Air and Caustic Solutions

- WATROD or FIREBAR elements
- Without thermostat
- General purpose enclosure

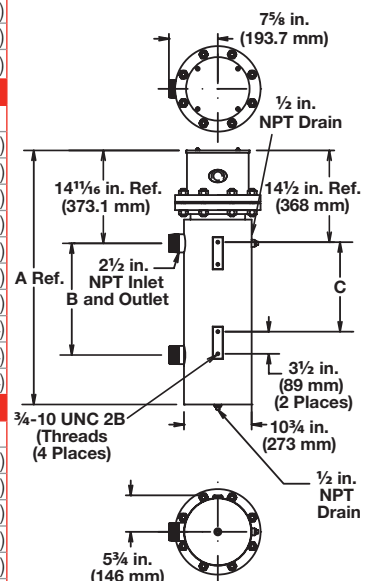
Description	Volts	kW	Ph	# Circ.	Part Number	Del.	Ship Wt. lbs (kg)	"A" Dim. in. (mm)	"B" Dim. in. (mm)	"C" Dim. in. (mm)
6 inch - 150 lb ANSI Flange (WATROD)										
23 W/in ² Steel Tank	240	15.0	1	3	CFPNA17R10XS	M	217 (99)	40 ¹ / ₂ (1027)	20 ¹ / ₂ (521)	17 (432)
15-Alloy 800 Elements (3.6 W/cm ²)	480	15.0	1	1	CFPNA17R3XS	M	217 (99)	40 ¹ / ₂ (1027)	20 ¹ / ₂ (521)	17 (432)
	480	15.0	3	1	CFPNA17R11XS	M	217 (99)	40 ¹ / ₂ (1027)	20 ¹ / ₂ (521)	17 (432)
	480	15.0	3	1	CFPNA17R5XS	M	217 (99)	40 ¹ / ₂ (1027)	20 ¹ / ₂ (521)	17 (432)
	240	23.0	1	3	CFPNA25G10XS	M	226 (103)	40 ¹ / ₂ (1027)	20 ¹ / ₂ (521)	17 (432)
	240	23.0	3	5	CFPNA25G3XS	M	226 (103)	40 ¹ / ₂ (1027)	20 ¹ / ₂ (521)	17 (432)
	480	23.0	1	1	CFPNA25G11XS	M	226 (103)	40 ¹ / ₂ (1027)	20 ¹ / ₂ (521)	17 (432)
	480	23.0	3	1	CFPNA25G5XS	M	226 (103)	40 ¹ / ₂ (1027)	20 ¹ / ₂ (521)	17 (432)
	240	30.0	1	3	CFPNA32R10XS	M	288 (131)	51 (1294)	31 (787)	27 ¹ / ₂ (699)
	240	30.0	3	5	CFPNA32R3XS	M	288 (131)	51 (1294)	31 (787)	27 ¹ / ₂ (699)
	480	30.0	1	3	CFPNA32R11XS	M	288 (131)	51 (1294)	31 (787)	27 ¹ / ₂ (699)
	480	30.0	3	1	CFPNA32R5XS	M	288 (131)	51 (1294)	31 (787)	27 ¹ / ₂ (699)
	240	38.0	1	5	CFPNA40G10XS	M	296 (135)	72 (1827)	52 (1321)	48 ¹ / ₂ (1232)
	240	38.0	3	5	CFPNA40G3XS	M	296 (135)	72 (1827)	52 (1321)	48 ¹ / ₂ (1232)
	480	38.0	1	3	CFPNA40G11XS	M	296 (135)	72 (1827)	52 (1321)	48 ¹ / ₂ (1232)
	480	38.0	3	1	CFPNA40G5XS	M	296 (135)	72 (1827)	52 (1321)	48 ¹ / ₂ (1232)
	240	45.0	1	5	CFPNA47R10XS	M	306 (139)	72 (1827)	52 (1321)	48 ¹ / ₂ (1232)
	240	45.0	3	5	CFPNA47R3XS	M	306 (139)	72 (1827)	52 (1321)	48 ¹ / ₂ (1232)
	480	45.0	1	3	CFPNA47R11XS	M	306 (139)	72 (1827)	52 (1321)	48 ¹ / ₂ (1232)
	480	45.0	3	5	CFPNA47R5XS	M	306 (139)	72 (1827)	52 (1321)	48 ¹ / ₂ (1232)
	240	63.0	3	5	CFPNA64G3XS	M	370 (168)	93 (2361)	73 (1854)	66 (1676)
	480	63.0	1	3	CFPNA64G11XS	M	370 (168)	93 (2361)	73 (1854)	66 (1676)
	480	63.0	3	5	CFPNA64G5XS	M	370 (168)	93 (2361)	73 (1854)	66 (1676)
	240	75.0	3	5	CFPNA76R3XS	M	381 (173)	93 (2361)	73 (1854)	66 (1676)
	480	75.0	1	5	CFPNA76R11XS	M	381 (173)	93 (2361)	73 (1854)	66 (1676)
	480	75.0	3	5	CFPNA76R5XS	M	381 (173)	93 (2361)	73 (1854)	66 (1676)

6 inch - 150 lb ANSI Flange



8 inch - 150 lb ANSI Flange (WATROD)										
23 W/in ² Steel Tank	240	30.0	1	3	CFRNA32N10S	M	370 (168)	55 ¹ / ₄ (1402.0)	32 ³ / ₄ (830.0)	29 ¹ / ₄ (741.0)
18-Alloy 800 Elements (3.6 W/cm ²)	480	30.0	1	2	CFRNA32N3S	M	370 (168)	55 ¹ / ₄ (1402.0)	32 ³ / ₄ (830.0)	29 ¹ / ₄ (741.0)
	480	30.0	1	2	CFRNA32N11S	M	370 (168)	55 ¹ / ₄ (1402.0)	32 ³ / ₄ (830.0)	29 ¹ / ₄ (741.0)
	480	30.0	3	1	CFRNA32N5S	M	370 (168)	55 ¹ / ₄ (1402.0)	32 ³ / ₄ (830.0)	29 ¹ / ₄ (741.0)
	240	40.0	3	3	CFRNA43E3S	M	410 (186)	62 ¹ / ₄ (1580.0)	39 ³ / ₄ (1008.0)	36 ¹ / ₄ (919.0)
	480	40.0	1	2	CFRNA43E11S	M	410 (186)	62 ¹ / ₄ (1580.0)	39 ³ / ₄ (1008.0)	36 ¹ / ₄ (919.0)
	480	40.0	3	3	CFRNA43E5S	M	410 (186)	62 ¹ / ₄ (1580.0)	39 ³ / ₄ (1008.0)	36 ¹ / ₄ (919.0)
	240	50.0	3	3	CFRNA51M3S	M	440 (200)	69 ⁷ / ₈ (1774.8)	47 ³ / ₈ (1203.3)	43 ⁷ / ₈ (1114.4)
	480	50.0	1	3	CFRNA51M11S	M	440 (200)	69 ⁷ / ₈ (1774.8)	47 ³ / ₈ (1203.3)	43 ⁷ / ₈ (1114.4)
	480	50.0	3	2	CFRNA51M5S	M	440 (200)	69 ⁷ / ₈ (1774.8)	47 ³ / ₈ (1203.3)	43 ⁷ / ₈ (1114.4)

8 inch - 150 lb ANSI Flange



8 inch - 150 lb ANSI Flange (WATROD)										
23 W/in ² Steel Tank	240	40.0	1	4	CFRNA33D10XS	M	382 (174)	55 ¹ / ₄ (1402.0)	32 ³ / ₄ (830.0)	29 ¹ / ₄ (741.0)
24-Alloy 800 Elements (3.6 W/cm ²)	480	40.0	1	2	CFRNA33D3XS	M	382 (174)	55 ¹ / ₄ (1402.0)	32 ³ / ₄ (830.0)	29 ¹ / ₄ (741.0)
	480	40.0	1	2	CFRNA33D11XS	M	382 (174)	55 ¹ / ₄ (1402.0)	32 ³ / ₄ (830.0)	29 ¹ / ₄ (741.0)
	480	40.0	3	2	CFRNA33D5XS	M	382 (174)	55 ¹ / ₄ (1402.0)	32 ³ / ₄ (830.0)	29 ¹ / ₄ (741.0)
	240	53.0	3	4	CFRNA43M3XS	M	425 (193)	62 ¹ / ₄ (1580.0)	39 ³ / ₄ (1008.0)	36 ¹ / ₄ (919.0)
	480	53.0	1	3	CFRNA43M11XS	M	425 (193)	62 ¹ / ₄ (1580.0)	39 ³ / ₄ (1008.0)	36 ¹ / ₄ (919.0)
	480	53.0	3	2	CFRNA43M5XS	M	425 (193)	62 ¹ / ₄ (1580.0)	39 ³ / ₄ (1008.0)	36 ¹ / ₄ (919.0)
	240	67.0	3	4	CFRNA51M3XS	M	457 (207)	69 ⁷ / ₈ (1774.8)	47 ³ / ₈ (1203.3)	43 ⁷ / ₈ (1114.4)
	480	67.0	1	3	CFRNA51M11XS	M	457 (207)	69 ⁷ / ₈ (1774.8)	47 ³ / ₈ (1203.3)	43 ⁷ / ₈ (1114.4)
	480	67.0	3	2	CFRNA51M5XS	M	457 (207)	69 ⁷ / ₈ (1774.8)	47 ³ / ₈ (1203.3)	43 ⁷ / ₈ (1114.4)

• M - Manufacturing lead times

■ Truck Shipment only

Circulation Heaters

WATROD and FIREBAR Circulation Heaters



Application: Forced Air and Caustic Solutions

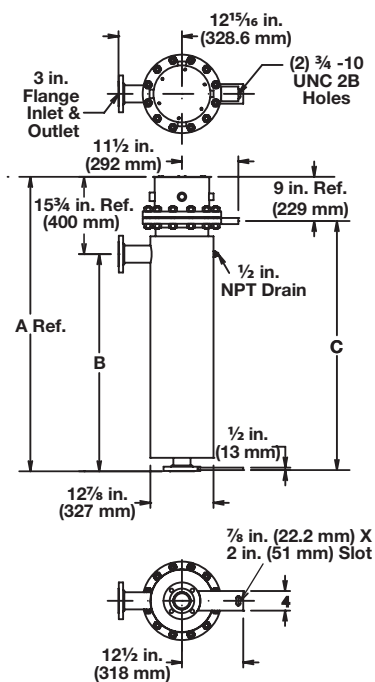
- WATROD or FIREBAR elements
- Without thermostat
- General purpose enclosure

Description	Volts	kW	Ph	# Circ.	Part Number	Del.	Ship Wt. lbs (kg)	"A" Dim. in. (mm)	"B" Dim. in. (mm)	"C" Dim. in. (mm)
10 inch - 150 lb ANSI Flange (WATROD)										
23 W/in ² Steel Tank 27-Alloy 800 Elements (3.6 W/cm ²)	240	60.0	3	3	CFSNA43N3S	M	515 (234)	76 ⁵ / ₈ (1946.3)	60 ⁷ / ₈ (1546.2)	67 ⁵ / ₁₆ (1709.7)
	480	60.0	3	3	CFSNA43N5S	M	515 (234)	76 ⁵ / ₈ (1946.3)	60 ⁷ / ₈ (1546.2)	67 ⁵ / ₁₆ (1709.7)
	240	75.0	3	9	CFSNA51N3S	M	530 (241)	84 ¹ / ₈ (2136.8)	68 ³ / ₈ (1736.2)	74 ¹³ / ₁₆ (1900.2)
	480	75.0	3	3	CFSNA51N5S	M	530 (241)	84 ¹ / ₈ (2136.8)	68 ³ / ₈ (1736.2)	74 ¹³ / ₁₆ (1900.2)
12 inch - 150 lb ANSI Flange (WATROD)										
23 W/in ² Steel Tank 36-Alloy 800 Elements (3.6 W/cm ²)	480	80.0	3	3	CFTNA43L5S	M	565 (257)	76 ⁷ / ₈ (1952.6)	60 ³ / ₄ (1541)	67 ¹ / ₂ (1714.0)
	480	100.0	3	3	CFTNA51L5S	M	585 (266)	84 ³ / ₈ (2143.1)	68 ¹ / ₄ (1732)	75 (1905.0)
14 inch - 150 lb ANSI Flange (WATROD)										
23 W/in ² Steel Tank 45-Alloy 800 Elements (3.6 W/cm ²)	480	100.0	3	3	CFWNA43J5S	M	570 (259)	75 ³ / ₄ (1924)	59 ¹ / ₂ (1510)	66 ³ / ₁₆ (1681.2)
	480	125.0	3	5	CFWNA51J5S	M	590 (268)	83 ¹ / ₄ (2115)	67 (1700)	73 ¹¹ / ₁₆ (1871.7)

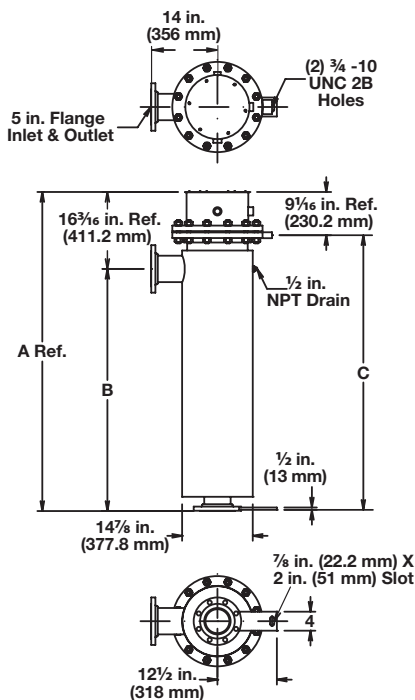
• M - Manufacturing lead times

Truck Shipment only

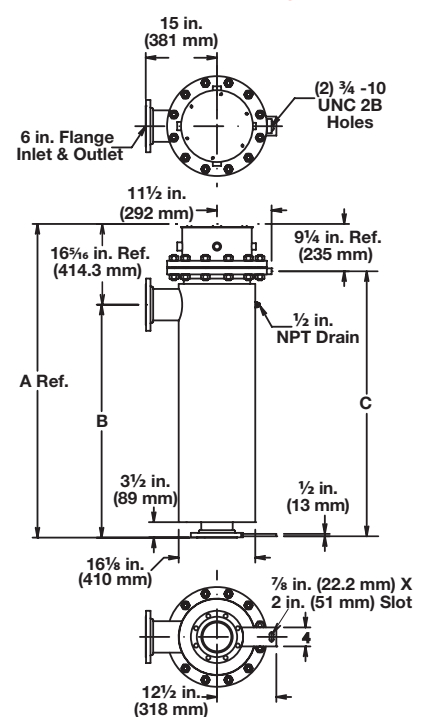
10 inch - 150 lb ANSI Flange



12 inch - 150 lb ANSI Flange



14 inch - 150 lb ANSI Flange



Circulation Heaters

WATROD and FIREBAR Circulation Heaters

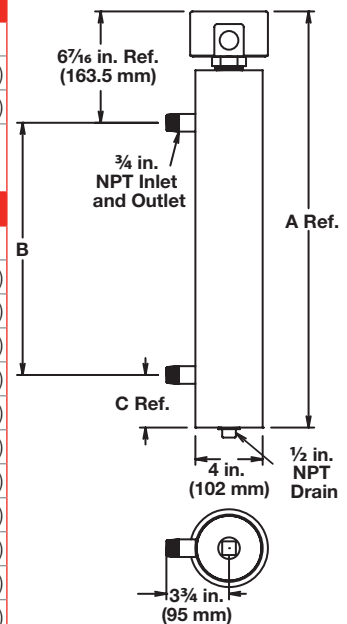


Application: Lightweight Oils and Heat Transfer Oils

- WATROD or FIREBAR elements
- Without thermostat
- General purpose enclosure

Description	Volts	kW	Ph	# Circ.	Part Number	Del.	Ship Wt. lbs (kg)	"A" Dim. in. (mm)	"B" Dim. in. (mm)	"C" Dim. in. (mm)
1 1/4 inch NPT Screw Plug (WATROD)										
23 W/in² Steel Tank 2-Steel Element (3.6 W/cm²)	120/240	1.5	1	1	CBES19G6S	RS	29 (14)	24 ⁵ / ₈ (625.5)	15 (381)	3 ¹ / ₈ (79.4)
	120/240	2.0	1	1	CBES25G6S	RS	29 (14)	32 ⁵ / ₈ (828.7)	23 (584)	3 (76.0)
1 1/4 inch NPT Screw Plug (FIREBAR)										
30 W/in² Steel Tank 1-Alloy 800 Element (4.7 W/cm²)	240	1.7	3	1	CBDNF16G12S	M	26 (12)	24 ⁵ / ₈ (625.5)	15 (381)	3 ¹ / ₈ (79.4)
	480	1.7	3	1	CBDNF16G13S	M	26 (12)	24 ⁵ / ₈ (625.5)	15 (381)	3 ¹ / ₈ (79.4)
	240	2.2	3	1	CBDNF19G12S	M	30 (14)	32 ⁵ / ₈ (828.7)	23 (584)	3 ¹ / ₈ (79.4)
	480	2.2	3	1	CBDNF19G13S	M	30 (14)	32 ⁵ / ₈ (828.7)	23 (584)	3 ¹ / ₈ (79.4)
	240	2.8	3	1	CBDNF24L12S	M	31 (14)	32 ⁵ / ₈ (828.7)	23 (584)	3 ¹ / ₈ (79.4)
	480	2.8	3	1	CBDNF24L13S	M	31 (14)	32 ⁵ / ₈ (828.7)	23 (584)	3 ¹ / ₈ (79.4)
	240	3.5	3	1	CBDNF29R12S	M	43 (20)	42 ⁵ / ₈ (1082.7)	32 (813)	4 ³ / ₈ (111.1)
	480	3.5	3	1	CBDNF29R13S	M	43 (20)	42 ⁵ / ₈ (1082.7)	32 (813)	4 ³ / ₈ (111.1)
	240	4.3	3	1	CBDNF34R12S	M	44 (20)	42 ⁵ / ₈ (1082.7)	32 (813)	4 ³ / ₈ (111.1)
	480	4.3	3	1	CBDNF34R13S	M	44 (20)	42 ⁵ / ₈ (1082.7)	32 (813)	4 ³ / ₈ (111.1)
	240	5.7	3	1	CBDNF45G12S	M	69 (32)	63 ⁵ / ₈ (1616.1)	53 (1346)	4 ³ / ₈ (111.1)
	480	5.7	3	1	CBDNF45G13S	M	69 (32)	63 ⁵ / ₈ (1616.1)	53 (1346)	4 ³ / ₈ (111.1)
	240	7.2	3	1	CBDNF55R12S	M	71 (33)	63 ⁵ / ₈ (1616.1)	53 (1346)	4 ³ / ₈ (111.1)
	480	7.2	3	1	CBDNF55R13S	M	71 (33)	63 ⁵ / ₈ (1616.1)	53 (1346)	4 ³ / ₈ (111.1)
1 1/4 inch NPT Screw Plug (FIREBAR)										
23 W/in² Steel Tank 1-Alloy 800 Element (3.6 W/cm²)	240	1.25	3	1	CBDNF16G20S	M	26 (12)	24 ⁵ / ₈ (625.5)	15 (381)	3 ¹ / ₈ (79.4)
	240	1.65	3	1	CBDNF19G20S	M	30 (14)	32 ⁵ / ₈ (828.7)	23 (584)	3 ¹ / ₈ (79.4)
	240	2.15	3	1	CBDNF24L20S	M	31 (14)	32 ⁵ / ₈ (828.7)	23 (584)	3 ¹ / ₈ (79.4)
	480	2.15	3	1	CBDNF24L19S	M	31 (14)	32 ⁵ / ₈ (828.7)	23 (584)	3 ¹ / ₈ (79.4)
	240	2.65	3	1	CBDNF29R20S	M	43 (20)	42 ⁵ / ₈ (1082.7)	32 (813)	4 ³ / ₈ (111.1)
	480	2.65	3	1	CBDNF29R19S	M	43 (20)	42 ⁵ / ₈ (1082.7)	32 (813)	4 ³ / ₈ (111.1)
	240	3.20	3	1	CBDNF34R20S	M	44 (20)	42 ⁵ / ₈ (1082.7)	32 (813)	4 ³ / ₈ (111.1)
	480	3.20	3	1	CBDNF34R19S	M	44 (20)	42 ⁵ / ₈ (1082.7)	32 (813)	4 ³ / ₈ (111.1)
	240	4.25	3	1	CBDNF45G20S	M	69 (32)	63 ⁵ / ₈ (1616.1)	53 (1346)	4 ³ / ₈ (111.1)
	480	4.25	3	1	CBDNF45G19S	M	69 (32)	63 ⁵ / ₈ (1616.1)	53 (1346)	4 ³ / ₈ (111.1)
	240	5.40	3	1	CBDNF55R20S	M	71 (33)	63 ⁵ / ₈ (1616.1)	53 (1346)	4 ³ / ₈ (111.1)
	480	5.40	3	1	CBDNF55R19S	M	71 (33)	63 ⁵ / ₈ (1616.1)	53 (1346)	4 ³ / ₈ (111.1)

1 1/4 inch NPT Screw Plug



RAPID SHIP

- **RS** - Next day shipment up to 5 pieces
- **M** - Manufacturing lead times

④ Wired for higher voltage

Circulation Heaters

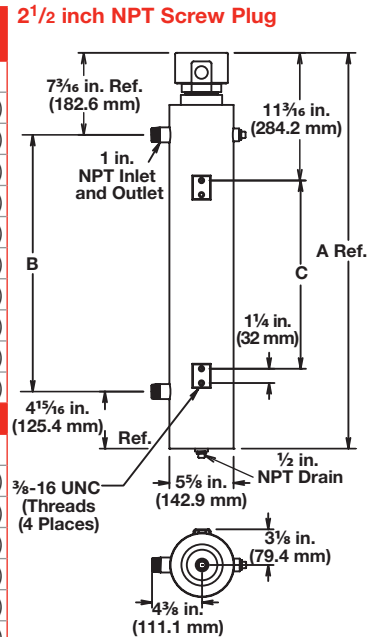
WATROD and FIREBAR Circulation Heaters



Application: Lightweight Oils and Heat Transfer Oils

- WATROD or FIREBAR elements
- Without thermostat
- General purpose enclosure

Description	Volts	kW	Ph	# Circ.	Part Number	Del.	Ship Wt. lbs (kg)	"A" Dim. in. (mm)	"B" Dim. in. (mm)	"C" Dim. in. (mm)	
2 1/2 inch NPT Screw Plug (WATROD)											
23 W/in² Steel Tank 3-Steel (3.6 W/cm²)	240	3.0	3	1	CBLS717E3S	RS	24 (11)	34 ³ / ₄ (881)	22 ¹ / ₂ (572)	16 ¹ / ₂ (419)	
	480	3.0	3	1	CBLS717E5S	RS	24 (11)	34 ³ / ₄ (881)	22 ¹ / ₂ (572)	16 ¹ / ₂ (419)	
	240	4.5	3	1	CBLS724N3S	RS	27 (13)	34 ³ / ₄ (881)	22 ¹ / ₂ (572)	16 ¹ / ₂ (419)	
	480	4.5	3	1	CBLS724N5S	RS	27 (13)	34 ³ / ₄ (881)	22 ¹ / ₂ (572)	16 ¹ / ₂ (419)	
	240	6.0	3	1	CBLS732E3S	RS	29 (14)	44 ³ / ₄ (1135)	32 ¹ / ₂ (826)	26 ¹ / ₂ (673)	
	480	6.0	3	1	CBLS732E5S	RS	29 (14)	44 ³ / ₄ (1135)	32 ¹ / ₂ (826)	26 ¹ / ₂ (673)	
	240	7.5	3	1	CBLS739N3S	RS	31 (14)	57 ¹ / ₄ (1453)	45 (1143)	39 (991)	
	480	7.5	3	1	CBLS739N5S	RS	31 (14)	57 ¹ / ₄ (1453)	45 (1143)	39 (991)	
	240	9.0	3	1	CBLS747E3S	RS	32 (15)	57 ¹ / ₄ (1453)	45 (1143)	39 (991)	
480	9.0	3	1	CBLS747E5S	RS	32 (15)	57 ¹ / ₄ (1453)	45 (1143)	39 (991)		
2 1/2 inch NPT Screw Plug (FIREBAR)											
30 W/in² ③ Steel Tank 3-Alloy 800 Elements (4.7 W/cm²)	240	5.0	3	1	CBLNF15C12S	M	22 (10)	34 ³ / ₄ (881)	22 ¹ / ₂ (572)	16 ¹ / ₂ (419)	
	480	5.0	3	1	CBLNF15C13S	M	22 (10)	34 ³ / ₄ (881)	22 ¹ / ₂ (572)	16 ¹ / ₂ (419)	
	240	6.5	3	1	CBLNF18C12S	M	23 (11)	34 ³ / ₄ (881)	22 ¹ / ₂ (572)	16 ¹ / ₂ (419)	
	480	6.5	3	1	CBLNF18C13S	M	23 (11)	34 ³ / ₄ (881)	22 ¹ / ₂ (572)	16 ¹ / ₂ (419)	
	240	8.5	3	1	CBLNF23C12S	M	31 (14)	34 ³ / ₄ (881)	22 ¹ / ₂ (572)	16 ¹ / ₂ (419)	
	480	8.5	3	1	CBLNF23C13S	M	31 (14)	34 ³ / ₄ (881)	22 ¹ / ₂ (572)	16 ¹ / ₂ (419)	
	240	10.5	3	1	CBLNF28L12S	M	34 (16)	44 ³ / ₄ (1135)	32 ¹ / ₂ (826)	26 ¹ / ₂ (673)	
	480	10.5	3	1	CBLNF28L13S	M	34 (16)	44 ³ / ₄ (1135)	32 ¹ / ₂ (826)	26 ¹ / ₂ (673)	
	240	12.8	3	1	CBLNF33L12S	M	35 (16)	44 ³ / ₄ (1135)	32 ¹ / ₂ (826)	26 ¹ / ₂ (673)	
	480	12.8	3	1	CBLNF33L13S	M	35 (16)	44 ³ / ₄ (1135)	32 ¹ / ₂ (826)	26 ¹ / ₂ (673)	
	240	17.0	3	1	CBLNF44C12S	M	44 (20)	57 ¹ / ₄ (1453)	45 (1143)	39 (991)	
	480	17.0	3	1	CBLNF44C13S	M	44 (20)	57 ¹ / ₄ (1453)	45 (1143)	39 (991)	
	480	21.5	3	1	CBLNF54L13S	M	52 (24)	63 ³ / ₄ (1618)	51 ¹ / ₂ (1308)	46 ¹ / ₂ (1181)	
	2 1/2 inch NPT Screw Plug (FIREBAR)										
	23 W/in² ⑧ Steel Tank 3-Alloy 800 Elements (3.6 W/cm²)	240	3.80	3	1	CBLNF15C20S	M	22 (10)	34 ³ / ₄ (881)	22 ¹ / ₂ (572)	16 ¹ / ₂ (419)
240		4.90	3	1	CBLNF18C20S	M	23 (11)	34 ³ / ₄ (881)	22 ¹ / ₂ (572)	16 ¹ / ₂ (419)	
240		6.40	3	1	CBLNF23C20S	M	31 (14)	34 ³ / ₄ (881)	22 ¹ / ₂ (572)	16 ¹ / ₂ (419)	
480		6.40	3	1	CBLNF23C19S	M	31 (14)	34 ³ / ₄ (881)	22 ¹ / ₂ (572)	16 ¹ / ₂ (419)	
240		7.90	3	1	CBLNF28L20S	M	34 (16)	44 ³ / ₄ (1135)	32 ¹ / ₂ (826)	26 ¹ / ₂ (673)	
480		7.90	3	1	CBLNF28L19S	M	34 (16)	44 ³ / ₄ (1135)	32 ¹ / ₂ (826)	26 ¹ / ₂ (673)	
240		9.60	3	1	CBLNF33L20S	M	35 (16)	44 ³ / ₄ (1135)	32 ¹ / ₂ (826)	26 ¹ / ₂ (673)	
480		9.60	3	1	CBLNF33L19S	M	35 (16)	44 ³ / ₄ (1135)	32 ¹ / ₂ (826)	26 ¹ / ₂ (673)	
240		12.80	3	1	CBLNF44C20S	M	44 (20)	57 ¹ / ₄ (1453)	45 (1143)	39 (991)	
480		12.80	3	1	CBLNF44C19S	M	44 (20)	57 ¹ / ₄ (1453)	45 (1143)	39 (991)	
240		16.10	3	1	CBLNF54L20S	M	52 (24)	63 ³ / ₄ (1618)	51 ¹ / ₂ (1308)	46 ¹ / ₂ (1181)	
480		16.10	3	1	CBLNF54L19S	M	52 (24)	63 ³ / ₄ (1618)	51 ¹ / ₂ (1308)	46 ¹ / ₂ (1181)	



RAPID SHIP

- **RS** - Next day shipment up to 5 pieces
- **M** - Manufacturing lead times

- ③ Wired for 3-phase operation only
- ⑧ Can be wired for 1-phase operation

Circulation Heaters

WATROD and FIREBAR Circulation Heaters

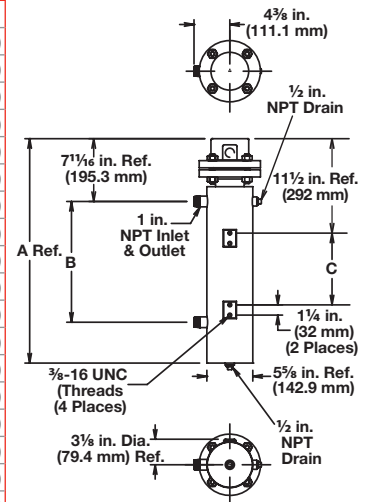


Application: Lightweight Oils and Heat Transfer Oils

- WATROD or FIREBAR elements
- Without thermostat
- General purpose enclosure

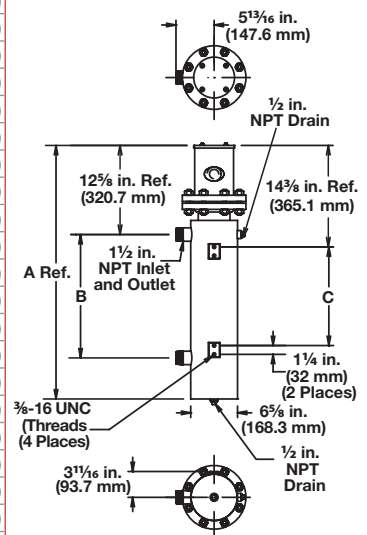
Description	Volts	kW	Ph	# Circ.	Part Number	Del.	Ship Wt. lbs (kg)	"A" Dim. in. (mm)	"B" Dim. in. (mm)	"C" Dim. in. (mm)
3 inch - 150 lb ANSI Flange (WATROD)										
23 W/in² Steel Tank 3-Steel Elements (3.6 W/cm²)	240	3.0	1	1	CFMS718A10S	RS	68 (31)	35 ¹ / ₄ (894)	22 ¹ / ₂ (573)	16 ¹ / ₂ (419)
	240	3.0	3	1	CFMS718A3S	RS	68 (31)	35 ¹ / ₄ (894)	22 ¹ / ₂ (573)	16 ¹ / ₂ (419)
	480	3.0	1	1	CFMS718A11S	RS	68 (31)	35 ¹ / ₄ (894)	22 ¹ / ₂ (573)	16 ¹ / ₂ (419)
	480	3.0	3	1	CFMS718A5S	RS	68 (31)	35 ¹ / ₄ (894)	22 ¹ / ₂ (573)	16 ¹ / ₂ (419)
	240	4.5	1	1	CFMS725J10S	M	78 (36)	35 ¹ / ₄ (894)	22 ¹ / ₂ (573)	16 ¹ / ₂ (419)
	240	4.5	3	1	CFMS725J3S	M	78 (36)	35 ¹ / ₄ (894)	22 ¹ / ₂ (573)	16 ¹ / ₂ (419)
	480	4.5	1	1	CFMS725J11S	M	78 (36)	35 ¹ / ₄ (894)	22 ¹ / ₂ (573)	16 ¹ / ₂ (419)
	480	4.5	3	1	CFMS725J5S	M	78 (36)	35 ¹ / ₄ (894)	22 ¹ / ₂ (573)	16 ¹ / ₂ (419)
	240	6.0	1	2	CFMS733A10S	M	96 (44)	45 ¹ / ₄ (1148)	32 ¹ / ₂ (826)	26 ¹ / ₂ (673)
	240	6.0	3	1	CFMS733A3S	M	96 (44)	45 ¹ / ₄ (1148)	32 ¹ / ₂ (826)	26 ¹ / ₂ (673)
	480	6.0	1	1	CFMS733A11S	M	96 (44)	45 ¹ / ₄ (1148)	32 ¹ / ₂ (826)	26 ¹ / ₂ (673)
	480	6.0	3	1	CFMS733A5S	M	96 (44)	45 ¹ / ₄ (1148)	32 ¹ / ₂ (826)	26 ¹ / ₂ (673)
	240	7.5	1	2	CFMS740J10S	M	100 (46)	57 ³ / ₄ (1465)	45 (1143)	39 (991)
	240	7.5	3	1	CFMS740J3S	M	100 (46)	57 ³ / ₄ (1465)	45 (1143)	39 (991)
	480	7.5	1	1	CFMS740J11S	M	100 (46)	57 ³ / ₄ (1465)	45 (1143)	39 (991)
	480	7.5	3	1	CFMS740J5S	M	100 (46)	57 ³ / ₄ (1465)	45 (1143)	39 (991)
	240	9.0	1	2	CFMS748A10S	M	107 (49)	57 ³ / ₄ (1465)	45 (1143)	39 (991)
240	9.0	3	1	CFMS748A3S	M	107 (49)	57 ³ / ₄ (1465)	45 (1143)	39 (991)	
480	9.0	1	1	CFMS748A11S	M	107 (49)	57 ³ / ₄ (1465)	45 (1143)	39 (991)	
480	9.0	3	1	CFMS748A5S	M	107 (49)	57 ³ / ₄ (1465)	45 (1143)	39 (991)	

3 inch - 150 lb ANSI Flange



Description	Volts	kW	Ph	# Circ.	Part Number	Del.	Ship Wt. lbs (kg)	"A" Dim. in. (mm)	"B" Dim. in. (mm)	"C" Dim. in. (mm)
4 inch - 150 lb ANSI Flange (WATROD)										
23 W/in² Steel Tank 6-Steel Elements (3.6 W/cm²)	240	6.0	1	1	CFOS718A10S	M	125 (57)	39 (989)	20 ¹ / ₂ (521)	17 (432)
	240	6.0	3	1	CFOS718A3S	M	125 (57)	39 (989)	20 ¹ / ₂ (521)	17 (432)
	480	6.0	1	1	CFOS718A11S	M	125 (57)	39 (989)	20 ¹ / ₂ (521)	17 (432)
	480	6.0	3	1	CFOS718A5S	M	125 (57)	39 (989)	20 ¹ / ₂ (521)	17 (432)
	240	9.0	1	1	CFOS725J10S	M	160 (73)	39 (989)	20 ¹ / ₂ (521)	17 (432)
	240	9.0	3	1	CFOS725J3S	M	160 (73)	39 (989)	20 ¹ / ₂ (521)	17 (432)
	480	9.0	1	1	CFOS725J11S	M	160 (73)	39 (989)	20 ¹ / ₂ (521)	17 (432)
	480	9.0	3	1	CFOS725J5S	M	160 (73)	39 (989)	20 ¹ / ₂ (521)	17 (432)
	240	12.0	1	2	CFOS733A10S	M	163 (74)	49 ¹ / ₂ (1256)	31 (787)	27 ¹ / ₂ (699)
	240	12.0	3	1	CFOS733A3S	M	163 (74)	49 ¹ / ₂ (1256)	31 (787)	27 ¹ / ₂ (699)
	480	12.0	1	1	CFOS733A11S	M	163 (74)	49 ¹ / ₂ (1256)	31 (787)	27 ¹ / ₂ (699)
	480	12.0	3	1	CFOS733A5S	M	163 (74)	49 ¹ / ₂ (1256)	31 (787)	27 ¹ / ₂ (699)
	240	15.0	1	2	CFOS740J10S	M	229 (104)	70 ¹ / ₂ (1789)	52 (1321)	48 ¹ / ₂ (1232)
	240	15.0	3	1	CFOS740J3S	M	229 (104)	70 ¹ / ₂ (1789)	52 (1321)	48 ¹ / ₂ (1232)
	480	15.0	1	1	CFOS740J11S	M	229 (104)	70 ¹ / ₂ (1789)	52 (1321)	48 ¹ / ₂ (1232)
	480	15.0	3	1	CFOS740J5S	M	229 (104)	70 ¹ / ₂ (1789)	52 (1321)	48 ¹ / ₂ (1232)
	240	18.0	1	2	CFOS748A10S	M	234 (107)	70 ¹ / ₂ (1789)	52 (1321)	48 ¹ / ₂ (1232)
	240	18.0	3	1	CFOS748A3S	M	234 (107)	70 ¹ / ₂ (1789)	52 (1321)	48 ¹ / ₂ (1232)
	480	18.0	1	1	CFOS748A11S	M	234 (107)	70 ¹ / ₂ (1789)	52 (1321)	48 ¹ / ₂ (1232)
	480	18.0	3	1	CFOS748A5S	M	234 (107)	70 ¹ / ₂ (1789)	52 (1321)	48 ¹ / ₂ (1232)
240	25.0	3	2	CFOS764J3S	M	298 (136)	91 ¹ / ₂ (2326)	73 (1854)	66 (1676)	
480	25.0	1	2	CFOS764J11S	M	298 (136)	91 ¹ / ₂ (2326)	73 (1854)	66 (1676)	
480	25.0	3	1	CFOS764J5S	M	298 (136)	91 ¹ / ₂ (2326)	73 (1854)	66 (1676)	
240	30.0	3	2	CFOS777A3S	M	306 (139)	91 ¹ / ₂ (2326)	73 (1854)	66 (1676)	
480	30.0	1	2	CFOS777A11S	M	306 (139)	91 ¹ / ₂ (2326)	73 (1854)	66 (1676)	
480	30.0	3	1	CFOS777A5S	M	306 (139)	91 ¹ / ₂ (2326)	73 (1854)	66 (1676)	

4 inch - 150 lb ANSI Flange



• RS - Next day shipment up to 5 pieces • M - Manufacturing lead times

Truck Shipment only

Circulation Heaters

WATROD and FIREBAR Circulation Heaters

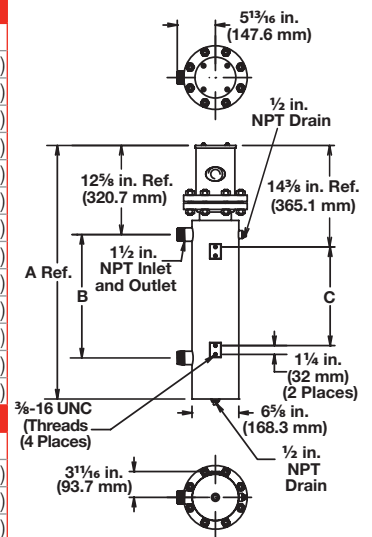


Application: Lightweight Oils and Heat Transfer Oils

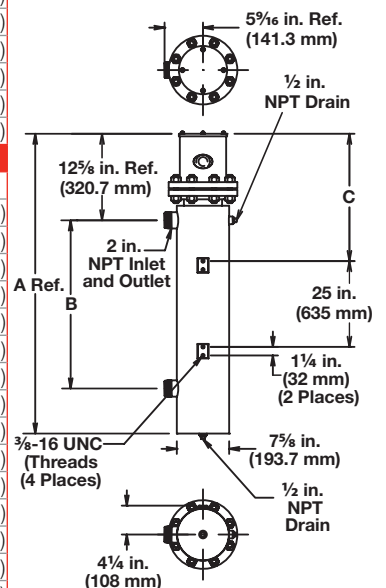
- WATROD or FIREBAR elements
- Without thermostat
- General purpose enclosure

Description	Volts	kW	Ph	# Circ.	Part Number	Del.	Ship Wt. lbs (kg)	"A" Dim. in. (mm)	"B" Dim. in. (mm)	"C" Dim. in. (mm)
4 inch - 150 lb ANSI Flange (FIREBAR)										
30 W/in² Steel Tank 6-Alloy 800 Elements (4.7 W/cm²)	240	10.0	3	1	CFONF16J12S	M	128 (58)	39 (989)	20 ¹ / ₂ (521)	17 (432)
	480	10.0	3	1	CFONF16J13S	M	128 (58)	39 (989)	20 ¹ / ₂ (521)	17 (432)
	240	13.0	3	1	CFONF19J12S	M	130 (59)	39 (989)	20 ¹ / ₂ (521)	17 (432)
	480	13.0	3	1	CFONF19J13S	M	130 (59)	39 (989)	20 ¹ / ₂ (521)	17 (432)
	240	17.0	3	1	CFONF24J12S	M	133 (61)	39 (989)	20 ¹ / ₂ (521)	17 (432)
	480	17.0	3	1	CFONF24J13S	M	133 (61)	39 (989)	20 ¹ / ₂ (521)	17 (432)
	240	21.0	3	2	CFONF30A12S	M	168 (77)	49 ¹ / ₂ (1256)	31 (787)	27 ¹ / ₂ (699)
	480	21.0	3	1	CFONF30A13S	M	168 (77)	49 ¹ / ₂ (1256)	31 (787)	27 ¹ / ₂ (699)
	240	25.5	3	2	CFONF35A12S	M	170 (78)	49 ¹ / ₂ (1256)	31 (787)	27 ¹ / ₂ (699)
	480	25.5	3	1	CFONF35A13S	M	170 (78)	49 ¹ / ₂ (1256)	31 (787)	27 ¹ / ₂ (699)
	240	34.0	3	2	CFONF45J12S	M	236 (107)	70 ¹ / ₂ (1789)	52 (1321)	48 ¹ / ₂ (1232)
	480	34.0	3	1	CFONF45J13S	M	236 (107)	70 ¹ / ₂ (1789)	52 (1321)	48 ¹ / ₂ (1232)
	480	43.0	3	2	CFONF56A13S	M	240 (109)	70 ¹ / ₂ (1789)	52 (1321)	48 ¹ / ₂ (1232)
4 inch - 150 lb ANSI Flange (FIREBAR)										
23 W/in² Steel Tank 6-Alloy 800 Elements (3.6 W/cm²)	240	7.5	3	1	CFONF16J20S	M	128 (58)	39 (989)	20 ¹ / ₂ (521)	17 (432)
	240	10.0	3	1	CFONF19J20S	M	130 (59)	39 (989)	20 ¹ / ₂ (521)	17 (432)
	240	12.8	3	1	CFONF24J20S	M	133 (61)	39 (989)	20 ¹ / ₂ (521)	17 (432)
	480	12.8	3	1	CFONF24J19S	M	133 (61)	39 (989)	20 ¹ / ₂ (521)	17 (432)
	240	15.8	3	1	CFONF30A20S	M	168 (77)	49 ¹ / ₂ (1256)	31 (787)	27 ¹ / ₂ (699)
	480	15.8	3	1	CFONF30A19S	M	168 (77)	49 ¹ / ₂ (1256)	31 (787)	27 ¹ / ₂ (699)
	240	19.0	3	1	CFONF35A20S	M	170 (78)	49 ¹ / ₂ (1256)	31 (787)	27 ¹ / ₂ (699)
	480	19.0	3	1	CFONF35A19S	M	170 (78)	49 ¹ / ₂ (1256)	31 (787)	27 ¹ / ₂ (699)
	240	25.0	3	2	CFONF45J20S	M	236 (107)	70 ¹ / ₂ (1789)	52 (1321)	48 ¹ / ₂ (1232)
	480	25.0	3	1	CFONF45J19S	M	236 (107)	70 ¹ / ₂ (1789)	52 (1321)	48 ¹ / ₂ (1232)
	240	32.3	3	2	CFONF56A20S	M	240 (109)	70 ¹ / ₂ (1789)	52 (1321)	48 ¹ / ₂ (1232)
	480	32.3	3	1	CFONF56A19S	M	240 (109)	70 ¹ / ₂ (1789)	52 (1321)	48 ¹ / ₂ (1232)
5 inch - 150 lb ANSI Flange (WATROD)										
23 W/in² Steel Tank 6-Steel Elements (3.6 W/cm²)	240	12.00	1	2	CFNS733A10S	M	145 (66)	56 ¹ / ₄ (1427.0)	37 (940.0)	18 ⁵ / ₈ (473.1)
	240	12.00	3	1	CFNS733A3S	M	145 (66)	56 ¹ / ₄ (1427.0)	37 (940.0)	18 ⁵ / ₈ (473.1)
	480	12.00	1	1	CFNS733A11S	M	145 (66)	56 ¹ / ₄ (1427.0)	37 (940.0)	18 ⁵ / ₈ (473.1)
	480	12.00	3	1	CFNS733A5S	M	145 (66)	56 ¹ / ₄ (1427.0)	37 (940.0)	18 ⁵ / ₈ (473.1)
	240	15.00	1	2	CFNS740J10S	M	167 (76)	56 ¹ / ₄ (1427.0)	37 (940.0)	18 ⁵ / ₈ (473.1)
	240	15.00	3	1	CFNS740J3S	M	167 (76)	56 ¹ / ₄ (1427.0)	37 (940.0)	18 ⁵ / ₈ (473.1)
	480	15.00	1	1	CFNS740J11S	M	167 (76)	56 ¹ / ₄ (1427.0)	37 (940.0)	18 ⁵ / ₈ (473.1)
	480	15.00	3	1	CFNS740J5S	M	167 (76)	56 ¹ / ₄ (1427.0)	37 (940.0)	18 ⁵ / ₈ (473.1)
	240	18.00	1	2	CFNS748A10S	M	180 (82)	67 ³ / ₄ (1719.0)	48 ¹ / ₂ (1232.0)	18 ⁵ / ₈ (473.1)
	240	18.00	3	1	CFNS748A3S	M	180 (82)	67 ³ / ₄ (1719.0)	48 ¹ / ₂ (1232.0)	18 ⁵ / ₈ (473.1)
	480	18.00	1	1	CFNS748A11S	M	180 (82)	67 ³ / ₄ (1719.0)	48 ¹ / ₂ (1232.0)	18 ⁵ / ₈ (473.1)
	480	18.00	3	1	CFNS748A5S	M	180 (82)	67 ³ / ₄ (1719.0)	48 ¹ / ₂ (1232.0)	18 ⁵ / ₈ (473.1)
	240	25.00	3	2	CFNS764J3S	M	195 (89)	81 ¹ / ₈ (2060.6)	61 ⁷ / ₈ (1571.6)	25 (633.0)
	480	25.00	1	2	CFNS764J11S	M	195 (89)	81 ¹ / ₈ (2060.6)	61 ⁷ / ₈ (1571.6)	25 (633.0)
	480	25.00	3	1	CFNS764J5S	M	195 (89)	81 ¹ / ₈ (2060.6)	61 ⁷ / ₈ (1571.6)	25 (633.0)
	240	30.00	3	2	CFNS777A3S	M	220 (100)	94 ¹ / ₈ (2390.8)	75 (1902.0)	25 (633.0)
	480	30.00	1	2	CFNS777A11S	M	220 (100)	94 ¹ / ₈ (2390.8)	75 (1902.0)	25 (633.0)
	480	30.00	3	1	CFNS777A5S	M	220 (100)	94 ¹ / ₈ (2390.8)	75 (1902.0)	25 (633.0)

4 inch - 150 lb ANSI Flange



5 inch - 150 lb ANSI Flange



• M - Manufacturing lead times

■ Truck Shipment only

Circulation Heaters

WATROD and FIREBAR Circulation Heaters

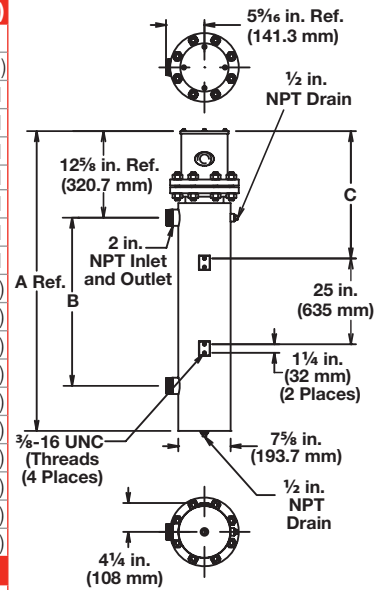


Application: Lightweight Oils and Heat Transfer Oils

- WATROD or FIREBAR elements
- Without thermostat
- General purpose enclosure

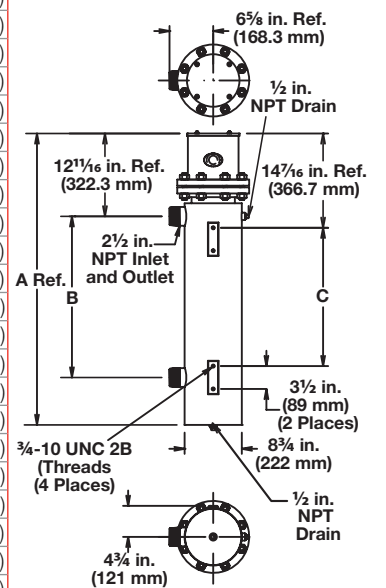
Description	Volts	kW	Ph	# Circ.	Part Number	Del.	Ship Wt. lbs (kg)	"A" Dim. in. (mm)	"B" Dim. in. (mm)	"C" Dim. in. (mm)
5 inch - 150 lb ANSI Flange (WATROD)										
23 W/in² Steel Tank 9-Steel Elements (3.6 W/cm²)	240	18.0	1	3	CFNS733A10XS	M	150 (68)	56 ¹ / ₄ (1427.0)	37 (940.0)	18 ⁵ / ₈ (471.1)
	240	18.0	3	1	CFNS733A3XS	M	150 (68)	56 ¹ / ₄ (1427.0)	37 (940.0)	18 ⁵ / ₈ (471.1)
	480	18.0	1	1	CFNS733A11XS	M	150 (68)	56 ¹ / ₄ (1427.0)	37 (940.0)	18 ⁵ / ₈ (471.1)
	480	18.0	3	1	CFNS733A5XS	M	150 (68)	56 ¹ / ₄ (1427.0)	37 (940.0)	18 ⁵ / ₈ (471.1)
	240	23.0	1	3	CFNS740J10XS	M	173 (79)	56 ¹ / ₄ (1427.0)	37 (940.0)	18 ⁵ / ₈ (471.1)
	240	23.0	3	3	CFNS740J3XS	M	173 (79)	56 ¹ / ₄ (1427.0)	37 (940.0)	18 ⁵ / ₈ (471.1)
	480	23.0	1	1	CFNS740J11XS	M	173 (79)	56 ¹ / ₄ (1427.0)	37 (940.0)	18 ⁵ / ₈ (471.1)
	480	23.0	3	1	CFNS740J5XS	M	173 (79)	56 ¹ / ₄ (1427.0)	37 (940.0)	18 ⁵ / ₈ (471.1)
	240	27.0	1	3	CFNS748A10XS	M	188 (86)	67 ³ / ₄ (1719.0)	48 ¹ / ₂ (1232.0)	25 (633.0)
	240	27.0	3	3	CFNS748A3XS	M	188 (86)	67 ³ / ₄ (1719.0)	48 ¹ / ₂ (1232.0)	25 (633.0)
	480	27.0	1	3	CFNS748A11XS	M	188 (86)	67 ³ / ₄ (1719.0)	48 ¹ / ₂ (1232.0)	25 (633.0)
	480	27.0	3	1	CFNS748A5XS	M	188 (86)	67 ³ / ₄ (1719.0)	48 ¹ / ₂ (1232.0)	25 (633.0)
	240	38.0	3	3	CFNS764J3XS	M	206 (94)	81 ¹ / ₈ (2060.6)	61 ⁷ / ₈ (1571.6)	25 (633.0)
	480	38.0	1	3	CFNS764J11XS	M	206 (94)	81 ¹ / ₈ (2060.6)	61 ⁷ / ₈ (1571.6)	25 (633.0)
	480	38.0	3	1	CFNS764J5XS	M	206 (94)	81 ¹ / ₈ (2060.6)	61 ⁷ / ₈ (1571.6)	25 (633.0)
240	45.0	3	3	CFNS777A3XS	M	233 (106)	94 ¹ / ₈ (2390.8)	75 (1902.0)	25 (633.0)	
480	45.0	1	3	CFNS777A11XS	M	233 (106)	94 ¹ / ₈ (2390.8)	75 (1902.0)	25 (633.0)	
480	45.0	3	3	CFNS777A5XS	M	233 (106)	94 ¹ / ₈ (2390.8)	75 (1902.0)	25 (633.0)	

5 inch - 150 lb ANSI Flange



6 inch - 150 lb ANSI Flange (WATROD)										
23 W/in² Steel Tank 12-Steel Elements (3.6 W/cm²)	240	12.0	1	2	CFPS717R10S	M	214 (97)	40 ¹ / ₂ (1027)	20 ¹ / ₂ (521)	17 (432)
	240	12.0	3	1	CFPS717R3S	M	214 (97)	40 ¹ / ₂ (1027)	20 ¹ / ₂ (521)	17 (432)
	480	12.0	1	1	CFPS717R11S	M	214 (97)	40 ¹ / ₂ (1027)	20 ¹ / ₂ (521)	17 (432)
	480	12.0	3	1	CFPS717R5S	M	214 (97)	40 ¹ / ₂ (1027)	20 ¹ / ₂ (521)	17 (432)
	240	18.0	1	2	CFPS725G10S	M	222 (101)	40 ¹ / ₂ (1027)	20 ¹ / ₂ (521)	17 (432)
	240	18.0	3	1	CFPS725G3S	M	222 (101)	40 ¹ / ₂ (1027)	20 ¹ / ₂ (521)	17 (432)
	480	18.0	1	1	CFPS725G11S	M	222 (101)	40 ¹ / ₂ (1027)	20 ¹ / ₂ (521)	17 (432)
	480	18.0	3	1	CFPS725G5S	M	222 (101)	40 ¹ / ₂ (1027)	20 ¹ / ₂ (521)	17 (432)
	240	24.0	1	3	CFPS732R10S	M	226 (103)	51 (1294)	31 (787)	27 ¹ / ₂ (699)
	240	24.0	3	2	CFPS732R3S	M	226 (103)	51 (1294)	31 (787)	27 ¹ / ₂ (699)
	480	24.0	1	2	CFPS732R11S	M	226 (103)	51 (1294)	31 (787)	27 ¹ / ₂ (699)
	480	24.0	3	1	CFPS732R5S	M	226 (103)	51 (1294)	31 (787)	27 ¹ / ₂ (699)
	240	30.0	1	3	CFPS740G10S	M	290 (132)	72 (1827)	52 (1321)	48 ¹ / ₂ (1232)
	240	30.0	3	2	CFPS740G3S	M	290 (132)	72 (1827)	52 (1321)	48 ¹ / ₂ (1232)
	480	30.0	1	2	CFPS740G11S	M	290 (132)	72 (1827)	52 (1321)	48 ¹ / ₂ (1232)
	480	30.0	3	1	CFPS740G5S	M	290 (132)	72 (1827)	52 (1321)	48 ¹ / ₂ (1232)
	240	36.0	1	4	CFPS747R10S	M	298 (136)	72 (1827)	52 (1321)	48 ¹ / ₂ (1232)
	240	36.0	3	2	CFPS747R3S	M	298 (136)	72 (1827)	52 (1321)	48 ¹ / ₂ (1232)
	480	36.0	1	2	CFPS747R11S	M	298 (136)	72 (1827)	52 (1321)	48 ¹ / ₂ (1232)
	480	36.0	3	1	CFPS747R5S	M	298 (136)	72 (1827)	52 (1321)	48 ¹ / ₂ (1232)
	240	50.0	3	4	CFPS764G3S	M	360 (164)	93 (2361)	73 (1854)	66 (1676)
480	50.0	1	3	CFPS764G11S	M	360 (164)	93 (2361)	73 (1854)	66 (1676)	
480	50.0	3	2	CFPS764G5S	M	360 (164)	93 (2361)	73 (1854)	66 (1676)	
240	60.0	3	4	CFPS776R3S	M	368 (167)	93 (2361)	73 (1854)	66 (1676)	
480	60.0	1	3	CFPS776R11S	M	368 (167)	93 (2361)	73 (1854)	66 (1676)	
480	60.0	3	2	CFPS776R5S	M	368 (167)	93 (2361)	73 (1854)	66 (1676)	

6 inch - 150 lb ANSI Flange



• M - Manufacturing lead times

■ Truck Shipment only

Circulation Heaters

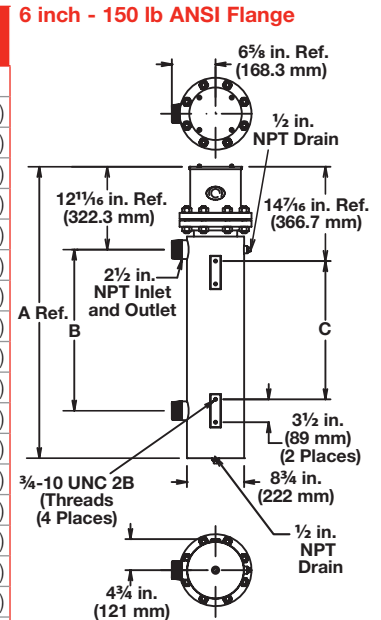
WATROD and FIREBAR Circulation Heaters



Application: Lightweight Oils and Heat Transfer Oils

- WATROD or FIREBAR elements
- Without thermostat
- General purpose enclosure

Description	Volts	kW	Ph	# Circ.	Part Number	Del.	Ship Wt. lbs (kg)	"A" Dim. in. (mm)	"B" Dim. in. (mm)	"C" Dim. in. (mm)	
6 inch - 150 lb ANSI Flange (WATROD)											
23 W/in² Steel Tank 15-Steel Elements (3.6 W/cm²)	240	15.0	1	3	CFPS717R10XS	M	217 (99)	40 ¹ / ₂ (1027)	20 ¹ / ₂ (521)	17 (432)	
	240	15.0	3	1	CFPS717R3XS	M	217 (99)	40 ¹ / ₂ (1027)	20 ¹ / ₂ (521)	17 (432)	
	480	15.0	1	1	CFPS717R11XS	M	217 (99)	40 ¹ / ₂ (1027)	20 ¹ / ₂ (521)	17 (432)	
	480	15.0	3	1	CFPS717R5XS	M	217 (99)	40 ¹ / ₂ (1027)	20 ¹ / ₂ (521)	17 (432)	
	240	23.0	1	3	CFPS725G10XS	M	222 (101)	40 ¹ / ₂ (1027)	20 ¹ / ₂ (521)	17 (432)	
	240	23.0	3	5	CFPS725G3XS	M	222 (101)	40 ¹ / ₂ (1027)	20 ¹ / ₂ (521)	17 (432)	
	480	23.0	1	1	CFPS725G11XS	M	222 (101)	40 ¹ / ₂ (1027)	20 ¹ / ₂ (521)	17 (432)	
	480	23.0	3	1	CFPS725G5XS	M	222 (101)	40 ¹ / ₂ (1027)	20 ¹ / ₂ (521)	17 (432)	
	240	30.0	1	3	CFPS732R10XS	M	226 (103)	51 (1294)	31 (787)	27 ¹ / ₂ (699)	
	240	30.0	3	5	CFPS732R3XS	M	226 (103)	51 (1294)	31 (787)	27 ¹ / ₂ (699)	
	480	30.0	1	3	CFPS732R11XS	M	226 (103)	51 (1294)	31 (787)	27 ¹ / ₂ (699)	
	480	30.0	3	1	CFPS732R5XS	M	226 (103)	51 (1294)	31 (787)	27 ¹ / ₂ (699)	
	240	38.0	1	5	CFPS740G10XS	M	290 (132)	72 (1827)	52 (1321)	48 ¹ / ₂ (1232)	
	240	38.0	3	5	CFPS740G3XS	M	290 (132)	72 (1827)	52 (1321)	48 ¹ / ₂ (1232)	
	480	38.0	1	3	CFPS740G11XS	M	290 (132)	72 (1827)	52 (1321)	48 ¹ / ₂ (1232)	
	480	38.0	3	1	CFPS740G5XS	M	290 (132)	72 (1827)	52 (1321)	48 ¹ / ₂ (1232)	
	240	45.0	1	5	CFPS747R10XS	M	298 (136)	72 (1827)	52 (1321)	48 ¹ / ₂ (1232)	
	240	45.0	3	5	CFPS747R3XS	M	298 (136)	72 (1827)	52 (1321)	48 ¹ / ₂ (1232)	
	480	45.0	1	3	CFPS747R11XS	M	298 (136)	72 (1827)	52 (1321)	48 ¹ / ₂ (1232)	
	480	45.0	3	5	CFPS747R5XS	M	298 (136)	72 (1827)	52 (1321)	48 ¹ / ₂ (1232)	
	240	63.0	3	5	CFPS764G3XS	M	360 (164)	93 (2361)	73 (1854)	66 (1676)	
	480	63.0	1	3	CFPS764G11XS	M	360 (164)	93 (2361)	73 (1854)	66 (1676)	
	480	63.0	3	5	CFPS764G5XS	M	360 (164)	93 (2361)	73 (1854)	66 (1676)	
	240	75.0	3	5	CFPS776R3XS	M	368 (167)	93 (2361)	73 (1854)	66 (1676)	
	480	75.0	1	5	CFPS776R11XS	M	368 (167)	93 (2361)	73 (1854)	66 (1676)	
	480	75.0	3	5	CFPS776R5XS	M	368 (167)	93 (2361)	73 (1854)	66 (1676)	
	6 inch - 150 lb ANSI Flange (FIREBAR)										
	30 W/in² Steel Tank 15-Alloy 800 Elements (4.7 W/cm²)	240	25.0	3	5	CFPNF16J12S	M	220 (100)	40 ¹ / ₂ (1027)	20 ¹ / ₂ (521)	17 (432)
480		25.0	3	5	CFPNF16J13S	M	220 (100)	40 ¹ / ₂ (1027)	20 ¹ / ₂ (521)	17 (432)	
240		32.0	3	5	CFPNF19J12S	M	223 (102)	40 ¹ / ₂ (1027)	20 ¹ / ₂ (521)	17 (432)	
480		32.0	3	5	CFPNF19J13S	M	223 (102)	40 ¹ / ₂ (1027)	20 ¹ / ₂ (521)	17 (432)	
240		42.0	3	5	CFPNF24J12S	M	226 (103)	40 ¹ / ₂ (1027)	20 ¹ / ₂ (521)	17 (432)	
480		42.0	3	5	CFPNF24J13S	M	226 (103)	40 ¹ / ₂ (1027)	20 ¹ / ₂ (521)	17 (432)	
240		52.0	3	5	CFPNF30A12S	M	232 (106)	51 (1294)	31 (787)	27 ¹ / ₂ (699)	
480		52.0	3	5	CFPNF30A13S	M	232 (106)	51 (1294)	31 (787)	27 ¹ / ₂ (699)	
240		64.0	3	5	CFPNF35A12S	M	236 (107)	51 (1294)	31 (787)	27 ¹ / ₂ (699)	
480		64.0	3	5	CFPNF35A13S	M	236 (107)	51 (1294)	31 (787)	27 ¹ / ₂ (699)	
240		85.0	3	5	CFPNF45J12S	M	304 (138)	72 (1827)	52 (1321)	48 ¹ / ₂ (1232)	
480		85.0	3	5	CFPNF45J13S	M	304 (138)	72 (1827)	52 (1321)	48 ¹ / ₂ (1232)	
480		110.0	3	5	CFPNF56A13S	M	314 (143)	72 (1827)	52 (1321)	48 ¹ / ₂ (1232)	



• M - Manufacturing lead times

③ Wired for 3-phase operation only

■ Truck Shipment only

Circulation Heaters

WATROD and FIREBAR Circulation Heaters



Application: Lightweight Oils and Heat Transfer Oils

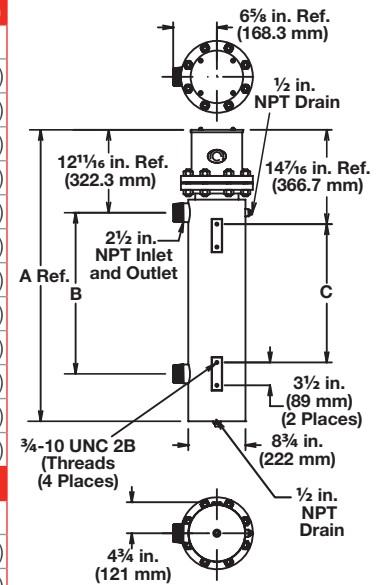
- WATROD or FIREBAR elements
- Without thermostat
- General purpose enclosure

Description	Volts	kW	Ph	# Circ.	Part Number	Del.	Ship Wt. lbs (kg)	"A" Dim. in. (mm)	"B" Dim. in. (mm)	"C" Dim. in. (mm)
6 inch - 150 lb ANSI Flange (FIREBAR)										
23 W/in² Steel Tank 15-Alloy 800 Elements (3.6 W/cm²)	240	19.0	3	5	CFPNF16J20S	M	220 (100)	40 ¹ / ₂ (1027)	20 ¹ / ₂ (521)	17 (432)
	240	24.0	3	5	CFPNF19J20S	M	223 (102)	40 ¹ / ₂ (1027)	20 ¹ / ₂ (521)	17 (432)
	240	32.0	3	5	CFPNF24J20S	M	226 (103)	40 ¹ / ₂ (1027)	20 ¹ / ₂ (521)	17 (432)
	480	32.0	3	5	CFPNF24J19S	M	226 (103)	40 ¹ / ₂ (1027)	20 ¹ / ₂ (521)	17 (432)
	240	40.0	3	5	CFPNF30A20S	M	232 (106)	51 (1294)	31 (787)	27 ¹ / ₂ (699)
	480	40.0	3	5	CFPNF30A19S	M	232 (106)	51 (1294)	31 (787)	27 ¹ / ₂ (699)
	240	48.0	3	5	CFPNF35A20S	M	236 (107)	51 (1294)	31 (787)	27 ¹ / ₂ (699)
	480	48.0	3	5	CFPNF35A19S	M	236 (107)	51 (1294)	31 (787)	27 ¹ / ₂ (699)
	240	64.0	3	5	CFPNF45J20S	M	304 (138)	72 (1827)	52 (1321)	48 ¹ / ₂ (1232)
	480	64.0	3	5	CFPNF45J19S	M	304 (138)	72 (1827)	52 (1321)	48 ¹ / ₂ (1232)
240	80.0	3	5	CFPNF56A20S	M	314 (143)	72 (1827)	52 (1321)	48 ¹ / ₂ (1232)	
480	80.0	3	5	CFPNF56A19S	M	314 (143)	72 (1827)	52 (1321)	48 ¹ / ₂ (1232)	
8 inch - 150 lb ANSI Flange (WATROD)										
23 W/in² Steel Tank 18-Steel Elements (3.6 W/cm²)	240	30.0	1	3	CFRS732N10S	M	370 (168)	55 ¹ / ₄ (1402.0)	32 ³ / ₄ (830.0)	29 ¹ / ₄ (741.0)
	240	30.0	3	2	CFRS732N3S	M	370 (168)	55 ¹ / ₄ (1402.0)	32 ³ / ₄ (830.0)	29 ¹ / ₄ (741.0)
	480	30.0	1	2	CFRS732N11S	M	370 (168)	55 ¹ / ₄ (1402.0)	32 ³ / ₄ (830.0)	29 ¹ / ₄ (741.0)
	480	30.0	3	1	CFRS732N5S	M	370 (168)	55 ¹ / ₄ (1402.0)	32 ³ / ₄ (830.0)	29 ¹ / ₄ (741.0)
	240	40.0	3	3	CFRS743E3S	M	410 (186)	62 ¹ / ₄ (1580.0)	39 ³ / ₄ (1008.0)	36 ¹ / ₄ (919.0)
	480	40.0	1	2	CFRS743E11S	M	410 (186)	62 ¹ / ₄ (1580.0)	39 ³ / ₄ (1008.0)	36 ¹ / ₄ (919.0)
	480	40.0	3	2	CFRS743E5S	M	410 (186)	62 ¹ / ₄ (1580.0)	39 ³ / ₄ (1008.0)	36 ¹ / ₄ (919.0)
	240	50.0	3	3	CFRS751M3S	M	440 (200)	69 ⁷ / ₈ (1774.8)	47 ³ / ₈ (1203.3)	43 ⁷ / ₈ (1114.4)
	480	50.0	1	3	CFRS751M11S	M	440 (200)	69 ⁷ / ₈ (1774.8)	47 ³ / ₈ (1203.3)	43 ⁷ / ₈ (1114.4)
	480	50.0	3	2	CFRS751M5S	M	440 (200)	69 ⁷ / ₈ (1774.8)	47 ³ / ₈ (1203.3)	43 ⁷ / ₈ (1114.4)
	240	60.0	3	6	CFRS762D3S	M	480 (218)	79 ³ / ₈ (2016.1)	56 ⁷ / ₈ (1444.6)	53 ³ / ₈ (1355.7)
	480	60.0	1	3	CFRS762D11S	M	480 (218)	79 ³ / ₈ (2016.1)	56 ⁷ / ₈ (1444.6)	53 ³ / ₈ (1355.7)
	480	60.0	3	2	CFRS762D5S	M	480 (218)	79 ³ / ₈ (2016.1)	56 ⁷ / ₈ (1444.6)	53 ³ / ₈ (1355.7)
	240	70.0	3	6	CFRS770M3S	M	530 (241)	88 ³ / ₈ (2244.7)	65 ⁷ / ₈ (1673.2)	62 ³ / ₈ (1584.3)
	480	70.0	1	6	CFRS770M11S	M	530 (241)	88 ³ / ₈ (2244.7)	65 ⁷ / ₈ (1673.2)	62 ³ / ₈ (1584.3)
	480	70.0	3	2	CFRS770M5S	M	530 (241)	88 ³ / ₈ (2244.7)	65 ⁷ / ₈ (1673.2)	62 ³ / ₈ (1584.3)
	240	80.0	3	6	CFRS779M3S	M	610 (277)	98 ³ / ₈ (2498.7)	75 ⁷ / ₈ (1927.2)	72 ³ / ₈ (1838.3)
	480	80.0	3	3	CFRS779M5S	M	610 (277)	98 ³ / ₈ (2498.7)	75 ⁷ / ₈ (1927.2)	72 ³ / ₈ (1838.3)

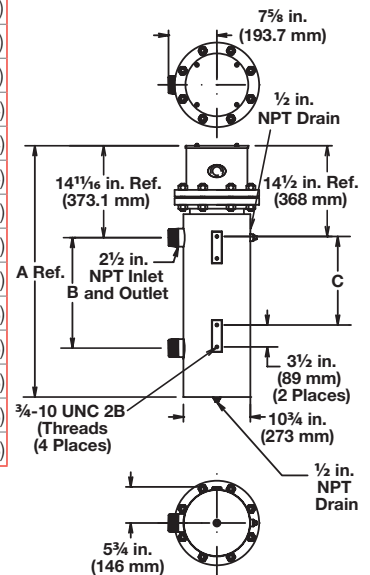
• M - Manufacturing lead times

■ Truck Shipment only

6 inch - 150 lb ANSI Flange



8 inch - 150 lb ANSI Flange



Circulation Heaters

WATROD and FIREBAR Circulation Heaters

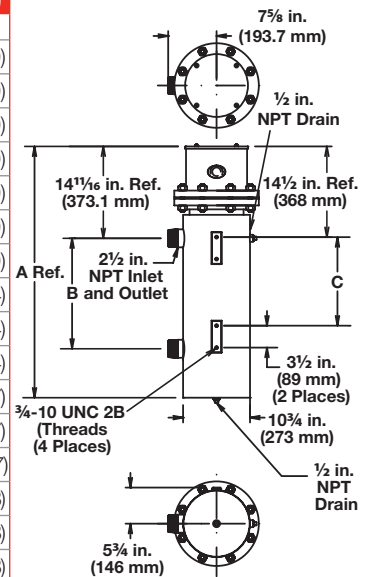


Application: Lightweight Oils and Heat Transfer Oils

- WATROD or FIREBAR elements
- Without thermostat
- General purpose enclosure

Description	Volts	kW	Ph	# Circ.	Part Number	Del.	Ship Wt. lbs (kg)	"A" Dim. in. (mm)	"B" Dim. in. (mm)	"C" Dim. in. (mm)	
8 inch - 150 lb ANSI Flange (WATROD)											
23 W/in² Steel Tank	240	40.0	1	4	CFRS733D10XS	M	382 (174)	55 ¹ / ₄ (1402.0)	32 ³ / ₄ (830.0)	29 ¹ / ₄ (741.0)	
	240	40.0	3	4	CFRS733D3XS	M	382 (174)	55 ¹ / ₄ (1402.0)	32 ³ / ₄ (830.0)	29 ¹ / ₄ (741.0)	
	24-Steel (3.6 W/cm ²)	480	40.0	1	2	CFRS733D11XS	M	382 (174)	55 ¹ / ₄ (1402.0)	32 ³ / ₄ (830.0)	29 ¹ / ₄ (741.0)
		480	40.0	3	2	CFRS733D5XS	M	382 (174)	55 ¹ / ₄ (1402.0)	32 ³ / ₄ (830.0)	29 ¹ / ₄ (741.0)
	240	53.0	3	4	CFRS743M3XS	M	425 (193)	62 ¹ / ₄ (1580.0)	39 ³ / ₄ (1008.0)	36 ¹ / ₄ (919.0)	
	480	53.0	1	3	CFRS743M11XS	M	425 (193)	62 ¹ / ₄ (1580.0)	39 ³ / ₄ (1008.0)	36 ¹ / ₄ (919.0)	
	480	53.0	3	2	CFRS743M5XS	M	425 (193)	62 ¹ / ₄ (1580.0)	39 ³ / ₄ (1008.0)	36 ¹ / ₄ (919.0)	
	240	67.0	3	4	CFRS751M3XS	M	457 (208)	69 ⁷ / ₈ (1774.8)	47 ³ / ₈ (1203.3)	43 ⁷ / ₈ (1114.4)	
	480	67.0	1	3	CFRS751M11XS	M	457 (208)	69 ⁷ / ₈ (1774.8)	47 ³ / ₈ (1203.3)	43 ⁷ / ₈ (1114.4)	
	480	67.0	3	2	CFRS751M5XS	M	457 (208)	69 ⁷ / ₈ (1774.8)	47 ³ / ₈ (1203.3)	43 ⁷ / ₈ (1114.4)	
	240	80.0	3	8	CFRS762D3XS	M	461 (209)	79 ³ / ₈ (2016.1)	56 ⁷ / ₈ (1444.6)	53 ³ / ₈ (1355.7)	
	480	80.0	1	4	CFRS762D11XS	M	461 (209)	79 ³ / ₈ (2016.1)	56 ⁷ / ₈ (1444.6)	53 ³ / ₈ (1355.7)	
	480	80.0	3	4	CFRS762D5XS	M	461 (209)	79 ³ / ₈ (2016.1)	56 ⁷ / ₈ (1444.6)	53 ³ / ₈ (1355.7)	
	240	93.0	3	8	CFRS770M3XS	M	554 (252)	88 ³ / ₈ (2244.7)	65 ⁷ / ₈ (1673.2)	62 ³ / ₈ (1584.3)	
	480	93.0	1	6	CFRS770M11XS	M	554 (252)	88 ³ / ₈ (2244.7)	65 ⁷ / ₈ (1673.2)	62 ³ / ₈ (1584.3)	
	480	93.0	3	4	CFRS770M5XS	M	554 (252)	88 ³ / ₈ (2244.7)	65 ⁷ / ₈ (1673.2)	62 ³ / ₈ (1584.3)	
240	107.0	3	8	CFRS779M3XS	M	636 (289)	98 ³ / ₈ (2498.7)	75 ⁷ / ₈ (1927.2)	72 ³ / ₈ (1838.3)		
480	107.0	3	4	CFRS779M5XS	M	636 (289)	98 ³ / ₈ (2498.7)	75 ⁷ / ₈ (1927.2)	72 ³ / ₈ (1838.3)		

8 inch - 150 lb ANSI Flange



• M - Manufacturing lead times

■ Truck Shipment only

Circulation Heaters

WATROD and FIREBAR Circulation Heaters



Application: Lightweight Oils and Heat Transfer Oils

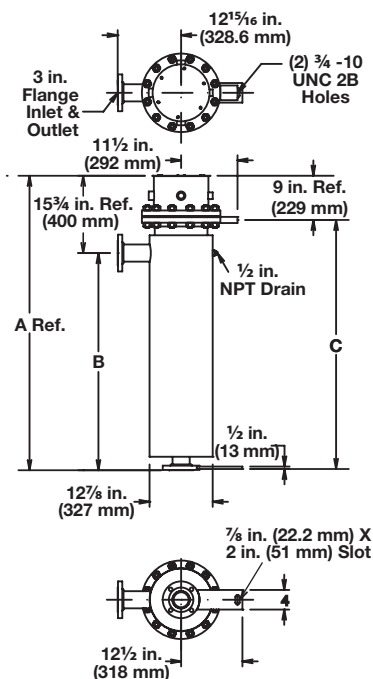
- WATROD or FIREBAR elements
- Without thermostat
- General purpose enclosure

Description	Volts	kW	Ph	# Circ.	Part Number	Del.	Ship Wt. lbs (kg)	"A" Dim. in. (mm)	"B" Dim. in. (mm)	"C" Dim. in. (mm)
10 inch - 150 lb ANSI Flange (WATROD)										
23 W/in ² Steel Tank	480	90.0	3	3	CFSS762E5S	M	540 (245)	91 ¹ / ₄ (2316.0)	75 ¹ / ₂ (1916.0)	81 ¹⁵ / ₁₆ (2081.2)
27-Steel Elements (3.6 W/cm ²)	480	105.0	3	3	CFSS770N5S	M	600 (645)	99 ¹ / ₈ (2517.8)	83 ³ / ₈ (2117.7)	89 ¹³ / ₁₆ (2281.2)
	480	120.0	3	3	CFSS778N5S	M	645 (293)	106 ⁵ / ₈ (2708.3)	90 ⁷ / ₈ (2308.2)	97 ⁵ / ₁₆ (2471.7)
12 inch - 150 lb ANSI Flange (WATROD)										
23 W/in ² Steel Tank	480	140.0	3	4	CFTS770L5S	M	650 (295)	99 (2515)	82 ⁷ / ₈ (2105.0)	89 ⁵ / ₈ (2276.5)
36-Steel Elements (3.6 W/cm ²)	480	160.0	3	4	CFTS778L5S	M	700 (318)	106 ¹ / ₂ (2705)	90 ³ / ₈ (2295.5)	97 ¹ / ₈ (2467.0)
14 inch - 150 lb ANSI Flange (WATROD)										
23 W/in ² Steel Tank	480	150.0	3	5	CFWS762A5S	M	650 (295)	90 ³ / ₄ (2305)	74 ¹ / ₂ (1891)	81 ³ / ₁₆ (2062.2)
45-Steel Elements (3.6 W/cm ²)	480	175.0	3	5	CFWS770J5S	M	700 (318)	98 ¹ / ₄ (2496)	82 (2081)	88 ¹¹ / ₁₆ (2252.7)
	480	200.0	3	5	CFWS778J5S	M	780 (354)	105 ³ / ₄ (2686)	89 ¹ / ₂ (2272)	96 ³ / ₁₆ (2443.2)

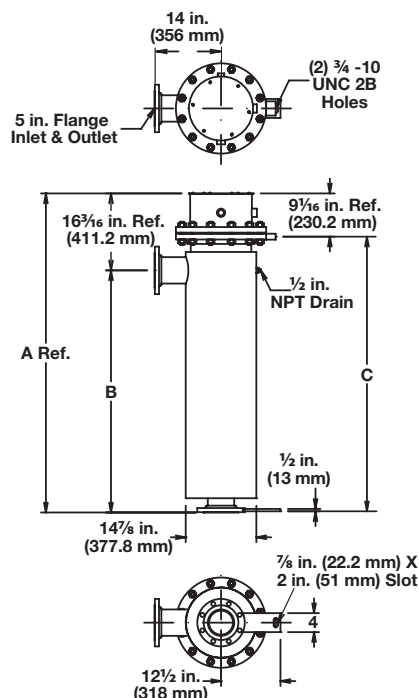
• M - Manufacturing lead times

■ Truck Shipment only

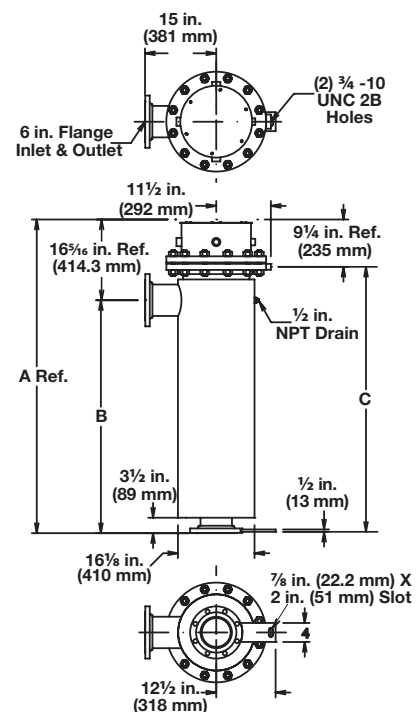
10 inch - 150 lb ANSI Flange



12 inch - 150 lb ANSI Flange



14 inch - 150 lb ANSI Flange



Circulation Heaters

WATROD and FIREBAR Circulation Heaters

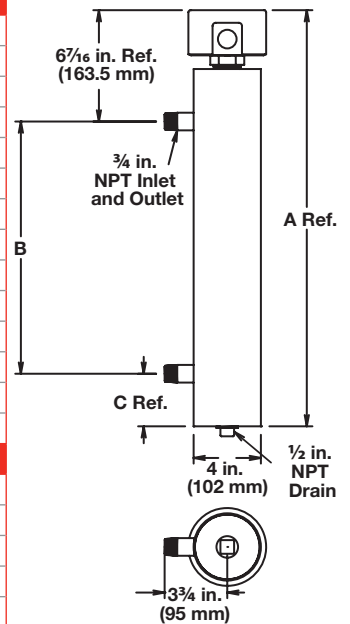


Application: Medium Weight Oils and Heat Transfer Oils

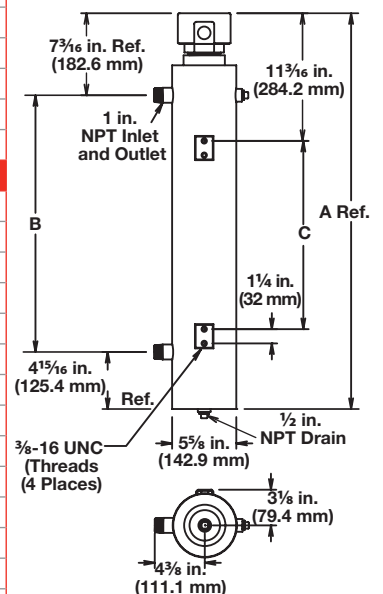
- WATROD or FIREBAR elements
- Without thermostat
- General purpose enclosure

Description	Volts	kW	Ph	# Circ.	Part Number	Del.	Ship Wt. lbs (kg)	"A" Dim. in. (mm)	"B" Dim. in. (mm)	"C" Dim. in. (mm)
1 1/4 inch NPT Screw Plug (FIREBAR)										
15 W/in² ③ Steel Tank 1-Alloy 800 Elements (2.3 W/cm²)	240	0.67	3	1	CBDNF13A29S	M	25 (12)	24 ⁵ / ₈ (625.5)	15 (381)	3 ¹ / ₈ (79.4)
	240	0.83	3	1	CBDNF15J29S	M	26 (12)	24 ⁵ / ₈ (625.5)	15 (381)	3 ¹ / ₈ (79.4)
	240	1.00	3	1	CBDNF18A29S	M	30 (14)	32 ⁵ / ₈ (828.7)	23 (584)	3 ¹ / ₈ (79.4)
	240	1.33	3	1	CBDNF22J29S	M	31 (14)	32 ⁵ / ₈ (828.7)	23 (584)	3 ¹ / ₈ (79.4)
	480	1.33	3	1	CBDNF22J30S	M	31 (14)	32 ⁵ / ₈ (828.7)	23 (584)	3 ¹ / ₈ (79.4)
	240	1.67	3	1	CBDNF27J29S	M	43 (20)	42 ⁵ / ₈ (1082.7)	32 (813)	4 ³ / ₈ (111.1)
	480	1.67	3	1	CBDNF27J30S	M	43 (20)	42 ⁵ / ₈ (1082.7)	32 (813)	4 ³ / ₈ (111.1)
	240	2.00	3	1	CBDNF32J29S	M	44 (20)	42 ⁵ / ₈ (1082.7)	32 (813)	4 ³ / ₈ (111.1)
	480	2.00	3	1	CBDNF32J30S	M	44 (20)	42 ⁵ / ₈ (1082.7)	32 (813)	4 ³ / ₈ (111.1)
	240	2.67	3	1	CBDNF42A29S	M	69 (32)	63 ⁵ / ₈ (1616.1)	53 (1346)	4 ³ / ₈ (111.1)
	480	2.67	3	1	CBDNF42A30S	M	69 (32)	63 ⁵ / ₈ (1616.1)	53 (1346)	4 ³ / ₈ (111.1)
	240	3.33	3	1	CBDNF51J29S	M	71 (33)	63 ⁵ / ₈ (1616.1)	53 (1346)	4 ³ / ₈ (111.1)
	480	3.33	3	1	CBDNF51J30S	M	71 (33)	63 ⁵ / ₈ (1616.1)	53 (1346)	4 ³ / ₈ (111.1)
2 1/2 inch NPT Screw Plug (WATROD)										
16 W/in² ③ Steel Tank 3-Alloy 800 Elements (2.5 W/cm²)	240	2.0	3	1	CBLN717G12S	RS	24 (11)	34 ³ / ₄ (881)	22 ¹ / ₂ (572)	16 ¹ / ₂ (419)
	480	2.0	3	1	CBLN717G13S	RS	24 (11)	34 ³ / ₄ (881)	22 ¹ / ₂ (572)	16 ¹ / ₂ (419)
	240	2.5	3	1	CBLN719R12S	RS	26 (12)	34 ³ / ₄ (881)	22 ¹ / ₂ (572)	16 ¹ / ₂ (419)
	480	2.5	3	1	CBLN719R13S	RS	26 (12)	34 ³ / ₄ (881)	22 ¹ / ₂ (572)	16 ¹ / ₂ (419)
	240	3.0	3	1	CBLN724R12S	RS	27 (13)	34 ³ / ₄ (881)	22 ¹ / ₂ (572)	16 ¹ / ₂ (419)
	480	3.0	3	1	CBLN724R13S	RS	27 (13)	34 ³ / ₄ (881)	22 ¹ / ₂ (572)	16 ¹ / ₂ (419)
	240	4.0	3	1	CBLN732G12S	RS	29 (14)	44 ³ / ₄ (1135)	32 ¹ / ₂ (826)	26 ¹ / ₂ (673)
	480	4.0	3	1	CBLN732G13S	RS	29 (14)	44 ³ / ₄ (1135)	32 ¹ / ₂ (826)	26 ¹ / ₂ (673)
	240	5.0	3	1	CBLN739R12S	RS	31 (14)	57 ¹ / ₄ (1453)	45 (1143)	39 (991)
	480	5.0	3	1	CBLN739R13S	RS	31 (14)	57 ¹ / ₄ (1453)	45 (1143)	39 (991)
	240	6.0	3	1	CBLN747G12S	RS	32 (15)	57 ¹ / ₄ (1453)	45 (1143)	39 (991)
	480	6.0	3	1	CBLN747G13S	RS	32 (15)	57 ¹ / ₄ (1453)	45 (1143)	39 (991)
2 1/2 inch NPT Screw Plug (FIREBAR)										
15 W/in² ③ Steel Tank 3-Alloy 800 Elements (2.3 W/cm²)	240	2.00	3	1	CBLNF12A29S	M	21 (10)	34 ³ / ₄ (881)	22 ¹ / ₂ (572)	16 ¹ / ₂ (419)
	240	2.50	3	1	CBLNF14J29S	M	22 (10)	34 ³ / ₄ (881)	22 ¹ / ₂ (572)	16 ¹ / ₂ (419)
	240	3.00	3	1	CBLNF17A29S	M	23 (11)	34 ³ / ₄ (881)	22 ¹ / ₂ (572)	16 ¹ / ₂ (419)
	240	4.00	3	1	CBLNF21J29S	M	31 (14)	34 ³ / ₄ (881)	22 ¹ / ₂ (572)	16 ¹ / ₂ (419)
	480	4.00	3	1	CBLNF21J30S	M	31 (14)	34 ³ / ₄ (881)	22 ¹ / ₂ (572)	16 ¹ / ₂ (419)
	240	5.00	3	1	CBLNF26J29S	M	34 (16)	44 ³ / ₄ (1135)	32 ¹ / ₂ (826)	26 ¹ / ₂ (673)
	480	5.00	3	1	CBLNF26J30S	M	34 (16)	44 ³ / ₄ (1135)	32 ¹ / ₂ (826)	26 ¹ / ₂ (673)
	240	6.00	3	1	CBLNF31J29S	M	35 (16)	44 ³ / ₄ (1135)	32 ¹ / ₂ (826)	26 ¹ / ₂ (673)
	480	6.00	3	1	CBLNF31J30S	M	35 (16)	44 ³ / ₄ (1135)	32 ¹ / ₂ (826)	26 ¹ / ₂ (673)
	240	8.00	3	1	CBLNF41A29S	M	44 (20)	57 ¹ / ₄ (1453)	45 (1143)	39 (991)
	480	8.00	3	1	CBLNF41A30S	M	44 (20)	57 ¹ / ₄ (1453)	45 (1143)	39 (991)
	240	10.00	3	1	CBLNF50J29S	M	52 (24)	63 ³ / ₄ (1618)	51 ¹ / ₂ (1308)	46 ¹ / ₂ (1181)
	480	10.00	3	1	CBLNF50J30S	M	52 (24)	63 ³ / ₄ (1618)	51 ¹ / ₂ (1308)	46 ¹ / ₂ (1181)

1 1/4 inch NPT Screw Plug



2 1/2 inch NPT Screw Plug



③ Wired for 3-phase operation only

RAPID SHIP

- RS - Next day shipment
- M - Manufacturing lead times up to 5 pieces

WATLOW®

Circulation Heaters

WATROD and FIREBAR Circulation Heaters

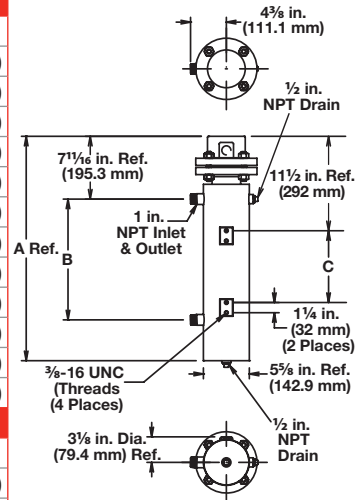


Application: Medium Weight Oils and Heat Transfer Oils

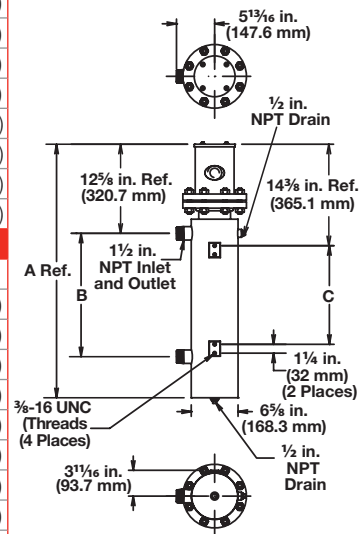
- WATROD or FIREBAR elements
- Without thermostat
- General purpose enclosure

Description	Volts	kW	Ph	# Circ.	Part Number	Del.	Ship Wt. lbs (kg)	"A" Dim. in. (mm)	"B" Dim. in. (mm)	"C" Dim. in. (mm)
3 inch - 150 lb ANSI Flange (WATROD)										
16 W/in² ③ Steel Tank 3-Alloy 800 Elements (2.6 W/cm²)	240	2.00	3	1	CFMN718A12S	RS	68 (31)	35 ¹ / ₄ (894)	22 ¹ / ₂ (573)	16 ¹ / ₂ (419)
	480	2.00	3	1	CFMN718A13S	RS	68 (31)	35 ¹ / ₄ (894)	22 ¹ / ₂ (573)	16 ¹ / ₂ (419)
	240	2.50	3	1	CFMN720J12S	RS	70 (32)	35 ¹ / ₄ (894)	22 ¹ / ₂ (573)	16 ¹ / ₂ (419)
	480	2.50	3	1	CFMN720J13S	RS	70 (32)	35 ¹ / ₄ (894)	22 ¹ / ₂ (573)	16 ¹ / ₂ (419)
	240	3.00	3	1	CFMN725J12S	M	78 (36)	45 ¹ / ₄ (1148)	32 ¹ / ₂ (826)	26 ¹ / ₂ (673)
	480	3.00	3	1	CFMN725J13S	M	78 (36)	45 ¹ / ₄ (1148)	32 ¹ / ₂ (826)	26 ¹ / ₂ (673)
	240	4.00	3	1	CFMN733A12S	M	96 (44)	45 ¹ / ₄ (1148)	32 ¹ / ₂ (826)	26 ¹ / ₂ (673)
	480	4.00	3	1	CFMN733A13S	M	96 (44)	45 ¹ / ₄ (1148)	32 ¹ / ₂ (826)	26 ¹ / ₂ (673)
	240	5.00	3	1	CFMN740J12S	M	100 (46)	57 ³ / ₄ (1465)	45 (1143)	39 (991)
	480	5.00	3	1	CFMN740J13S	M	100 (46)	57 ³ / ₄ (1465)	45 (1143)	39 (991)
	240	6.00	3	1	CFMN748A12S	M	107 (49)	57 ³ / ₄ (1465)	45 (1143)	39 (991)
480	6.00	3	1	CFMN748A13S	M	107 (49)	57 ³ / ₄ (1465)	45 (1143)	39 (991)	
4 inch - 150 lb ANSI Flange (WATROD)										
16 W/in² ③ Steel Tank 6-Alloy 800 Elements (2.5 W/cm²)	240	3.0	3	1	CFON713J12S	M	122 (56)	39 (989)	20 ¹ / ₂ (521)	17 (432)
	480	3.0	3	1	CFON713J13S	M	122 (56)	39 (989)	20 ¹ / ₂ (521)	17 (432)
	240	4.0	3	1	CFON718A12S	M	125 (57)	39 (989)	20 ¹ / ₂ (521)	17 (432)
	480	4.0	3	1	CFON718A13S	M	125 (57)	39 (989)	20 ¹ / ₂ (521)	17 (432)
	240	5.0	3	1	CFON720J12S	M	127 (58)	39 (989)	20 ¹ / ₂ (521)	17 (432)
	480	5.0	3	1	CFON720J13S	M	127 (58)	39 (989)	20 ¹ / ₂ (521)	17 (432)
	240	6.0	3	1	CFON725J12S	M	160 (73)	39 (989)	20 ¹ / ₂ (521)	17 (432)
	480	6.0	3	1	CFON725J13S	M	160 (73)	39 (989)	20 ¹ / ₂ (521)	17 (432)
	240	8.0	3	1	CFON733A12S	M	163 (74)	49 ¹ / ₂ (1256)	31 (787)	27 ¹ / ₂ (699)
	480	8.0	3	1	CFON733A13S	M	163 (74)	49 ¹ / ₂ (1256)	31 (787)	27 ¹ / ₂ (699)
	240	10.0	3	1	CFON740J12S	M	229 (104)	70 ¹ / ₂ (1789)	52 (1321)	48 ¹ / ₂ (1232)
	480	10.0	3	1	CFON740J13S	M	229 (104)	70 ¹ / ₂ (1789)	52 (1321)	48 ¹ / ₂ (1232)
	240	12.0	3	1	CFON748A12S	M	234 (107)	70 ¹ / ₂ (1789)	52 (1321)	48 ¹ / ₂ (1232)
	480	12.0	3	1	CFON748A13S	M	234 (107)	70 ¹ / ₂ (1789)	52 (1321)	48 ¹ / ₂ (1232)
4 inch - 150 lb ANSI Flange (FIREBAR)										
15 W/in² ③ Steel Tank 6-Alloy 800 Elements (2.3 W/cm²)	240	4.00	3	1	CFONF13G29S	M	125 (57)	39 (989)	20 ¹ / ₂ (521)	17 (432)
	240	5.00	3	1	CFONF16A29S	M	128 (58)	39 (989)	20 ¹ / ₂ (521)	17 (432)
	240	6.00	3	1	CFONF18G29S	M	130 (59)	39 (989)	20 ¹ / ₂ (521)	17 (432)
	240	8.00	3	1	CFONF22R29S	M	133 (61)	39 (989)	20 ¹ / ₂ (521)	17 (432)
	480	8.00	3	1	CFONF22R30S	M	133 (61)	39 (989)	20 ¹ / ₂ (521)	17 (432)
	240	10.00	3	1	CFONF27R29S	M	168 (77)	49 ¹ / ₂ (1256)	31 (787)	27 ¹ / ₂ (699)
	480	10.00	3	1	CFONF27R30S	M	168 (77)	49 ¹ / ₂ (1256)	31 (787)	27 ¹ / ₂ (699)
	240	12.00	3	1	CFONF32R29S	M	170 (77)	49 ¹ / ₂ (1256)	31 (787)	27 ¹ / ₂ (699)
	480	12.00	3	1	CFONF32R30S	M	170 (77)	49 ¹ / ₂ (1256)	31 (787)	27 ¹ / ₂ (699)
	240	16.00	3	1	CFONF42G29S	M	236 (107)	70 ¹ / ₂ (1789)	52 (1321)	48 ¹ / ₂ (1232)
	480	16.00	3	1	CFONF42G30S	M	236 (107)	70 ¹ / ₂ (1789)	52 (1321)	48 ¹ / ₂ (1232)
	240	20.00	3	1	CFONF51R29S	M	240 (109)	70 ¹ / ₂ (1789)	52 (1321)	48 ¹ / ₂ (1232)
	480	20.00	3	1	CFONF51R30S	M	240 (109)	70 ¹ / ₂ (1789)	52 (1321)	48 ¹ / ₂ (1232)

3 inch - 150 lb ANSI Flange



4 inch - 150 lb ANSI Flange



RAPID SHIP

③ Wired for 3-phase operation only

■ Truck Shipment only

• RS - Next day shipment up to 5 pieces • M - Manufacturing lead times

Circulation Heaters

WATROD and FIREBAR Circulation Heaters

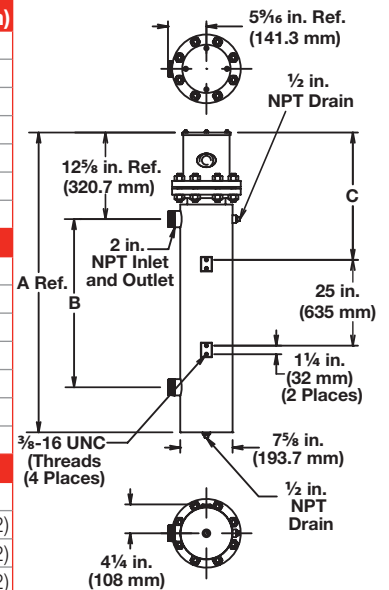


Application: Medium Weight Oils and Heat Transfer Oils

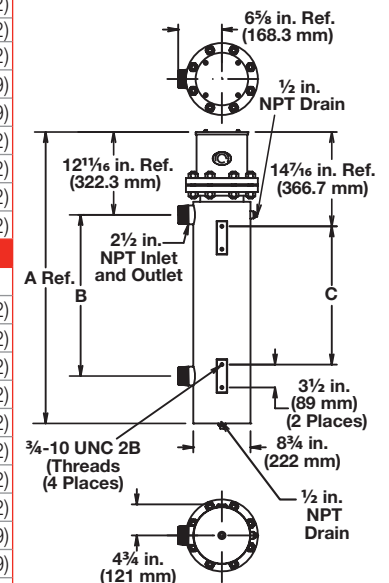
- WATROD or FIREBAR elements
- Without thermostat
- General purpose enclosure

Description	Volts	kW	Ph	# Circ.	Part Number	Del.	Ship Wt. lbs (kg)	"A" Dim. in. (mm)	"B" Dim. in. (mm)	"C" Dim. in. (mm)	
5 inch - 150 lb ANSI Flange (WATROD)											
16 W/in ² ③	240	8.0	3	1	CFNN733A12S	M	145 (66)	49 ¹ / ₄ (1249)	30 (762)	25 (633.0)	
Steel Tank	480	8.0	3	1	CFNN733A13S	M	145 (66)	49 ¹ / ₄ (1249)	30 (762)	25 (633.0)	
6-Alloy 800 Elements (2.6 W/cm ²)	240	10.0	3	1	CFNN740J12S	M	167 (76)	56 ¹ / ₄ (1427)	37 (940)	25 (633.0)	
	480	10.0	3	1	CFNN740J13S	M	167 (76)	56 ¹ / ₄ (1427)	37 (940)	25 (633.0)	
	240	12.0	3	1	CFNN748A12S	M	180 (82)	67 ³ / ₄ (1719)	48 ¹ / ₂ (1232)	25 (633.0)	
	480	12.0	3	1	CFNN748A13S	M	180 (82)	67 ³ / ₄ (1719)	48 ¹ / ₂ (1232)	25 (633.0)	
5 inch - 150 lb ANSI Flange (WATROD)											
16 W/in ² ③	240	12.0	3	1	CFNN733A12XS	M	150 (68)	49 ¹ / ₄ (1249)	30 (762)	25 (633.0)	
Steel Tank	480	12.0	3	1	CFNN733A13XS	M	150 (68)	49 ¹ / ₄ (1249)	30 (762)	25 (633.0)	
9-Alloy 800 Elements (2.6 W/cm ²)	240	15.0	3	1	CFNN740J12XS	M	173 (79)	56 ¹ / ₄ (1427)	37 (940)	25 (633.0)	
	480	15.0	3	1	CFNN740J13XS	M	173 (79)	56 ¹ / ₄ (1427)	37 (940)	25 (633.0)	
	240	18.0	3	1	CFNN748A12XS	M	188 (86)	67 ³ / ₄ (1719)	48 ¹ / ₂ (1232)	25 (633.0)	
	480	18.0	3	1	CFNN748A13XS	M	188 (86)	67 ³ / ₄ (1719)	48 ¹ / ₂ (1232)	25 (633.0)	
6 inch - 150 lb ANSI Flange (WATROD)											
16 W/in ² ③	240	6.0	3	1	CFPN713G12S	M	212 (97)	40 ¹ / ₂ (1027)	20 ¹ / ₂ (521)	17 (432)	
Steel Tank	480	6.0	3	1	CFPN713G13S	M	212 (97)	40 ¹ / ₂ (1027)	20 ¹ / ₂ (521)	17 (432)	
12-Alloy 800 Elements (2.6 W/cm ²)	240	8.0	3	1	CFPN717R12S	M	214 (97)	40 ¹ / ₂ (1027)	20 ¹ / ₂ (521)	17 (432)	
	480	8.0	3	1	CFPN717R13S	M	214 (97)	40 ¹ / ₂ (1027)	20 ¹ / ₂ (521)	17 (432)	
	240	10.0	3	1	CFPN720G12S	M	217 (99)	40 ¹ / ₂ (1027)	20 ¹ / ₂ (521)	17 (432)	
	480	10.0	3	1	CFPN720G13S	M	217 (99)	40 ¹ / ₂ (1027)	20 ¹ / ₂ (521)	17 (432)	
	240	12.0	3	1	CFPN725G12S	M	222 (101)	40 ¹ / ₂ (1027)	20 ¹ / ₂ (521)	17 (432)	
	480	12.0	3	1	CFPN725G13S	M	222 (101)	40 ¹ / ₂ (1027)	20 ¹ / ₂ (521)	17 (432)	
	240	16.0	3	1	CFPN732R12S	M	226 (103)	51 (1294)	31 (787)	27 ¹ / ₂ (699)	
	480	16.0	3	1	CFPN732R13S	M	226 (103)	51 (1294)	31 (787)	27 ¹ / ₂ (699)	
	240	20.0	3	2	CFPN740G12S	M	290 (132)	72 (1827)	52 (1321)	48 ¹ / ₂ (1232)	
	480	20.0	3	1	CFPN740G13S	M	290 (132)	72 (1827)	52 (1321)	48 ¹ / ₂ (1232)	
	240	24.0	3	2	CFPN747R12S	M	298 (136)	72 (1827)	52 (1321)	48 ¹ / ₂ (1232)	
	480	24.0	3	1	CFPN747R13S	M	298 (136)	72 (1827)	52 (1321)	48 ¹ / ₂ (1232)	
	6 inch - 150 lb ANSI Flange (WATROD)										
	16 W/in ² ③	240	7.50	3	1	CFPN713G12XS	M	215 (98)	40 ¹ / ₂ (1027)	20 ¹ / ₂ (521)	17 (432)
	Steel Tank	480	7.50	3	1	CFPN713G13XS	M	215 (98)	40 ¹ / ₂ (1027)	20 ¹ / ₂ (521)	17 (432)
	15-Alloy 800 Elements (2.6 W/cm ²)	240	10.0	3	1	CFPN717R12XS	M	217 (99)	40 ¹ / ₂ (1027)	20 ¹ / ₂ (521)	17 (432)
480		10.0	3	1	CFPN717R13XS	M	217 (99)	40 ¹ / ₂ (1027)	20 ¹ / ₂ (521)	17 (432)	
240		12.5	3	1	CFPN720G12XS	M	223 (102)	40 ¹ / ₂ (1027)	20 ¹ / ₂ (521)	17 (432)	
480		12.5	3	1	CFPN720G13XS	M	223 (102)	40 ¹ / ₂ (1027)	20 ¹ / ₂ (521)	17 (432)	
240		15.0	3	1	CFPN725G12XS	M	226 (103)	40 ¹ / ₂ (1027)	20 ¹ / ₂ (521)	17 (432)	
480		15.0	3	1	CFPN725G13XS	M	226 (103)	40 ¹ / ₂ (1027)	20 ¹ / ₂ (521)	17 (432)	
240		20.0	3	5	CFPN732R12XS	M	288 (131)	51 (1294)	31 (787)	27 ¹ / ₂ (699)	
480		20.0	3	1	CFPN732R13XS	M	288 (131)	51 (1294)	31 (787)	27 ¹ / ₂ (699)	
240		25.0	3	5	CFPN740G12XS	M	296 (135)	72 (1827)	52 (1321)	48 ¹ / ₂ (1232)	
480		25.0	3	1	CFPN740G13XS	M	296 (135)	72 (1827)	52 (1321)	48 ¹ / ₂ (1232)	
240		30.0	3	5	CFPN747R12XS	M	306 (139)	72 (1827)	52 (1321)	48 ¹ / ₂ (1232)	
480		30.0	3	1	CFPN747R13XS	M	306 (139)	72 (1827)	52 (1321)	48 ¹ / ₂ (1232)	

5 inch - 150 lb ANSI Flange



6 inch - 150 lb ANSI Flange



• M - Manufacturing lead times

③ Wired for 3-phase operation only

■ Truck Shipment only

Circulation Heaters

WATROD and FIREBAR Circulation Heaters

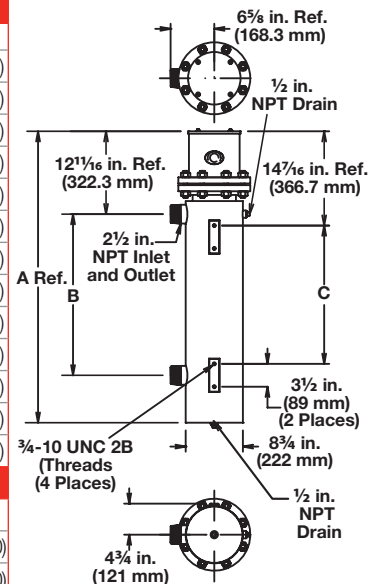


Application: Medium Weight Oils and Heat Transfer Oils

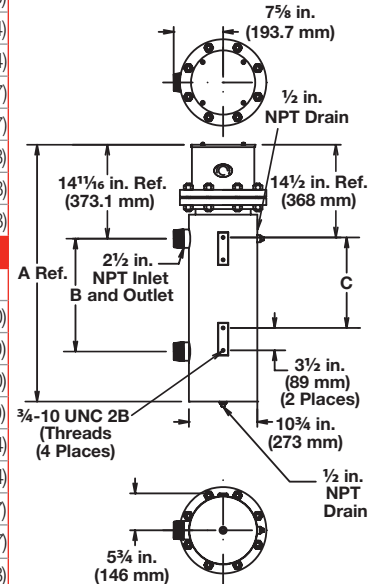
- WATROD or FIREBAR elements
- Without thermostat
- General purpose enclosure

Description	Volts	kW	Ph	# Circ.	Part Number	Del.	Ship Wt. lbs (kg)	"A" Dim. in. (mm)	"B" Dim. in. (mm)	"C" Dim. in. (mm)
6 inch - 150 lb ANSI Flange (FIREBAR)										
15 W/in² ③ Steel Tank 15-Alloy 800 Elements (2.3 W/cm²)	240	10.00	3	5	CFPNF13G29S	M	217 (99)	40 ¹ / ₂ (1027)	20 ¹ / ₂ (521)	17 (432)
	240	12.50	3	5	CFPNF16A29S	M	220 (100)	40 ¹ / ₂ (1027)	20 ¹ / ₂ (521)	17 (432)
	240	15.00	3	5	CFPNF18G29S	M	223 (102)	40 ¹ / ₂ (1027)	20 ¹ / ₂ (521)	17 (432)
	240	20.00	3	5	CFPNF22R29S	M	226 (103)	40 ¹ / ₂ (1027)	20 ¹ / ₂ (521)	17 (432)
	480	20.00	3	5	CFPNF22R30S	M	226 (103)	40 ¹ / ₂ (1027)	20 ¹ / ₂ (521)	17 (432)
	240	25.00	3	5	CFPNF27R29S	M	232 (106)	51 (1294)	31 (787)	27 ¹ / ₂ (699)
	480	25.00	3	5	CFPNF27R30S	M	232 (106)	51 (1294)	31 (787)	27 ¹ / ₂ (699)
	240	30.00	3	5	CFPNF32R29S	M	236 (107)	51 (1294)	31 (787)	27 ¹ / ₂ (699)
	480	30.00	3	5	CFPNF32R30S	M	236 (107)	51 (1294)	31 (787)	27 ¹ / ₂ (699)
	240	40.00	3	5	CFPNF42G29S	M	304 (138)	72 (1827)	52 (1321)	48 ¹ / ₂ (1232)
	480	40.00	3	5	CFPNF42G30S	M	304 (138)	72 (1827)	52 (1321)	48 ¹ / ₂ (1232)
	240	50.00	3	5	CFPNF51R29S	M	314 (143)	72 (1827)	52 (1321)	48 ¹ / ₂ (1232)
480	50.00	3	5	CFPNF51R30S	M	314 (143)	72 (1827)	52 (1321)	48 ¹ / ₂ (1232)	
8 inch - 150 lb ANSI Flange (WATROD)										
16 W/in² ③ Steel Tank 18-Alloy 800 Elements (2.6 W/cm²)	240	17.00	3	1	CFRN725N12S	M	350 (159)	55 ¹ / ₄ (1402.0)	32 ³ / ₄ (830.0)	29 ¹ / ₄ (741.0)
	480	17.00	3	1	CFRN725N13S	M	350 (159)	55 ¹ / ₄ (1402.0)	32 ³ / ₄ (830.0)	29 ¹ / ₄ (741.0)
	240	25.00	3	2	CFRN735N12S	M	380 (173)	62 ¹ / ₄ (1580.0)	39 ³ / ₄ (1008.0)	36 ¹ / ₄ (919.0)
	480	25.00	3	1	CFRN735N13S	M	380 (173)	62 ¹ / ₄ (1580.0)	39 ³ / ₄ (1008.0)	36 ¹ / ₄ (919.0)
	240	33.00	3	2	CFRN744E12S	M	410 (186)	69 ⁷ / ₈ (1774.8)	47 ³ / ₈ (1203.3)	43 ⁷ / ₈ (1114.4)
	480	33.00	3	1	CFRN744E13S	M	410 (186)	69 ⁷ / ₈ (1774.8)	47 ³ / ₈ (1203.3)	43 ⁷ / ₈ (1114.4)
	240	42.00	3	3	CFRN754M12S	M	445 (202)	79 ³ / ₈ (2016.1)	56 ⁷ / ₈ (1444.6)	53 ³ / ₈ (1355.7)
	480	42.00	3	2	CFRN754M13S	M	445 (202)	79 ³ / ₈ (2016.1)	56 ⁷ / ₈ (1444.6)	53 ³ / ₈ (1355.7)
	480	50.00	3	2	CFRN763M13S	M	490 (223)	88 ³ / ₈ (2244.7)	65 ⁷ / ₈ (1673.2)	62 ³ / ₈ (1584.3)
	480	58.00	3	2	CFRN773D13S	M	530 (241)	98 ³ / ₈ (2498.7)	75 ⁷ / ₈ (1927.2)	72 ³ / ₈ (1838.3)
	480	67.00	3	2	CFRN782M13S	M	560 (254)	98 ³ / ₈ (2498.7)	75 ⁷ / ₈ (1927.2)	72 ³ / ₈ (1838.3)
	8 inch - 150 lb ANSI Flange (WATROD)									
16 W/in² ③ Steel Tank 24-Alloy 800 Elements (2.6 W/cm²)	240	23.0	3	2	CFRN726D12XS	M	358 (163)	55 ¹ / ₄ (1402.0)	32 ³ / ₄ (830.0)	29 ¹ / ₄ (741.0)
	480	23.0	3	1	CFRN726D13XS	M	358 (163)	55 ¹ / ₄ (1402.0)	32 ³ / ₄ (830.0)	29 ¹ / ₄ (741.0)
	240	33.0	3	2	CFRN736D12XS	M	392 (178)	62 ¹ / ₄ (1580.0)	39 ³ / ₄ (1008.0)	36 ¹ / ₄ (919.0)
	480	33.0	3	1	CFRN736D13XS	M	392 (178)	62 ¹ / ₄ (1580.0)	39 ³ / ₄ (1008.0)	36 ¹ / ₄ (919.0)
	240	44.0	3	4	CFRN744M12XS	M	425 (193)	69 ⁷ / ₈ (1774.8)	47 ³ / ₈ (1203.3)	43 ⁷ / ₈ (1114.4)
	480	44.0	3	2	CFRN744M13XS	M	425 (193)	69 ⁷ / ₈ (1774.8)	47 ³ / ₈ (1203.3)	43 ⁷ / ₈ (1114.4)
	240	56.0	3	4	CFRN754M12XS	M	463 (210)	79 ³ / ₈ (2016.1)	56 ⁷ / ₈ (1444.6)	53 ³ / ₈ (1355.7)
	480	56.0	3	2	CFRN754M13XS	M	463 (210)	79 ³ / ₈ (2016.1)	56 ⁷ / ₈ (1444.6)	53 ³ / ₈ (1355.7)
	480	67.0	3	2	CFRN763M13XS	M	511 (232)	88 ³ / ₈ (2244.7)	65 ⁷ / ₈ (1673.2)	62 ³ / ₈ (1584.3)
	480	77.0	3	2	CFRN773D13XS	M	554 (252)	98 ³ / ₈ (2498.7)	75 ⁷ / ₈ (1927.2)	72 ³ / ₈ (1838.3)
	480	89.0	3	4	CFRN782M13XS	M	587 (267)	98 ³ / ₈ (2498.7)	75 ⁷ / ₈ (1927.2)	72 ³ / ₈ (1838.3)

6 inch - 150 lb ANSI Flange



8 inch - 150 lb ANSI Flange



• M - Manufacturing lead times

③ Wired for 3-phase operation only

■ Truck Shipment only

Circulation Heaters

WATROD and FIREBAR Circulation Heaters



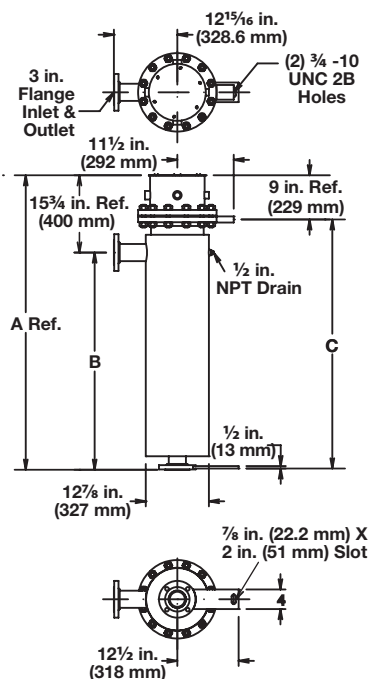
Application: Medium Weight Oils and Heat Transfer Oils

- WATROD or FIREBAR elements
- Without thermostat
- General purpose enclosure

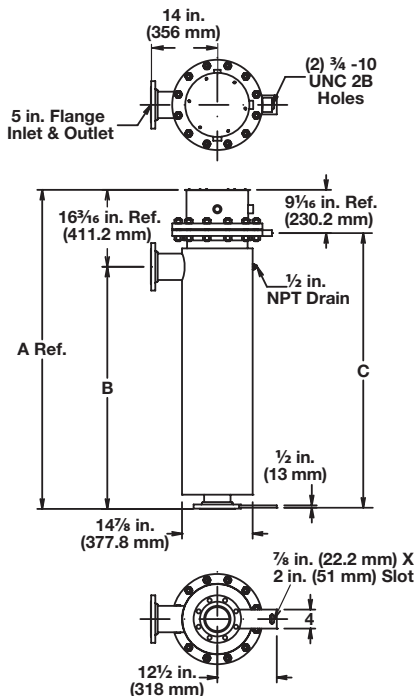
Description	Volts	kW	Ph	# Circ.	Part Number	Ship Wt. Del.	lbs (kg)	"A" Dim. in. (mm)	"B" Dim. in. (mm)	"C" Dim. in. (mm)
10 inch - 150 lb ANSI Flange (WATROD)										
16 W/in ² [ⓐ] Steel Tank 27-Alloy 800 Elements (2.6 W/cm ²)	480	75.0	3	3	CFSN763N13S	M	540 (245)	91 ³ / ₁₆ (2316)	75 ⁷ / ₁₆ (1916)	81 ¹⁵ / ₁₆ (2081)
	480	87.0	3	3	CFSN773E13S	M	600 (273)	106 ⁹ / ₁₆ (2707)	90 ¹³ / ₁₆ (1037)	97 ⁵ / ₁₆ (2471)
12 inch - 150 lb ANSI Flange (WATROD)										
16 W/in ² [ⓐ] Steel Tank 36-Alloy 800 Elements (2.6 W/cm ²)	480	117.0	3	3	CFTN773C13S	M	650 (295)	106 ¹ / ₂ (2705)	90 ³ / ₈ (2295.5)	97 ³ / ₁₆ (2468.6)
14 inch - 150 lb ANSI Flange (WATROD)										
16 W/in ² [ⓐ] Steel Tank 45-Alloy 800 Elements (2.6 W/cm ²)	480	105.0	3	3	CFWN754J13S	M	600 (273)	83 ¹ / ₄ (2115)	67 (1700)	73 ¹¹ / ₁₆ (1872)
	480	125.0	3	5	CFWN763J13S	M	650 (295)	90 ³ / ₄ (2305)	74 ¹ / ₂ (1891)	81 ³ / ₁₆ (2062)

• M - Manufacturing lead times ⓐ Wired for 3-phase operation only Truck Shipment only

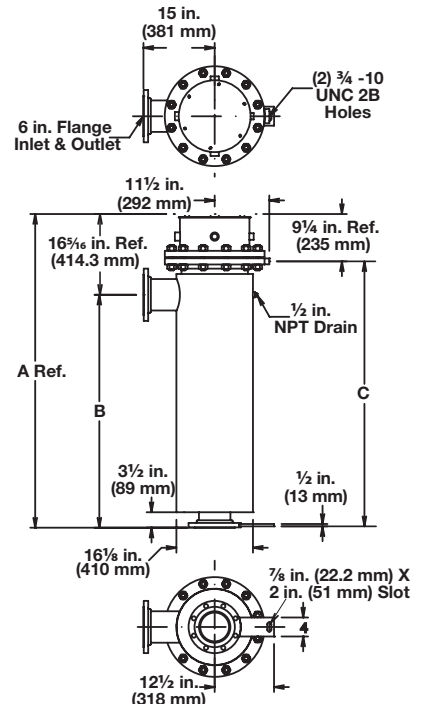
10 inch - 150 lb ANSI Flange



12 inch - 150 lb ANSI Flange



14 inch - 150 lb ANSI Flange



Circulation Heaters

WATROD and FIREBAR Circulation Heaters

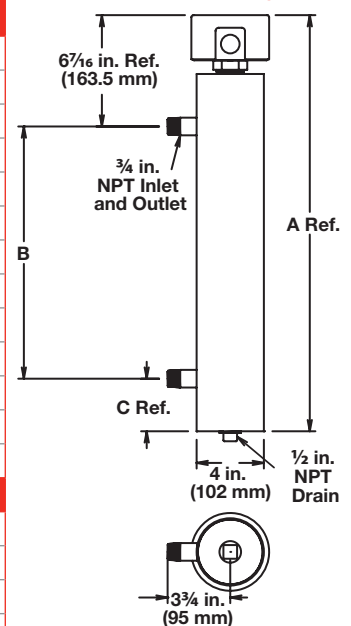


Application: Bunker C, Asphalt and #6 Fuel Oil

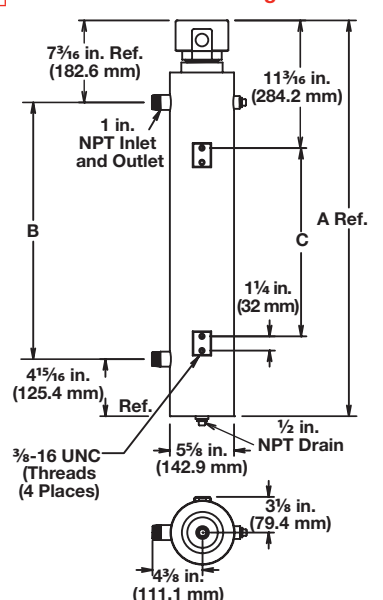
- WATROD or FIREBAR elements
- Without thermostat
- General purpose enclosure

Description	Volts	kW	Ph	# Circ.	Part Number	Del.	Ship Wt. lbs (kg)	"A" Dim. in. (mm)	"B" Dim. in. (mm)	"C" Dim. in. (mm)
1 1/4 inch NPT Screw Plug (FIREBAR)										
8 W/in² [ⓐ] Steel Tank 1-Alloy 800 Element (1.3 W/cm²)	240	0.43	3	1	CBDNF16G22S	M	26 (12)	24 ⁵ / ₈ (625.5)	15 (381)	3 ¹ / ₈ (79.4)
	240	0.55	3	1	CBDNF19G22S	M	30 (14)	32 ⁵ / ₈ (828.7)	23 (584)	3 ¹ / ₈ (79.4)
	240	0.70	3	1	CBDNF24L22S	M	31 (14)	32 ⁵ / ₈ (828.7)	23 (584)	3 ¹ / ₈ (79.4)
	480	0.70	3	1	CBDNF24L21S	M	31 (14)	32 ⁵ / ₈ (828.7)	23 (584)	3 ¹ / ₈ (79.4)
	240	0.88	3	1	CBDNF29R22S	M	43 (20)	42 ⁵ / ₈ (1082.7)	32 (813)	4 ³ / ₈ (111.1)
	480	0.88	3	1	CBDNF29R21S	M	43 (20)	42 ⁵ / ₈ (1082.7)	32 (813)	4 ³ / ₈ (111.1)
	240	1.08	3	1	CBDNF34R22S	M	44 (20)	42 ⁵ / ₈ (1082.7)	32 (813)	4 ³ / ₈ (111.1)
	480	1.08	3	1	CBDNF34R21S	M	44 (20)	42 ⁵ / ₈ (1082.7)	32 (813)	4 ³ / ₈ (111.1)
	240	1.40	3	1	CBDNF45G22S	M	69 (31)	63 ⁵ / ₈ (1616.1)	53 (1346)	4 ³ / ₈ (111.1)
	480	1.40	3	1	CBDNF45G21S	M	69 (31)	63 ⁵ / ₈ (1616.1)	53 (1346)	4 ³ / ₈ (111.1)
	240	1.80	3	1	CBDNF55R22S	M	71 (32)	63 ⁵ / ₈ (1616.1)	53 (1346)	4 ³ / ₈ (111.1)
	480	1.80	3	1	CBDNF55R21S	M	71 (32)	63 ⁵ / ₈ (1616.1)	53 (1346)	4 ³ / ₈ (111.1)
2 1/2 inch NPT Screw Plug (WATROD)										
8 W/in² [ⓐ] Steel Tank 3-Steel Elements (1.3 W/cm²)	240	2.0	3	1	CBLS732E12S	RS	29 (14)	44 ³ / ₄ (1135)	32 ¹ / ₂ (826)	26 ¹ / ₂ (673)
	480	2.0	3	1	CBLS732E13S	RS	29 (14)	44 ³ / ₄ (1135)	32 ¹ / ₂ (826)	26 ¹ / ₂ (673)
	240	3.0	3	1	CBLS747E12S	RS	32 (15)	57 ¹ / ₄ (1453)	45 (1143)	39 (991)
	480	3.0	3	1	CBLS747E13S	RS	32 (15)	57 ¹ / ₄ (1453)	45 (1143)	39 (991)

1 1/4 inch NPT Screw Plug



2 1/2 inch NPT Screw Plug



[ⓐ] Wired for 3-phase operation only

RAPID SHIP

- **RS** - Next day shipment up to 5 pieces
- **M** - Manufacturing lead times

Circulation Heaters

WATROD and FIREBAR Circulation Heaters



Application: Bunker C, Asphalt and #6 Fuel Oil

- WATROD or FIREBAR elements
- Without thermostat
- General purpose enclosure

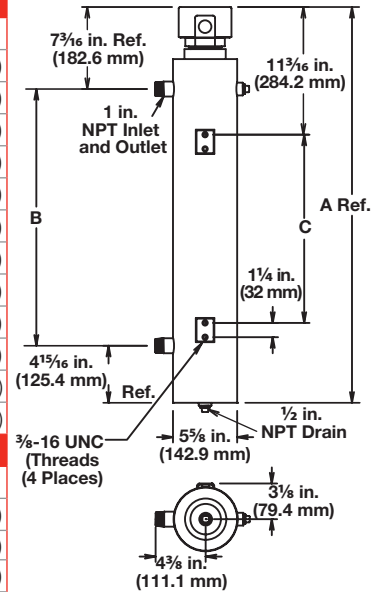
Description	Volts	kW	Ph	# Circ.	Part Number	Del.	Ship Wt. lbs (kg)	"A" Dim. in. (mm)	"B" Dim. in. (mm)	"C" Dim. in. (mm)	
2 1/2 inch NPT Screw Plug (FIREBAR)											
8 W/in ² ③	240	1.25	3	1	CBLNF15C22S	M	22 (10)	34 ³ / ₄ (881)	22 ¹ / ₂ (572)	16 ¹ / ₂ (419)	
Steel Tank	240	1.63	3	1	CBLNF18C22S	M	23 (10)	34 ³ / ₄ (881)	22 ¹ / ₂ (572)	16 ¹ / ₂ (419)	
3-Alloy 800	240	2.13	3	1	CBLNF23C22S	M	31 (14)	34 ³ / ₄ (881)	22 ¹ / ₂ (572)	16 ¹ / ₂ (419)	
Elements (1.3 W/cm ²)	480	2.13	3	1	CBLNF23C21S	M	31 (14)	34 ³ / ₄ (881)	22 ¹ / ₂ (572)	16 ¹ / ₂ (419)	
	240	2.63	3	1	CBLNF28L22S	M	34 (15)	44 ³ / ₄ (1135)	32 ¹ / ₂ (826)	26 ¹ / ₂ (673)	
	480	2.63	3	1	CBLNF28L21S	M	34 (15)	44 ³ / ₄ (1135)	32 ¹ / ₂ (826)	26 ¹ / ₂ (673)	
	240	3.19	3	1	CBLNF33L22S	M	35 (16)	44 ³ / ₄ (1135)	32 ¹ / ₂ (826)	26 ¹ / ₂ (673)	
	480	3.19	3	1	CBLNF33L21S	M	35 (16)	44 ³ / ₄ (1135)	32 ¹ / ₂ (826)	26 ¹ / ₂ (673)	
	240	4.25	3	1	CBLNF44C22S	M	44 (20)	57 ¹ / ₄ (1453)	45 (1143)	39 (991)	
	480	4.25	3	1	CBLNF44C21S	M	44 (20)	57 ¹ / ₄ (1453)	45 (1143)	39 (991)	
	240	5.38	3	1	CBLNF54L22S	M	52 (24)	63 ³ / ₄ (1453)	51 ¹ / ₂ (1308)	46 ¹ / ₂ (1181)	
	480	5.38	3	1	CBLNF54L21S	M	52 (24)	63 ³ / ₄ (1453)	51 ¹ / ₂ (1308)	46 ¹ / ₂ (1181)	
3 inch - 150 lb ANSI Flange (WATROD)											
8 W/in ² ③	240	2.0	3	1	CFMS733A12S	M	96 (44)	45 ¹ / ₄ (1148)	32 ¹ / ₂ (826)	26 ¹ / ₂ (673)	
Steel Tank	480	2.0	3	1	CFMS733A13S	M	96 (44)	45 ¹ / ₄ (1148)	32 ¹ / ₂ (826)	26 ¹ / ₂ (673)	
3-Steel	240	3.0	3	1	CFMS748A12S	M	107 (49)	57 ³ / ₄ (1465)	45 (1143)	39 (991)	
Elements (1.3 W/cm ²)	480	3.0	3	1	CFMS748A13S	M	107 (49)	57 ³ / ₄ (1465)	45 (1143)	39 (991)	

• M - Manufacturing lead times

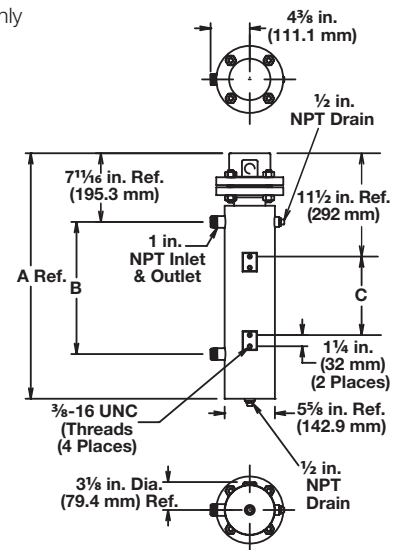
③ Wired for 3-phase operation only

■ Truck Shipment only

2 1/2 inch NPT Screw Plug



3 inch - 150 lb ANSI Flange



Circulation Heaters

WATROD and FIREBAR Circulation Heaters

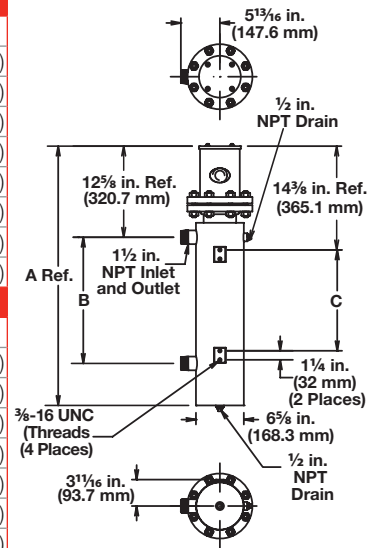


Application: Bunker C, Asphalt and #6 Fuel Oil

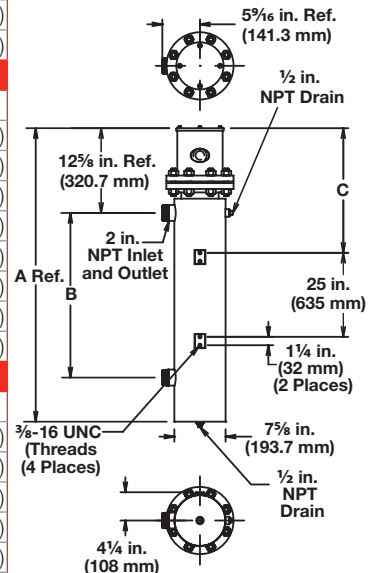
- WATROD or FIREBAR elements
- Without thermostat
- General purpose enclosure

Description	Volts	kW	Ph	# Circ.	Part Number	Del.	Ship Wt. lbs (kg)	"A" Dim. in. (mm)	"B" Dim. in. (mm)	"C" Dim. in. (mm)
4 inch - 150 lb ANSI Flange (WATROD)										
8 W/in² ③ Steel Tank 6-Steel Elements (1.3 W/cm²)	240	5.00	3	1	CFOS740J12S	M	229 (104)	70 ¹ / ₂ (1789)	52 (1321)	48 ¹ / ₂ (1232)
	480	5.00	3	1	CFOS740J13S	M	229 (104)	70 ¹ / ₂ (1789)	52 (1321)	48 ¹ / ₂ (1232)
	240	6.00	3	1	CFOS748A12S	M	234 (106)	70 ¹ / ₂ (1789)	52 (1321)	48 ¹ / ₂ (1232)
	480	6.00	3	1	CFOS748A13S	M	234 (106)	70 ¹ / ₂ (1789)	52 (1321)	48 ¹ / ₂ (1232)
	240	8.00	3	1	CFOS764J12S	M	298 (135)	91 ¹ / ₂ (2326)	73 (1854)	66 (1676)
	480	8.00	3	1	CFOS764J13S	M	298 (135)	91 ¹ / ₂ (2326)	73 (1854)	66 (1676)
	240	10.00	3	1	CFOS777A12S	M	306 (139)	91 ¹ / ₂ (2326)	73 (1854)	66 (1676)
	480	10.00	3	1	CFOS777A13S	M	306 (139)	91 ¹ / ₂ (2326)	73 (1854)	66 (1676)
4 inch - 150 lb ANSI Flange (FIREBAR)										
8 W/in² ③ Steel Tank 6-Alloy 800 Elements (1.3 W/cm²)	240	2.50	3	1	CFONF16J22S	M	128 (58)	39 (989)	20 ¹ / ₂ (521)	17 (432)
	240	3.25	3	1	CFONF19J22S	M	130 (59)	39 (989)	20 ¹ / ₂ (521)	17 (432)
	240	4.25	3	1	CFONF24J22S	M	133 (61)	39 (989)	20 ¹ / ₂ (521)	17 (432)
	480	4.25	3	1	CFONF24J21S	M	133 (61)	39 (989)	20 ¹ / ₂ (521)	17 (432)
	240	5.25	3	1	CFONF30A22S	M	168 (77)	49 ¹ / ₂ (1256)	31 (787)	27 ¹ / ₂ (699)
	480	5.25	3	1	CFONF30A21S	M	168 (77)	49 ¹ / ₂ (1256)	31 (787)	27 ¹ / ₂ (699)
	240	6.38	3	1	CFONF35A22S	M	170 (77)	49 ¹ / ₂ (1256)	31 (787)	27 ¹ / ₂ (699)
	480	6.38	3	1	CFONF35A21S	M	170 (77)	49 ¹ / ₂ (1256)	31 (787)	27 ¹ / ₂ (699)
	240	8.50	3	1	CFONF45J22S	M	236 (107)	70 ¹ / ₂ (1789)	52 (1321)	48 ¹ / ₂ (1232)
	480	8.50	3	1	CFONF45J21S	M	236 (107)	70 ¹ / ₂ (1789)	52 (1321)	48 ¹ / ₂ (1232)
	240	10.75	3	1	CFONF56A22S	M	240 (109)	70 ¹ / ₂ (1789)	52 (1321)	48 ¹ / ₂ (1232)
	480	10.75	3	1	CFONF56A21S	M	240 (109)	70 ¹ / ₂ (1789)	52 (1321)	48 ¹ / ₂ (1232)
5 inch - 150 lb ANSI Flange (WATROD)										
8 W/in² ③ Steel Tank 6-Steel Elements (1.3 W/cm²)	240	5.00	3	1	CFNS740J12S	M	167 (76)	56 ¹ / ₄ (1427.0)	37 (940.0)	25 (633.0)
	480	5.00	3	1	CFNS740J13S	M	167 (76)	56 ¹ / ₄ (1427.0)	37 (940.0)	25 (633.0)
	240	6.00	3	1	CFNS748A12S	M	180 (82)	67 ³ / ₄ (1719.0)	48 ¹ / ₂ (1232.0)	25 (633.0)
	480	6.00	3	1	CFNS748A13S	M	180 (82)	67 ³ / ₄ (1719.0)	48 ¹ / ₂ (1232.0)	25 (633.0)
	240	8.00	3	1	CFNS764J12S	M	195 (89)	81 ¹ / ₈ (2060.6)	61 ⁷ / ₈ (1571.6)	25 (633.0)
	480	8.00	3	1	CFNS764J13S	M	195 (89)	81 ¹ / ₈ (2060.6)	61 ⁷ / ₈ (1571.6)	25 (633.0)
	240	10.00	3	1	CFNS777A12S	M	220 (100)	94 ¹ / ₈ (2390.8)	75 (1902.0)	25 (633.0)
	480	10.00	3	1	CFNS777A13S	M	220 (100)	94 ¹ / ₈ (2390.8)	75 (1902.0)	25 (633.0)
5 inch - 150 lb ANSI Flange (WATROD)										
8 W/in² ③ Steel Tank 9-Steel Elements (1.3 W/cm²)	240	7.5	3	1	CFNS740J12XS	M	173 (79)	56 ¹ / ₄ (1427.0)	37 (940.0)	25 (633.0)
	480	7.5	3	1	CFNS740J13XS	M	173 (79)	56 ¹ / ₄ (1427.0)	37 (940.0)	25 (633.0)
	240	9.0	3	1	CFNS748A12XS	M	188 (86)	67 ³ / ₄ (1719.0)	48 ¹ / ₂ (1232.0)	25 (633.0)
	480	9.0	3	1	CFNS748A13XS	M	188 (86)	67 ³ / ₄ (1719.0)	48 ¹ / ₂ (1232.0)	25 (633.0)
	240	12.0	3	1	CFNS764J12XS	M	206 (94)	81 ¹ / ₈ (2060.6)	61 ⁷ / ₈ (1571.6)	25 (633.0)
	480	12.0	3	1	CFNS764J13XS	M	206 (94)	81 ¹ / ₈ (2060.6)	61 ⁷ / ₈ (1571.6)	25 (633.0)
	240	15.0	3	1	CFNS777A12XS	M	233 (106)	94 ¹ / ₈ (2390.8)	75 (1902.0)	25 (633.0)
	480	15.0	3	1	CFNS777A13XS	M	233 (106)	94 ¹ / ₈ (2390.8)	75 (1902.0)	25 (633.0)

4 inch - 150 lb ANSI Flange



5 inch - 150 lb ANSI Flange



• M - Manufacturing lead times

③ Wired for 3-phase operation only

Truck Shipment only

Circulation Heaters

WATROD and FIREBAR Circulation Heaters

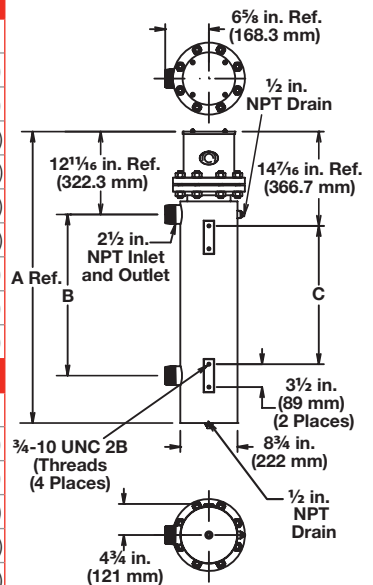


Application: Bunker C, Asphalt and #6 Fuel Oil

- WATROD or FIREBAR elements
- Without thermostat
- General purpose enclosure

Description	Volts	kW	Ph	# Circ.	Part Number	Del.	Ship Wt. lbs (kg)	"A" Dim. in. (mm)	"B" Dim. in. (mm)	"C" Dim. in. (mm)
6 inch - 150 lb ANSI Flange (WATROD)										
8 W/in² ③ Steel Tank 12-Steel Elements (1.3 W/cm²)	240	8.00	3	1	CFPS732R12S	M	226 (103)	51 (1294)	31 (787)	27 1/2 (699)
	480	8.00	3	1	CFPS732R13S	M	226 (103)	51 (1294)	31 (787)	27 1/2 (699)
	240	10.00	3	1	CFPS740G12S	M	290 (132)	72 (1827)	52 (1321)	48 1/2 (1232)
	480	10.00	3	1	CFPS740G13S	M	290 (132)	72 (1827)	52 (1321)	48 1/2 (1232)
	240	12.00	3	1	CFPS747R12S	M	298 (136)	72 (1827)	52 (1321)	48 1/2 (1232)
	480	12.00	3	1	CFPS747R13S	M	298 (136)	72 (1827)	52 (1321)	48 1/2 (1232)
	240	16.50	3	1	CFPS764G12S	M	360 (164)	93 (2361)	73 (1854)	66 (1676)
	480	16.50	3	1	CFPS764G13S	M	360 (164)	93 (2361)	73 (1854)	66 (1676)
	480	20.00	3	1	CFPS776R13S	M	368 (167)	93 (2361)	73 (1854)	66 (1676)
6 inch - 150 lb ANSI Flange (WATROD)										
8 W/in² ③ Steel Tank 15-Steel Elements (1.3 W/cm²)	240	10.00	3	1	CFPS732R12XS	M	288 (131)	51 (1294)	31 (787)	27 1/2 (699)
	480	10.00	3	1	CFPS732R13XS	M	288 (131)	51 (1294)	31 (787)	27 1/2 (699)
	240	12.50	3	1	CFPS740G12XS	M	296 (135)	72 (1827)	52 (1321)	48 1/2 (1232)
	480	12.50	3	1	CFPS740G13XS	M	296 (135)	72 (1827)	52 (1321)	48 1/2 (1232)
	240	15.00	3	1	CFPS747R12XS	M	306 (139)	72 (1827)	52 (1321)	48 1/2 (1232)
	480	15.00	3	1	CFPS747R13XS	M	306 (139)	72 (1827)	52 (1321)	48 1/2 (1232)
	240	21.00	3	5	CFPS764G12XS	M	370 (168)	93 (2361)	73 (1854)	66 (1676)
	480	21.00	3	1	CFPS764G13XS	M	370 (168)	93 (2361)	73 (1854)	66 (1676)
	240	25.00	3	5	CFPS776R12XS	M	381 (173)	93 (2361)	73 (1854)	66 (1676)
	480	25.00	3	1	CFPS776R13XS	M	381 (173)	93 (2361)	73 (1854)	66 (1676)
6 inch - 150 lb ANSI Flange (FIREBAR)										
8 W/in² ③ Steel Tank 15-Alloy 800 Elements (1.3 W/cm²)	240	6.3	3	5	CFPNF16J22S	M	220 (100)	40 1/2 (1027)	20 1/2 (521)	17 (432)
	240	8.1	3	5	CFPNF19J22S	M	223 (102)	40 1/2 (1027)	20 1/2 (521)	17 (432)
	240	10.6	3	5	CFPNF24J22S	M	226 (103)	40 1/2 (1027)	20 1/2 (521)	17 (432)
	480	10.6	3	5	CFPNF24J21S	M	226 (103)	40 1/2 (1027)	20 1/2 (521)	17 (432)
	240	13.1	3	5	CFPNF30A22S	M	232 (106)	51 (1294)	31 (787)	27 1/2 (699)
	480	13.1	3	5	CFPNF30A21S	M	232 (106)	51 (1294)	31 (787)	27 1/2 (699)
	240	16.0	3	5	CFPNF35A22S	M	236 (107)	51 (1294)	31 (787)	27 1/2 (699)
	480	16.0	3	5	CFPNF35A21S	M	236 (107)	51 (1294)	31 (787)	27 1/2 (699)
	240	21.3	3	5	CFPNF45J22S	M	304 (138)	72 (1827)	52 (1321)	48 1/2 (1232)
	480	21.3	3	5	CFPNF45J21S	M	304 (138)	72 (1827)	52 (1321)	48 1/2 (1232)
	240	26.0	3	5	CFPNF56A22S	M	314 (143)	72 (1827)	52 (1321)	48 1/2 (1232)
	480	26.0	3	5	CFPNF56A21S	M	314 (143)	72 (1827)	52 (1321)	48 1/2 (1232)

6 inch - 150 lb ANSI Flange



• M - Manufacturing lead times

③ Wired for 3-phase operation only

■ Truck Shipment only

Circulation Heaters

WATROD and FIREBAR Circulation Heaters



Application: Bunker C, Asphalt and #6 Fuel Oil

- WATROD or FIREBAR elements
- Without thermostat
- General purpose enclosure

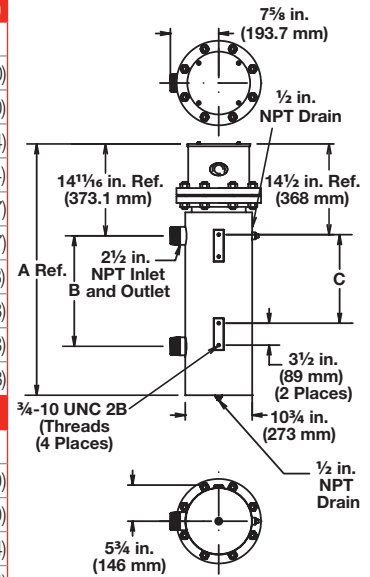
Description	Volts	kW	Ph	# Circ.	Part Number	Del.	Ship Wt. lbs (kg)	"A" Dim. in. (mm)	"B" Dim. in. (mm)	"C" Dim. in. (mm)
8 inch - 150 lb ANSI Flange (WATROD)										
8 W/in² ③ Steel Tank 18-Steel Elements (1.3 W/cm²)	240	12.5	3	1	CFRS743E12S	M	410 (186)	62 ¹ / ₄ (1580.0)	39 ³ / ₄ (1008.0)	36 ¹ / ₄ (919.0)
	480	12.5	3	1	CFRS743E13S	M	410 (186)	62 ¹ / ₄ (1580.0)	39 ³ / ₄ (1008.0)	36 ¹ / ₄ (919.0)
	240	16.5	3	1	CFRS751M12S	M	440 (200)	69 ⁷ / ₈ (1774.8)	47 ³ / ₈ (1203.3)	43 ⁷ / ₈ (1114.4)
	480	16.5	3	1	CFRS751M13S	M	440 (200)	69 ⁷ / ₈ (1774.8)	47 ³ / ₈ (1203.3)	43 ⁷ / ₈ (1114.4)
	240	20.0	3	2	CFRS762D12S	M	480 (218)	79 ³ / ₈ (2016.1)	56 ⁷ / ₈ (1444.6)	53 ³ / ₈ (1355.7)
	480	20.0	3	1	CFRS762D13S	M	480 (218)	79 ³ / ₈ (2016.1)	56 ⁷ / ₈ (1444.6)	53 ³ / ₈ (1355.7)
	240	24.0	3	2	CFRS770M12S	M	530 (241)	88 ³ / ₈ (2244.7)	65 ⁷ / ₈ (1673.2)	62 ³ / ₈ (1584.3)
	480	24.0	3	1	CFRS770M13S	M	530 (241)	88 ³ / ₈ (2244.7)	65 ⁷ / ₈ (1673.2)	62 ³ / ₈ (1584.3)
	240	27.0	3	2	CFRS779M12S	M	610 (277)	98 ³ / ₈ (2498.7)	75 ⁷ / ₈ (1927.2)	72 ³ / ₈ (1838.3)
480	27.0	3	1	CFRS779M13S	M	610 (277)	98 ³ / ₈ (2498.7)	75 ⁷ / ₈ (1927.2)	72 ³ / ₈ (1838.3)	
8 inch - 150 lb ANSI Flange (WATROD)										
8 W/in² ③ Steel Tank 24-Steel Elements (1.3 W/cm²)	240	17.0	3	1	CFRS743M12XS	M	425 (193)	62 ¹ / ₄ (1580.0)	39 ³ / ₄ (1008.0)	36 ¹ / ₄ (919.0)
	480	17.0	3	1	CFRS743M13XS	M	425 (193)	62 ¹ / ₄ (1580.0)	39 ³ / ₄ (1008.0)	36 ¹ / ₄ (919.0)
	240	22.0	3	2	CFRS751M12XS	M	457 (208)	69 ⁷ / ₈ (1774.8)	47 ³ / ₈ (1203.3)	43 ⁷ / ₈ (1114.4)
	480	22.0	3	1	CFRS751M13XS	M	457 (208)	69 ⁷ / ₈ (1774.8)	47 ³ / ₈ (1203.3)	43 ⁷ / ₈ (1114.4)
	240	27.0	3	2	CFRS762D12XS	M	461 (209)	79 ³ / ₈ (2016.1)	56 ⁷ / ₈ (1444.6)	53 ³ / ₈ (1355.7)
	480	27.0	3	1	CFRS762D13XS	M	461 (209)	79 ³ / ₈ (2016.1)	56 ⁷ / ₈ (1444.6)	53 ³ / ₈ (1355.7)
	240	32.0	3	2	CFRS770M12XS	M	554 (252)	88 ³ / ₈ (2244.7)	65 ⁷ / ₈ (1673.2)	62 ³ / ₈ (1584.3)
	480	32.0	3	1	CFRS770M13XS	M	554 (252)	88 ³ / ₈ (2244.7)	65 ⁷ / ₈ (1673.2)	62 ³ / ₈ (1584.3)
	240	36.0	3	2	CFRS779M12XS	M	636 (289)	98 ³ / ₈ (2498.7)	75 ⁷ / ₈ (1927.2)	72 ³ / ₈ (1838.3)
480	36.0	3	1	CFRS779M13XS	M	636 (289)	98 ³ / ₈ (2498.7)	75 ⁷ / ₈ (1927.2)	72 ³ / ₈ (1838.3)	
10 inch - 150 lb ANSI Flange (WATROD)										
8 W/in² ③ Steel Tank 27-Steel Elements (1.3 W/cm²)	240	30.0	3	3	CFSS762E12S	M	540 (245)	91 ¹ / ₄ (2316.0)	75 ¹ / ₂ (1916.0)	82 ¹ / ₄ (2088.0)
	480	30.0	3	1	CFSS762E13S	M	540 (245)	91 ¹ / ₄ (2316.0)	75 ¹ / ₂ (1916.0)	82 ¹ / ₄ (2088.0)
	240	35.0	3	3	CFSS770N12S	M	600 (273)	99 ¹ / ₈ (2517.8)	83 ³ / ₈ (2117.7)	89 ¹³ / ₁₆ (2281.2)
	480	35.0	3	1	CFSS770N13S	M	600 (273)	99 ¹ / ₈ (2517.8)	83 ³ / ₈ (2117.7)	89 ¹³ / ₁₆ (2281.2)
	240	40.0	3	3	CFSS778N12S	M	645 (293)	106 ⁵ / ₈ (2708.3)	90 ⁷ / ₈ (2308.2)	97 ⁵ / ₁₆ (2471.7)
	480	40.0	3	1	CFSS778N13S	M	645 (293)	106 ⁵ / ₈ (2708.3)	90 ⁷ / ₈ (2308.2)	97 ⁵ / ₁₆ (2471.7)

• M - Manufacturing lead times

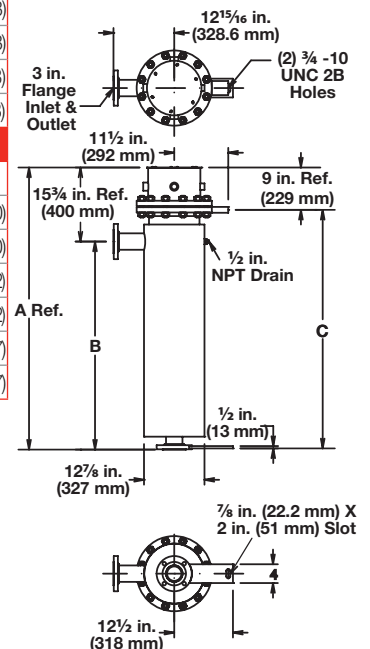
③ Wired for 3-phase operation only

■ Truck Shipment only

8 inch - 150 lb ANSI Flange



10 inch - 150 lb ANSI Flange



Circulation Heaters

WATROD and FIREBAR Circulation Heaters



Application: Bunker C, Asphalt and #6 Fuel Oil

- WATROD or FIREBAR elements
- Without thermostat
- General purpose enclosure

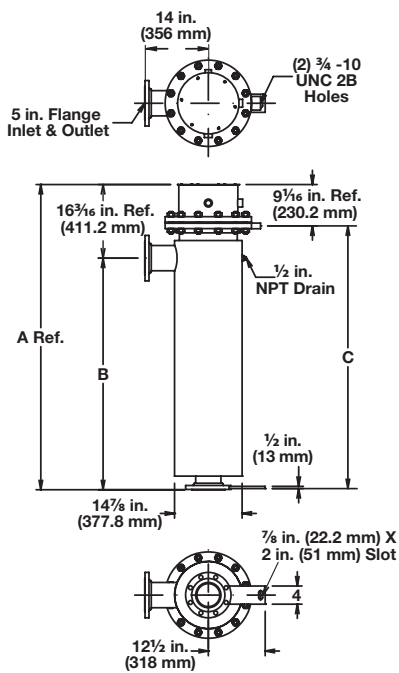
Description	Volts	kW	Ph	# Circ.	Part Number	Del.	Ship Wt. lbs (kg)	"A" Dim. in. (mm)	"B" Dim. in. (mm)	"C" Dim. in. (mm)
12 inch - 150 lb ANSI Flange (WATROD)										
8 W/in² ^③ Steel Tank 36-Steel Elements (1.3 W/cm²)	240	47.0	3	3	CFTS770L12S	M	700 (318)	99 (2515)	82 ⁷ / ₈ (2105.0)	89 ⁵ / ₈ (2277)
	480	47.0	3	2	CFTS770L13S	M	700 (318)	99 (2515)	82 ⁷ / ₈ (2105.0)	89 ⁵ / ₈ (2277)
	240	54.0	3	3	CFTS778L12S	M	750 (341)	106 ¹ / ₂ (2705)	90 ³ / ₈ (2295.5)	97 ¹ / ₈ (2467)
	480	54.0	3	2	CFTS778L13S	M	750 (341)	106 ¹ / ₂ (2705)	90 ³ / ₈ (2295.5)	97 ¹ / ₈ (2467)
14 inch - 150 lb ANSI Flange (WATROD)										
8 W/in² ^③ Steel Tank 45-Steel Elements (1.3 W/cm²)	240	60.0	3	3	CFWS770J12S	M	700 (318)	98 ¹ / ₄ (2496)	82 (2081)	88 ¹¹ / ₁₆ (2253)
	480	60.0	3	3	CFWS770J13S	M	700 (318)	98 ¹ / ₄ (2496)	82 (2081)	88 ¹¹ / ₁₆ (2253)
	240	67.0	3	5	CFWS778J12S	M	780 (354)	105 ³ / ₄ (2686)	89 ¹ / ₂ (2272)	96 ³ / ₁₆ (2443)
	480	67.0	3	3	CFWS778J13S	M	780 (354)	105 ³ / ₄ (2686)	89 ¹ / ₂ (2272)	96 ³ / ₁₆ (2443)

• M - Manufacturing lead times

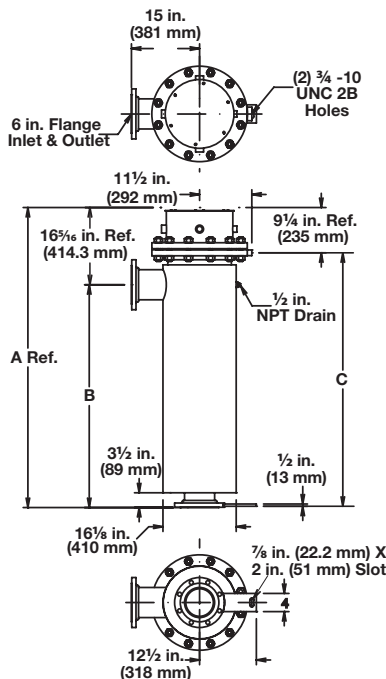
③ Wired for 3-phase operation only

■ Truck Shipment only

12 inch - 150 lb ANSI Flange



14 inch - 150 lb ANSI Flange



Circulation Heaters

WATROD and FIREBAR Circulation Heaters

Part Number

Stock Plug or ANSI Flange Part Number	Optional Terminal Enclosures	Optional Process Sensors	Sheath Limit Sensors

Stock Plug or ANSI Flange Part Number
<p>Note: Catalog part numbers include optional enclosures and process sensors. To order optional enclosures or sensors, substitute the appropriate suffix.</p>

Optional Terminal Enclosures	
S =	General purpose enclosure
W =	Moisture resistant enclosure
E =	Explosion resistant enclosure
C =	Moisture/explosion resistant enclosure
<p>Note: Catalog listings include either a general purpose enclosure or moisture/explosion resistant enclosure. Substitute enclosure options are noted.</p>	

Optional Process Sensors	
2 =	30 to 250°F, (-1 to 121°C) SPST
3 =	175 to 550°F, (79 to 288°C) SPST
4 =	40 to 110°F, (-1 to 43°C) DPST
5A =	60 to 250°F, (16 to 121°C) DPST (FIREBAR)
7A =	100 to 550°F, (38 to 288°C) DPST (FIREBAR)
J =	Type J process thermocouple in thermowell
K =	Type K process thermocouple in thermowell
<p>Note: Thermostat part numbers are shown in the <i>Thermostat Chart</i> on page 537.</p>	

Sheath Limit Sensors	
HJ =	Type J high-limit thermocouple, horizontal mount
TJ =	Type J high-limit thermocouple, vertical/housing at top
BJ =	Type J high-limit thermocouple, vertical/housing at bottom
HK =	Type K high-limit thermocouple, horizontal mount
TK =	Type K high-limit thermocouple, vertical/housing at top
BK =	Type K high-limit thermocouple, vertical/housing at bottom
<p>Note: Heater orientation is critical to accurate sensing of limit conditions. Use the appropriate code to indicate heater mounting orientation.</p>	

Example Part Number: CFONA18A10 S 5 HJ

Circulation Heaters

WATROD and FIREBAR Heaters

Booster Heaters

Booster heaters are ideal for circulating applications requiring less kilowatts, including engine preheating.

Booster heaters are made from a steel or brass 1 1/4 in. (32 mm) NPT screw plug heater and insulated pressure vessel with 1 in. (25 mm) FNPT inlet and outlet. This assembly also contains an integral thermostat.

Performance Capabilities

- Watt densities up to 60 W/in² (9.3 W/cm²)
- Wattages up to 3 kilowatts
- Voltages up to 480VAC
- Steel sheath temperatures up to 750°F (400°C)
- Alloy 800 sheath temperatures up to 350°F (175°C)

Features and Benefits

Dual voltages

- Simplifies stocking and wiring

Carbon steel, standard pipe wall vessel

- Assures compatibility with many applications

One inch thick (25 mm) fiberglass thermal insulation rated to 750°F (400°C)

- Reduces heat loss

Steel jacket (shroud)

- Provides a fully welded and painted shroud to protect thermal insulation

Inlet and outlet nozzle connections

- Includes threaded FNPT connections to meet OEM standards

General purpose terminal enclosures

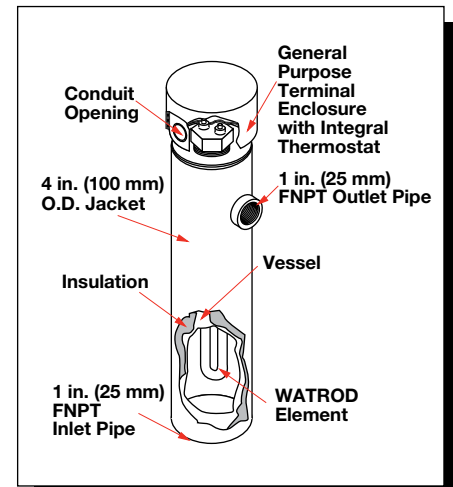
- Protects terminals and thermostat

Integral thermostat controls process temperatures from: 60 to 160°F (15 to 70°C) on alloy 800 sheath elements and 175 to 550°F (80 to 290°C) on steel sheath elements

- Minimizes the amount of time that the heater operates while the engine is running

Typical Applications

- Stand by generators
- Peak power trimming generators
- Mobile generator sets
- Earth moving equipment
- Water heaters
- Lightweight oils



Circulation Heaters

WATROD and FIREBAR Heaters

Booster Heaters

Options

Terminal Enclosure

General purpose terminal enclosures with integral thermostats are supplied on all Watlow booster heaters. Optional moisture resistant terminal enclosures protect wiring and thermostat from liquid contaminants. To order, request the **moisture resistant enclosure option**.

For explosion resistant and explosion/moisture resistant terminal enclosures, request the **explosion/moisture resistant option**.

Description	kW	Phase	Part Number 120/240VAC	Est. Ship. Wt. lbs (kg)
-------------	----	-------	---------------------------	----------------------------

Application: Aqueous Solutions

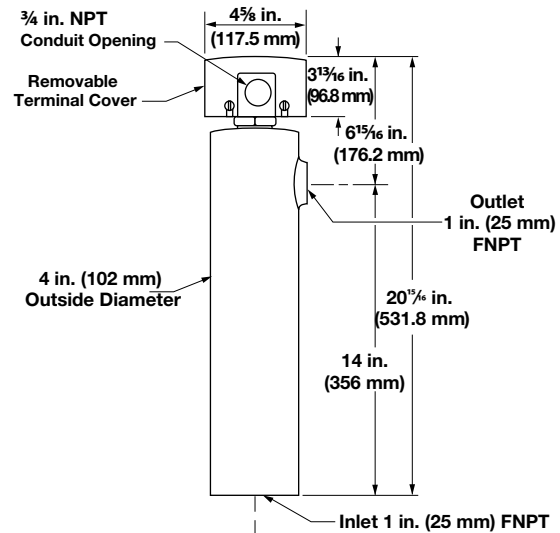
60 W/in ² Brass Plug	1.50	1	CBEN8G6	18 (8.2)
2-Alloy 800 (9.3 W/cm ²)	2.00	1	CBEN10F6	18 (8.2)
	2.50	1	CBEN12F6	18 (8.2)
	3.00	1	CBEN15A6X	18 (8.2)

Application: Lightweight Oils

23 W/in ² Steel Plug	0.50	1	CBES7G6	18 (8.2)
2-Steel (3.6 W/cm ²)	0.75	1	CBES10B6	18 (8.2)
	1.00	1	CBES12P6	18 (8.2)

- M - Manufacturing lead times

For optional housing adders, use circulation heater adders.



Circulation Heaters

WATROD and FIREBAR Heaters

Engine Preheaters

Watlow engine preheaters help maintain a desired minimum engine temperature to make starting fast and easy. They also reduce engine wear caused by cold engine starting.

Engine preheaters mount conveniently on an engine or rail. The internal thermostat constantly adjusts to ambient temperature changes to keep engine coolant warm at all times.

An internal tank temperature sensor protects Watlow engine preheaters from dry-fire conditions caused by low coolant levels or blocked flow.

Installation is easy with just two mounting bolts and inlet and outlet hose connections.

Performance Capabilities

- Watt densities from 45 to 90 W/in² (7 to 14 W/cm²)
- Wattages up to 6 kilowatts
- UL[®] and CSA component recognition up to 480VAC and 600VAC respectively
- Thermostatically controlled from 60 to 160°F (15 to 70°C)
- Alloy 800 sheath temperatures up to 1600°F (870°C)

Features and Benefits

Alloy 800 sheath

- Minimizes the risk of premature failure in the event of a dry-fire condition

Integral, prewired adjustable thermostat mounted in a general purpose terminal enclosure

- Provides a ready to install unit

Easy installation with standard 1 in. (25 mm) diameter beaded inlet and outlet nozzles

- Provides rubber hose connections eliminating the need for threaded fittings and adapters

120/240VAC or 240/480VAC dual voltages

- Makes field wiring flexible
- Minimizes stocking multiple voltages

Mounting bracket

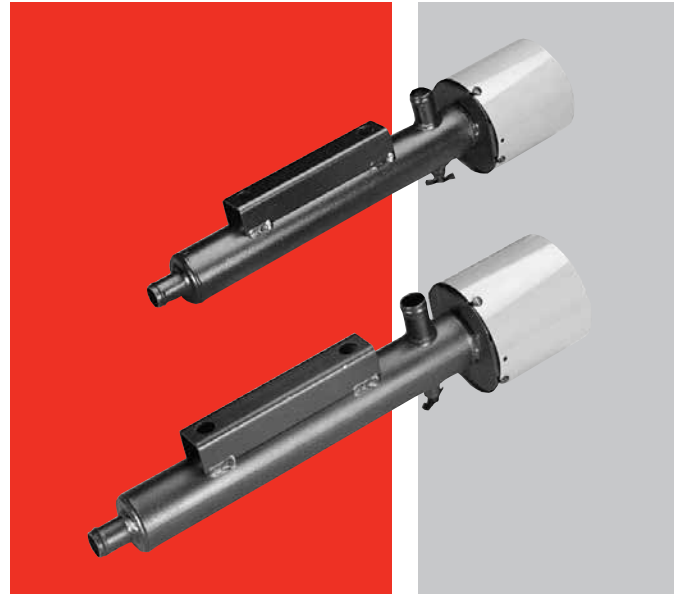
- Isolates harmful engine vibration

Heavy-duty welded carbon steel tank

- Resists corrosion and extends life

Optional oil pressure interconnect switch

- Disrupts power during engine operation



Integral check valve

- Assures proper coolant flow and correct thermostat operation. Check valve will not interfere with adequate thermo-siphoning
- **UL[®] and CSA component**
Recognition under file numbers E52951 and 31388 respectively

Typical Applications

- Stand by generators
- Primary power generators
- Fire pump engines

Options

Terminal Enclosure

The following terminal enclosures are available:

- Standard, general purpose
- Moisture resistant
- Explosion resistant Class 1, Division 1 and 2, Groups B, C and D.

Circulation Heaters

WATROD and FIREBAR Heaters

Engine Preheaters

Application Hints

- Mount engine preheaters in horizontal position only (as shown in Figures 1, 2 and 3). Contact your Watlow representative if vertical mounting is unavoidable.
- Mount the heater near or below the lowest point on the engine block. Keep outlet nozzle pointed up, as indicated on the tank.
- Estimate kilowatt requirements with the following formula. First determine the engine displacement, then multiply:

English
Cubic inches X 3 = estimated wattage
Metric
Liters X 183 = estimated wattage

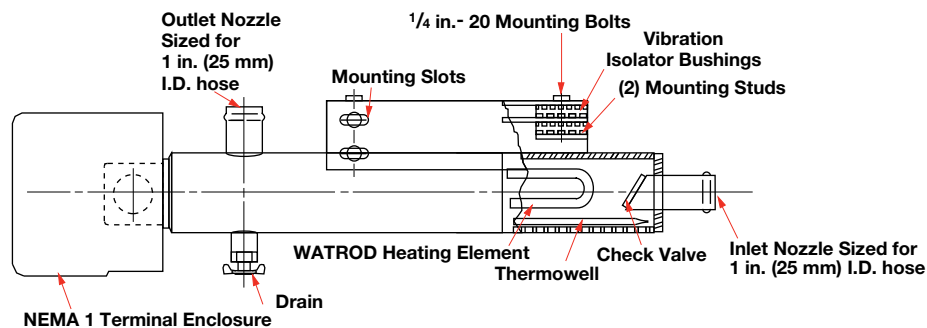
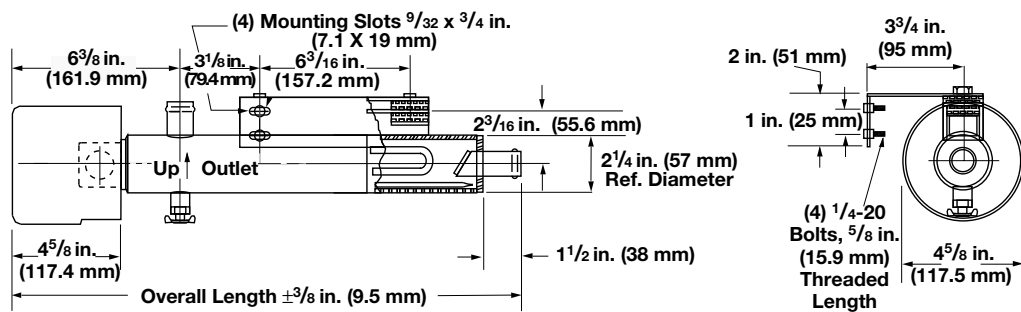


Figure 1



kW	Overall Length in. (mm)	Part Number			Est. Ship.	
		120/240VAC 1-Phase	208VAC 1-Phase	240/480VAC 1-Phase	lbs	Wt. (kg)

Application: Ethylene Glycol/Engine Coolant

1.13	20 ⁷ / ₈ (530.2)		CPBPL2S12 ^①		12 (6)
1.50	20 ⁷ / ₈ (530.2)	CPBPB6S12	CPBPB2S12 ^①		12 (6)
1.69	20 ⁷ / ₈ (530.2)		CPBPM2S12 ^①		12 (6)
1.88	20 ⁷ / ₈ (530.2)		CPBPN2S12 ^①		12 (6)
2.00	20 ⁷ / ₈ (530.2)	CPBPC6S12			12 (6)
2.25	20 ⁷ / ₈ (530.2)	CPBPD6S12			12 (6)
2.25	26 ¹¹ / ₁₆ (677.9)		CPBPD2S12 ^①		15 (7)
2.50	20 ⁷ / ₈ (530.2)	CPBPE6S12			12 (6)
3.00	26 ¹¹ / ₁₆ (677.9)		CPBPF2S12 ^①	CPBPF7S12	15 (7)
3.75	26 ¹¹ / ₁₆ (677.9)		CPBPG2S12 ^①		15 (7)
4.00	26 ¹¹ / ₁₆ (677.9)			CPBPH7S12	15 (7)
5.00	26 ¹¹ / ₁₆ (677.9)			CPBPJ7S12 ^①	15 (7)

RAPID SHIP

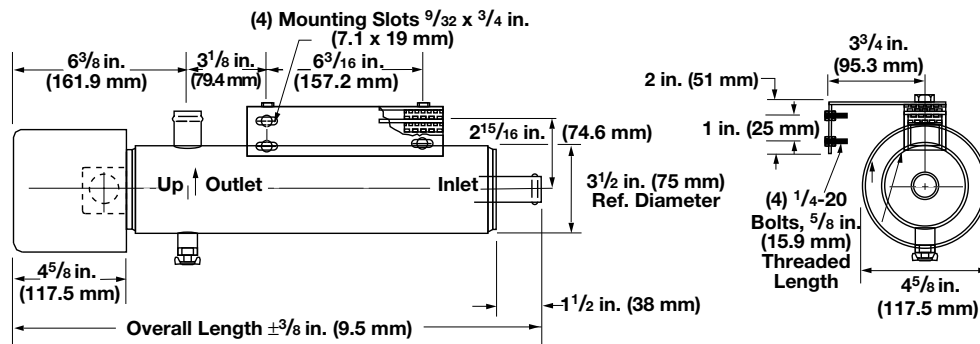
- Next day shipment up to 2 pieces
- ① - Manufacturing lead times

Circulation Heaters

WATROD and FIREBAR Heaters

Engine Preheaters

Figure 2



kW	Overall Length in. (mm)	Part Number		Est. Ship. Wt. lbs (kg)
		277VAC 1-Phase	480VAC 3-Phase	

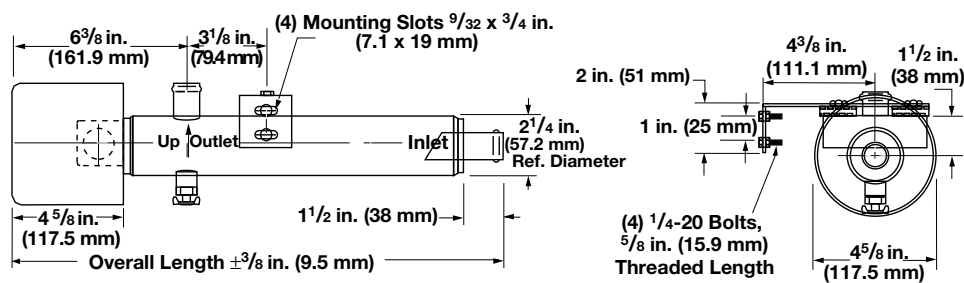
Application: Ethylene Glycol/Engine Coolant

1.50	20 ⁷ / ₈ (530.2)	CPCPB4S12 ^①	CPCPB13S12 ^①	12 (6)
2.00	20 ⁷ / ₈ (530.2)	CPCPC4S12 ^①	CPCPC13S12 ^①	12 (6)
2.50	20 ⁷ / ₈ (530.2)	CPCPE4S12 ^①	CPCPE13S12 ^①	12 (6)
3.75	20 ⁷ / ₈ (530.2)	CPCPG4S12 ^①	CPCPG13S12 ^①	12 (6)
4.00	20 ⁷ / ₈ (530.2)	CPCPH4S12 ^①	CPCPH13S12	12 (6)
5.00	20 ⁷ / ₈ (530.2)	CPCPJ4S12 ^①	CPCPJ13S12	12 (6)

RAPID SHIP

- Next day shipment up to 2 pieces
- ① - Manufacturing lead times

Figure 3

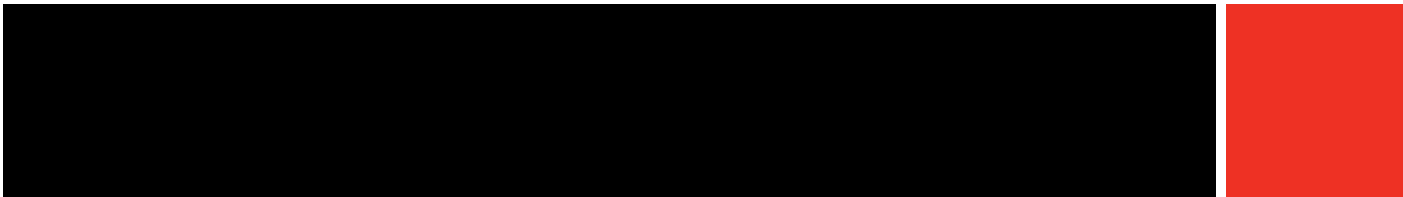


kW	Overall Length in. (mm)	Part Number		Est. Ship. Wt. lbs (kg)
		120/240VAC 1-Phase	208VAC 1-Phase	

Application: Ethylene Glycol/Engine Coolant

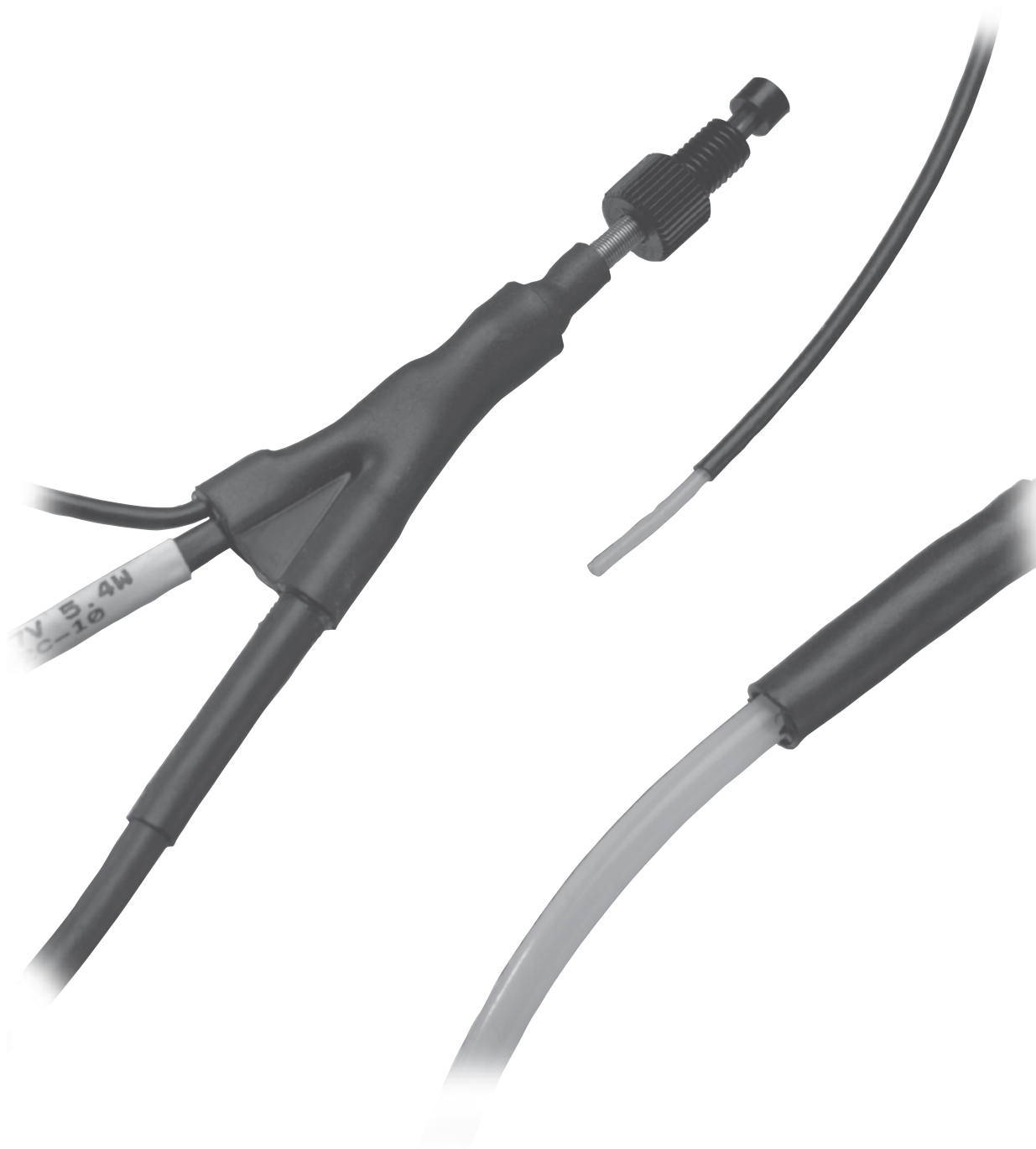
0.75	15 ⁵ / ₈ (396.9)		CPBPK2S12	9 (4)
1.00	15 ⁵ / ₈ (396.9)	CPBPA6S12		9 (4)

- M - Manufacturing lead times



Fluid Delivery Heaters

Fluid Delivery Heaters	Sheath Materials	Max. Operating Temperatures		Typical Max. Watt Densities		Page
		°F	°C	W/in ²	W/cm ²	
FREEFLEX®	Polymeric	212	100	10	1.5	385
Syringe	Polycarbonate laminate	185	85	2	0.3	388



Fluid Delivery Heaters



Fluid Delivery Heaters

EXTENDED
CAPABILITY

Extended Capabilities For FREEFLEX® Heaters

Watlow's miniature heated polymeric tubing assemblies provide a flexible heat-up and transport system for moving fluids within diameters as small as $\frac{1}{32}$ in. (0.8 mm). The FREEFLEX® heater heats fluids up to 212°F (100°C) and maintains temperature during transfer from a reservoir to a point of use. In some applications, the tubing can actually serve as the reservoir for limited volumes of fluid, helping to reduce start-up times. For higher temperatures, contact your Watlow representative.

Watlow's innovative design places the heating element and sensor directly in contact with the perimeter of the tubing to produce efficient, responsive heating and temperature control of the tube contents. The element is evenly wound to ensure reliable, close contact for uniform heating along a portion or the entire length of the line. A flexible, durable jacket covers the wound element to let the tubing flex and move in a dynamic system. This allows for fluid delivery to multiple locations from a single supply source. In stationary applications, the FREEFLEX heated tubing is conveniently routed through available space or around other system components. This saves space and provides an uncomplicated retrofit in existing systems.

The FREEFLEX heater's efficient heating element design can incorporate an optional thermocouple, thermistor or resistance temperature detector (RTD) temperature sensor into the thermal package. Users can select leads to exit from one or both ends of the assembly. Typical standard PTFE tubing is available in $\frac{1}{32}$, $\frac{1}{16}$, $\frac{1}{8}$ or $\frac{3}{16}$ in. (0.8, 1.6, 3.2, 4.8 mm) inside diameters. Contact your Watlow representative for other sizes and materials.

Features and Benefits

Flexible heat-up and transport system

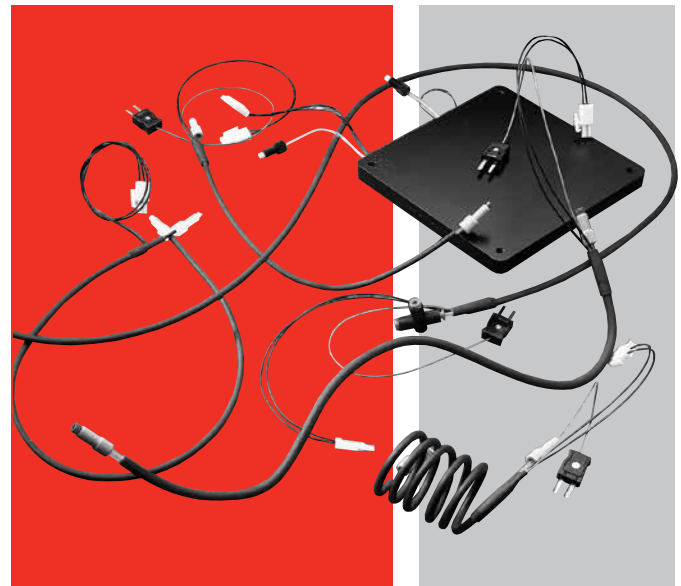
- Eliminates the need for heated reservoir systems in many applications

Direct contact between the heating element and tubing

- Provides fast, efficient, highly responsive heating

Available in three configurations

- FREEFLEX design allows tubing to flex, coil or bend around system components, enabling convenient retrofits
- Pre-formed design allows a longer tube length in a smaller volume
- Molded design provides a compact heating assembly for easy installation



Integral sensors

- Maintain close control of heater and fluid temperatures

Low voltage design

- Ensures safety

Miniature sizes as small as $\frac{1}{32}$ in. (0.8 mm) inside diameter

- Heats and transports fluids within tiny spaces

Convenient retrofit

- Allows for routing flexible tubing around system components and using existing control system

UL® recognition

- Available on qualified designs by request

Typical Applications

- **Medical:** automated clinical analyzers, tissue processing equipment
- **Analytical:** sample preheating for LC and HPLC systems, breathalyzers
- **Semiconductor processing:** wafer drying equipment, DI water heating
- **Printing:** ink jet printers, rapid prototyping systems, photo lithography
- **General process:** wax/paraffin processing and non-combustible gas heating
- **Water purification systems**
- **Precision cleaning equipment**
- **Aerospace**
- **Military**

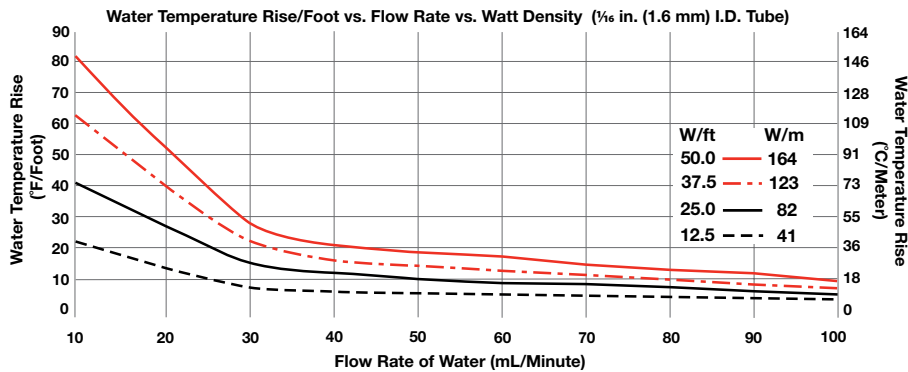
Fluid Delivery Heaters

**EXTENDED
CAPABILITY**

Extended Capabilities For FREEFLEX Heaters

Technical Data

Water Temperature Rise/Length Versus Flow Rate Versus Watt Density



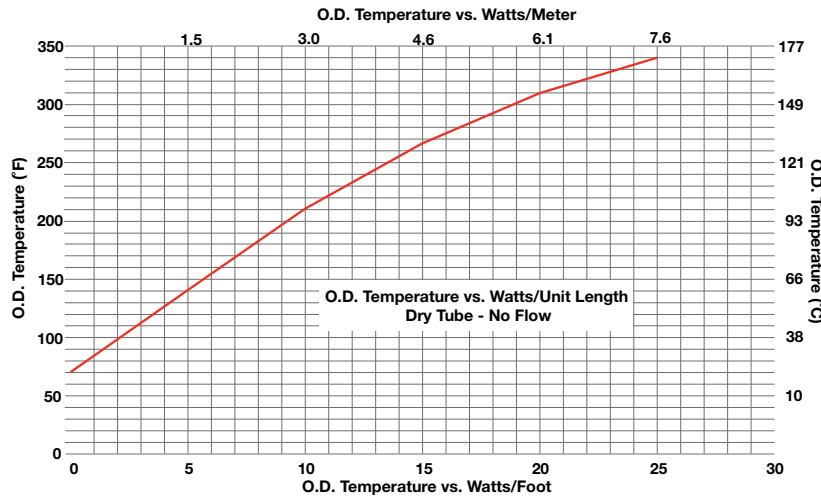
Water Temperature Rise °F/Foot

Flow Rate (mL/minute)	10	30	50	100
W/ft 50.0	82	29	19	10
37.5	64	22	14	7
25.0	41	16	10	5
12.5	22	8	5	3

Water Temperature Rise °C/Meter

Flow Rate (mL/minute)	10	30	50	100
W/m 164	149	52	35	18
123	116	40	26	13
82	75	29	18	9
41	40	15	9	5

FREEFLEX Outside Diameter Temperature Versus Watts/Length



W/ft	W/m	O.D. Temperature °C	(°F) (Ambient)
0	0	70	(21)
5	1.5	140	(60)
10	3.0	210	(99)
15	4.6	265	(129)
20	6.1	310	(154)
25	7.6	340	(171)

Fluid Delivery Heaters

Extended Capabilities For FREEFLEX Heaters

Typical Application Requirements

When requesting a quote please specify:

- **Fluid Type**
 - **Inlet Temperature**
 - **Outlet Temperature**
 - **Flow Rate**
 - **Voltage** - Typically less than 36V
 - **Watts/ft** - See chart on previous page for typical values
 - **Maximum Allowable Outside Surface Temperature**
 - **Tube Size**
 - 1/32 in. (0.8 mm) I.D. x 1/16 in. (1.6 mm) O.D.
 - 1/16 in. (1.6 mm) I.D. x 1/8 in. (3.2 mm) O.D.
 - 1/8 in. (3.2 mm) I.D. x 3/16 in. (4.8 mm) O.D.
 - 3/16 in. (4.8 mm) I.D. x 1/4 in. (6 mm) O.D.
 - Other (specify size)
 - **Tube Material**
 - PTFE standard
 - Silicone rubber
 - Others upon request
 - **Tube Length** - 12 to 120 in. (305 to 3048 mm) typical
 - Total
 - Heated
 - Unheated (specify)
 - **Tube Fittings**
 - No fittings (1 in. [25 mm] bare tubing each end)
 - Other (specify)
 - **Tube Flexing**
 - Static (to route around components in system)
 - Dynamic (subject to more continuous flexing)
 - Occasional, frequent or continuous
- Note:** Min. recommended flexing radius
- 1/32 in. (0.8 mm) I.D. x 1/16 in. (1.6 mm) O.D. PTFE 1 in. (25 mm)
 - 1/16 in. (1.6 mm) I.D. x 1/8 in. (3.2 mm) O.D. PTFE 1 1/2 in. (38 mm)
 - 1/8 in. (3.2 mm) I.D. x 3/16 in. (4.8 mm) O.D. PTFE 2 in. (51 mm)
 - 3/16 in. (4.8 mm) I.D. x 1/4 in. (6 mm) O.D. PTFE 3 in. (76 mm)
- **Heater Leads**
 - One at each end
 - Both at one end
 - Standard lead insulation (UL® Style 1180 CSA white PTFE)
 - Other insulation (specify)
- Heater Lead Length**
- Standard 12 in. (305 mm) w/customer end stripped/tinned 1/2 in. (13 mm)
 - Other (specify)

Heater Lead Exit Direction

- Inboard/outboard

Temperature Sensor

- Thermocouple (#30 AWG PFA - Type J)
- Thermistor (specify) 10KΩ at 72°F (25°C) standard
- Other temperature sensors size/types (specify)
- Sense heater element or tube temperature

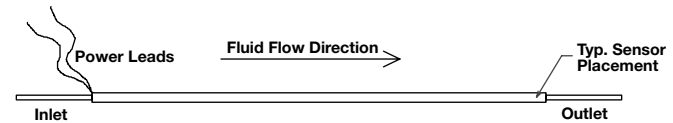
Sensor Lead Exit Direction

- Inboard/outboard

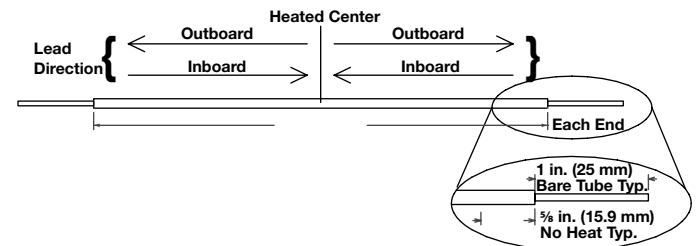
Temperature Sensor Lead Length

- 12 in. (305 mm)
- Other (specify)

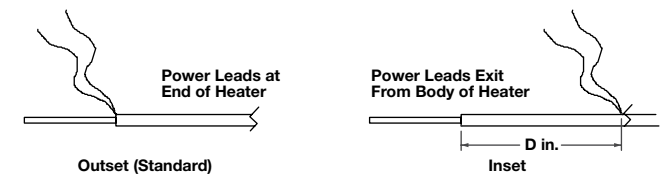
Typical FREEFLEX Layout



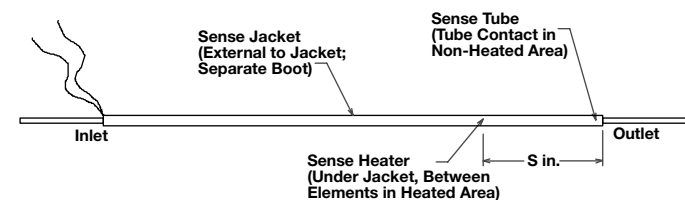
Lead Orientation



Lead Location



Sensor Location/Mounting Description



Extended Capabilities for Syringe Heaters

The Watlow syringe heater was developed to match the unique needs of medical injection applications. It produces consistent results by reducing temperature and viscosity variations. Fluid and drug delivery that maintain precise liquid temperatures and reduce fluid viscosity maximize patient comfort and reduce risk. Body temperature injections are more easily introduced, particularly for patients in a frail or distressed condition.

The Watlow syringe heater is available in two configuration types with an optional, repeatable temperature sensing controller. The silicone/wire configuration accommodates varying syringe size needs. The translucent, high-tech laminate construction of the polycarbonate/foil design enables fluid levels and air bubbles to be easily viewed and monitored. Both heater forms are designed to “snap” on to the syringe with one hand and hold firmly during a procedure.

An overmold design houses the optional electronic controller and/or temperature sensor to allow trouble-free servicing and extend heater life. The overmold can be modified and color matched for seamless, integrated appearance.

Features and Benefits

Long operational life

- Improves system reliability
- Reduces equipment down time and minimizes the need to reschedule procedures

Two heater configurations provide flexibility and adaptability

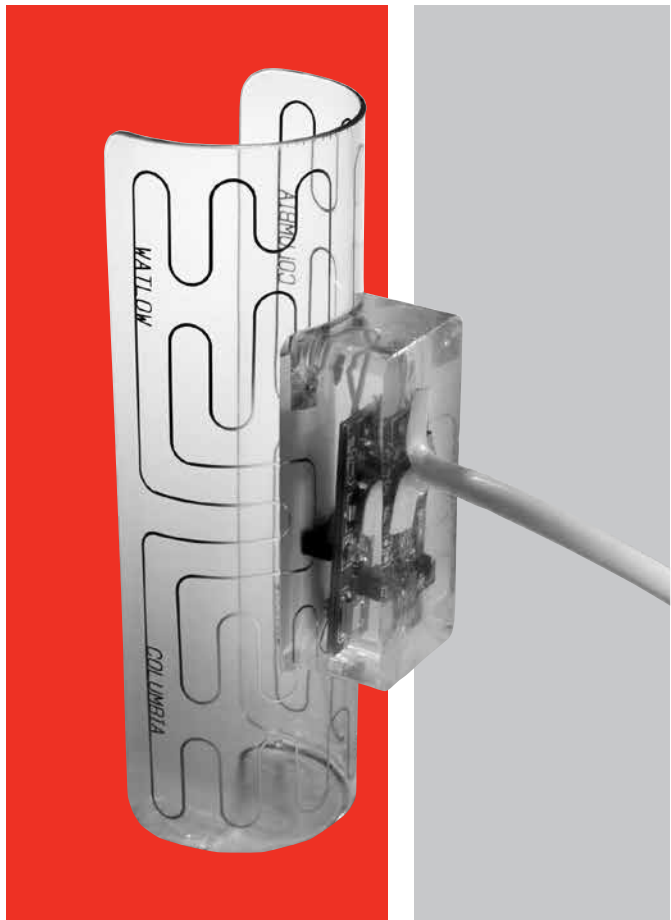
- Silicon wire enables maximum flexibility to accommodate various syringe sizes
- Polycarbonate/foil provides high tech appearance and functionality

Customizable to most OEM requirements

- Allows over-mold to be modified and color matched for a seamless, integrated appearance

Optional precise, repeatable temperature sensing control

- Maximizes patient comfort
- Minimizes patient risk
- Increases the consistency of test results by eliminating temperature and viscosity variations
- Carries a longer product life than bimetal thermostats



Specifications

Silicone/Wire and Polycarbonate/Foil

- Length: 5 in. (127 mm) max.
- Formed heater diameter: formed to fit syringe. Typical diameter is 2 in. (50 mm) to 6 in. (150 mm)*
- Voltage: dependent on application, over 48V may impact agency approvals
- Control accuracy: 5.4°F ($\pm 3^{\circ}\text{C}$)
- Max. operating surface temperature: 185°F (85°C)
- Approximate control pod dimensions: 1 x 1 x 2.75 in. (25 x 25 x 70 mm)*
- Cord pull strength: Up to 89 N (20 lb_F)*

* Dependent on design requirements.

Air Heaters

Air Heaters	Sheath Materials	Max. Operating Temperatures		Typical Max. Watt Densities		Page
		°F	°C	W/in ²	W/cm ²	
Duct Heaters						
LDH SERIES and D SERIES	Alloy 840	1200	650	30	4.7	391
MDH SERIES	Alloy 840	1200	650	26	4.0	405
Finned						
375 Fined Strip	Aluminized steel	1100	595	33	5.1	409
FINBAR™ Single-Ended	304 stainless steel	1200	650	50	7.7	415
FIREROD® Cartridge	Alloy 800	Application Specific		100	15.5	416
Enclosure Heaters						
WATROD™	Alloy 840	390	200	15	2.3	417
Silicone Rubber	Fiberglass reinforced silicone rubber	500	260	5	0.8	419





Air Heaters

Duct Heaters

LDH SERIES and D SERIES

Constructed of sturdy 0.430 in. (11 mm) diameter WATROD™ heating elements mounted to a 1/4 in. (6 mm) thick steel flange, duct heaters are easily adapted to many non-pressurized air-heating systems.

They are easily installed in applications requiring a wide range of temperature versus air flow combinations.

The modular duct heater offers increased reliability. The individual modules are removable through the housing of the assembly, which eliminates the need to pull the complete heater from the duct work. This reduces downtime costs because the heating elements can be replaced individually. Performance improvements include quicker response time and reduced infiltration from the air stream being heated into the electrical enclosure.

Watlow® duct heaters offer advantages over gas or oil fired and open coil electric units with:

- Installation flexibility—no flues or fuel lines
- 100 percent energy efficient—no energy loss up the flue
- Universal availability of electricity
- Resistance coil in sheath is protected from corrosive environments

Performance Capabilities

- Watt densities up to 40 W/in² (6.2 W/cm²)
- Recommended process temperatures from -20 to 1200°F (-29 to 650°C)
- Catalog P/N wattages up to 225kW
- Voltages up to 600VAC

Features and Benefits

Long life alloy 840 sheath

- Resists corrosion/oxidation while protecting resistance coils against contamination

MgO insulation filled elements compacted to rock hard density

- Maximizes dielectric strength, heat transfer and life

Field replaceable heating elements

- Permits easy service and reduces downtime. Element change-out is made simple by a single screw clamp (D SERIES only)

3 1/2 in. (90 mm) thick mineral insulation

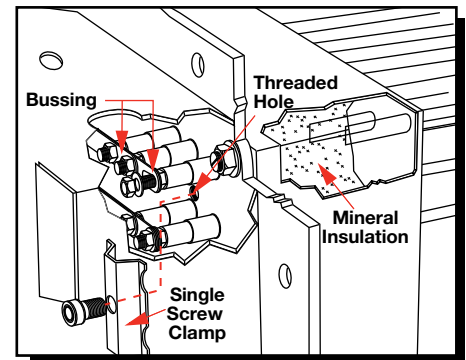
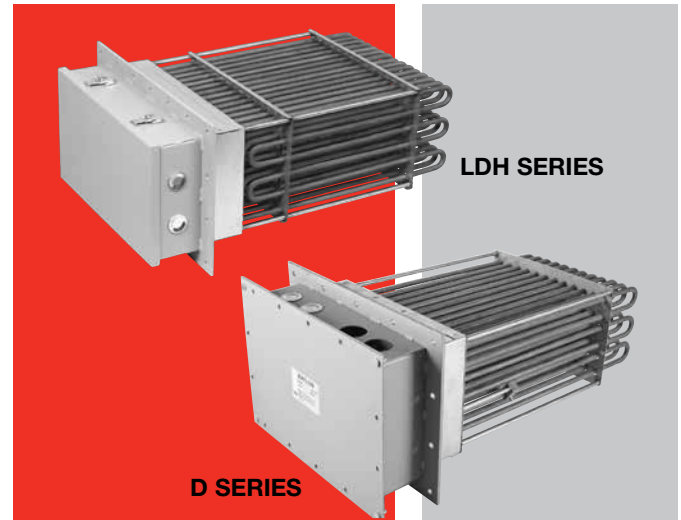
- Keeps wiring cooler and reduces heat loss

Silicone resin seals rated to 221°F (105°C)

- Protects elements against moisture and other contaminants

General purpose terminal enclosure

- Offers easy access to wiring



1/4 in. (6 mm) inside diameter thermowell

- Accepts an optional Type J or K thermocouple for accurate sheath temperature sensing (D SERIES only)

Rigid stainless steel supports

- Prevents element sagging or deformation in various mounting positions

1/4 in. (6 mm) thick steel flange with 3/8 in. (9.5 mm) diameter mounting holes

- Easily bolts to the duct wall

WATROD hairpins are repressed (recompacted) after bending to assure MgO density

- Eliminates hot spots and electrical insulation voids

Stock heaters feature from 3 to 60 elements

- Meets a wide variety of kilowatt demands

One or three phase voltages

- Meets local power supplies

Maximum 48 amperes per circuit

- Complies with National Electrical Code (NEC)

Duct heaters with general purpose enclosures meet UL® and CSA component recognition to 480 and 600VAC maximum respectively—UL® and CSA file numbers are E52951 and 31388

Air Heaters

Duct Heaters

LDH SERIES and D SERIES

Typical Applications

- Drying ovens
- Autoclaves
- Furnaces
- Load banks
- Heat treating
- Reheating
- HVAC
- Paint drying

Choosing a Duct Heater

The English and metric graphs, shown on the following pages will help you to select the correct duct heater. These graphs include: *Watt Density vs. Air Temperature/Velocity*, *Watt Density vs. Sheath Temperature and Pressure Drop vs. Air Velocity*.

These graphs, with the quick formulas on this page, along with information specific to your application, will determine the correct duct heater specifications. However, if engineering assistance is needed, contact your Watlow representative.

Required Application Information

- Desired outlet air temperature
- Inlet air temperature
- Delta T—the temperature difference between inlet and desired outlet temperature
- Air volume (CFM/CMM) measured at both inlet temperature and pressure
- Air velocity in feet per minute (FPM); meters per minute (MPM) which equals:

English	
$FPM = \frac{CFM \text{ measured at standard conditions}}{\text{Duct cross section area at heater in ft}^2}$	
Metric	
$MPM = \frac{CMM \text{ measured at normal conditions}}{\text{Duct cross section area at heater in m}^2}$	

- Minimum duct heater wattage (kW). This can be determined by:

English	
$kW = \frac{CFM \times \text{Delta T } (^{\circ}F) \times 1.1 \text{ (safety factor)}}{3000}$	
Metric	
$kW = \frac{CMM \times \text{Delta T } (^{\circ}C) \times 1.1 \text{ (safety factor)}}{48}$	

Note: The duct heater, or combination of duct heaters, used for the process should be equal to or exceed the minimum wattage calculation.

Air Heaters

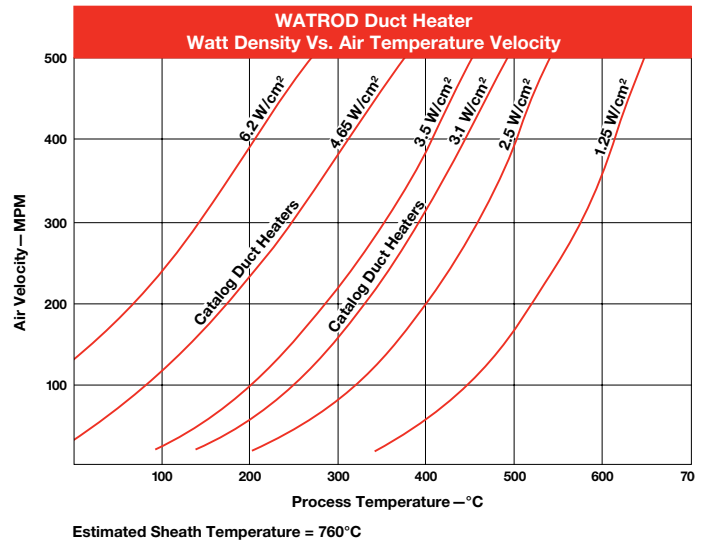
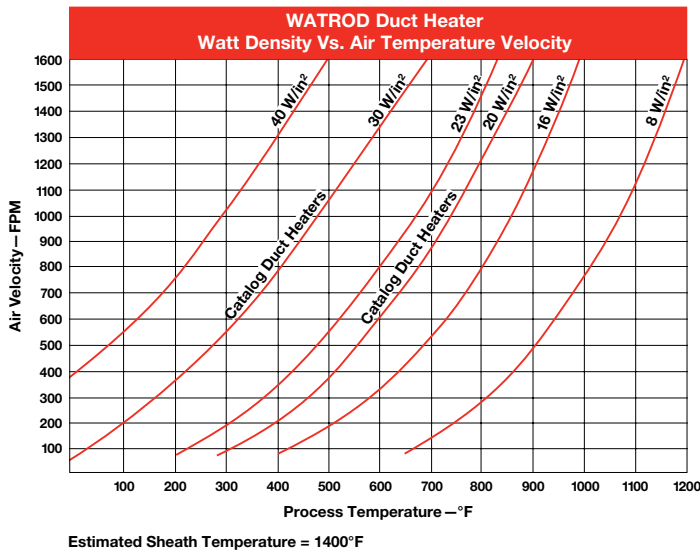
Duct Heaters

LDH SERIES and D SERIES

Watt Density vs. Air Temperature/Velocity

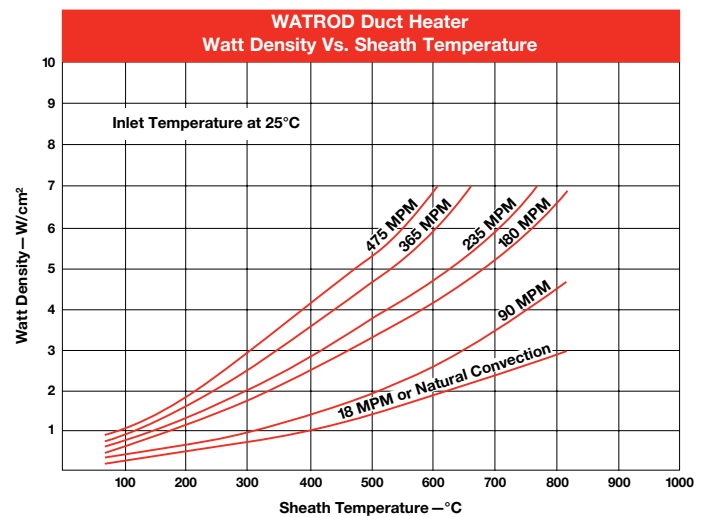
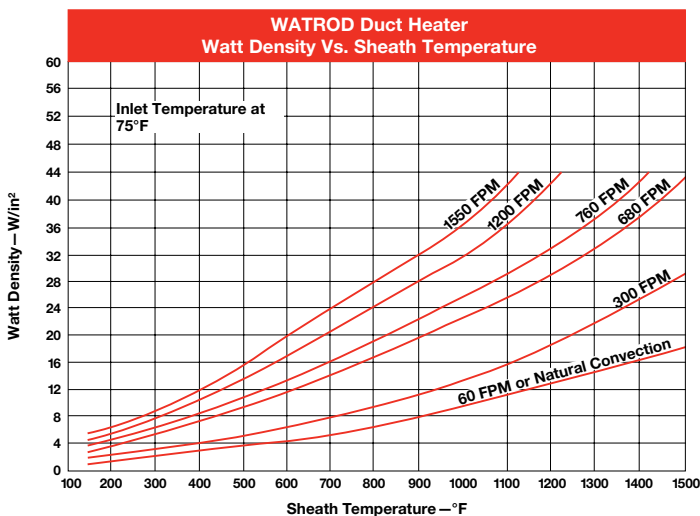
To decide watt density requirements, first determine the desired outlet air temperature and velocity in feet per minute. Then, follow the lines on the graph for velocity and process temperature to the watt density

curve's intersecting point. This shows the recommended watt density based on a maximum sheath temperature of 1400°F (760°C). **For longer heater life, lower watt densities should be chosen.**



Watt Density vs. Sheath Temperature

The *Watt Density vs. Sheath Temperature* graph shows the air velocity (FPM or MPM) required to operate a WATROD duct heater at specific watt densities or sheath temperatures. Also depicted is the appropriate watt density vs. sheath temperature at a specified air flow.



Air Heaters

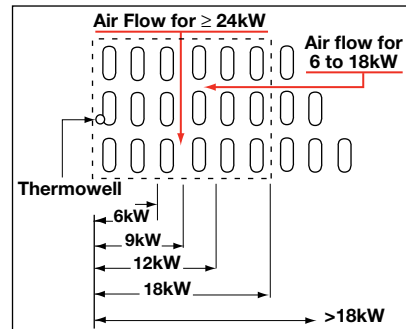
Duct Heaters

LDH SERIES and D SERIES

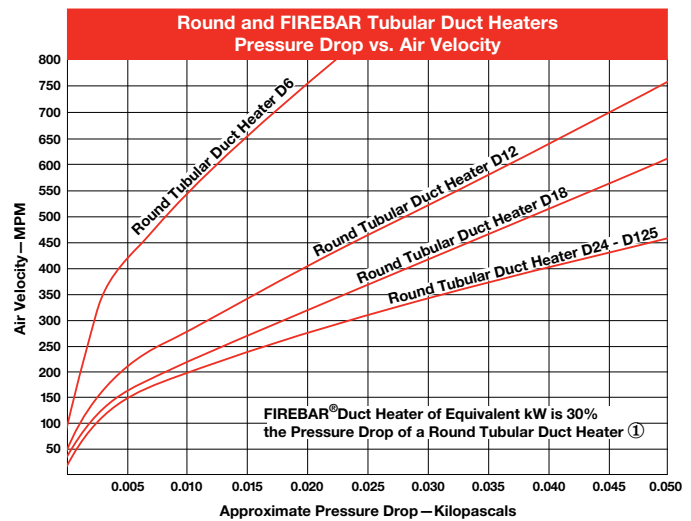
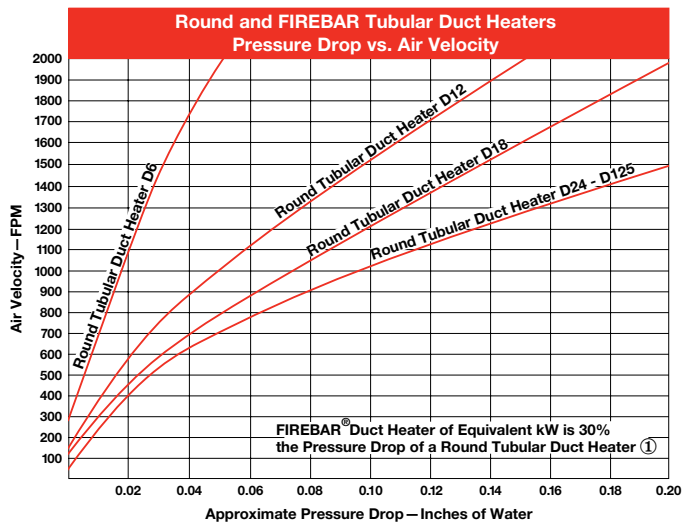
Pressure Drop vs. Air Velocity

The rate at which pressure drops through the duct heater is critical for properly sizing blowers and pumps. *The Pressure Drop vs. Air Velocity* graph gives recommended maximum velocities in feet per minute and meters per minute according to the air velocity and duct heater size.

To determine the pressure drop through the duct heater, follow the air velocity (FPM or MPM) over to the appropriate curve, which identifies the duct heater size. Then, take the intersecting point down to the approximate pressure drop value.



Note: Viewing from the element ends—the recommended air flow direction through element bundle changes at >18kW.



① FIREBAR® flat tubular element duct heaters are available as extended capabilities to enhance your application output or performance. Although duct heaters are not normally constructed with FIREBAR elements, the pressure drop reduction using FIREBAR as a distinct advantage is shown above.

Options

Wattages/Voltages

To meet specific application needs, voltage and wattage combinations outside stock product parameters are available.

For more information about this option, contact your Watlow representative.

Air Heaters

Duct Heaters

LDH SERIES and D SERIES

Options (Continued)

Terminal Enclosures

In addition to the standard, general purpose terminal enclosure, Watlow offers a moisture resistant optional terminal enclosure to meet specific application requirements.

Thermocouples

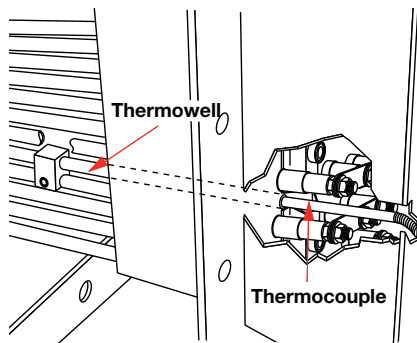
Type J or **K** thermocouples, inserted in the thermowell, accurately sense element sheath temperature for over-temperature conditions.

To sense process temperature, the sensing element should be located downstream from the duct heater. This will eliminate incorrect sensing caused by radiant heat.

Thermocouples are supplied with 120 in. (3050 mm) leads, longer lead lengths are available (this applies to “D” SERIES only). Unless otherwise specified, thermocouples are supplied with temperature ranges detailed on the *Thermocouple Types* chart.

Using a thermocouple requires an appropriate temperature and power controller. These must be purchased separately. Watlow offers a wide variety of temperature and power controllers to meet virtually all applications. Temperature controllers can be configured to accept process variable inputs, too. Contact your Watlow representative for details.

To order a thermocouple, add the appropriate suffix letter to the duct heater’s base part number, as indicated on the *Ordering Information* chart on page 404.



Duct heater thermowell holds thermocouple for sensing sheath temperature.

Thermocouple Types

ASTM Type	Conductor Characteristics		Recommended ^① Temperature Range	
	Positive	Negative	°F	(°C)
J	Iron (Magnetic)	Constantan (Non-magnetic)	0 to 1000	(-20 to 540)
K	Chromel® (Non-magnetic)	Alumel® (Magnetic)	0 to 2000	(-20 to 1100)

① **Type J** and **Type K** thermocouples are rated 32 to 1382°F and 32 to 2282°F (0-750°C and 0-1250°C), respectively. Watlow does not recommend exceeding temperature ranges shown on this chart for the tubular product line.

Application Hints

- Mount duct heaters horizontally to lower enclosure temperatures and promote unit life.
- Orient heating elements as per the air flow illustration on page 394.
- Promote heater life by keeping sheath temperature below the 1400°F (760°C) maximum.
- Measure process temperature in the outlet stream, away from the heater.
- Maintain wiring integrity by keeping enclosure temperature below 400°F (205°C).
- Thermal cycling can cause terminations to loosen. Periodically check and tighten all electrical connections.
- Size power feeder wires in accordance with NEC and other applicable codes.
- Protect employees against electrical shock by properly grounding the unit per NEC specifications.

Extended Capabilities For Duct Heaters

LDH SERIES and D SERIES

Performance Capabilities

- Wattages to 2.2 megawatts

Features and Benefits

Ceramic fiber insulation available

- Keeps wiring cooler and reduces heat loss

Greater than 1/4 in. (6 mm) with 304 or 316 stainless steel flange material

- Easily bolts to the duct wall

60 plus element designs available

- Meets a wide variety of kilowatt demands

Options

Sheath Material

Watlow duct heaters can be made with the following sheath materials:

- 304, 316, 321 SS
- Alloy 800, 840
- Laminated alloy 600 (hi-temp)
- Hastelloy C276

Contact your Watlow representative for details and availability.

Terminal Enclosures

In addition to the standard, general purpose terminal enclosure, Watlow offers the following optional terminal enclosures to meet specific application requirements:

- Explosion resistant (contact your Watlow representative)
- High-temperature stand-off enclosures

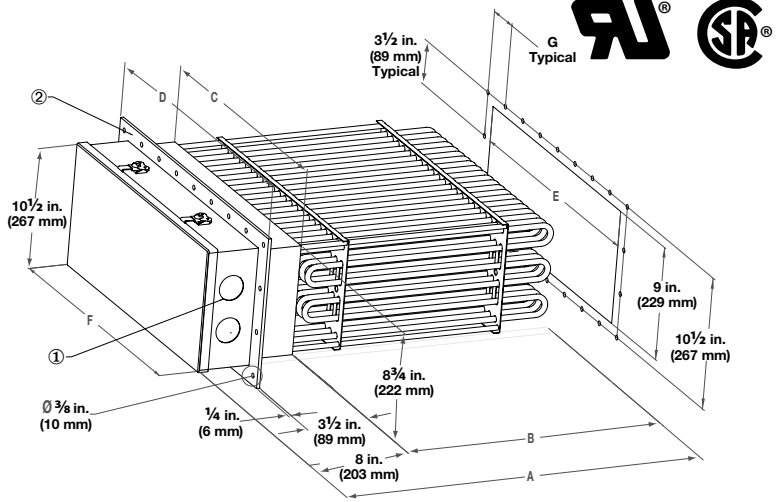
Air Heaters

Duct Heaters

LDH SERIES

**Application: High Temperature Air
800°F (427°C)**

- Welded alloy 840 WATROD elements
 - Without thermostat
 - General purpose enclosure
 - Steel flange
- ① 3 and 6 element heaters have (1) 1 inch NPT conduit opening; 9, 12 and 15 element heaters have (2) 1 inch NPT conduit openings; 18 element heaters have (2) 1 1/2 inch NPT conduit openings; 21 element (B= 20 1/4 in.) heaters have (2) 1 1/2 inch NPT conduit openings; remaining 21 and 24 element heaters have (3) 1 1/2 inch NPT conduit openings
- ② All flanges are 12 inches wide



# of Elem	Volts	kW	Ph	# Circ	Part Number	Del.	Ship Wt. lbs (kg)	"A" Dim. in. (mm)	"B" Dim. in. (mm)	"C" Dim. in. (mm)	"D" Dim. in. (mm)	"E" Dim. in. (mm)	"F" Dim. in. (mm)	"G" Dim. in. (mm)
20 W/in² (3.1 W/cm²)														
3	240	9.0	1	1	LDH9S10S	M	55 (25)	28 1/4 (718)	20 1/4 (514)	3 3/4 (95)	7 1/2 (191)	4 (102)	4 5/8 (117.5)	3 (76)
3	240	9.0	3	1	LDH9S3S	M	55 (25)	28 1/4 (718)	20 1/4 (514)	3 3/4 (95)	7 1/2 (191)	4 (102)	4 5/8 (117.5)	3 (76)
3	480	9.0	1	1	LDH9S11S	M	55 (25)	28 1/4 (718)	20 1/4 (514)	3 3/4 (95)	7 1/2 (191)	4 (102)	4 5/8 (117.5)	3 (76)
3	480	9.0	3	1	LDH9S5S	M	55 (25)	28 1/4 (718)	20 1/4 (514)	3 3/4 (95)	7 1/2 (191)	4 (102)	4 5/8 (117.5)	3 (76)
6	240	18.0	1	2	LDH18S10S	M	65 (30)	28 1/4 (718)	20 1/4 (514)	6 3/4 (171)	10 1/2 (267)	7 (178)	7 5/8 (193.7)	3 (76)
6	240	18.0	3	1	LDH18S3S	M	65 (30)	28 1/4 (718)	20 1/4 (514)	6 3/4 (171)	10 1/2 (267)	7 (178)	7 5/8 (193.7)	3 (76)
6	480	18.0	1	1	LDH18S11S	M	65 (30)	28 1/4 (718)	20 1/4 (514)	6 3/4 (171)	10 1/2 (267)	7 (178)	7 5/8 (193.7)	3 (76)
6	480	18.0	3	1	LDH18S5S	M	65 (30)	28 1/4 (718)	20 1/4 (514)	6 3/4 (171)	10 1/2 (267)	7 (178)	7 5/8 (193.7)	3 (76)
9	240	27.0	1	3	LDH27S10S	M	120 (55)	28 1/4 (718)	20 1/4 (514)	9 3/4 (248)	13 1/2 (343)	10 (254)	10 5/8 (269.9)	3 (76)
9	240	27.0	3	3	LDH27S3S	M	120 (55)	28 1/4 (718)	20 1/4 (514)	9 3/4 (248)	13 1/2 (343)	10 (254)	10 5/8 (269.9)	3 (76)
9	480	27.0	1	3	LDH27S11S	M	120 (55)	28 1/4 (718)	20 1/4 (514)	9 3/4 (248)	13 1/2 (343)	10 (254)	10 5/8 (269.9)	3 (76)
9	480	27.0	3	1	LDH27S5S	M	120 (55)	28 1/4 (718)	20 1/4 (514)	9 3/4 (248)	13 1/2 (343)	10 (254)	10 5/8 (269.9)	3 (76)
12	240	36.0	1	4	LDH36S10S	M	135 (62)	28 1/4 (718)	20 1/4 (514)	12 3/4 (324)	16 1/2 (419)	13 (330)	13 5/8 (346.1)	3 (76)
12	240	36.0	3	2	LDH36S3S	M	135 (62)	28 1/4 (718)	20 1/4 (514)	12 3/4 (324)	16 1/2 (419)	13 (330)	13 5/8 (346.1)	3 (76)
12	480	36.0	1	2	LDH36S11S	M	135 (62)	28 1/4 (718)	20 1/4 (514)	12 3/4 (324)	16 1/2 (419)	13 (330)	13 5/8 (346.1)	3 (76)
12	480	36.0	3	1	LDH36S5S	M	135 (62)	28 1/4 (718)	20 1/4 (514)	12 3/4 (324)	16 1/2 (419)	13 (330)	13 5/8 (346.1)	3 (76)
15	240	45.0	3	5	LDH45S3S	M	195 (89)	28 1/4 (718)	20 1/4 (514)	15 3/4 (400)	19 1/2 (495)	16 (406)	17 7/8 (454.0)	3 (76)
15	480	45.0	1	3	LDH45S11S	M	195 (89)	28 1/4 (718)	20 1/4 (514)	15 3/4 (400)	19 1/2 (495)	16 (406)	17 7/8 (454.0)	3 (76)
15	480	45.0	3	5	LDH45S5S	M	195 (89)	28 1/4 (718)	20 1/4 (514)	15 3/4 (400)	19 1/2 (495)	16 (406)	17 7/8 (454.0)	3 (76)
18	240	54.0	3	3	LDH54S3S	M	205 (93)	28 1/4 (718)	20 1/4 (514)	18 3/4 (476)	22 1/2 (572)	19 (483)	20 7/8 (530.2)	3 (76)
18	480	54.0	1	3	LDH54S11S	M	205 (93)	28 1/4 (718)	20 1/4 (514)	18 3/4 (476)	22 1/2 (572)	19 (483)	20 7/8 (530.2)	3 (76)
18	480	54.0	3	2	LDH54S5S	M	205 (93)	28 1/4 (718)	20 1/4 (514)	18 3/4 (476)	22 1/2 (572)	19 (483)	20 7/8 (530.2)	3 (76)
21	240	63.0	3	7	LDH63S3S	M	235 (107)	28 1/4 (718)	20 1/4 (514)	21 3/4 (552)	25 1/2 (848)	22 (559)	23 7/8 (606.4)	3 (76)
21	480	63.0	1	3	LDH63S11S	M	235 (107)	28 1/4 (718)	20 1/4 (514)	21 3/4 (552)	25 1/2 (848)	22 (559)	23 7/8 (606.4)	3 (76)
21	480	63.0	3	7	LDH63S5S	M	235 (107)	28 1/4 (718)	20 1/4 (514)	21 3/4 (552)	25 1/2 (848)	22 (559)	23 7/8 (606.4)	3 (76)
21	240	79.0	3	7	LDH79S3S	M	260 (118)	33 (838)	25 (635)	21 3/4 (552)	25 1/2 (848)	22 (559)	23 7/8 (606.4)	3 (76)
21	480	79.0	1	7	LDH79S11S	M	260 (118)	33 (838)	25 (635)	21 3/4 (552)	25 1/2 (848)	22 (559)	23 7/8 (606.4)	3 (76)
21	480	79.0	3	7	LDH79S5S	M	260 (118)	33 (838)	25 (635)	21 3/4 (552)	25 1/2 (848)	22 (559)	23 7/8 (606.4)	3 (76)
21	240	105.0	3	7	LDH105S3S	M	290 (132)	40 1/2 (1029)	32 1/2 (826)	21 3/4 (552)	25 1/2 (848)	22 (559)	23 7/8 (606.4)	3 (76)
21	480	105.0	1	7	LDH105S11S	M	290 (132)	40 1/2 (1029)	32 1/2 (826)	21 3/4 (552)	25 1/2 (848)	22 (559)	23 7/8 (606.4)	3 (76)
21	480	105.0	3	7	LDH105S5S	M	290 (132)	40 1/2 (1029)	32 1/2 (826)	21 3/4 (552)	25 1/2 (848)	22 (559)	23 7/8 (606.4)	3 (76)
21	480	131.0	3	7	LDH131S5S	M	310 (141)	49 1/2 (1257)	41 1/2 (1054)	21 3/4 (552)	25 1/2 (848)	22 (559)	23 7/8 (606.4)	3 (76)
24	480	150.0	3	4	LDH150S5S	M	330 (150)	49 1/2 (1257)	41 1/2 (1054)	24 3/4 (629)	28 1/2 (724)	25 (635)	26 7/8 (682.6)	3 (76)

- **M** - Manufacturing lead times
- Truck Shipment only

Notes:

- See *Watt Density vs. Air Temperature/Velocity* charts on page 393 to confirm suitability in the application.

Air Heaters

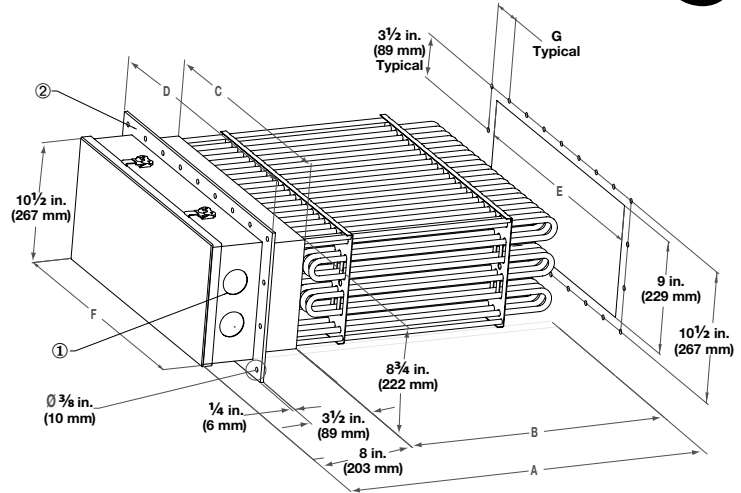
Duct Heaters

LDH SERIES



Application: Medium Temperature Air 750°F (399°C)

- Welded alloy 840 WATROD elements
 - Without thermostat
 - General purpose enclosure
 - Steel flange
- ① 3 and 6 element heaters have (1) 1 inch NPT conduit opening; 9, 12 and 15 element heaters have (2) 1 inch NPT conduit openings; 18 element heaters have (2) 1 1/2 inch NPT conduit openings; 21 element (B= 20 1/4 in.) heaters have (2) 1 1/2 inch NPT conduit openings; remaining 21 and 24 element heaters have (3) 1 1/2 inch NPT conduit openings
- ② All flanges are 12 inches wide



# of Elem	Volts	kW	Ph	# Circ	Part Number	Del.	Ship Wt. lbs. (kg)	"A" Dim. in. (mm)	"B" Dim. in. (mm)	"C" Dim. in. (mm)	"D" Dim. in. (mm)	"E" Dim. in. (mm)	"F" Dim. in. (mm)	"G" Dim. in. (mm)
30 W/in² (4.7 W/cm²)														
3	240	14.0	1	3	LDH14SX10S	M	55 (25)	28 1/4 (718)	20 1/4 (514)	3 3/4 (95)	7 1/2 (191)	4 (102)	4 5/8 (117.5)	3 (76)
3	240	14.0	3	1	LDH14SX3S	M	55 (25)	28 1/4 (718)	20 1/4 (514)	3 3/4 (95)	7 1/2 (191)	4 (102)	4 5/8 (117.5)	3 (76)
3	480	14.0	1	1	LDH14SX11S	M	55 (25)	28 1/4 (718)	20 1/4 (514)	3 3/4 (95)	7 1/2 (191)	4 (102)	4 5/8 (117.5)	3 (76)
3	480	14.0	3	1	LDH14SX5S	M	55 (25)	28 1/4 (718)	20 1/4 (514)	3 3/4 (95)	7 1/2 (191)	4 (102)	4 5/8 (117.5)	3 (76)
6	240	27.0	1	3	LDH27SX10S	M	65 (30)	28 1/4 (718)	20 1/4 (514)	6 3/4 (171)	10 1/2 (267)	7 (178)	7 5/8 (193.7)	3 (76)
6	240	27.0	3	2	LDH27SX3X	M	65 (30)	28 1/4 (718)	20 1/4 (514)	6 3/4 (171)	10 1/2 (267)	7 (178)	7 5/8 (193.7)	3 (76)
6	480	27.0	1	2	LDH27SX11S	M	65 (30)	28 1/4 (718)	20 1/4 (514)	6 3/4 (171)	10 1/2 (267)	7 (178)	7 5/8 (193.7)	3 (76)
6	480	27.0	3	1	LDH27SX5S	M	65 (30)	28 1/4 (718)	20 1/4 (514)	6 3/4 (171)	10 1/2 (267)	7 (178)	7 5/8 (193.7)	3 (76)
9	240	41.0	3	3	LDH41SX3S	M	120 (55)	28 1/4 (718)	20 1/4 (514)	9 3/4 (248)	13 1/2 (343)	10 (254)	10 5/8 (269.9)	3 (76)
9	480	41.0	1	3	LDH41SX11S	M	120 (55)	28 1/4 (718)	20 1/4 (514)	9 3/4 (248)	13 1/2 (343)	10 (254)	10 5/8 (269.9)	3 (76)
9	480	41.0	3	3	LDH41SX5S	M	120 (55)	28 1/4 (718)	20 1/4 (514)	9 3/4 (248)	13 1/2 (343)	10 (254)	10 5/8 (269.9)	3 (76)
12	240	54.0	3	4	LDH54SX3S	M	135 (62)	28 1/4 (718)	20 1/4 (514)	12 3/4 (324)	16 1/2 (419)	13 (330)	13 5/8 (346.1)	3 (76)
12	480	54.0	1	3	LDH54SX11S	M	135 (62)	28 1/4 (718)	20 1/4 (514)	12 3/4 (324)	16 1/2 (419)	13 (330)	13 5/8 (346.1)	3 (76)
12	480	54.0	3	2	LDH54SX5S	M	135 (62)	28 1/4 (718)	20 1/4 (514)	12 3/4 (324)	16 1/2 (419)	13 (330)	13 5/8 (346.1)	3 (76)
15	240	68.0	3	5	LDH68SX3S	M	195 (89)	28 1/4 (718)	20 1/4 (514)	15 3/4 (400)	19 1/2 (495)	16 (406)	17 7/8 (454.0)	3 (76)
15	480	68.0	1	3	LDH68SX11S	M	195 (89)	28 1/4 (718)	20 1/4 (514)	15 3/4 (400)	19 1/2 (495)	16 (406)	17 7/8 (454.0)	3 (76)
15	480	68.0	3	5	LDH68SX5S	M	195 (89)	28 1/4 (718)	20 1/4 (514)	15 3/4 (400)	19 1/2 (495)	16 (406)	17 7/8 (454.0)	3 (76)
18	240	80.0	3	6	LDH80SX3S	M	205 (93)	28 1/4 (718)	20 1/4 (514)	18 3/4 (476)	22 1/2 (572)	19 (483)	20 7/8 (530.2)	3 (76)
18	480	80.0	1	6	LDH80SX11S	M	205 (93)	28 1/4 (718)	20 1/4 (514)	18 3/4 (476)	22 1/2 (572)	19 (483)	20 7/8 (530.2)	3 (76)
18	480	80.0	3	3	LDH80SX5S	M	205 (93)	28 1/4 (718)	20 1/4 (514)	18 3/4 (476)	22 1/2 (572)	19 (483)	20 7/8 (530.2)	3 (76)
21	240	95.0	3	7	LDH95SX3S	M	235 (107)	28 1/4 (718)	20 1/4 (514)	21 3/4 (552)	25 1/2 (648)	22 (559)	23 7/8 (606.4)	3 (76)
21	480	95.0	1	7	LDH95SX11S	M	235 (107)	28 1/4 (718)	20 1/4 (514)	21 3/4 (552)	25 1/2 (648)	22 (559)	23 7/8 (606.4)	3 (76)
21	480	95.0	3	7	LDH95SX5S	M	235 (107)	28 1/4 (718)	20 1/4 (514)	21 3/4 (552)	25 1/2 (648)	22 (559)	23 7/8 (606.4)	3 (76)
21	240	120.0	3	7	LDH120SX3S	M	260 (118)	33 (838)	25 (635)	21 3/4 (552)	25 1/2 (648)	22 (559)	23 7/8 (606.4)	3 (76)
21	480	120.0	1	7	LDH120SX11S	M	260 (118)	33 (838)	25 (635)	21 3/4 (552)	25 1/2 (648)	22 (559)	23 7/8 (606.4)	3 (76)
21	480	120.0	3	7	LDH120SX5S	M	260 (118)	33 (838)	25 (635)	21 3/4 (552)	25 1/2 (648)	22 (559)	23 7/8 (606.4)	3 (76)
21	480	160.0	3	7	LDH160SX5S	M	290 (132)	40 1/2 (1029)	32 1/2 (826)	21 3/4 (552)	25 1/2 (648)	22 (559)	23 7/8 (606.4)	3 (76)
21	480	200.0	3	7	LDH200SX5S	M	310 (141)	49 1/2 (1257)	41 1/2 (1054)	21 3/4 (552)	25 1/2 (648)	22 (559)	23 7/8 (606.4)	3 (76)
24	480	225.0	3	8	LDH225SX5S	M	330 (150)	49 1/2 (1257)	41 1/2 (1054)	24 3/4 (629)	28 1/2 (724)	25 (635)	26 7/8 (682.6)	3 (76)

- M - Manufacturing lead times
- Truck Shipment only

Notes:

- See Watt Density vs. Air Temperature/Velocity charts on page 393 to confirm suitability in the application.

Air Heaters

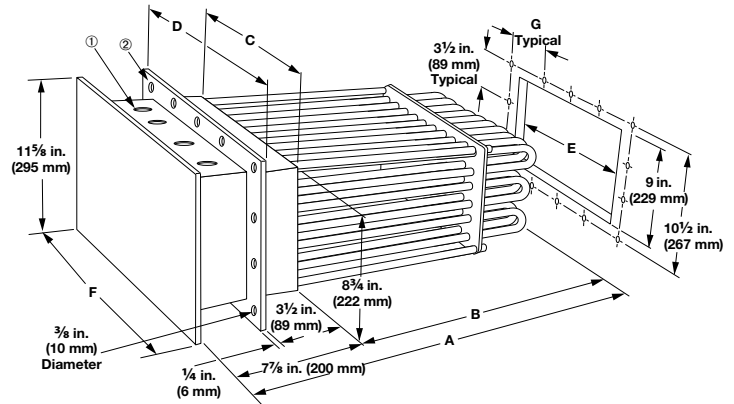
Duct Heaters

D SERIES



Application: High Temperature Air 800°F (427°C)

- Removable alloy 840 WATROD elements
 - Without thermostat
 - General purpose enclosure
 - Steel flange
- ① 6 and 12 element heaters have (1) 1 inch NPT conduit opening; 18, 24, 30 and 42 element heaters have (2) 1 inch NPT conduit openings; 36, 48, 54 and 60 element heaters have (2) 1 inch NPT and (2) 1 1/4 inch conduit openings
- ② All flanges are 12 inches wide



# of Elem.	Volts	kW	Ph	# Circ	Part Number	Del.	Ship Wt. lbs. (kg)	"A" Dim. in. (mm)	"B" Dim. in. (mm)	"C" Dim. in. (mm)	"D" Dim. in. (mm)	"E" Dim. in. (mm)	"F" Dim. in. (mm)	"G" Dim. in. (mm)
20 W/in² (3.1 W/cm²)														
6	240	6.0	1	1	D6S10S	M	50 (23)	27 ⁷ / ₈ (708)	20 (508)	2 ³ / ₄ (70)	6 ¹ / ₂ (165)	3 (76)	5 ³ / ₄ (146)	2 ¹ / ₂ (64)
6	240	6.0	3	1	D6S3S	M	50 (23)	27 ⁷ / ₈ (708)	20 (508)	2 ³ / ₄ (70)	6 ¹ / ₂ (165)	3 (76)	5 ³ / ₄ (146)	2 ¹ / ₂ (64)
6	480	6.0	1	1	D6S11S	M	50 (23)	27 ⁷ / ₈ (708)	20 (508)	2 ³ / ₄ (70)	6 ¹ / ₂ (165)	3 (76)	5 ³ / ₄ (146)	2 ¹ / ₂ (64)
6	480	6.0	3	1	D6S5S	M	50 (23)	27 ⁷ / ₈ (708)	20 (508)	2 ³ / ₄ (70)	6 ¹ / ₂ (165)	3 (76)	5 ³ / ₄ (146)	2 ¹ / ₂ (64)
12	240	12.0	1	1	D12S10S	M	55 (25)	27 ⁷ / ₈ (708)	20 (508)	4 ³ / ₄ (121)	8 ¹ / ₂ (215)	5 (127)	7 ³ / ₄ (197)	3 ¹ / ₂ (89)
12	240	12.0	3	1	D12S3S	M	55 (25)	27 ⁷ / ₈ (708)	20 (508)	4 ³ / ₄ (121)	8 ¹ / ₂ (215)	5 (127)	7 ³ / ₄ (197)	3 ¹ / ₂ (89)
12	480	12.0	1	1	D12S11S	M	55 (25)	27 ⁷ / ₈ (708)	20 (508)	4 ³ / ₄ (121)	8 ¹ / ₂ (215)	5 (127)	7 ³ / ₄ (197)	3 ¹ / ₂ (89)
12	480	12.0	3	1	D12S5S	M	55 (25)	27 ⁷ / ₈ (708)	20 (508)	4 ³ / ₄ (121)	8 ¹ / ₂ (215)	5 (127)	7 ³ / ₄ (197)	3 ¹ / ₂ (89)
18	240	18.0	1	2	D18S10S	M	65 (30)	27 ⁷ / ₈ (708)	20 (508)	6 ³ / ₄ (171)	10 ¹ / ₂ (267)	7 (178)	9 ³ / ₄ (248)	3 (76)
18	240	18.0	3	1	D18S3S	M	65 (30)	27 ⁷ / ₈ (708)	20 (508)	6 ³ / ₄ (171)	10 ¹ / ₂ (267)	7 (178)	9 ³ / ₄ (248)	3 (76)
18	480	18.0	1	1	D18S11S	M	65 (30)	27 ⁷ / ₈ (708)	20 (508)	6 ³ / ₄ (171)	10 ¹ / ₂ (267)	7 (178)	9 ³ / ₄ (248)	3 (76)
18	480	18.0	3	1	D18S5S	M	65 (30)	27 ⁷ / ₈ (708)	20 (508)	6 ³ / ₄ (171)	10 ¹ / ₂ (267)	7 (178)	9 ³ / ₄ (248)	3 (76)
24	240	24.0	1	2	D24S10S	M	95 (43)	27 ⁷ / ₈ (708)	20 (508)	8 ³ / ₄ (222)	12 ¹ / ₂ (318)	9 (229)	11 ³ / ₄ (298)	2 ³ / ₄ (70)
24	240	24.0	3	2	D24S3S	M	95 (43)	27 ⁷ / ₈ (708)	20 (508)	8 ³ / ₄ (222)	12 ¹ / ₂ (318)	9 (229)	11 ³ / ₄ (298)	2 ³ / ₄ (70)
24	480	24.0	1	1	D24S11S	M	95 (43)	27 ⁷ / ₈ (708)	20 (508)	8 ³ / ₄ (222)	12 ¹ / ₂ (318)	9 (229)	11 ³ / ₄ (298)	2 ³ / ₄ (70)
24	480	24.0	3	1	D24S5S	M	95 (43)	27 ⁷ / ₈ (708)	20 (508)	8 ³ / ₄ (222)	12 ¹ / ₂ (318)	9 (229)	11 ³ / ₄ (298)	2 ³ / ₄ (70)
30	240	30.0	3	2	D30S3S	M	120 (55)	27 ⁷ / ₈ (708)	20 (508)	10 ³ / ₄ (273)	14 ¹ / ₂ (368)	11 (279)	13 ³ / ₄ (349)	3 ¹ / ₄ (83)
30	480	30.0	1	2	D30S11S	M	120 (55)	27 ⁷ / ₈ (708)	20 (508)	10 ³ / ₄ (273)	14 ¹ / ₂ (368)	11 (279)	13 ³ / ₄ (349)	3 ¹ / ₄ (83)
30	480	30.0	3	1	D30S5S	M	120 (55)	27 ⁷ / ₈ (708)	20 (508)	10 ³ / ₄ (273)	14 ¹ / ₂ (368)	11 (279)	13 ³ / ₄ (349)	3 ¹ / ₄ (83)

CONTINUED

- M - Manufacturing lead times
- Truck Shipment only

Notes:

- See *Watt Density vs. Air Temperature/Velocity* charts on page 393 to confirm suitability in the application.

Air Heaters

Duct Heaters

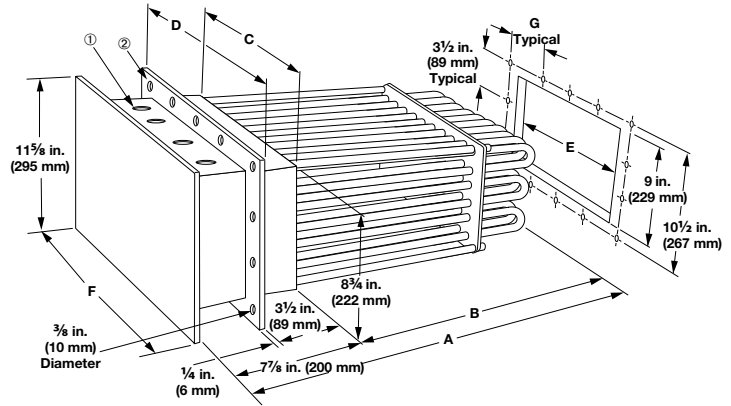
D SERIES



Application: High Temperature Air 800°F (427°C)

- Removable alloy 840 WATROD elements
- Without thermostat
- General purpose enclosure
- Steel flange

- ① 6 and 12 element heaters have (1) 1 inch NPT conduit opening; 18, 24, 30 and 42 element heaters have (2) 1 inch NPT conduit openings; 36, 48, 54, and 60 element heaters have (2) 1 inch NPT and (2) 1 1/4 inch conduit openings
- ② All flanges are 12 inches wide



# of Elem.	Volts	kW	Ph	# Circ	Part Number	Del.	Ship Wt. lbs. (kg)	"A" Dim. in. (mm)	"B" Dim. in. (mm)	"C" Dim. in. (mm)	"D" Dim. in. (mm)	"E" Dim. in. (mm)	"F" Dim. in. (mm)	"G" Dim. in. (mm)
20 W/in² (3.1 W/cm²)														
36	240	36.0	3	2	D36S3S	M	135 (62)	27 ⁷ / ₈ (708.0)	20 (508)	12 ³ / ₄ (324)	16 ¹ / ₂ (419)	13 (330)	15 ³ / ₄ (400)	3 ³ / ₄ (95)
36	480	36.0	1	2	D36S11S	M	135 (62)	27 ⁷ / ₈ (708.0)	20 (508)	12 ³ / ₄ (324)	16 ¹ / ₂ (419)	13 (330)	15 ³ / ₄ (400)	3 ³ / ₄ (95)
36	480	36.0	3	1	D36S5S	M	135 (62)	27 ⁷ / ₈ (708.0)	20 (508)	12 ³ / ₄ (324)	16 ¹ / ₂ (419)	13 (330)	15 ³ / ₄ (400)	3 ³ / ₄ (95)
42	240	42.0	3	2	D42S3S	M	155 (71)	27 ⁷ / ₈ (708.0)	20 (508)	14 ³ / ₄ (375)	18 ¹ / ₂ (470)	15 (381)	17 ³ / ₄ (451)	4 ¹ / ₄ (108)
42	480	42.0	1	2	D42S11S	M	155 (71)	27 ⁷ / ₈ (708.0)	20 (508)	14 ³ / ₄ (375)	18 ¹ / ₂ (470)	15 (381)	17 ³ / ₄ (451)	4 ¹ / ₄ (108)
42	480	42.0	3	2	D42S5S	M	155 (71)	27 ⁷ / ₈ (708.0)	20 (508)	14 ³ / ₄ (375)	18 ¹ / ₂ (470)	15 (381)	17 ³ / ₄ (451)	4 ¹ / ₄ (108)
48	240	48.0	3	4	D48S3S	M	195 (89)	27 ⁷ / ₈ (708.0)	20 (508)	16 ³ / ₄ (425)	20 ¹ / ₂ (521)	17 (432)	19 ³ / ₄ (502)	4 ³ / ₄ (121)
48	480	48.0	1	2	D48S11S	M	195 (89)	27 ⁷ / ₈ (708.0)	20 (508)	16 ³ / ₄ (425)	20 ¹ / ₂ (521)	17 (432)	19 ³ / ₄ (502)	4 ³ / ₄ (121)
48	480	48.0	3	2	D48S5S	M	195 (89)	27 ⁷ / ₈ (708.0)	20 (508)	16 ³ / ₄ (425)	20 ¹ / ₂ (521)	17 (432)	19 ³ / ₄ (502)	4 ³ / ₄ (121)
54	240	54.0	3	3	D54S3S	M	205 (93)	27 ⁷ / ₈ (708.0)	20 (508)	18 ³ / ₄ (476)	22 ¹ / ₂ (572)	19 (483)	21 ³ / ₄ (552)	5 ¹ / ₄ (133)
54	480	54.0	1	3	D54S11S	M	205 (93)	27 ⁷ / ₈ (708.0)	20 (508)	18 ³ / ₄ (476)	22 ¹ / ₂ (572)	19 (483)	21 ³ / ₄ (552)	5 ¹ / ₄ (133)
54	480	54.0	3	2	D54S5S	M	205 (93)	27 ⁷ / ₈ (708.0)	20 (508)	18 ³ / ₄ (476)	22 ¹ / ₂ (572)	19 (483)	21 ³ / ₄ (552)	5 ¹ / ₄ (133)
60	240	60.0	3	4	D60S3S	M	235 (107)	27 ⁷ / ₈ (708.0)	20 (508)	20 ³ / ₄ (527)	24 ¹ / ₂ (622)	21 (533)	23 ³ / ₄ (603)	5 ³ / ₄ (146)
60	480	60.0	1	4	D60S11S	M	235 (107)	27 ⁷ / ₈ (708.0)	20 (508)	20 ³ / ₄ (527)	24 ¹ / ₂ (622)	21 (533)	23 ³ / ₄ (603)	5 ³ / ₄ (146)
60	480	60.0	3	2	D60S5S	M	235 (107)	27 ⁷ / ₈ (708.0)	20 (508)	20 ³ / ₄ (527)	24 ¹ / ₂ (622)	21 (533)	23 ³ / ₄ (603)	5 ³ / ₄ (146)
60	240	75.0	3	4	D75S3S	M	260 (118)	32 ⁷ / ₈ (835.0)	25 (635)	20 ³ / ₄ (527)	24 ¹ / ₂ (622)	21 (533)	23 ³ / ₄ (603)	5 ³ / ₄ (146)
60	480	75.0	1	4	D75S11S	M	260 (118)	32 ⁷ / ₈ (835.0)	25 (635)	20 ³ / ₄ (527)	24 ¹ / ₂ (622)	21 (533)	23 ³ / ₄ (603)	5 ³ / ₄ (146)
60	480	75.0	3	2	D75S5S	M	260 (118)	32 ⁷ / ₈ (835.0)	25 (635)	20 ³ / ₄ (527)	24 ¹ / ₂ (622)	21 (533)	23 ³ / ₄ (603)	5 ³ / ₄ (146)
60	480	100.0	3	4	D100S5S	M	290 (132)	40 ³ / ₈ (1025.5)	32 ¹ / ₂ (826)	20 ³ / ₄ (527)	24 ¹ / ₂ (622)	21 (533)	23 ³ / ₄ (603)	5 ³ / ₄ (146)
60	480	125.0	3	4	D125S5S	M	310 (141)	49 ³ / ₈ (1254.1)	41 ¹ / ₂ (1054)	20 ³ / ₄ (527)	24 ¹ / ₂ (622)	21 (533)	23 ³ / ₄ (603)	5 ³ / ₄ (146)

- **M** - Manufacturing lead times
- Truck Shipment only

Notes:

- See *Watt Density vs. Air Temperature/Velocity* charts on page 393 to confirm suitability in the application.

Air Heaters

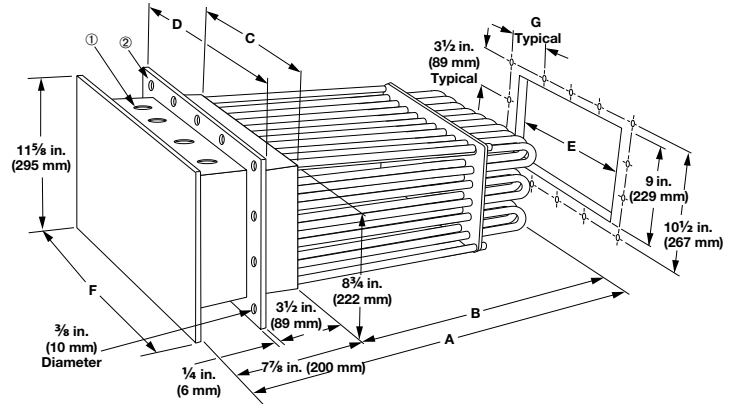
Duct Heaters

D SERIES



Application: Medium Temperature Air 750°F (399°C)

- Removable alloy 840 WATROD elements
 - Without thermostat
 - General purpose enclosure
 - Steel flange
- ① 6 and 12 element heaters have (1) 1 inch NPT conduit opening; 18, 24, 30 and 42 element heaters have (2) 1 inch NPT conduit openings; 36, 48, 54, and 60 element heaters have (2) 1 inch NPT and (2) 1 1/4 inch conduit openings
- ② All flanges are 12 inches wide



# of Elem.	Volts	kW	Ph	# Circ	Part Number	Del.	Ship Wt. lbs. (kg)	"A" Dim. in. (mm)	"B" Dim. in. (mm)	"C" Dim. in. (mm)	"D" Dim. in. (mm)	"E" Dim. in. (mm)	"F" Dim. in. (mm)	"G" Dim. in. (mm)
30 W/in² (4.7 W/cm²)														
6	240	9.0	1	1	D6SX10S	M	50 (23)	27 ⁷ / ₈ (708)	20 (508)	2 ³ / ₄ (70)	6 ¹ / ₂ (165)	3 (76)	5 ³ / ₄ (146)	2 ¹ / ₂ (64)
6	240	9.0	3	1	D6SX3S	M	50 (23)	27 ⁷ / ₈ (708)	20 (508)	2 ³ / ₄ (70)	6 ¹ / ₂ (165)	3 (76)	5 ³ / ₄ (146)	2 ¹ / ₂ (64)
6	480	9.0	1	1	D6SX11S	M	50 (23)	27 ⁷ / ₈ (708)	20 (508)	2 ³ / ₄ (70)	6 ¹ / ₂ (165)	3 (76)	5 ³ / ₄ (146)	2 ¹ / ₂ (64)
6	480	9.0	3	1	D6SX5S	M	50 (23)	27 ⁷ / ₈ (708)	20 (508)	2 ³ / ₄ (70)	6 ¹ / ₂ (165)	3 (76)	5 ³ / ₄ (146)	2 ¹ / ₂ (64)
12	240	18.0	1	2	D12SX10S	M	55 (25)	27 ⁷ / ₈ (708)	20 (508)	4 ³ / ₄ (121)	8 ¹ / ₂ (215)	5 (127)	7 ³ / ₄ (197)	3 ¹ / ₂ (89)
12	240	18.0	3	1	D12SX3S	M	55 (25)	27 ⁷ / ₈ (708)	20 (508)	4 ³ / ₄ (121)	8 ¹ / ₂ (215)	5 (127)	7 ³ / ₄ (197)	3 ¹ / ₂ (89)
12	480	18.0	1	1	D12SX11S	M	55 (25)	27 ⁷ / ₈ (708)	20 (508)	4 ³ / ₄ (121)	8 ¹ / ₂ (215)	5 (127)	7 ³ / ₄ (197)	3 ¹ / ₂ (89)
12	480	18.0	3	1	D12SX5S	M	55 (25)	27 ⁷ / ₈ (708)	20 (508)	4 ³ / ₄ (121)	8 ¹ / ₂ (215)	5 (127)	7 ³ / ₄ (197)	3 ¹ / ₂ (89)
18	240	27.0	1	3	D18SX10S	M	65 (30)	27 ⁷ / ₈ (708)	20 (508)	6 ³ / ₄ (171)	10 ¹ / ₂ (267)	7 (178)	9 ³ / ₄ (248)	3 (76)
18	240	27.0	3	2	D18SX3S	M	65 (30)	27 ⁷ / ₈ (708)	20 (508)	6 ³ / ₄ (171)	10 ¹ / ₂ (267)	7 (178)	9 ³ / ₄ (248)	3 (76)
18	480	27.0	1	2	D18SX11S	M	65 (30)	27 ⁷ / ₈ (708)	20 (508)	6 ³ / ₄ (171)	10 ¹ / ₂ (267)	7 (178)	9 ³ / ₄ (248)	3 (76)
18	480	27.0	3	1	D18SX5S	M	65 (30)	27 ⁷ / ₈ (708)	20 (508)	6 ³ / ₄ (171)	10 ¹ / ₂ (267)	7 (178)	9 ³ / ₄ (248)	3 (76)
24	240	36.0	1	4	D24SX10S	M	95 (43)	27 ⁷ / ₈ (708)	20 (508)	8 ³ / ₄ (222)	12 ¹ / ₂ (318)	9 (229)	11 ³ / ₄ (298)	2 ³ / ₄ (70)
24	240	36.0	3	2	D24SX3S	M	95 (43)	27 ⁷ / ₈ (708)	20 (508)	8 ³ / ₄ (222)	12 ¹ / ₂ (318)	9 (229)	11 ³ / ₄ (298)	2 ³ / ₄ (70)
24	480	36.0	1	2	D24SX11S	M	95 (43)	27 ⁷ / ₈ (708)	20 (508)	8 ³ / ₄ (222)	12 ¹ / ₂ (318)	9 (229)	11 ³ / ₄ (298)	2 ³ / ₄ (70)
24	480	36.0	3	1	D24SX5S	M	95 (43)	27 ⁷ / ₈ (708)	20 (508)	8 ³ / ₄ (222)	12 ¹ / ₂ (318)	9 (229)	11 ³ / ₄ (298)	2 ³ / ₄ (70)
30	240	45.0	3	5	D30SX3S	M	120 (55)	27 ⁷ / ₈ (708)	20 (508)	10 ³ / ₄ (273)	14 ¹ / ₂ (368)	11 (279)	13 ³ / ₄ (349)	3 ¹ / ₄ (83)
30	480	45.0	1	2	D30SX11S	M	120 (55)	27 ⁷ / ₈ (708)	20 (508)	10 ³ / ₄ (273)	14 ¹ / ₂ (368)	11 (279)	13 ³ / ₄ (349)	3 ¹ / ₄ (83)
30	480	45.0	3	2	D30SX5S	M	120 (55)	27 ⁷ / ₈ (708)	20 (508)	10 ³ / ₄ (273)	14 ¹ / ₂ (368)	11 (279)	13 ³ / ₄ (349)	3 ¹ / ₄ (83)

CONTINUED

- M - Manufacturing lead times
- Truck Shipment only

Notes:

- See Watt Density vs. Air Temperature/Velocity charts on page 393 to confirm suitability in the application.

Air Heaters

Duct Heaters

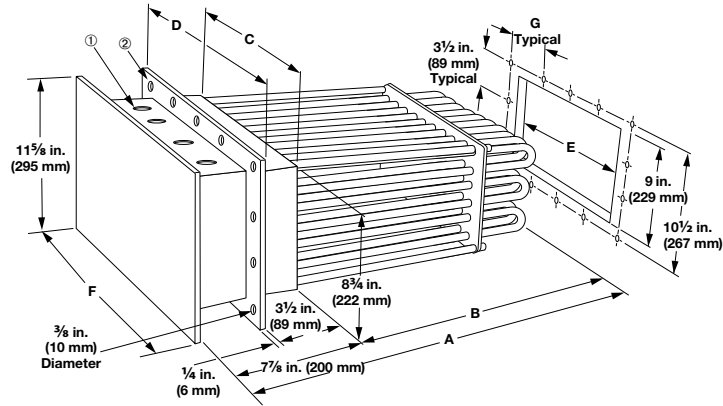
D SERIES



Application: Medium Temperature Air 750°F (399°C)

- Removable alloy 840 WATROD elements
- Without thermostat
- General purpose enclosure
- Steel flange

- ① 6 and 12 element heaters have (1) 1 inch NPT conduit opening; 18, 24, 30 and 42 element heaters have (2) 1 inch NPT conduit openings; 36, 48, 54, and 60 element heaters have (2) 1 inch NPT and (2) 1 1/4 inch conduit openings
- ② All flanges are 12 inches. wide



# of Elem.	Volts	kW	Ph	# Circ	Part Number	Del.	Ship Wt. lbs. (kg)	"A" Dim. in. (mm)	"B" Dim. in. (mm)	"C" Dim. in. (mm)	"D" Dim. in. (mm)	"E" Dim. in. (mm)	"F" Dim. in. (mm)	"G" Dim. in. (mm)
30 W/in² (4.7 W/cm²)														
36	240	54.0	3	3	D36SX3S	M	135 (62)	27 ⁷ / ₈ (708.0)	20 (508)	12 ³ / ₄ (324)	16 ¹ / ₂ (419)	13 (330)	15 ³ / ₄ (400)	3 ³ / ₄ (95)
36	480	54.0	1	3	D36SX11S	M	135 (62)	27 ⁷ / ₈ (708.0)	20 (508)	12 ³ / ₄ (324)	16 ¹ / ₂ (419)	13 (330)	15 ³ / ₄ (400)	3 ³ / ₄ (95)
36	480	54.0	3	2	D36SX5S	M	135 (62)	27 ⁷ / ₈ (708.0)	20 (508)	12 ³ / ₄ (324)	16 ¹ / ₂ (419)	13 (330)	15 ³ / ₄ (400)	3 ³ / ₄ (95)
42	240	63.0	3	7	D42SX3S	M	155 (71)	27 ⁷ / ₈ (708.0)	20 (508)	14 ³ / ₄ (375)	18 ¹ / ₂ (470)	15 (381)	17 ³ / ₄ (451)	4 ¹ / ₄ (108)
42	480	63.0	1	3	D42SX11S	M	155 (71)	27 ⁷ / ₈ (708.0)	20 (508)	14 ³ / ₄ (375)	18 ¹ / ₂ (470)	15 (381)	17 ³ / ₄ (451)	4 ¹ / ₄ (108)
42	480	63.0	3	2	D42SX5S	M	155 (71)	27 ⁷ / ₈ (708.0)	20 (508)	14 ³ / ₄ (375)	18 ¹ / ₂ (470)	15 (381)	17 ³ / ₄ (451)	4 ¹ / ₄ (108)
48	240	72.0	3	4	D48SX3S	M	195 (89)	27 ⁷ / ₈ (708.0)	20 (508)	16 ³ / ₄ (425)	20 ¹ / ₂ (521)	17 (432)	19 ³ / ₄ (502)	4 ³ / ₄ (121)
48	480	72.0	1	4	D48SX11S	M	195 (89)	27 ⁷ / ₈ (708.0)	20 (508)	16 ³ / ₄ (425)	20 ¹ / ₂ (521)	17 (432)	19 ³ / ₄ (502)	4 ³ / ₄ (121)
48	480	72.0	3	2	D48SX5S	M	195 (89)	27 ⁷ / ₈ (708.0)	20 (508)	16 ³ / ₄ (425)	20 ¹ / ₂ (521)	17 (432)	19 ³ / ₄ (502)	4 ³ / ₄ (121)
54	240	81.0	3	6	D54SX3S	M	205 (93)	27 ⁷ / ₈ (708.0)	20 (508)	18 ³ / ₄ (476)	22 ¹ / ₂ (572)	19 (483)	21 ³ / ₄ (552)	5 ¹ / ₄ (133)
54	480	81.0	1	6	D54SX11S	M	205 (93)	27 ⁷ / ₈ (708.0)	20 (508)	18 ³ / ₄ (476)	22 ¹ / ₂ (572)	19 (483)	21 ³ / ₄ (552)	5 ¹ / ₄ (133)
54	480	81.0	3	3	D54SX5S	M	205 (93)	27 ⁷ / ₈ (708.0)	20 (508)	18 ³ / ₄ (476)	22 ¹ / ₂ (572)	19 (483)	21 ³ / ₄ (552)	5 ¹ / ₄ (133)
60	240	90.0	3	5	D60SX3S	M	235 (107)	27 ⁷ / ₈ (708.0)	20 (508)	20 ³ / ₄ (527)	24 ¹ / ₂ (622)	21 (533)	23 ³ / ₄ (603)	5 ³ / ₄ (146)
60	480	90.0	1	4	D60SX11S	M	235 (107)	27 ⁷ / ₈ (708.0)	20 (508)	20 ³ / ₄ (527)	24 ¹ / ₂ (622)	21 (533)	23 ³ / ₄ (603)	5 ³ / ₄ (146)
60	480	90.0	3	4	D60SX5S	M	235 (107)	27 ⁷ / ₈ (708.0)	20 (508)	20 ³ / ₄ (527)	24 ¹ / ₂ (622)	21 (533)	23 ³ / ₄ (603)	5 ³ / ₄ (146)
60	240	115.0	3	10	D75SX3S	M	260 (118)	32 ⁷ / ₈ (835.0)	25 (635)	20 ³ / ₄ (527)	24 ¹ / ₂ (622)	21 (533)	23 ³ / ₄ (603)	5 ³ / ₄ (146)
60	480	115.0	1	5	D75SX11S	M	260 (118)	32 ⁷ / ₈ (835.0)	25 (635)	20 ³ / ₄ (527)	24 ¹ / ₂ (622)	21 (533)	23 ³ / ₄ (603)	5 ³ / ₄ (146)
60	480	115.0	3	4	D75SX5S	M	260 (118)	32 ⁷ / ₈ (835.0)	25 (635)	20 ³ / ₄ (527)	24 ¹ / ₂ (622)	21 (533)	23 ³ / ₄ (603)	5 ³ / ₄ (146)
60	480	150.0	3	4	D100SX5S	M	290 (132)	40 ³ / ₈ (1025.5)	32 ¹ / ₂ (826)	20 ³ / ₄ (527)	24 ¹ / ₂ (622)	21 (533)	23 ³ / ₄ (603)	5 ³ / ₄ (146)
60	480	190.0	3	5	D125SX5S	M	310 (141)	49 ³ / ₈ (1254.1)	41 ¹ / ₂ (1054)	20 ³ / ₄ (527)	24 ¹ / ₂ (622)	21 (533)	23 ³ / ₄ (603)	5 ³ / ₄ (146)

- M - Manufacturing lead times
- Truck Shipment only

Notes:

- See Watt Density vs. Air Temperature/Velocity charts on page 393 to confirm suitability in the application.

Air Heaters

Duct Heaters

LDH SERIES and D SERIES

Replacement Elements

Replaceable heating elements provide easy field service and reduce downtime. Element change-out is made simple by a single screw clamp.

To order replacement elements, specify the **replacement element part number** (from the table) that corresponds to the original Watlow duct heater part number. Then, specify **quantity**.

Replacement Elements

Original Duct Heater Part Numbers	Replacement Element		A Dimension		Replacement Element Part Number	Delivery	Est. Net Wt.	
	Volts	Watts	in.	(mm)			lbs	(kg)
20 W/in² (3.1 W/cm²)								
D6S3 to D60S3	240	1000	27 ⁷ / ₈	(708.0)	D6240	M	1.0	(0.5)
D6S5 to D60S5	480	1000	27 ⁷ / ₈	(708.0)	D6480	M	1.0	(0.5)
D75S3	240	1250	32 ⁷ / ₈	(835.0)	D75240	M	1.0	(0.5)
D75S5	480	1250	32 ⁷ / ₈	(835.0)	D75480	M	1.0	(0.5)
D100S5	480	1667	40 ³ / ₈	(1025.5)	D100480	M	1.4	(0.7)
D125S5	480	2083	49 ³ / ₈	(1254.1)	D125480	M	1.7	(0.8)
30 W/in² (4.7 W/cm²)								
D6SX3 to D60SX3	240	1500	27 ⁷ / ₈	(708.0)	D6X240	M	1.0	(0.5)
D6SX5 to D60SX5	480	1500	27 ⁷ / ₈	(708.0)	D6X480	M	1.0	(0.5)
D75SX3	240	1917	32 ⁷ / ₈	(835.0)	D75X240	M	1.0	(0.5)
D75SX5	480	1917	32 ⁷ / ₈	(835.0)	D75X480	M	1.0	(0.5)
D100SX5	480	2500	40 ³ / ₈	(1025.5)	D100X480	M	1.4	(0.7)
D125SX5	480	3167	49 ³ / ₈	(1254.1)	D125X480	M	1.7	(0.8)

- **M** - Manufacturing lead times

Air Heaters

Duct Heaters

LDH SERIES and D SERIES

Part Number

Stock Duct Part Number	Optional Terminal Enclosures	Optional Process Sensors	Sheath Limit Sensors

Stock Duct Part Number

Note: Catalog part numbers include optional enclosures. To order optional enclosures or sensors, substitute the appropriate suffix.

Optional Terminal Enclosures

S = General purpose enclosure

W = Moisture resistant enclosure

Note: Catalog listing is a general purpose enclosure. Substitute enclosure options are noted.

Optional Process Sensors

PJ = Type J process thermocouple in thermowell

PK = Type K process thermocouple in thermowell

Sheath Limit Sensors

HJ = Type J high-limit thermocouple

HK = Type K high-limit thermocouple

Example Part Number: D6SX10 S J HJ

Air Heaters

Duct Heaters

MDH SERIES

Watlow has developed a line of process air heaters offering improved performance and increased versatility in medium to low temperature applications.

The duct heaters are modular and consist of two parts. The first is a 6 kilowatt heater available in either 240 or 480 volts, single- or three-phase.

The second part of the heater consists of the electrical housing protecting each module's termination area and a main flange that bolts into the user's ductwork. The heater modules are installed in the housing and main flange via rectangular slots in the main flange. The range of modules that can be accommodated in various duct heater assemblies, range from 1-10 modules. A range of 6 to 60 kilowatts, in 6 kilowatt increments is achieved.

The new design of the modular duct heater offers increased reliability. The individual modules are removable through the housing of the assembly, which eliminates the need to pull the complete heater from the ductwork. This reduces downtime and costs because the heating elements can be replaced individually.

Performance improvements include quicker response time and reduced infiltration from the air stream being heated into the electrical enclosure.

Features and Benefits

Individual modules removable through housing

- Reduces downtime for replacement of module

Smaller diameter elements (0.315 inch)

- Results in a 25 percent lower energy usage on initial heat-up

27 percent reduction in heat-up time as compared to traditional 0.430 inch diameter duct heater elements

- Results in faster response time

31 percent lighter weight than traditional tubular duct heaters

- Reduces shipping costs and increases worker safety

Greater free cross sectional area

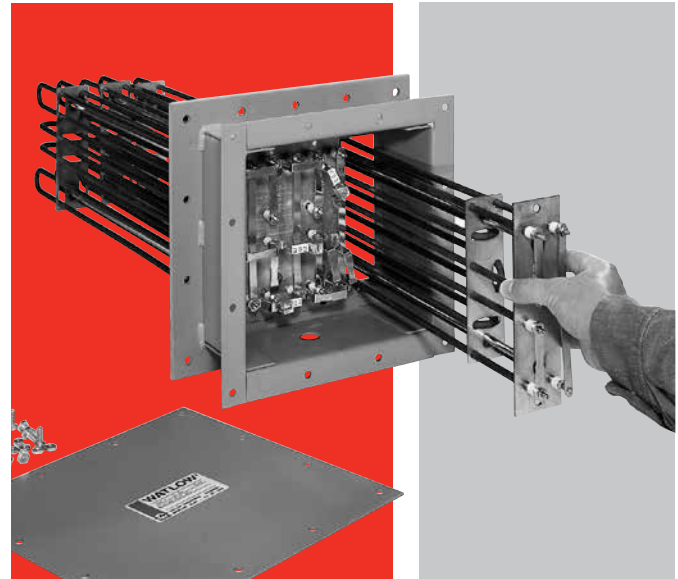
- Results in lower pressure drop

Improved seal between element and electrical housing

- Results in lower electrical housing temperature

Flexible module wiring

- Allows user to sequentially stage modules



Typical Applications

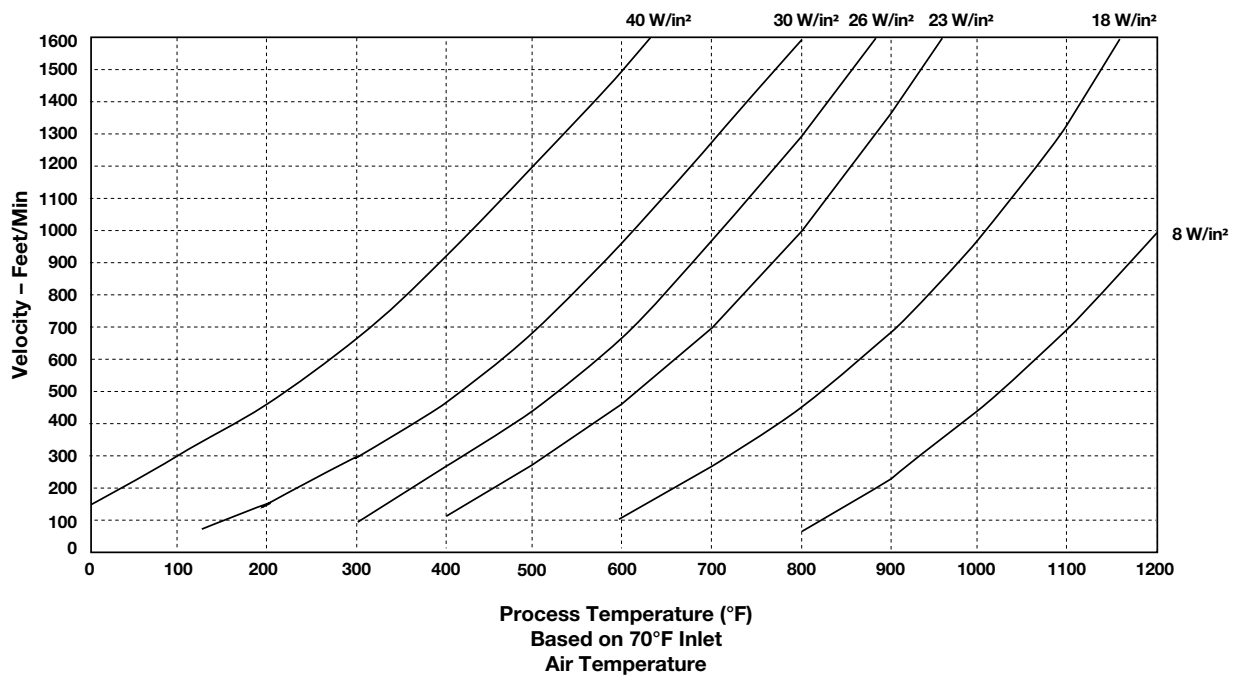
- Low temperature ovens
- Parts drying
- Semiconductor clean room environmental heating
- Plastic curing
- Load banks
- Heated air knives
- Food dehydration
- Heat shrink tunnels

Air Heaters

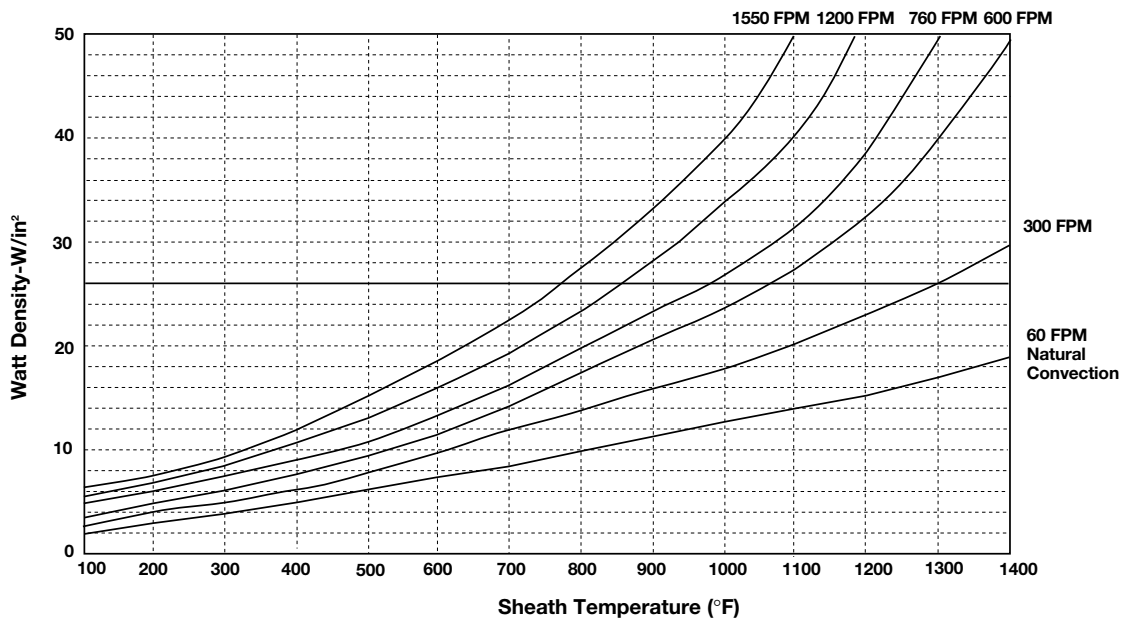
Duct Heaters

MDH SERIES

Velocity vs. Process Temperature



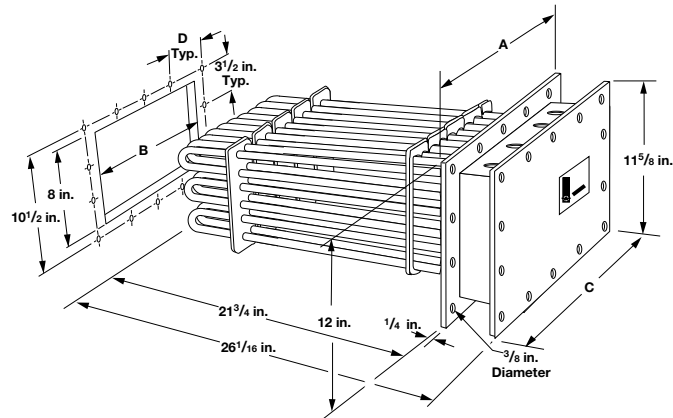
Watt Density vs. Sheath Temperature



Air Heaters

Duct Heaters

MDH SERIES



Application: Air Heating – Maximum outlet temperature – 750°F (399°C)

Watt Density W/in ²	kW	Volts	Phase	No. of Circuits	No. of Modules	Est. Shipping Wt. lbs	Del.	Part Number	Dimensions in.			
									A	B	C	D
26	6	240	1	1	1	35	M	MDH6S10	6.50	2.50	5.75	2.50
26	6	240	3	1	1	35	M	MDH6S3	6.50	2.50	5.75	2.50
26	6	480	1	1	1	35	M	MDH6S11	6.50	2.50	5.75	2.50
26	6	480	3	1	1	35	M	MDH6S5	6.50	2.50	5.75	2.50
26	12	240	1	2	2	39	M	MDH12S10	8.50	4.75	7.75	3.50
26	12	240	3	1	2	39	M	MDH12S3	8.50	4.75	7.75	3.50
26	12	480	1	1	2	39	M	MDH12S11	8.50	4.75	7.75	3.50
26	12	480	3	1	2	39	M	MDH12S5	8.50	4.75	7.75	3.50
26	18	240	1	3	3	46	M	MDH18S10	10.50	7.00	9.75	3.00
26	18	240	3	1	3	46	M	MDH18S3	10.50	7.00	9.75	3.00
26	18	480	1	1	3	46	M	MDH18S11	10.50	7.00	9.75	3.00
26	18	480	3	1	3	46	M	MDH18S5	10.50	7.00	9.75	3.00
26	24	240	1	4	4	67	M	MDH24S10	12.50	9.25	11.75	2.75
26	24	240	3	2	4	67	M	MDH24S3	12.50	9.25	11.75	2.75
26	24	480	1	2	4	67	M	MDH24S11	12.50	9.25	11.75	2.75
26	24	480	3	1	4	67	M	MDH24S5	12.50	9.25	11.75	2.75
26	30	240	3	2	5	84	M	MDH30S3	15.75	11.50	15.00	3.56
26	30	480	1	2	5	84	M	MDH30S11	15.75	11.50	15.00	3.56
26	30	480	3	1	5	84	M	MDH30S5	15.75	11.50	15.00	3.56
26	36	240	3	2	6	95	M	MDH36S3	18.00	13.75	17.25	4.13
26	36	480	1	2	6	95	M	MDH36S11	18.00	13.75	17.25	4.13
26	36	480	3	1	6	95	M	MDH36S5	18.00	13.75	17.25	4.13
26	42	240	3	3	7	109	M	MDH42S3	20.25	16.00	19.50	4.69
26	42	480	1	3	7	109	M	MDH42S11	20.25	16.00	19.50	4.69
26	42	480	3	2	7	109	M	MDH42S5	20.25	16.00	19.50	4.69
26	48	240	3	4	8	137	M	MDH48S3	22.50	18.25	21.75	5.25
26	48	480	1	3	8	137	M	MDH48S11	22.50	18.25	21.75	5.25
26	48	480	3	2	8	137	M	MDH48S5	22.50	18.25	21.75	5.25
26	54	240	3	3	9	144	M	MDH54S3	24.75	20.50	24.00	5.81
26	54	480	1	3	9	144	M	MDH54S11	24.75	20.50	24.00	5.81
26	54	480	3	2	9	144	M	MDH54S5	24.75	20.50	24.00	5.81
26	60	240	3	4	10	165	M	MDH60S3	27.00	22.75	26.25	6.38
26	60	480	1	4	10	165	M	MDH60S11	27.00	22.75	26.25	6.38
26	60	480	3	2	10	165	M	MDH60S5	27.00	22.75	26.25	6.38

• M - Manufacturing lead times

■ Truck Shipment only

Options include individual modules with optional general purpose housing, high-temperature thermocouple kit and blank flange modules.

Modular duct heaters with **1** and **2** modules have conduit openings for **one**, 1 inch NPT fitting.

Modular duct heaters with **3**, **4**, **5**, and **7** modules have conduit openings for **two**, 1 inch NPT fittings.

Modular duct heaters with **6**, **8**, **9**, and **10** modules have conduit openings for **two**, 1 1/4 inch NPT and **two**, 1 inch NPT fittings.

Air Heaters

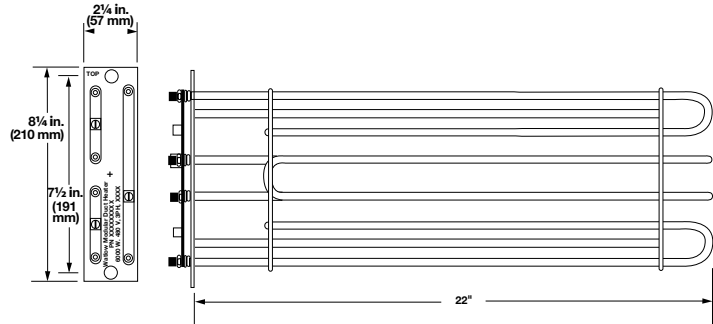
Duct Heaters

MDH SERIES

Individual Module Dimensions

Specifications

- Module rating - 240 or 480VAC, 6kW, three-phase or one-phase
- Watt density - 26 W/in²
- Elements - 0.315 inch dia. alloy 840 elements
- High-limit thermocouple installed by drilling premarked hole in flange
- 6-60kW range when mounted in duct heater assembly



Application Information

- Maximum sheath temperature = 1200°F (649°C)
- Maximum outlet temperature = 750°F (399°C)

Options

Terminal Enclosures

Terminal enclosures are available in general purpose and moisture resistant configurations.

High-Limit Thermocouples

High-limit thermocouples can be supplied on specified modules or shipped as a kit. Available thermocouples are Types J and K.

Blank Module Covers

Module covers are available for covering blank slots on the main flange. This allows for adding heater module at a later time to allow higher wattage outputs.

Watlow Part Number	Description
Replacement Modules	
M63	6kW, 240V, 3 phase
M610	6kW, 240V, 1 phase
M65	6kW, 480V, 3 phase
M611	6kW, 480V, 1 phase
High Limit Thermocouple Kits	
MTCJ	Type J (0-1000°F)
MTCK	Type K (0-2000°F)
Blank Module Covers	
MBLK	Cover slots in main flange

Air Heaters

Finned Heaters

375 Finned Strip Heaters

Watlow's 375 finned strip heater is constructed of highly-compacted magnesium oxide (MgO) based insulation, which conducts heat efficiently from the nickel chromium element wire to the sheath. Two-inch wide (51 mm) nickel plated fins are attached to maximize surface contact allowing heat to transfer into the air faster. Lower sheath temperature and element life are maximized by this finned construction.

Performance Capabilities

- Aluminized steel sheath temperatures up to 1100°F (595°C)
- Watt density up to 33 W/in² (5.1 W/cm²)
- UL® approved up to 240VAC (File No. E52951)
- CSA approved up to 480VAC (File No. LR7392)

Features and Benefits

Nickel chromium element wire is centered in the heater

- Ensures temperature uniformity

Aluminized steel sheath

- Operates at higher temperatures
- Resists corrosion more effectively than iron-sheathed heaters

Optional 430 stainless steel sheath

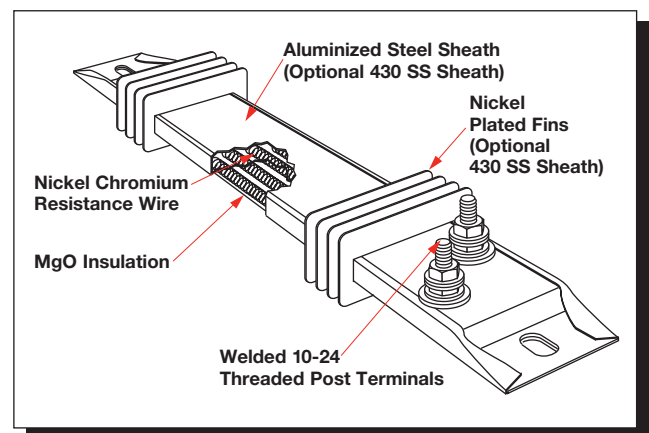
- Provides a durable solution for highly-corrosive environments

Welded post terminals

- Produces strong, trouble-free connections

Available lengths from 5¹/₂ to 48 in. (140 to 1220 mm)

- Fits a variety of application needs



Typical Applications

- Enclosure heating
- Load bank resistors
- Shrink tunnels
- Duct heaters
- Space heaters
- Drying ovens
- Incubators
- Air heating
- Heat curing
- Ink drying
- Food warmers
- Moisture protection
- Dehumidifiers
- Stress relieving ovens

Air Heaters

Finned Heaters

375 Finned Strip Heaters

Applications and Technical Data

Calculating Watt Density

Use the graph and formulas to ensure that the maximum allowable watt density for the heater is not exceeded in the application.

Open air watt density is calculated for the total heated surface area.

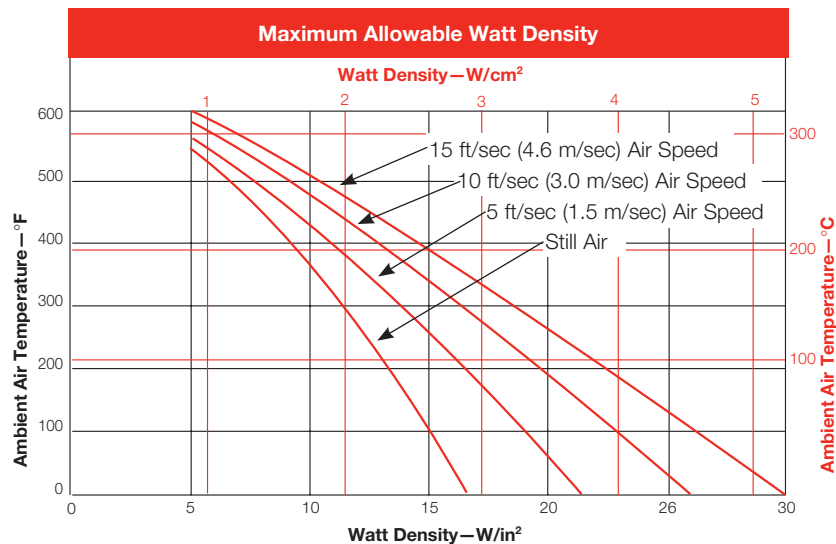
Formulas

$$\text{Watt Density} = \frac{\text{Wattage}}{\text{Heated Area}}$$

$$\begin{aligned} \text{Heated Area} \\ (\text{Offset Terminals}) &= [\text{Overall Length (A)} - 4 \text{ in.}] \\ &\quad \times 3.75 \text{ in.} \\ &= [\text{Overall Length (A)} - 102 \text{ mm}] \\ &\quad \times 95.3 \text{ mm} \end{aligned}$$

$$\begin{aligned} \text{Heated Area} \\ (\text{Parallel Terminals}) &= [\text{Overall Length (A)} - 3.12 \text{ in.}] \\ &\quad \times 3.75 \text{ in.} \\ &= [\text{Overall Length (A)} - 79.3 \text{ mm}] \\ &\quad \times 95.3 \text{ mm} \end{aligned}$$

$$\begin{aligned} \text{Heated Area} \\ (\text{One-on-One Terminals}) &= [\text{Overall Length (A)} - 4.25 \text{ in.}] \\ &\quad \times 3.75 \text{ in.} \\ &= [\text{Overall Length (A)} - 108 \text{ mm}] \\ &\quad \times 95.3 \text{ mm} \end{aligned}$$



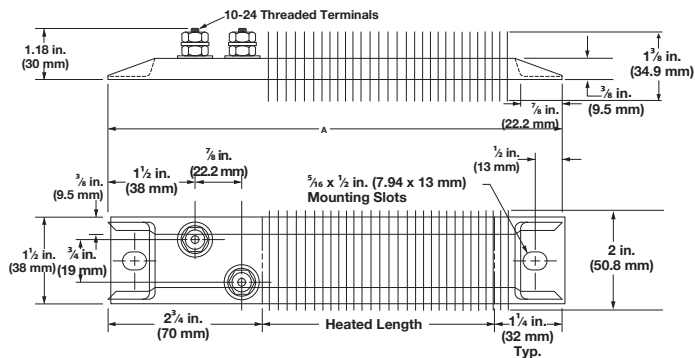
Air Heaters

Finned Heaters

375 Finned Strip Heaters

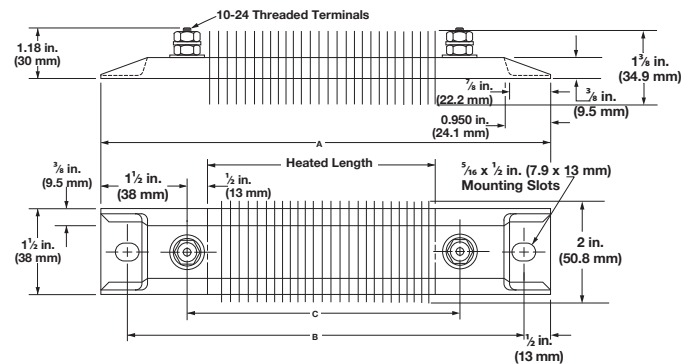
Termination Options

Offset Terminals



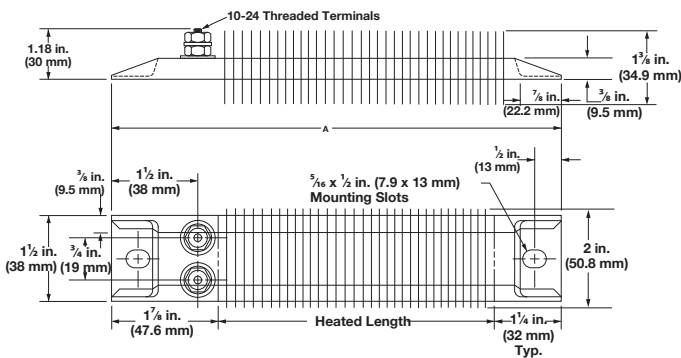
Two 10-24 threaded post terminals are offset from each other on the same end.

One-on-One Terminals



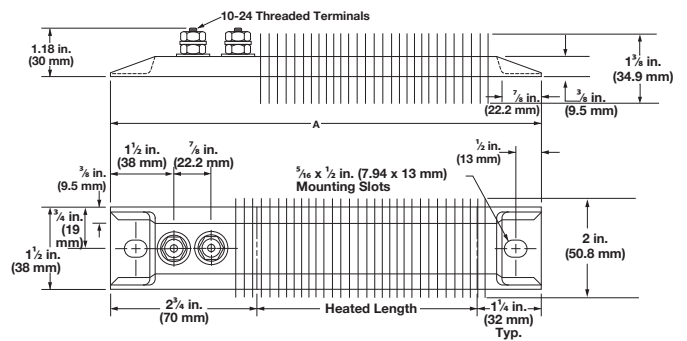
Two 10-24 threaded post terminals are placed one on each end.

Parallel Terminals



Two 10-24 threaded post terminals are used; both terminals on one end.

In-Line Terminals



Two 10-24 threaded post terminals are in-line with each other on the same end.

Air Heaters

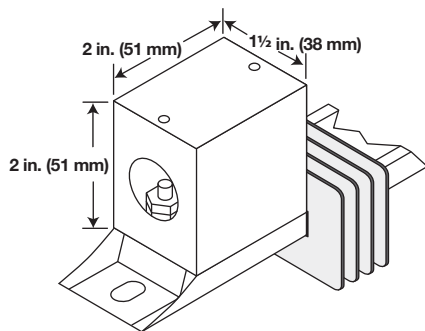
Finned Heaters

375 Finned Strip Heaters

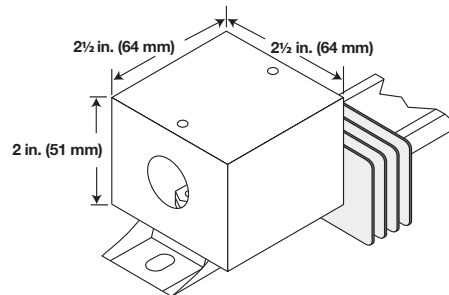
Termination Options *(Continued)*

Metallic Terminal Boxes - Variations

Metallic terminal boxes are available from stock on offset terminals. Terminal boxes act as a safety feature by covering the terminals. A conduit may be attached to the box through $\frac{7}{8}$ in. (22.2 mm) diameter holes in the ends of the box. To order, specify **terminal box**.



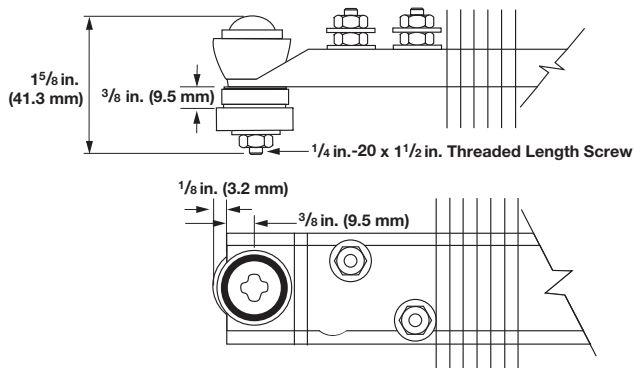
Available on in-line terminals only.



Available on offset terminals from stock and manufactured.

Accessories

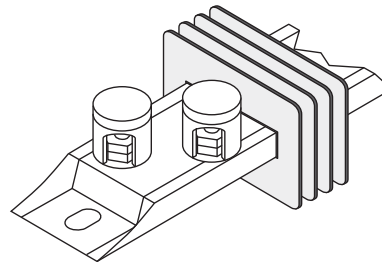
Secondary Insulation Bushings



Insulators are suitable when air heating and/or voltage to ground is a concern. A secondary insulation bushing kit, part number **Z-5230**, contains one set of bushings for one heater. To accommodate bushings, $\frac{17}{32} \times \frac{11}{16}$ inch diameter mounting holes **must** be specified when ordering.

Note: Number of fins are dependent on length of heater.

Ceramic Terminal Covers



Ceramic terminal covers offer a convenient and economical method to insulate post terminals. A 10-24 screw thread is sized for standard length posts and is supplied as an accessory item and shipped separately. Specify **Z-4918** and quantity.

Air Heaters

Finned Heaters

375 Finned Strip Heaters

Heater Part Numbers

Width in. (mm)	Termination	Length in. (mm)	Volts	Power (Watts)	W/in ² (W/cm ²)	Approx. Net Wt. lbs (kg)	Delivery	Part Number
1 1/2 (38)	Parallel	5 1/2 (140)	120	125	14 (2.1)	0.5 (0.23)	RS	SGA1J5JY2
	Parallel	5 1/2 (140)	120	250	28 (4.3)	0.5 (0.23)	RS	SGA1J5JY3
	Parallel	6 (152)	120	150	14 (2.1)	0.5 (0.23)	RS	SGA1J6AY1
	Parallel	6 (152)	240	150	14 (2.1)	0.5 (0.23)	RS	SGA1J6AY2
	Parallel	6 (152)	120	300	28 (4.3)	0.5 (0.23)	RS	SGA1J6AY3
	Parallel	6 (152)	240	300	28 (4.3)	0.5 (0.23)	RS	SGA1J6AY4
	Offset	7 1/2 (191)	120	150	12 (1.8)	0.7 (0.32)	M	SGA1J7JW1
	Offset	7 1/2 (191)	240	150	12 (1.8)	0.7 (0.32)	M	SGA1J7JW2
	Offset	7 1/2 (191)	240	200	15 (2.3)	0.7 (0.32)	M	SGA1J7JW3
	Offset	8 (203)	120	150	10 (1.5)	0.7 (0.32)	RS	SGA1J8AW2
	Offset	8 (203)	240	150	10 (1.5)	0.7 (0.32)	RS	SGA1J8AW3
	Offset	8 (203)	120	175	12 (1.8)	0.7 (0.32)	RS	SGA1J8AW4
	Offset	8 (203)	240	175	12 (1.8)	0.7 (0.32)	M	SGA1J8AW5
	Offset	8 (203)	120	250	17 (2.6)	0.7 (0.32)	RS	SGA1J8AW6
	Offset	8 (203)	240	250	17 (2.6)	0.7 (0.32)	RS	SGA1J8AW7
	Offset	8 (203)	120	400	27 (4.2)	0.7 (0.32)	M	SGA1J8AW8
	Offset	8 (203)	240	400	27 (4.2)	0.7 (0.32)	M	SGA1J8AW9
	Offset	8 (203)	120	500	33 (5.1)	0.7 (0.32)	RS	SGA1J8AW10
	Offset	8 (203)	240	500	33 (5.1)	0.7 (0.32)	RS	SGA1J8AW11
	Offset	10 1/2 (267)	120	250	10 (1.5)	0.9 (0.40)	M	SGA1J10JW1
	Offset	10 1/2 (267)	240	250	10 (1.5)	0.9 (0.40)	M	SGA1J10JW2
	Offset	10 1/2 (267)	120	350	14 (2.1)	0.9 (0.40)	RS	SGA1J10JW3
	Offset	10 1/2 (267)	240	350	14 (2.1)	0.9 (0.40)	M	SGA1J10JW4
	Offset	10 1/2 (267)	120	400	16 (2.5)	0.9 (0.40)	RS	SGA1J10JW5
	Offset	10 1/2 (267)	240	400	16 (2.5)	0.9 (0.40)	RS	SGA1J10JW6
	Offset	12 (305)	120	250	8 (1.2)	1.0 (0.45)	RS	SGA1J12AW1
	Offset	12 (305)	240	250	8 (1.2)	1.0 (0.45)	RS	SGA1J12AW2
	Offset	12 (305)	120	350	12 (1.8)	1.0 (0.45)	RS	SGA1J12AW3
	Offset	12 (305)	240	350	12 (1.8)	1.0 (0.45)	M	SGA1J12AW4
	Offset	12 (305)	120	500	17 (2.6)	1.0 (0.45)	RS	SGA1J12AW5
	Offset	12 (305)	240	500	17 (2.6)	1.0 (0.45)	RS	SGA1J12AW6
	Offset	14 (356)	120	300	8 (1.2)	1.2 (0.54)	M	SGA1J14AW1
Offset	14 (356)	240	300	8 (1.2)	1.2 (0.54)	M	SGA1J14AW2	
Offset	14 (356)	120	500	13 (2.0)	1.2 (0.54)	M	SGA1J14AW3	
Offset	14 (356)	240	500	13 (2.0)	1.2 (0.54)	M	SGA1J14AW4	
Offset	15 1/4 (387)	120	325	8 (1.2)	1.4 (0.64)	M	SGA1J15EW1	
Offset	15 1/4 (387)	240	325	8 (1.2)	1.4 (0.64)	M	SGA1J15EW2	
Offset	15 1/4 (387)	240	500	12 (1.8)	1.4 (0.64)	RS	SGA1J15EW3	

CONTINUED

Note: 375 finned strip heaters with one-on-one terminations are available as a manufactured item only. Please contact your Watlow representative for additional information.

Note: Above heaters are modified stock and may not be returned for a restocking charge.

Note: 5/16 x 1/2 in. (7.9 x 13 mm) mounting slots are supplied on all 375 finned strip heaters.

RAPID SHIP

- **RS** - Next day shipment up to 10 pieces
- **M** - Manufacturing lead times

Air Heaters

Finned Heaters

375 Finned Strip Heaters

Heater Part Numbers (Continued)

Width in. (mm)	Termination	Length in. (mm)	Volts	Power (Watts)	W/in ² (W/cm ²)	Approx. Net Wt. lbs (kg)	Delivery	Part Number
1 1/2 (38)	Offset	17 7/8 (454)	120	350	8 (1.2)	1.6 (0.73)	M	SGA1J17RW1
	Offset	17 7/8 (454)	240	350	8 (1.2)	1.6 (0.73)	M	SGA1J17RW2
	Offset	17 7/8 (454)	120	375	9 (1.4)	1.6 (0.73)	M	SGA1J17RW3
	Offset	17 7/8 (454)	240	375	9 (1.4)	1.6 (0.73)	M	SGA1J17RW4
	Offset	17 7/8 (454)	120	500	12 (1.8)	1.6 (0.73)	M	SGA1J17RW5
	Offset	17 7/8 (454)	240	500	12 (1.8)	1.6 (0.73)	RS	SGA1J17RW6
	Offset	17 7/8 (454)	120	750	18 (2.8)	1.6 (0.73)	RS	SGA1J17RW7
	Offset	17 7/8 (454)	240	750	18 (2.8)	1.6 (0.73)	RS	SGA1J17RW8
	Offset	17 7/8 (454)	120	1000	24 (3.7)	1.6 (0.73)	M	SGA1J17RW9
	Offset	17 7/8 (454)	240	1000	24 (3.7)	1.6 (0.73)	RS	SGA1J17RW10
	Offset	19 1/2 (495)	240	350	6 (.9)	1.7 (0.77)	M	SGA1J19JW2
	Offset	19 1/2 (495)	120	500	9 (1.4)	1.7 (0.77)	M	SGA1J19JW3
	Offset	19 1/2 (495)	240	500	9 (1.4)	1.7 (0.77)	M	SGA1J19JW4
	Offset	19 1/2 (495)	240	750	13 (2.0)	1.7 (0.77)	RS	SGA1J19JW5
	Offset	19 1/2 (495)	240	1000	17 (2.6)	1.7 (0.77)	RS	SGA1J19JW6
	Offset	21 (533)	120	500	8 (1.2)	1.9 (0.86)	M	SGA1J21AW3
	Offset	21 (533)	240	500	8 (1.2)	1.9 (0.86)	M	SGA1J21AW4
	Offset	21 (533)	120	750	12 (1.8)	1.9 (0.86)	M	SGA1J21AW5
	Offset	21 (533)	240	750	12 (1.8)	1.9 (0.86)	RS	SGA1J21AW6
	Offset	23 3/4 (603)	240	500	7 (1.0)	2.1 (0.95)	M	SGA1J23NW3
	Offset	23 3/4 (603)	240	750	10 (1.5)	2.1 (0.95)	M	SGA1J23NW5
	Offset	23 3/4 (603)	120	1000	14 (2.1)	2.1 (0.95)	M	SGA1J23NW6
	Offset	23 3/4 (603)	240	1000	14 (2.1)	2.1 (0.95)	M	SGA1J23NW7
	Offset	23 3/4 (603)	240	1500	20 (3.1)	2.1 (0.95)	RS	SGA1J23NW8
	Offset	25 1/2 (648)	120	500	6 (0.9)	2.3 (1.00)	M	SGA1J25JW2
	Offset	25 1/2 (648)	240	500	6 (0.9)	2.3 (1.00)	M	SGA1J25JW3
	Offset	25 1/2 (648)	120	750	9 (1.4)	2.3 (1.00)	M	SGA1J25JW4
	Offset	25 1/2 (648)	240	750	9 (1.4)	2.3 (1.00)	RS	SGA1J25JW5
	Offset	25 1/2 (648)	240	1000	12 (1.8)	2.3 (1.00)	RS	SGA1J25JW6
	Offset	26 3/4 (680)	240	700	8 (1.2)	2.4 (1.10)	M	SGA1J26NW2
	Offset	26 3/4 (680)	240	1000	12 (1.8)	2.4 (1.10)	RS	SGA1J26NW3
	Offset	30 1/2 (775)	120	750	8 (1.2)	2.7 (1.20)	M	SGA1J30JW1
	Offset	30 1/2 (775)	240	750	8 (1.2)	2.7 (1.20)	M	SGA1J30JW2
	Offset	33 1/2 (851)	240	750	7 (1.0)	3.0 (1.40)	M	SGA1J33JW1
	Offset	35 7/8 (911)	120	1000	8 (1.2)	3.2 (1.50)	M	SGA1J35RW1
	Offset	35 7/8 (911)	240	1000	8 (1.2)	3.2 (1.50)	M	SGA1J35RW2
	Offset	35 7/8 (911)	240	1500	13 (2.0)	3.2 (1.50)	M	SGA1J35RW3
	Offset	38 1/2 (978)	120	1000	8 (1.2)	3.4 (1.50)	M	SGA1J38JW2
	Offset	38 1/2 (978)	240	1500	11 (1.7)	3.4 (1.50)	M	SGA1J38JW3
	Offset	42 1/2 (1080)	240	1500	10 (1.5)	3.8 (1.70)	RS	SGA1J42JW1
Offset	47 7/8 (1216)	240	2250	16 (2.4)	4.3 (2.00)	RS	SGA1J47RW2	

Note: 375 finned strip heaters with one-on-one terminations are available as a manufactured item only. Please contact your Watlow representative for additional information.

Note: Above heaters are modified stock and may not be returned for a restocking charge.

Note: 5/16 x 1/2 in. (7.9 x 13 mm) mounting slots are supplied on all 375 finned strip heaters.



• **RS** - Next day shipment
up to 10 pieces

• **M** - Manufacturing lead times

Air Heaters

Finned Heaters

FINBAR™ Single-Ended Heaters

Composed of aluminized steel fins press fitted to a one-inch single-ended FIREBAR element. The FINBAR™ is designed to improve heat transfer to the air and permits putting more power in tighter spaces—like forced air ducts, dryers, ovens and load bank resistors.

Heat transfer, lower sheath temperature and element life are all maximized by its finned construction. Installation is simplified by terminations exiting at one end and mounting accommodations on both ends.

Performance Capabilities

- Watt densities up to 50 W/in² (7.7 W/cm²)
- 304 stainless steel sheath temperatures up to 1200°F (650°C)
- Voltages up to 480VAC
- Amperages up to 48 amperes per heater or 16 amperes per coil

Features and Benefits

Rugged aluminized steel fins

- Provides an increase in surface area to approximately 16 square inches for every linear inch of element length. Fins press fitted to the heating element improve heat transfer to the air

Single-ended termination

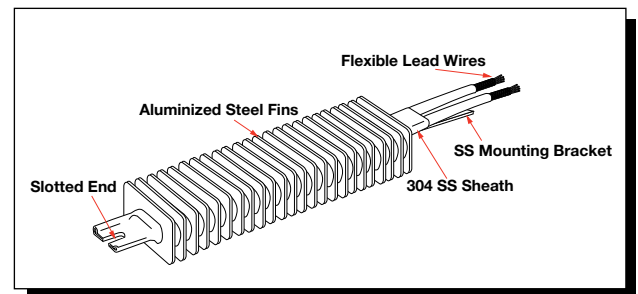
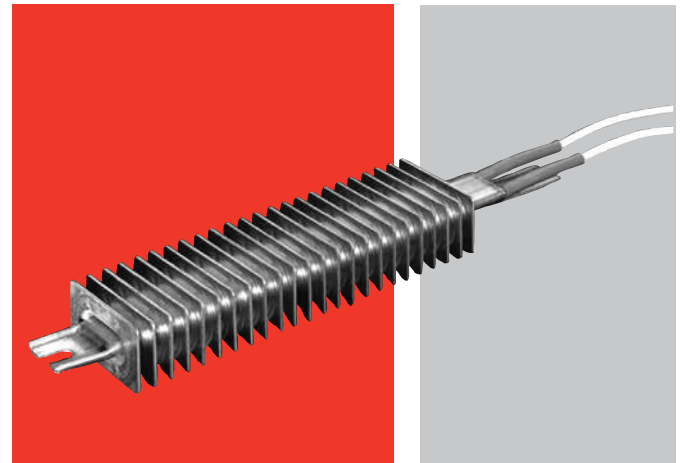
- Simplifies wiring and installation

Stainless steel mounting bracket, welded to the terminal end, supplied with a slotted end

- Allows ease of installation

Lavacone seals

- Provides protection against humid storage conditions, moisture retardant to 221°F (105°C)



Typical Applications

- Forced air heating for dryers, ovens, ducts
- Still air heating for ovens, comfort heating
- Incubators
- Ink drying
- Load bank resistors

**For detailed product and technical data,
see the full FINBAR product
section located on pages 112 through 114.**

Air Heaters

FIREROD® Cartridge Heaters

The Watlow® FIREROD® cartridge heater incorporates engineering excellence and is supported by almost 60 years of solid industry performance across a broad range of simple and complex applications. As the premier choice in swaged cartridge heating, thousands of industrial manufacturers continue to choose Watlow as their trusted thermal partner and certified cartridge heater supplier.

Built using premium materials and tight manufacturing controls, the FIREROD heater provides superior heat transfer, uniform temperatures, resistance to oxidation and corrosion and a long life even at high temperatures. Every system component that leaves our manufacturing facilities meets our strict quality assurance specifications, in addition to those set forth by leading standards and regulating industries.

FIREROD offers many delivery programs to meet your needs.

Performance Capabilities

- Part temperatures up to 1400°F (760°C) on alloy 800 sheath
- Watt density dependent on flow rate and orientation of the heater
- Maximum voltage up to 480V

Features and Benefits

Nickel-chromium resistance wire

- Ensures even and efficient distribution of heat to the sheath

Conductor pins

- Provide a metallurgical bond to the resistance wire
- Ensure a trouble-free electrical connection

Magnesium oxide insulation of specific grain and purity

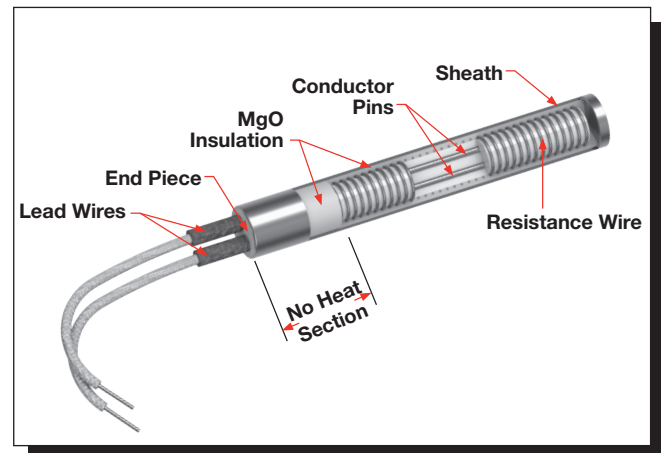
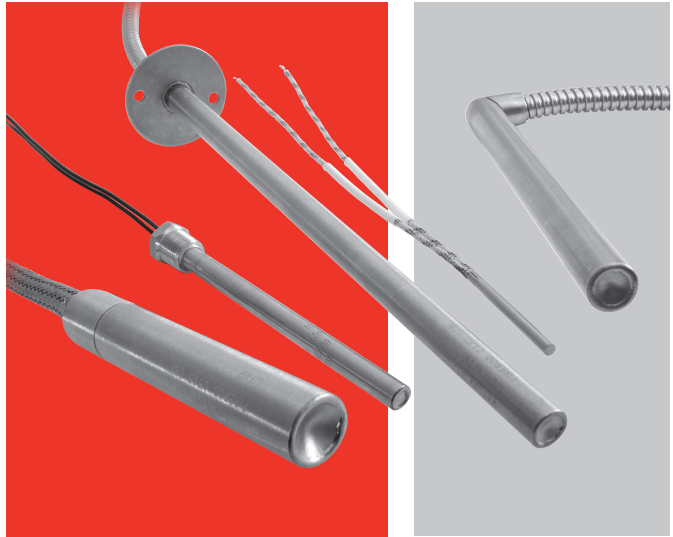
- Results in high dielectric strength and contributes to faster heat-up

Alloy 800 sheath

- Resists oxidation and corrosion from heat, many chemicals and atmospheres

Minimal spacing between the element wire and sheath

- Results in lower internal temperature
- Accommodates a design with fewer or smaller heaters



operating at higher watt densities

International Organization for Standardization (ISO) 9001 certified

- Provides confidence that quality and reliability expectations are met

UL® and CSA approved flexible stranded wires

- Lead insulation rated to temperatures up to 480°F (250°C)

Patented lead adapter (LA) method

- Allows same day shipment on more than 150,000 configurations of stock FIREROD heaters and lead combinations

**For detailed product and technical data,
see the full FIREROD product
section located on pages 11 through 47.**

Air Heaters

Enclosure Heaters

WATROD Heaters

Technical Information

Watts	Watt Density		Part Number		Delivery	Est. Net Wt.	
	W/in ²	(W/cm ²)	125VAC	250VAC		lbs	(kg)
95	4	(0.6)	EN951		RS	1.5	(0.7)
100	4	(0.6)		EN10010	RS	1.5	(0.7)
250	10	(1.6)	EN2501	EN25010	RS	1.5	(0.7)
375	15	(2.3)	EN3751	EN37510	RS	1.5	(0.7)

RAPID SHIP

- **RS** - Next day shipment up to 5 pieces

Air Heaters

Enclosure Heaters

Silicone Rubber Heaters

Designed for freeze and condensation protection, Watlow's enclosure heaters are rugged, reliable and safe to operate. These rectangular-shaped, wire-wound silicone rubber heaters can be ordered individually with adhesive or vulcanized to an aluminum mounting plate. A thermostat can be attached to the heater or mounted separately as shown.

Performance Capabilities

- Watt density rating of 5 W/in² (0.8 W/cm²)
- Temperature up to 150°F (66°C)

Features and Benefits

Pressure-sensitive adhesive mounting to an aluminum plate or customer cementing

- Reduces installation time
- Creates easy installation

Several standard thermostat set points

- Ensures protection against freezing with minimal energy consumption

Variety of installation options

- Provide the option to utilize cement installation to ensure permanent heater attachment
- The pressure sensitive adhesive installation option saves assembly time
- Facilitate assembly and disassembly with factory installed aluminum plate mount

Remote thermostat option

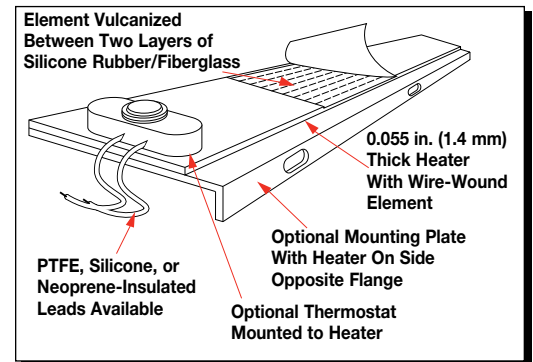
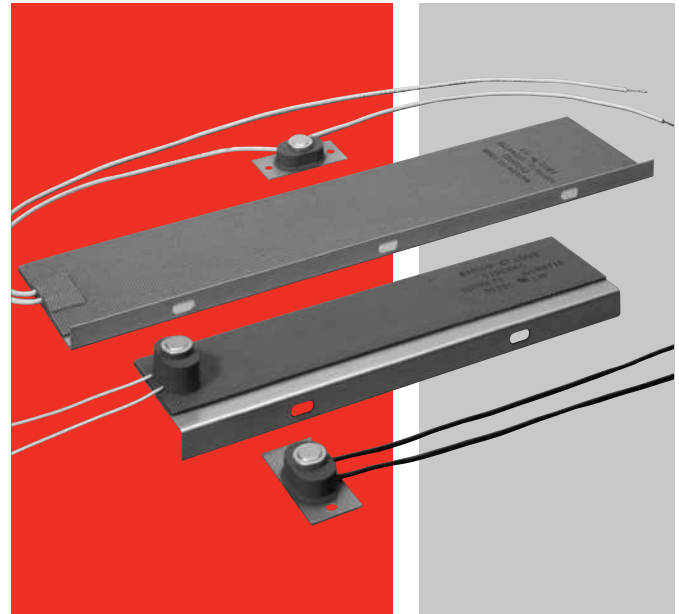
- Provides optimal choice of heater location versus temperature control location

Lead options

- Allows for a variety of applications
- Allows different lead lengths for a variety of wiring requirements

Factory pre-wired heater and thermostat

- Ensures safety and reliability as there are no exposed electrical connections



Typical Applications

Freeze or condensation prevention in housings containing electronic equipment including:

- Traffic signal boxes
- Automated teller machines
- Temperature control panels
- Gas or liquid control valve housings

Air Heaters

Enclosure Heaters

Silicone Rubber Heaters

Technical Data

Determining Minimum Wattage Requirements For Enclosures

This chart is an excellent guide for determining total wattage requirements for both insulated and uninsulated enclosures, assuming the box is relatively airtight.

For windy conditions, add an additional 50 percent to the wattage requirement listed.

		Total Enclosure Surface Area — Square Feet (Square Meters)													
		2 (0.2)	3 (0.3)	4 (0.4)	5 (0.5)	6 (0.6)	7.5 (0.7)	9 (0.8)	10 (0.9)	15 (1.4)	20 (1.9)	25 (2.3)	30 (2.8)	40 (3.7)	50 (4.7)
Temperature Rise from Ambient °F (°C)	20 (11)	30	40	55	70	80	100	120	135	205	270	335	405	540	670
		10	10	15	20	20	25	30	35	50	65	80	100	130	160
	40 (22)	55	80	110	135	160	200	245	270	405	540	670	805	1075	1340
		15	20	30	35	40	50	60	65	100	130	160	195	260	320
	60 (33)	90	120	160	205	245	300	365	405	605	805	1005	1210	1610	2010
		20	30	55	50	60	75	90	100	145	195	240	290	385	480
	80 (44)	110	160	215	270	325	400	485	540	805	1075	1340	1610	2145	2680
		30	40	55	65	80	100	115	130	195	260	320	385	515	640
	100 (56)	135	200	270	335	405	500	605	670	1005	1340	1675	2010	2680	3350
		35	50	65	80	100	125	145	160	240	320	400	480	640	800
	120 (67)	165	240	320	405	485	600	725	805	1210	1610	2010	2415	3220	4020
		40	60	80	100	115	150	175	195	290	385	480	580	770	960
	140 (78)	190	280	375	470	565	700	845	940	1410	1880	2345	2815	3755	4690
		45	70	90	115	135	175	205	225	340	450	560	675	900	1120

□ Uninsulated boxes □ Insulated boxes

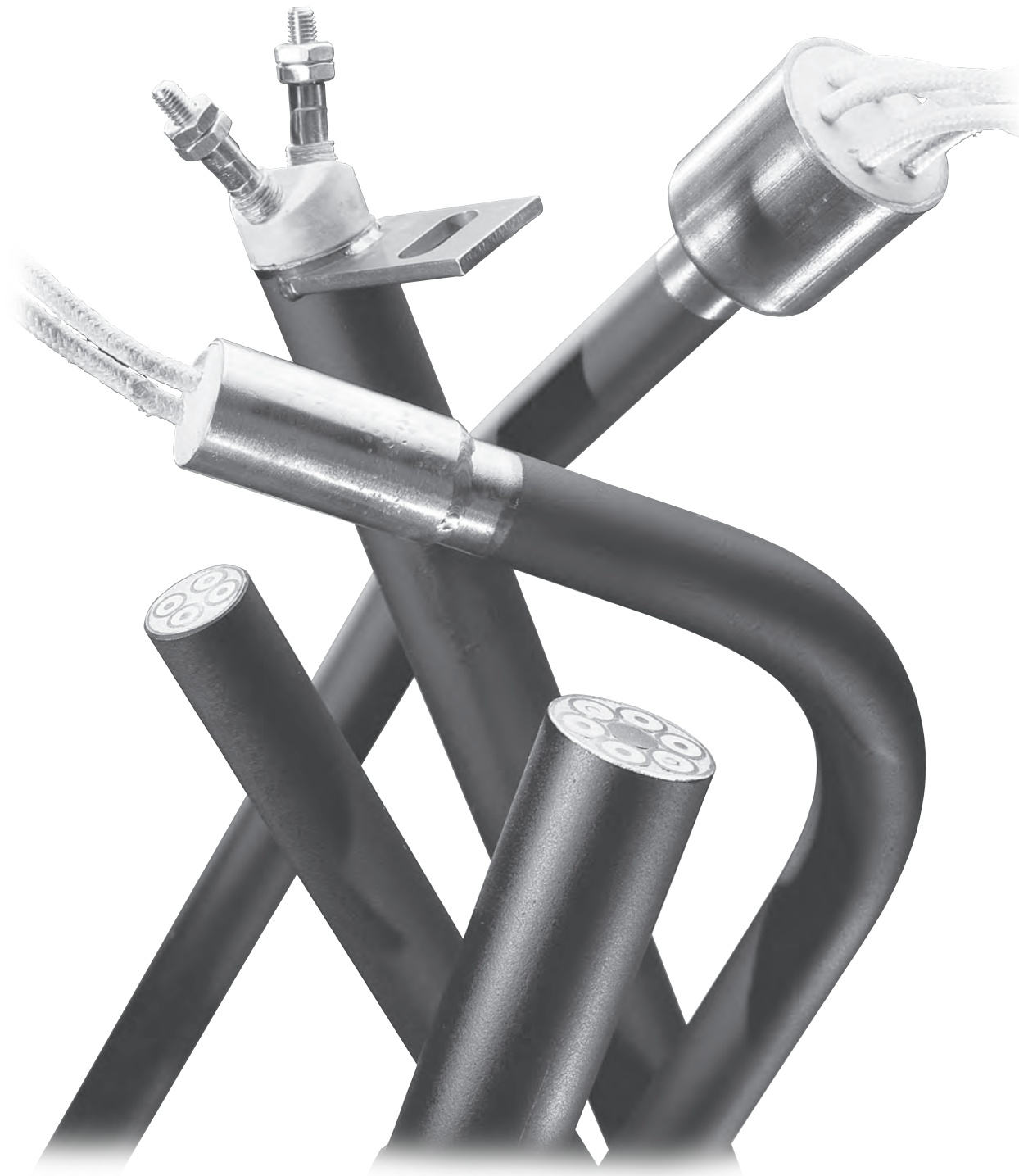
Silicone Rubber Enclosure Heaters Offering

For a complete list of silicone rubber product offerings available for use as an enclosure heater with a thermostat, please refer to the RAPID SHIP offering on page 125.



High-Temperature Heaters

High-Temperature Heaters	Sheath Materials	Max. Operating Temperatures		Typical Max. Watt Densities		Page
		°F	°C	W/in ²	W/cm ²	
MULTICELL™	Alloy 800	2050	1120	30	4.6	425
High-Temperature FIREROD®	Platen	1800	982	100	15.5	431
High-Temperature Tubular	Alloy 800	1800	983	30	4.6	432
Ceramic Fiber	Ceramic fiber	2200	1204	30	4.6	433



High-Temperature Heaters



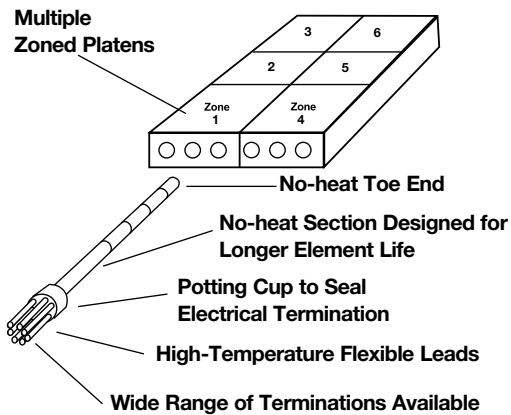
High-Temperature Heaters

MULTICELL™ Heaters

The advanced design of the MULTICELL™ insertion heater from Watlow® offers three major advantages: extreme process temperature capability, independent zone control for precise temperature uniformity and loose fit design for easy insertion and removal.

Performance Capabilities

- Engineered to achieve sheath temperatures up to 2050°F (1120°C)
- Up to six independently controllable zones



Features and Benefits

Multiple, independently controllable zones

- Allows process temperature uniformity not possible with any other single-sheathed heater

Radiant design of heater

- Allows for loose insertion in boiling holes and piping holes
- Permits easy removal and replacement with minimal down time since it will not bind or seize in the hole

Oxidized sheath

- Provides high emissivity and improves the heater's performance as oxidation increases

Individual metal-sheathed coils swaged into a larger, high-temperature alloy outer sheath

- Provides maximum protection against element burnout through the outer sheath

Quick disconnect plug and jack

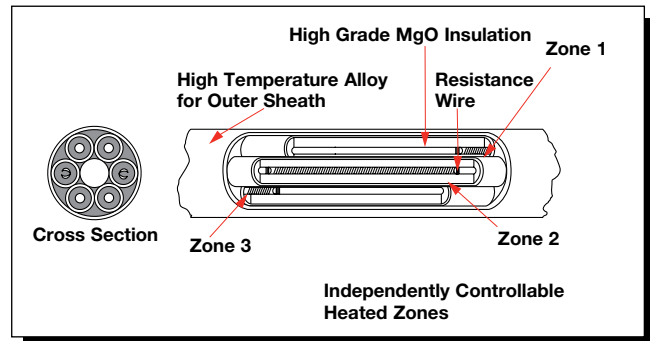
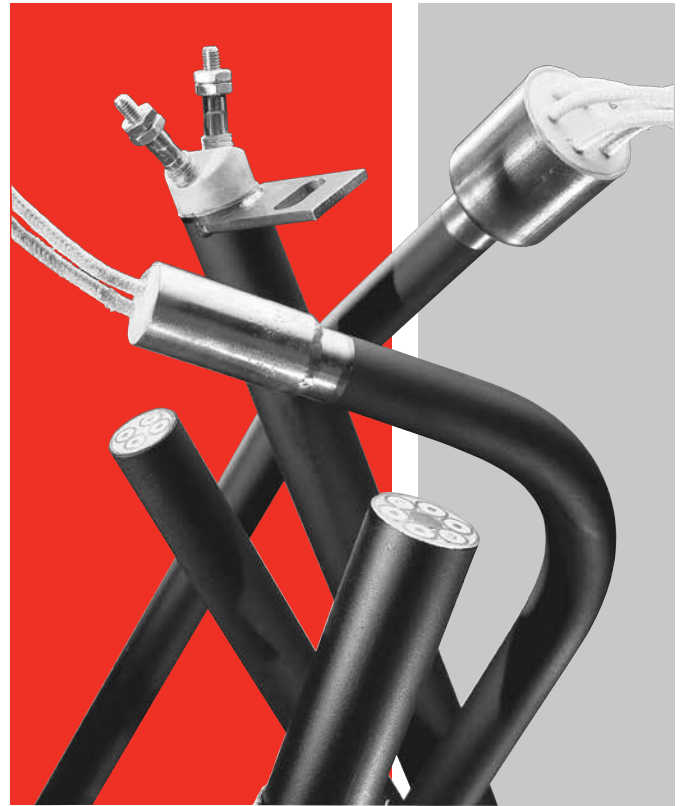
- Permits fast replacement of individual elements while the press stays at operating temperature

Special bending capabilities

- Solves unusual machinery needs and keeps leads away from heated zones

Flexible leads up to 842°F (450°C)

- Protects termination from high temperature environment



Typical Applications

- Hot isothermal forming
- Soil remediation
- Hot forging dies
- Heated platens
- Super plastic forming
- Heated platens (single and multiple zones)
- Heat treating processes
- Super plastic forming with diffusion bonding
- Polysilicon ingots
- Hot gas generation
- Hazardous waste treatment systems

High-Temperature Heaters

MULTICELL Heaters

Applications and Technical Data

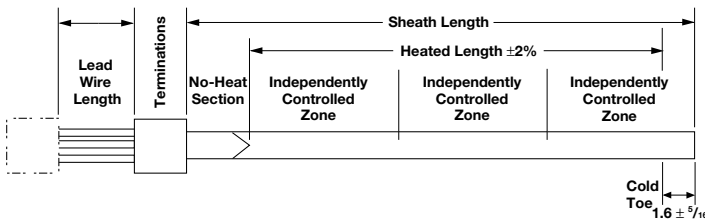
Definition of Terms

Cold Toe: A physical minimum requirement of $1\frac{5}{8} \pm \frac{5}{16}$ inch

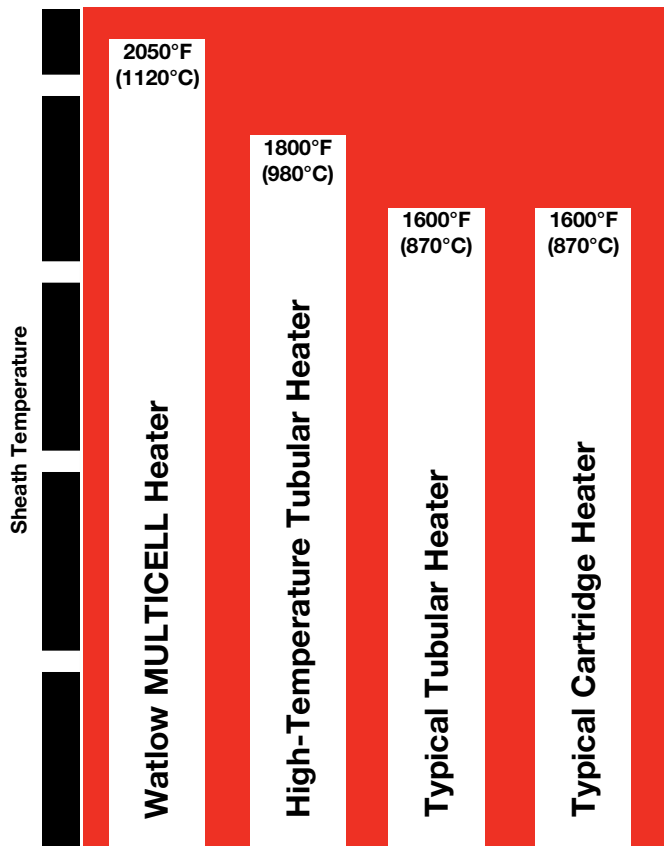
Independent Zone: Up to three, separately controlled zones, which can be of varying lengths and wattages

Heated Length: The combined sum of all independent zones

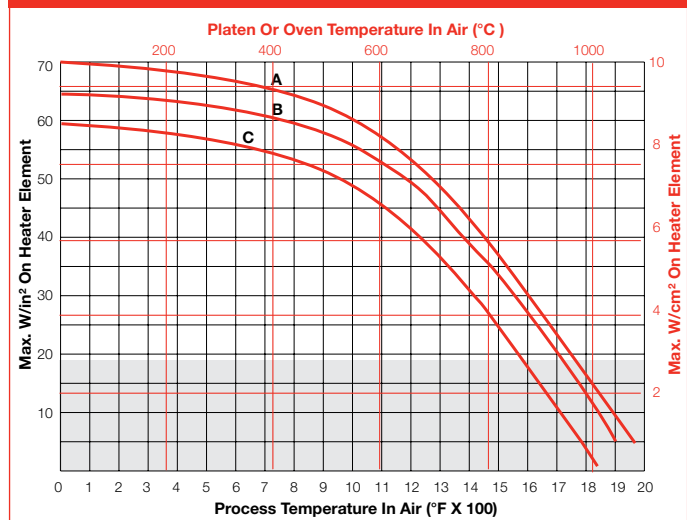
Wattage: Ratings are the combined sum of all independent zones



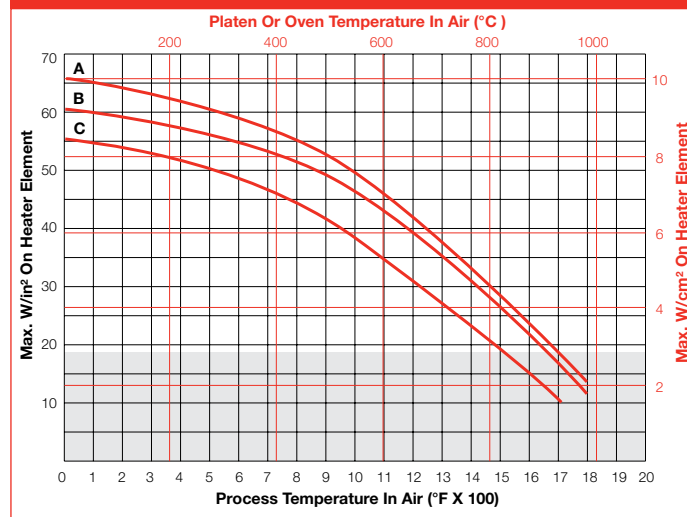
MULTICELL Heaters: The High Temperature Choice



Maximum Allowable Watt Density Single Zone ①



Maximum Allowable Watt Density Three Zone ①



A = 6 cell, 0.935 in. diameter, 240VAC, 3-phase
 B = 6 cell, 0.685 in. diameter, 240VAC, 3-phase
 C = 6 cell, 0.935 in. diameter, 480VAC, 3-phase

Note: Shaded area represents the Watlow offering, non-shaded area contact your Watlow representative.

① Other designs and voltages with higher temperature capabilities are available. Contact your Watlow representative.

High-Temperature Heaters

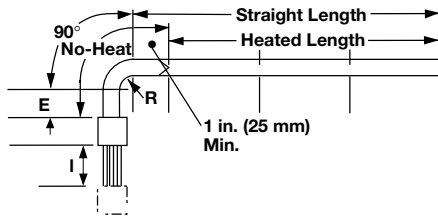
MULTICELL Heaters

Applications and Technical Data (Continued)

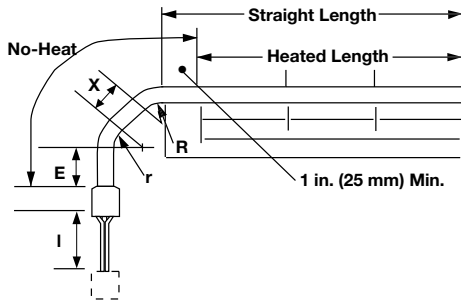
Physical Design Parameters

All bending of a MULTICELL heater is restricted to the cold area of the heater. All bend radii points must be 1 in. (25 mm) from the hot/cold junction.

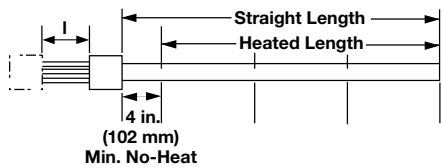
“L”



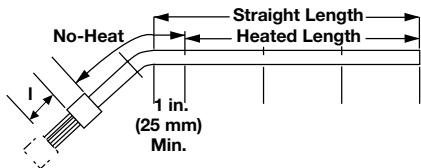
Droop



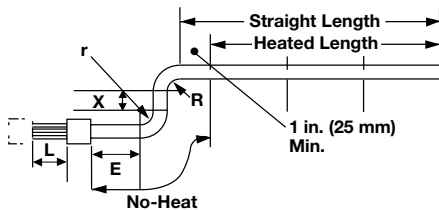
Straight



Angle



Crank



0.935 Inch Diameter MULTICELL Heater

Diameter in.	Bending Style	Sheath Length		Min. No-Heat Length		Total Heated Length	
		Min./Max. in. (mm)	in. (mm)	in. (mm)	in. (mm)		
0.935	Straight	14	(356)	Contact Watlow	6	(152)	
		225	(5715)	Contact Watlow	160	(4064)	
0.935	Angle	17	(432)	Contact Watlow	6	(152)	
		225	(5715)	Contact Watlow	172 ¹ / ₂	(4382)	
0.935	L	18	(457)	Contact Watlow	6	(152)	
		225	(5715)	Contact Watlow	170 ¹ / ₄	(4324)	
0.935	Crank	23	(584)	Contact Watlow	6	(152)	
		225	(5715)	Contact Watlow	163	(4140)	
0.935	Droop	18	(457)	Contact Watlow	6	(152)	
		225	(5715)	Contact Watlow	168	(4267)	

Symbol	E	r	X	R	I
Min. Length in. (mm)	4 (102)	2 ¹ / ₂ (38)	1 ¹ / ₂ (38)	2 ¹ / ₂ (38)	12 (305)

Zones	1	2	3
Min. Heated in. (mm)	6 (152)	6 (152)	6 (152)

0.685 Inch Diameter MULTICELL Heater

Diameter in.	Bending Style	Sheath Length		Min. No-Heat Length		Total Heated Length	
		Min./Max. in. (mm)	in. (mm)	in. (mm)	in. (mm)		
0.685	Straight	14	(356)	Contact Watlow	6	(152)	
		225	(5715)	Contact Watlow	178	(4521)	
0.685	Angle	17	(432)	Contact Watlow	6	(152)	
		225	(5715)	Contact Watlow	173 ¹ / ₂	(4407)	
0.685	L	18	(457)	Contact Watlow	6	(152)	
		225	(5715)	Contact Watlow	172	(4369)	
0.685	Crank	18	(457)	Contact Watlow	6	(152)	
		225	(5715)	Contact Watlow	163	(4267)	
0.685	Droop	15 ¹ / ₂	(394)	Contact Watlow	6	(152)	
		225	(5715)	Contact Watlow	170	(4331)	

Symbol	E	r	X	R	I
Min. Length in. (mm)	4 (102)	1 ¹ / ₂ (38)	1 ¹ / ₂ (38)	1 ¹ / ₂ (38)	12 (305)

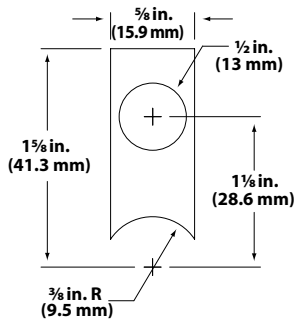
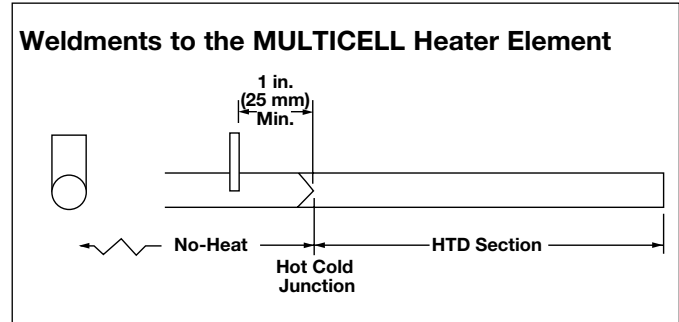
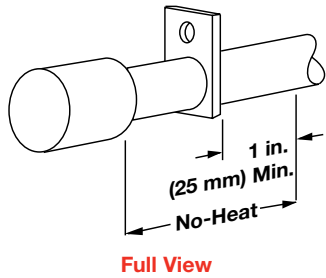
Zones	1	2	3
Min. Heated in. (mm)	6 (152)	6 (152)	6 (152)

High-Temperature Heaters

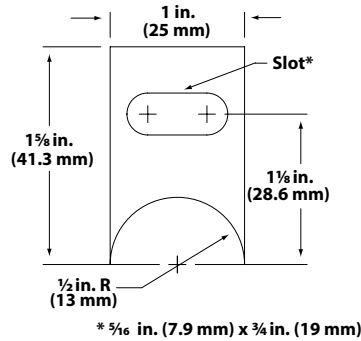
MULTICELL Heaters

Applications and Technical Data (Continued)

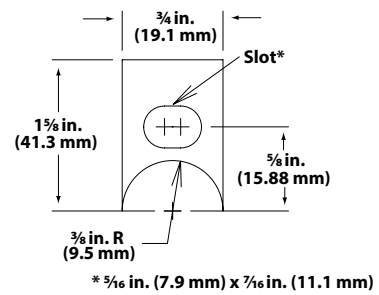
Tab Styles



Style S1



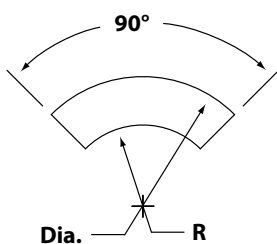
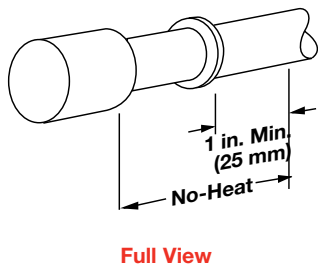
Style S2



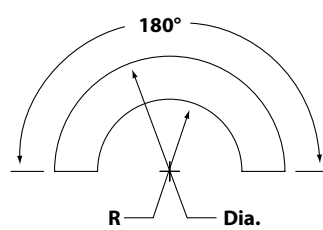
Style S3

Tabs and rings are used to hold the heater in place and keep it from creeping. Available in carbon steel, 304 and 316 SS.

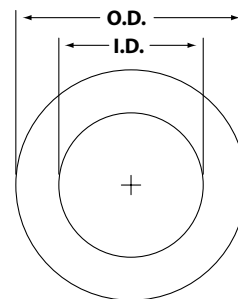
Ring Styles



Style S4



Style S5



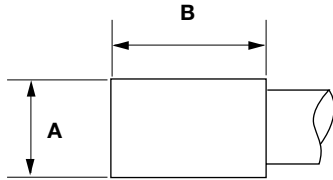
Style H1

High-Temperature Heaters

MULTICELL Heaters

Termination Standards

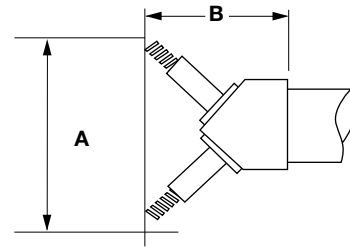
Potting Sleeves



Heater O.D. in.	Dimension A in. (mm)	Dimension B in. (mm)	Zone	Phase	Type No.
0.685	³ / ₄ (19)	1 ¹ / ₂ (38)	1	1	61L
0.935	1 ¹ / ₁₆ (27)	1 ¹ / ₂ (38)	1	1	91L
0.935	1 ¹ / ₁₆ (27)	1 ¹ / ₂ (38)	1	3 ^①	91L

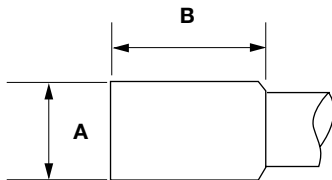
^① 3 wire only

Ceramic Wedge with 10-32 Threaded Terminals



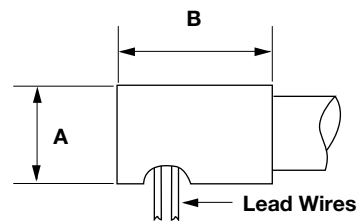
Heater O.D. in.	Dimension A in. (mm)	Dimension B in. (mm)	Zone	Phase	Type No.
0.685	1 ¹ / ₄ (32)	1 ¹ / ₄ (32)	1	1	61T
0.935	1 ⁵ / ₈ (41)	1 ⁵ / ₈ (41)	1	1	91T

Potting Cups



Heater O.D. in.	Dimension A in. (mm)	Dimension B in. (mm)	Zone	Phase	Type No.
0.685	1 ³ / ₈ (35)	1 ³ / ₈ (35)	2	1	62L
0.685	1 ³ / ₈ (35)	1 ³ / ₈ (35)	3	1	62L
0.685	1 ³ / ₈ (35)	1 ³ / ₈ (35)	1	3	62L
0.685	1 ³ / ₈ (35)	1 ³ / ₈ (35)	2	3	62L
0.935	1 ³ / ₈ (35)	1 ³ / ₈ (35)	2	1	92L
0.935	1 ³ / ₈ (35)	1 ³ / ₈ (35)	3	1	92L
0.935	1 ³ / ₈ (35)	1 ³ / ₈ (35)	1	3	92L
0.935	1 ³ / ₈ (35)	1 ³ / ₈ (35)	2	3	92L

Potting Cup for Right Angle Exit



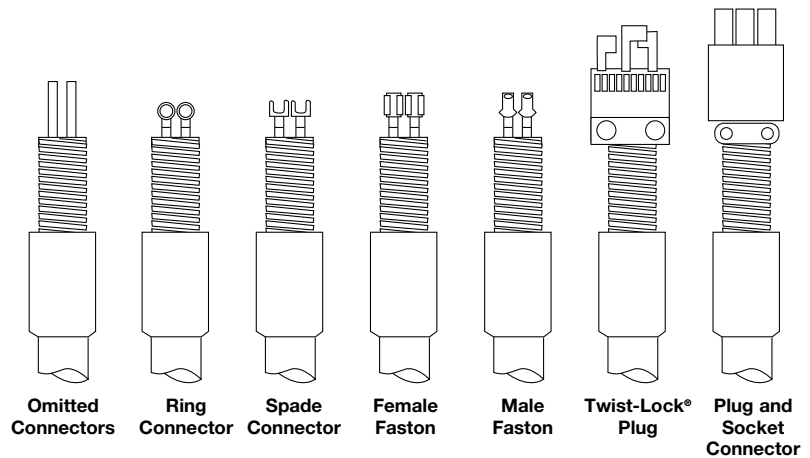
Heater O.D. in.	Dimension A in. (mm)	Dimension B in. (mm)	Zone	Phase	Type No.
0.685	³ / ₄ (19)	1 ¹ / ₂ (38)	1	1 or 3	RAE1
0.935	1 ¹ / ₁₆ (27)	1 ¹ / ₂ (38)	1	1 or 3	RAE2

High-Temperature Heaters

MULTICELL Heaters

Termination Assemblies

All termination assemblies are available with potting sleeves or cups, with or without armor flex lead wire protection. Please specify **potting vessel** and **lead cover option** when ordering.



Termination illustrations shown with armor flex covering.

Options

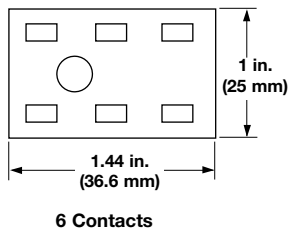
Plug and Socket and Twist-Lock® Plug Variations

Three zone heaters requiring a quick disconnect plug will typically be supplied with a six contact plug and socket. Twist-Lock® plug variations are typically supplied with single zone MULTICELL heaters. When ordering a Twist-Lock® plug, please specify the type as shown below.

For any other plug variations, please contact your Watlow representative.

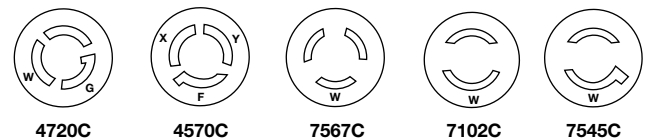
Note: Mating connectors are also available for plug terminations listed. Contact your Watlow representative.

Plug and Socket

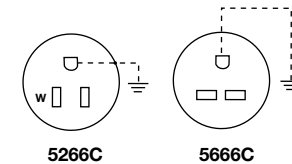


Male Plug	Zones	Type	Voltage	Amperage	Blade Type
P406-CCT	3	6 wire	600	30	Straight
4570C	1	3 wire	250	15	Twist-Lock®
4720C	1	3 wire	125	15	Twist-Lock®
5266C	1	3 wire	125	15	Straight
5666C	1	3 wire	250	15	Straight
7102C	1	2 wire	250	20	Twist-Lock®
7545C	1	2 wire	250	15	Twist-Lock®
7567C	1	3 wire	125	10	Twist-Lock®

Twist-Lock®



Straight



High-Temperature Heaters

**EXTENDED
CAPABILITY**

Extended Capabilities For High-Temperature (HT) FIREROD® Heaters

The Watlow HT FIREROD heater is especially designed for high temperature platen applications up to 1600°F (871°C). The HT FIREROD heater utilizes the same industry leading design principles used on all Watlow FIREROD products. Advancing the FIREROD heater enables it to withstand application temperatures up to 400°F (204°C) higher than standard cartridge heaters. HT FIREROD design features, which are important in high temperature applications, include:

- A specially constructed end seal that is virtually airtight to reduce the effects of resistance wire oxidation
- A high-temperature sheath that is treated to improve its emissivity for better heat transfer

Performance Capabilities

- Platen temperatures up to 1600°F (871°C)
- Maximum watt density up to 100 W/in² (15.5 W/cm²)
- Maximum voltage up to 277VAC ground
- Length tolerance of +0, -4 percent standard diameters; +0, -8 percent for special diameter

Made-to-Order Availability

Nominal Diameter in.	Actual Diameter in.	Max. Amperes
1/2	0.496 ± 0.004	10
5/8	0.580 ± 0.004	23
	0.621 ± 0.004	23
3/4	0.710 ± 0.004	46
	0.746 ± 0.004	46
1	0.960 ± 0.004	46
	0.996 ± 0.006	46

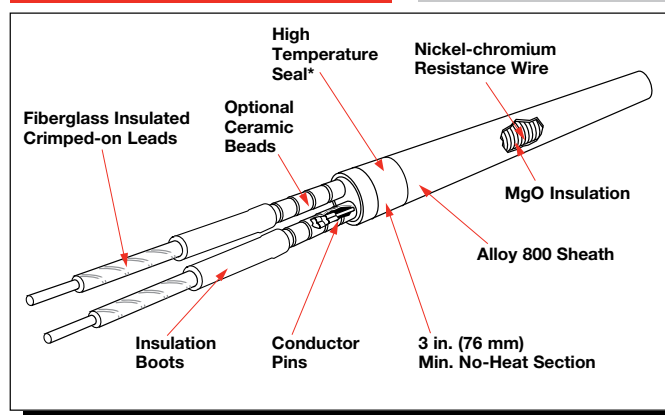
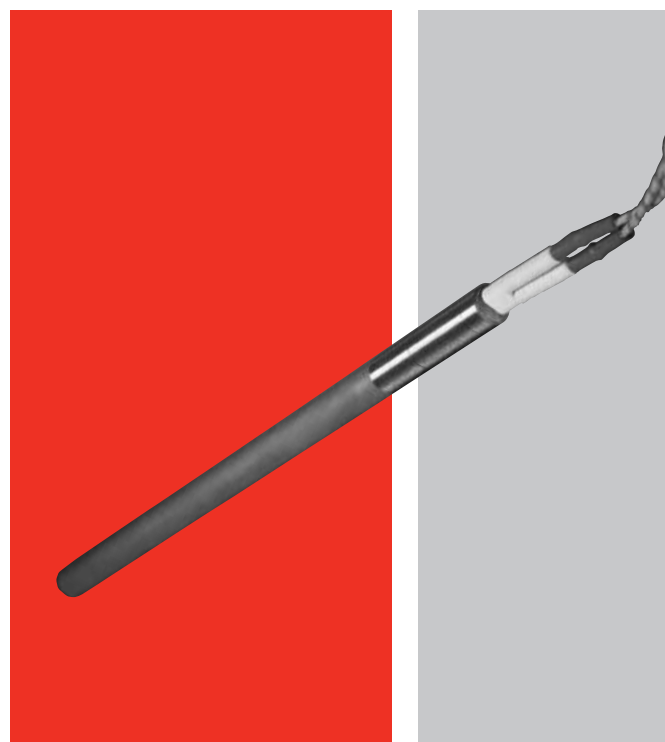
Contact your Watlow representative for special diameter requests.

Features and Benefits

High-temperature seal

- Reduces exposure to the atmosphere, which minimizes oxidation of the winding wires resulting in longer element life

Note: The first 2 in. (51 mm) must be outside of the platen in free air and less than 1000°F (538°C).



* First 2 in. (51 mm) at lead end must be kept below 1000°F (538°C).

Alloy 800 sheath

- Transfers heat more efficiently

High emissivity sheath

- Provides better heat transfer and longer life

For detailed product and technical data, see the full High-Temperature FIREROD product section located on pages 36 through 37.

High-Temperature Heaters

High-Temperature Tubular Heaters

Watlow manufactures high-temperature tubular heaters to bridge the gap between standard tubular heaters and Watlow MULTICELL™ heaters. This tubular is well suited for process air heating applications in excess of 1300°F (704°C), resulting in a maximum sheath temperature of 1800°F (983°C). Controlled lab testing between the new design and current tubular designs show an increase in life of approximately 50 percent.

The high-temperature tubular consists of an engineered tubing with an outer sheath of alloy 600 and a special internal construction. The outer sheath offers high temperature capabilities, reduced oxidation as well as corrosion resistance.

The tubular offering is available in 0.430 and 0.375 inch diameters that are configurable either as formed tubulars or process heaters. The heaters can also be welded to flanges and plates for mounting purposes. Maximum sheath length available is 275 inches for the 0.430 inch and 0.375 inch diameters. The factory should be contacted for longer sheath lengths.

Features and Benefits

Alloy 600 sheath material and a special internal construction

- Assures high temperature performance and corrosion protection in tough applications

0.430 inch diameters*

- Allows heater to be configured to existing tubular designs that may be experiencing short life

***Note: 0.375 diameters are available in Watlow's extended capabilities, contact your Watlow representative for details.**

Dual-ended termination

- Installs into flanges and screw plugs similarly to standard product configurations

Bendable in standard formations

- Makes the heater easy to apply in a wide variety of applications



Typical Applications

- High temperature ovens and furnaces
- Radiant heating
- Drying
- Environmental—VOC abatement
- Process air heating: duct heaters, circulation heaters
- Vacuum applications
- Flue gas cleaning (desulphurization)
- Fluidized beds

**For detailed product and technical data,
see the full High-Temperature Tubular product
section located on pages 87 through 88.**

High-Temperature Heaters

Ceramic Fiber Heaters

Ceramic fiber heaters offer some of the highest temperature heating element capabilities available in the Watlow family of heaters. Heating units constructed of ceramic fiber insulation isolate the heating chamber from the outside. Ceramic fiber heaters are extremely low mass, high insulation value units with self-supported heating elements. Many applications can benefit from the convenience of the heating element and insulation combined into one package. Its lightweight, low-density properties are ideally suited for high temperature applications requiring low thermal mass.

Performance Capabilities

- Operating temperatures up to 2200°F (1204°C)
- Watt densities from 5 up to 30 W/in² (0.8 to 4.6 W/cm²)
- Uses “radiant” heat transfer exclusively

Features and Benefits

High temperature ICA resistance elements

- Bounds integrally into required position
- Allows five element configurations

Lightweight, low-density alumina-silica composition molded into shape

- Acts as insulation to isolate the heating chamber from the outside
- Provides low shrinkage fiber and inorganic binder
- Ensures a firm, thermal shock resistant, self-supporting unit at all operating temperatures

Operating temperatures up to 2200°F (1204°C)

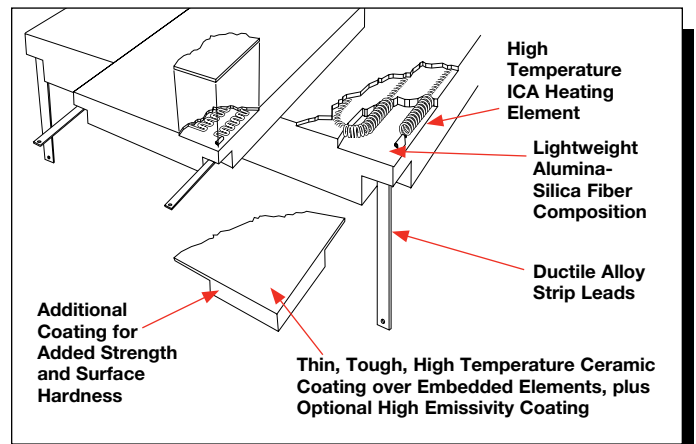
- Provides high temperature performance that is not possible with many other heater types (See page 436 for detailed limits)

Low mass ceramic fiber insulation of 10 to 15 lb/ft³ (160 to 240 kg/m³)

- Allows the heater to reach process temperature quickly
- Allows the energy to heat the load instead of wasting energy on itself

Works directly off of common power line voltages

- Eliminates the need for expensive transformers or complex power control systems
- Enables compatibility with the full range of Watlow temperature controllers and power switching devices



Typical Applications

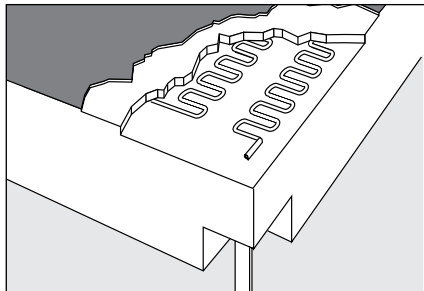
- High temperature furnaces
- Metal melting, holding and transfer
- Semiconductor processing
- Glass, ceramic and wire processing
- Analytical instrumentation

High-Temperature Heaters

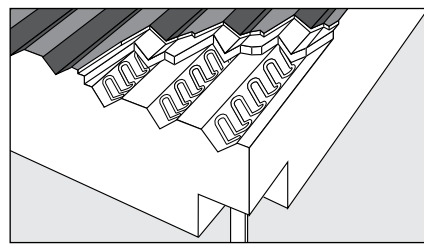
Ceramic Fiber Heaters

Options

Embedded Sinuated Elements

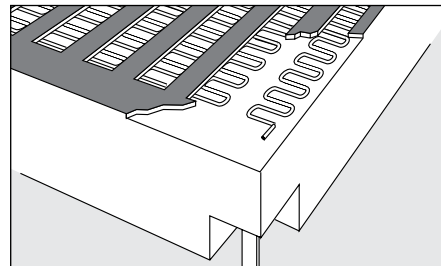


Flat Sinuated

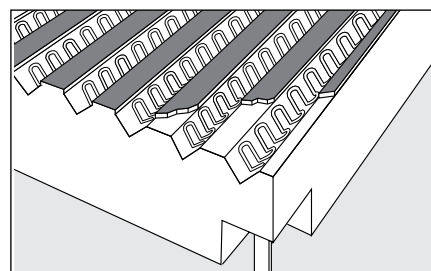


V-Sinuated

Exposed Sinuated Elements



Flat Sinuated



V-Sinuated

- Available in either flat or V-sinuated element configurations
- Advanced V-sinuated element configuration allows up to 27 percent additional watt density over embedded flat sinuated elements
- Performs best at medium to high temperatures at medium watt density power requirements
- Use in partially enclosed to fully enclosed applications
- Especially well suited for large, flat units; semi-cylindrical units above 5 in. (125 mm) I.D.; and full cylinders above 4 in. (100 mm) I.D.
- Offers greater effective insulation thickness than coiled element designs
- Enhances “heated insulation” concept of operational use
- Features high emissivity coating on new high watt density series units. When ordering, refer to charts on pages 452 to 454.

- Available in either flat or V-sinuated element configurations
- Advanced V-sinuated element configuration allows up to 20 percent additional watt density compared to exposed flat sinuated elements
- Offers the lowest possible wire-to-chamber temperature difference for maximum heater life
- Provides optimum heat-up/cool-down and recovery times as well as maximum operational efficiency
- Higher current handling capabilities are possible
- Minimizes the number of circuits and connections in large furnaces
- Especially well suited for large, flat surface area units and large I.D. curved units
- Exposed elements are available on special order as a variation of the embedded sinuated element normally provided on stock and standard units. When ordering, refer to charts on pages 452 to 454.

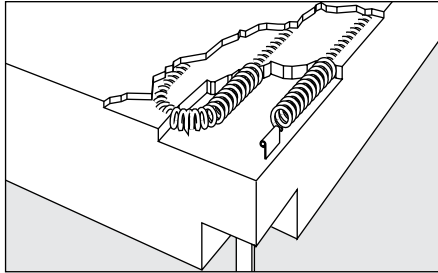
High-Temperature Heaters

Ceramic Fiber Heaters

Application Hints

Applications

- High temperature furnaces
- Metal melting, holding and transfer
- Semiconductor processing
- Glass, ceramic and wire processing
- Analytical instrumentation
- Fluidized beds
- Laboratory and R&D
- Other high temperature process applications
- Optimum performance for high temperature, enclosed furnace chambers
- Coiled elements readily conform to complex curved surfaces, especially small custom chamber shapes
- Coiled element design works best in higher voltage, lower current situations
- Use where lower watt density requirements and low duty cycle operations are expected
- Available in stock and standard units of medium watt density, rated up to 2000°F (1093°C). When ordering, refer to charts on pages 449 to 451.



Embedded Coil Elements



- Never use ceramic fiber heaters for conduction heating applications. These heaters are designed for **radiant heat transfer only**.
- Use appropriate mounting methods including pins, washers, clamping straps, overlapping edge clamps, interlocking edges, etc. Generally, these methods work better than cementing ceramic fiber heaters, as cementing will not accommodate the expansion and contraction caused by thermal cycling of surrounding metal structures.
- Keep furnace loads free of oils, lubricants and other contaminants that can vaporize at high temperatures. Ceramic fiber heaters have a porosity exceeding 90 percent and cannot be sealed against contamination infiltration and possible damage to the heating element wire.

- Use low mass thermocouples that are responsive to rapidly changing radiant energy transfer conditions. Without proper temperature control, ceramic fiber heaters can generate sufficient heat for self destruction.
- Mount a thermocouple junction directly above an element and within $\frac{1}{16}$ in. (1.6 mm) of the heated surface. Embedded ceramic mounting tubes are available as an option to position 0.125 in. (3.2 mm) diameter thermocouples inside the fiber, directly behind and between the elements. Heater wire operating temperatures are critical and wires should be monitored at the hottest point within the application.
- Electrical connections made in heated portions of the application must be rated for the appropriate currents and anticipate ambient temperatures. To ensure good electrical connections, use compression-type connection devices located as far away from the hottest area of the application. This minimizes the possibility of electrical connection degradation caused by thermal expansion, contraction and high temperature oxidation.
- Ceramic fiber products shrink at high temperatures. During the first 24 hours of operation at temperatures between 1600 and 2200°F (870 to 1204°C), shrinkage of up to 4 percent can occur. Fill all gaps between units created by shrinkage with loose ceramic fiber insulation. Watlow offers a “pre-firing” process that pre-shrinks and dimensionally stabilizes units before shipping. Contact your Watlow representative for further details.
- Use additional back-up insulation for maximum energy efficiency and appropriate safety considerations. Use only insulation with inorganic fibers and binders to avoid corrosive fumes that could damage heater elements.
- Handle all units and leads with care. Ceramic fiber heaters are very resistant to thermal cycling and thermal shock, but are easily subject to mechanical damage from careless handling.
- Repair of minor mechanical damage, made with unapproved or unknown cements, could damage the wire elements at high temperatures. If unsure, contact your Watlow representative before making repairs. Several accessory items are available from the factory for repair purposes.

High-Temperature Heaters

Ceramic Fiber Heaters

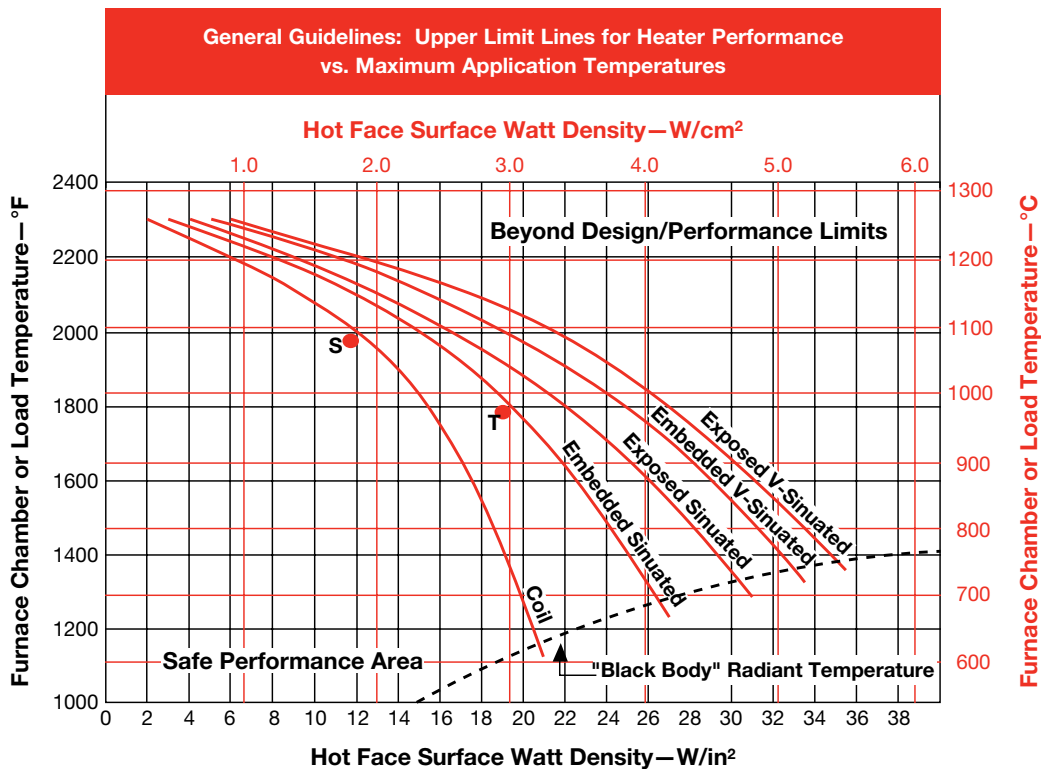
Performance Data

Performance Capabilities

The *Performance* graph shown below represents capabilities of the five heater element configurations. The curves compare upper temperature limits versus permissible design watt densities to achieve a standard heater life expectancy of 2,000 hours.

As with all Watlow heaters, the major application concern is the heater's surface watt density as it relates to the application temperature, such as with the furnace chamber temperature or the radiant surface temperature. When evaluating an application for temperature and watt density requirements, it should fall to the left of and below the performance limit lines. If the application falls

into this area, then it is in the safe performance area. The further into this safe performance area, the higher the life expectancy of the heater. If an application requires temperatures or watt densities that fall into the area to the right of and above the lines, then the application operates beyond the heater's typical design or performance limits. Using a heater required to perform in this area of the graph may result in a shorter life expectancy. For information specific to an application, contact your Watlow representative.



High-Temperature Heaters

Ceramic Fiber Heaters

Performance Data (Continued)

The following graphs provide technical data to help evaluate performance and select the correct ceramic fiber heater for an application.

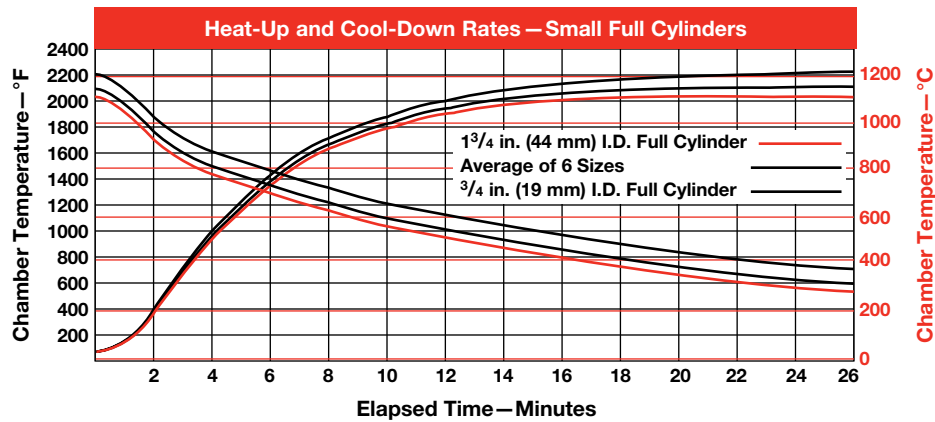
The four graphs shown represent performance data for heat-up/cool-down rates and power requirements

to maintain furnace temperature. This data averages test results performed for two typical types of furnace chambers, and should not be used for specification purposes.

Small, Full Cylinder, Heated Chambers

Test conditions for small, full-cylinder heated chambers are typical of analytical instrumentation furnaces. Several stock sizes are represented. Units tested were 6 in. (150 mm) long, mounted in a vertical orientation. Both ends were capped with 1 in. (25 mm) of ceramic fiber

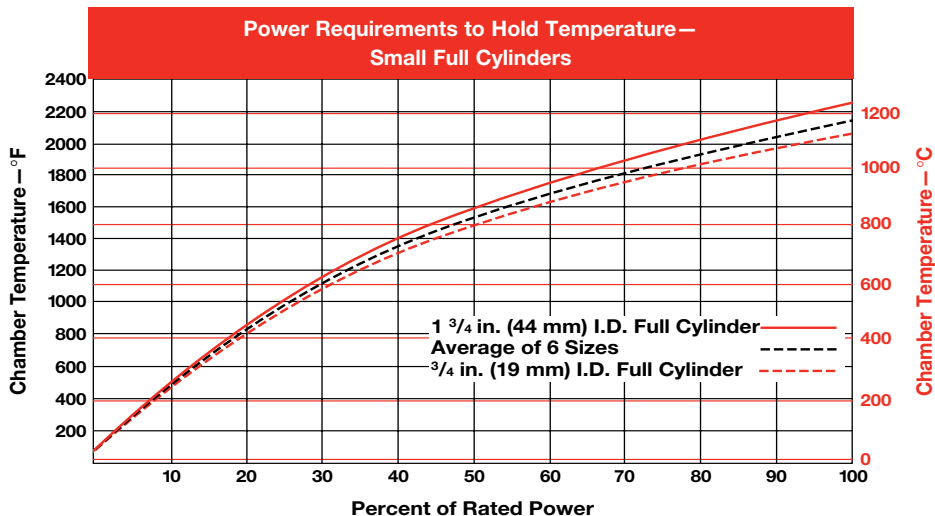
insulation. No additional insulation or metal sheath was added to the outside diameter. Temperature was measured by a thermocouple located in the geometric center of the chamber.



Power Requirements

Shown below are percentages of rated power needed to achieve and hold specific temperatures inside the full cylinder chambers tested.

This represents the efficiency of these heaters in this mounting configuration.



High-Temperature Heaters

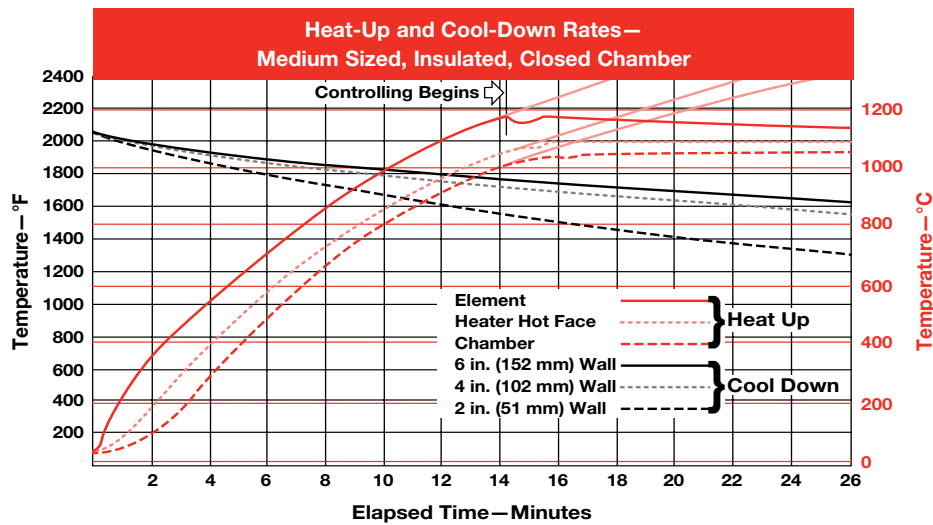
Ceramic Fiber Heaters

Performance Data (Continued)

Medium Sized, Insulated Closed Chambers

Test conditions for medium-sized, insulated chambers are typical of pit and box furnaces, large tube furnaces and pipe and reactor heating. Standard embedded coil units (Watlow part number **VS412A12S**) were used and rated for 2000°F (1093°C). The test chamber size was 12 in. long and 12 in. I.D. (305 X 305 mm). The volume was approximately 0.75 ft³ (0.02 m³).

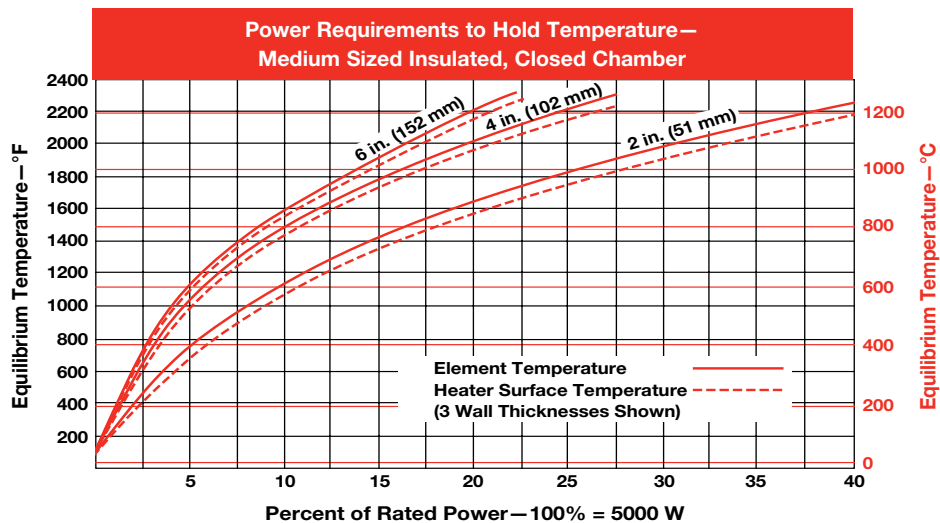
Temperature heat-up rates were measured by thermocouples in three places: at the element, on the heater surface and at the center-of-chamber. Data for various additional wall thicknesses is also shown. This is typical of how large, flat and semi-cylindrical units are used. The chamber was oriented vertically with top and bottom disks of ceramic fiber insulation equal to wall thickness.



Power Requirements

Shown below are the percentages of rated power needed to achieve and hold specific temperatures inside of

medium-sized, insulated chambers. This represents the efficiency of these heaters in this mounting configuration.



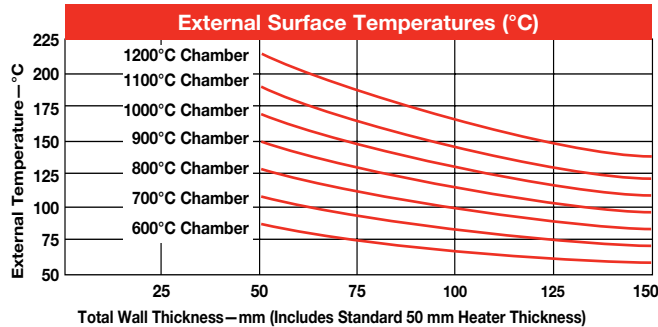
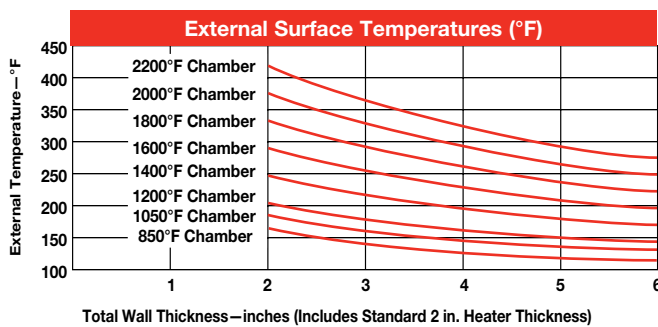
High-Temperature Heaters

Ceramic Fiber Heaters

Performance Data (Continued)

Insulation Effectiveness

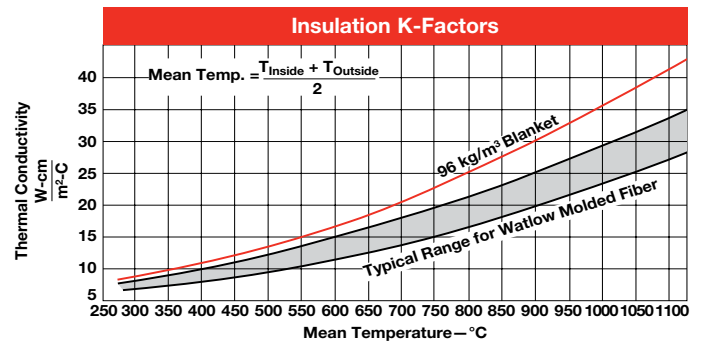
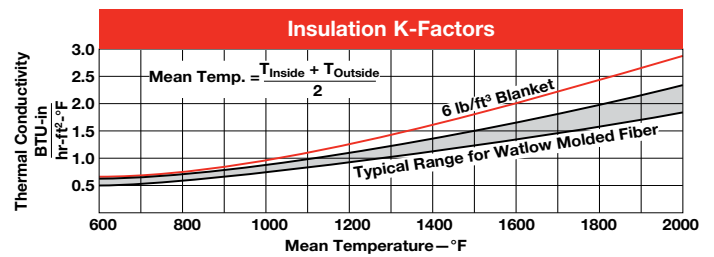
The graphs below illustrate the effectiveness of adding 6 lb/ft³ (96 kg/m³) blanket insulation to the backside of standard 2 in. (50 mm) thick ceramic fiber heaters. Total wall thickness of up to 6 in. (152 mm) is shown. Data is for vertical sides without metal sheathing. Top and bottom surfaces and surfaces with metal sheaths covering ceramic fiber insulation will vary.



Heat Loss and Energy Transfer

For general calculations of heat loss and energy transfer, the *Insulation K-Factors* and *Emissivity* graphs are helpful.

The *K-Factors* graph is for ceramic fiber heaters and the ceramic fiber insulation blanket typically used with the heaters. This blanket is offered as an accessory by Watlow.



Application Hints

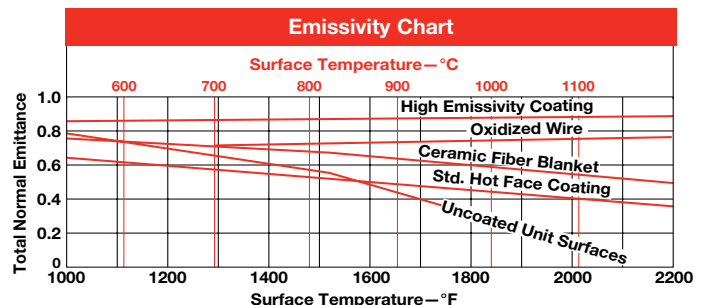
For wall thicknesses (T) in cylindrical situations use the "equivalent thickness" conversion.

$$T_{\text{cyl.}} = r_{\text{out}} \log_e \left(\frac{r_{\text{out}}}{r_{\text{in}}} \right)$$

Where r_{out} is outer radius
 r_{in} is inner radius

Emissivity of Heater Surface

The *Emissivity* graph details the normalized emittance values for the four surfaces most likely to be encountered when planning Watlow ceramic fiber heater applications.



High-Temperature Heaters

Ceramic Fiber Heaters

Termination Options

Watlow offers many variations of electric leads to meet particular wiring requirements. To understand termination options available, it is necessary to understand the various methods for applying electrical leads.

Ceramic fiber heater electrical leads are welded to stubs – the metal parts that interface between the heating element wire and the add-on electrical leads. These stubs exit the heater at the lead pockets. Pockets are small cavities below the cold face plane (outside surface) and usually located at or near the corners.

Watlow ceramic fiber heaters are equipped with either strip leads or double twisted wire leads. Strip leads are most commonly used, unless otherwise specified. The various lead styles refer to the lead's exit orientation relative to the pocket used on a given type of heater. See illustrations for specific details.

Strip Leads

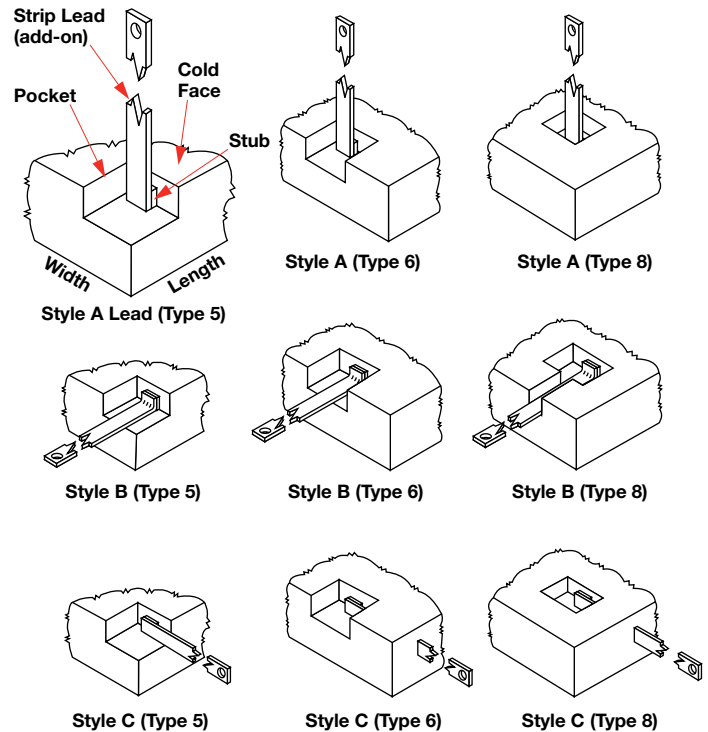
Flat and semi-cylindrical ceramic fiber heaters are available with the termination options shown here. When ordering termination options for catalog units, the specific strip lead **Style** must be specified. To determine the desired style, refer to the following illustrations. If a style is not specified, **Style A** leads, 12 in. (305 mm) in length will be provided. Additional lengths are available using add-on leads which are priced per pair, per inch, for the three different widths. See ordering charts for which lead width is used on a specific heater. Strip leads are shipped with a $1\frac{3}{64}$ in. (5 mm) hole at the end of the lead. Use #10-24 screws, nuts and washers, or other wiring connections. Caution should be exercised when making connections. Leads are susceptible to loosening due to thermal expansion and contraction as the heater cycles.



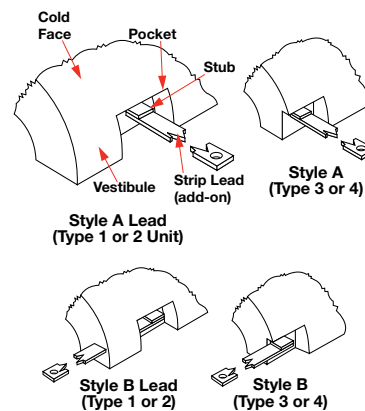
Important

Inspect the carton and its contents for damage prior to discarding packaging material. If there is any damage, contact your Watlow representative immediately for a Returned Material Authorization (RMA) number. All damaged goods are to be returned in the original packaging to reduce the possibility of further damage to the product.

Flat Units



Semi-Cylindrical Units



High-Temperature Heaters

Ceramic Fiber Heaters

Termination Options (Continued)

Special Lead Orientation

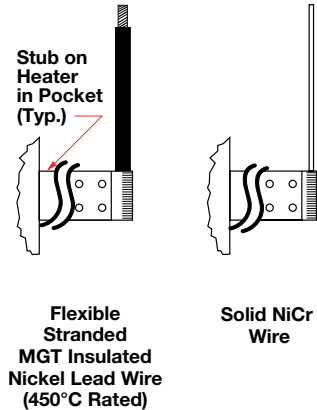
If the various standard strip lead orientations and pocket configurations are not suitable, special designs are available. When ordering, please include drawings that show proposed locations.

Leads Bent 90 Degrees

The double twisted leads of full cylinder heaters can bend 90 degrees to lay into slots and exit to the sides of the unit.

Special Add-On Lead Configurations

The two options illustrated can be welded onto the stub at the heater pocket, or for a better installation, welded to the end of a specified length of the regular strip lead. The strip lead length can vary from zero to the value necessary to distance it from the hot zone. The length of the add-on lead option eliminates the need for a custom product and satisfies a greater range of wiring requirements. Contact your Watlow representative for technical details and price.



Accessories

Ceramic fiber heater orders can include the accessory items described in this section. Please specify the Watlow part number when ordering.

Rigidizer

Rigidizer is primarily used to recoat soft, cut edges of ceramic fiber heaters and ceramic fiber insulation panels. Various degrees of hardening can be achieved with additional applications. Rigidizer can be ordered by the pint (0.47 L) by specifying part number **CFRGDPT** or gallon (3.78 L), part number **CFRGDGAL**.

B.T.E. Closed-End Thermocouple Tubes

A horizontal thermocouple tube between the elements is available in two sizes: 0.140 in. (3.6 mm) and 0.265 in. (6.7 mm), both 6 in. (152 mm) long with closed end.

Black Surface Coat

Black high emissivity coating is used to raise emissivity closer to 1.0. The container size is 4 ounces. Order **CFBSC**.

Ceramic Tubes

Ceramic tubes are available in four nominal sizes: 1/8, 1/4, 3/8 and 1/2 in. (3.2, 6, 9.5 and 13 mm) I.D. and lengths including 0.9 in. (22 mm) and 1.9 in. (48 mm) long. Ceramic tubes have several uses, including thermocouple mounting holes, mounting pin sleeves and lead coverings. The table below lists part numbers and exact sizes.

Inside Diameter		Length		Part Number
in.	(mm)	in.	(mm)	
0.140	(3.6)	0.90	(22)	CC405-1
0.265	(6.7)	0.90	(22)	CC405-2
0.390	(9.9)	0.74	(19)	CC405-3
0.515	(13.1)	0.90	(22)	CC405-9
0.140	(3.6)	1.90	(48)	CC405-4
0.265	(6.7)	1.90	(48)	CC405-5
0.390	(9.9)	1.60	(41)	CC405-6
0.515	(13.1)	1.90	(48)	CC405-8

High-Temperature Heaters

Ceramic Fiber Heaters

Accessories (Continued)

Dry Heating Surface Mix

Dry heating surface mix is used to make the hot face of all heaters, including those with the high emissivity coating. It can also be used with rigidizer to make a very high temperature paste for touch ups of the hot face area. Order by the pint (0.47 L), part number **CFHTGSURMX**, or gallon (3.78 L), part number **CFHTGMXGAL**.

Patch Kit

To easily repair small breaks or cracks, the patch kit contains one pint (0.47 L) of powdered ceramic fiber and four ounces (0.118 L) of black surface coat. Order **CFPATCHKIT**.

Ceramic Fiber Insulation Blanket

Additional insulation value for ceramic fiber heaters is available with ceramic fiber insulation blanket. This 6 lb/ft³ (96 kg/m³) ceramic fiber blanket contains no organic binders. It is suitable for applications up to 2300°F (1260°C) and sold in full rolls or cut by the square foot. These blankets are available in the following sizes:

Size (U.S.)	Size (metric)	Part No.
24 in. X 25 ft X 1/4 in.	610 mm X 7.6 m X 6 mm	CFBLKT1/4 ^①
24 in. X 25 ft X 1/2 in.	610 mm X 7.6 m X 13 mm	CFBLKT1/2 ^①
24 in. X 25 ft X 1 in.	610 mm X 7.6 m X 25 mm	CFBLKT-1 ^①

^① Add ...R to end of part number for full roll.

Powdered Ceramic Fiber

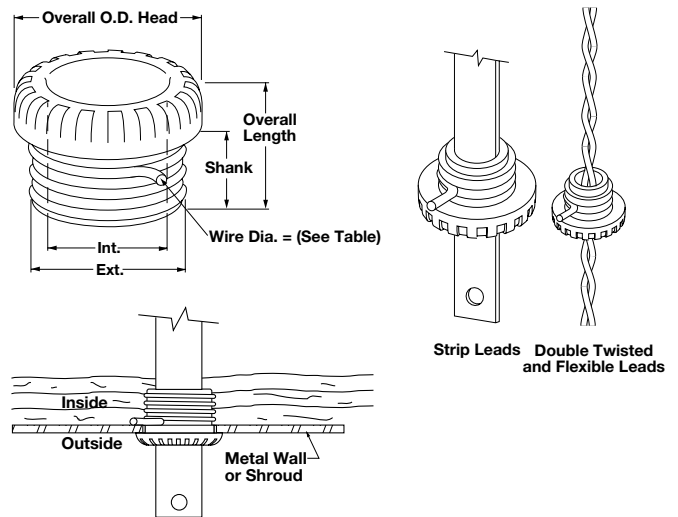
Powdered ceramic fiber is used primarily to improve surface finish in critical areas. It can also be used to fill voids, cracks and broken corners in damaged units. Use powdered ceramic fiber with rigidizer to make an easy to apply paste. A standard container size is one pint (0.47 L). Order part number **CFPDRFPT**.

High Temperature Coating and Electrical Potting Cement

Two different high purity, high temperature cements can be used to mount thermocouple tubes, provide extra surface hardening, bond ceramic fiber gaskets and affix lightweight ceramic fiber insulation blanket to panels, as well as attach edge-spacer blocks and custom vestibules. Potting cement is packaged in a 1/4 pint (116 mL) jar, and may be ordered by specifying part number **CFPTGCMT**. The high temperature coating cement is available in pints or gallons, and can be ordered by using part numbers **CFCTGCMTPT** and **CFCTGCMTGAL**.

Strip Lead Porcelain Bushings

Strip lead porcelain bushings are primarily used to protect heater power leads when passing through metal walls and furnace structures. Bushings are available with inside diameters listed below for use with double twisted leads and the three standard strip lead widths. To select the appropriate inside diameter lead bushing, reference the heater selection tables on pages 449 through 454. The strip lead width for each heater is listed therein.



Porcelain Bushings Specifications

Conduit K.O. Size in. (mm)	Shank Dia. without Wire Nut		Wire Nut Dia. in. (mm)	Shank Length in. (mm)	Overall Length in. (mm)	Overall Head O.D. (Ref.)		Use With:	Part Number
	Int. in. (mm)	Ext. in. (mm)				in. (mm)	in. (mm)		
3/8 (9.5)	3/8 (9.5)	21/32 (16.7)	0.080 (2.032)	9/16 (14.3)	7/8 (22.2)	7/8 (22.2)		All double twist	CS45-11
1/2 (13.0)	7/16 (11.1)	13/16 (20.6)	0.080 (2.032)	3/4 (19.0)	1 1/8 (28.6)	1 1/8 (28.6)		3/8 (9.5 mm) Strip	CS45-20
3/4 (19.0)	9/16 (14.3)	1 (25.0)	0.106 (2.692)	7/8 (22.2)	1 5/16 (33.3)	1 5/16 (33.3)		1/2 (13.0 mm) Strip	CS45-30

High-Temperature Heaters

Ceramic Fiber Heaters

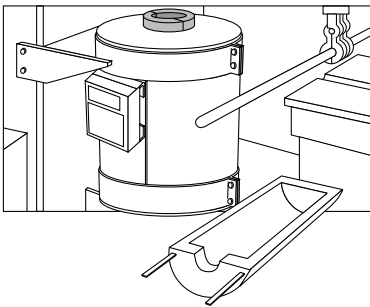
Mounting Methods

The Watlow ceramic fiber heater is available in a wide range of heater shapes and configurations to solve high temperature process applications. The modularity and range of sizes and wattages provide the greatest possible flexibility. Watlow has developed and can recommend many appropriate specific and generalized mounting systems for mounting heaters. Ceramic fiber heaters have been organized into seven major mounting categories or heater system configurations as shown in the following illustrations.

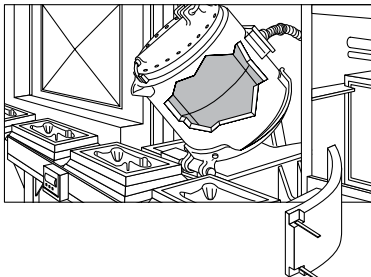
1. Full Cylinder Heaters



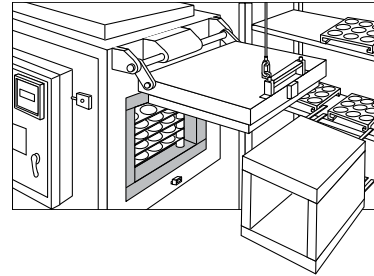
2. Semi-Cylindrical (180° section) Heaters



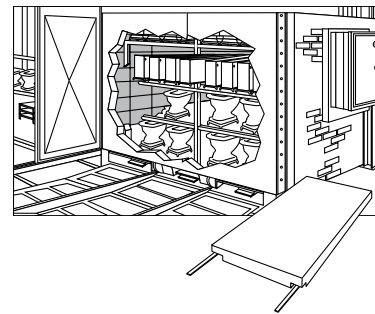
3. Arc-Section Arrays of Heaters (3 or more units of 120° or less each)



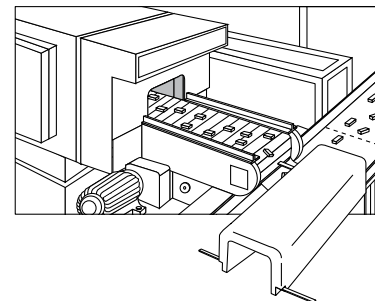
4. Flat Panels, with One Panel on Each Side



5. Flat Wall Array with Minimum Two-by-Two Units per Wall



6. Made-to-Order Molded Shapes with up to Five Sides of a Box Molded as One Piece, Including Complex Curves



High-Temperature Heaters

Ceramic Fiber Heaters

Molded Ceramic Fiber Insulation Modules

For heating applications requiring insulation panels, Watlow offers many shapes and sizes of molded ceramic fiber insulation modules. These insulation modules are constructed using the same high quality, high temperature, low mass ceramic fiber material used in our heaters.

As a complement to the overall product line, these modules offer additional solutions for high temperature industrial insulation problems. Without heating elements, molded ceramic fiber insulation modules are available in complex shapes to conform to application requirements.

Molded-to-shape insulation modules also make handling and installation easier compared to other insulation methods. Since they are molded to shape, sanding, cutting and grinding of blocks to achieve the desired configuration is not required.

Highly resistant to thermal shock and chemical attack, except for hydrofluoric and phosphoric acids and strong alkalis, insulation modules are unaffected by oil and water. If the insulation becomes wet, physical and thermal properties can be fully restored when dried.

Note: If using molded ceramic fiber insulation modules along with other Watlow ceramic fiber heaters, oil, water and other contaminants will negatively affect the heating element portion of the ceramic fiber heater.

Molded insulation modules are rated for up to 2300°F (1260°C) continuous duty. The inorganic binder eliminates smoke or combustion during initial heating to 300°F (150°C) and higher. Vacuum molded density is 10 to 15 lbs/ft³ (160 to 240 kg/m³), the same as the ceramic fiber heaters.

Size Limits: Maximum flat size is 34 x 52 in. (860 x 1320 mm) with a molded thickness of more than 4 in. (102 mm). Maximum inside diameter for semi-cylindrical modules is 24 in. (610 mm). For applications requiring curved insulation pieces in excess of 180 degrees, consider using multiple arc-section modules or an array system of multiple flat units.



Application and Technical Data

The same insulation performance and technical data for ceramic fiber heaters applies to molded ceramic fiber insulation modules. For specific information on insulation performance properties, see the *Heat Loss and Energy Transfer* portion of the ceramic fiber heaters section on page 439.

Accessories

Where appropriate, many of the same accessories available for ceramic fiber heaters are available for use with molded ceramic fiber insulation modules. Accessories can be used to modify, provide mounting options and for minor repairs and maintenance.

Ordering Information

Molded ceramic fiber insulation modules are available in exactly the same sizes and shapes as the ceramic fiber heaters listed in the ordering tables. In general, the ordering part numbers are derived by replacing the second alpha character in the heater part number (i.e., F, S, C, R, etc.) with **N** to designate **no-element**.

Extended Capabilities: Watlow representatives can work with your customers to design and manufacture modules to meet specific insulation needs.

High-Temperature Heaters

Ceramic Fiber Heaters

Molded Ceramic Fiber Insulation Modules

Ordering Information

VN - No-Heat Panels

Part Number

①	②	③	④	⑤	⑥	⑦	⑧	⑨	⑩	⑪	⑫	⑬	⑭
Base Code Nbr.	Base Code Nbr.	Base Code Nbr.	Base Code Nbr.	Base Code Nbr.	Base Code Nbr.	Base Code Nbr.	Base Code Nbr.	Base Code Nbr.	Modification Options				
V	N	5	1	2	A	1	2	A		0	0	0	0

① ② ③ ④ ⑤ ⑥ ⑦ ⑧ ⑨ Base Code Number

⑩	Modification Options
0 =	None
A =	0.430 thermocouple tube I.D. center on unit
B =	0.265 thermocouple tube I.D. center on unit
E =	Black surface coat one side
F =	Black surface coat 0.140 thermocouple tube I.D. center on unit
G =	Black surface coat 0.265 thermocouple tube I.D. center on unit

High-Temperature Heaters

Ceramic Fiber Heaters

Modifications

It is possible to order certain special modifications for catalog units prior to shipment. Some of these are listed below, with a brief description.

Beveled and trimmed edges: The unheated edges of Type 6, 7 and 8 units can be factory modified to provide in-between overall sizes, and can be angle cut to form regular polygon shapes around objects. Angles between zero degrees and 45 degrees can be accommodated.

Black surface coating: Improves the emissivity of the heater's hotface. See the graph on page 439 for emissivity values, contact the factory for pricing adders.

Leads: See page 441 for other "Special Add-On Lead" configurations.

Thermocouple holes: Ceramic tubes on page 441 are used to make electrically isolated holes through heaters. To order, the inside **diameter** and **location** must be specified. A special "behind-the-element" horizontal thermocouple tube is available to very closely track element temperature for over-temperature protection and improved heater life.

Notches or long slots in no-heat areas of

units: Rectangular and semi-circular notches can be cut into no-heat areas and vestibules on most units. Usually, a sketch or drawing that specifies exact location must be included with your order. Fax numbers to send drawings to are available.

Shortened vestibule lengths: Modified vestibule lengths require retention of at least 1/2 in. (13 mm) of insulation for adequate strength or complete removal ("0" length) to make Type 1 units into left vestibule (i.e., Type 2) or right vestibule (i.e., Type 3) units.

Lead Times

RAPID SHIP: Same or next working day shipment is subject to current inventory (contact your Watlow representative for latest status). No set up charges. Orders must be placed before 11:00 a.m. CST/CDT, USA.

RAPID SHIP with modifications: Two-to-three working days shipment. Nominal set up charges only for specific modifications, not for the basic heater.

Standard delivery: Shipment is usually within three weeks. Check with the factory for the latest lead time status. No set up charges.

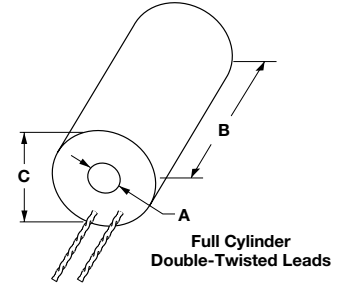


Warning

This product contains refractory ceramic fibers (RCF) which have been identified by the International Agency for Research on Cancer (IARC) as a possible human carcinogen (class 2B). Before using these products, read the material data safety sheet (MSDS) which includes the detailed precautionary measures and handling instructions.

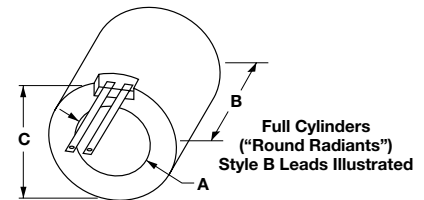
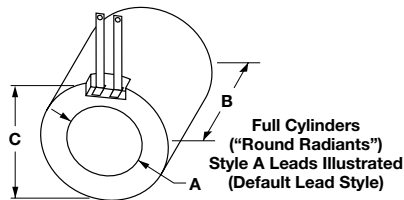
High-Temperature Heaters

Ceramic Fiber Heaters



Full Cylinder Units

Dimensions, in. (mm)			Electrical Ratings			Lead Width	Approx. Net Wt.	Delivery	Part Number ②
Heated Area		Overall	Volts	Power (Watts) ±5%	Surface Loading ① W/in² (W/cm²)				
I.D. (A) in. (mm) ±1/16 (±1.6)	Length (B) in. (mm) ±1/16 (±1.6)	O.D. (C) in. (mm) ±1/8 (±3.2)							
1/2 (13)	6 (152)	2 (51)	60	175	18.6 (2.9)	Double Twisted Leads	5 (0.14)	RS	VC400J06A
1/2 (13)	12 (305)	2 (51)	120	350	18.6 (2.9)		10 (0.28)	RS	VC400J12A
3/4 (19)	6 (152)	3 (76)	60	200	14.2 (2.2)		8 (0.23)	RS	VC400N06A
3/4 (19)	12 (305)	3 (76)	120	400	14.2 (2.2)		13 (0.37)	RS	VC400N12A
1 (25)	6 (152)	3 (76)	60	220	11.7 (1.8)		9 (0.26)	RS	VC401A06A
1 (25)	12 (305)	3 (76)	120	440	11.7 (1.8)		13 (0.37)	RS	VC401A12A
1 1/4 (32)	6 (152)	3 1/2 (89)	60	275	11.7 (1.8)		11 (0.31)	RS	VC401E06A
1 1/4 (32)	12 (305)	3 1/2 (89)	120	550	11.7 (1.8)		18 (0.51)	RS	VC401E12A
1 1/2 (38)	6 (152)	3 1/2 (89)	60	300	10.6 (1.6)		12 (0.34)	RS	VC401J06A
1 1/2 (38)	12 (305)	3 1/2 (89)	120	600	10.6 (1.6)		20 (0.57)	RS	VC401J12A
1 3/4 (45)	6 (152)	4 (102)	120	350	10.6 (1.6)		12 (0.34)	RS	VC401N06A
1 3/4 (45)	12 (305)	4 (102)	120	700	10.6 (1.6)		23 (0.65)	RS	VC401N12A
2 (51)	6 (152)	4 (102)	120	425	11.3 (1.8)		13 (0.37)	RS	VC402A06A
2 (51)	12 (305)	4 (102)	120	850	11.3 (1.8)		25 (0.71)	RS	VC402A12A



Full Cylinder Units

Dimensions, in. (mm)			Electrical Ratings			Lead Width in. (mm)	Approx. Net Wt.	Delivery	Part Number ②
Heated Area		Overall	Volts	Power (Watts) ±5%	Surface Loading ① W/in² (W/cm²)				
I.D. (A) in. (mm) ±1/16 (±1.6)	Length (B) in. (mm) ±1/16 (±1.6)	O.D. (C) in. (mm) ±1/8 (±3.2)							
3 (76)	6 (152)	7 (178)	120	650	11.5 (1.8)	3/8 (10)	2.5 (1.1)	RS	VC403A06A
4 (102)	6 (152)	8 (203)	120	900	11.9 (1.8)	1/2 (13)	3.1 (1.4)	RS	VC404A06A
4 (102)	6 (152)	8 (203)	120	1100	14.6 (2.3)	3/8 (10)	3.1 (1.4)	RS	VC404A06T
5 (127)	6 (152)	9 (229)	120	1250	13.7 (2.1)	1/2 (13)	3.5 (1.6)	RS	VC405A06A
5 (127)	6 (152)	9 (229)	120	1400	14.9 (2.3)	3/8 (10)	3.6 (1.6)	RS	VC405A06T
6 1/2 (165)	6 (152)	10 1/2 (267)	120	1500	12.2 (1.9)	3/4 (19)	4.9 (2.2)	RS	VC406J06A
6 1/2 (165)	6 (152)	10 1/2 (267)	120	2000	16.3 (2.5)	1/2 (13)	4.9 (2.2)	RS	VC406J06T
8 (203)	6 (152)	12 (305)	120	1800	11.9 (1.8)	3/4 (19)	5.7 (2.6)	RS	VC408A06A
8 (203)	6 (152)	12 (305)	120	2600	17.2 (2.7)	3/4 (19)	5.8 (2.6)	RS	VC408A06T

RAPID SHIP

- RS - Next day shipment up to 2 pieces for orders with part number configuration -0000R or 0001R.
- All modifications to RAPID SHIP are manufacturing lead times.

① Units with part numbers ending in ...**OA**, watt densities between 10.6 to 14.2 W/in² (1.6 to 2.2 W/cm²), are coil designs suitable for use up to 2000°F (1093°C) maximum surface temperature. Units with part numbers ending in ...**T**, watt densities between 14.6 to 17.2 W/in² (2.3 to 2.7 W/cm²) are "round radiants" with sinuated element designs and high emissivity coating that are suitable for use up to 1800°F (982°C) maximum surface temperature.

② For unheated insulation tubes, substitute "**VN**" for "**VC**" in the part number of the appropriate size unit. No heats are manufacturing lead times.

High-Temperature Heaters

Ceramic Fiber Heaters

Ordering Information

VC - Full Cylindrical

Part Number

①	②	③	④	⑤	⑥	⑦	⑧	⑨	⑩	⑪	⑫	⑬	⑭
Base Code Nbr.	Base Code Nbr.	Base Code Nbr.	Base Code Nbr.	Base Code Nbr.	Base Code Nbr.	Base Code Nbr.	Base Code Nbr.	Base Code Nbr.	Modification Options			Lead Options	Lead Length
V	C	4	0	5	A	0	6	A		0	0		

① ② ③ ④ ⑤ ⑥ ⑦ ⑧ ⑨ Base Code Number

⑩ Modification Options	
0 =	None
A =	0.140 thermocouple tube I.D. opposite leads, centered on height
B =	0.140 thermocouple tube I.D. lead side, centered on height
E =	Black surface coat
F =	Black surface coat 0.140 thermocouple tube I.D. opposite leads, centered on height
G =	Black surface coat 0.140 thermocouple tube I.D. lead side, centered on height

⑬ Lead Options	
0 =	Fixed (built-in) standard double-twisted
1 =	601 Alloy 600 strip A style
2 =	601 Alloy 600 strip B style
9 =	Flex NI, MGT A style
A =	Flex NI, MGT B style
E =	Chromel® A / NI, A style
F =	Chromel® A / NI, B style

⑭ Lead Length			
A =	0 in.	T =	14 in.
B =	1 in.	U =	15 in.
E =	2 in.	V =	16 in.
F =	3 in.	W =	17 in.
G =	4 in.	X =	18 in.
H =	5 in.	Y =	19 in.
J =	6 in.	1 =	20 in.
K =	7 in.	2 =	21 in.
L =	8 in.	3 =	22 in.
M =	9 in.	4 =	23 in.
N =	10 in.	6 =	24 in.
P =	11 in.	7 =	30 in.
R =	12 in.	8 =	36 in.
S =	13 in.	9 =	42 in.

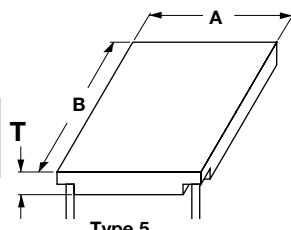
Notes:

- If the order is placed before 11:00 AM CST, heaters with standard leads (...0R) ship the same day. Heaters with non-standard leads ship the next day.
- The BTE (between-the-element) is NOT covered in this system yet. Please contact your Watlow representative for availability.

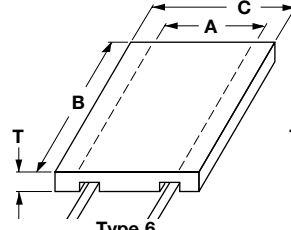
High-Temperature Heaters

Ceramic Fiber Heaters

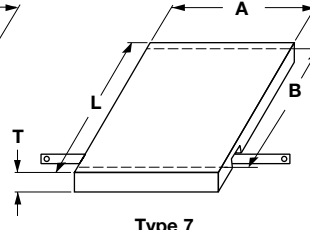
All units: T =
2 ± 1/4 inches
(51 ± 6 mm)



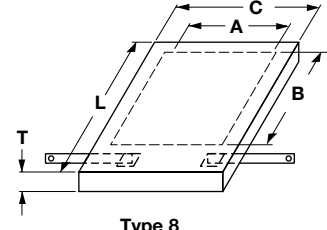
Type 5
Fully Heated
(Style A Leads Illustrated)
(Default Lead Style)



Type 6
Insulated Sides
(Style B Leads Illustrated)



Type 7
Insulated Ends
(Style C Leads Illustrated)



Type 8
Insulated All Edges
(Style C Leads Illustrated)

(Style A, B or C leads available on any type unit. Please specify.)

Flat Units — Embedded Coiled Elements (see page 435)

Dimensions, in. (mm)				Electrical Rating			Strip Lead Width in. (mm)	Approximate Net Wt.			Delivery	Part Number
Heated Size		Type 6 & 8	Type 7 & 8	Volts	Power (Watts) ±5%	Surface Loading W/in ² (W/cm ²)		Type 5	Type 6 & 7	Type 8		
Width (A) in. (mm)	Length (B) in. (mm)	Width (C) in. (mm)	Length (L) in. (mm)				lbs (kg)	lbs (kg)	lbs (kg)			
4 (102)	6 (152)	8 (203)	10 (254)	60	275	11.5 (1.8)	3/8 (10)	0.6 (0.3)	1.1 (0.5)	1.7 (0.8)	RS	VF004A06S
	12 (305)	8 (203)	16 (406)	60	550	11.5 (1.8)	1/2 (13)	1.2 (0.5)	2.2 (1.0)	2.8 (1.3)	RS	VF004A12S
	18 (457)	8 (203)	22 (559)	120	750	10.4 (1.6)	3/8 (10)	1.9 (0.9)	3.4 (1.5)	4.5 (2.0)	M	VF004A18S
	24 (610)	8 (203)	28 (711)	120	1100	11.5 (1.8)	1/2 (13)	2.4 (1.1)	4.4 (2.0)	5.6 (2.5)	RS	VF004A24S
6 (152)	6 (152)	10 (254)	10 (254)	60	375	10.4 (1.6)	3/8 (10)	0.9 (0.4)	1.5 (0.7)	2.4 (1.1)	RS	VF006A06S
	12 (305)	10 (254)	16 (406)	120	750	10.4 (1.6)	3/8 (10)	1.8 (0.8)	2.8 (1.3)	3.7 (1.7)	RS	VF006A12S
	18 (457)	10 (254)	22 (559)	120	1250	11.6 (1.8)	1/2 (13)	3.0 (1.4)	4.1 (1.9)	5.0 (2.3)	RS	VF006A18S
	24 (610)	10 (254)	28 (711)	240	1500	10.4 (1.6)	3/8 (10)	3.5 (1.6)	5.3 (2.4)	6.2 (2.8)	RS	VF006A24S
	30 (762)	10 (254)	34 (864)	240	2000	11.2 (1.7)	1/2 (13)	4.5 (2.0)	6.6 (3.0)	8.4 (3.8)	M	VF006A30S
	36 (914)	10 (254)	40 (1016)	240	2500	11.6 (1.8)	1/2 (13)	6.1 (2.8)	8.3 (3.8)	10.2 (4.6)	M	VF006A36S
8 (203)	12 (305)	12 (305)	16 (406)	120	1100	11.5 (1.8)	1/2 (13)	2.5 (1.1)	3.2 (1.5)	4.1 (1.9)	RS	VF008A12S
	18 (457)	12 (305)	22 (559)	240	1500	10.4 (1.6)	3/8 (10)	3.6 (1.6)	4.7 (2.1)	5.6 (2.5)	M	VF008A18S
	24 (610)	12 (305)	28 (711)	240	2200	11.5 (1.8)	1/2 (13)	4.8 (2.2)	6.5 (2.9)	7.4 (3.4)	RS	VF008A24S
	30 (762)	12 (305)	34 (864)	240	2500	10.4 (1.6)	1/2 (13)	6.2 (2.8)	8.0 (3.6)	9.7 (4.4)	M	VF008A30S
	36 (914)	12 (305)	40 (1016)	240	3000	10.4 (1.6)	3/4 (19)	7.8 (3.5)	10.0 (4.5)	11.8 (5.4)	M	VF008A36S
	10 (254)	12 (305)	14 (356)	16 (406)	240	1250	10.4 (1.6)	3/8 (10)	2.6 (1.2)	3.9 (1.8)	5.0 (2.3)	RS
18 (457)		14 (356)	22 (559)	240	1800	10.0 (1.6)	1/2 (13)	4.2 (1.9)	5.4 (2.4)	6.5 (2.9)	RS	VF010A18S
24 (610)		14 (356)	28 (711)	240	2500	10.4 (1.6)	1/2 (13)	5.2 (2.4)	7.7 (3.5)	8.8 (4.0)	M	VF010A24S
30 (762)		14 (356)	34 (864)	240	3000	10.0 (1.6)	3/4 (19)	7.0 (3.2)	9.5 (4.3)	11.7 (5.3)	M	VF010A30S
36 (914)		14 (356)	40 (1016)	240	3600	10.0 (1.6)	3/4 (19)	9.1 (4.1)	11.5 (5.2)	13.7 (6.2)	M	VF010A36S
12 (305)		12 (305)	16 (406)	16 (406)	240	1500	10.4 (1.6)	3/8 (10)	3.2 (1.5)	4.6 (2.1)	5.8 (2.6)	RS
	18 (457)	16 (406)	22 (559)	240	2200	10.2 (1.6)	1/2 (13)	4.9 (2.2)	6.5 (2.9)	7.7 (3.5)	M	VF012A18S
	24 (610)	16 (406)	28 (711)	240	3000	10.4 (1.6)	3/4 (19)	7.5 (3.4)	9.5 (4.3)	10.7 (4.9)	RS	VF012A24S
	30 (762)	16 (406)	34 (864)	240	3600	10.0 (1.6)	3/4 (19)	9.1 (4.1)	11.7 (5.3)	12.9 (5.9)	M	VF012A30S
	36 (914)	16 (406)	40 (1016)	240	4400	10.2 (1.6)	3/4 (19)	12.4 (5.6)	15.5 (7.0)	16.7 (7.6)	M	VF012A36S
	14 (356)	12 (305)	18 (457)	16 (406)	240	1750	10.4 (1.6)	1/2 (13)	4.7 (2.1)	6.1 (2.8)	7.6 (3.4)	M
18 (457)		18 (457)	22 (559)	240	2550	10.6 (1.6)	1/2 (13)	6.8 (3.1)	8.5 (3.9)	10.0 (4.5)	M	VF014A18S
24 (610)		18 (457)	28 (711)	240	3500	10.4 (1.6)	3/4 (19)	10.0 (4.5)	11.9 (5.4)	13.4 (6.1)	M	VF014A24S
30 (762)		18 (457)	34 (864)	240	4300	10.2 (1.6)	3/4 (19)	12.5 (5.7)	15.0 (6.8)	16.5 (7.5)	M	VF014A30S
36 (914)		18 (457)	40 (1016)	240/240	5200	10.3 (1.6)	1/2 (13)	14.2 (6.4)	17.2 (7.8)	18.7 (8.5)	M	VF014A36S ²
16 (406)		12 (305)	20 (508)	16 (406)	240	2100	10.9 (1.7)	1/2 (13)	5.2 (2.4)	6.7 (3.0)	8.4 (3.8)	M
	18 (457)	20 (508)	22 (559)	240	3000	10.4 (1.6)	3/4 (19)	8.2 (3.7)	9.9 (4.5)	11.6 (5.3)	M	VF016A18S
	24 (610)	20 (508)	28 (711)	240	4200	10.9 (1.7)	3/4 (19)	11.9 (5.4)	13.8 (6.3)	15.5 (7.0)	M	VF016A24S
	30 (762)	20 (508)	34 (864)	240/240	5000	10.4 (1.6)	1/2 (13)	15.2 (6.9)	17.7 (8.0)	19.4 (8.8)	M	VF016A30S ²
	36 (914)	20 (508)	40 (1016)	240/240	6000	10.4 (1.6)	3/4 (19)	17.9 (8.1)	20.9 (9.5)	22.6 (10.3)	M	VF016A36S ²

RAPID SHIP

- **RS** - Next day shipment up to 2 pieces for orders with part number configuration -0001R.

• All modifications to RAPID SHIP are manufacturing lead times.

- **M** - Manufacturing lead times

All units in this table are suitable for use up to 2000°F (1093°C) maximum surface temperature.

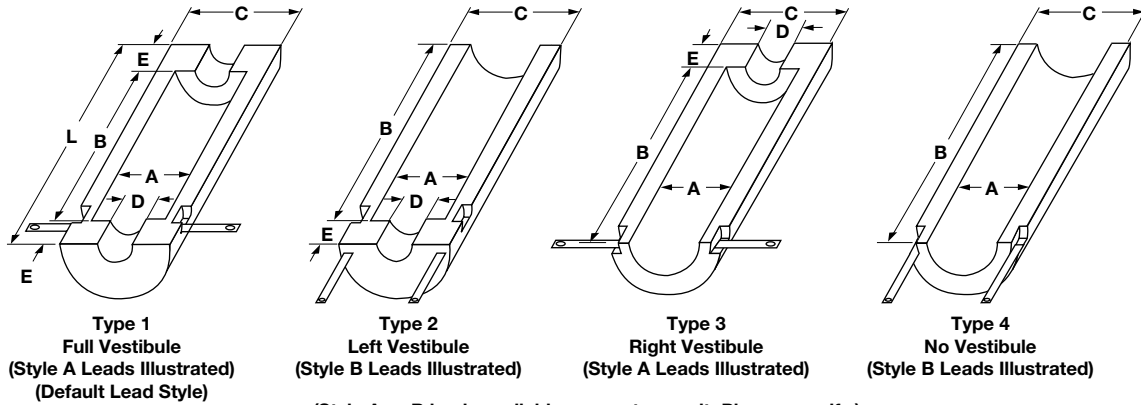
① Add Type number (Type 5 - 8) in the blank position in the part number. Example: **VS704A06S**. For unheated units, see catalog page 444.

② These units have dual elements to use in "parallel" for 240V usage. Alternate designs are available for 480V, 277V and three-phase (internally wired). Contact your Watlow representative.

WATLOW®

High-Temperature Heaters

Ceramic Fiber Heaters



(Style A or B leads available on any type unit. Please specify.)

Semi-Cylindrical Units — Embedded Coiled Elements (see page 435)

Dimensions, in. (mm)						Electrical Ratings			Approx. Net Wt.		Delivery	Part Number	
Heated Size			Type 1, 2, & 3 Sizes			Power (Watts) ±5%	Surface Loading W/in ² (W/cm ²)	Strip Lead Width in. (mm)	Type 1 Full Vest. lbs (kg)	Type 4 No Vest. lbs (kg)			
I.D. (A) in. (mm) ±1/8 (±3.2)	Length (B) in. (mm) +1/16 -1/8 (+1.6 - 3.2)	O.D. (C) in. (mm) (Ref)	Vestibule Sizes								Volts		
			Length (L) in. (mm) +1/16 -1/8 (+1.6 - 3.2)	Dia. (D) in. (mm) ±1/8 (±3.2)	Length (E) in. (mm) +1/16 -1/8 (+1.6 - 3.2)								
2 (51)	6 (152)	6 (152)	8 (203)	1 (25)	1 (25)	60	275	14.6 (2.3)	3/8 (10)	1.1 (0.5)	1.1 (0.5)	RS	VS ⁰ 02A06S
	12 (305)	6 (152)	14 (356)	1 (25)	1 (25)	120	550	14.6 (2.3)	3/8 (10)	1.8 (0.8)	1.8 (0.8)	RS	VS ⁰ 02A12S
	18 (457)	6 (152)	20 (508)	1 (25)	1 (25)	120	750	13.3 (2.1)	3/8 (10)	2.3 (1.0)	2.3 (1.0)	RS	VS ⁰ 02A18S
	24 (610)	6 (152)	26 (660)	1 (25)	1 (25)	240	1100	14.6 (2.3)	3/8 (10)	3.5 (1.6)	3.5 (1.6)	RS	VS ⁰ 02A24S
3 1/2 (89)	6 (152)	7 1/2 (191)	9 1/2 (241)	2 (51)	1 3/4 (45)	60	450	13.6 (2.1)	1/2 (13)	2.0 (0.9)	1.5 (0.7)	RS	VS ⁰ 03J06S
	12 (305)	7 1/2 (191)	15 1/2 (394)	2 (51)	1 3/4 (45)	120	900	13.6 (2.1)	1/2 (13)	3.1 (1.4)	2.6 (1.2)	RS	VS ⁰ 03J12S
	18 (457)	7 1/2 (191)	21 1/2 (546)	2 (51)	1 3/4 (45)	120	1250	12.6 (2.0)	1/2 (13)	4.5 (2.0)	4.0 (1.8)	RS	VS ⁰ 03J18S
	24 (610)	7 1/2 (191)	27 1/2 (699)	2 (51)	1 3/4 (45)	240	1800	13.6 (2.1)	1/2 (13)	5.4 (2.4)	4.9 (2.2)	RS	VS ⁰ 03J24S
5 (127)	6 (152)	9 (229)	11 (279)	3 1/2 (89)	2 1/2 (64)	60	625	13.3 (2.1)	1/2 (13)	3.4 (1.5)	2.5 (1.1)	RS	VS ⁰ 05A06S
	12 (305)	9 (229)	17 (432)	3 1/2 (89)	2 1/2 (64)	120	1250	13.3 (2.1)	1/2 (13)	4.9 (2.2)	4.0 (1.8)	RS	VS ⁰ 05A12S
	18 (457)	9 (229)	23 (584)	3 1/2 (89)	2 1/2 (64)	240	1775	12.6 (2.0)	1/2 (13)	5.7 (2.6)	4.8 (2.2)	RS	VS ⁰ 05A18S
	24 (610)	9 (229)	29 (737)	3 1/2 (89)	2 1/2 (64)	240	2500	13.3 (2.1)	1/2 (13)	7.9 (3.6)	6.9 (3.1)	RS	VS ⁰ 05A24S
	30 (762)	9 (229)	35 (889)	3 1/2 (89)	2 1/2 (64)	240	3100	13.2 (2.0)	3/4 (19)	10.9 (4.9)	9.2 (4.2)	RS	VS ⁰ 05A30S
	36 (914)	9 (229)	41 (1041)	3 1/2 (89)	2 1/2 (64)	240	3550	12.6 (2.0)	3/4 (19)	13.2 (6.0)	11.5 (5.2)	M	VS ⁰ 05A36S
6 1/2 (165)	6 (152)	10 1/2 (267)	12 (305)	5 (127)	3 (76)	120	750	12.2 (1.9)	3/8 (10)	3.8 (1.7)	2.6 (1.2)	RS	VS ⁰ 06J06S
	12 (305)	10 1/2 (267)	18 (457)	5 (127)	3 (76)	240	1500	12.2 (1.9)	3/8 (10)	5.4 (2.4)	4.2 (1.9)	RS	VS ⁰ 06J12S
	18 (457)	10 1/2 (267)	24 (610)	5 (127)	3 (76)	240	2100	11.4 (1.8)	1/2 (13)	7.5 (3.4)	6.2 (2.8)	RS	VS ⁰ 06J18S
	24 (610)	10 1/2 (267)	30 (762)	5 (127)	3 (76)	240	3000	12.2 (1.9)	3/4 (19)	10.9 (4.9)	8.9 (4.0)	RS	VS ⁰ 06J24S
	30 (762)	10 1/2 (267)	36 (914)	5 (127)	3 (76)	240	3750	12.2 (1.9)	3/4 (19)	13.5 (6.1)	11.4 (5.2)	M	VS ⁰ 06J30S
	36 (914)	10 1/2 (267)	42 (1067)	5 (127)	3 (76)	240	4200	11.4 (1.8)	3/4 (19)	16.4 (7.4)	14.3 (6.5)	M	VS ⁰ 06J36S
8 (203)	6 (152)	12 (305)	12 (305)	6 1/2 (165)	3 (76)	120	900	11.6 (1.8)	1/2 (13)	5.0 (2.3)	2.8 (1.3)	M	VS ⁰ 08A06S
	12 (305)	12 (305)	18 (457)	6 1/2 (165)	3 (76)	240	1800	11.6 (1.8)	1/2 (13)	7.6 (3.4)	5.0 (2.3)	RS	VS ⁰ 08A12S
	18 (457)	12 (305)	24 (610)	6 1/2 (165)	3 (76)	240	2500	11.1 (1.7)	1/2 (13)	10.5 (4.8)	8.1 (3.7)	RS	VS ⁰ 08A18S
	24 (610)	12 (305)	30 (762)	6 1/2 (165)	3 (76)	240	3500	11.6 (1.8)	3/4 (19)	13.9 (6.3)	12.4 (5.6)	M	VS ⁰ 08A24S
	30 (762)	12 (305)	36 (914)	6 1/2 (165)	3 (76)	240	4200	11.1 (1.7)	3/4 (19)	16.6 (7.5)	14.1 (6.4)	M	VS ⁰ 08A30S
	36 (914)	12 (305)	42 (1067)	6 1/2 (165)	3 (76)	240/240	5000	11.1 (1.7)	1/2 (13)	18.0 (8.2)	15.6 (7.1)	M	VS ⁰ 08A36S [®]

CONTINUED

RAPID SHIP

- **RS** - Next day shipment up to 2 pieces for orders with part number configuration -0001R.
- All modifications to RAPID SHIP are manufacturing lead times.
- **M** - Manufacturing lead times

All units have 2 ±1/4 inch thick walls.

All units in this table are suitable for use up to 2000°F (1093°C) maximum surface temperature.

① Add Type number (Type 1 - 4) in the blank position in the part number. Example: **VS102A06S**. For unheated units, see catalog page 444.

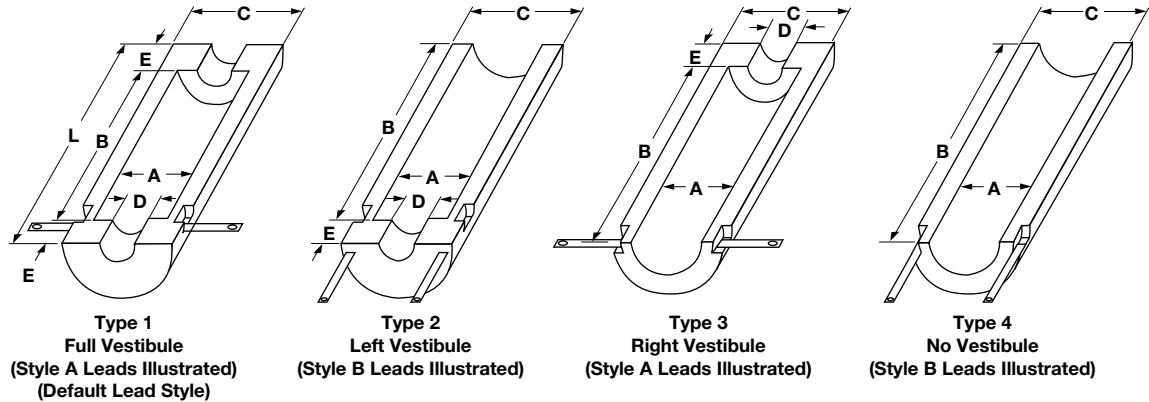
Overall length applies only to the full vestibule (Type 1) units. Types 2 and 3 are shorter by one vestibule length. Type 4 length equals (B).

Type 2 (left vestibule) and Type 3 (right vestibule) style units are not stocked. They are, however, still standard units and designs are kept on file.

② These units have dual elements to use in "parallel" for 240V usage. Alternate designs are available for 480V, 277V and three-phase (internally wired). Contact your Watlow representative.

High-Temperature Heaters

Ceramic Fiber Heaters



(Style A or B leads available on any type unit. Please specify.)

Semi-Cylindrical Units — Embedded Coiled Elements (see page 435)

Dimensions, in. (mm)						Electrical Ratings				Approx. Net Wt.		Delivery	Part Number
Heated Size			Type 1, 2, & 3 Sizes			Volts	Power (Watts) ±5%	Surface Loading W/in ² (W/cm ²)	Strip Lead Width in. (mm)	Type 1 Full Vest. lbs (kg)	Type 4 No Vest. lbs (kg)		
I.D. (A) in. (mm) ±1/8 (±3.2)	Length (B) in. (mm) +1/16 -1/8 (+1.6 - 3.2)	O.D. (C) in. (mm) (Ref)	Vestibule Sizes										
			Length (L) in. (mm) +1/16 -1/8 (+1.6 - 3.2)	Dia. (D) in. (mm) ±1/8 (±3.2)	Length (E) in. (mm) +1/16 -1/8 (+1.6 - 3.2)								
10 (254)	12 (305)	14 (356)	18 (457)	8 (203)	3 (76)	240	2100	11.1 (1.7)	1/2 (13)	9.2 (4.2)	6.5 (2.9)	M	VS₁10A12S
	18 (457)	14 (356)	24 (610)	8 (203)	3 (76)	240	3000	10.6 (1.6)	3/4 (19)	13.3 (6.0)	10.6 (4.8)	M	VS₁10A18S
	24 (610)	14 (356)	30 (762)	8 (203)	3 (76)	240	4200	11.1 (1.7)	3/4 (19)	15.5 (7.0)	12.8 (5.8)	M	VS₁10A24S
	30 (762)	14 (356)	36 (914)	8 (203)	3 (76)	240/240	5000	10.6 (1.6)	1/2 (13)	18.7 (8.5)	15.4 (7.0)	M	VS₁10A30S[®]
	36 (914)	14 (356)	42 (1067)	8 (203)	3 (76)	240/240	6000	10.6 (1.6)	3/4 (19)	22.6(10.3)	19.3 (8.8)	M	VS₁10A36S[®]
12 (305)	12 (305)	16 (406)	18 (457)	10 (254)	3 (76)	240	2500	11.1 (1.7)	1/2 (13)	9.9 (4.5)	6.8 (3.1)	RS	VS₁12A12S
	18 (457)	16 (406)	24 (610)	10 (254)	3 (76)	240	3500	10.3 (1.6)	3/4 (19)	13.0 (5.9)	9.9 (4.5)	RS	VS₁12A18S
	24 (610)	16 (406)	30 (762)	10 (254)	3 (76)	240	4200	9.3 (1.4)	3/4 (19)	18.5 (8.4)	15.4 (7.0)	RS	VS₁12A24S
	30 (762)	16 (406)	36 (914)	10 (254)	3 (76)	240/240	6000	10.6 (1.6)	3/4 (19)	22.5(10.2)	18.6 (8.4)	M	VS₁12A30S[®]
	36 (914)	16 (406)	42 (1067)	10 (254)	3 (76)	240/240	7000	10.3 (1.6)	3/4 (19)	26.9(12.2)	23.1(10.5)	M	VS₁12A36S[®]
14 (356)	12 (305)	18 (457)	18 (457)	12 (305)	3 (76)	240	3000	11.4 (1.8)	3/4 (19)	12.6 (5.7)	9.0 (4.1)	M	VS₁14A12S
	18 (457)	18 (457)	24 (610)	12 (305)	3 (76)	240	4200	10.6 (1.6)	3/4 (19)	15.3 (6.9)	11.7 (5.3)	M	VS₁14A18S
	24 (610)	18 (457)	30 (762)	12 (305)	3 (76)	240/240	6000	11.4 (1.8)	3/4 (19)	18.8 (8.5)	15.2 (6.9)	M	VS₁14A24S[®]
	30 (762)	18 (457)	36 (914)	12 (305)	3 (76)	240/240	7000	10.6 (1.6)	3/4 (19)	26.7(12.1)	22.2(10.1)	M	VS₁14A30S[®]
	36 (914)	18 (457)	42 (1067)	12 (305)	3 (76)	240/240	8400	10.6 (1.6)	3/4 (19)	31.8(14.4)	27.3(12.4)	M	VS₁14A36S[®]
16 (406)	12 (305)	20 (508)	18 (457)	14 (356)	3 (76)	240	3500	11.6 (1.8)	3/4 (19)	14.0 (6.4)	10.2 (4.6)	M	VS₁16A12S
	18 (457)	20 (508)	24 (610)	14 (356)	3 (76)	240	4200	9.3 (1.4)	3/4 (19)	16.9 (7.7)	13.1 (5.9)	M	VS₁16A18S
	24 (610)	20 (508)	30 (762)	14 (356)	3 (76)	240/240	7000	11.6 (1.8)	3/4 (19)	20.8 (9.4)	17.0 (7.7)	M	VS₁16A24S[®]
	30 (762)	20 (508)	36 (914)	14 (356)	3 (76)	240/240	7600	10.1 (1.6)	3/4 (19)	30.1(13.7)	24.2(11.0)	M	VS₁16A30S[®]
	36 (914)	20 (508)	42 (1067)	14 (356)	3 (76)	240/240	9000	9.9 (1.5)	3/4 (19)	34.4(15.6)	28.5(12.9)	M	VS₁16A36S[®]

RAPID SHIP

- **RS** - Next day shipment up to 2 pieces for orders with part number configuration -0001R.
- All modifications to RAPID SHIP are manufacturing lead times.
- **M** - Manufacturing lead times

All units in this table have 2 ±1/4 inch thick walls.

All units in this table are suitable for use up to 2000°F (1093°C) maximum surface temperature.

- ① Add Type number (Type 1 - 4) in the blank position in the part number. Example: **VS₁10A06S**. For unheated units, see catalog page 444.

Overall length applies only to the full vestibule (Type 1) Units. Types 2 and 3 are shorter by one vestibule length. Type 4 length equals (B).

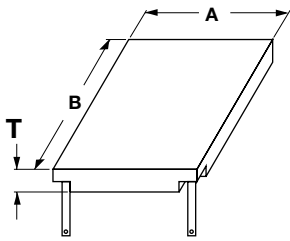
Type 2 (left vestibule) and Type 3 (right vestibule) style units are not stocked. They are, however, still standard units and designs are kept on file.

- ② These units have dual elements to use in "parallel" for 240V usage. Alternate designs are available for 480V, 277V and three-phase (internally wired). Contact your Watlow representative.

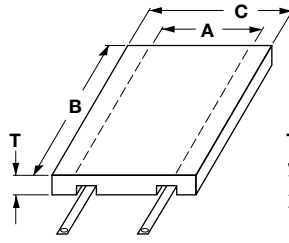
High-Temperature Heaters

Ceramic Fiber Heaters

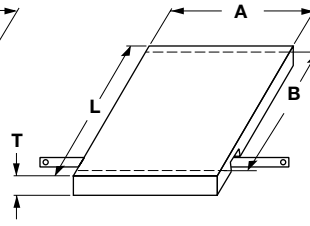
All units: T =
2 ± 1/4 inches
(51 ± 6 mm)



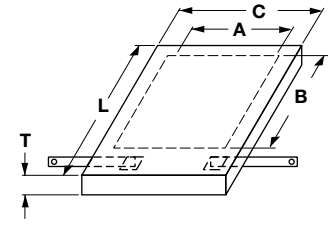
Type 5
Fully Heated
(Style A Leads Illustrated)
(Default Lead Style)



Type 6
Insulated Sides
(Style B Leads Illustrated)



Type 7
Insulated Ends
(Style C Leads Illustrated)



Type 8
Insulated All Edges
(Style C Leads Illustrated)

(Style A, B or C leads available on any type unit. Please specify.)

Flat Units—High Watt Density Sinuated Elements (see page 434)

Dimensions, in. (mm)					Electrical Rating			Strip Lead Width in. (mm)	Approximate Net Wt.			Delivery	Part No.
Heated Size		Type 6 & 8	Type 7 & 8	Volts	Power (Watts) ±5%	Surface Loading W/in ² (W/cm ²)	Type 5		Type 6 & 7	Type 8			
Width (A) in. (mm)	Length (B) in. (mm)	Width (C) in. (mm)	Length (L) in. (mm)				lbs (kg)	lbs (kg)	lbs (kg)				
6 (152)	12 (305)	10 (254)	16 (406)	60	1250	17.4 (2.7)	1/2 (13)	1.7 (0.8)	2.7 (1.6)	3.6 (1.2)	M	VF ⁰ 06A12T	
	18 (457)	10 (254)	22 (559)	120	2000	18.5 (2.9)	1/2 (13)	2.6 (1.2)	3.7 (2.1)	4.6 (1.7)	M	VF ⁰ 06A18T	
	24 (610)	10 (254)	28 (711)	120	2500	17.4 (2.7)	1/2 (13)	3.2 (1.5)	5.0 (2.7)	5.9 (2.3)	M	VF ⁰ 06A24T	
	24 (610)	10 (254)	28 (711)	240	2500	17.4 (2.7)	1/2 (13)	3.2 (1.5)	5.0 (2.7)	5.9 (2.3)	M	VF ⁰ 06A24U	
	30 (762)	10 (254)	34 (864)	240	3400	18.9 (2.9)	1/2 (13)	4.5 (2.0)	7.1 (3.6)	7.9 (3.2)	M	VF ⁰ 06A30T	
	36 (914)	10 (254)	40 (1016)	240	4000	18.5 (2.9)	1/2 (13)	5.5 (2.5)	8.5 (4.2)	9.3 (3.9)	M	VF ⁰ 06A36T	
8 (203)	12 (305)	12 (305)	16 (406)	60	1800	18.7 (2.9)	3/4 (19)	2.3 (1.0)	3.0 (1.8)	3.9 (1.4)	M	VF ⁰ 08A12T	
	18 (457)	12 (305)	22 (559)	120	3000	20.8 (3.2)	3/4 (19)	3.5 (1.6)	4.6 (2.5)	5.5 (2.1)	M	VF ⁰ 08A18T	
	24 (610)	12 (305)	28 (711)	120	3600	18.7 (2.9)	3/4 (19)	4.4 (2.0)	6.1 (3.2)	7.0 (2.8)	M	VF ⁰ 08A24T	
	30 (762)	12 (305)	34 (864)	240	5000	20.8 (3.2)	1/2 (13)	6.1 (2.8)	8.7 (4.4)	9.7 (4.0)	M	VF ⁰ 08A30T	
	36 (914)	12 (305)	40 (1016)	240	6000	20.8 (3.2)	3/4 (19)	7.0 (3.2)	10.0 (5.0)	11.0 (4.5)	M	VF ⁰ 08A36T	
	10 (254)	12 (305)	14 (356)	16 (406)	120	2000	16.7 (2.6)	1/2 (13)	2.4 (1.1)	3.7 (2.2)	4.8 (1.7)	M	VF ⁰ 10A12T
18 (457)		14 (356)	22 (559)	120	3600	20.0 (3.1)	3/4 (19)	4.0 (1.8)	5.2 (2.9)	6.3 (2.4)	M	VF ⁰ 10A18T	
24 (610)		14 (356)	28 (711)	240	4500	17.9 (2.8)	3/4 (19)	4.7 (2.1)	7.2 (3.8)	8.3 (3.3)	M	VF ⁰ 10A24T	
30 (762)		14 (356)	34 (864)	240	6000	20.0 (3.1)	3/4 (19)	6.7 (3.0)	9.3 (4.8)	10.5 (4.2)	M	VF ⁰ 10A30T	
36 (914)		14 (356)	40 (1016)	240	7200	20.0 (3.1)	3/4 (19)	8.5 (3.9)	11.5 (5.8)	12.7 (5.2)	M	VF ⁰ 10A36T	
12 (305)		12 (305)	16 (406)	16 (406)	120	2500	17.4 (2.7)	1/2 (13)	2.9 (1.3)	4.3 (2.5)	5.5 (2.0)	M	VF ⁰ 12A12T
	12 (305)	16 (406)	16 (406)	240	2500	17.4 (2.7)	3/8 (10)	2.9 (1.3)	4.3 (2.5)	5.5 (2.0)	M	VF ⁰ 12A12U	
	18 (457)	16 (406)	22 (559)	240	4000	18.5 (2.9)	1/2 (13)	4.5 (2.0)	6.1 (3.3)	7.3 (2.8)	M	VF ⁰ 12A18T	
	24 (610)	16 (406)	28 (711)	240	6000	20.8 (3.2)	3/4 (19)	6.6 (3.0)	8.6 (4.4)	9.8 (3.9)	M	VF ⁰ 12A24T	
	30 (762)	16 (406)	34 (864)	240	7200	20.0 (3.1)	3/4 (19)	8.6 (3.9)	11.2 (5.7)	12.6 (5.1)	M	VF ⁰ 12A30T	
	36 (914)	16 (406)	40 (1016)	240/240	8400	19.4 (3.0)	3/4 (19)	10.2 (4.6)	13.2 (6.6)	14.6 (6.0)	M	VF ⁰ 12A36T [®]	
14 (356)	12 (305)	18 (457)	16 (406)	120	3500	20.8 (3.2)	3/4 (19)	4.2 (1.9)	5.3 (3.0)	6.7 (2.4)	M	VF ⁰ 14A12T	
	18 (457)	18 (457)	22 (559)	240	4900	19.4 (3.0)	1/2 (13)	6.1 (2.8)	7.6 (4.1)	9.1 (3.4)	M	VF ⁰ 14A18T	
	24 (610)	18 (457)	28 (711)	240	7000	20.8 (3.2)	3/4 (19)	8.5 (3.9)	10.5 (5.4)	11.9 (4.8)	M	VF ⁰ 14A24T	
	30 (762)	18 (457)	34 (864)	240/240	8400	20.0 (3.1)	3/4 (19)	10.7 (4.9)	13.2 (6.6)	14.6 (6.0)	M	VF ⁰ 14A30T [®]	
	36 (914)	18 (457)	40 (1016)	240/240	9800	19.4 (3.0)	1/2 (13)	12.2 (5.5)	15.2 (7.5)	16.6 (6.9)	M	VF ⁰ 14A36T [®]	
	16 (406)	12 (305)	20 (508)	16 (406)	120	3550	18.5 (2.9)	3/4 (19)	4.7 (2.1)	5.7 (3.4)	7.4 (2.6)	M	VF ⁰ 16A12T
18 (457)		20 (508)	22 (559)	240	5750	20.0 (3.1)	3/4 (19)	7.1 (3.2)	8.6 (4.7)	10.3 (3.9)	M	VF ⁰ 16A18T	
24 (610)		20 (508)	28 (711)	240	7100	18.5 (2.9)	3/4 (19)	9.5 (4.3)	11.5 (6.0)	13.2 (5.2)	M	VF ⁰ 16A24T	
30 (762)		20 (508)	34 (864)	240/240	9600	20.0 (3.1)	1/2 (13)	11.7 (5.3)	14.2 (7.2)	15.9 (6.4)	M	VF ⁰ 16A30T [®]	
36 (914)		20 (508)	40 (1016)	240/240	11,500	20.0 (3.1)	3/4 (19)	14.2 (6.4)	17.2 (8.6)	18.9 (7.8)	M	VF ⁰ 16A36T [®]	

• M - Manufacturing lead times

All units in this table are suitable for use up to 1800°F (982°C) maximum surface temperature.

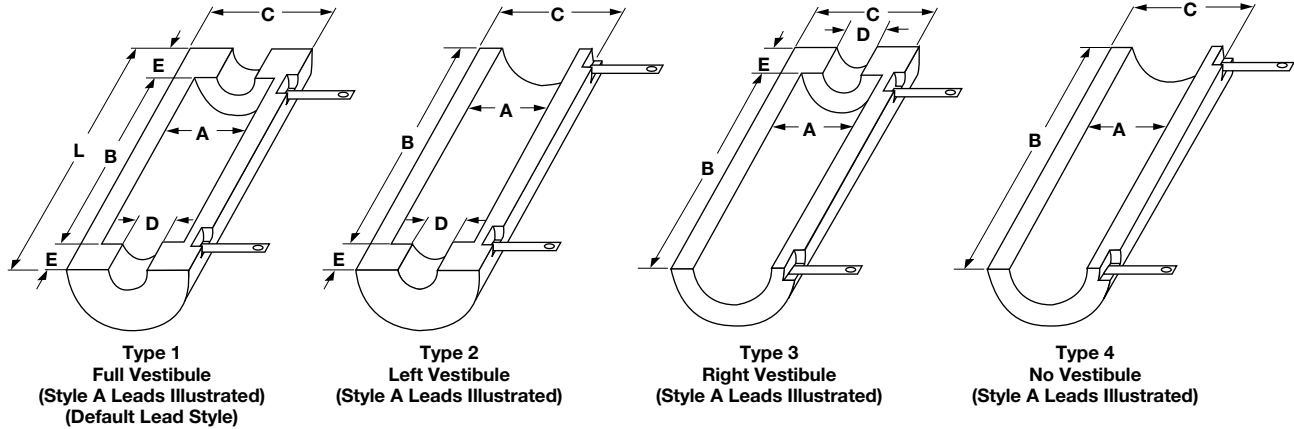
① Add Type number (Type 5 - 8) in the blank position in the part number. Example: VF⁰06A12T. For unheated units, see catalog page 444.

Sinuated wire, high watt density units are provided with embedded sinuated elements and high emissivity coating unless exposed sinuated is specified when manufactured. (These are not stocked.) Contact your Watlow representative.

② These units have dual elements to use in "parallel" for 240V usage. Alternate designs are available for 480V, 277V and three-phase (internally wired). Contact your Watlow representative.

High-Temperature Heaters

Ceramic Fiber Heaters



Semi-Cylindrical Units—High Watt Density Sinuated Elements (see page 434)

Dimensions, in. (mm)						Electrical Ratings			Strip Lead Width in. (mm)	Approx. Net Wt.		Delivery	Part Number
Heated Size		Type 1, 2, & 3 Sizes				Volts	Power (Watts) ±5%	Surface Loading W/in ² (W/cm ²)		Type 1 Full Vest. lbs (kg)	Type 4 No Vest. lbs (kg)		
I.D. (A) in. (mm) ±1/8 (±3.2)	Length (B) in. (mm) +1/16 -1/8 (+1.6 - 3.2)	O.D. (C) in. (mm) (Ref)	Vestibule Sizes										
			Length (L) in. (mm) +1/16 -1/8 (+1.6 - 3.2)	Dia. (D) in. (mm) ±1/8 (±3.2)	Length (E) in. (mm) +1/16 -1/8 (+1.6 - 3.2)								
5 (127)	6 (152)	9 (229)	11 (279)	3 1/2 (89)	2 1/2 (64)	60	750	15.9 (2.5)	3/8 (10)	3.1 (1.4)	2.3 (1.0)	M	VS [®] 05A06T
	12 (305)	9 (229)	17 (432)	3 1/2 (89)	2 1/2 (64)	60	1400	14.9 (2.3)	3/4 (19)	4.5 (2.0)	3.6 (1.6)	M	VS [®] 05A12T
	18 (457)	9 (229)	23 (584)	3 1/2 (89)	2 1/2 (64)	120	2100	14.9 (2.3)	1/2 (13)	5.2 (2.4)	4.3 (2.0)	M	VS [®] 05A18T
	24 (610)	9 (229)	29 (737)	3 1/2 (89)	2 1/2 (64)	120	2800	14.9 (2.3)	3/4 (19)	6.9 (3.1)	6.0 (2.7)	M	VS [®] 05A24T
	30 (762)	9 (229)	35 (889)	3 1/2 (89)	2 1/2 (64)	240	3500	14.9 (2.3)	1/2 (13)	8.3 (3.8)	7.4 (3.4)	M	VS [®] 05A30T
	36 (914)	9 (229)	41 (102)	3 1/2 (89)	2 1/2 (64)	240	4200	14.9 (2.3)	1/2 (13)	9.6 (4.4)	8.7 (3.9)	M	VS [®] 05A36T
6 1/2 (165)	6 (152)	10 1/2 (267)	12 (305)	5 (127)	3 (76)	60	1000	16.3 (2.5)	1/2 (13)	3.6 (1.6)	2.4 (1.1)	M	VS [®] 06J06T
	12 (305)	10 1/2 (267)	18 (457)	5 (127)	3 (76)	120	2000	16.3 (2.5)	1/2 (13)	5.1 (2.3)	3.9 (1.8)	M	VS [®] 06J12T
	18 (457)	10 1/2 (267)	24 (610)	5 (127)	3 (76)	120	3000	16.3 (2.5)	3/4 (19)	6.8 (3.1)	5.6 (2.5)	M	VS [®] 06J18T
	24 (610)	10 1/2 (267)	30 (762)	5 (127)	3 (76)	240	4000	16.3 (2.5)	1/2 (13)	9.5 (4.3)	7.4 (3.4)	M	VS [®] 06J24T
	30 (762)	10 1/2 (267)	36 (914)	5 (127)	3 (76)	240	5000	16.3 (2.5)	1/2 (13)	11.0 (5.0)	9.3 (4.2)	M	VS [®] 06J30T
	36 (914)	10 1/2 (267)	42 (1067)	5 (127)	3 (76)	240	6000	16.3 (2.5)	3/4 (19)	12.4 (5.6)	11.2 (5.1)	M	VS [®] 06J36T
8 (203)	6 (152)	12 (305)	12 (305)	6 1/2 (165)	3 (76)	60	1300	17.2 (2.7)	1/2 (13)	4.1 (1.9)	2.6 (1.2)	M	VS [®] 08A06T
	12 (305)	12 (305)	18 (457)	6 1/2 (165)	3 (76)	120	2600	17.2 (2.7)	1/2 (13)	6.9 (3.1)	5.4 (2.4)	M	VS [®] 08A12T
	18 (457)	12 (305)	24 (610)	6 1/2 (165)	3 (76)	240	3900	17.2 (2.7)	1/2 (13)	8.5 (3.9)	7.0 (3.2)	M	VS [®] 08A18T
	24 (610)	12 (305)	30 (762)	6 1/2 (165)	3 (76)	240	5200	17.2 (2.7)	1/2 (13)	12.0 (5.4)	10.5 (4.8)	M	VS [®] 08A24T
	30 (762)	12 (305)	36 (914)	6 1/2 (165)	3 (76)	240	6250	16.7 (2.6)	3/4 (19)	13.8 (6.3)	12.3 (5.6)	M	VS [®] 08A30T
	36 (914)	12 (305)	42 (1067)	6 1/2 (165)	3 (76)	240/240	7800	17.2 (2.7)	3/4 (19)	15.6 (7.1)	14.1 (6.4)	M	VS [®] 08A36T [®]

CONTINUED

• M - Manufacturing lead times

All units in this table have 2 ±1/4 inch thick walls.

All units in this table are suitable for use up to 1800°F (982°C) maximum surface temperature.

① Add Type number (Type 1 - 4) in the blank position in the part number. Example: **VS106J06T**. For unheated units, see catalog page 444.

Sinuated wire, high watt density units are provided with embedded sinuated elements and high emissivity coating unless exposed sinuated is specified when manufactured. (These are not stocked.) Contact your Watlow representative.

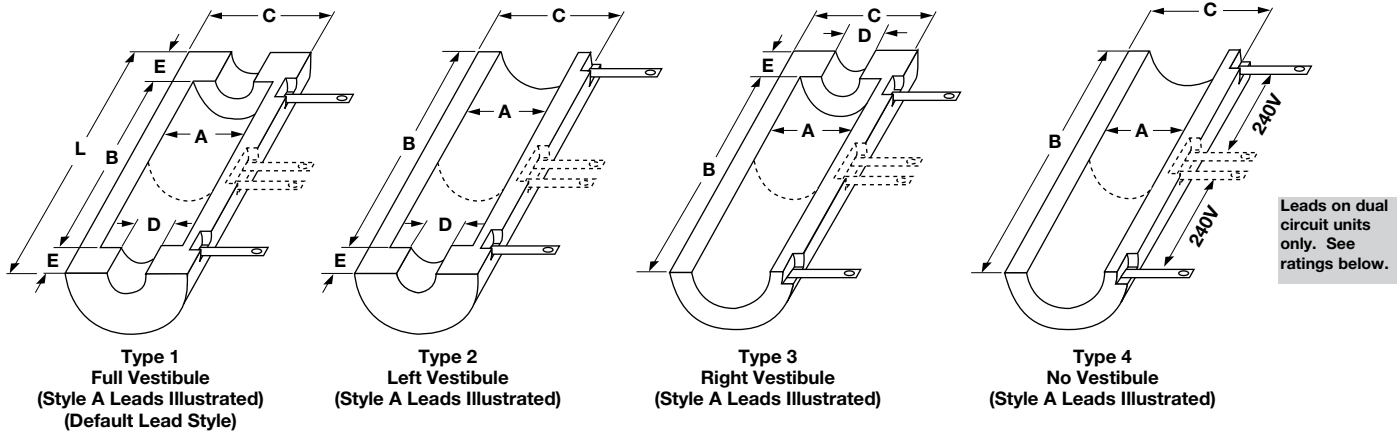
Overall length applies only to the full vestibule (Type 1) units. Types 2 and 3 are shorter by one vestibule length. Type 4 length equals (B).

Type 2 (left vestibule) and Type 3 (right vestibule) style units are not stocked. They are, however, still standard units and designs are kept on file.

② These units have dual elements to use in "parallel" for 240V usage. Alternate designs are available for 480V, 277V and three-phase (internally wired). Contact your Watlow representative.

High-Temperature Heaters

Ceramic Fiber Heaters



Semi-Cylindrical Units—High Watt Density Sinuated Elements (see page 434)

Dimensions, in. (mm)						Electrical Ratings			Approx. Net Wt.		Delivery	Part Number	
Heated Size			Type 1, 2, & 3 Sizes			Volts	Power (Watts) ±5%	Surface Loading W/in ² (W/cm ²)	Strip Lead Width in. (mm)	Approx. Net Wt.			
I.D. (A) in. (mm) ±1/8 (±3.2)	Length (B) in. (mm) +1/16 -1/8 (+1.6 - 3.2)	O.D. (C) in. (mm) (Ref)	Vestibule Sizes							Type 1 Full Vest.	Type 4 No Vest.		
			Length (L) in. (mm) +1/16 -1/8 (+1.6 - 3.2)	Dia. (D) in. (mm) ±1/8 (±3.2)	Length (E) in. (mm) +1/16 -1/8 (+1.6 - 3.2)	lbs (kg)	lbs (kg)						
10 (254)	12 (305)	14 (356)	18 (457)	8 (203)	3 (76)	240	3200	17.0 (2.6)	1/2 (13)	8.5 (3.9)	5.8 (2.6)	M	VS ^① 10A12T
	18 (457)	14 (356)	24 (610)	8 (203)	3 (76)	240	4800	17.0 (2.6)	1/2 (13)	12.0 (5.4)	9.3 (4.2)	M	VS ^① 10A18T
	24 (610)	14 (356)	30 (762)	8 (203)	3 (76)	240	6400	17.0 (2.6)	3/4 (19)	13.8 (6.3)	11.1 (5.0)	M	VS ^① 10A24T
	30 (762)	14 (356)	36 (914)	8 (203)	3 (76)	240/240	8000	17.0 (2.6)	3/4 (19)	17.6 (8.0)	14.9 (6.8)	M	VS ^① 10A30T ^②
	36 (914)	14 (356)	42 (1067)	8 (203)	3 (76)	240/240	9600	17.0 (2.6)	1/2 (13)	21.3 (9.7)	18.6 (8.4)	M	VS ^① 10A36T ^②
12 (305)	12 (305)	16 (406)	18 (457)	10 (254)	3 (76)	240	3800	16.8 (2.6)	1/2 (13)	8.9 (4.0)	5.9 (2.7)	M	VS ^① 12A12T
	18 (457)	16 (406)	24 (610)	10 (254)	3 (76)	240	5700	16.8 (2.6)	3/4 (19)	11.2 (5.1)	8.1 (3.7)	M	VS ^① 12A18T
	24 (610)	16 (406)	30 (762)	10 (254)	3 (76)	240	7600	16.8 (2.6)	3/4 (19)	16.7 (7.6)	13.6 (6.2)	M	VS ^① 12A24T
	30 (762)	16 (406)	36 (914)	10 (254)	3 (76)	240/240	9600	17.0 (2.6)	1/2 (13)	18.0 (8.2)	14.9 (6.8)	M	VS ^① 12A30T ^②
	36 (914)	16 (406)	42 (1067)	10 (254)	3 (76)	240/240	11400	16.8 (2.6)	3/4 (19)	19.2 (8.7)	16.1 (7.3)	M	VS ^① 12A36T ^②
14 (356)	12 (305)	18 (457)	18 (457)	12 (305)	3 (76)	240	4400	16.7 (2.6)	1/2 (13)	11.4 (5.2)	7.7 (3.5)	M	VS ^① 14A12T
	18 (457)	18 (457)	24 (610)	12 (305)	3 (76)	240	6600	16.7 (2.6)	3/4 (19)	12.9 (5.9)	9.4 (4.3)	M	VS ^① 14A18T
	24 (610)	18 (457)	30 (762)	12 (305)	3 (76)	240/240	8800	16.7 (2.6)	1/2 (13)	16.3 (7.4)	12.7 (5.8)	M	VS ^① 14A24T ^②
	30 (762)	18 (457)	36 (914)	12 (305)	3 (76)	240/240	11400	17.3 (2.7)	3/4 (19)	19.4 (8.8)	15.8 (7.2)	M	VS ^① 14A30T ^②
	36 (914)	18 (457)	42 (1067)	12 (305)	3 (76)	240/240	13200	16.7 (2.6)	3/4 (19)	22.4 (10.2)	18.8 (8.5)	M	VS ^① 14A36T ^②
16 (406)	12 (305)	20 (508)	18 (457)	14 (356)	3 (76)	240	5000	16.6 (2.6)	1/2 (13)	11.8 (5.4)	8.0 (3.6)	M	VS ^① 16A12T
	18 (457)	20 (508)	24 (610)	14 (356)	3 (76)	240/240	7500	16.6 (2.6)	3/4 (19)	15.1 (6.8)	11.3 (5.1)	M	VS ^① 16A18T
	24 (610)	20 (508)	30 (762)	14 (356)	3 (76)	240/240	10,000	16.6 (2.6)	1/2 (13)	18.1 (8.2)	14.3 (6.5)	M	VS ^① 16A24T ^②
	30 (762)	20 (508)	36 (914)	14 (356)	3 (76)	240/240	12,800	16.8 (2.6)	3/4 (19)	22.3 (10.1)	18.5 (8.4)	M	VS ^① 16A30T ^②
	36 (914)	20 (508)	42 (1067)	14 (356)	3 (76)	240/240	15,000	16.6 (2.6)	3/4 (19)	26.4 (12.0)	22.6 (10.3)	M	VS ^① 16A36T ^②

• M - Manufacturing lead times

All units in this table have 2 ±1/4 inch thick walls.

All units in this table are suitable for use up to 1800°F (982°C) maximum surface temperature.

① Add Type number (Type 1 through 4) in the blank position in the part number. Example **VS^①106J06T**.
For unheated units, see catalog page 444.

Sinuated wire, high watt density units are provided with embedded sinuated elements and high emissivity coating unless exposed sinuated is specified when manufactured. (These are not stocked.) Contact your Watlow representative.

Overall length applies only to the full vestibule (Type 1) units. Types 2 and 3 are shorter by one Vestibule length. Type 4 length equals (B).

Type 2 (left vestibule) and Type 3 (right vestibule) style units are not stocked. They are, however, still standard units and designs are kept on file.

② These units have dual elements to use in "parallel" for 240V usage. Alternate designs are available for 480V, 277V and three-phase (internally wired). Contact your Watlow representative.

High-Temperature Heaters

Ceramic Fiber Heaters

Ordering Information

VF - Flat

VS - Semi-Cylindrical

Part Number

①	②	③	④	⑤	⑥	⑦	⑧	⑨	⑩	⑪	⑫	⑬	⑭
Base Code Nbr.	Base Code Nbr.	Base Code Nbr.	Base Code Nbr.	Base Code Nbr.	Base Code Nbr.	Base Code Nbr.	Base Code Nbr.	Base Code Nbr.	Modification Options			Lead Options	Lead Length
V	F	5	1	2	A	1	2	S		0	0		

① ② ③ ④ ⑤ ⑥ ⑦ ⑧ ⑨ Base Code Number

⑩ Modification Options	
0 =	None
A =	0.140 thermocouple tube I.D. center of heated length of unit
B =	0.265 thermocouple tube I.D. center of heated length of unit
E =	Black surface coat
F =	Black surface coat 0.140 thermocouple tube I.D. center of heated length of unit
G =	Black surface coat 0.265 thermocouple tube I.D. center of heated length of unit

⑬ Lead Options	
0 =	None
1 =	601 Alloy 600 strip A style
2 =	601 Alloy 600 strip B style
3 =	601 Alloy 600 strip C style
9 =	Flex NI, MGT A style
A =	Flex NI, MGT B style
B =	Flex NI, MGT C style
E =	Chromel® -A / NI, A style
F =	Chromel® -A / NI, B style
G =	Chromel® -A / NI, C style

⑭ Lead Length

A =	0 in.	T =	14 in.
B =	1 in.	U =	15 in.
E =	2 in.	V =	16 in.
F =	3 in.	W =	17 in.
G =	4 in.	X =	18 in.
H =	5 in.	Y =	19 in.
J =	6 in.	1 =	20 in.
K =	7 in.	2 =	21 in.
L =	8 in.	3 =	22 in.
M =	9 in.	4 =	23 in.
N =	10 in.	6 =	24 in.
P =	11 in.	7 =	30 in.
R =	12 in.	8 =	36 in.
S =	13 in.	9 =	42 in.

Notes:

- If the order is placed before 11:00 AM CST, heaters with standard leads (...1R or ...2R) ship the same day. Heaters with non-standard leads ship the next day.
- The BTE (between-the-element) is NOT covered in this system yet. Please contact your Watlow representative for availability.

High-Temperature Heaters

Ceramic Fiber Heaters

How to Order

Made-to-Order Units

Ordering Information

Quantity: When ordering, specify quantity of units desired. Semi-cylindrical units are sold as “each half.” Two halves to make a pair are usually required. Please include the number of desired spares or extras in the total quantity.

Part number: Use the part number if an exact re-order of a previously designed made-to-order unit is needed. Please reconfirm volts and watts, lead orientation and length. Most heaters allow selection of several stock modifications (see page 446) and termination options (see pages 440 and 441).

Dimensions for made-to-order units: Include a drawing if possible. Specify the heated area, width and length, overall width/length, thickness, electrical ratings, etc.

Wattage: 6.5 to 25 W/in² (1.0 - 3.9 W/cm²) on the heating surface is the recommended watt density range for operation in the 1500 to 2200°F (815 - 1204°C) range. (Note: At the higher temperatures, lower watt densities must be employed.) Please provide operating temperatures and conditions. Contact your Watlow representative for higher watt densities at other temperatures. Generally, for higher operating temperature limits, lower watt densities must be used.

Voltage: 60, 120 and 240VAC are offered on units. However, up to 600 volts is possible with extended capabilities. Internally connected three-lead, three-phase units are also available on made-to-order units (these are normally internally wye-connected). Contact your Watlow representative on special voltage requirements.

Leads: Lead length and orientation (i.e. **Style A, B or C**). Lead **Style A**, 12 in. (305 mm) long.

Shipping weight: The product listing tables show net weights per unit. To estimate gross shipping weight, add 30 percent to the total. Additional shipping/packaging charges may be incurred for certain large orders. Due to the light weight but large size of these heaters, dimensional box weighting may occur on expedited air shipments.

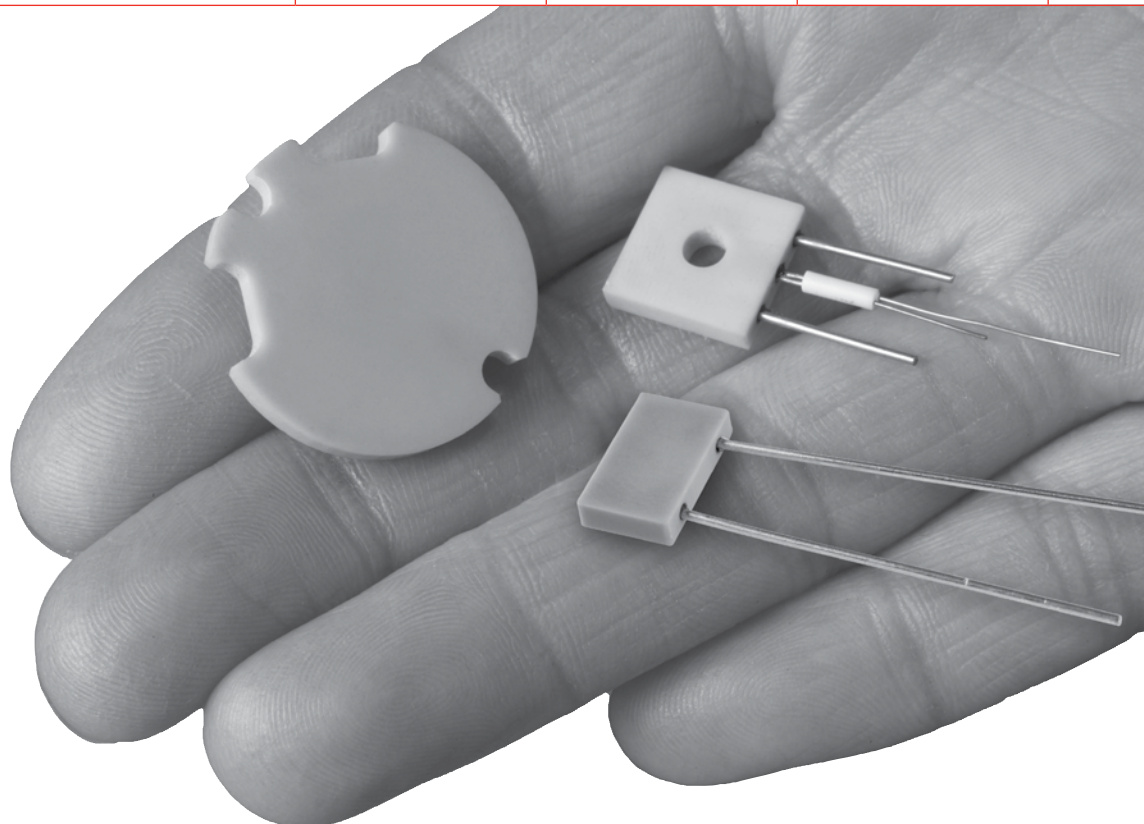
Ordering Hints

Ordering ceramic fiber heaters is easy. However, it is very important to pay attention to part numbers and special modifications details.

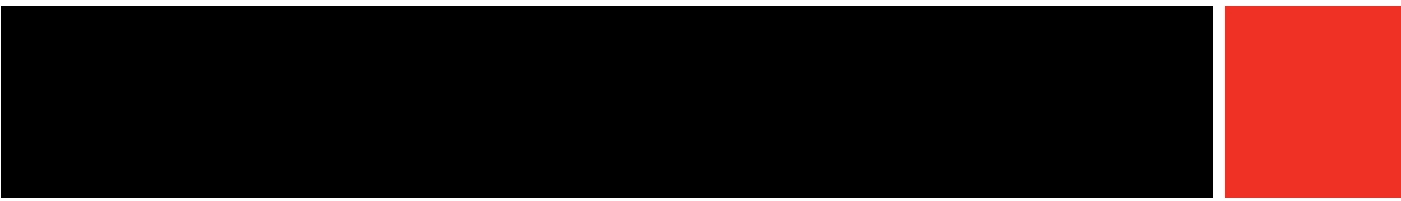
- Always fill in the “..._...” (blank) code position with the correct Type number (see illustrations above the charts).
- Always provide the correct Lead Style letter. (See suggested illustrations above the charts, but Style A-12 will be the default lead if not otherwise specified.)
- Supply a drawing or sketch whenever possible to eliminate confusion.
- When ordering Type 6, 7, 8 units, be certain of the heated area and no-heat area orientations desired.
- When planning to order Type 2 and/or Type 3 units (left or right vestibule), there are three options to consider—two of which could be used on the Type 1 items:
 1. Order the appropriate full vestibule unit. The customer can carefully remove the unneeded vestibule.
 2. Order the full vestibule unit. Prior to shipping Watlow will remove the unneeded vestibule as a stock modification. There is a small additional charge for this.
 3. Special order the desired Type 2 or 3 unit. This requires extended manufacturing of the heater and increases delivery time, but will minimize costs.

Specialty Heaters

Specialty Heaters	Sheath Materials	Max. Operating Temperatures		Typical Max. Watt Densities		Page
		°F	°C	W/in ²	W/cm ²	
ULTRAMIC® Advanced Ceramic	Aluminum nitride	1112	600	1000	155	459
Thick Film Conduction	430 stainless steel	1022	550	75	11.6	463
Coil/Cable	304 stainless steel or alloy 600	1200	650	30	4.6	467



Specialty Heaters



Specialty Heaters

ULTRAMIC® Advanced Ceramic Heaters

Watlow's high performance ULTRAMIC® advanced ceramic heaters are designed for thermal applications that require optimal effectiveness of equipment and processes.

Constructed with aluminum nitride (AlN), ULTRAMIC heaters' thermally matched proprietary heating element provides maximum performance in challenging applications. AlN is especially suitable for applications that require a clean, non-contaminating heat source. Its excellent geometric stability ensures consistent part-to-part thermal contact during heating cycles.

Watlow AlN heaters operate up to 400°C (752°F)^① with an ultra-fast ramp rate of up to 150°C (270°F) per second depending on the application, heater design and process parameters. In addition to its excellent thermal characteristics, the ULTRAMIC provides high electrical isolation and typically provides superior chemical resistance compared to traditional metal heaters.

Performance Capabilities

- Standard operating temperature up to 400°C (752°F)^①
- Watt densities up to 155 W/cm² (1000 W/in²)
- Temperature ramp rate up to 150°C (270°F) per second (depending on application parameters)

Features and Benefits

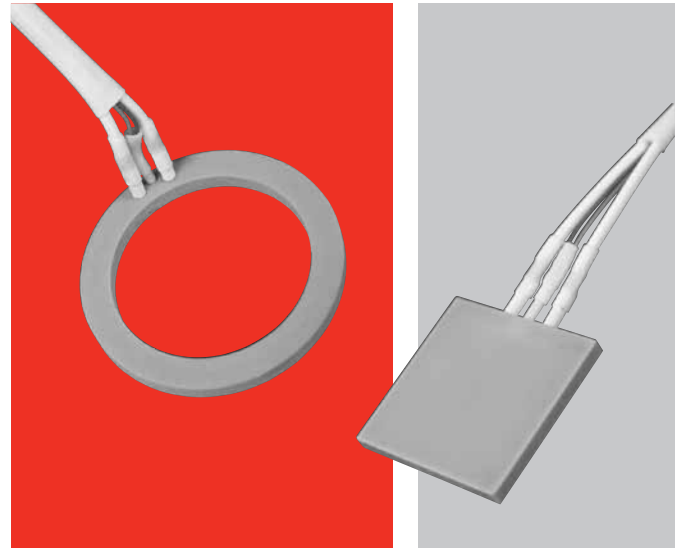
Robust AlN ceramic

- Creates a homogeneous assembly for atmospheric and vacuum applications
- Provides durable heater construction and thermal transfer necessary for high temperature and long heater life
- Supports the design of a high watt density, fast responding heater in a very small package
- Ensures geometric stability due to low coefficient of thermal expansion

Superior electrical performance

- Assures low leakage current
- Enables high breakdown voltage

^① 400°C (752°F) operating temperature is standard. High temperature terminations between 400 and 600°C (752 and 1112°F) are available as an extended capability. Contact your Watlow representative for information.



High thermal conductivity

- Makes for an ultra-fast temperature ramp rate of up to 150°C (270°F) per second (depending on application parameters)
- Allows for quick cool-down
- Provides extremely uniform temperatures over the heater's surface

Type K thermocouple integrated into assembly

- Ensures reliable heater/sensor interface
- Improves accuracy with optimized temperature sensing
- Provides ramping applications with a high response rate

UL® and CE agency compliance

- Meets global safety standards
- Includes RoHS compliance

Typical Applications

- Wire and die bonding
- Integrated circuit (IC) chip testing
- Mass spectrometry
- Medical devices
- Plastic welding/sealing
- Respiratory therapy equipment

Specialty Heaters

ULTRAMIC Advanced Ceramic Heaters

Technical Data

Mounting Guidelines

- Temperature <math><200^{\circ}\text{C}</math> (392°F): bond with high-temperature epoxy adhesive
- Clamp using single or multiple-point fasteners

Optional Thermocouple

- Bonded Type K thermocouple for <math><400^{\circ}\text{C}</math> (752°F)

Specifications and Tolerances

Surface Finish

- Flatness: <math><0.05\text{ mm}</math> (0.002 in.)
- Parallelism: <math><0.05\text{ mm}</math> (0.002 in.)
- Surface roughness (Ra): <math><1.5\text{ }\mu\text{m}</math>

Electrical Properties

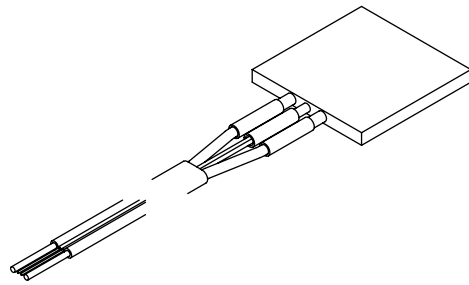
- TCR: $0.0015/^{\circ}\text{C}$
- Resistance tolerance: $\pm 25\%$

Intellectual Property

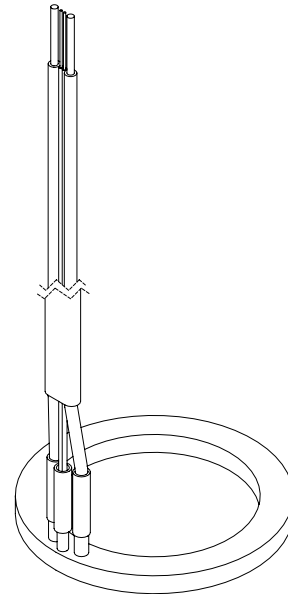
- U.S. Patents 7,696,455 and 7,832,616

Lead Wire and Terminations

- Power terminals exit locations — extended from side edge or top face
- PTFE insulated silver-plated copper lead extension
- Lead extension length — standard length 305 mm (12 in.)
- Optional length of ceramic beads



Side Lead Exit



Top Lead Exit

Extended Capabilities For ULTRAMIC Advanced Ceramic Heaters

Features and Benefits

Rapid prototyping with finite element analysis (FEA)

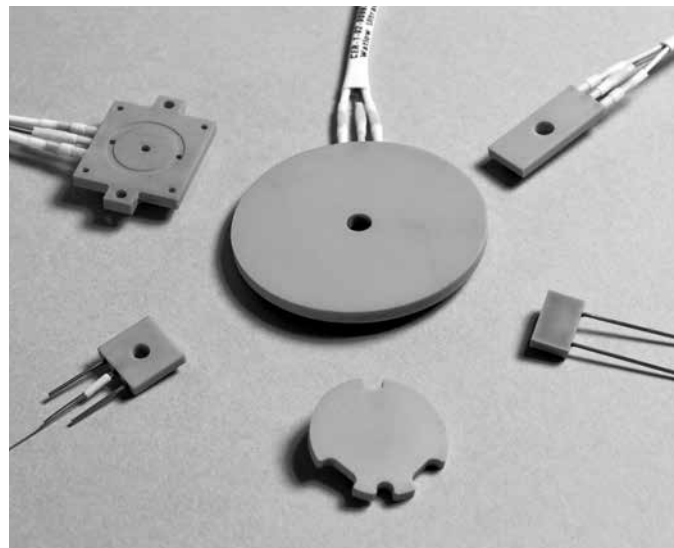
- Provides rapid “virtual prototyping” of heater performance prior to the manufacturing process
- Allows custom prototype delivery in weeks rather than months with innovative design and manufacturing practices

Mounting Guidelines^①

- In addition to the options listed on the previous page, a screw hole can be provided on custom designs (recommend insulation buffer such as mica spacer)

Optional Sensors

- In addition to, or in place of the standard bonded thermocouple, a drilled hole or slot can be provided for installing an externally mounted sensor



Configurations and Dimensions

Maximum Area 4032 mm ² (6.25 in ²)				
	Length	Width	Thickness	Aspect Ratio
Flat Square	Min: 10 mm (0.393 in.) Max: 63.5 mm (2.5 in.)		Min: 2.5 mm (0.098 in.) Max: 5 mm (0.196 in.)	1
Rectangular	Max: 100 mm (3.94 in.)	Min: 8 mm (0.315 in.)	Min: 2.5 mm (0.098 in.) Max: 5 mm (0.196 in.)	<10
	Inside Diameter I.D.	Outside Diameter O.D.	Thickness	Ring Wall Thickness
Ring	Min: 0	Max: O.D. 77.5 mm (3.05 in.)	Min: 2.5 mm (0.098 in.) Max: 5 mm (0.196 in.)	Min wall thickness: 3 mm (0.118 in.)
Machined Features				
Straight Groove Custom Feature			Hole Size Round Diameter	
Depth: 0.5 mm min. (0.019 in.) Width: 1 to 2 mm (0.039 to 0.078 in.)			Min: 1 mm (0.039 in.)	
Electrical Properties				
Voltage			Termination Area Max. Temperature	
12 to 480V			400°C (752°F) standard, 600°C (1112°F) extended capability	

^① See www.watlow.com/ultramic for detailed mounting guide.

Specialty Heaters

ULTRAMIC Advanced Ceramic Heaters

Technical Data

Product Ordering Information

Part Number	Dimensions mm (in.)	Thickness mm (in.)	Watt Density	Watts	Volts	Lead Exit
Square						
CER-1-01-00002	25 mm x 25 mm (0.98 in. x 0.98 in.)	2.5 mm (0.10 in.)	High	967	240	Side
CER-1-01-00374	50 mm x 50 mm (1.97 in. x 1.97 in.)	3.0 mm (0.12 in.)	Medium	1938	240	Side
CER-1-01-00093	25 mm x 25 mm (0.98 in. x 0.98 in.)	2.5 mm (0.10 in.)	Low	150	120	Side
CER-1-01-00097	19 mm x 19 mm (0.75 in. x 0.75 in.)	2.5 mm (0.10 in.)	Low	200	120	Side
CER-1-01-00333	15 mm x 15 mm (0.59 in. x 0.59 in.)	2.5 mm (0.10 in.)	Medium	150	48	Side
CER-1-01-00334	12 mm x 12 mm (0.47 in. x 0.47 in.)	2.5 mm (0.10 in.)	High	200	48	Side
CER-1-01-00335	8 mm x 8 mm (0.31 in. x 0.31 in.)	3.0 mm (0.12 in.)	Low	21.5	12	Top
Heaters With Holes						
CER-1-01-00540	12 mm x 12 mm ^① (0.47 in. x 0.47 in.)	2.5 mm (0.10 in.)	Medium	100	24	Side
CER-1-01-00541	25 mm x 25 mm ^② (0.98 in. x 0.98 in.)	2.5 mm (0.10 in.)	High	800	120	Side
CER-1-01-00542	50 mm x 50 mm ^② (1.97 in. x 1.97 in.)	3.0 mm (0.12 in.)	Medium	1500	240	Side
Rectangular						
CER-1-01-00001	25 mm x 15 mm (0.98 in. x 0.6 in.)	2.5 mm (0.10 in.)	High	580	120	Side
CER-1-01-00003	50 mm x 10 mm (1.97 in. x 0.39 in.)	2.5 mm (0.10 in.)	Medium	582	120	Side
CER-1-01-00004	50 mm x 10 mm (1.97 in. x 0.39 in.)	2.5 mm (0.10 in.)	High	770	240	Side
CER-1-01-00005	50 mm x 25 mm (1.97 in. x 0.98 in.)	2.5 mm (0.10 in.)	Medium	1453	240	Side
CER-1-01-00007	75 mm x 25 mm (2.95 in. x 0.98 in.)	2.5 mm (0.10 in.)	Medium	1455	240	Side
CER-1-01-00098	25 mm x 15 mm (0.98 in. x 0.6 in.)	2.5 mm (0.10 in.)	Low	180	120	Side
CER-1-01-00105	50 mm x 25 mm (1.97 in. x 0.98 in.)	2.5 mm (0.10 in.)	Low	100	120	Side
Ring						
CER-1-02-00001	38 mm x 29 mm (1.50 in. x 1.14 in.)	3.0 mm (0.12 in.)	High	733	120	Top
CER-1-02-00002	77.5 mm x 59 mm (3.05 in. x 2.32 in.)	3.0 mm (0.12 in.)	Medium	770	240	Top
CER-1-02-00074	25.4 mm solid disk (1 in.)	2.5 mm (0.10 in.)	Medium	300	120	Side

RAPID SHIP

• RS - Next day shipment

^① 3 mm (0.12 in.) hole in center of heater

^② 5 mm (0.19 in.) hole in center of heater

See page 460 for lead exit details (full drawings and current list of standard designs available at www.watlow.com/ultramic)

Configurations include:

- Power lead wires with 305 mm (12 in.) of PTFE insulation
- Bonded Type K thermocouple with 305 mm (12 in.) PTFE insulated lead wires

Note: Maximum temperature is 400°C (752°F). Lead wires are rated to 205°C (401°F).

If ceramic beads are required, please contact your Watlow representative for a quote.

Specialty Heaters

Thick Film Conduction Heaters

The Watlow 430 stainless steel thick film conduction heater is ideal for many applications where fast response and uniformity are essential. A clamp-on, thick film heater provides the best possible combination of heat transfer, thermal efficiency, temperature response and uniformity in a low profile package.

This high-performance heater can be used in areas where space is limited or where conventional heaters cannot be used due to limited voltage and wattage combinations.

Thick film conduction heaters provide a low profile in a variety of shapes including two-dimensional circular and rectangular forms. Direct contact of thick film heaters to surfaces ensures efficient heat transfer through thermally stable substrates and precise resistance trace patterns.

Performance Capabilities

- Maximum substrate temperature up to 1022°F (550°C). Contact your Watlow representative for applications over 842°F (450°C)
- Watt densities up to 75 W/in² (11.6 W/cm²)
- Voltages up to 240V

Features and Benefits

Watt densities up to 75 W/in² (11.6 W/cm²) for clamp-on applications

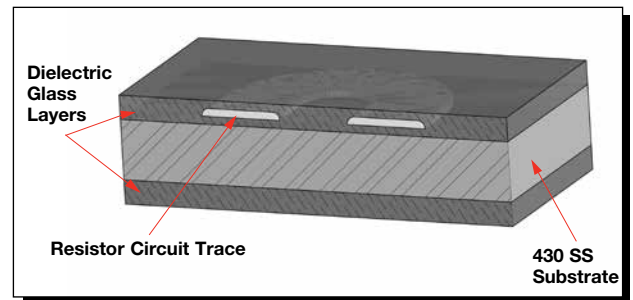
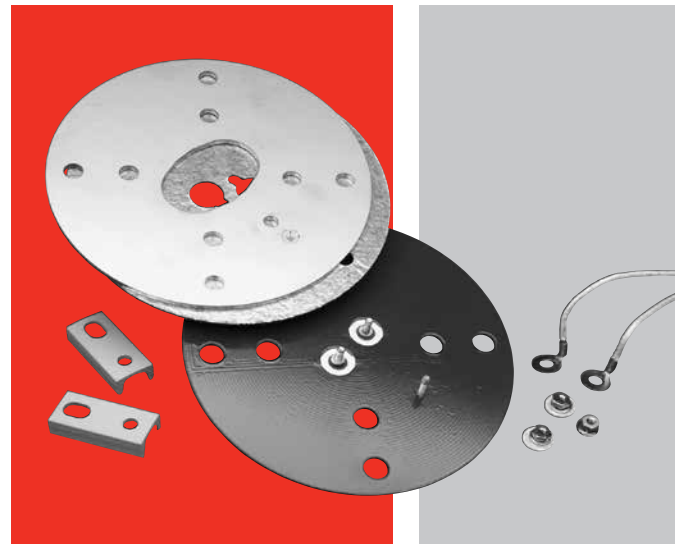
- Allows precise, repeatable wattage distribution and uniform temperature profile

Threaded stud termination

- Produces strong, trouble-free connections, see *Termination Assembly* drawing on page 464

Agency approvals

- UL® component recognition available upon request



Typical Applications

- Food warming cabinets
- Load dump resistors
- Seal bars
- Deposition chamber lids

Specialty Heaters

Thick Film Conduction Heaters

Technical Information

Specifications

Min. Length: 2.25 in. (57 mm)

Max. Length: 24 in. (610 mm)

Max. Voltage: 240VAC

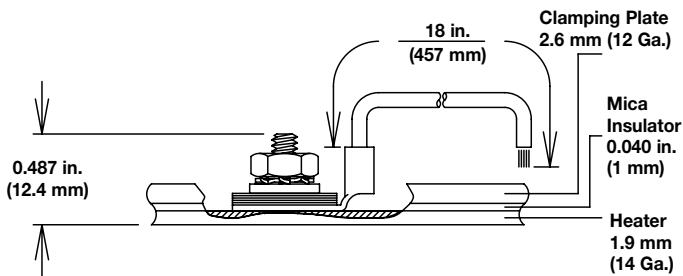
Max. Amperage: 25A

Terminations: Stud terminals

Substrate: 14 ga. typical

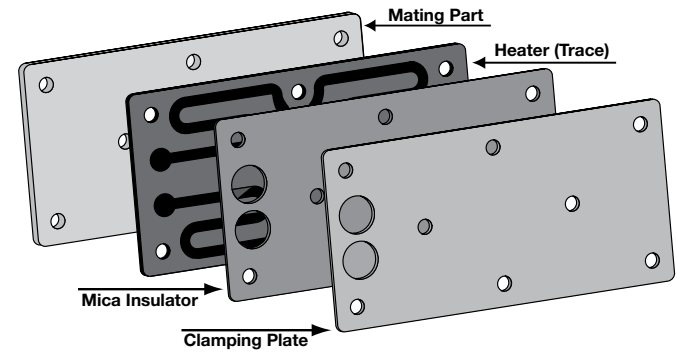
Features: Holes/slots up to 15% of area

Termination Assembly



To install, mount the heater to the surface being heated and assemble mounting hardware. Standard measurements of assembly hardware are illustrated in the *Termination Assembly* drawing above. Please refer to the *Installation and Maintenance Manual (316-42-32-1)* that is supplied with the heater for proper mounting instructions.

Construction



Thick film conduction heaters, designed for clamp-on applications, are supplied as a multi-part assembly: heater, mica insulator, clamping plate and mounting hardware.

The mica insulator acts as a thermal barrier to effectively force heat into the part being heated and as an additional protective layer for the heater.

The clamping plate distributes pressure evenly across the entire surface of the heater to promote close contact between the thick film heater and the part to be heated.

The mounting hardware is designed to effectively clamp to the part requiring heat, based on the heater size.

Extended Capabilities For Thick Film Conduction Heaters

Technical Information

Specifications

Min. Length: 2.25 in. (57 mm)

Max. Length: 24 in. (610 mm)

Max. Voltage: 240VAC

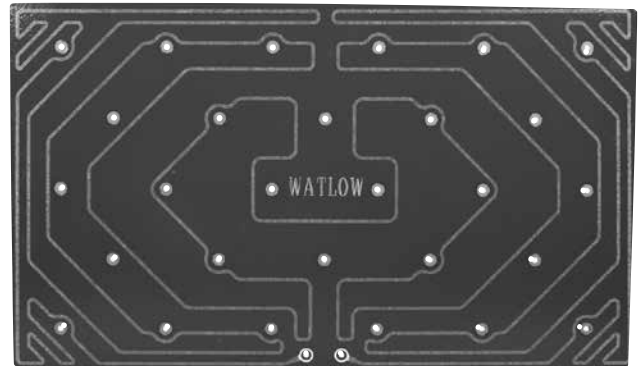
Max. Amperage: 25A

Terminations: Stud terminals
Soldered leads 480°F (250°C)
Rubber molded flexible leads 480°F (250°C)

Substrate: 10 to 18 ga. 430 SS, Alumina

Features: Holes/slots up to 15% of area

Sensor: Bolted ring-style thermocouple



Specialty Heaters

Thick Film Conduction Heaters

Technical Information

Heater Part Numbers

Heater Size in. (mm)	Voltage	Wattage ^①	W/in ² (W/cm ²)	Approximate Assembly Weight lbs (kg)	Watlow Part Number ^②
Round					
4.5 dia. (114)	120	325	20.4 (3.2)	1.10 (0.50)	TFA004JA03EL18B ^③
6.0 dia. (152)	120	850	30.1 (4.7)	2.74 (1.24)	TFA006AA08KL18C
6.0 dia. (152)	240	1125	39.8 (6.2)	2.74 (1.24)	TFA006AE11EL18C ^③
8.0 dia. (203)	240	2000	39.8 (6.2)	4.91 (2.23)	TFA008AE200L18C ^③
10.0 dia. (254)	240	3000	38.2 (5.9)	7.24 (3.28)	TFA010AE300L18C
Square					
2.25 x 2.25 (57 x 57)	120	100	19.8 (3.1)	0.27 (0.12)	TFA2E2EA010L18B ^③
3.00 x 3.00 (76 x 76)	120	225	25.0 (3.8)	0.50 (0.23)	TFA3A3AA02EL18B ^③
4.00 x 4.00 (102 x 102)	120	400	25.0 (3.8)	1.61 (0.73)	TFA4A4AA040L18C
6.00 x 6.00 (152 x 152)	120	1250	34.7 (5.4)	3.74 (1.70)	TFA6A6AA12KL18C
6.00 x 6.00 (152 x 152)	240	1450	40.3 (6.3)	3.74 (1.70)	TFA6A6AE14KL18C
8.00 x 8.00 (203 x 203)	240	2500	39.1 (6.1)	6.36 (2.88)	TFA8A8AE250L18C
Rectangle					
2.0 X 4.0 (51 x 102)	120	240	30.0 (4.6)	0.47 (0.21)	TFA2A4AA02HL18B
4.0 X 6.0 (102 x 152)	120	725	30.2 (4.7)	2.46 (1.12)	TFA4A6AA07EL18C
6.0 X 8.0 (152 x 203)	240	1920	40.0 (6.2)	5.01 (2.27)	TFA6A8AE19DL18C ^③

^①Wattage output at 77°F (25°C).

^②Includes clamping plate, mica insulator and mounting hardware. Replace the last letter of the part number with "O" for heater only.

^③Delivery 1 to 3 working days

Specialty Heaters

Coil/Cable Heaters

The versatile Watlow coil/cable heater can be formed into a variety of shapes. Small diameter, high performing cable heaters are fully annealed and readily bent to a multitude of configurations.

The heater can be formed into a compact, coiled nozzle heater supplying a full 360 degrees of heat with optional distributed wattage. A straight cable heater can snake through an equipment application. Flat, spiral configurations can be used in high-tech manufacturing while a star wound cable can be used for air and gas heating.

Different applications require different construction methods, including one, two or four resistance wires; parallel coil or straight wire; drawn or swaged sheaths; with or without internal thermocouples; leads exiting from one or both ends, and round, rectangular or square cable cross sectionals.

Whatever the application requirement, a Watlow coil/cable heater can be shaped to fit.

Performance Capabilities

- Continuous operating temperatures up to 1200°F (650°C) with intermittent operating periods achieving up to 1500°F (815°C) dependent on the type of element wire used
- Sheath watt densities on the cable up to 30 W/in² (4.65 W/cm²), and as high as 75 W/in² (11.62 W/cm²) subject to factory approval
- Maximum voltage up to 240V

Features and Benefits

High ductility

- Allows the heater to be cold-formed into almost any shape

Low mass

- Allows quick response in both heating and cooling

Constructed with no open seams

- Capable of operating in unusual environments, including cryogenic and sub-freezing temperatures, high vacuum, gaseous and liquid immersion heaters

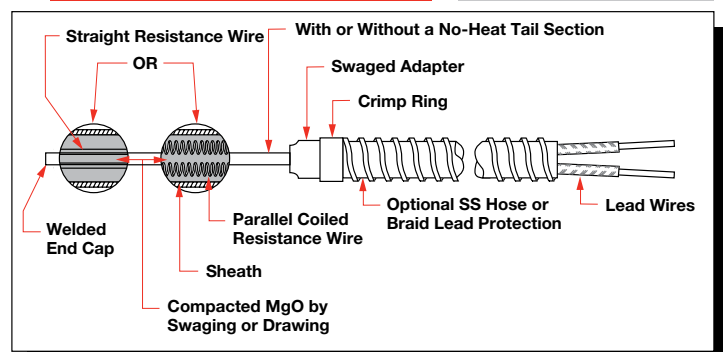
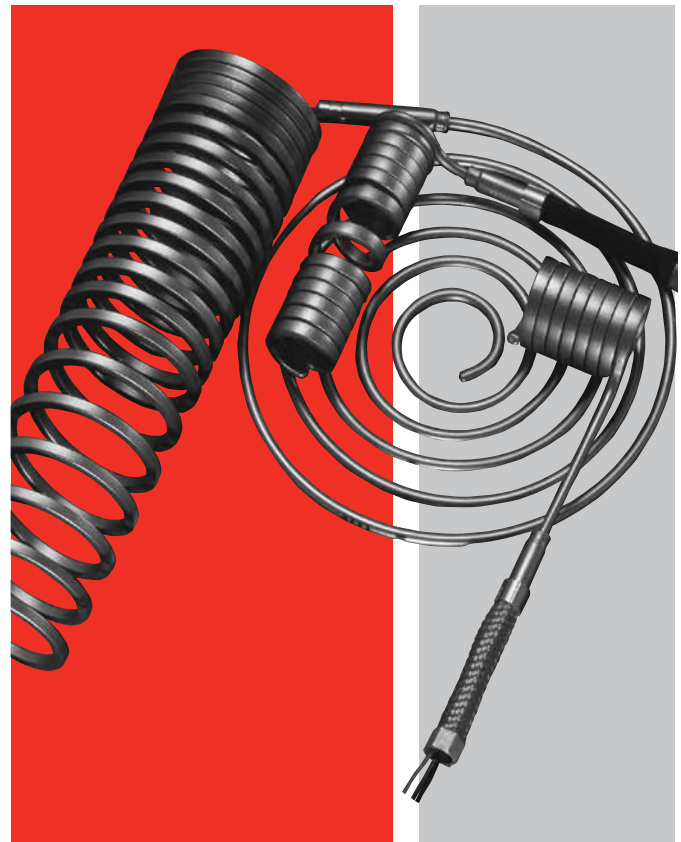
- Decreases opportunity for corrosion

Constructed of standard 304 stainless steel, optional 316 stainless steel or alloy 600

- Provides high temperature corrosion and oxidation resistance along with ideal expansion properties

Heater sheath can be brazed

- Allows the permanent attachment of mounted fittings to the heater, contact your Watlow representative



Sizes range from 0.040 in. (1.02 mm) to 0.188 in. (4.8 mm) diameter

- Delivers a high volume of heat into a tiny space

Internal construction options

- Allows for internal thermocouples and no-heat sections (not available in all sizes)

Specialty Heaters

Coil/Cable Heaters

Typical Applications

- Plastic injection molding nozzles
- Semiconductor manufacturing and wafer processing
- Hot metal forming dies and punches
- Sealing and cutting bars
- Medical, analytical and scientific instruments
- Restaurant and food processing equipment
- Cast-in heaters
- Laminating and printing presses
- Air heating
- Textile manufacturing
- Heating in a vacuum environment

Electrical Data and Coiling Limits

Sheath Diameter		Max. Voltage	Surface Area Per Linear Foot		Min. Bend Radius		Min. Coiled Inside Diameter	
in.	(mm)		in.	(cm)	in.	(mm)	in.	(mm)
0.040 ± 0.002	(1.016 ± 0.051)	48	1.51	(9.740)	1/16	(1.6)	1/8	(3.2)
0.062 ± 0.002	(1.575 ± 0.051)	120	2.34	(15.098)	1/8	(3.2)	1/4	(6.0)
0.094 + 0.002 - 0.003	(2.388 + 0.051 - 0.076)	240	3.54	(22.840)	3/16	(4.8)	3/8	(9.5)
0.102 square ± 0.003	(2.591 ± 0.076)	240	4.90	(31.615)	1/4	(6.0)	1/2	(13.0)
0.102 ± 0.003 x 0.156 ± 0.005 rectangular	(2.591 ± 0.076) x (3.962 ± 0.127)	240	6.19	(39.938)	1/4	(6.0)	1/2	(13.0)
0.125 ± 0.003	(3.175 ± 0.076)	240	4.71	(30.389)	1/4	(6.0)	1/2	(13.0)
0.157 ± 0.004	(3.988 ± 0.102)	240	5.92	(38.196)	5/16	(7.9)	5/8	(15.9)
0.188 + 0.003 - 0.006	(4.775 + 0.076 - 0.152)	240	7.09	(45.745)	3/8	(9.5)	3/4	(19.0)
0.128 square ± 0.003	(3.251 ± 0.076)	240	6.31	(40.712)	1/4	(6.0)	1/2	(13.0)

In most cases 30 W/in² (4.65 W/cm²) is the safe allowable limit for cable watt density. Please contact your Watlow representative prior to ordering >30 W/in² cables.

Resistance/Wattage Tolerance ±10%.

Cable heaters can run on both ac and dc. Contact your Watlow representative for amperage limitations.

Coiling Tolerances

Cable Diameters	Coiled Width Tolerances		Coiled I.D. Tolerances			
	Coiled Width in. (mm)	Tolerances in. (mm)	Coil I.D. Range in. (mm)		Tolerances in. (mm)	
All Diameters	Below 6 (152)	+ 0 - 1/8 (+0.00 - 3.18)	Below 0.625	(Below 15.88)	+0.000 - 0.015	(+0 - 0.38)
	6 to 10 (152 to 254)	+ 1/8 - 3/8 (+3.18 - 9.53)	0.625 to 0.999	(15.88 to 25.38)	+0.000 - 0.030	(+0 - 0.76)
	Over 10 (Over 254)	+ 1/4 - 1/4(+6.35 - 6.35)	1.000 to 1.999	(25 to 50.78)	+0.000 - 0.062	(+0 - 1.58)
			2.000 to 2.999	(51 to 76.18)	+0.000 - 0.125	(+0 - 3.18)
			3.000 to 3.999	(76 to 101.58)	+0.000 - 0.250	(+0 - 6.35)
			4.000 to 4.999	(102 to 126.98)	+0.000 - 0.375	(+0 - 9.53)
			5.000 and Over	(127 and Over)	+0.000 - 0.500	(+0 - 13.00)

When the O.D. of the coil is required as the critical dimension, it must be specified at the time of ordering so that proper coiling procedures can be determined. I.D. and O.D. dimensions cannot be held on the same unit. Please contact your Watlow representative prior to ordering coiled cable heaters requiring other than standard tolerances.

Cable Straight Length Tolerances

Length	≤ 24 in.	>24 in. ≤ 60 in.	>60 in. ≤ 100 in.	>100 in.
Tolerance	±3/8 in.	±1/2 in.	±1 in.	±1%

Specialty Heaters

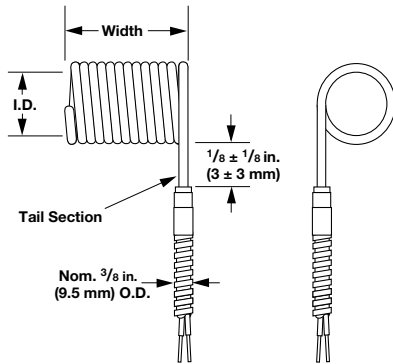
Coil/Cable Heaters

Formation Options

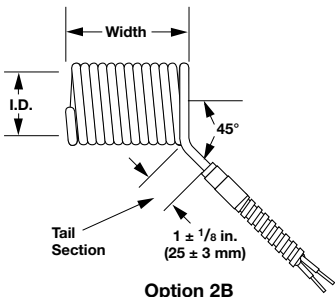
Coil Heaters

The coil heater can be tight wound or open pitch.

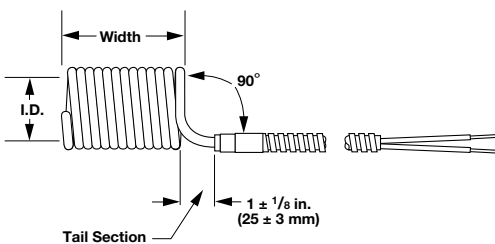
Lead Orientation Options for Coiled Cable Heaters



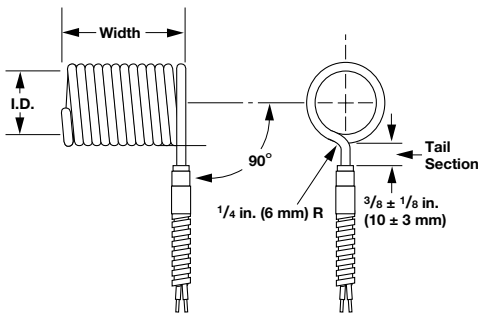
Option 2A



Option 2B

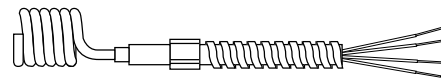


Option 2C



Option 2F

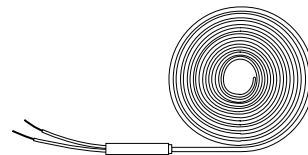
Closed Coil without Distributed Wattage



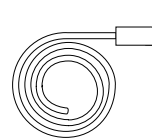
Closed Coil with Distributed Wattage



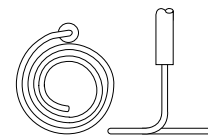
Flat Spiral



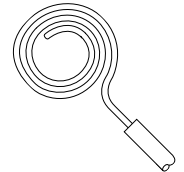
Flat, spiral formations are used to heat flat circular surfaces. This formation is often used in semiconductor and medical applications.



Flat Spiral with 2A Type Lead Orientation



Flat Spiral with 2C Type Lead Orientation



Flat Spiral with 2F Type Lead Orientation

Flat Spiral Inside Diameter Standards

Spiral Inside Diameter – in.	Cable Diameter – in.				
	1/16 (0.062)	3/32 (0.094)	1/8 (0.125)	5/32 (0.156)	3/16 (0.188)
5/8 (0.625)	✓	✓	✓		
3/4 (0.75)		✓	✓	✓	✓
7/8 (0.875)			✓	✓	
1 (1.0)			✓	✓	✓
1 ³ / ₁₆ (1.187)			✓		
1 ¹ / ₄ (1.25)			✓		
1 ¹ / ₂ (1.5)			✓	✓	✓
2 (2.0)			✓		
2 ¹ / ₂ (2.5)			✓		
3 (3.0)			✓	✓	✓

Note: Maximum outside diameter is 6 inches.

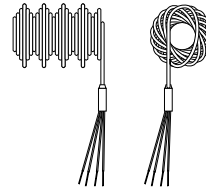
Specialty Heaters

Coil/Cable Heaters

Formation Options (Continued)

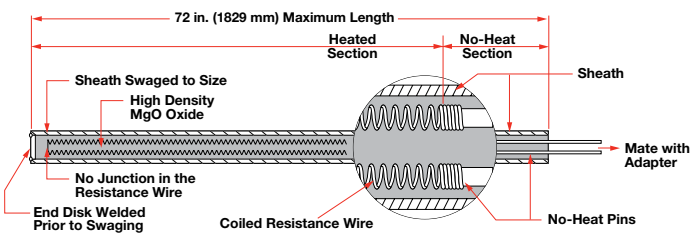
Star Wound

Star wound formations are usually inserted into pipes or ducts and used to heat moving air or liquids. The offset coils increase and induce turbulent flow. This allows the flowing material to have better contact with the heater surface to provide efficient heat transfer.



Internal Construction

Sheath with Coiled Internal Resistance Wire

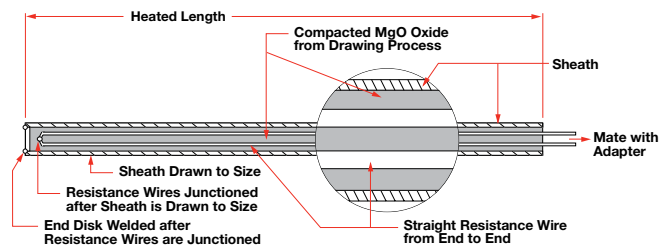


Resistance wire wound into a small coil is loaded into insulating cores, then into metal tubing and swaged to final size. This construction method is called **coil wire or parallel coil**.

The coil method allows for a no-heat section in the sheath. The length of either the heated section or the no-heat section is variable as long as the combined length does not exceed 72 in. (1829 mm). Other features of this construction method include:

- Variable ohms/foot within a minimum and maximum range
- Variable location of the thermocouple junction
- Grounded or ungrounded thermocouple junction
- No-heat sections
- 304 stainless steel
- A variety of diameters and shapes:
 - 0.094 in. (2.4 mm) round
 - 0.125 in. (3.2 mm) round (minimum diameter with internal thermocouple)
 - 0.102 in. (2.6 mm) square
 - 0.128 in. (3.3 mm) square
 - 0.102 in. X 0.156 in. (2.6 mm X 4 mm) rectangular

Sheath with Straight (Uncoiled) Resistance Wire



Straight resistance wires are positioned inside a large diameter metal tube. The tube assembly is repeatedly pulled through draw dies until the desired diameter is achieved. Though limited to fixed incremental ohms/foot and without no-heat sections, this **straight wire or drawn cable** construction method allows:

- Essentially no limit on cable length
- Thermocouple junction only at the disk end of the sheath
- Grounded or ungrounded thermocouple junction
- Full length of the sheath is heated
- 304 stainless steel
- A variety of diameters and shapes:
 - 0.040 in. (1.0 mm) round
 - 0.062 in. (1.6 mm) round
 - 0.094 in. (2.4 mm) round
 - 0.125 in. (3.2 mm) round (minimum diameter with internal thermocouple)
 - 0.157 in. (4.0 mm) round
 - 0.188 in. (4.8 mm) round
 - 0.128 in. (3.3 mm) square*
 - 0.102 in. X 0.156 in.* (2.6 mm X 4 mm) rectangular

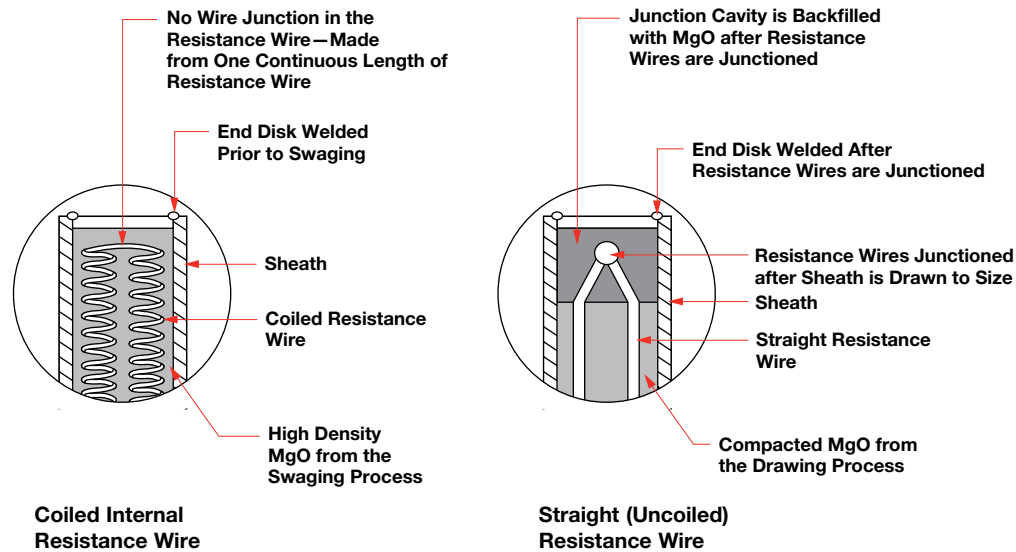
* Maximum length is 140 in. (3556 mm)

Specialty Heaters

Coil/Cable Heaters

Internal Construction (Continued)

Disk End of Sheath



The end of the heater sheath opposite from the lead exit end is called the disk end.

With coil construction methods, the internal resistance wires form a 180° bend inside the sheath and do not require a junction. After the end cap has been welded in place, the entire area at the end of the sheath is swaged to provide maximum density of the magnesium oxide (MgO).

With straight construction, the internal wires—whether resistance or thermocouple—must be junctioned before the heater sheath can be finished. MgO is removed from the tip of the sheath to expose the wires which are junctioned by welding. MgO powder is backfilled into the cavity surrounding the junctioned wires and lightly compacted. The end cap is inserted and welded into place.

Thermocouples

Internal thermocouples are available in ASTM Type J or K calibration with both the coil or straight construction methods.

Coil:

- 0.125 in. (3.2 mm) round
- 0.128 x 0.128 in. (3.3 x 3.3 mm) square
- 0.102 x 0.156 in. (2.6 x 4.0 mm) rectangular

Straight:

- 0.125 in. (3.2 mm) round
- 0.157 in. (4.0 mm) round
- 0.188 in. (4.8 mm) round
- 0.128 x 0.128 in. (3.3 x 3.3 mm) square
- 0.102 x 0.156 in. (2.6 x 4.0 mm) rectangular

Specialty Heaters

Coil/Cable Heaters

Options—Internal Construction

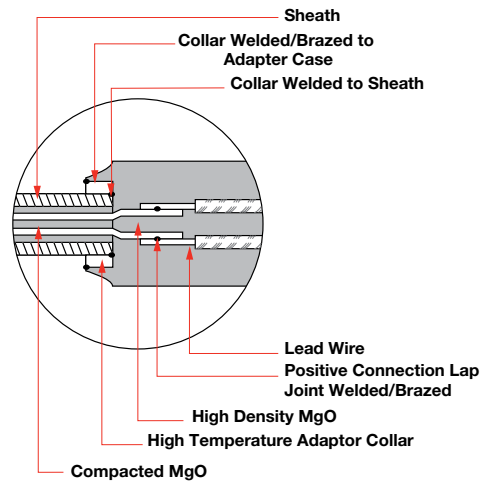
Adapters

Adapters are transition sections where lead wires are attached and connected with the internal wires from the heater sheath.

The **positive connection** lap joint brazes or welds the wire lap joint before the adapter is compacted. Positive connection is used in all standard applications and adds protection in high temperature environments.

An extended length adapter collar, or **high temperature** collar, is used as a heat sink enabling the heater to operate in high temperature, demanding applications.

The positive connection and collar are used in conjunction with both power leads and thermocouple leads.



External Construction

Lead Wire

100 percent nickel, copper, nickel plated copper or silver plated copper.

Insulation

PTFE, fiberglass or a high temperature variety such as MGT or MGE.

Lead Protection

Stainless steel hose, stainless steel braid or fiberglass braid.

Contact your Watlow representative for details.

Specialty Heaters

Coil/Cable Heaters

Cable Heater Units (Internal thermocouple is not available)

Straight Cable Length in. (mm)	Volts	Watts	Watt Density W/in ² (W/cm ²)	No-Heat Length in. (mm)	Lead Wire	Part Number
0.062 in. (1.6 mm) Diameter Round (with ±10% wattage tolerance) 0.250 in. x 1.125 in. adapter						
24 (610)	120	240	51 (7.9)	0 (0)	36 in. (914) mm swaged-in fiberglass	62H24A6X-1138
36 (914)	120	400	57 (8.8)	0 (0)		62H36A5X-1015
56 (1422)	120	330	30 (4.7)	0 (0)		62H56A4X-942
65 (1651)	120	500	39 (6.0)	0 (0)		62H65A3X-1111
0.094 in. (2.4 mm) Diameter Round (with ±5% wattage tolerance) 0.132 in. x 1.250 in. adapter— Lead protection not available						
30 (762)	230	125	17 (2.6)	5 (127)	48 in. (1219) mm swaged-in PTFE leads only	94PC30A1X
30 (762)	230	250	34 (5.3)	5 (127)		94PC30A2X
0.125 in. (3.2 mm) Diameter Round (with ±10% wattage tolerance) 0.250 in. x 1.125 in. adapter, *0.375 in. x 2.000 in. adapter						
18 (457)	240	250	35 (5.4)	1.5 (38)	36 in. (914) mm swaged-in fiberglass	125CH18A4X-1066
19 (483)	120	165	21 (3.3)	1.5 (38)		125CH19A1X-879
24 (610)	120	275	29 (4.5)	1.5 (38)		125CH24A1X-1049
24 (610)	240	275	29 (4.5)	1.5 (38)		125CH24A14X-806
38 (965)	240	325	21 (3.3)	1.5 (38)		125CH38A1X-631
38 (965)	120	175	12 (1.9)	1.5 (38)		125CH38A2X-246
47 (1194)	240	260	14 (2.2)	1.5 (38)		125CH47A1X-108
47 (1194)	120	235	12 (1.9)	1.5 (38)		125CH47A2X-182
47 (1194)	120	375	20 (3.1)	1.5 (38)		125CH47A3X-986
47 (1194)	240	345	19 (2.9)	1.5 (38)		125CH47A4X-1081
65 (1651)	240	420	16 (2.5)	1.5 (38)		125CH65A1X-940
65 (1651)	240	675	27 (4.2)	1.5 (38)		125CH65A2X-1115
95 (2413)	240	1000	28 (4.3)	0 (0)		125CH93A1X-1154
126 (3200)	240	1500	30 (4.7)	0 (0)		48 in. (1219) mm swaged-in fiberglass
150 (3810)	240	2000	34 (5.3)	0 (0)	125H150A3A-1168*	
223 (5664)	240	3000	34 (5.3)	0 (0)	125H223A1A-1057*	
0.128 in. (3.3 mm) Square Cross-Section (with ±10% wattage tolerance) 0.250 in. x 1.125 in. adapter						
12 (305)	120	200	36 (5.6)	1.5 (38)	36 in. (914) mm swaged-in fiberglass	125PS12A24A-647
12 (305)	240	200	36 (5.6)	1.5 (38)		125PS12A23A-155
20 (508)	120	300	31 (4.8)	1.5 (38)		125PS20A37A-537
20 (508)	240	300	31 (4.8)	1.5 (38)		125PS20A38A-142
30 (762)	120	450	30 (4.7)	1.5 (38)		125PS30A47A-159
30 (762)	240	450	30 (4.7)	1.5 (38)		125PS30A48A1019
38 (965)	240	600	31 (4.8)	1.5 (38)		125PS38A23A-562

Note: Lead protection is available upon request.

RAPID SHIP

- RS - Next day shipment up to 5 pieces

Specialty Heaters

Coil/Cable Heaters

Cable Heater Units (Type J internal thermocouple)

Straight Cable Length in. (mm)	Volts	Watts	Watt Density W/in ² (W/cm ²)	No-Heat Length in. (mm)	Lead Wire	Part Number
0.125 in. (3.2 mm) Diameter Round (with ±10% wattage tolerance), thermocouple located in center of heated section, 0.250 in. x 1.125 in. adapter						
24 (610)	120	275	29 (4.5)	1.5 (38)	48 in. (1219) mm swaged-in fiberglass	125CH24A13X
38 (965)	120	175	12 (1.9)	1.5 (38)		125CH38A18X
47 (1194)	120	235	13 (2.0)	1.5 (38)		125CH47A21X
65 (1651)	240	675	26 (4.0)	1.5 (38)		125CH65A26X
0.157 in. (4 mm) Diameter Round (with ±10% wattage tolerance), thermocouple located at the disk end of the cable, 0.375 in. x 2.000 in. adapter						
124 (3150)	240	1500	25 (3.9)	0 (0)	48 in. (1219) mm swaged-in fiberglass	157CH124AX
150 (3810)	240	2000	27 (4.2)	0 (0)		157CH150AX
220 (5588)	240	3000	28 (4.3)	0 (0)		157CH220AX
0.128 in. (3.3 mm) Square Cross-Section (with ±10% wattage tolerance), thermocouple located in center of heated section, 0.250 in. x 1.125 in. adapter						
12 (305)	240	200	36 (5.6)	1.5 (38)	48 in. (1219) mm swaged-in fiberglass	125PS12A22A
20 (508)	120	300	31 (4.8)	1.5 (38)		125PS20A35A
20 (508)	240	300	31 (4.8)	1.5 (38)		125PS20A36A
30 (762)	240	450	30 (4.7)	1.5 (38)		125PS30A46A
38 (965)	240	600	31 (4.8)	1.5 (38)		125PS38A24A

Note: Lead protection is available upon request.

RAPID SHIP

- RS - Next day shipment up to 5 pieces

Strip/Clamp-On Heaters

Strip/Clamp-On Heaters	Sheath Materials	Max. Operating Temperatures		Typical Max. Watt Densities		Page
		°F	°C	W/in ²	W/cm ²	
Mineral Insulated (MI)	304 stainless steel	1400	760	140	21.7	477
375 High-Temperature	Aluminized steel	1100	595	100	15.5	481
FIREBAR® Clamp-On	Alloy 800	1400	760	120	18.6	489
	304 stainless steel	1200	650	120	18.6	
Thick Film Conduction	430 stainless steel	1025	550	75	11.6	490



Strip/Clamp-On Heaters



Strip/Clamp-On Heaters

Mineral Insulated (MI) Strip Heaters

The MI strip heater is a thin, responsive heater that uses the most advanced heater construction techniques. A nickel-chromium element wire is embedded in Watlow's exclusive mineral insulation material, which has a much higher thermal conductivity than the mica and hard ceramic insulators used in conventional heaters. This thin layer of insulation brings the element wire closer to the heater sheath. The result is heat flows easily from the element wire to the sheath allowing the wire to run cooler than conventional heaters and increasing heater life.

Performance Capabilities

- Sheath temperatures up to 1400°F (760°C)
- Watt densities up to 140 W/in² (21.7 W/cm²)
- Maximum voltage up to 480VAC
- UL® component recognition for most 240VAC or less designs (UL® File #E52951)

Features and Benefits

Higher watt densities than any other strip heater

- Provides faster heat up

Exclusive mineral insulation

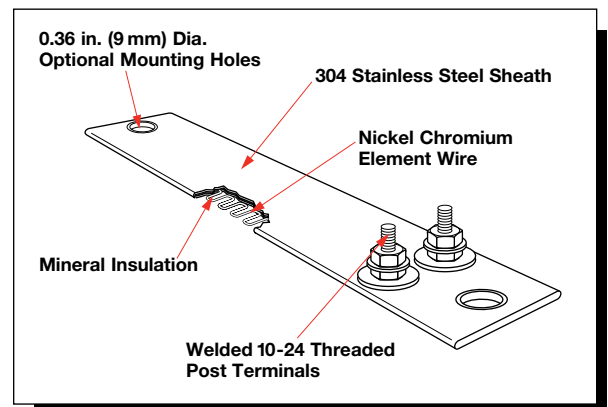
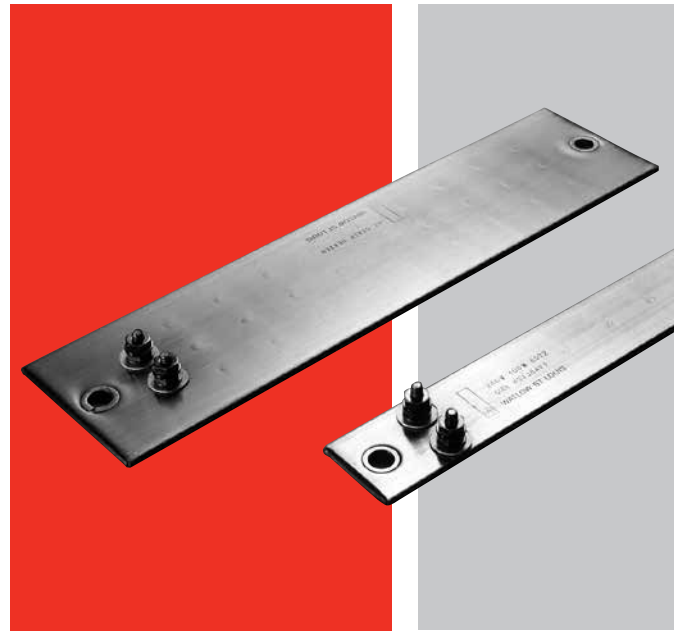
- Combines dielectric strength and superior thermal conductivity
- Transfers heat rapidly to the sheath

304 stainless steel sheath

- Maintains the high compaction of mineral insulation
- Produces a rigid heater

Typical Applications

- Solder pots
- Zinc die-casting equipment
- Die and mold heating
- High-temperature resins
- Tank and platen heating
- Ovens
- Packaging equipment



RAPID SHIP

- Next day shipment

Strip/Clamp-On Heaters

Mineral Insulated (MI) Strip Heaters

Applications and Technical Data

Calculating Watt Density

Watt density is the amount of wattage per square inch of heated area. To determine watt density, divide the total wattage by the heated area.

$$\text{Watt Density} = \frac{\text{Wattage}}{\text{Heated Area}}$$

To apply this equation, the heated area is the total contact surface of the heater less areas of no-heat found around terminals, mounting holes, etc.

Heated Area = Total Contact Area - No-Heat Area

To calculate the heated area:

- Using the chart below, locate the **no-heat factor** corresponding to the type of heater being considered.
- To use the formula below, insert the no-heat factors, length and width (in inches).

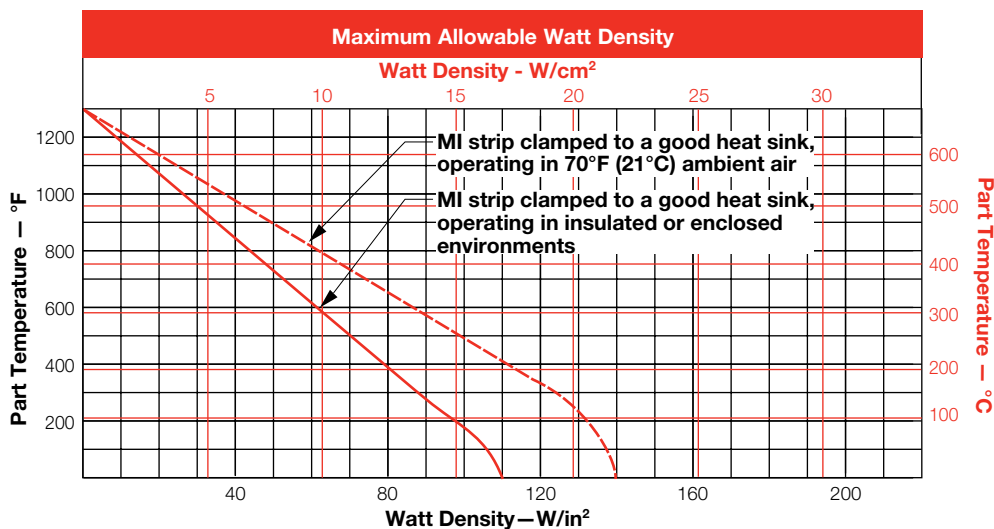
$$\text{Heated Area} = (\text{Overall Length} - \text{No-Heat Factor}) \times \text{Width}$$

Type	No-Heat Factor (in.)
1 in. Wide	
1 in. wide post terminal 1 on 1	1.75
1 in. wide post terminal 1 on 1 with mounting holes	3.00
For all other widths	
2 on 1 post terminal	1.18
2 on 1 with mounting holes	3.18

The drawings on the next page and the graph on this page will help in selecting the correct watt density for a particular application. First, refer to the drawings to determine the heated area of the heater. Then, use the

watt density formula and graph to ensure that the maximum watt density of the heater does not exceed the specific application requirements.

$$\text{Watt Density} = \frac{\text{Wattage}}{\text{Heated Area}}$$



Strip/Clamp-On Heaters

Mineral Insulated (MI) Strip Heaters

Applications and Technical Data (Continued)

Specifications

Width

- 1, 1½ and 2 in. (25, 38, 51 mm), tolerance $\pm 1/32$

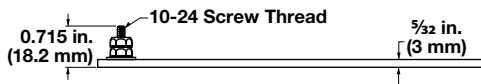
Length

- 8 to 30 in. (203 to 762 mm), tolerance $\pm 1/8$

Terminations

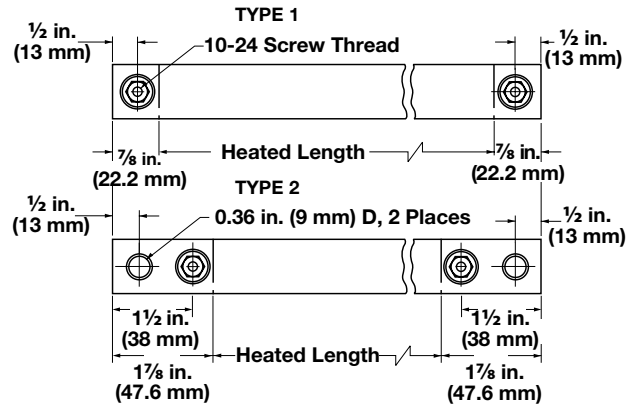
- 1 in. (25 mm) wide—post terminals one-on-one
- 1½ to 2 in. (38 to 51 mm)—post terminals two-on-one

All Widths

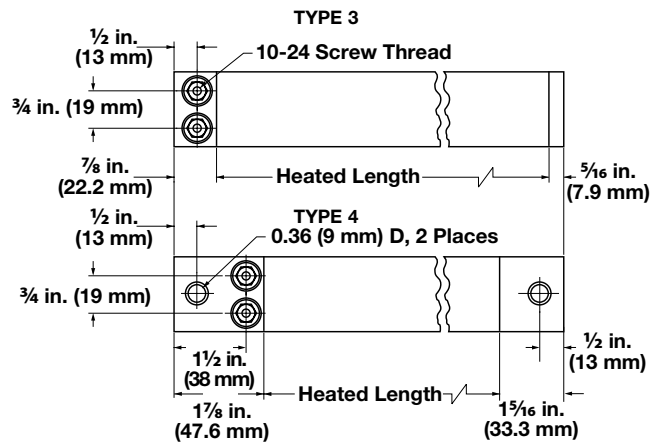


Note: In most applications, mounting holes alone do not provide adequate clamping. A clamp bar should be used for each 4 in. (102 mm) of heater length.

1 in. (25 mm) Wide



1½ in. – 2 in. (38 – 51 mm) Wide



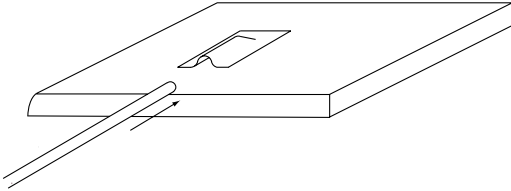
Strip/Clamp-On Heaters

Mineral Insulated (MI) Strip Heaters

Applications and Technical Data (Continued)

Options

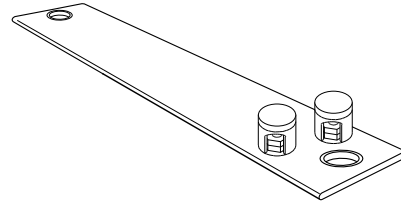
Thermocouple Pocket



A thermocouple pocket welded to the back surface accepts a 0.063 in. (1.6 mm) diameter thermocouple. This option provides accurate temperature sensing and easy thermocouple replacement. Thermocouple not included.

Accessories

Ceramic Terminal Covers



Ceramic terminal covers offer a convenient and economic method to insulate post terminals. They are sized for standard length posts with 10-24 screw thread size, supplied as an accessory item and shipped separately. Specify Z4918 and quantity.

Parallel Terminals Part Numbers—Type 3 and 4

Width in. (mm)	Length in. (mm)	Volts	Power (Watts)	Watt Density W/in ² (W/cm ²)	Approx. Net Wt. lbs. (kg)	Type	Part Number
1 1/2 (38)	8 (203)	240	500	50 (7.8)	0.3 (0.15)	3	MS1J8AS3
1 1/2 (38)	12 (305)	120	350	26 (4.0)	0.5 (0.2)	4	MS1J12AV2^①
1 1/2 (38)	12 (305)	240	350	26 (4.0)	0.5 (0.2)	4	MS1J12AV3^①
1 1/2 (38)	12 (305)	240	800	49 (7.6)	0.5 (0.2)	3	MS1J12AS2
1 1/2 (38)	18 (457)	120	1000	40 (6.2)	0.8 (0.3)	3	MS1J18AS1
1 1/2 (38)	18 (457)	240	1000	40 (6.2)	0.8 (0.3)	3	MS1J18AS2

^① Denotes units with mounting holes. Mounting holes are 0.36 in. (9 mm) in diameter and are intended for use with 1/4 in. (6 mm) bolts.

Centers of mounting holes are located 1/2 in. (13 mm) from the ends of the heater.

RAPID SHIP

- Next day shipment up to 5 pieces

Strip/Clamp-On Heaters

375 High-Temperature Strip Heaters

Named for its 0.375 in. (9.5 mm) thickness, the rugged Watlow® 375 strip heater is capable of both high temperatures and high watt densities.

Watlow begins construction by accurately placing a coiled, nickel-chromium element wire in the center of the heater. The element wire is then embedded in magnesium oxide (MgO)-based insulation compacted into a solid mass creating excellent heat conductivity and high dielectric strength. The heater is then enclosed in aluminized steel or 430 stainless steel sheathing.

Performance Capabilities

- Aluminized steel sheath temperatures up to 1100°F (595°C)
- 430 stainless steel sheath temperatures up to 1200°F (650°C)
- Watt densities up to 100 W/in² (15.5 W/cm²)
- UL® approved up to 240VAC (File No. E52951)
- CSA approved up to 480VAC (File No. LR7392)

Features and Benefits

Nickel-chromium element wire is centered in the heater

- Assures uniform heat

Aluminized steel sheath

- Operates at higher temperatures and resists corrosion better than iron-sheathed heaters
- Minimizes heat-up time

Optional 430 stainless steel sheath

- Meets temperature requirements that reach up to 1200°F (650°C)

Post terminals, welded to the element wire

- Produces strong, trouble-free connections

Rigid 3/8 in. (9.5 mm) thick design

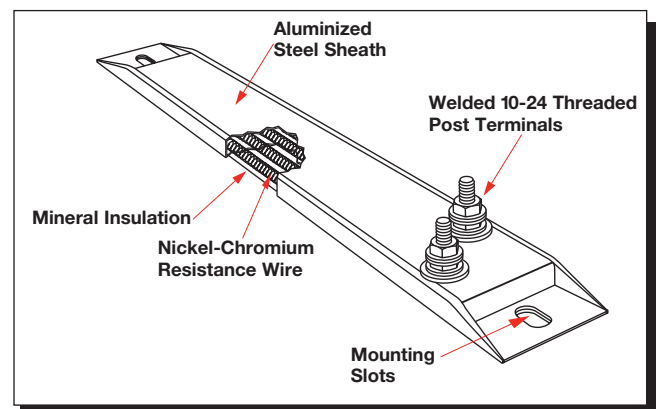
- Enables the heater to fit into many existing applications

Over 100 in-stock models in popular sizes and ratings

- Allows next day shipment

Available dimensions are 1 1/2 in. (38 mm) wide and 5 1/2 to 48 in. (140 to 1219 mm) long

- Fits a variety of application needs



Typical Applications

- Food warming
- Freeze and moisture protection
- Tank and platen heating
- Packaging
- Dies and mold heating
- Autoclaves
- Ovens
- Telecom

RAPID SHIP

- Next day shipment

Strip/Clamp-On Heaters

375 High-Temperature Strip Heaters

Applications and Technical Data

Calculating Watt Density

Use the *Maximum Allowable Watt Density* graphs and formulas to ensure the allowable watt density for the heater does not exceed the specific application requirements. **Watt density is calculated for one side of the heater only.**

Formulas

$$\text{Watt Density} = \frac{\text{Wattage}}{\text{Heated Area}}$$

Heated Area

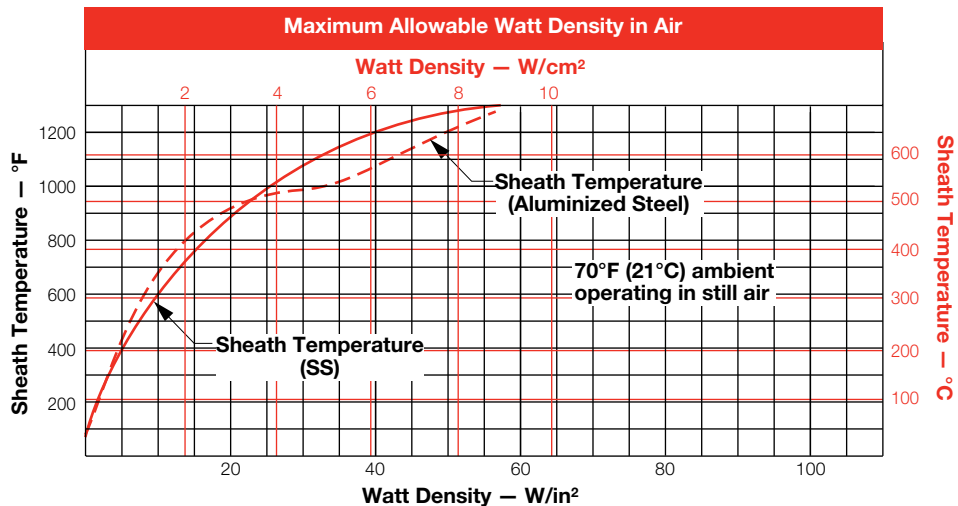
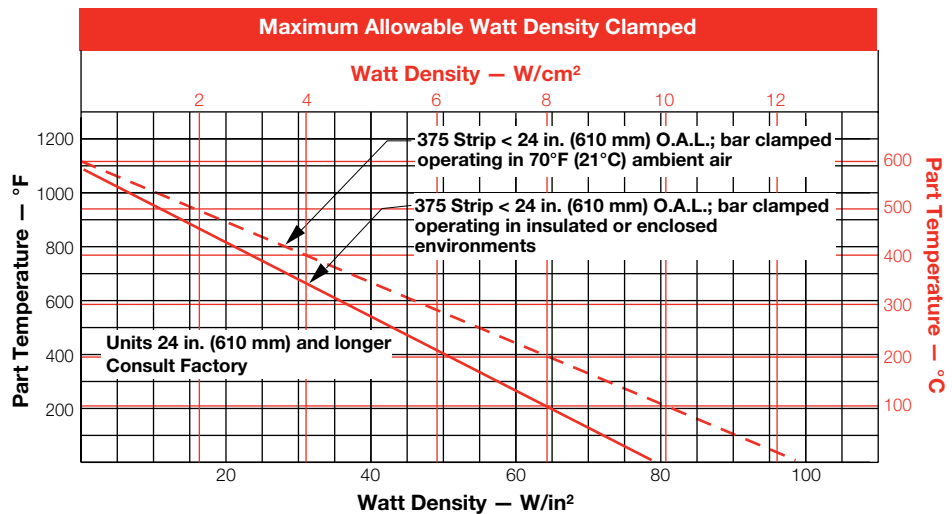
$$\begin{aligned} \text{(Offset Terminals)} &= [\text{Overall Length (A)} \times 1.5 \text{ in.}] - 6 \text{ in}^2 \\ &= [\text{Overall Length (A)} \times 38 \text{ mm}] - 38.7 \text{ cm}^2 \end{aligned}$$

Heated Area

$$\begin{aligned} \text{(Parallel Terminals)} &= [\text{Overall Length (A)} \times 1.5 \text{ in.}] - 4.7 \text{ in}^2 \\ &= [\text{Overall Length (A)} \times 38 \text{ mm}] - 30.3 \text{ cm}^2 \end{aligned}$$

Heated Area

$$\begin{aligned} \text{(One-on-One Terminals)} &= [\text{Overall Length (A)} \times 1.5 \text{ in.}] - 6 \text{ in}^2 \\ &= [\text{Overall Length (A)} \times 38 \text{ mm}] - 38.7 \text{ cm}^2 \end{aligned}$$

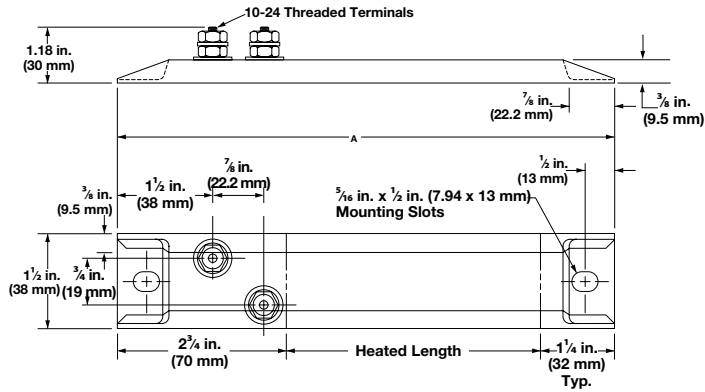


Strip/Clamp-On Heaters

375 High-Temperature Strip Heaters

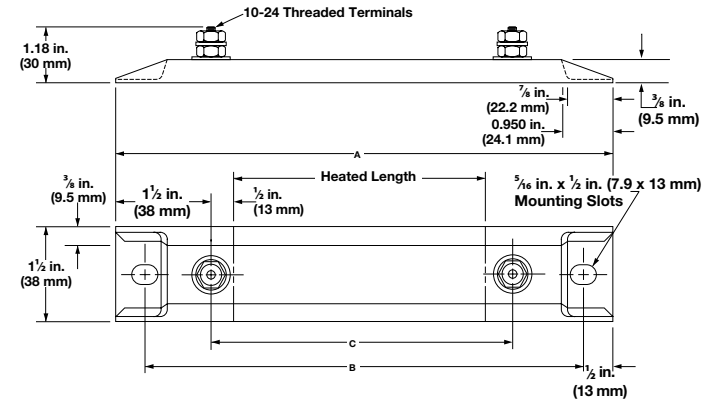
Termination Options

Offset Terminals



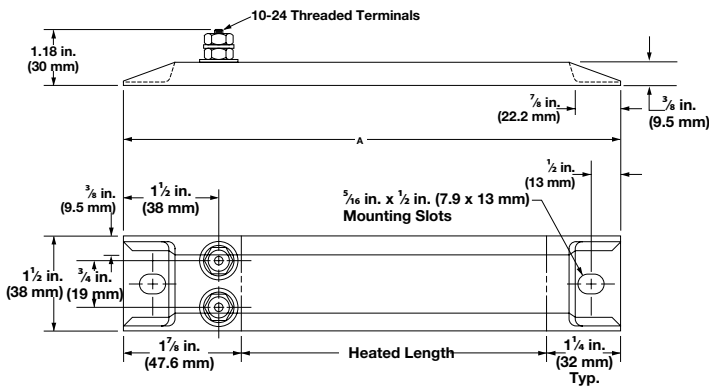
Two 10-24 threaded post terminals are offset from each other on the same end.

One-on-One Terminals



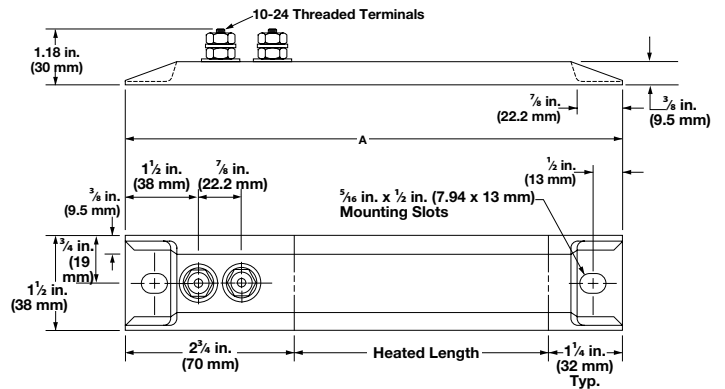
Two 10-24 threaded post terminals are placed one on each end.

Parallel Terminals



Two 10-24 threaded post terminals are used; both terminals on one end.

In-Line Terminals



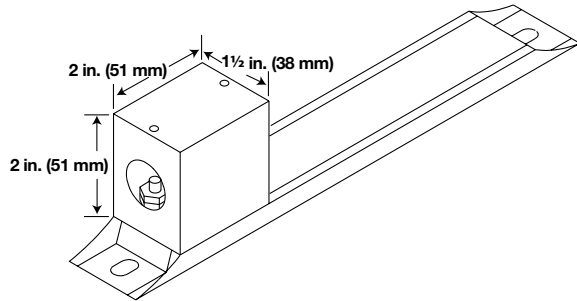
Two 10-24 threaded post terminals are in-line with each other on the same end.

Strip/Clamp-On Heaters

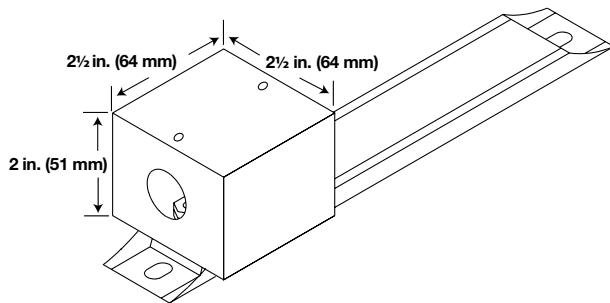
375 High-Temperature Strip Heaters

Termination Options (Continued)

Metallic Terminal Boxes - Variations



Available on in-line terminals only.

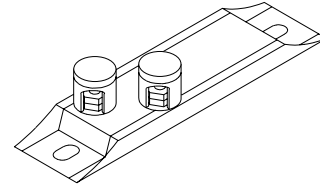


Available on offset terminals from stock and manufactured.

Metallic terminal boxes are available from stock on offset terminals. Terminal boxes act as a safety feature by covering the terminals. A conduit may be attached to the box through $\frac{7}{8}$ in. (22.2 mm) diameter holes in the ends of the box. To order, specify **terminal box**.

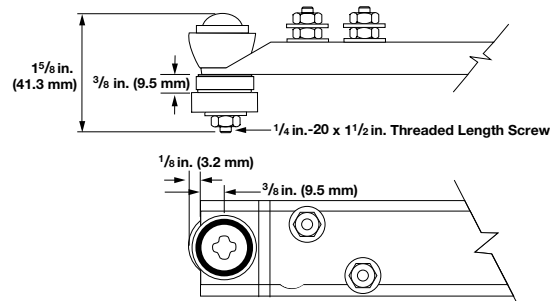
Accessories

Ceramic Terminal Covers



Ceramic terminal covers offer a convenient and economic method to insulate post terminals. They are sized for standard length posts with 10-24 screw thread size, supplied as an accessory item and shipped separately. Specify **Z4918** and quantity.

Secondary Insulation Bushings



Insulators are suitable when air heating and/or voltage to ground is a concern. A secondary insulation bushing kit, part number **Z5230**, contains one set of bushings for one heater. To accommodate bushings, $\frac{17}{32} \times \frac{11}{16}$ inch diameter mounting holes **must** be specified when ordering the heater.

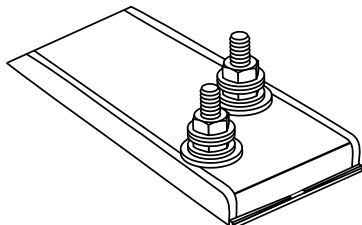
Strip/Clamp-On Heaters

EXTENDED
CAPABILITY

Extended Capabilities For 375 High-Temperature Strip Heaters

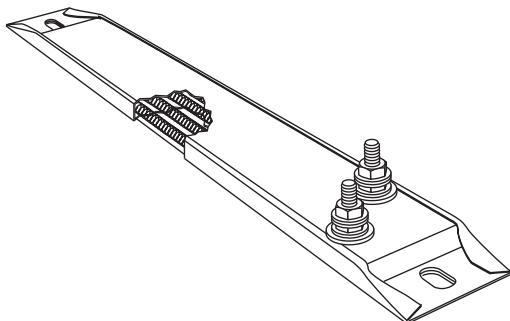
Options

Tab Removal



Length without tabs equals total length including tabs minus 1¹/₂ in. (38 mm).

Flat Tabs



Mounting tabs can be formed flat to allow bar clamping.

Moisture Protection

Improved Insulation Resistance Value (IIRV)

Treatment—This process coats the MgO insulation. The treated insulation fends off moisture when unheated for long periods of time. It is also ideal for heaters that are exported to customers around the world, where high humidity may be a problem.

Ground Studs and Mounting Studs

Standard 1/4-20 x 1¹/₂ in. (38 mm) or M6-1 x 40 steel studs are welded to the heater. Contact your Watlow representative for exact locations on specific heaters.

Strip/Clamp-On Heaters

375 High-Temperature Strip Heaters

Heater Part Numbers

Width in. (mm)	Length in. (mm)	Term.	Volts	Power (Watts)	Watt Density W/in ² (W/cm ²)	Approx. Net Wt. lbs (kg)	Delivery	Part Number	Chromalox® Part No. ①		Wellman® Part No. ①	
									Rust Resist. Iron Sheath	Chrome Stl. Sheath	Aluminized Steel Sheath	Chrome Stl. Sheath
1 1/2 (38)	5 1/2 (140)	Parallel	120	125	35 (5.4)	0.4 (0.18)	RS	SGA1J5JP1	PT-512	—	—	—
	5 1/2 (140)	Parallel	120	250	70 (10.8)	0.4 (0.18)	RS	SGA1J5JP2	—	PT-502	—	—
	6 (152)	Parallel	120	150	35 (5.4)	0.4 (0.18)	RS	SGA1J6AP2	PT-615	—	—	—
	6 (152)	Parallel	240	150	35 (5.4)	0.4 (0.18)	RS	SGA1J6AP3	PT-615	—	—	—
	6 (152)	Parallel	120	300	70 (10.8)	0.4 (0.18)	RS	SGA1J6AP4	—	PT-603	—	—
	6 (152)	Parallel	240	300	70 (10.8)	0.4 (0.18)	RS	SGA1J6AP5	—	PT-603	—	—
	7 1/2 (191)	Offset	120	150	29 (4.5)	0.5 (0.23)	RS	SGA1J7JO1	OT-715	—	SS1041	—
	7 1/2 (191)	Offset	240	150	29 (4.5)	0.5 (0.23)	M	SGA1J7JO2	OT-715	—	SS1052	—
	7 1/2 (191)	Offset	240	200	38 (5.9)	0.5 (0.23)	RS	SGA1J7JO3	—	OT-702	—	SS2052
	8 (203)	Offset	120	150	25 (3.9)	0.5 (0.23)	RS	SGA1J8AO1	OT-815	—	SS1061	—
	8 (203)	Offset	240	150	25 (3.9)	0.5 (0.23)	RS	SGA1J8AO5	OT-815	—	SS1072	—
	8 (203)	Offset	120	175	29 (4.5)	0.5 (0.23)	RS	SGA1J8AO6	OT-817	—	SS1081	—
	8 (203)	Offset	240	175	29 (4.5)	0.5 (0.23)	M	SGA1J8AO7	OT-817	—	SS1092	—
	8 (203)	Offset	120	250	42 (6.5)	0.5 (0.23)	RS	SGA1J8AO2	—	OT-802	—	SS2061
	8 (203)	Offset	240	250	42 (6.5)	0.5 (0.23)	RS	SGA1J8AO8	—	OT-802	—	SS2072
	8 (203)	Offset	120	400	67 (10.4)	0.5 (0.23)	RS	SGA1J8AO9	—	OT-804	—	SS2081
	8 (203)	Offset	240	400	67 (10.4)	0.5 (0.23)	RS	SGA1J8AO10	—	OT-804	—	SS2092
	8 (203)	Offset	120	500	83 (12.9)	0.5 (0.23)	RS	SGA1J8AO3	—	—	—	—
	8 (203)	Offset	240	500	83 (12.9)	0.5 (0.23)	RS	SGA1J8AO4	—	—	—	—
	8 (203)	1-on-1	120	150	24 (3.7)	0.5 (0.23)	RS	SGA1J8AT1	S-815	—	SD1021	—
	8 (203)	1-on-1	240	150	24 (3.7)	0.5 (0.23)	M	SGA1J8AT2	S-815	—	SD1032	—
	9 1/2 (241)	1-on-1	120	200	23 (3.6)	0.6 (0.27)	M	SGA1J9JT1	S-920	—	SD1041	—
	10 1/2 (267)	Offset	120	250	26 (4.0)	0.7 (0.32)	RS	SGA1J10JO1	OT-1025	—	SS1101	—
	10 1/2 (267)	Offset	240	250	26 (4.0)	0.7 (0.32)	RS	SGA1J10JO2	OT-1025	—	SS1102	—
	10 1/2 (267)	Offset	120	350	36 (5.6)	0.7 (0.32)	RS	SGA1J10JO8	—	OT-1003	—	SS2101
	10 1/2 (267)	Offset	240	350	36 (5.6)	0.7 (0.32)	RS	SGA1J10JO5	—	OT-1003	—	SS2112
	10 1/2 (267)	Offset	120	400	41 (6.4)	0.7 (0.32)	RS	SGA1J10JO6	—	OT-1004	—	SS2131
	10 1/2 (267)	Offset	240	400	41 (6.4)	0.7 (0.32)	RS	SGA1J10JO7	—	OT-1004	—	SS2132
	12 (305)	Offset	120	250	21 (3.3)	0.8 (0.32)	RS	SGA1J12AO1	OT-1225	OT-1202	SS1141	—
	12 (305)	Offset	240	250	21 (3.3)	0.8 (0.32)	RS	SGA1J12AO2	OT-1225	OT-1202	SS1152	—
	12 (305)	Offset	120	350	29 (4.5)	0.8 (0.36)	RS	SGA1J12AO5	—	OT-1203	—	SS2141
	12 (305)	Offset	240	350	29 (4.5)	0.8 (0.36)	RS	SGA1J12AO6	—	OT-1203	—	SS2152
	12 (305)	Offset	120	500	42 (6.5)	0.8 (0.36)	RS	SGA1J12AO3	—	OT-1205	—	SS2161
	12 (305)	Offset	240	500	42 (6.5)	0.8 (0.36)	RS	SGA1J12AO4	—	OT-1205	—	SS2172
	12 (305)	1-on-1	120	250	20 (3.1)	0.8 (0.36)	M	SGA1J12AT1	S-1225	S-1202	SD1061	SD2071
	12 (305)	1-on-1	240	250	20 (3.1)	0.8 (0.36)	RS	SGA1J12AT2	S-1225	S-1202	SD1072	SD2082
	12 (305)	1-on-1	240	500	40 (6.2)	0.8 (0.36)	RS	SGA1J12AT3	—	S-1205	—	SD2122
	14 (356)	Offset	120	300	20 (3.1)	0.9 (0.41)	RS	SGA1J14AO2	OT-1430	—	SS1181	—
	14 (356)	Offset	240	300	20 (3.1)	0.9 (0.41)	RS	SGA1J14AO1	OT-1430	—	SS1192	—
	14 (356)	Offset	120	500	33 (5.1)	0.9 (0.41)	RS	SGA1J14AO3	—	OT-1405	—	SS2181
	14 (356)	Offset	240	500	33 (5.1)	0.9 (0.41)	RS	SGA1J14AO4	—	OT-1405	—	SS2192
	14 (356)	1-on-1	120	300	20 (3.1)	0.9 (0.41)	M	SGA1J14AT1	S-1430	—	SD1131	—
	15 1/4 (387)	Offset	120	325	19 (2.9)	1.0 (0.45)	M	SGA1J15EO2	OT-1532	—	SS1201	—
	15 1/4 (387)	Offset	240	325	19 (2.9)	1.0 (0.45)	M	SGA1J15EO3	OT-1532	—	SS1212	—
	15 1/4 (387)	Offset	240	500	30 (4.6)	1.0 (0.45)	RS	SGA1J15EO4	—	OT-1505	—	SS2212

CONTINUED

①Chromalox® and Wellman® part numbers are used as a cross reference to help select the equivalent Watlow part number. Chromalox® sizes 27 in. (686 mm) and longer, and all Wellman® sizes have mounting slot center to center distances 1/8 in. (3.2 mm) less than Watlow spacing.

RAPID SHIP

- RS - Next day shipment
- M - Manufacturing lead times

Strip/Clamp-On Heaters

375 High-Temperature Strip Heaters

Heater Part Numbers (Continued)

Width in. (mm)	Length in. (mm)	Term.	Volts	Power (Watts)	Watt Density W/in ² (W/cm ²)	Approx. Net Wt. lbs (kg)	Delivery	Part Number	Chromalox [®] Part No. ①		Wellman [®] Part No. ①	
									Rust Resist. Iron Sheath	Chrome Stl. Sheath	Aluminized Steel Sheath	Chrome Stl. Sheath
1 1/2 (38)	17 7/8 (454)	Offset	120	350	17 (2.6)	1.2 (0.54)	RS	SGA1J17RO4	OT-1835	—	SS1221	SS2221
	17 7/8 (454)	Offset	240	350	17 (2.6)	1.2 (0.54)	M	SGA1J17RO5	OT-1835	—	SS1232	SS2232
	17 7/8 (454)	Offset	120	375	18 (2.8)	1.2 (0.54)	RS	SGA1J17RO6	OT-1837	—SS1261	SS2241	—
	17 7/8 (454)	Offset	240	375	18 (2.8)	1.2 (0.54)	M	SGA1J17RO7	OT-1837	—	SS1252	—
	17 7/8 (454)	Offset	120	500	24 (3.7)	1.2 (0.54)	RS	SGA1J17RO1	OT-1850	—	SS1261	SS2241
	17 7/8 (454)	Offset	240	500	24 (3.7)	1.2 (0.54)	RS	SGA1J17RO2	OT-1850	—	SS1272	SS2252
	17 7/8 (454)	Offset	120	750	36 (5.6)	1.2 (0.54)	RS	SGA1J17RO9	—	OT-1807	— SS2261	—
	17 7/8 (454)	Offset	240	750	36 (5.6)	1.2 (0.54)	RS	SGA1J17RO8	—	OT-1807	— SS2272	—
	17 7/8 (454)	Offset	120	1000	48 (7.4)	1.2 (0.54)	RS	SGA1J17RO10	—	OT-1801	— SS2281	—
	17 7/8 (454)	Offset	240	1000	48 (7.4)	1.2 (0.54)	RS	SGA1J17RO3	—	OT-1801	— SS2292	—
	17 7/8 (454)	1-on-1	120	500	24 (3.7)	1.2 (0.54)	M	SGA1J17RT1	S-1850	S-1805	SD1211	SD2171
	17 7/8 (454)	1-on-1	240	500	24 (3.7)	1.2 (0.54)	RS	SGA1J17RT2	S-1850	S-1805	SD1222	SD2182
	17 7/8 (454)	1-on-1	240	750	35 (5.4)	1.2 (0.54)	M	SGA1J17RT3	—	S-1807	— SD2202	—
	17 7/8 (454)	1-on-1	120	1000	47 (7.3)	1.2 (0.54)	M	SGA1J17RT4	—	S-1801	— SD2211	—
	17 7/8 (454)	1-on-1	240	1000	47 (7.3)	1.2 (0.54)	M	SGA1J17RT5	—	S-1801	— SD2222	—
	19 1/2 (496)	Offset	240	350	15 (2.3)	1.3 (0.59)	M	SGA1J19JO6	OT-1935	—	SS1301	—
	19 1/2 (496)	Offset	120	500	22 (3.4)	1.3 (0.59)	M	SGA1J19JO7	OT-1950	OT-1905	— SS2301	—
	19 1/2 (496)	Offset	240	500	22 (3.4)	1.3 (0.59)	RS	SGA1J19JO4	OT-1950	OT-1905	— SS2312	—
	19 1/2 (496)	Offset	240	750	32 (5.0)	1.3 (0.59)	RS	SGA1J19JO8	—	OT-1907	— —	—
	19 1/2 (496)	Offset	240	1000	43 (6.7)	1.3 (0.59)	RS	SGA1J19JO1	—	OT-1901	— SS2332	—
	19 1/2 (496)	1-on-1	240	750	32 (5.0)	1.3 (0.59)	M	SGA1J19JT1	—	S-1907	— SD2262	—
	21 (533)	Offset	120	500	20 (3.1)	1.4 (0.64)	M	SGA1J21AO1	OT-2150	—	SS1341	—
	21 (533)	Offset	240	500	20 (3.1)	1.4 (0.64)	RS	SGA1J21AO2	OT-2150	—	SS1352	—
	21 (533)	Offset	120	750	29 (4.5)	1.4 (0.64)	M	SGA1J21AO3	—	OT-2107	— SS2341	—
	21 (533)	Offset	240	750	29 (4.5)	1.4 (0.64)	RS	SGA1J21AO4	—	OT-2107	— SS2352	—
	21 (533)	1-on-1	120	500	19 (2.9)	1.4 (0.64)	M	SGA1J21AT1	S-2050	S-2005	SD1291	SD2291
	23 3/4 (603)	Offset	120	500	17 (2.6)	1.5 (0.68)	RS	SGA1J23NO5	OT-2450	OT-2405	SS1361	SS2361
	23 3/4 (603)	Offset	240	500	17 (2.6)	1.5 (0.68)	RS	SGA1J23NO6	OT-2450	OT-2405	SS1372	SS2372
	23 3/4 (603)	Offset	120	750	25 (3.9)	1.5 (0.68)	M	SGA1J23NO1	OT-2475	OT-2407	SS1391	SS2381
	23 3/4 (603)	Offset	240	750	25 (3.9)	1.5 (0.68)	RS	SGA1J23NO2	OT-2475	OT-2407	SS1402	SS2392
	23 3/4 (603)	Offset	120	1000	34 (5.3)	1.5 (0.68)	RS	SGA1J23NO7	—	OT-2401	— SS2401	—
	23 3/4 (603)	Offset	240	1000	34 (5.3)	1.5 (0.68)	RS	SGA1J23NO3	—	OT-2401	— SS2412	—
	23 3/4 (603)	Offset	240	1500	51 (7.9)	1.5 (0.68)	RS	SGA1J23NO4	—	OT-2415	— —	—
	23 3/4 (603)	1-on-1	240	250	8 (1.2)	1.5 (0.68)	M	SGA1J23NT1	S-2425	—	SD1322	—
	23 3/4 (603)	1-on-1	240	500	17 (2.6)	1.5 (0.68)	M	SGA1J23NT3	S-2450	S-2404	SD1342	SD2322
	23 3/4 (603)	1-on-1	240	750	25 (3.9)	1.5 (0.68)	RS	SGA1J23NT5	—	S-2407	— SD2352	—
	23 3/4 (603)	1-on-1	120	1000	33 (5.1)	1.5 (0.68)	M	SGA1J23NT6	—	S-2401	— SD2361	—
	23 3/4 (603)	1-on-1	240	1000	33 (5.1)	1.5 (0.68)	M	SGA1J23NT7	—	S-2401	— SD2372	—
	23 3/4 (603)	1-on-1	240	1500	50 (7.8)	1.5 (0.68)	M	SGA1J23NT8	—	S-2415	— —	—
	25 1/2 (648)	Offset	120	500	16 (2.5)	1.7 (0.77)	RS	SGA1J25JO1	OT-2550	—	SS1421	—
	25 1/2 (648)	Offset	240	500	16 (2.5)	1.7 (0.77)	RS	SGA1J25JO2	OT-2550	—	SS1432	—
	25 1/2 (648)	Offset	120	750	23 (3.6)	1.7 (0.77)	M	SGA1J25JO3	OT-2575	OT2507	SS1441	SS2421
	25 1/2 (648)	Offset	240	750	23 (3.6)	1.7 (0.77)	RS	SGA1J25JO4	OT-2575	OT-2507	SS1452	SS2432
	25 1/2 (648)	Offset	240	1000	31 (4.8)	1.7 (0.77)	RS	SGA1J25JO5	—	OT-2501	— SS2452	—

CONTINUED

①Chromalox[®] and Wellman[®] part numbers are used as a cross reference to help select the equivalent Watlow part number. Chromalox[®] sizes 27 in. (686 mm) and longer, and all Wellman[®] sizes have mounting slot center to center distances 1/8 in. (3.2 mm) less than Watlow spacing.

RAPID SHIP

- RS - Next day shipment
- M - Manufacturing lead times

Strip/Clamp-On Heaters

375 High-Temperature Strip Heaters

Heater Part Numbers (Continued)

Width in. (mm)	Length in. (mm)	Term.	Volts	Power (Watts)	Watt Density W/in ² (W/cm ²)	Approx. Net Wt. lbs (kg)	Delivery	Part Number	Chromalox® Part No. ①		Wellman® Part No. ①	
									Rust Resist. Iron Sheath	Chrome Stl. Sheath	Aluminized Steel Sheath	Chrome Stl. Sheath
1 1/2 (38)	26 3/4 (680)	Offset	240	700	21 (3.3)	1.7 (0.77)	RS	SGA1J26NO1	OT-2670	—	SS1472	—
	26 3/4 (680)	Offset	240	1000	29 (4.5)	1.7 (0.77)	RS	SGA1J26NO2	—	OT-2601	—	SS2472
	30 1/2 (775)	Offset	120	750	19 (2.9)	2.0 (0.91)	M	SGA1J30JO2	OT-3075	OT-3007	SS1481	—
	30 1/2 (775)	Offset	240	750	19 (2.9)	2.0 (0.91)	RS	SGA1J30JO3	OT-3075	OT-3007	SS1492	SS2482
	30 1/2 (775)	1-on-1	240	750	19 (2.9)	2.0 (0.91)	RS	SGA1J30JT1	S-3075	S-3007	SD1452	—
	33 1/2 (851)	Offset	240	750	17 (2.6)	2.2 (1.0)	RS	SGA1J33JO1	OT-3375	OT-3307	SS1522	SS2522
	33 1/2 (851)	1-on-1	240	1000	22 (3.4)	2.2 (1.0)	M	SGA1J33JT1	—	S-3301	—	SD2472
	35 7/8 (911)	Offset	120	1000	21 (3.3)	2.3 (1.0)	M	SGA1J35RO4	OT-3610	—	SS1531	—
	35 7/8 (911)	Offset	240	1000	21 (3.3)	2.3 (1.0)	RS	SGA1J35RO3	OT-3610	—	SS1542	SS2532
	35 7/8 (911)	Offset	240	1500	31 (4.8)	2.3 (1.0)	RS	SGA1J35RO1	—	OT-3601	SS2552	—
	35 7/8 (911)	1-on-1	240	1000	21 (3.3)	2.3 (1.0)	RS	SGA1J35RT1	S-3610	S-3601	SD1492	SD2492
	38 1/2 (978)	Offset	120	1000	19 (2.9)	2.5 (1.1)	M	SGA1J38JO2	OT-3810	OT-3801	SS1581	SS2561
	38 1/2 (978)	Offset	240	1500	29 (4.5)	2.5 (1.1)	RS	SGA1J38JO3	—	OT-3815	—	—
	42 1/2 (1080)	Offset	240	1500	26 (4.0)	2.8 (1.3)	RS	SGA1J42JO1	—	OT-4315	SS1632	SS2632
	47 7/8 (1216)	Offset	240	2250	34 (5.3)	3.1 (1.4)	RS	SGA1J47RO1	—	OT-4822	—	—

①Chromalox® and Wellman® part numbers are used as a cross reference to help select the equivalent Watlow part number. Chromalox® sizes 27 in. (686 mm) and longer, and all Wellman® sizes have mounting slot center to center distances 1/8 in. (3.2 mm) less than Watlow spacing.

Note: 5/16 in. x 1/2 in. (7.9 mm x 13 mm) mounting slots are supplied on all 375 strip heaters. Note that the Watlow part number specifies that the 375 strip heater includes an aluminized steel sheath. If a special sheath material is required, such as stainless steel, please contact your Watlow representative for material availability.

RAPID SHIP
 • **RS** - Next day shipment
 • **M** - Manufacturing lead times

Strip/Clamp-On Heaters

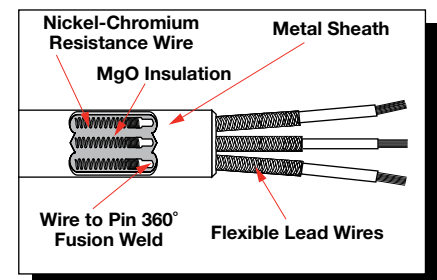
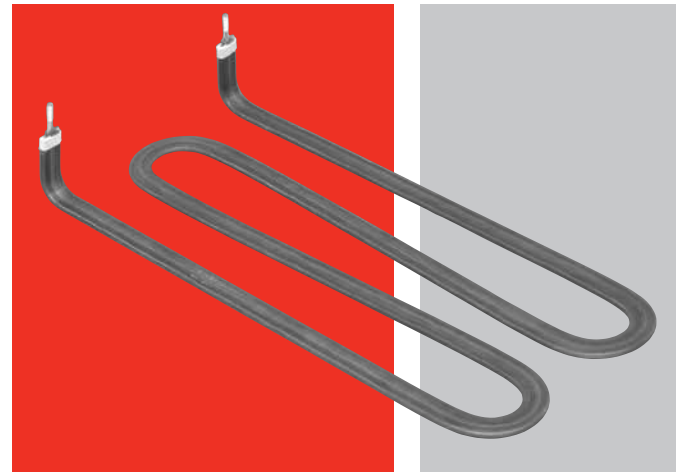
FIREBAR® Clamp-On Heaters

FIREBAR® heating elements provide added heating performance over standard round tubular heating elements—especially for immersion applications in petroleum based liquids requiring high kilowatts.

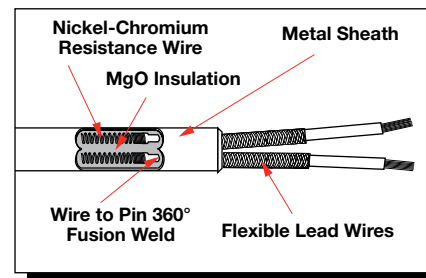
The FIREBAR's unique flat surface geometry packs more power in shorter elements and assemblies, along with a host of other performance improvements. These include:

- Minimizing coking and fluid degrading
- Enhancing the flow of fluid past the element's surface to carry heat from the sheath
- Improving heat transfer with a significantly larger boundary layer allowing much more liquid to flow up and across the sheath's surface

FIREBAR elements are available in single- and double-ended constructions with one inch or $\frac{5}{8}$ inch heights. These two configuration variables make it possible to use FIREBAR elements instead of round tubular elements in virtually all applications.



One-Inch Double-Ended FIREBAR Element and Lead Configurations



$\frac{5}{8}$ -Inch Double-Ended FIREBAR Element and Lead Configurations

**For detailed product and technical data,
see the full FIREBAR product
section located on pages 93 through 111.**

Strip/Clamp-On Heaters

Thick Film Conduction Heaters

The Watlow 430 stainless steel thick film conduction heater is ideal for many applications where fast response and uniformity are essential. A clamp-on, thick film heater provides the best possible combination of heat transfer, thermal efficiency, temperature response and uniformity in a low profile package.

This high-performance heater can be used in areas where space is limited or where conventional heaters cannot be used due to limited voltage and wattage combinations.

Thick film conduction heaters provide a low profile in a variety of shapes including two-dimensional circular and rectangular forms. Direct contact of thick film heaters to surfaces ensures efficient heat transfer through thermally stable substrates and precise resistance trace patterns.

Performance Capabilities

- Maximum substrate temperature up to 1022°F (550°C). Contact your Watlow representative for applications over 842°F (450°C)
- Watt densities up to 75 W/in² (11.6 W/cm²)
- Voltages up to 240V

Features and Benefits

Watt densities up to 75 W/in² (11.6 W/cm²) for clamp-on applications

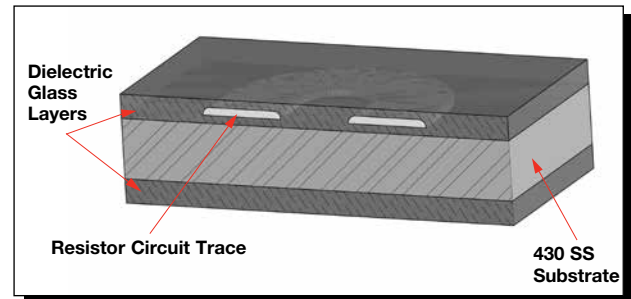
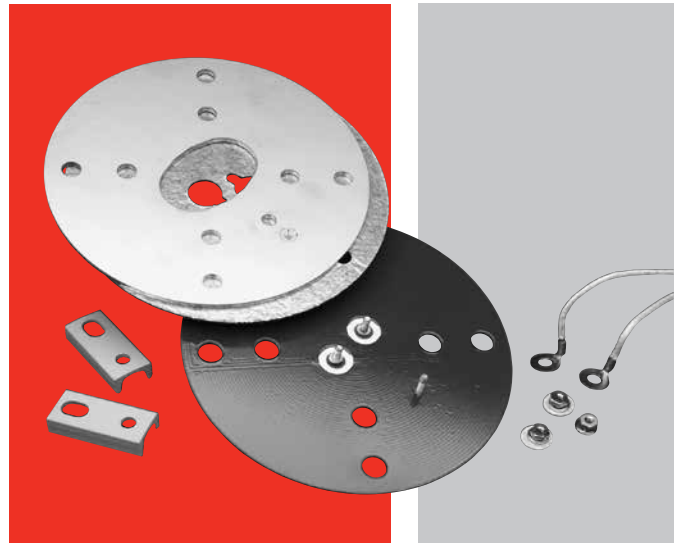
- Allows precise, repeatable wattage distribution and uniform temperature profile

Threaded stud termination

- Produces strong, trouble-free connections, see *Termination Assembly* drawing on page 464

Agency approvals

- UL® component recognition available upon request



Typical Applications

- Food warming cabinets
- Load dump resistors
- Seal bars
- Deposition chamber lids

**For detailed product and technical data,
see the full Thick Film Conduction
product section located on pages 463 through 466.**

Band/Barrel Heaters

Band/Barrel Heaters	Sheath Materials	Max. Operating Temperatures		Typical Max. Watt Densities		Page
		°F	°C	W/in ²	W/cm ²	
Mineral Insulated (MI)	Stainless steel	1400	760	100	15.5	493



Band/Barrel Heaters



Band/Barrel Heaters

Mineral Insulated (MI) Band Heaters

The mineral insulated (MI) band heater from Watlow® is a high-performance heater that incorporates Watlow's exclusive mineral insulation. This material offers much higher thermal conductivity than mica and hard ceramic insulators that are used in conventional heaters.

A thin layer of the "high" thermally conductive MI material electrically insulates the element wire from the inside diameter of the heater sheath. A thicker, low thermally conductivity layer backs up the element wire directing the heat inward toward the part being heated. The result is more efficient heat transfer, which lowers element wire temperatures and increases heater life.

Performance Capabilities

- Heater operating temperatures up to 1400°F (760°C)
- Watt densities up to 100 W/in² (15.5 W/cm²) available on large diameter barrel bands
- Maximum voltage to 480V

Features and Benefits

High thermal conductivity of MI and low mass construction

- Provides an almost instant response to temperature control
- Eliminates thermal lag and temperature overshoot associated with ceramic insulated heaters

Operating temperatures up to 1400°F (760°C)

- Allows safe melting of resins such as PEEK™, Teflon®, Ultem® and Zytel®

Higher watt densities

- Contributes to faster heat-up and throughput for increased productivity

Stainless steel cover and side fold design

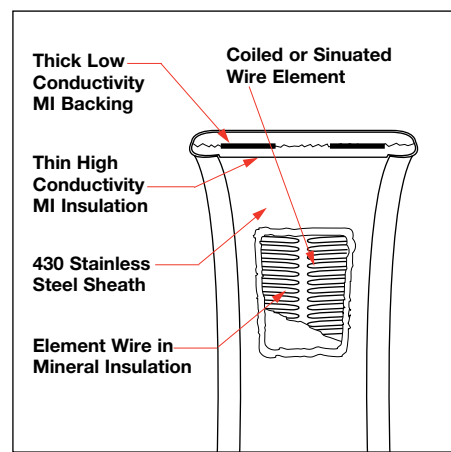
- Resists contamination from overflow of plastic or other free-flowing materials

Attached clamp bars

- Eliminates cumbersome clamping straps to ease installation

Typical Applications

- Extruders
- Blown film dies
- Injection molding machines
- Other cylinder heating applications



Band/Barrel Heaters

Mineral Insulated (MI) Band Heaters

Applications and Technical Data

The *Physical Limitations of Variations* table shows the availability of widths, inside diameters and terminations for Watlow's MI band, barrel and nozzle heaters. To ensure available terminations meet application needs, refer to the termination variation illustrations in this section.

If the application requires a heater exceeding limitations shown, contact your Watlow representative.

Physical Limitations of Variations

Width in. (mm)	I.D. Available – in. (mm)								Available Terminations
	1 pc. Construction Min. (mm) Max. (mm)		Expandable Min. (mm) Max. (mm)		2 pc. Construction Min. (mm) Max. (mm)				
1 (25)	1 (25)	– 6 (152)	3 (76)	– 12 (305)	3 (76)	– 12 (305)			All
1 ³ / ₈ (35)	1 (25)	– 3 (76)	3 (76)	– 6 (152)	3 (76)	– 6 (152)			All - Except SLE
1 ¹ / ₂ (38)	1 (25)	– 14 (356)	3 (76)	– 14 (356)	3 (76)	– 28 (711)			All
2 (51)	1 ¹ / ₄ (32)	– 14 (356)	3 (76)	– 14 (356)	3 (76)	– 28 (711)			All
2 ¹ / ₂ (64)	1 ¹ / ₄ (32)	– 14 (356)	3 (76)	– 14 (356)	3 (76)	– 28 (711)			All
3 (76)	1 ¹ / ₂ (38)	– 14 (356)	3 (76)	– 14 (356)	3 (76)	– 28 (711)			All
3 ¹ / ₂ (89)	1 ³ / ₄ (45)	– 14 (356)	3 (76)	– 14 (356)	3 (76)	– 28 (711)			All - Except 90° "B" Leads
4 (102)	2 (51)	– 14 (356)	3 (76)	– 14 (356)	3 (76)	– 28 (711)			All
4 ¹ / ₂ (114)	2 ¹ / ₄ (57)	– 14 (356)	3 (76)	– 14 (356)	3 (76)	– 28 (711)			All
5 (127)	2 ¹ / ₂ (64)	– 14 (356)	3 (76)	– 14 (356)	4 (102)	– 28 (711)			All - Except 90° "B" Leads
5 ¹ / ₂ (140)	2 ³ / ₄ (70)	– 14 (356)	3 (76)	– 14 (356)	4 (102)	– 28 (711)			Post Terminals, SLE only
6 (152)	3 (76)	– 14 (356)	3 (76)	– 14 (356)	4 (102)	– 28 (711)			All

General Limitations

- Maximum width of 1 in. (25 mm) diameter heater: 1¹/₂ in. (38 mm)
- Maximum heater width: 2x heater diameter
- Minimum I.D. for Type B, C, E and H leads: 1 in. (25 mm)
- Minimum I.D. for Type B—90° leads: 1¹/₈ in. (29 mm)
- Maximum lead amperes: 12.5A per pair
- SLE maximum: 17.0A
- Maximum amperes (post terminals): 30A per pair
- Minimum diameter and width for SLE: 4 in. x 1¹/₂ in. (102 mm x 38 mm) width
- 90° leads not available over 250VAC
- Minimum I.D. for post terminals: 1¹/₄ in. (32 mm)
- Actual width for 7 in. (178 mm) wide heater: 6⁷/₈ in. (175 mm)

Gaps

- ≤ 3 in. = 1/8 in. nominal
- 3 in. ≤ 6 in. = 1/4 in. nominal ±1/8 in.
- 6 in. ≤ 14 in. = 3/8 in. nominal ±1/8 in.
- >14 in. = 1/2 in. nominal ±1/4 in.

Band/Barrel Heaters

Mineral Insulated (MI) Band Heaters

Applications and Technical Data (Continued)

Calculating Watt Density

Watt density is the amount of wattage per square inch of heated area. To determine watt density, divide the total wattage by the heated area.

$$\text{Watt Density} = \frac{\text{Total Watts}}{\text{Heated Area}}$$

To apply this equation, the term “heated area” must be defined. Heated area is the total contact surface of the heater less the areas of no-heat found around terminals, mounting holes, etc.

Heated Area = Total Contact Area - No-Heat Area

To calculate the heated area:

1. Locate the **no-heat factor** from the chart below that corresponds to the type of heater being considered.

Type	No-Heat Factor in.
1 pc. lead unit Type B, C, H, E or 90°B	1.37
1 pc. post terminal	1.60
1 pc. expandable post term	3.18
1 pc. expandable lead unit	3.00
True 2 pc. post term	3.20
True 2 pc. leads	2.74
SLE	3.68

2. To use the formula below, insert the no-heat factors, diameter and width (in inches).

$$\text{Heated Area} = (3.14 \times \text{Diameter} - \text{No-Heat Factor}) \times \text{Width}$$

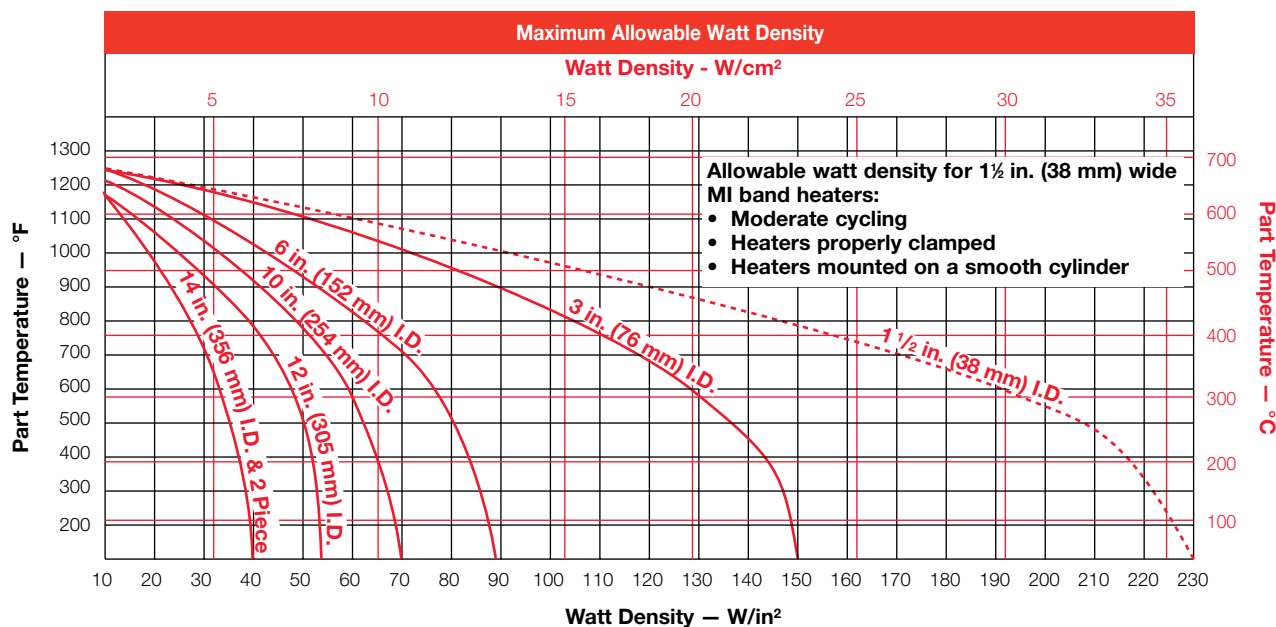
Maximum Allowable Watt Density

The following derating factors apply to the *Maximum Allowable Watt Density* chart, which are displayed in both inches and millimeters. Review these factors and the chart to determine the correct watt density curve for the application.

Derating Factors:

- For units over 2 in. (51 mm) in width, multiply the watt density by 0.80.

- For applications where unusual operating conditions are present, such as irregular mounting surfaces, contact your Watlow representative for watt density limitations.
- For two-piece units used in vertical applications, refer to *Clamping Matrix Application Guide* on page 496.
- For applications where insulating blankets are used, multiply watt density by 0.75.



Band/Barrel Heaters

Mineral Insulated (MI) Band Heaters

Applications and Technical Data (Continued)

- Review the *Watt Density* chart to ensure the application does not exceed the maximum watt density at operating temperature after applying derating factors.
- Locate clamping guideline for unit diameter, width and watt density.
- Description of guideline letters are at the bottom of the *MI Band Clamping Matrix Application Guide*.
- Note:** Upward arrows are up to and not including specified watt density. Downward arrows are greater than or equal to specified watt density.

MI Band Clamping Matrix Application Guide

Watt Density-W/in ²	8 ≥ 10		10 ≥ 12		12 ≥ 14		14 ≥ 16		16 ≥ 18		18 ≥ 20		20 ≥ 22		22 ≥ 24		24 ≥ 26		26 ≥ 28		
	1 1/2 to 4 in. (38 to 102 mm)	4 1/2 to 7 in. (114 to 178 mm)	1 1/2 to 4 in. (38 to 102 mm)	4 1/2 to 7 in. (114 to 178 mm)	1 1/2 to 4 in. (38 to 102 mm)	4 1/2 to 7 in. (114 to 178 mm)	1 1/2 to 4 in. (38 to 102 mm)	4 1/2 to 7 in. (114 to 178 mm)	1 1/2 to 4 in. (38 to 102 mm)	4 1/2 to 7 in. (114 to 178 mm)	1 1/2 to 4 in. (38 to 102 mm)	4 1/2 to 7 in. (114 to 178 mm)	1 1/2 to 4 in. (38 to 102 mm)	4 1/2 to 7 in. (114 to 178 mm)	1 1/2 to 4 in. (38 to 102 mm)	4 1/2 to 7 in. (114 to 178 mm)	1 1/2 to 4 in. (38 to 102 mm)	4 1/2 to 7 in. (114 to 178 mm)	1 1/2 to 4 in. (38 to 102 mm)	4 1/2 to 7 in. (114 to 178 mm)	
80																					
75																					
70																					
65	↑ B		↑ B																		
60																					
55		↑ B	↑ B		↑ B	↑ B															
50																					
45																					
40																					
35																					
30	↑ A		↑ A		↑ A	↑ A	↑ A	↑ B	↑ D	↑ D	↑ D	↑ D	↑ D	↑ D	↑ D	↑ D	↑ D	↑ D	↑ D	↑ D	
25																					
20																					
15																					
10																					
0																					

Above Recommended Watt Densities
Contact your Watlow Representative

- A = Clamp bars, expandable or one piece construction
 - B = Spring clamps, expandable or one piece construction
 - C = Spring clamps, at one gap, welded barrel nuts at other gap
 - D = Spring clamps, spring clamps at both gaps
- | | |
|------------------|---------------------------------|
| Width | Clamp Points at Each Gap |
| ≥ 5 in. (127 mm) | 3 |
| ≥ 3 in. (76 mm) | 2 |
| < 3 in. (76 mm) | 1 |

Note: 1 in. (25 mm) wide heaters use welded barrel nuts rather than clamp bars.

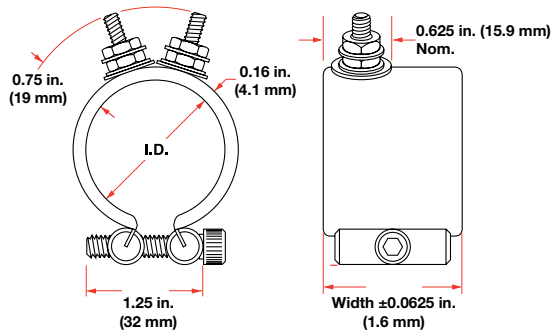
Band/Barrel Heaters

Mineral Insulated (MI) Band Heaters

Termination Variations

Post Terminals

Stock



Post terminals provide optimum connections. Screw thread is 10-24. To order, specify **post terminals** (metric threads available).

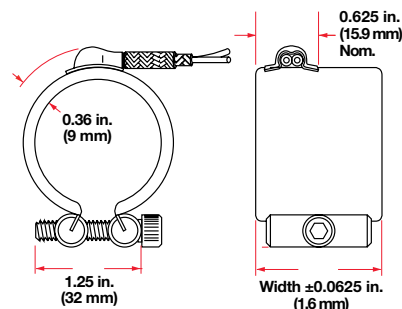
Lead Wire

Heaters rated at less than 250VAC use UL[®] approved lead insulation for operations to 480°F (250°C) as standard. Lead insulation UL[®] rated for operation to 840°F (450°C) is available for high-temperature applications where the leads are shrouded or enclosed with the heater. These leads are available in any of the Type B with loose braid as well as Types E, F and H lead configurations. All heaters rated at more than 250VAC use this wire. When ordering, specify **850°F (450°C) wire**.

Leads Type B, Type B - 90° rotation, Type B - 180° rotation or Type C: Two fiberglass-insulated lead wires exit in a single metal braid for good abrasion protection, lead flexibility and wiring convenience. Leads are 2 in. (51 mm) longer than braid. Shipped with 12 in. (305 mm) leads, unless longer length is specified. To order, specify **type and length**.

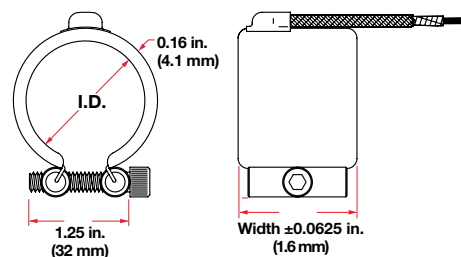
Type B - 90° Rotation

Non-Stock



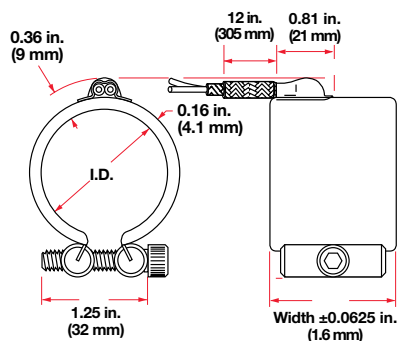
Type B - 180° Rotation

Stock



Type B

Stock



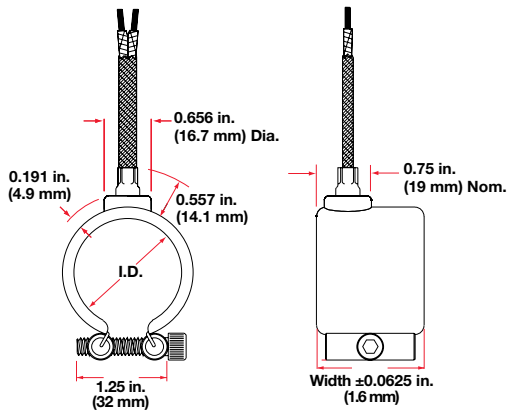
Band/Barrel Heaters

Mineral Insulated (MI) Band Heaters

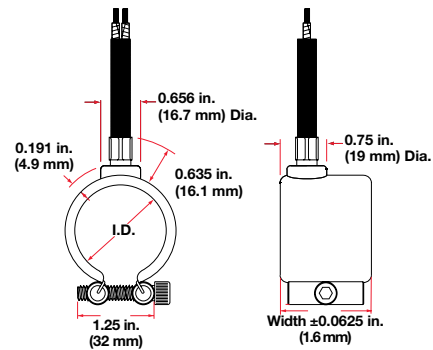
Termination Variations (Continued)

Lead Wire (Continued)

Type C Stock

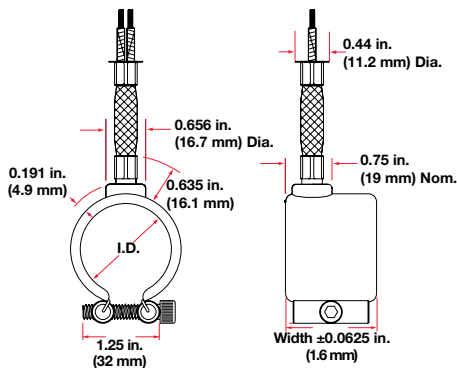


Type F Stock



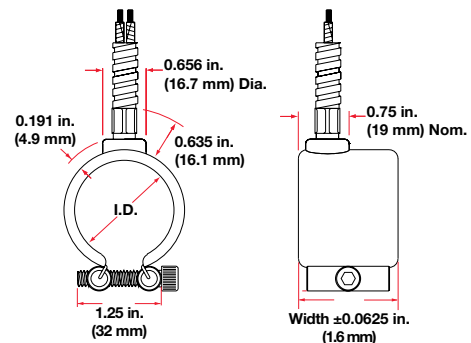
Type F: Loose fiberglass sleeving encloses two fiberglass leads for additional insulation protection where high temperature or minor abrasion is present. Leads are 2 in. (51 mm) longer than the sleeving. To order, specify **Type F** and **length**.

Type E Stock



Type E: Loose metal braid encloses two fiberglass leads for good abrasion protection, lead flexibility and wiring convenience. Leads are 2 in. (51 mm) longer than the braid. Shipped with 12 in. (305 mm) leads, unless longer length is specified. To order, specify **Type E** and **length**.

Type H Stock



Type H: A flexible steel hose encloses the leads for maximum abrasion protection. Leads are 2 in. (51 mm) longer than hose. Shipped with 12 in. (305 mm) leads, unless longer length is specified. To order, specify **Type H** and **length**.

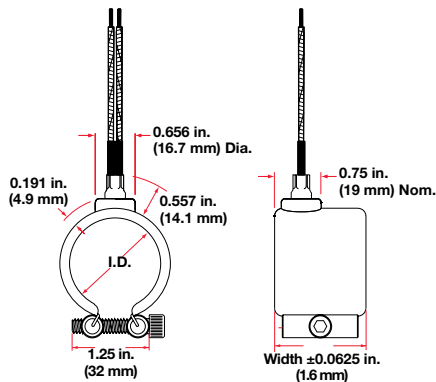
Band/Barrel Heaters

Mineral Insulated (MI) Band Heaters

Termination Variations (Continued)

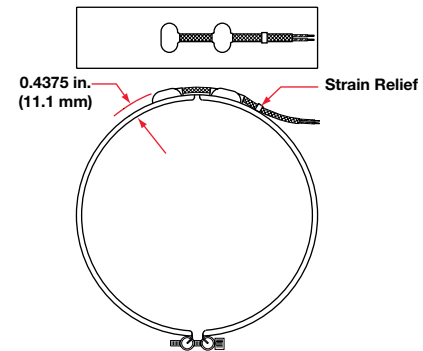
Lead Wire (Continued)

Type K Stock



Type K: Flexible lead wires exit vertically from the heater. These leads can be bent adjacent to the heater for a quick and easy connection. To order, specify **Type K** and **length**.

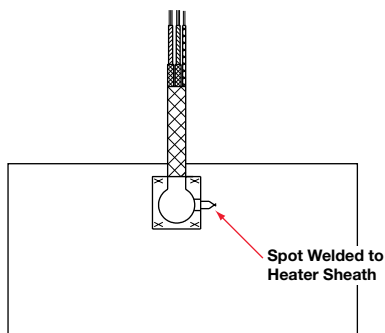
Type SLE



Two fiberglass lead wires exit a single, tightly woven metal braid at a right angle on the expandable construction vs. two sets of leads. The minimum diameter capability is 4 in. (102 mm). Minimum width capability is 1¹/₂ in. (38 mm). To order, specify **Type SLE** and **length**.

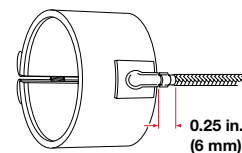
Variations

Thermocouple



ASTM Type J or K thermocouples are available on lead Type B with loose braid and fiberglass sleeving. They are also available on E, F and H leads. The thermocouple junction, spot-welded to the heater sheath, provides a signal for measuring relative heater temperature. A separate thermocouple is available.

Heavy Duty Strain Relief



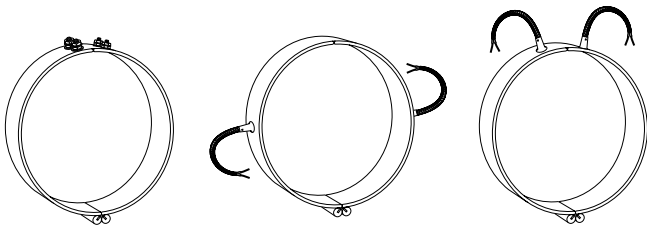
Heavy duty strain relief is recommended for applications where there is great stress or continued flexing of the leads. The strain relief is available on Type B, Type B - 90° and Type B - 180° leads only. To order, specify **heavy-duty strain relief**. **Note:** not available with loose braid or fiberglass sleeving.

Band/Barrel Heaters

Mineral Insulated (MI) Band Heaters

Variations (Continued)

Expandable Heaters With Post Terminals or Leads

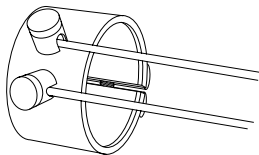


Expandable heaters are two-piece units with a common top metal allowing the heater to expand open to the full diameter of the barrel. On expandable bands, each half will be one half of the total wattage. Plus, on both expandable and two-piece bands, each half will be rated at full operating voltage, unless otherwise specified.

MI band heaters 1½ in. (38 mm) wide or greater have post terminals located next to the expansion joint. Leads may be located anywhere along the circumference except near the gap and at the expansion joint. Two sets of leads required.

On 1 in. (25 mm) wide MI band heaters, post terminals will be located 90° from the expansion joint. Leads may be located anywhere along the circumference except near the gap and at the expansion joint. Two sets of leads are required. To order, specify **expandable**. Expandable heaters are designed to be opened for new installation only.

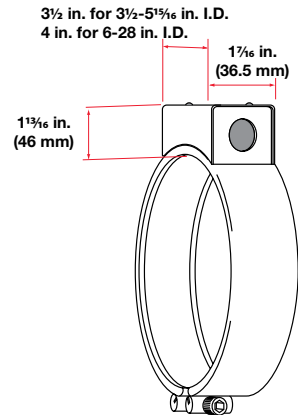
Ceramic Terminal Cover



Ceramic covers, with openings for leads, are screwed on to post terminals, providing a convenient, economical insulator. To order, specify part number **Z-4918** and **quantity**. For metric sizes specify thread needed.

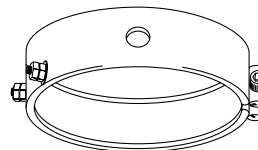
Note: Ceramic terminal covers will not fit on some stock expandable MI bands or nozzles. Contact your Watlow representative for more information.

Metallic Terminal Box



Metallic terminal boxes are available from stock on 3½ in. inside diameter x 1½ in. wide (89 mm x 38 mm) or larger heaters. Terminal boxes, which attach directly to the heater, act as a safety feature by covering the terminals. Conduit may be attached to the box through 7/8 in. (22 mm) diameter holes in the ends of the box. Two-piece heaters require two boxes. To order, specify **terminal box**.

MI Band Heater with Holes



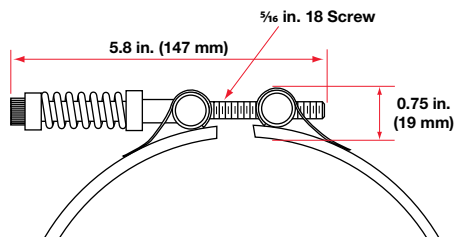
MI band heaters with holes are available on all widths except 1 in. (25 mm) wide. Contact your Watlow representative for hole sizes and location constraints. To order, specify **hole size** and **location**. The inside diameter minimum is 3 in. (76 mm). **Note:** a minimum charge per line item applies.

Band/Barrel Heaters

Mineral Insulated (MI) Band Heaters

Clamping Variations

Tig-Welded Barrel Nuts with Spring Loaded Clamping

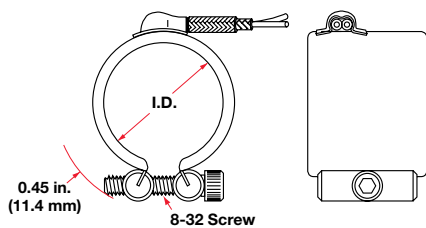


Welded barrel nuts with spring loaded clamping are used to maintain a tight heater fit on large barrels during start-up. This clamping variation is recommended for all MI band heaters greater than 14 in. (356 mm) in diameter and 1 1/2 in. (38 mm) or greater in width. Refer to *MI Band Clamping Matrix Application Guide*. For smaller diameter heaters, it is an option and must be ordered separately. To order, specify **spring loaded clamping**.

Low-Profile Tig-Welded Barrel Nuts

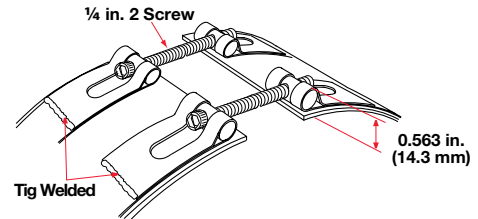
Low-profile barrel nuts are available on all widths and provide a clearance of 0.470 in. (12 mm). However, this value can be higher depending on how far the clamp screw extends past the barrel nut. To order, specify **low-profile tig-welded barrel nuts**.

Low-Profile Clamp Bars



Low-profile clamp bars are available on both 1 in. (25 mm) and 1 1/2 in. (38 mm) wide heaters, for wider widths contact your Watlow representative. Watlow recommends not using low-profile clamping on diameters and widths greater than 3 in. (76 mm). The bars are 1/4 in. (6 mm) diameter with an 8-32 screw. To order, specify **low-profile clamp bars**.

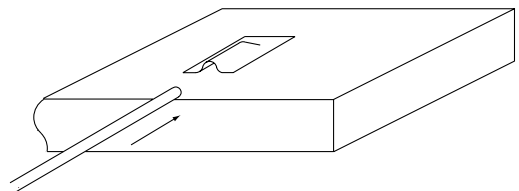
Tig-Welded Barrel Nuts



Tig-welded barrel nuts can function like a hinge to allow two-piece heaters to be more easily installed. If a large gap is specified to provide access for instrumentation, tig-welded barrel nuts can be situated in such a way that the clamp screws do not interfere with the sensor. To order, specify **gap size and sensor location**. **Note:** a gap greater than 1 in. (25 mm) wide is considered extended capability.

Options

Thermocouple Pocket



A thermocouple pocket welded to the surface accepts a 0.063 in. (2 mm) diameter thermocouple (not included). This option provides accurate temperature sensing of the heater and easy thermocouple replacement.

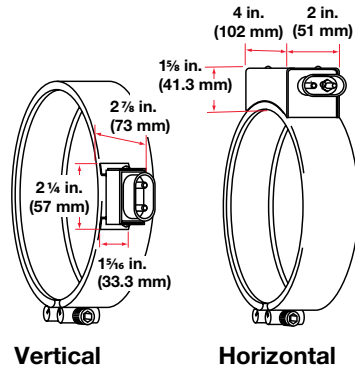
Band/Barrel Heaters

EXTENDED
CAPABILITY

Extended Capabilities For Mineral Insulated (MI) Band Heaters

Variations

High Temperature “Quick Disconnect” European Style Plugs

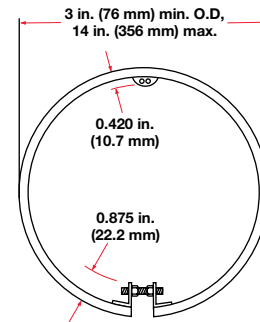


They provide the simplest and safest way to apply power to band heaters. The combination of high-temperature male and female “quick disconnect” plug assemblies eliminates all live exposed terminals and electrical wiring that can be a potential hazard to employees or machine. Maximum 15 amperes at 240VAC, maximum 240V. To order, specify **vertical** or **horizontal** European plug.

Ground Wire

Insulated ground wire is available, contact your Watlow representative.

Outside Diameter Heater



Two fiberglass-insulated lead wires rated to 840°F (450°C) exit a metal braid 180° opposite from gap, Type B outside diameter designed and constructed to mate with inside diameter of cylinders. Maximum width for outside diameter heaters is 6 in. (152 mm). To order, specify **outside diameter and width** of heater.

Band/Barrel Heaters

Mineral Insulated (MI) Band Heaters

Heater Part Numbers

I.D. in. (mm)	Width in. (mm)	Construction	Volts	Watts	Watt Density		Termination	Approx. Net Wt.		Delivery	Part Number
					W/in ²	(W/cm ²)		lbs	(kg)		
1 (25)	1 (25)	1 pc	120	150	92	(14.2)	Type B,C,E, F or H	0.1	(0.05)	RS	MB1A1AN1
	1 (25)	1 pc	120	100	61	(9.4)	Type B,C,E, F or H	0.1	(0.05)	RS	MB1A1AN2
	1 (25)	1 pc	120	200	122	(18.9)	Type B,C,E, F or H	0.1	(0.05)	RS	MB1A1AN3
	1 (25)	1 pc	240	200	122	(18.9)	Type B,C,E, F or H	0.1	(0.05)	RS	MB1A1AN4
	1 1/2 (38)	1 pc	240	300	106	(16.4)	Type B,C,E, F or H	0.1	(0.05)	RS	MB1A1JN1
	1 1/2 (38)	1 pc	120	300	106	(16.4)	Type B,C,E, F or H	0.1	(0.05)	RS	MB1A1JN2
	1 1/2 (38)	1 pc	240	200	70	(10.8)	Type B,C,E, F or H	0.1	(0.05)	RS	MB1A1JN3
	1 1/2 (38)	1 pc	120	200	70	(10.8)	Type B,C,E, F or H	0.1	(0.05)	M	MB1A1JN4
	1 1/2 (38)	1 pc	240	400	141	(21.8)	Type B,C,E, F or H	0.1	(0.05)	RS	MB1A1JN5
1 1/4 (32)	1 (25)	1 pc	240	250	104	(16.1)	Type B,C,E, F or H	0.1	(0.05)	RS	MB1E1AN1
	1 (25)	1 pc	120	250	104	(16.1)	Type B,C,E, F or H	0.1	(0.05)	RS	MB1E1AN2
	1 (25)	1 pc	240	300	124	(19.2)	Type B,C,E, F or H	0.1	(0.05)	M	MB1E1AN3
	1 1/2 (38)	1 pc	240	350	87	(13.5)	Type B,C,E, F or H	0.2	(0.09)	RS	MB1E1JN1
	1 1/2 (38)	1 pc	120	350	87	(13.5)	Type B,C,E, F or H	0.2	(0.09)	RS	MB1E1JN2
	1 1/2 (38)	1 pc	240	450	112	(17.3)	Type B,C,E, F or H	0.2	(0.09)	M	MB1E1JN3
1 1/2 (38)	1 (25)	1 pc	240	300	93	(14.4)	Type B,C,E, F or H	0.1	(0.05)	M	MB1J1AN1
	1 (25)	1 pc	120	300	93	(14.4)	Type B,C,E, F or H	0.1	(0.05)	RS	MB1J1AN2
	1 (25)	1 pc	240	200	62	(9.6)	Type B,C,E, F or H	0.1	(0.05)	RS	MB1J1AN3
	1 (25)	1 pc	120	200	62	(9.6)	Type B,C,E, F or H	0.1	(0.05)	RS	MB1J1AN4
	1 (25)	1 pc	240	400	125	(19.3)	Type B,C,E, F or H	0.1	(0.05)	RS	MB1J1AN5
	1 1/2 (38)	1 pc	120	300	62	(9.6)	Type B,C,E, F or H	0.2	(0.09)	RS	MB1J1JN1
	1 1/2 (38)	1 pc	240	450	87	(13.5)	Type B,C,E, F or H	0.2	(0.09)	RS	MB1J1JN2
	1 1/2 (38)	1 pc	240	300	62	(9.6)	Type B,C,E, F or H	0.2	(0.09)	RS	MB1J1JN3
	1 1/2 (38)	1 pc	240	600	116	(17.9)	Type B,C,E, F or H	0.2	(0.09)	M	MB1J1JN4
	1 1/2 (38)	1 pc	240	300	62	(9.6)	Post	0.2	(0.09)	M	MB1J1JP4
	1 1/2 (38)	1 pc	240	450	96	(14.8)	Post	0.2	(0.09)	RS	MB1J1JP6
	2 (51)	1 pc	240	450	57	(8.8)	Type B,C,E, F or H	0.3	(0.14)	RS	MB1J2AN1
	2 (51)	1 pc	240	300	42	(6.5)	Type B,C,E, F or H	0.3	(0.14)	RS	MB1J2AN2
	2 (51)	1 pc	240	900	125	(19.3)	Type B,C,E, F or H	0.3	(0.14)	RS	MB1J2AN3
	3 (76)	1 pc	240	500	45	(7.0)	Type B,C,E, F or H	0.4	(0.18)	RS	MB1J3AN1
	3 (76)	1 pc	240	350	31	(4.8)	Type B,C,E, F or H	0.4	(0.18)	M	MB1J3AN2
3 (76)	1 pc	240	1000	104	(16.1)	Type B,C,E, F or H	0.4	(0.18)	M	MB1J3AN3	
1 3/4 (45)	1 3/8 (35)	1 pc	240	450	83	(12.9)	36 in. 90° Type B braid w/HD strain relief	0.2	(0.09)	RS	MB1N1GX3A
	1 1/2 (38)	1 pc	240	300	47	(7.3)	Type B,C,E, F or H	0.2	(0.09)	RS	MB1N1JN1
	1 1/2 (38)	1 pc	120	300	50	(7.7)	Type B,C,E, F or H	0.2	(0.09)	RS	MB1N1JN2
	1 1/2 (38)	1 pc	240	700	110	(17.0)	Type B,C,E, F or H	0.2	(0.09)	RS	MB1N1JN3
	2 (51)	1 pc	240	750	86	(13.3)	Type B,C,E, F or H	0.3	(0.14)	M	MB1N2AN1
2 (51)	1 (25)	1 pc	240	350	73	(11.3)	Type B,C,E, F or H	0.2	(0.09)	RS	MB2A1AN1
	1 (25)	1 pc	120	350	73	(11.3)	Type B,C,E, F or H	0.2	(0.09)	RS	MB2A1AN2
	1 (25)	1 pc	240	450	94	(14.5)	Type B,C,E, F or H	0.2	(0.09)	RS	MB2A1AN3
	1 (25)	1 pc	240	350	73	(10.3)	36 in. 90° Type B braid w/HD strain relief	0.2	(0.09)	RS	MB2A1AX6B

CONTINUED

RAPID SHIP

- **RS** - Next day shipment up to 5 pieces

- **M** - Manufacturing lead times

Notes:

All lead units are available with any length Type B, C, E, F or Type H leads. Type B 90° rotation not available as RAPID SHIP.

Band/Barrel Heaters

Mineral Insulated (MI) Band Heaters

Heater Part Numbers (Continued)

I.D. in. (mm)	Width in. (mm)	Construction	Volts	Watts	Watt Density		Termination	Approx. Net Wt.		Delivery	Part Number
					W/in ²	(W/cm ²)		lbs	(kg)		
2 (51)	1 1/2 (38)	1pc	240	400	53	(8.2)	Type B,C,E, F or H	0.3	(0.14)	RS	MB2A1JN1
	1 1/2 (38)	1pc	240	1000	132	(20.4)	Type B,C,E, F or H	0.3	(0.14)	M	MB2A1JN2
	2 (51)	1pc	240	750	75	(11.6)	Type B,C,E, F or H	0.4	(0.18)	M	MB2A2AN1
	2 (51)	1pc	240	1200	125	(19.3)	Type B,C,E, F or H	0.4	(0.18)	RS	MB2A2AN2
	2 (51)	1pc	240	750	75	(11.6)	36 in. 90° Type B braid w/HD strain relief	0.2	(0.09)	RS	MB2A2AX2A
2 1/4 (57)	2 (51)	1pc	240	750	63	(9.7)	120 in. 180° Type B braid w/HD strain relief	0.2	(0.09)	RS	MB2E2AX7
	2 1/2 (64)	1 pc	240	1000	72	(11.2)	Type B,C,E, F or H	0.5	(0.23)	RS	MB2E2JN1
2 1/2 (64)	1 (25)	1 pc	240	400	63	(9.7)	Type B,C,E, F or H	0.2	(0.09)	RS	MB2J1AN1
	1 1/2 (38)	1 pc	240	500	50	(7.7)	Type B,C,E, F or H	0.4	(0.18)	RS	MB2J1JN1
3 (76)	1 (25)	1 pc	240	400	54	(8.4)	Post	0.3	(0.14)	M	MB3A1AP1
	1 1/2 (38)	1 pc	240	500	40	(6.2)	Post	0.4	(0.18)	RS	MB3A1JP1
	1 1/2 (38)	2 pc exp	230/460	525	53	(8.2)	Post	0.4	(0.18)	M	ME3A1JP10
3 1/2 (89)	2 (51)	1 pc	240	800	42	(6.5)	Post	0.7	(0.32)	RS	MB3J2AP2
3 5/8 (92)	1 1/2 (38)	2 pc exp	230/460	650	51	(7.9)	Post	0.5	(0.23)	M	ME3L1JP5
4 (102)	1 (25)	1 pc	240	700	62	(9.6)	Post	0.4	(0.18)	RS	MB4A1AP1
	1 1/2 (38)	1 pc	240	800	48	(7.4)	Post	0.6	(0.27)	RS	MB4A1JP2
	1 1/2 (38)	2 pc exp	230/460	625	43	(6.7)	Post	0.6	(0.27)	RS	ME4A1JP11
	1 1/2 (38)	2 pc exp	230/460	725	50	(7.8)	Post	0.6	(0.27)	RS	ME4A1JP12
4 1/2 (114)	2 1/2 (64)	1pc	240	1250	40	(6.2)	Post	1.0	(0.45)	RS	MB4J2JP1
5 (127)	1 1/2 (38)	2 pc exp	240/480	1000	52	(8.1)	Post	0.8	(0.36)	RS	ME5A1JP8
5 1/4 (133)	1 1/2 (38)	2 pc exp	240/480	1000	48	(7.4)	Post	0.8	(0.36)	M	ME5E1JP1
	1 1/2 (38)	2 pc exp	230/460	600	29	(4.5)	Post	0.7	(0.32)	M	ME5E1JP9
	3 (76)	2 pc exp	230/460	1700	40	(6.2)	Post	1.5	(0.68)	RS	ME5E3AP5
	4 1/2 (114)	2 pc exp	230/460	2400	38	(5.9)	Post	2.2	(1.00)	RS	ME5E4JP2
	4 1/2 (114)	2 pc exp	230/460	2700	43	(6.6)	Post	2.2	(1.00)	M	ME5E4JP3
5 1/2 (140)	1 1/2 (38)	2 pc exp	240/480	1000	46	(7.1)	Post	0.9	(0.40)	RS	ME5J1JP1
6 (152)	1 1/2 (38)	2 pc exp	240/480	1000	41	(6.4)	Post	0.9	(0.40)	M	ME6A1JP2
6 1/2 (165)	1 1/2 (38)	2 pc exp	240/480	1250	47	(7.3)	Post	1.0	(0.45)	RS	ME6J1JP5
6 3/4 (171)	1 1/2 (38)	2 pc exp	230/460	815	29	(4.5)	Post	0.9	(0.40)	M	ME6N1JP6
	1 1/2 (38)	2 pc exp	230/460	1000	36	(5.6)	Post	0.9	(0.40)	M	ME6N1JP7
	4 (102)	2 pc exp	230/460	2600	35	(5.4)	Post	2.5	(1.10)	M	ME6N4AP2
	5 (127)	2 pc exp	230/460	3700	40	(6.2)	Post	3.2	(1.50)	M	ME6N5AP3
	6 (152)	2 pc exp	230/460	3750	33	(5.1)	Post	3.8	(1.70)	M	ME6N6AP5
7 (178)	1 1/2 (38)	2 pc exp	240/480	1250	43	(6.6)	Post	1.1	(0.50)	M	ME7A1JP4
7 1/2 (191)	1 1/2 (38)	2 pc exp	240/480	1500	47	(7.3)	Post	1.1	(0.50)	M	ME7J1JP4
7 5/8 (194)	3 (76)	2 pc exp	230/460	1800	28	(4.3)	Post	2.2	(1.00)	M	ME7L3AP1
8 (203)	1 1/2 (38)	2 pc exp	240/480	1250	37	(5.7)	Post	1.2	(0.54)	M	ME8A1JP4
9 (229)	1 1/2 (38)	2 pc exp	240/480	1500	39	(6.0)	Post	1.4	(0.64)	M	ME9A1JP1
9 1/2 (241)	3 (76)	2 pc exp	230/460	3000	37	(5.7)	Post	2.6	(1.20)	M	ME9J3AP2
11 1/4 (286)	3 (76)	2 pc exp	230/460	2400	24	(3.7)	Post	3.2	(1.50)	M	ME11E3AP2
	5 (127)	2 pc exp	230/460	5100	31	(4.8)	Post	5.2	(2.40)	M	ME11E5AP1

RAPID SHIP

- **RS** - Next day shipment up to 5 pieces
- **M** - Manufacturing lead times

Notes:

All lead units are available with any length Type B, C, E, F or Type H leads. Type B 90° rotation not available as RAPID SHIP.

Nozzle Heaters

Nozzle Heaters	Sheath Materials	Max. Operating Temperatures		Typical Max. Watt Densities		Page
		°F	°C	W/in ²	W/cm ²	
Mineral Insulated (MI)	Stainless steel	1400	760	230	35.6	507
Pre-Coiled Cable	Stainless steel	1200	650	152	23.5	509





Nozzle Heaters

Mineral Insulated (MI) Nozzle Heaters

The mineral insulated (MI) nozzle heater is a high-performance heater that incorporates Watlow's exclusive mineral insulation technology. This material offers much higher thermal conductivity than mica and hard ceramic insulators used in conventional heaters.

A thin layer of the high thermal conductive MI material electrically insulates the element wire from the inside diameter of the heater sheath. A thicker, low thermal conductivity layer backs up the element wire, directing the heat inward toward the heated part. The result is more efficient heat transfer—a performance solution that lowers element wire temperatures and increases heater life.

Performance Capabilities

- Heater operating temperatures up to 1400°F (760°C)
- Watt densities up to 230 W/in² (35.6 W/cm²) are available on small diameter nozzle
- Maximum voltage up to 240V

Features and Benefits

Operating temperatures up to 1400°F (760°C)

- Melts resins such as PEEK®, Teflon®, Ultem® and Zytel® safely

Higher watt densities

- Contributes to faster heat-up and throughput for increased productivity

High thermal conductivity of MI and low mass construction

- Provides an almost instant response to temperature control
- Eliminates thermal lag and temperature overshoot

Stainless steel cover and side fold design

- Resists contamination by overflow of plastic or other free-flowing materials

Permanently attached clamp bars

- Eliminates cumbersome clamping straps to ease installation



Typical Applications

- Extruders
- Blown film dies
- Injection molding machines
- Other cylinder heating applications

**For MI nozzle heater part numbers see next page.
For detailed product and technical data,
see the full MI Band Heater product
section located on pages 493 through 502.**

Nozzle Heaters

Mineral Insulated (MI) Nozzle Heaters

Heater Part Numbers

I.D. in. (mm)	Width		Construction	Volts	Watts	Watt Density		Termination	Approx. Net Wt.		Del.	Part Number
	in. (mm)	(mm)				W/in ²	(W/cm ²)		lbs.	(kg)		
1 (25)	1 (25)	(25)	1 pc	120	150	92	(14)	Type B, C, E, F or H	0.1	(0.05)	RS	MB1A1AN1
	1 (25)	(25)	1 pc	120	100	61	(9)	Type B, C, E, F or H	0.1	(0.05)	RS	MB1A1AN2
	1 (25)	(25)	1 pc	120	200	122	(19)	Type B, C, E, F or H	0.1	(0.05)	RS	MB1A1AN3
	1 (25)	(25)	1 pc	240	200	122	(19)	Type B, C, E, F or H	0.1	(0.05)	RS	MB1A1AN4
	1 1/2 (38)	(38)	1 pc	240	300	106	(16)	Type B, C, E, F or H	0.1	(0.05)	RS	MB1A1JN1
	1 1/2 (38)	(38)	1 pc	120	300	106	(16)	Type B, C, E, F or H	0.1	(0.05)	RS	MB1A1JN2
	1 1/2 (38)	(38)	1 pc	240	200	70	(11)	Type B, C, E, F or H	0.1	(0.05)	RS	MB1A1JN3
	1 1/2 (38)	(38)	1 pc	120	200	70	(11)	Type B, C, E, F or H	0.1	(0.05)	M	MB1A1JN4
1 1/4 (32)	1 (25)	(25)	1 pc	240	250	104	(16)	Type B, C, E, F or H	0.1	(0.05)	RS	MB1E1AN1
	1 (25)	(25)	1 pc	120	250	104	(16)	Type B, C, E, F or H	0.1	(0.05)	RS	MB1E1AN2
	1 (25)	(25)	1 pc	240	300	124	(19)	Type B, C, E, F or H	0.1	(0.05)	M	MB1E1AN3
	1 1/2 (38)	(38)	1 pc	240	350	87	(13)	Type B, C, E, F or H	0.2	(0.09)	RS	MB1E1JN1
	1 1/2 (38)	(38)	1 pc	120	350	87	(13)	Type B, C, E, F or H	0.2	(0.09)	RS	MB1E1JN2
	1 1/2 (38)	(38)	1 pc	240	450	112	(17)	Type B, C, E, F or H	0.2	(0.09)	M	MB1E1JN3
1 1/2 (38)	1 (25)	(25)	1 pc	240	300	93	(14)	Type B, C, E, F or H	0.1	(0.05)	M	MB1J1AN1
	1 (25)	(25)	1 pc	120	300	93	(14)	Type B, C, E, F or H	0.1	(0.05)	RS	MB1J1AN2
	1 (25)	(25)	1 pc	240	200	62	(10)	Type B, C, E, F or H	0.1	(0.05)	RS	MB1J1AN3
	1 (25)	(25)	1 pc	120	200	62	(10)	Type B, C, E, F or H	0.1	(0.05)	RS	MB1J1AN4
	1 (25)	(25)	1 pc	240	400	125	(19)	Type B, C, E, F or H	0.1	(0.05)	RS	MB1J1AN5
	1 1/2 (38)	(38)	1 pc	120	300	58	(9)	Type B, C, E, F or H	0.2	(0.09)	RS	MB1J1JN1
	1 1/2 (38)	(38)	1 pc	240	450	87	(14)	Type B, C, E, F or H	0.2	(0.09)	RS	MB1J1JN2
	1 1/2 (38)	(38)	1 pc	240	300	58	(9.0)	Type B, C, E, F or H	0.2	(0.09)	RS	MB1J1JN3
	1 1/2 (38)	(38)	1 pc	240	600	116	(18)	Type B, C, E, F or H	0.2	(0.09)	M	MB1J1JN4
	1 1/2 (38)	(38)	1 pc	240	300	64	(10)	Post	0.2	(0.09)	M	MB1J1JP4
	1 1/2 (38)	(38)	1 pc	240	450	96	(15)	Post	0.2	(0.09)	RS	MB1J1JP6
	2 (51)	(51)	1 pc	240	450	57	(9)	Type B, C, E, F or H	0.3	(0.14)	RS	MB1J2AN1
	2 (51)	(51)	1 pc	240	300	42	(7)	Type B, C, E, F or H	0.3	(0.14)	RS	MB1J2AN2
	2 (51)	(51)	1 pc	240	900	125	(19)	Type B, C, E, F or H	0.3	(0.14)	RS	MB1J2AN3
	3 (76)	(76)	1 pc	240	500	45	(7)	Type B, C, E, F or H	0.4	(0.18)	RS	MB1J3AN1
	3 (76)	(76)	1 pc	240	350	31	(5)	Type B, C, E, F or H	0.4	(0.18)	M	MB1J3AN2
	3 (76)	(76)	1 pc	240	1000	104	(16)	Type B, C, E, F or H	0.4	(0.18)	M	MB1J3AN3
	1 3/4 (45)	1 3/8 (35)	(35)	1 pc	240	450	83	(13)	36 in. 90° Type B braid w/HD strain relief	0.2	(0.09)	RS
1 1/2 (38)		(38)	1 pc	240	300	47	(7)	Type B, C, E, F or H	0.2	(0.09)	RS	MB1N1JN1
1 1/2 (38)		(38)	1 pc	120	300	50	(8)	Type B, C, E, F or H	0.2	(0.09)	RS	MB1N1JN2
1 1/2 (38)		(38)	1 pc	240	700	110	(17)	Type B, C, E, F or H	0.2	(0.09)	RS	MB1N1JN3
2 (51)		(51)	1 pc	240	750	86	(13)	Type B, C, E, F or H	0.3	(0.14)	M	MB1N2AN1
2 (51)	1 (25)	(25)	1 pc	240	350	73	(11)	Type B, C, E, F or H	0.2	(0.09)	RS	MB2A1AN1
	1 (25)	(25)	1 pc	120	350	73	(11)	Type B, C, E, F or H	0.2	(0.09)	RS	MB2A1AN2
	1 (25)	(25)	1 pc	240	450	94	(15)	Type B, C, E, F or H	0.2	(0.09)	RS	MB2A1AN3
	1 (25)	(25)	1 pc	240	350	79	(12)	36 in. 90° Type B braid w/HD strain relief	0.2	(0.09)	RS	MB2A1AX6B
	1 1/2 (38)	(38)	1 pc	240	400	53	(8)	Type B, C, E, F or H	0.3	(0.14)	RS	MB2A1JN1
	1 1/2 (38)	(38)	1 pc	240	1000	132	(21)	Type B, C, E, F or H	0.3	(0.14)	M	MB2A1JN2
	2 (51)	(51)	1 pc	240	750	73	(11)	Type B, C, E, F or H	0.4	(0.18)	M	MB2A2AN1
	2 (51)	(51)	1 pc	240	1200	125	(19)	Type B, C, E, F or H	0.4	(0.18)	RS	MB2A2AN2
2 1/4 (57)	2 (51)	(51)	1 pc	240	750	63	(10)	120 in. 180° Type B braid w/HD strain relief	0.2	(0.09)	RS	MB2E2AX7
	2 1/2 (64)	(64)	1 pc	240	1000	72	(11)	Type B, C, E, F or H	0.5	(0.23)	RS	MB2E2JN1
2 1/2 (64)	1 (25)	(25)	1 pc	240	400	63	(10)	Type B, C, E, F or H	0.2	(0.09)	RS	MB2J1AN1
	1 1/2 (38)	(38)	1 pc	240	500	50	(8)	Type B, C, E, F or H	0.4	(0.18)	RS	MB2J1JN1

RAPID SHIP

- **RS** - Next day shipment
- **M** - Manufacturing lead times

Nozzle Heaters

Pre-Coiled Cable Nozzle Heaters

The Watlow pre-coiled, cable nozzle heater has been formed into a compact, tightly wound coil to supply 360 degrees of heat. This heater features a 5 in. (127 mm) long, no-heat tail section, which eliminates failures in the adapter area due to overheating.

This cable nozzle heater is manufactured with Watlow's swaged compaction process. This process provides a greater compaction of the MgO insulation than the competitor's rolling process. Compacting MgO insulation into a solid mass results in excellent heat conductivity and high dielectric strength.

Performance Capabilities

- Watt density up to 100 W/in² (15.5 W/cm²)
- Possible operating temperature up to 1200°F (650°C)
(Dependent on type of element wire used)
- 230 and 240V constructions

Features and Benefits

Low-profile construction

- Provides easy installation in the tight environment of multiple-gate molds

No-heat tail section

- Reduces temperature at the adapter eliminating failures due to overheating

Single tail with dual lead

- Occupies less space in the wire raceway

360° circumference heat

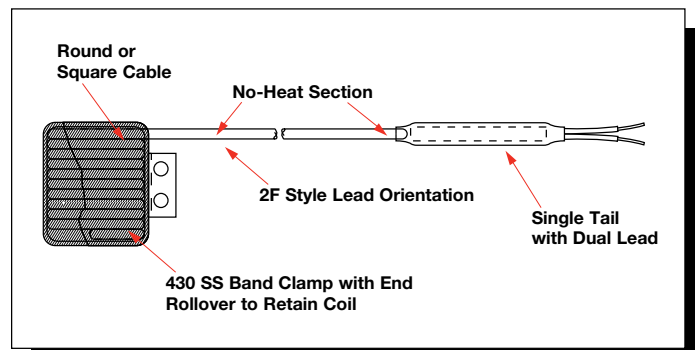
- Provides even heating

Optional externally welded thermocouple to the sheath

- Provides temperature measurement capabilities

Typical Applications

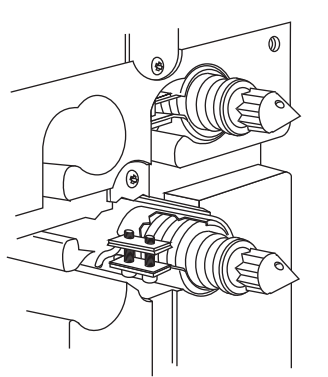
- Plastic injection molding equipment
- Hot runner molds



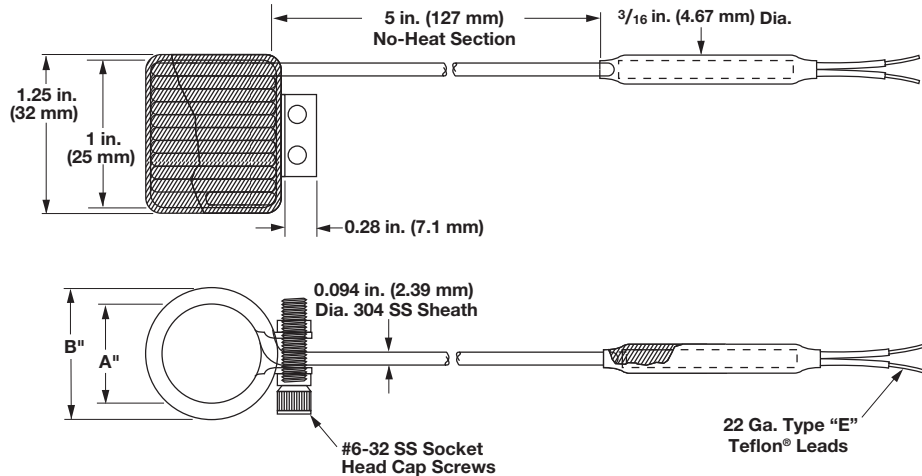
Nozzle Heaters

Pre-Coiled Cable Nozzle Heaters

Technical Data



Coiled Nozzle Heaters Mounted on a 64 Cavity Plastic Injection Mold



Cable Heater Units (Coiled nozzle with clamp strap)

Volts	Watts	Coil I.D. in. (mm)	Clamp O.D. in. (mm)	Clamp Width in. (mm)	No-Heat	Lead Wire (Swaged-in) PTFE Only	Part Number
-------	-------	-----------------------	------------------------	-------------------------	---------	---------------------------------------	-------------

0.094 in. Diameter Round (with ±5% wattage tolerance), no lead protection available.

230	125	0.75 (19.0)	0.98 (24.9)	1.25 (32)	5 in. (127 mm) only	36 in. (914 mm)	94PC30A1A
230	125	0.75 (19.0)	0.98 (24.9)	1.25 (32)		72 in. (1829 mm)	94PC30A1D
230	250	0.75 (19.0)	0.98 (24.9)	1.25 (32)		36 in. (914 mm)	94PC30A2A
230	250	0.75 (19.0)	0.98 (24.9)	1.25 (32)		72 in. (1829 mm)	94PC30A2D
230	250	0.75 (19.0)	0.98 (24.9)	1.25 (32)		36 in. (914 mm)	94PC30A4A ^①

0.102 in. Square Cross-Section (with ±5% wattage tolerance), no lead protection available.

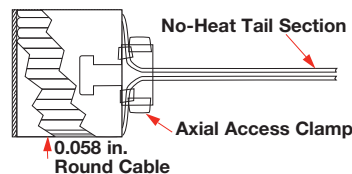
230	125	0.75 (19.0)	1 (25.0)	1.25 (32)	5 in. (127 mm) only	36 in. (914 mm)	102PS28A2B
230	125	0.75 (19.0)	1 (25.0)	1.25 (32)		72 in. (1829 mm)	102PS28A2A
230	250	0.75 (19.0)	1 (25.0)	1.25 (32)		36 in. (914 mm)	102PS28A1B
230	250	0.75 (19.0)	1 (25.0)	1.25 (32)		72 in. (1829 mm)	102PS28A4A ^①
230	250	0.875 (22.2)	1.12 (28.5)	1.25 (32)		36 in. (914 mm)	102PS32A1A

- Manufacturing lead times

^① Units have a 36 in. (914 mm) fiberglass insulated Type J thermocouple externally brazed to the heater sheath O.D.

0.058 in. Diameter Round Mini-Cable Nozzle Heater

(Coiled nozzle with axial clamp)
(with ±5% wattage tolerance)



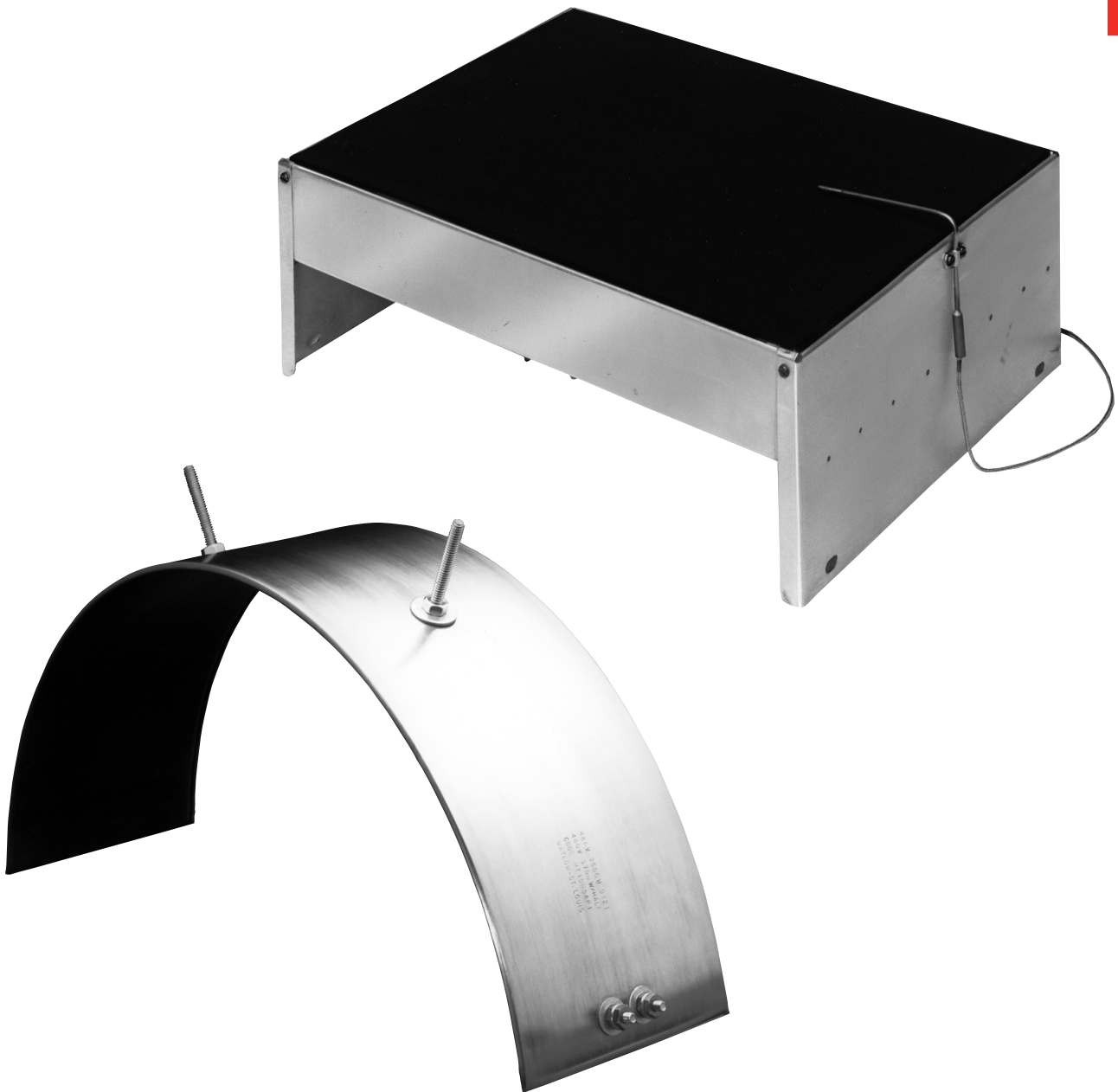
Coil I.D. in. (mm)	Volts	Watts	Lead Length in. (mm)	Clamp Width in. (mm)	Cable Type	Part No.
0.75 (19)	240	268	72 (1829)	1.25 (32)	Round	Z5969
0.75 (19)	240	149	72 (1829)	1.25 (32)	Round	Z5968

- Manufacturing lead times

Note: An optional Type J or Type K thermocouple can be externally brazed to the sheath O.D.

Radiant Heaters

Radiant Heaters	Sheath Materials	Max. Operating Temperatures		Typical Max. Watt Densities		Page
		°F	°C	W/in ²	W/cm ²	
RAYMAX® Panel	Stainless steel/ Alumized steel	2000	1095	30	4.7	513
Mineral Insulated (MI) Band and Strip Emitters	Stainless steel	1300	700	30	4.7	520





Radiant Heaters

RAYMAX® Panel Heaters

The RAYMAX® radiant panel heater product line from Watlow® solves virtually any application requiring radiant heat from contamination-resistant surfaces to fast responding high-temperature panels.

Watlow's engineering staff has the training and expertise required to meet the most complicated application requirements. Technical support includes calculating watt density and temperature requirements and recommending system components such as sensors and controllers.

Performance Capabilities

- Maximum face temperature up to 2000°F (1095°C)
- Maximum watt densities up to 30 W/in² (4.7 W/cm²)

Features and Benefits

Variety of styles

- Match the ideal temperature and watt density requirements of the application

Watlow engineering and application support

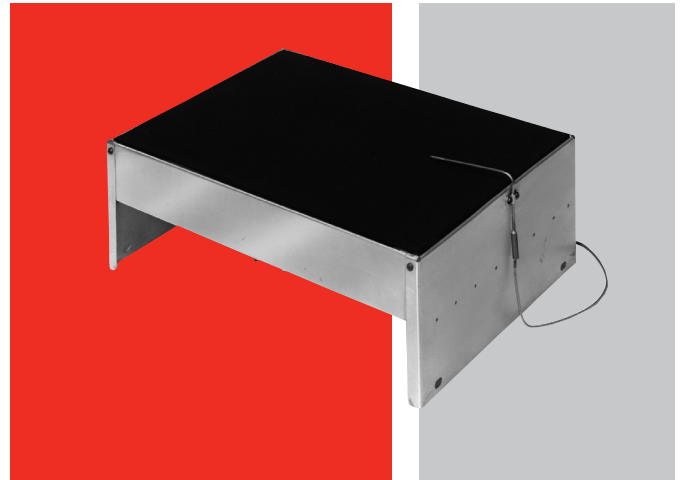
- Assures projects run smoothly

Custom designs

- Adapts to specific needs

Watlow sensors and controllers are compatible with RAYMAX heaters

- Offers a single-source thermal system that is reliable and designed for your application



Typical Applications

- Thermoforming
- Food warming
- Paint and epoxy curing
- Heat treating
- High-temperature furnaces
- Tempering and annealing processes



Caution: Fire Hazard

Radiant heaters must not be operated in the presence of flammable vapors, gases or combustible materials without proper ventilation and safety precautions. Radiant heaters must be properly wired and controlled to comply with all applicable electrical codes.

Radiant Heaters

RAYMAX Panel Heaters

RAYMAX 1220 and 2030

Easy to install and capable of high surface temperatures, the RAYMAX 1220 and 2030 panel heaters are ideal for many process heating applications requiring “hot-face” temperatures above 1000°F (540°C).

Each unit consists of a ceramic fiber heater mounted in a 2½ in. (64 mm) deep sheet metal case providing thermal insulation. The case includes post terminals for electrical connections and a mounting system that can be used with virtually any flat ceramic fiber unit. Since any flat unit heating element configuration can be used—exposed sinuated, embedded coil or foil elements—watt density and temperature capabilities can be tailored to meet a specific radiant application.

Performance Capabilities

- RAYMAX 2030 (uses sinuated or coil elements): temperatures up to 2000°F (1095°C); watt densities up to 30 W/in² (4.7 W/cm²)
- RAYMAX 1220 (uses an etched foil element): temperatures up to 1200°F (650°C); watt densities up to 20 W/in² (3 W/cm²)
- Maximum voltage up to 600V

Features and Benefits

Lightweight, low mass design

- Allows fast response to controllers

Self insulation with 2½ in. (64 mm) thick mounting case

- Provides high efficiency

Thermocouple mounting clamp

- Makes process system control easier

Aluminized steel case

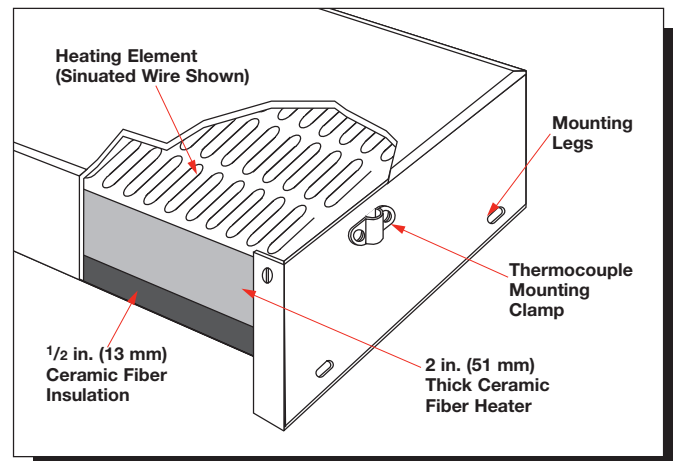
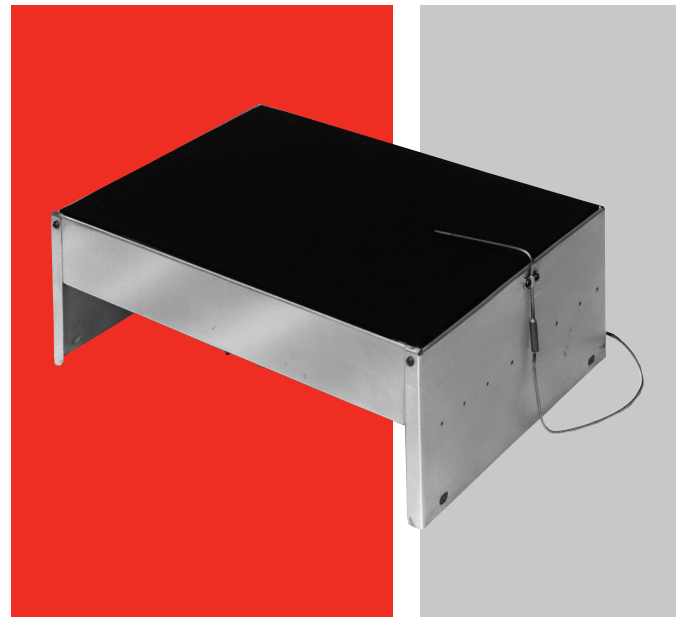
- Handles temperatures up to 1100°F (595°C)

Special hot-face heating patterns

- Provides a design made specifically for an application using an etched foil RAYMAX 1220

Typical Applications

- Conveyor furnaces
- High-temperature vessel heating
- Tempering and annealing processes for glass, wire, ceramics and metals
- Coating, curing and drying of inks, paints, plastics and films



Radiant Heaters

RAYMAX Panel Heaters

RAYMAX 1220 and 2030

Applications and Technical Data

Application Hints

A thermocouple mounting clamp is provided on one end of the case, with holes on both ends for alternate locations. The clamp can be used with $\frac{1}{8}$ in. (3.2 mm) outside diameter sheath thermocouples. The clamp is $\frac{3}{16}$ in. (4.8 mm) high, but can be removed for flush mounting*.

The heater's maximum recommended surface temperature is based on the rating of the ceramic fiber heater module. This can vary from 2000°F (1095°C) at lower watt densities, to higher watt densities at reduced surface temperatures.

Note: Maximum wattages cannot be achieved at the maximum temperatures simultaneously.

* $\frac{13}{16}$ in. (4.8 mm) and $\frac{1}{4}$ in. (6 mm) are available upon request.

Specifications

Weight: Under 6.5 lbs/ft² (31.75 kg/m²)

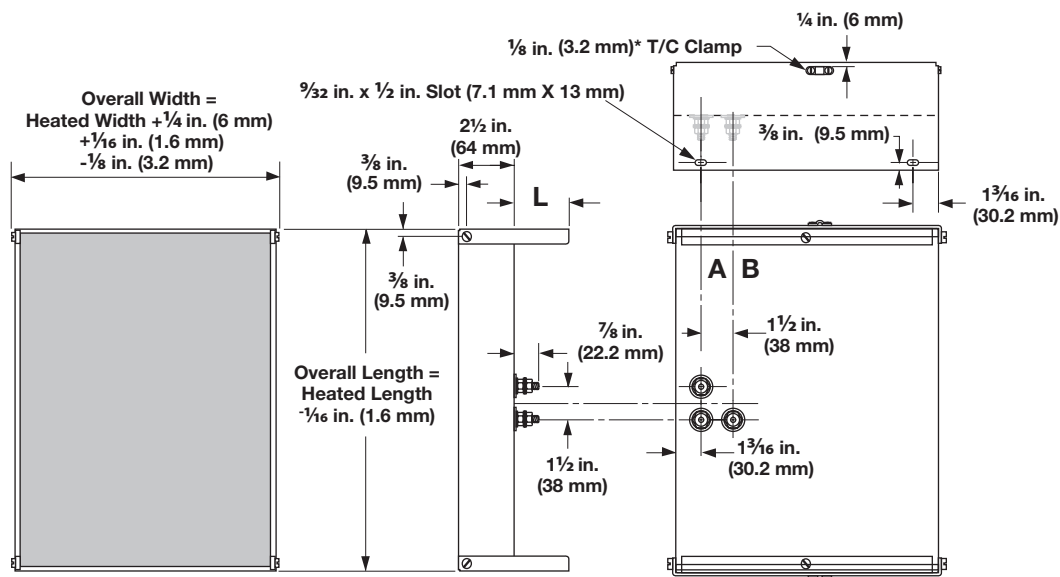
Voltage and Wattage: Ratings are based on the ceramic fiber heater module mounted inside of the case. Up to 600VAC is possible.

Terminals: Terminals are $\frac{1}{4}$ -20 threaded studs. Two terminals plus ground for single-phase, and three terminals plus ground for 3-phase. These are located on the center line of the length unless otherwise specified. Terminals can be located anywhere along lines A and B (see illustration below), but not closer than 2 in. (51 mm) to the case ends.

Mounting Legs: Mounting legs are available in either 1 in. (25 mm) or 3 in. (76 mm) length options. For made-to-order units, mounting legs can be supplied in any incremental length **L** from $\frac{1}{2}$ in. (13 mm) to 3 in. (76 mm). Slots are not provided in legs less than 1 in. (25 mm) long.

Heater Dimensions	Min.	Max.	Increments
Width: in. (mm)	2 (51)	30 (762)	Any
Length: in. (mm)	6 (152)	52 (1320)	Any

Note: Units are $\frac{1}{4}$ in. (6 mm) wider than the nominal size of the ceramic fiber heater. Overall length is equal to heater length, but a thermocouple clamp is not included in the length.



Options

Several options are available with RAYMAX 1220 and 2030 models. Contact your Watlow representative for more information on options.

- Single-phase, non-standard location power terminals
- Terminal box
- Zoning

- Mounting studs and legs
- 3-phase construction
- Thermocouple mounting tubes
- Alternate case materials

Radiant Heaters

RAYMAX Panel Heaters

RAYMAX 1220

Ceramic Fiber with Foil Element

Panel Overall Size ±1/16 in. (1.5 mm)		Panel Nominal Heated Size in. (mm)		Volts	Watts	Watt Density		Approx. Net Wt.		Delivery	Part Number
Width	Length	Width	Length			W/in ²	(W/cm ²)	lbs	(kg)		
4 1/4 (108)	12 (305)	4 (102)	12 (305)	120	950	19.8	(3.1)	2.8	(1.3)	M	VP504A12F
4 1/4 (108)	24 (610)	4 (102)	24 (610)	240	1900	19.8	(3.1)	4.8	(2.2)	M	VP504A24F
8 1/4 (210)	12 (305)	8 (203)	12 (305)	240	1900	19.8	(3.1)	4.5	(2.1)	M	VP508A12F ^①
8 1/4 (210)	24 (610)	8 (203)	24 (610)	240	3800	19.8	(3.1)	7.7	(3.5)	M	VP508A24F

• M - Manufacturing lead times

All units in this table are suitable for use up to 1200°F (650°C) maximum surface temperature.

^① Thermocouple clasp is not included in the length.

RAYMAX 2030

Ceramic Fiber with Sinuated Element

Nominal Heated Width in. (mm)	Nominal Heated Length in. (mm)	Volts	Watts	Watt Density W/in ² (W/cm ²)	Approx. Net Wt. lbs (kg)	Delivery	Part Number
4 (102)	6 (152)	30	500	20.8 (3.2)	1.9 (0.9)	M	VP504A06T
	12 (305)	120	925	19.3 (3.0)	3.1 (1.4)	M	VP504A12T ^①
	18 (457)	120	1400	19.4 (3.0)	4.1 (1.9)	M	VP504A18T ^①
	24 (610)	240	1850	19.5 (3.0)	5.2 (2.4)	M	VP504A24T ^①
	30 (762)	240	2250	19.6 (3.1)	6.3 (2.9)	M	VP504A30T ^①
	36 (914)	240	3200	22.2 (3.4)	7.4 (3.3)	M	VP504A36T ^①
6 (152)	6 (152)	60	650	18.1 (2.8)	2.4 (1.1)	M	VP506A06T ^①
	12 (305)	120	1250	17.4 (2.7)	4.1 (1.9)	M	VP506A12T
	18 (457)	240	2000	18.5 (2.9)	5.8 (2.6)	M	VP506A18T
	24 (610)	120	2500	17.4 (2.7)	7.4 (3.3)	M	VP506A24T
	24 (610)	240	2500	17.4 (2.7)	7.4 (3.3)	M	VP506A24U
	30 (762)	240	3400	18.9 (2.9)	9.0 (4.1)	M	VP506A30T
8 (203)	36 (914)	240	4000	18.5 (2.9)	10.6 (4.8)	M	VP506A36T
	12 (305)	120	1800	18.8 (2.9)	4.7 (2.4)	M	VP508A12T
	18 (457)	240	3000	20.8 (3.2)	7.4 (3.3)	M	VP508A18U ^①
	24 (610)	240	3600	18.8 (2.9)	9.5 (4.3)	M	VP508A24T
	30 (762)	240	5000	20.8 (3.2)	11.7 (5.3)	M	VP508A30T
	36 (914)	240	6000	20.8 (3.2)	13.9 (6.3)	M	VP508A36T
10 (254)	12 (305)	120	2000	16.7 (2.6)	6.3 (2.9)	M	VP510A12T
	18 (457)	120	3600	20.0 (3.1)	9.0 (4.1)	M	VP510A18T
	24 (610)	240	4500	17.9 (2.8)	11.7 (5.3)	M	VP510A24T
	30 (762)	240	6000	20.0 (3.1)	14.4 (6.5)	M	VP510A30T
	36 (914)	240	7200	19.4 (3.0)	17.1 (7.8)	M	VP510A36T

CONTINUED

• M - Manufacturing lead times

All units in this table are suitable for use up to 1800°F (982°C) maximum surface temperature.

^①Vee sinuated

Radiant Heaters

RAYMAX Panel Heaters

RAYMAX 2030 (Continued)

Ceramic Fiber with Sinuated Element

Nominal Heated Width		Nominal Heated Length		Volts	Watts	Watt Density		Approx. Net Wt.		Delivery	Part Number
in.	(mm)	in.	(mm)			W/in ²	(W/cm ²)	lbs	(kg)		
12	(305)	12	(305)	120	2500	17.4	(2.7)	7.4	(3.3)	M	VP512A12T
		12	(305)	240	2500	17.4	(2.7)	7.4	(3.3)	M	VP512A12U ^①
		18	(457)	240	4000	18.5	(2.9)	10.6	(4.8)	M	VP512A18T
		24	(610)	240	6000	20.8	(3.2)	13.9	(6.3)	M	VP512A24T
		30	(762)	240	7200	20.0	(3.1)	17.1	(7.8)	M	VP512A30T
		36	(914)	240	8400	19.4	(3.0)	20.3	(9.2)	M	VP512A36T ^①
14	(356)	12	(305)	240	3500	20.8	(3.2)	8.5	(3.8)	M	VP514A12T
		18	(457)	240	4900	19.4	(3.0)	12.2	(5.5)	M	VP514A18T
		24	(610)	240	7000	20.8	(3.2)	16.0	(7.3)	M	VP514A24T
		30	(762)	240	8400	20.0	(3.1)	19.8	(9.0)	M	VP514A30T ^①
		36	(914)	240/240	9800	19.4	(3.0)	23.6	(10.7)	M	VP514A36T
16	(406)	12	(305)	240	3600	18.8	(2.9)	9.5	(4.3)	M	VP516A12T
		18	(457)	240	5700	19.8	(3.1)	13.9	(6.3)	M	VP516A18T
		24	(610)	240	7100	18.5	(2.9)	18.2	(8.2)	M	VP516A24T
		30	(762)	240/240	9600	20.0	(3.1)	22.5	(10.2)	M	VP516A30T
		36	(914)	240/240	11500	20.0	(3.1)	26.8	(12.2)	M	VP516A36T

• M - Manufacturing lead times

All units in this table are suitable for use up to 1800°F (982°C) maximum surface temperature.

^①Vee sinuated

Part Number

①	②	③	④	⑤	⑥	⑦	⑧	⑨	⑩	⑪	⑫	⑬	⑭
V	P	5	0	8	A	1	2	T	Modification Options	0	0	0	0

① ② ③ ④ ⑤ ⑥ ⑦ ⑧ ⑨	Base Part Number
VP508A12T	

⑩	Modification Options
1 =	3 in. (76 mm) leg height and terminal box
4 =	1/4 / 20 mounting studs
5 =	1/4 / 20 mounting studs and terminal box
M =	1 in. (25 mm) leg height
R =	1 in. (25 mm) leg height and terminal box
W =	Terminal box in standard location
Y =	3 in. (76 mm) leg height

Radiant Heaters

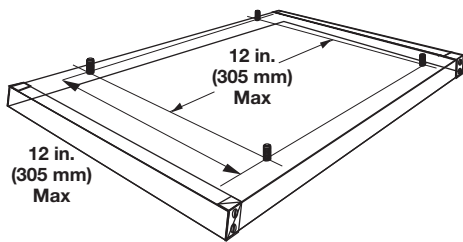
RAYMAX Panel Heaters

Mounting Accessories

Mounting Studs

Standard $1/4$ -20 x $1\frac{1}{2}$ in. (38 mm) or (M6-1 x 40) steel studs are welded to the case. For best support, studs should be approximately located on 12 in. (305 mm) centers. Contact your Watlow representative for exact locations on specific heaters.

Available with RAYMAX 1220 and 2030.

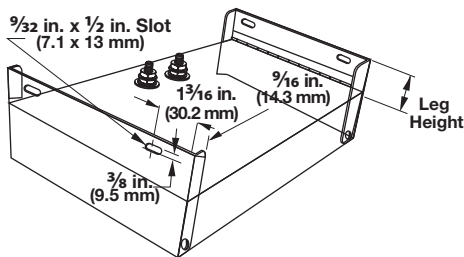


Mounting Legs

Mounting legs are extensions of the steel end caps with mounting slots for bolting directly to field support members. There is no extra charge for legs. They can be supplied in half inch increments from 0.5 in. (13 mm) to 3 in. (76 mm). Slots are not provided in legs less than 1 in. (25 mm) long.

For panels over 24 in. (610 mm) long, mounting studs are recommended for the best panel support.

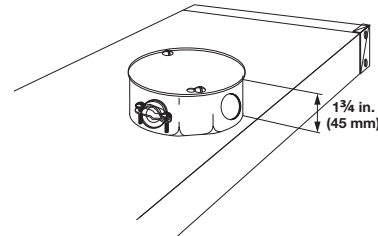
Available with RAYMAX 1220 and 2030



Application note: Allow for some thermal expansion of the heater case during operation. An expansion of up to one percent can occur when the case reaches its normal maximum limit of 1100°F (595°C). If the equipment has mounting screws to connect to the slots in the mounting legs, allow for a small amount of extra length. If mounting holes are used to interface with the mounting studs on the back of the RAYMAX case, make sure that the holes are oversized. Use washers and avoid overtightening the screws.

Terminal Accessories

Terminal Box

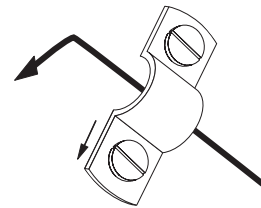


To protect electrical connections, a standard NEMA octagon terminal box is available. The standard size is $3\frac{9}{16} \times 3\frac{9}{16} \times 1\frac{1}{2}$ in. (90.5 x 90.5 x 38 mm) with knockouts for $1/2$ in. (13 mm) conduit. Other NEMA sizes are available as an extended capability.

Care should be taken to use lead wire capable of withstanding the ambient temperatures.

Available with RAYMAX 1220 and 2030.

Thermocouple Clamps



A thermocouple mounting clamp can be provided on the end of the heater case. The clamp is suitable for $1/8$ in. (3.2 mm) and $1/4$ in. (6 mm) outside diameter sheath thermocouples bent to 90° so that the sensing tip is just above and lightly touching the hot face at an element location.

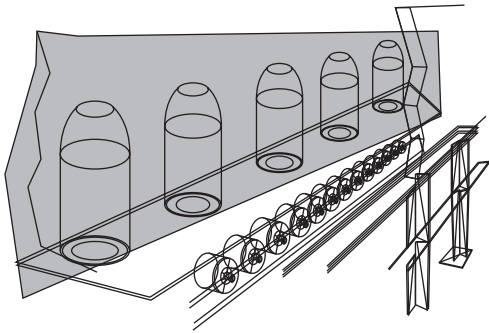
Available with RAYMAX 1220 and 2030.

Radiant Heaters

**EXTENDED
CAPABILITY**

Extended Capability For RAYMAX Panel Heaters

Zoning

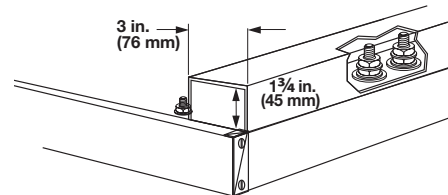


Watt densities can be varied across the entire width of RAYMAX heaters. If desired, each zone can have an individually controlled power supply.

Zoning can be very valuable when part of the product requires more heat, or when it must compensate for heat losses at the edges. Separately turning off part of the heated width enables the heater to adjust for various widths of material.

Available as an extended capability for RAYMAX 1220 and 2030.

Wiring Raceway



A steel raceway provides electrical and physical protection for all terminal connections. This can be particularly useful for multi-zone panels.

Available as an extended capability for RAYMAX 1220 and 2030.

Radiant Heaters

EXTENDED
CAPABILITY

Extended Capabilities For Mineral Insulated (MI) Band and Strip Emitters

These heaters are constructed using Watlow's exclusive mineral insulation, which features high thermal conductivity. The band and strip emitters are constructed of rugged stainless steel sheath and a high emissivity coating.

Performance Capabilities

- Maximum operating temperature up to 1300°F (704°C)
- Maximum watt densities up to 30 W/in² (4.7 W/cm²)

Sizes

Strip Emitters

Width: 2 in. (51 mm), 3 in. (76 mm)
Length: 6 in. (152 mm) minimum,
31 in. (787 mm) maximum

Band Emitters

Width: 1 in. (25 mm), 2 in. (51 mm),
3 in. (76 mm) maximum

- Segment length: 6 in. (152 mm) minimum to 42 in. (1067 mm) maximum
- Contact your Watlow representative for partial arcs up to full 360° coverage
- High emissivity coating on inside is standard. For high emissivity coating on the outside, contact your Watlow representative.
- Post terminals are standard. High-temperature leads are available on bands only.

Options

- Mounting studs
- Mounting clips for 3 in. (76 mm) wide emitter strips, part #MM6063
- Thermocouple welded to sheath
- Thermocouple pocket welded to sheath

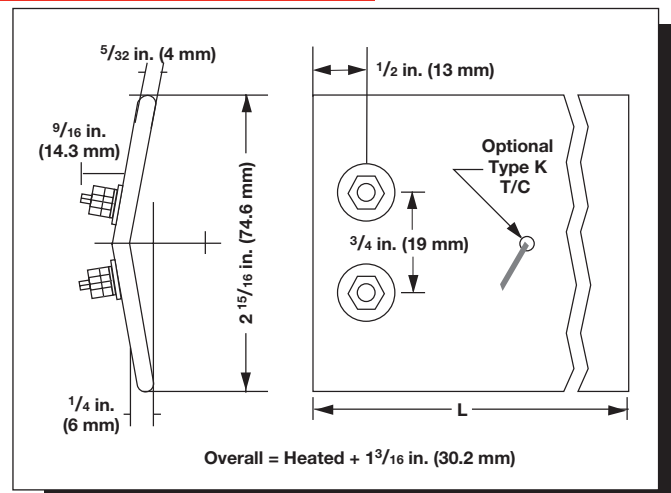
Features and Benefits

Exclusive mineral insulation

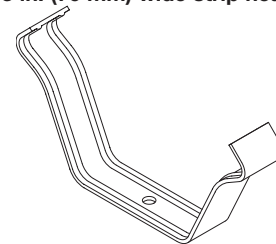
- Combines dielectric strength and superior thermal conductivity
- Transfers heat rapidly to the sheath

High thermal conductivity of MI

- Provides an almost instant response to temperature control
- Eliminates thermal lag and temperature overshoot associated with other heaters



Mounting Clip (Part # MM6063)
(For 3 in. (76 mm) wide strip heater)



Typical Applications

- Heating rotating drums and rollers
- Tube ovens
- Small spot heating
- Heat shrinking and curing wire coatings
- Heat laminating wheels

Thermostats and Accessories

Thermostats and Accessories	Description	Page
ST10 and ST207	Pre-set thermostats used with flexible heaters are available mounted to the heater or as a separate device used to control process.	531
Bulb and Capillary	Regulates temperature in non-critical applications within a preset range and cycles heaters on and off.	534
Protective Wells	Provides protection for thermostat bulbs and other sensors while directly immersed in process fluids.	539





Thermostats and Accessories

ST10 and ST207

Temperature Sensors

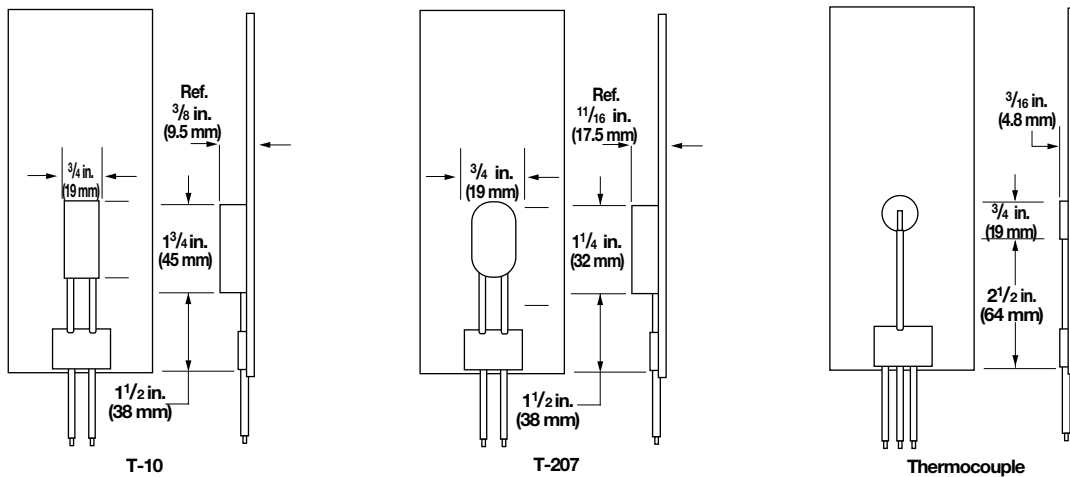
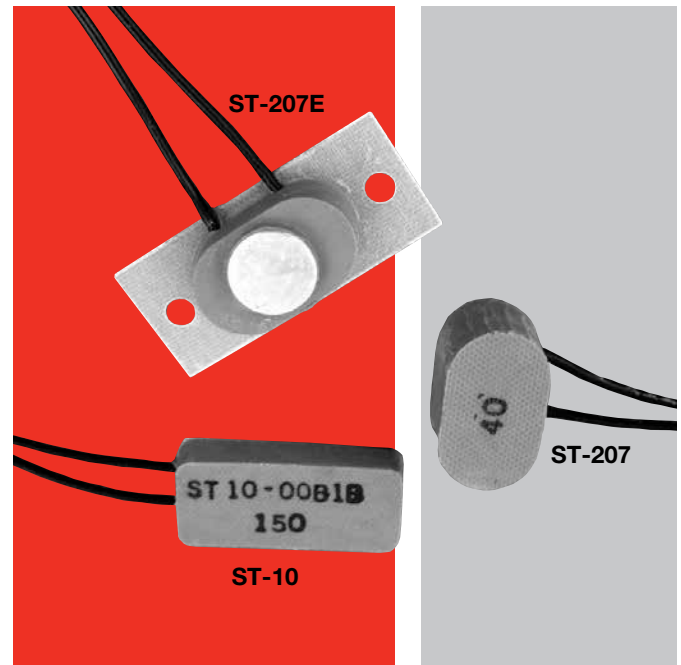
Watlow® offers several styles of sensors for use with flexible heaters. These sensors are available as preset or adjustable thermostats, thermocouples, thermistors, RTDs or thermal fuses. They can be integrally mounted (encapsulated in silicone rubber) to sense the temperature of either the part or the heater sheath. The thermostats can also be ordered separate from the heater, allowing direct control of your process temperature, if desired.

Pre-Set Thermostats

Several styles of non-adjustable, pre-set thermostats are available from Watlow. Thermostats separate from the heater are encapsulated in silicone rubber, and are available with standard 12 in. (305 mm) leads unless otherwise specified.

Thermocouples, thermistors, RTDs and thermal fuses are usually mounted to the heater under a vulcanized protective cap of silicone rubber sheath material. This drawing shows a typical mounting style for a thermocouple.

Note: Precise part temperature control with preset thermostats requires prototyping and field testing.



Pre-Set Thermostats (Non-Adjustable)

Thermostat Model	Maximum Watts	Volts AC	Temperature Settings Available °F (°C)	Agency Approvals		
				UR	cUR	VDE
T-10	600/960	120/240	125-300±10 (50-149±5)	yes	yes	yes
T-207	1500	120/240	40/55±8 (4/13±4.4)	yes	yes	yes
	1500	120/240	60/75±8 (16/24±4.4)	yes	yes	yes
	1500	120/240	95/110±8 (35/43±4.4)	yes	yes	yes
	1500	120/240	145/160±8 (63/71±4.4)	yes	yes	yes

Notes:

- When ordering a pre-set thermostat separate from the heater, simply add the prefix **S** to the model number. (Example: ST-10) See next page.
- Snap action preset temperatures on the T-207 are close/open settings.

- T-10 thermostats are manufactured for specific preset temperatures. Available in 25°F increments.
- Other temperature ranges and voltages are available on special order. Minimum quantities apply, contact your Watlow representative before ordering.

Thermostats and Accessories

ST10 and ST207

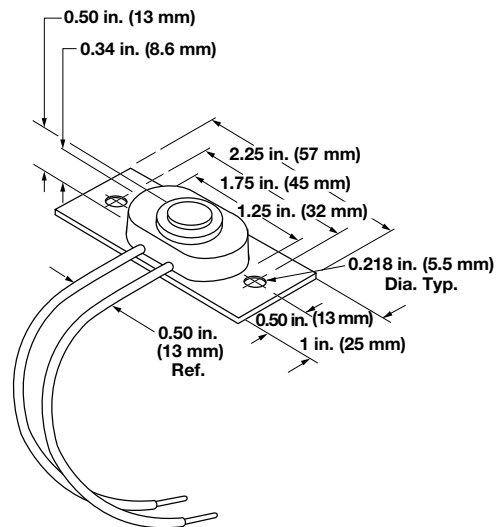
Temperature Sensors (Continued)

Separate Heater Accessories Available — Pre-Set Thermostats Separate From Heater

These are offered to allow direct control of your process temperature, so you're not limited to controlling only the heater temperature when using catalog heaters. Pre-set thermostats are encapsulated in silicone rubber with standard 12 inch leads.

The same temperature ranges, ratings and sizes are available on these thermostats. When ordering, add "S" prefix to the model number to indicate "separate" item. (Examples: ST-10 and ST-207)

Standard leads are 12 in. (305 mm) 18 gauge UL® 1180 black leads.



Note: For direct control of air temperature as is required in enclosure heating applications, specify thermostat model number ST-207E. This is a modified ST-207 mounted on $\frac{1}{32}$ inch thick G-10 circuit board with the thermostat's metal cap exposed to sense air temperature.

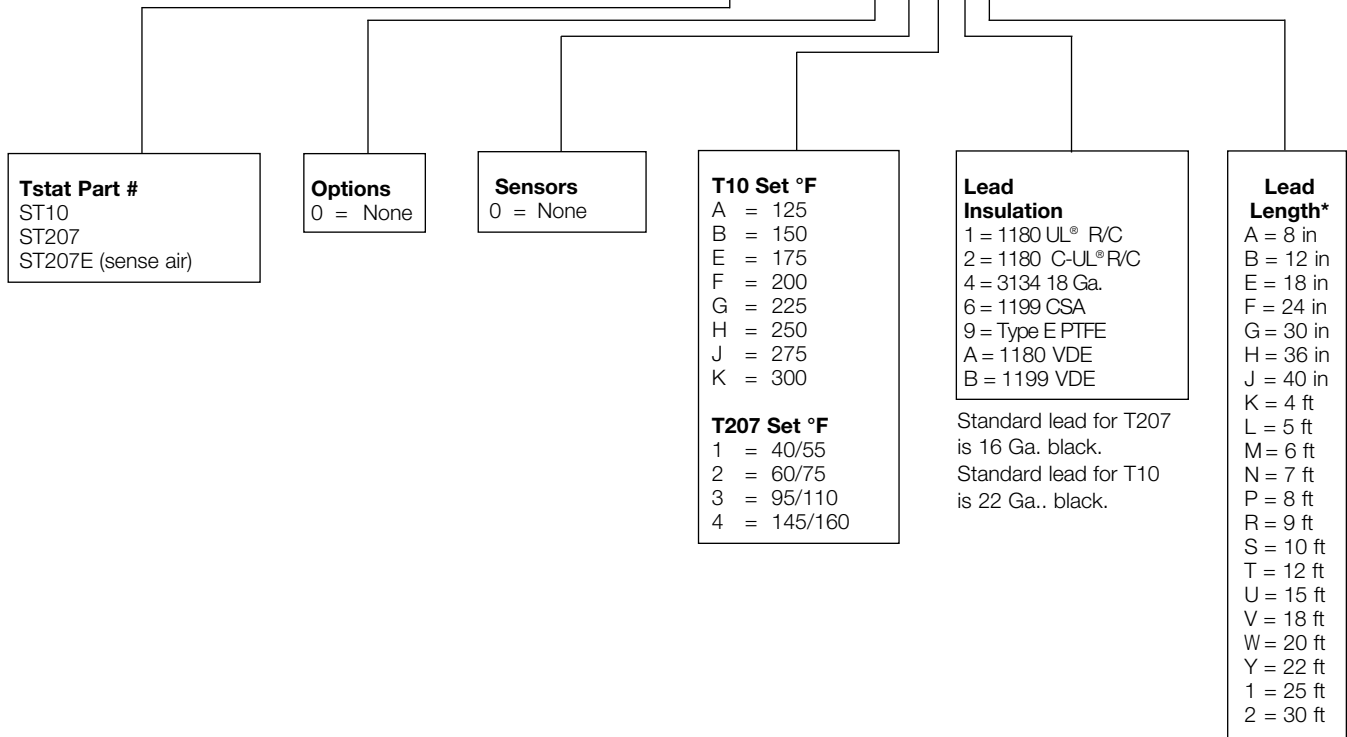
Thermostats and Accessories

ST10 and ST207

Thermostat Ordering Information

To order, complete the part number with the information below:

Tstat Part #- 0 0



* Customer specified length must be noted in inches when ordering.

Thermostats and Accessories

Bulb and Capillary

Thermostats regulate temperature in non-critical applications. They sense temperature, within a preset range and cycle heaters on and off to maintain the set point.

Thermostats may be mounted inside a terminal enclosure or remote mounted (separate from the heater assembly). If using a remote mounted thermostat, be sure to order the sufficient capillary tube length to permit installation.

All Watlow thermostats are normally closed circuit and either single-pole, single-throw (SPST) or double pole, single-throw (DPST). They can be used with or without an enclosure.

Thermostat selection should be based on temperature range, capillary tube length and sensor bulb size (diameter/length).

Remote Mount Thermostat Assemblies

Remote mounted thermostat assemblies can be supplied with the following enclosures:

- General purpose
- Moisture resistant
- Dust resistant

Pilot Light

An optional pilot light gives visual indication whether the power supplied to the heating element(s) is on or off.

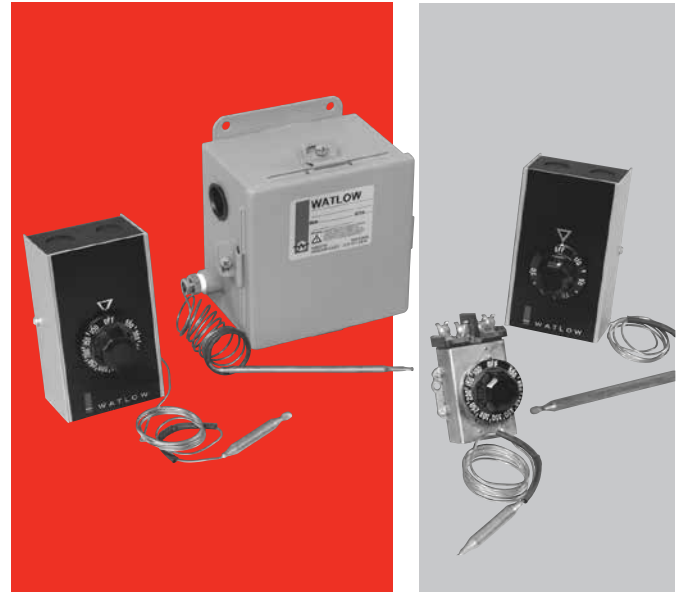
To order, please specify suffix part **PL11**.

Thermostat Conversion Kits

Kits are available to convert a heater's general purpose terminal enclosure to accept either a single- or double-pole thermostat. The kit contains all the necessary parts to change out the existing terminal enclosure cover and mount the thermostat inside. These are **hardware and wiring kits** only.

Single-pole conversion kit covers 1, 1¹/₄, 2 and 2¹/₂ inch NPT screw plugs. To order, specify part **K492-000-35-(thermostat type)**.

Double-pole conversion kit covers 2 and 2¹/₂ inch NPT screw plugs. To order, specify part **K492-000-34-(thermostat type)**.



Thermostat Dial Scales

Thermostats ship standard with Fahrenheit (°F) dial scales. If your application requires a Celsius (°C) scale, order the optional dial face.

All new single-pole thermostats, as well as dual-pole thermostats (4, 5A and 7A) will be provided with dual scale (both °C and °F). All other dual pole thermostats ship standard with Fahrenheit (°F) scales. If your application requires a Celsius (°C) scale, order optional dial face.

To order, specify code **CD**. Scale will match thermostat temperature range.

Warning

Do not use thermostats for high-limit sheath protection. Thermostats fail in a closed circuit mode and will not cut power to the heaters. Limit control should be provided by an isolated, redundant sensor and control system of the appropriate type, design and installation.

Thermostats are pre calibrated at the factory. No adjustment, other than selecting the desired operating temperature, is required. All wiring should be performed by qualified personnel and comply with the National Electrical Code and other applicable state and local codes.

To help assure the correct thermostat is selected as well as installed and wired properly, here are a few helpful hints. Schematics are provided for interconnecting thermostats to single- and three-phase heaters.

Thermostats and Accessories

Bulb and Capillary

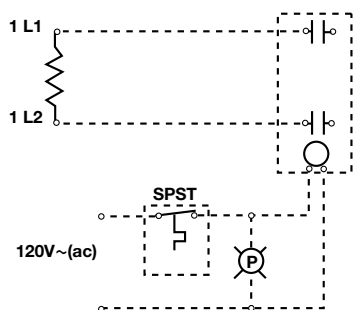
Technical Information

Application Hints

- Locate the thermostat where ambient temperatures do not exceed 150°F (65°C).
- Mount the thermostat in an enclosure that is compatible with the surrounding environment.
- Immerse the entire sensing bulb in the media being heated.
- Make sure the sensing bulb is mounted away from the heating element(s) to negate any undue influence on the sensing bulb's temperature "reading."
- Keep the capillary tube insulated from electrical connections.
- Do not use a thermostat for high-accuracy temperature sensing. Use an appropriate thermocouple, RTD or thermistor and temperature control.
- Do not use thermostats as a primary power switching device. Use a disconnect switch or circuit breaker to cut power when servicing.
- Interconnect the thermostat to the heater only if:
 - The heater has one circuit
 - The heater's ampere draw is lower than the thermostat's rated ampacity at prescribed voltage.
- Interconnect either a single- or double-pole thermostat with a single-phase heater when the supply voltage does not exceed 250VAC for SPST or 480VAC for DPST.
- Only interconnect three-phase delta heaters to DPST thermostats.
- Use a single-pole thermostat for pilot duty where the thermostat is not interconnected with the heater, or heater exceeds the volt/amp rating.

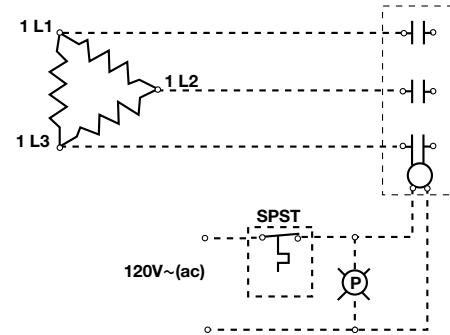
Pilot Duty Wiring

SPST, 1-phase

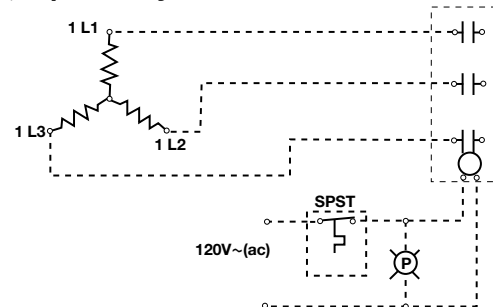


Pilot Duty Wiring (Continued)

SPST, 3-phase delta

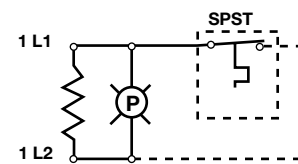


SPST, 3-phase wye

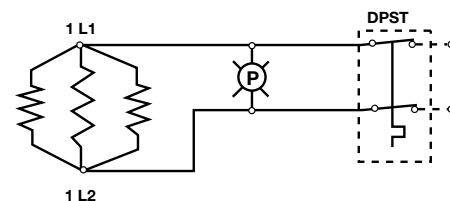


Interconnected Wiring

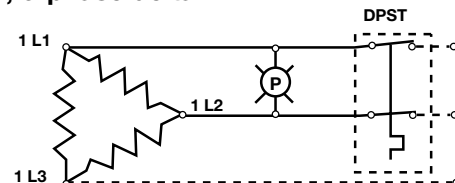
SPST, 1-phase



DPST, 1-phase



DPST, 3-phase delta



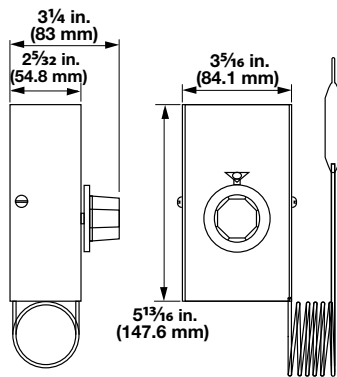
Thermostats and Accessories

Bulb and Capillary

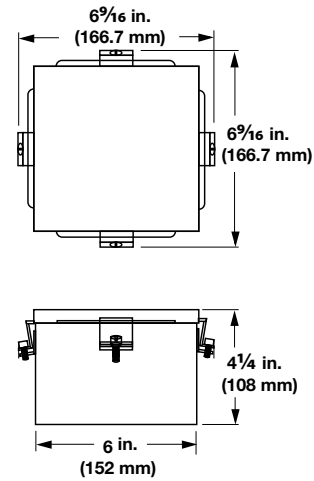
Technical Information (Continued)

Thermostats with Enclosures

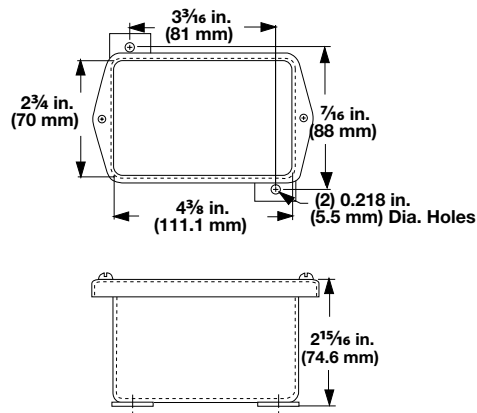
General Purpose Single- and Double-Pole



Moisture Resistant Double-Pole



Moisture Resistant Single-Pole



Cross-Reference For Replacement Thermostat	Order With Below Part Number
202-0-96-2 (small knob)	202-0-21-2MB
202-0-96-4	2
202-0-96-5	2A
202-0-96-3	3
202-0-94-1 (small knob)	202-0-21-8M
202-0-96-6	3A
202-0-4-2	4
202-0-4-17	5A
202-0-4-16	7A
202-0-3-1	8
202-0-3-3	9
202-0-29-2	11
202-0-41-2 (small knob)	12A

If you only have the thermostat part number, use the cross-reference chart above.

Thermostats and Accessories

Bulb and Capillary

Technical Information (Continued)

Thermostats

Control Mode	Type	Temperature Range		Differential °F (°C)	Ampacity @ Line Voltage				Bulb Diameter in. (mm)	Bulb Length in. (mm)	Capillary Length in. (mm)	Terminal Type	Part No.	Est. Net Wt.	
		°F	(°C)		120	240	277	480						lbs	(kg)
On-off Temp Control	Single-Pole	30-250	(0-120)	13 (7)	25	25	22	—	0.250 (6)	3 ¹ / ₂ (89)	18 (455)	#12 AWG	2	1	(0.4)
		30-250	(0-120)	13 (7)	25	25	22	—	0.250 (6)	3 ¹ / ₄ (85)	84 (2135)	Stranded	2A	1	(0.4)
	Single-Throw (SPST)	175-550	(80-290)	23 (13)	25	25	22	—	0.250 (6)	2 ³ / ₄ (70)	18 (455)	Leads or	3	1	(0.4)
		175-550	(80-290)	23 (13)	25	25	22	—	0.250 (6)	2 ³ / ₄ (70)	84 (2135)	#8-32 screw lug	3A	1	(0.4)
	Double-Pole	60-160	(15-70)	19 (10)	30	30	30	20	0.250 (6)	4 ³ / ₈ (110)	14 (355)	#8-32	12A	1	(0.4)
		30-110	(0-40)	12 (7)	30	30	30	10	0.375 (10)	6 ⁹ / ₁₆ (167)	36 (915)	Screw Lug	4	2	(0.9)
	60-250	(15-120)	12 (7)	30	30	30	10	0.250 (6)	6 ¹ / ₂ (165)	48 (1220)	5A		2	(0.9)	
Single-Throw (DPST)	100-550	(40-290)	22 (12)	30	30	30	10	0.250 (6)	7 ¹ / ₁₆ (179)	48 (1220)	7A		2	(0.9)	
On-off with	(DPST)	60-250	(15-120)	12 (7)	30	30	30	—	0.250 (6)	6 ¹ / ₂ (165)	48 (1220)	#10-32	8	2	(0.9)
		100-550	(40-290)	22 (12)	30	30	30	—	0.188 (5)	12 (305)	48 (1220)	Screw Lug	9	2	(0.9)
Manual Reset	(SPST)	350 [Ⓢ]	(180)	—	30	30	20	—	0.250 (6)	3 ¹ / ₂ (90)	36 (915)	#10-32	11	1	(0.4)
											Screw Lug				

RAPID SHIP

• **RS** - Next day shipment up to 15 pieces

[Ⓢ] Fixed temperature rating

Note: All thermostats certified by UL[®] and/or CSA for use in the United States and Canada.

Thermostats and Accessories

Bulb and Capillary

Ordering Information

Part Number

Thermostat Part Number	Enclosure (Remote Mount Only)	Options

Thermostat Part Number

Note: See chart on previous page.

Enclosure (Remote Mount Only)

S =	General purpose
W =	Moisture resistant
D =	Dust resistant

Options

CD =	Celsius dial scale (Double pole only)
CB =	Chrome bezel (Double pole only)
LTB =	Liquid-tight brass fitting ($\frac{3}{8}$ in. - 18 NPT)
PL11 =	Pilot light, 120V only available on moisture/explosion resistant and explosion resistant enclosures

Example Part Number: 2 W LTB

Thermostats and Accessories

Protective Wells

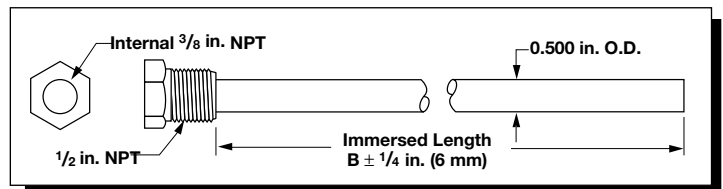
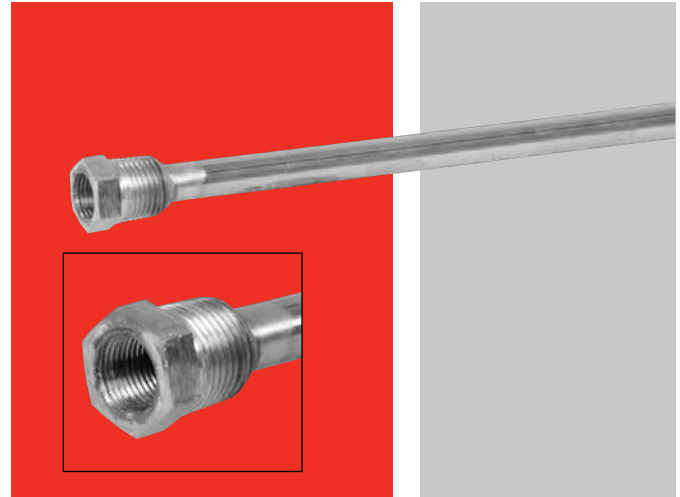
Protective wells isolate and protect thermostat bulbs and other temperature sensors (thermocouples, RTDs or thermistors). They allow inserting the sensing element sufficiently into the media being heated without being damaged.

Steel or stainless steel protective wells are available in three lengths. They are supplied with 1/2 inch NPT mounting and 3/8 inch-18 NPT internal thread for mating to a liquid-tight bushing (LTB).

To order, specify the appropriate part number from the table below.

Protective Wells

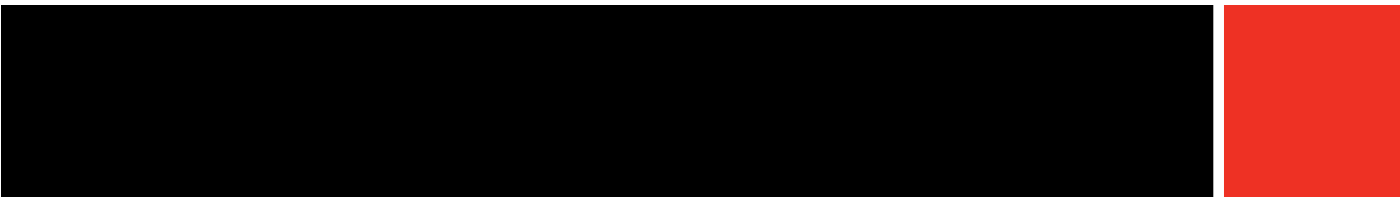
Plug and Thermowell Material	Immersed B Dimension		Part Number	Est. Ship. Wt.	
	in.	(mm)		lb	(kg)
Steel	12	(305)	PWS12	1	(0.5)
	24	(610)	PWS24	2	(1.0)
	36	(915)	PWS36	2	(1.0)
Stainless Steel	12	(305)	PWSS12	1	(0.5)
	24	(610)	PWSS24	2	(1.0)
	36	(915)	PWSS36	2	(1.0)





Reference Data

Reference Data	
Power Calculations	543
Equations	549
Wattage Requirements	551
Tubular Elements and Assembly Selection Guide	553



Reference Data

Power Calculations

Calculations for Required Heat Energy

The total heat energy (kWH or BTU) required to satisfy the system needs will be either of the two values shown below depending on which calculated result is larger.

A. Heat required for start up

B. Heat required to maintain the desired temperature

The power required (kW) will be the heat energy value (kWH) divided by the required start up or working cycle time. The kW rating of the heater will be the greater of these values plus a safety factor.

The calculation of start up and operating requirements consist of several distinct parts that are best handled separately. However, a short method can also be used for a quick estimate of heat energy required. Both methods are defined and then evaluated using the following formulas and methods:

Short Method

Start-up watts = $A + C + \frac{2}{3} L + \text{safety factor}$

Operating watts = $B + D + L + \text{safety factor}$

Safety factor is normally 10 to 35 percent based on application.

A = Watts required to raise the temperature of material and equipment to the operating point, within the time desired

B = Watts required to maintain temperature of the material during the working cycle

C = Watts required to melt or vaporize load material during start-up period

D = Watts required to melt or vaporize load material during working cycle

L = Watts lost from surfaces by:

- Conduction-use equation to the right
- Radiation-use heat loss curves
- Convection-use heat loss curves

Equation for A and B (Absorbed watts-raising temperature)

$$\frac{\text{lbs} \times C_p \times \text{°F}}{\text{hrs} \times 3.412}$$

- lbs = weight of material
- C_p = specific heat of material (BTU/lb x °F)
- °F = temperature rise
- hrs = start-up or cycle time

Equation for C and D (Absorbed watts-melting or vaporizing)

$$\frac{\text{lbs} \times \text{BTU/lb}}{\text{hrs} \times 3.412}$$

- lbs = weight of material
- BTU/lb = heat of fusion or vaporization
- hrs = start-up or cycle time

Equation for L (Lost conducted watts)

$$\frac{k \times \text{ft}^2 \times \text{°F}}{\text{in.} \times 3.412}$$

- k = thermal conductivity (BTU x in./[ft² x °F x hr])
- ft² = surface area
- °F = temperature differential to ambient
- in. = thickness of material (inches)

Reference Data

Power Calculations

Conduction and Convection Heating

Absorbed Energy, Heat Required to Raise the Temperature of a Material

Because substances all heat differently, different amounts of heat are required in making a temperature change.

The specific heat capacity of a substance is the quantity of heat needed to raise the temperature of a unit quantity of the substance by one degree. Calling the amount of heat added **Q**, which will cause a change in temperature ΔT to a weight of substance **W**, at a specific heat of material **C_p**, then $Q = w \times C_p \times \Delta T$.

Since all calculations are in watts, an additional conversion of 3.412 BTU = 1 Wh is introduced yielding:

Equation 1

$$Q_A \text{ or } Q_B = \frac{w \times C_p \times \Delta T}{3.412}$$

Q_A = heat required to raise temperature of materials during heat-up (Wh)

Q_B = heat required to raise temperature of materials processed in working cycle (Wh)

w = weight of material (lb)

C_p = specific heat of material (BTU/lb x °F)

ΔT = temperature rise of material ($T_{\text{Final}} - T_{\text{Initial}}$)(°F)

This equation should be applied to all materials absorbing heat in the application. Heated media, work being processed, vessels, racks, belts and ventilation air should be included.

Example: How much heat energy is needed to change the temperature of 50 lbs of copper from 10 to 70°F?

$$\begin{aligned} Q &= w \times C_p \times \Delta T \\ &= \frac{(50 \text{ lbs}) \times (0.10 \text{ BTU}/[\text{lb} \times \text{°F}]) \times (60\text{°F})}{3.412} = 88 \text{ (Wh)} \end{aligned}$$

Heat Required to Melt or Vaporize a Material

In considering adding heat to a substance, it is also necessary to anticipate changes in state that might occur during this heating such as melting and vaporizing. The heat needed to melt a material is known as the latent heat of fusion and represented by **H_f**. Another state change is involved in vaporization and condensation. The latent heat of vaporization **H_v** of the substance is the energy required to change a substance from a liquid to a vapor. This same amount of energy is released as the vapor condenses back to a liquid.

Equation 2

$$Q_C \text{ or } Q_D = \frac{w \times H_f}{3.412} \quad \text{OR} \quad \frac{w \times H_v}{3.412}$$

Q_C = heat required to melt/vaporize materials during heat-up (Wh)

Q_D = heat required to melt/vaporize materials processed in working cycle (Wh)

w = weight of material (lb)

H_f = latent heat of fusion (BTU/lb)

H_v = latent heat of vaporization (BTU/lb)

Example: How much energy is required to melt 50 lbs of lead?

$$\begin{aligned} Q &= w \times H_f \\ &= \frac{(50 \text{ lbs}) \times (9.8 \text{ BTU}/\text{lb})}{3.412 \text{ BTU}/(\text{Wh})} = 144 \text{ (Wh)} \end{aligned}$$

Changing state (melting and vaporizing) is a constant temperature process. The **C_p** value (from Equation 1) of a material also changes with a change in state. Separate calculations are thus required using Equation 1 for the material below and above the phase change temperature.

Reference Data

Power Calculations

Conduction and Convection Heating

Conduction Heat Losses

Heat transfer by conduction is the contact exchange of heat from one body at a higher temperature to another body at a lower temperature, or between portions of the same body at different temperatures.

Equation 3A—Heat Required to Replace Conduction Losses

$$Q_{L1} = \frac{k \times A \times \Delta T \times t_e}{3.412 \times L}$$

Q_{L1} = conduction heat losses (Wh)

k = thermal conductivity
(BTU x in./[ft² x °F x hour])

A = heat transfer surface area (ft²)

L = thickness of material (in.)

ΔT = temperature difference across material
($T_2 - T_1$) °F

t_e = exposure time (hr)

This expression can be used to calculate losses through insulated walls of containers or other plane surfaces where the temperature of both surfaces can be determined or estimated.

Convection Heat Losses

Convection is a special case of conduction. Convection is defined as the transfer of heat from a high temperature region in a gas or liquid as a result of movement of the masses of the fluid.

Equation 3B—Convection Losses

$$Q_{L2} = A \times F_{SL} \times C_F$$

Q_{L2} = convection heat losses (Wh)

A = surface area (in²)

F_{SL} = vertical surface convection loss factor
(W/in²) evaluated at surface temperature

C_F = surface orientation factor
heated surface faces up horizontally = 1.29
vertical = 1.00
heated surface faces down horizontally = 0.63

Radiation Heat Losses

Radiation losses are not dependent on orientation of the surface. Emissivity is used to adjust for a material's ability to radiate heat energy.

Equation 3C—Radiation Losses

$$Q_{L3} = A \times F_{SL} \times e$$

Q_{L3} = radiation heat losses (Wh)

A = surface area (in²)

F_{SL} = blackbody radiation loss factor at surface temperature (W/in²)

e = emissivity correction factor of material surface

Example:

We find that a blackbody radiator (perfect radiator) at 500°F, has heat losses of 2.5 W/in². Polished aluminum, in contrast, ($e = 0.09$) only has heat losses of 0.22 W/in² at the same temperature ($2.5 \text{ W/in}^2 \cdot 0.09 = 0.22 \text{ W/in}^2$).

Combined Convection and Radiation Heat Losses

Some curves combine both radiation and convection losses. This saves you from having to use both Equations 3B and 3C. If only the convection component is required, then the radiation component must be determined separately and subtracted from the combined curve.

Equation 3D—Combined Convection and Radiation Heat Losses

$$Q_{L4} = A \times F_{SL}$$

Q_{L4} = surface heat losses combined convection and radiation (Wh)

A = surface area (in²)

F_{SL} = combined surface loss factor at surface temperature (W/in²)

This equation assumes a constant surface temperature.

Reference Data

Power Calculations

Conduction and Convection Heating

Total Heat Losses

The total conduction, convection and radiation heat losses are summed together to allow for all losses in the power equations. Depending on the application, heat losses may make up only a small fraction of total power required or it may be the largest portion of the total. Therefore, do not ignore heat losses unless previous experience tells you it is alright to do.

Equation 3E—Total Losses

$Q_L = Q_{L1} + Q_{L2} + Q_{L3}$ If convection and radiation losses are calculated separately. (Surfaces are not uniformly insulated and losses must be calculated separately.)

OR

$Q_L = Q_{L1} + Q_{L4}$ If combined radiation and convection curves are used. (Pipes, ducts, uniformly insulated bodies.)

Start-Up and Operating Power Required

Both of these equations estimate required energy and convert it to power. Since power (watts) specifies an energy rate, we can use power to select electric heater requirements. Both the start-up power and the operating power must be analyzed before heater selection can take place.

Equation 4—Start-Up Power (Watts)

$$P_s = \left[\frac{Q_A + Q_C}{t_s} \frac{2}{3} (Q_L) \right] \times (1 + \text{S.F.})$$

Q_A = heat absorbed by materials during heat-up (Wh)

Q_C = latent heat absorbed during heat-up (Wh)

Q_L = conduction, convection, radiation losses (Wh)

S.F. = safety factor

t_s = start-up (heat-up) time required (hr)

During start up of a system the losses are zero, and rise to 100 percent at process temperature. A good approximation of actual losses is obtained when heat losses (Q_L) are multiplied by $2/3$.

Equation 5—Operating Power (Watts)

$$P_o = \left[\frac{Q_B + Q_D}{t_c} + (Q_L) \right] \times (1 + \text{S.F.})$$

Q_B = heat absorbed by processed materials in working cycle (Wh)

Q_D = latent heat absorbed by materials heated in working cycle (Wh)

Q_L = conduction, convection, radiation losses (Wh)

S.F. = safety factor

t_c = cycle time required (hr)

Reference Data

Power Calculations

Conduction and Convection Heating

Radiant Heating

When the primary mode of heat transfer is radiation, we add a step after Equation 5.

Equation 6 is used to calculate the net radiant heat transfer between two bodies. We use this to calculate either the radiant heater temperature required or (if we know the heater temperature, but not the power required) the maximum power which can be transferred to the load.

Equation 6—Radiation Heat Transfer Between Infinite Size Parallel Surfaces

$$\frac{P_R}{A} = \frac{S (T_1^4 - T_2^4) \left(\frac{1}{e_f}\right) F}{(144 \text{ in}^2/\text{ft}^2) (3.412 \text{ BTU/Wh})}$$

P_R = power absorbed by the load (watts) - from equation 4 or 5

A = area of heater (in²) - known or assumed

S = Stephan Boltzman constant
= $0.1714 \cdot 10^{-8}$ (BTU/hr. sq. ft. °R⁴)

T_1 (°R) = emitter temperature (°F + 460)

T_2 (°R) = load temperature (°F + 460)

e_f = emissivity correction factor - see Emissivity Correction Factor information to the right

F = shape factor (0 to 1.0) - see Shape Factor for Radiant Application graph to the right

Emissivity Correction Factor (e)

$$e_f = \frac{1}{e_S} + \frac{1}{e_L} - 1 \quad \text{plane surfaces}$$

$$e_f = \frac{1}{e_S} + \frac{D_S}{D_L} \left(\frac{1}{e_L} - 1\right) \quad \text{concentric cylinders inner radiating outward}$$

$$e_f = \frac{1}{e_S} + \left(\frac{D_S}{D_L} \times \frac{1}{e_L}\right) - 1 \quad \text{concentric cylinders outer radiating inward}$$

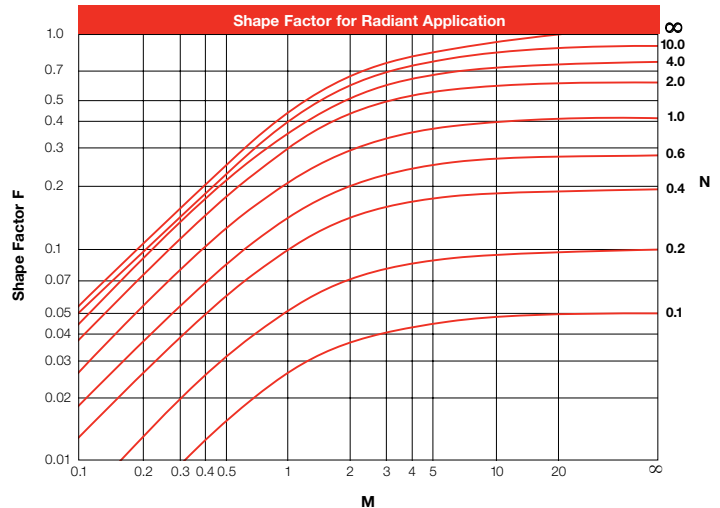
e_S = heater emissivity (from material emissivity tables)

e_L = load emissivity (from material emissivity tables)

D_S = heater diameter

D_L = load diameter

Shape Factor for Radiant Application



For Two Facing Panels:

$$N = \left(\frac{\text{Heated Length}}{\text{Distance to Material}} \right)$$

$$M = \left(\frac{\text{Heated Width}}{\text{Distance to Material}} \right)$$

Reference Data

Power Calculations

Conduction and Convection Heating

Power Evaluation

After calculating the start up and operating power requirements, a comparison must be made and various options evaluated.

Shown in the graph below are the start up and operating watts displayed in a graphic format to help you see how power requirements add up.

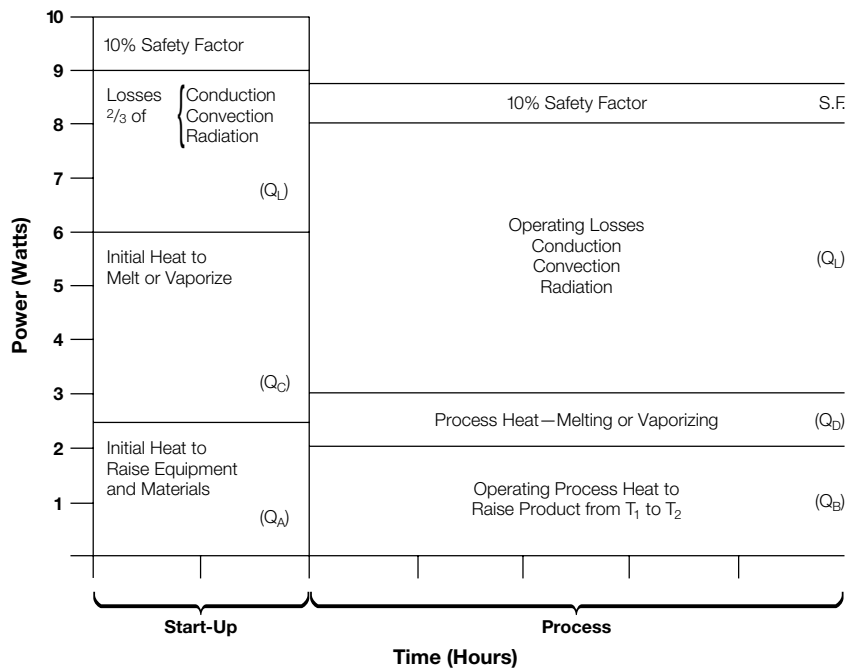
With this graphic aid in mind, the following evaluations are possible:

- Compare start up watts to operating watts.
- Evaluate effects of lengthening start-up time such that start-up watts equals operating watts (use timer to start system before shift).

- Recognize that more heating capacity exists than is being utilized. (A short start-up time requirement needs more wattage than the process in wattage.)
- Identify where most energy is going and redesign or add insulation to reduce wattage requirements.

Having considered the entire system, a reevaluation of start-up time, production capacity and insulating methods should be made.

Comparison of Start Up and Operating Power Requirements



Reference Data

Equations

Ohm's Law

Volts

$$\text{Volts} = \sqrt{\text{Watts} \times \text{Ohms}}$$

$$\text{Volts} = \frac{\text{Watts}}{\text{Amperes}}$$

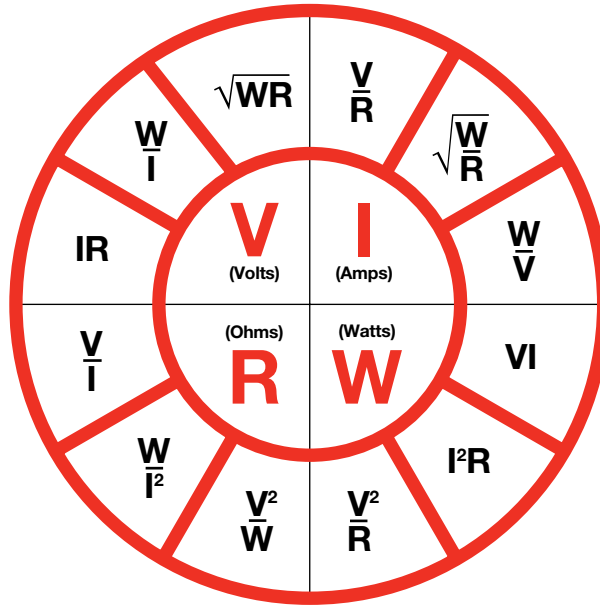
$$\text{Volts} = \text{Amperes} \times \text{Ohms}$$

Ohms

$$\text{Ohms} = \frac{\text{Volts}}{\text{Amperes}}$$

$$\text{Ohms} = \frac{\text{Volts}^2}{\text{Watts}}$$

$$\text{Ohms} = \frac{\text{Watts}}{\text{Amperes}^2}$$



Amperes

$$\text{Amperes} = \frac{\text{Volts}}{\text{Ohms}}$$

$$\text{Amperes} = \frac{\text{Watts}}{\text{Volts}}$$

$$\text{Amperes} = \sqrt{\frac{\text{Watts}}{\text{Ohms}}}$$

Watts

$$\text{Watts} = \frac{\text{Volts}^2}{\text{Ohms}}$$

$$\text{Watts} = \text{Amperes}^2 \times \text{Ohms}$$

$$\text{Watts} = \text{Volts} \times \text{Amperes}$$

Wattage varies directly as ratio of voltages squared

$$W_2 = W_1 \times \left(\frac{V_2}{V_1}\right)^2$$

$$3 \text{ Phase Amperes} = \frac{\text{Total Watts}}{\text{Volts} \times 1.732}$$

Reference Data

Equations

Typical 3-Phase Wiring Diagrams and Equations for Resistive Heaters

Definitions

For Both Wye and Delta (Balanced Loads)

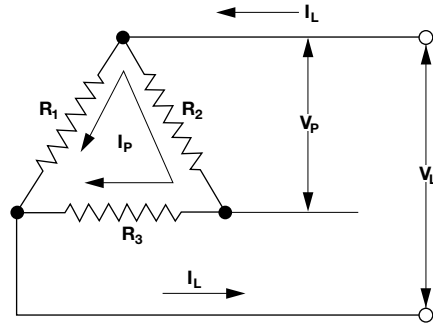
- V_p = Phase voltage
- V_L = Line voltage
- I_p = Phase current
- I_L = Line current
- $R = R_1 = R_2 = R_3 =$
Resistance of each branch

W = Wattage

Wye and Delta Equivalents

- $W_{DELTA} = 3 W_{WYE}$
- $W_{ODELTA} = 2/3 W_{DELTA}$
- $W_{OWYE} = 1/2 W_{WYE}$

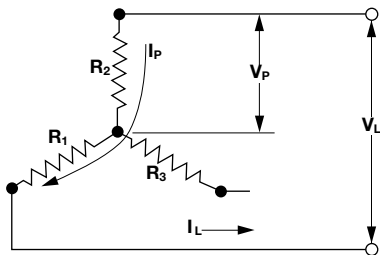
3-Phase Delta (Balanced Load)



Equations For Delta Only

- $I_p = I_L / 1.73$
- $V_p = V_L$
- $W_{DELTA} = 3(V_L^2/R)$
- $W_{DELTA} = 1.73 V_L I_L$

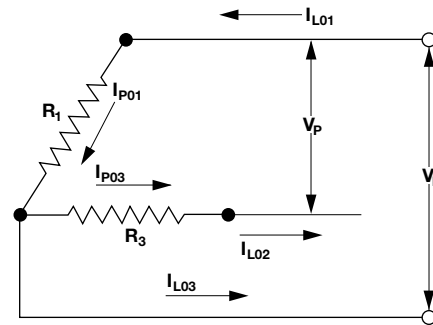
3-Phase Wye (Balanced Load)



Equations For Wye Only

- $I_p = I_L$
- $V_p = V_L / 1.73$
- $W_{WYE} = V_L^2 / R = 3(V_p^2) / R$
- $W_{WYE} = 1.73 V_L I_L$

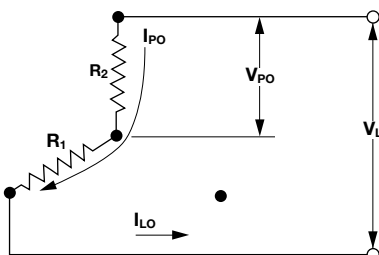
3-Phase Open Delta



Equations For Open Delta Only

- $V_p = V_L$
- $I_{p01} = I_{p03} = I_{L02}$
- $I_{L03} = 1.73 I_{p01}$
- $W_{ODELTA} = 2(V_L^2/R)$

3-Phase Open Wye (No Neutral)



Equations For Open Wye Only

- $I_{p0} = I_{L0}$
- $V_{p0} = V_L / 2$
- $W_{OWYE} = 1/2 (V_L^2/R)$
- $W_{OWYE} = 2 (V_{p0}^2/R)$
- $W_{OWYE} = V_L I_{L0}$

Reference Data

Wattage Requirements

The following equations can be used to make quick estimates of wattage requirements.

For Steel

Use equation:

$$\text{kW} = \frac{\text{pounds} \times \text{temperature rise } (^{\circ}\text{F})}{20,000 \times \text{heat-up time (hrs.)}}$$

OR

$$\text{kW} = \frac{\text{kilograms} \times \text{temperature rise } (^{\circ}\text{C})}{5040 \times \text{heat-up time (hrs.)}}$$

For Oil

Use equation:

$$\text{kW} = \frac{\text{gallons} \times \text{temperature rise } (^{\circ}\text{F})}{800 \times \text{heat-up time (hrs.)}}$$

OR

$$\text{kW} = \frac{\text{liters} \times \text{temperature rise } (^{\circ}\text{C})}{1680 \times \text{heat-up time (hrs.)}}$$

1 cu. ft. = 7.49 gallons

For Heating Water in Tanks

Use equation:

$$\text{kW} = \frac{\text{gallons} \times \text{temperature rise } (^{\circ}\text{F})}{375 \times \text{heat-up time (hrs.)}}$$

OR

$$\text{kW} = \frac{\text{liters} \times \text{temperature rise } (^{\circ}\text{C})}{790 \times \text{heat-up time (hrs.)}}$$

1 cu. ft. = 7.49 gallons

For Heating Flowing Water

Use equation:

$$\text{kW} = \text{GPM}^* \times \text{temperature rise } (^{\circ}\text{F}) \times 0.16$$

OR

$$\text{kW} = \text{liters/min.} \times \text{temperature rise } (^{\circ}\text{C}) \times 0.076$$

For Air

Use equation:

$$\text{kW} = \frac{\text{CFM}^{**\textcircled{1}} \times \text{temperature rise } (^{\circ}\text{F})}{3000}$$

OR

$$\text{kW} = \frac{\text{cubic meters/min}^{\textcircled{1}} \times \text{temperature rise } (^{\circ}\text{C})}{47}$$

For Compressed Air

Use equation:

$$\text{kW} = \frac{\text{CFM}^{**\textcircled{2}} \times \text{density}^{\textcircled{2}} \times \text{temperature rise } (^{\circ}\text{F})}{228}$$

OR

$$\text{kW} = \frac{\text{cubic meters/min}^{\textcircled{2}} \times \text{temperature rise } (^{\circ}\text{C}) \times \text{density (kg/m}^3\text{)}^{\textcircled{2}}}{57.5}$$

* Gallons per minute

** Cubic feet per minute

^① Measured at normal temperature and pressure

^② Measured at heater system inlet temperature and pressure

Reference Data

Wattage Requirements

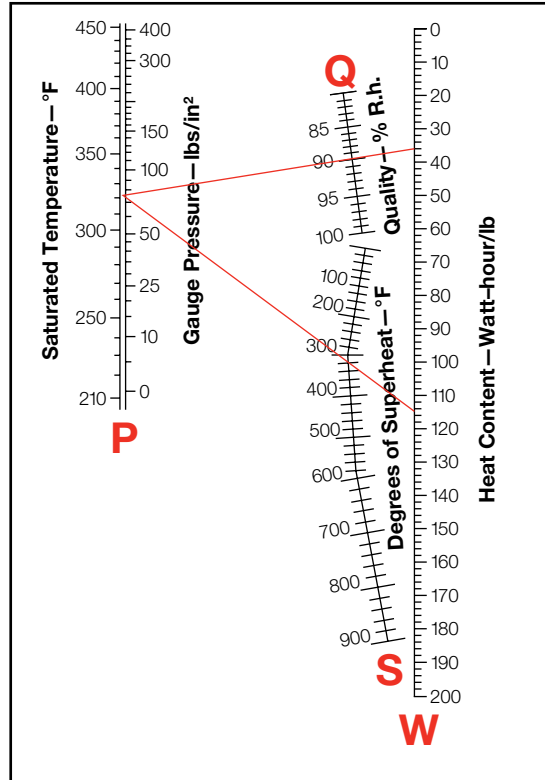
Kilowatt-Hours to Superheat Steam

1. Plot points on lines **P**, **Q** and **S**. **P** represents the inlet temperature (and saturation pressure) of the system.
Q represents the liquid content of the water vapor.
S indicates the outlet temperature minus the saturated temperature.
W indicates the heat content of the water vapor.
 2. Draw a straight line from **P** through **Q** to **W**. Read **W₁**.
 3. Draw a straight line from **P** through **S** to **W**. Read **W₂**.
 4. Required watts = Weight (lbs) of steam/hour x (W₂-W₁)
- Watt density is critical. Review temperature and velocity prior to heater selection.

Example Shown:

Q = 90% quality (% R.H.)
P = 75 psig
S = 320°F

Superheat Steam



Note: Reference is based on >80% steam quality at >20 psig.

Reference Data

Tubular Elements and Assembly Selection Guide

Watlow® tubular elements and assemblies are primarily used for direct immersion in water, oils, viscous materials, solvents, process solutions and molten materials as well as air and gases.

Additionally, round and flat surface tubular elements (WATROD™ and FIREBAR® heaters respectively) can be used for surface heating.

WATROD and FIREBAR heating elements may be purchased separately, or fabricated into process heating assemblies, including:

- Screw plug
- Flange
- Circulation
- Booster
- Engine preheater
- Over-the-side
- Vertical loop
- Drum
- Duct

Both elements and assemblies are available from stock. They can be configured with a variety of watt and volt ratings, terminations, sheath materials and mounting options to satisfy the most demanding applications.

If our stock products do not meet your application needs, Watlow can custom engineer the optimum heater.

Performance Capabilities

- Sheath temperatures up to 1800°F (983°C)
- Assembly wattages to 3 megawatts
- Process assembly ratings up to 3000psi
- Watt densities up to 120 W/in² (18.6 W/cm²)
- Enhanced performance beyond these specifications is available upon request
- Watlow can design thermal systems to meet specific performance criteria. Contact your local Watlow representative for assistance.



Features and Benefits

53 standard bend formations

- Enables designing of the heating element around available space to maximize heating efficiency

FIREBAR flat surface geometry

- Enhances heat transfer in both immersion and air applications and also surface heating
- Increases surface area per linear inch allowing heaters to run cooler in viscous materials

Wattages from 95 watts to 3 megawatts (on individual elements and assemblies respectively)

- Makes tubular heaters one of the most versatile electric heating sources available

Typical Applications

- Liquids
- Air
- Gases
- Molten materials
- Contact surface heating
- Radiant surface heating

Reference Data

Tubular Elements and Assembly Selection Guide

The following two charts will help you select an appropriate heater based on your application and watt density restrictions. These charts are application driven. The total wattage required by your application should be known before selecting a specific heater type(s) from the stock tables. If your required wattage is not known, please contact your Watlow representative.

Once the heater type has been identified, turn to the appropriate product section for information on the element or assembly.

Element and Assembly Selection Guide

To identify the tubular heater type best suited to your application, consult the *Element and Assembly Selection Guide*.

In most cases Watlow recommends using single tubular heating elements for low kilowatt applications.

Assemblies are better suited for large kilowatt applications to heat liquids, air or gases.

When selecting a heater according to watt density, be sure to consider the following:

- Liquid viscosity at start up and at process temperature
- Operating temperature
- Chemical composition

Under the “**Heating Method**” column in the *Element and Assembly Selection Guide* locate the method that applies to your application to find the recommended “Heater Type.”

After identifying the heater type(s) suitable for your application, refer to the *Supplemental Applications Chart* for further application data. This chart will assist you in selecting the appropriate watt density and sheath material for your specific application. It also presents the performance characteristics for both WATROD and FIREBAR elements.

Element and Assembly Selection Guide

Application	Heating Method	Heater Type
Liquids:		
Acids	Direct immersion (circulating/non-circulating)	FIREBAR, WATROD, screw plug, flange, over-the-side, vertical loop and pipe insert
Caustic soda 12% concentrate 10% concentrate 75% concentrate	Direct immersion (circulating/non-circulating)	WATROD, screw plug, square flange, flange, over-the-side, vertical loop, circulation and pipe insert
Degreasing solutions	Direct immersion (circulating/non-circulating)	FIREBAR, WATROD, screw plug, square flange, flange, over-the-side and pipe insert
Electroplating	Direct immersion (circulating/non-circulating)	FIREBAR, WATROD, screw plug, square flange, flange, over-the-side, drum, vertical loop and pipe insert
Ethylene glycol 50% concentrate 100% concentrate	Direct immersion (circulating/non-circulating)	FIREBAR, WATROD, screw plug, flange, over-the-side, circulation, booster and engine preheater
Oils Asphalt Fuel oils Light grades 1 and 2 Medium grades 4 and 5 Heavy grade 6 and Bunker C Heat transfer Lubricating SAE 10, 20, 30 SAE 40, 50 API STD 614 Vegetable (cooking)	Direct immersion (circulating/non-circulating)	FIREBAR, WATROD, screw plug, square flange, flange, over-the-side, drum, vertical loop, circulation, booster and pipe insert
Paraffin or wax	Direct immersion (circulating/non-circulating)	FIREBAR, WATROD, screw plug, square flange, flange, over-the-side, drum and pipe insert

CONTINUED

Reference Data

Tubular Elements and Assembly Selection Guide

Element and Assembly Selection Guide (Continued)

Application	Heating Method	Heater Type
Water Clean Deionized DeminerIALIZED Potable Process	Direct immersion (circulating/non-circulating)	FIREBAR (non-process water only) WATROD, screw plug, screw plug with control assembly, square flange, flange, over-the-side, drum, vertical loop, circulation, booster, engine preheater and pipe insert
Air:	Direct (forced or natural convection)	FIREBAR, WATROD, FINBAR, WATROD enclosure heater, screw plug, flange, circulation and duct
Gas: Hydrocarbons, Nitrogen, Oxygen Ozone, Steam	Direct (forced convection)	FIREBAR, WATROD, screw plug, flange and circulation
Molten Materials: Aluminum Lead Salt Solder	Indirect (radiant) Direct (non-circulating) Direct (non-circulating) Direct (non-circulating)	WATROD FIREBAR and WATROD FIREBAR and WATROD FIREBAR and WATROD
Surface Heating: Dies, griddles, molds, platens	Direct	FIREBAR and WATROD

Supplemental Applications Chart

This *Supplemental Applications Chart* is provided in addition to the *Element and Assembly Selection Guide*. This chart will help you select watt density and sheath materials for either WATROD or FIREBAR heating elements according to the specific media being heated.

For example, if you are heating vegetable oil, either WATROD or FIREBAR elements at 30 and 40 W/in² respectively (4.6 and 6.2 W/cm²) with 304 stainless steel, sheath can be used.

Supplemental Applications Chart

Heated Material	Max. Operating Temperature °F (°C)		WATROD Element		FIREBAR Element		Sheath Material
			Max. Watt Density W/in ² (W/cm ²)	Sheath Material	Max. Watt Density W/in ² (W/cm ²)	Sheath Material	
Acid Solutions (Mild)							
Acetic	180	(82)	40 (6.2)	316 SS	40 (6.2)		Alloy 800
Boric (30% max.)	257	(125)	40 (6.2)	Titanium	40 (6.2)		304 SS
Carbonic	180	(82)	40 (6.2)	Alloy 600	40 (6.2)		304 SS
Chromic	180	(82)	40 (6.2)	Titanium	N/A	N/A	N/A
Citric	180	(82)	23 (3.6)	Alloy 800	30 (4.6)		Alloy 800
Fatty Acids	150	(65)	20 (3.1)	316 SS	30 (4.6)		Alloy 800
Lactic	122	(50)	10 (1.6)	316 SS	N/A	N/A	N/A
Levulinic	180	(82)	40 (6.2)	Alloy 600	40 (6.2)		304 SS
Malic	122	(50)	10 (1.6)	316 SS	16 (2.5)		Alloy 800
Nitric (30% max.)	167	(75)	20 (3.1)	316 SS	30 (4.6)		Alloy 800
Phenol—2-4							
Disulfonic	180	(82)	40 (6.2)	316 SS	40 (6.2)		Alloy 800
Phosphoric	180	(82)	23 (3.6)	Alloy 800	30 (4.6)		Alloy 800
Phosphoric (Aerated)	180	(82)	23 (3.6)	304 SS	30 (4.6)		304 SS

CONTINUED

Reference Data

Tubular Elements and Assembly Selection Guide

Supplemental Applications Chart (Continued)

Heated Material	Max. Operating Temperature °F (°C)		WATROD Element		FIREBAR Element			
			Max. Watt Density W/in ² (W/cm ²)	Sheath Material	Max. Watt Density W/in ² (W/cm ²)	Sheath Material		
Proponic (10% max.)	180	(82)	40	(6.2)	Alloy 800	40	(6.2)	304 SS
Tannic	167/180	(75/82)	23/40	(3.6/6.2)	Steel/304 SS	40	(6.2)	304 SS
Tartaric	180	(82)	40	(6.2)	316 SS	40	(6.2)	Alloy 800
Acetaldehyde	180	(82)	10	(1.6)	Alloy 800	16	(2.4)	Alloy 800
Acetone	130	(54)	10	(1.6)	304 SS	16	(2.4)	304 SS
Air			①	①	Alloy 800	①	①	Alloy 800
Alcyl alcohol	200	(93)	10	(1.6)	Alloy 800	16	(2.4)	Alloy 800
Alkaline solutions	212	(100)	40	(6.2)	Steel	48	(7.4)	304 SS
Aluminum acetate	122	(50)	10	(1.6)	316 SS	16	(2.5)	Alloy 800
Aluminum potassium sulfate	212	(100)	40	(6.2)	Alloy 800	N/A	N/A	N/A
Ammonia gas	①	①	①	①	Steel	①	①	304 SS
Ammonium acetate	167	(75)	23	(3.6)	Alloy 800	30	(4.6)	Alloy 800
Amyl acetate	240	(115)	23	(3.6)	Alloy 800	30	(4.6)	Alloy 800
Amyl alcohol	212	(100)	20	(3.1)	304 SS	30	(4.6)	304 SS
Aniline	350	(176)	23	(3.6)	304 SS	30	(4.6)	304 SS
Asphalt	200-500	(93-260)	4-10	(0.6 - 1.6)	Steel	6-12	(0.9 - 1.8)	304 SS
Barium hydroxide	212	(100)	40	(6.2)	316 SS	40	(6.2)	Alloy 800
Benzene, liquid	150	(65)	10	(1.6)	Alloy 800	16	(2.5)	304 SS
Butyl acetate	225	(107)	10	(1.6)	316 SS	16	(2.5)	Alloy 800
Calcium bisulfate	400	(204)	20	(3.1)	316 SS	N/A	N/A	N/A
Calcium chloride	200	(93)	5-8	(0.8 - 1.2)	Alloy 600	N/A	N/A	N/A
Carbon monoxide	—	—	①	①	Alloy 800	①	①	Alloy 800
Carbon tetrachloride	160	(71)	23	(3.6)	Alloy 800	30	(4.6)	Alloy 800
Caustic soda:								
2%	210	(98)	48	(7.4)	Alloy 800	—	—	Contact Watlow
10% concentrate	210	(98)	23	(3.6)	Alloy 800	—	—	Contact Watlow
75%	180	(82)	23	(3.6)	Alloy 800	—	—	Contact Watlow
Citric juices	185	(85)	23	(3.6)	Alloy 800	30	(4.6)	Alloy 800
Degreasing solution	275	(135)	23	(3.6)	Steel	30	(4.6)	304 SS
Dextrose	212	(100)	20	(3.1)	304 SS	30	(4.6)	304 SS
Dyes and pigments	212	(100)	23	(3.6)	304 SS	30	(4.6)	304 SS

Electroplating Baths:

Cadmium	180	(82)	40	(6.2)	304 SS	40	(6.2)	304 SS
Alloy 800	180	(82)	40	(6.2)	316 SS	N/A	N/A	N/A
Dilute cyanide	180	(82)	40	(6.2)	316 SS	N/A	N/A	N/A
Rochelle cyanide	180	(82)	40	(6.2)	316 SS	N/A	N/A	N/A
Sodium cyanide	180	(82)	40	(6.2)	316 SS	N/A	N/A	N/A
Potassium cyanide	180	(82)	40	(6.2)	316 SS	40	(6.2)	304 SS
Ethylene glycol	300	(148)	30	(4.6)	Steel	40	(6.2)	304 SS
Formaldehyde	180	(82)	10	(1.6)	304 SS	16	(2.5)	304 SS
Freon® gas	300	(148)	2-5	(0.3 - 0.8)	Steel			304 SS
Gasoline	300	(148)	23	(3.6)	Steel	30	(4.6)	304 SS

CONTINUED

① Contact your Watlow representative.

Reference Data

Tubular Elements and Assembly Selection Guide

Supplemental Applications Chart (Continued)

Heated Material	Max. Operating Temperature °F (°C)		WATROD Element			FIREBAR Element		
			Max. Watt Density W/in ² (W/cm ²)		Sheath Material	Max. Watt Density W/in ² (W/cm ²)		Sheath Material
Gelatin liquid	150	(65)	23	(3.6)		304 SS	30	
Gelatin solid	150	(65)	5	(0.8)	304 SS	7	(1.0)	304 SS
Glycerin	500	(260)	10	(1.6)	Alloy 800	12	(1.9)	304 SS
Glycerol	212	(100)	23	(3.6)	Alloy 800	30	(4.6)	304 SS
Grease:								
Liquid	—	—	23	(3.6)	Steel	30	(4.6)	304 SS
Solid	—	—	5	(0.8)	Steel	7	(1.0)	304 SS
Hydrazine	212	(100)	16	(2.5)	304 SS	20	(3.1)	304 SS
Hydrogen	①	①	—	—	Alloy 800	①	①	Alloy 800
Hydrogen chloride	①	①	—	—	Alloy 600	①	①	N/A
Hydrogen sulfide	①	①	—	—	316 SS (heavy wall)	①	①	N/A
Magnesium chloride	212	(100)	40	(6.2)	Alloy 600	40	(6.2)	Alloy 800
Magnesium sulfate	212	(100)	40	(6.2)	304 SS	40	(6.2)	304 SS
Magnesium sulfate	212	(100)	40	(6.2)	316 SS	40	(6.2)	304 SS
Methanol gas	①	①	—	—	304 SS	①	①	304 SS
Methylamine	180	(82)	20	(3.1)	Alloy 600	30	(4.6)	304 SS
Methylchloride	180	(82)	20	(3.1)	Alloy 800	N/A	N/A	N/A
Molasses	100	(37)	4-5	(0.6 - 0.8)	304 SS	5-8	(0.8 - 1.2)	304 SS
Molten salt bath	800-900	(426-482)	25-30	(3.8 - 4.6)	Alloy 400	N/A	N/A	N/A
Naphtha	212	(100)	10	(1.6)	Steel	16	(2.5)	304 SS

Oils

Fuel oils:								
Grades 1 and 2 (distillate)	200	(93)	23	(3.6)	Steel	30	(4.6)	304 SS
Grades 4 and 5 (residual)	200	(93)	13	(2.0)	Steel	16	(2.5)	304 SS
Grades 6 and Bunker C (residual)	160	(71)	8	(1.2)	Steel	10	(1.6)	304 SS
Heat transfer oils: ②								
Static	500	(260)	16	(2.5)	Steel	23	(3.6)	304 SS
	600	(315)	10	(1.6)	Steel	16	(2.5)	304 SS
Circulating	500	(260)	23	(3.6)	Steel	30	(4.6)	304 SS
	600	(315)	15	(2.3)	Steel	20	(3.1)	304 SS
Lubrication oils:								
SAE 10, 90-100 SSU @ 130°F	250	(121)	23	(3.6)	Steel	30	(4.6)	304 SS
SAE 20, 120-185 SSU @ 130°F	250	(121)	23	(3.6)	Steel	30	(4.6)	304 SS
SAE 30, 185-255 SSU @ 130°F	250	(121)	23	(3.6)	Steel	30	(4.6)	304 SS
SAE 40, -80 SSU @ 210°F	250	(121)	13	(2.0)	Steel	18	(2.7)	304 SS
SAE 50, 80-105 SSU @ 210°F	250	(121)	13	(2.0)	Steel	18	(2.7)	304 SS

CONTINUED

① Contact your Watlow representative.

② Maximum operating temperatures and watt densities are detailed in *Heat Transfer Oil* charts on page 560.

Reference Data

Tubular Elements and Assembly Selection Guide

Supplemental Applications Chart (Continued)

Heated Material	Max. Operating Temperature °F (°C)		WATROD Element		FIREBAR Element			
			Max. Watt Density W/in ² (W/cm ²)	Sheath Material	Max. Watt Density W/in ² (W/cm ²)	Sheath Material		
Miscellaneous oils:								
Draw bath	600	(315)	23	(3.6)	Steel	30	(4.6)	304 SS
Hydraulic	—	—	15	③ (2.3)	Steel	15	③ (2.3)	304 SS
Linseed	150	(65)	50	(7.7)	Steel	60	(9.3)	304 SS
Mineral	200	(93)	23	(3.6)	Steel	30	(4.6)	304 SS
	400	(204)	16	(2.5)	Steel	23	(3.6)	304 SS
Vegetable/shortening	400	(204)	30	(4.6)	304 SS	40	(6.2)	304 SS
Paraffin or wax (liquid)	150	(65)	16	(2.4)	Steel	20	(3.1)	304 SS
Perchloroethylene	200	(93)	23	(3.6)	Steel	30	(4.6)	304 SS
Potassium chlorate	212	(100)	40	(6.2)	316 SS	N/A	N/A	N/A
Potassium chloride	212	(100)	40	(6.2)	316 SS	N/A	N/A	N/A
Potassium hydroxide	160	(71)	23	(3.6)	Alloy 400	N/A	N/A	N/A
Soap, liquid	212	(100)	20	(3.1)	304 SS	30	(4.6)	304 SS
Sodium acetate	212	(100)	40	(6.2)	Steel	50	(7.7)	304 SS
Sodium cyanide	140	(60)	40	(6.2)	Alloy 800	50	(7.7)	Alloy 800
Sodium hydride	720	(382)	28	(4.3)	Alloy 800	36	(5.5)	Alloy 800
Sodium hydroxide	—	—	—	—	See Caustic Soda	—	—	—
Sodium phosphate	212	(100)	40	(6.2)	Alloy 800	50	(7.7)	304 SS
Steam, flowing	300	(148)	10	(1.6)	Alloy 800	①	①	Alloy 800
	500	(260)	5-10	(0.8-1.6)	Alloy 800	①	①	Alloy 800
	700	(371)	5	(0.8)	Alloy 800	①	①	Alloy 800
Sulfur, molten	600	(315)	10	(1.6)	Alloy 800	12	(1.8)	Alloy 800
Toluene	212	(100)	23	(3.6)	Steel	30	(4.6)	304 SS
Trichlorethylene	150	(65)	23	(3.6)	Steel	30	(4.6)	304 SS
Turpentine	300	(148)	20	(3.1)	304 SS	25	(3.8)	304 SS

Water

Clean	212	(100)	60	(9.3)	Alloy 800	45	(7)	Alloy 800
Deionized	212	(100)	60	(9.3)	316 SS (passivated)	90	(14)	Alloy 800
Demineralized	212	(100)	60	(9.3)	316 SS (passivated)	90	(14)	Alloy 800
Potable	212	(100)	60	(9.3)	Alloy 800	45	(7)	Alloy 800
Process	212	(100)	48	(9.3)	Alloy 800			Contact Watlow

① Contact your Watlow representative.

③ Per API standards.

Reference Data

Tubular Elements and Assembly Selection Guide

Free Cross Sectional Area of WATROD and FIREBAR Circulation Heaters

Free cross sectional areas from the chart are in square feet. Calculations are based on:

- Flange 12 inches and under, pipes are schedule 40
- Flanges 14 inches and above, pipes are standard wall thickness 0.375 in. (9.5 mm)
- All WATROD heating elements are 0.475 in. (12 mm) diameter

Circulation Heater Size in.	Free Cross Sectional Area in Square Feet (Number of Elements in Parenthesis)		
WATROD			
2 1/2 NPT	0.044 (3)		
3 Flange	0.044 (3)	0.037 (6)	
4 Flange	0.074 (6)		
5 Flange	0.124 (6)	0.117 (9)	
6 Flange	0.172 (12)	0.164 (15)	0.288 (24)
8 Flange	0.303 (18)	0.296 (21)	
10 Flange	0.481 (27)	0.460 (36)	
12 Flange	0.697 (36)	0.652 (54)	
14 Flange	0.848 (45)	0.781 (72)	1.017 (102)
16 Flange	1.091 (72)	1.054 (87)	
18 Flange	1.372 (102)	1.357 (108)	
20 Flange	1.748 (108)	1.733 (114)	1.704 (126)
FIREBAR			
2 1/2 NPT	0.0417 (3)		
4 Flange	0.0692 (6)		
6 Flange	0.1540 (15)		

Reference Data

Tubular Elements and Assembly Selection Guide

Heat Transfer Oil Chart

Heat Transfer Fluid	Recommended Max. Temperature °F (°C)				Flammability Data °F (°C)				Min. Velocity Thru Heater in Feet/second at W/in ² (M/second at W/cm ²)									
	Process		Sheath		Flash Point		Fire Point		Autoignition		8	16	23	30				
	F	(°C)	°F	(°C)	°F	(°C)	°F	(°C)	°F	(°C)	W/in ² (W/cm ²)	W/in ² (W/cm ²)	W/in ² (W/cm ²)	W/in ² (W/cm ²)				
Calflo HTF	600	(316)	650	(343)	414	(212)	462	(239)	670	(354)	1.5	(0.5)	3.0	(0.9)	5.0	(1.52)	7.0	(2.1)
Calflo AF	550	(288)	600	(316)	400	(204)	437	(225)	650	(343)	1.5	(0.5)	3.0	(0.9)	5.0	(1.52)	7.0	(2.1)
Dow Therm® A	750	(399)	835	(446)	255	(124)	275	(135)	1150	(621)	0.5	(0.15)	1.0	(0.3)	2.0	(0.61)	3.0	(0.9)
Dow Therm® G	700	(371)	775	(413)	305	(152)	315	(157)	1150	(621)	0.7	(0.2)	1.5	(0.5)	2.5	(0.75)	3.5	(1.1)
Dow Therm® J	575	(302)	650	(343)	145	(63)	155	(68)	806	(430)	1.0	(0.3)	2.0	(0.61)	3.0	(0.9)	4.5	(1.37)
Dow Therm® LF	600	(316)	675	(357)	260	(127)	280	(138)	1020	(549)	0.7	(0.2)	1.5	(0.5)	2.5	(1.75)	3.5	(1.1)
Dow Therm® HT	650	(343)	700	(371)	no data	no data	no data	no data	no data	no data	1.5	(0.5)	2.5	(0.75)	3.5	(1.1)	5.0	(1.52)
Dow Therm® Q	625	(329)	700	(371)	no data	no data	no data	no data	773	(412)	0.7	(0.2)	1.5	(0.5)	2.5	(0.75)	3.5	(1.1)
Marlotherm S	662	(350)	698	(370)	374	(190)	no data	no data	932	(500)	1.5	(0.5)	3.0	(0.9)	5.0	(1.52)	7.0	(2.1)
Mobiltherm 603	590	(310)	625	(329)	380	(193)	no data	no data	no data	no data	1.5	(0.5)	3.0	(0.9)	5.0	(1.52)	7.0	(2.1)
Multitherm IG-2	600	(316)	650	(343)	440	(227)	500	(260)	700	(371)	0.8	(0.24)	1.7	(0.52)	2.3	(0.7)	3.0	(0.9)
Multitherm PG-1	600	(316)	640	(338)	340	(171)	385	(196)	690	(368)	1.0	(0.3)	2.0	(0.61)	3.0	(0.9)	4.0	(1.22)
Para Cymene	600	(316)	650	(343)	117	(47)	152	(72)	817	(438)	0.7	(0.2)	1.5	(0.5)	2.5	(0.75)	3.5	(1.1)
Syltherm 800	750	(399)	800	(427)	350	(177)	380	(193)	725	(385)	1.5	(0.5)	3.0	(0.9)	5.0	(1.52)	7.0	(2.1)
Syltherm XLT	500	(260)	550	(288)	116	(47)	130	(54)	662	(350)	1.5	(0.5)	2.5	(0.75)	4.0	(1.22)	5.0	(1.52)
Texatherm	600	(316)	640	(338)	430	(221)	no data	no data	no data	no data	2.0	(0.61)	4.0	(1.22)	6.0	(1.83)	8.0	(2.4)
Thermia 33	600	(316)	650	(343)	455	(235)	495	(257)	no data	no data	1.5	(0.5)	3.0	(0.9)	5.0	(1.52)	7.0	(2.1)
Therminol 44	400	(204)	475	(246)	405	(207)	438	(228)	705	(374)	1.0	(0.3)	2.0	(0.61)	3.0	(0.9)	4.0	(1.22)
Therminol 55	550	(288)	605	(318)	350	(177)	410	(210)	675	(357)	1.5	(0.5)	2.5	(0.75)	3.5	(1.1)	5.0	(1.52)
Therminol 59	600	(316)	650	(343)	302	(150)	335	(168)	770	(410)	1.5	(0.5)	2.5	(0.75)	3.5	(1.1)	5.0	(1.52)
Therminol 60	620	(327)	655	(346)	310	(154)	320	(160)	835	(448)	1.5	(0.5)	3.0	(0.9)	5.0	(1.52)	7.0	(2.1)
Therminol 68	650	(343)	705	(374)	350	(177)	380	(183)	705	(374)	1.5	(0.5)	2.5	(0.75)	3.0	(0.9)	4.5	(1.37)
Therminol 75	750	(399)	805	(429)	390	(199)	440	(227)	1000	(538)	1.0	(0.3)	2.0	(0.61)	3.0	(0.9)	4.0	(1.22)
Therminol LT	600	(316)	650	(343)	134	(57)	150	(66)	805	(429)	1.5	(0.5)	2.5	(0.75)	4.0	(1.22)	5.0	(1.52)
Therminol VP-1	750	(399)	800	(427)	255	(124)	280	(127)	1150	(621)	1.0	(0.3)	2.0	(0.61)	3.0	(0.9)	4.0	(1.22)
U-Con 500	500	(260)	550	(288)	540	(282)	600	(316)	750	(399)	1.0	(0.3)	2.0	(0.61)	3.0	(0.9)	4.0	(1.22)

Agency Certifications, Recognition and Approvals

Agency Certifications, Recognition and Approvals

WATROD™ and FIREBAR® Element and Assemblies563



Agency Certifications, Recognition and Approvals

WATROD and FIREBAR® Element and Assemblies

Agency Recognition

UL® and CSA recognition information charts are provided to ensure:

- Safety parameters in relationship to stated voltage and amperage
- Approved sheath materials, end seals and assembly electrical enclosures

Watlow believes that UL® and CSA recognition information is necessary to confirm the reliability of our heating products in relationship to your application. As such, the accompanying *Agency Recognition* charts illustrate the extent of coverage each heater type provides. Specific end use application information is required for each agency marking. Some products carry U.S. and Canada approvals.



UL® Recognition and Listing

File Number E52951 (UL® 499) – Component Recognition

All information for UL® File #E52951 can be found in the UL® Directory, Volume 2 under “Heaters Miscellaneous” (Classification KSOT2).

Elements (Volume 2, Section 1)

WATROD Diameter		Allowable Part Numbers	Max. Volts	Max. Watt Density		Min. Bend Radius	Allowable Sheath Materials	End Seal Types
in.	(mm)			W/in ²	W/cm ²			
0.210	(6.0)	RK series	U0-xx	250	①	①	Nickel alloy 400, 600, 800, 840, 800H, 304, 316 SS, Steel, Titanium, Copper coated steel, Hastelloy C22, C276	Epoxy resin, Lavacone, Silicone resin, Silicone rubber, Silicone fluid, Ceramic potting
0.260	(6.6)	RA series	U1-xx	250				
0.315	(8.0)	RB series	U3-xx	480				
0.375	(9.5)	RD, RS series	U5-xx	480				
0.430	(10.9)	RC series	U6-xx	600				
0.475	(12.0)	RG series	U7-xx	600				
0.490	(12.4)	RJ series	U8-xx	600				

① Dependent on application, contact your Watlow representative.

Note: All end seal types apply to all diameter heaters.

Elements (Volume 2, Section 6)

MULTICOIL Diameter		Allowable Part Numbers	Max. Volts	Max. Watt Density		Min. Bend Radius	Allowable Sheath Materials	End Seal Types
in.	(mm)			W/in ²	W/cm ²			
0.375	(9.5)	U5M series	①	①	①	Nickel alloy 800, 840, 304, 316 SS, Steel, Titanium	Epoxy resin, Silicone resin, Silicone rubber, Lavacone, Ceramic potting, Silicone fluid	
0.430	(10.9)	U6M series						
0.475	(12.0)	U7M series						
0.490	(12.4)	U8M series						

① Dependent on application, contact your Watlow representative.

Notes: All end seal types apply to all diameter heaters.

UL® and CSA must be requested at the time order is placed.

Agency Certifications, Recognition and Approvals

WATROD and FIREBAR Element and Assemblies

UL® Recognition and Listing (Continued)

Elements (Volume 2, Section 4)

FIREBAR Height in. (mm)	Allowable Part Numbers	Max. Volts	Max. Watt Density W/in ² W/cm ²	Min. Bend Radius		Allowable Sheath Materials	End Seal Types
				Major Axis in. (mm)	Minor Axis in. (mm)		
Air or Immersion Heating							
5/8 (16)	FA, FS series A-xx	480	①	1 (25)	①	Nickel alloy 800, 840, 304 SS	Epoxy resin, Lavacone, Silicone resin, Silicone rubber, Silicone fluid, Ceramic potting
1 (25)	FB, FS series	480		1 (25)			
Liquid Immersion Heating Only							
5/8 (16)	FA, FS series U-xx	480	①	1 (25)	①	Nickel alloy 800, 840, 304 SS	Epoxy resin, Lavacone, Silicone resin, Silicone rubber, Silicone fluid, Ceramic potting
1 (25)	FB, FS series	480		1 (25)			

① Dependent on application, contact your Watlow representative.

Notes: All sheath materials and end seal types apply to all diameter heaters.

UL® and CSA must be requested at the time order is placed.

Assemblies

Refer to applicable WATROD and FIREBAR elements for maximum voltage, watt density and sheath materials.

Heater Type	Allowable Part Numbers	Electrical Enclosure Options
Screw Plug	All catalog models B Series U1 to U9	General purpose or moisture resistant with or without thermostat (Type "3" thermostat excluded)
Flange	All catalog models FE, FG, FH, FK, FL, FM, FN, FO, FP, FR, FS, FT, FW —Series U1 to U9	General purpose or moisture resistant with or without thermostat (Type "3" thermostat excluded)
Circulation	All catalog models CB, CF, CP Series U1 to U9	General purpose or moisture resistant with or without thermostat (Type "3" thermostat excluded)
Over-the-Side	All catalog models OL and OR Series U1 to U9 , except U2 and U4	Moisture resistant with or without thermostat
Duct	All catalog models D6 to D125 , MDH6 to MDH60 , LDH9 to LDH225 Series U1 to U9 and U0	General purpose enclosure only

Agency Certifications, Recognition and Approvals

WATROD and FIREBAR Element and Assemblies

If CE Marking to the 2006/95/EC European Low Voltage Directive is required please contact your Watlow representative.

Agency Certifications, Recognition and Approvals

WATROD and FIREBAR Element and Assemblies

This Page Left Blank Intentionally

Agency Certifications, Recognition and Approvals

WATROD and FIREBAR Element and Assemblies

CSA Certification

File Number LR 31388

All information for CSA file LR 31388 can be found in the *CSA List of Certified Electrical Equipment* catalog, Volume II, under Heaters—Miscellaneous.

Elements

Heater Type— Diameter/Height in. (mm)	Allowable Part Numbers	Max. Volts	Max. Watt Density W/in ² (W/cm ²)		Allowable Sheath Materials ^④	End Seal Type (All Diameters)
WATROD:						
0.260 (6.6)	All catalog models, 1-xx	250	120	(18.5)	Nickel alloy 400, 600, 800, 840, 304, 316 SS, Steel, Copper coated steel	Epoxy resin, Lavacone, Silicone resin, Silicone rubber, Ceramic, Silicone fluid
0.315 (8.0)	All catalog models, 3-xx	480	120	(18.5)		
0.375 (9.5)	All catalog models, 5-xx	600	120	(18.5)		
0.430 (10.9)	All catalog models, 6-xx	600	120	(18.5)		
0.475 (12.0)	All catalog models, 7-xx	600	120	(18.5)		
0.490 (12.4)	All catalog models, 8-xx	600	120	(18.5)		
FIREBAR:						
⁵ / ₈ (15.9)	FA, FS models, 4-xx	480	120	(18.5)	Nickel alloy 800, 840 304 SS	Epoxy resin, Lavacone, Silicone resin, Silicone rubber Ceramic, Silicone fluid
1 (25.0)	FB, FS models, 2-xx	480	120	(18.5)		
MULTICELL:		Contact Watlow				

^④ Some sheath materials not available on all diameters. Contact your Watlow representative.

Note: Heating elements are certified only for use in equipment where the acceptability of the construction combination is determined by the Canadian Standards Association.

Note: All sheath materials and end seal types apply to all diameter heaters.

Assemblies

Heater Type	Allowable Part Numbers	Electrical Enclosure Options
Screw Plug	Catalog series “ B ” Series 1-xx to 9-xx	General purpose with or without thermostat Enclosure 4 with or without thermostat
Flange	Catalog series “ F ” Series 1-xx to 9-xx	General purpose with or without thermostat Enclosure 4 with or without thermostat ^⑤
Circulation	Catalog series “ C ” Series 1-10 to 9-10	General purpose with or without thermostat Enclosure 4 with or without thermostat ^⑤
Over-the-Side	Catalog series “ OL ” and “ OR ” Series 1-30 to 9-30	Enclosure 4 with or without thermostat
Duct	Catalog series “ D ”, “ LDH ” and “ MDH ” Series 1-1 to 9-1	General purpose enclosure only

^⑤ 4, 5, 6 and 8 inch flange size only.

File Number LR 61707—Heater Assemblies—Miscellaneous—For Hazardous Locations

Heater Type	Allowable Part Numbers	Electrical Enclosure Options
Screw Plug	Catalog series “ B ” Series 1-xx to 9-xx	Class 1, Div. 1 and 2, Groups B, C and D and enclosure 4 with or without thermostat
Flange	Catalog series “ F ” Series 1-xx to 9-xx , 700 , 701 , 702 , 703 , 704 , 713 , 714	Class 1, Div. 1 and 2, Groups B, C and D and enclosure 4 with or without thermostat
Circulation	Catalog series “ C ” Series 1-10 to 9-10	Class 1, Div. 1 and 2, Groups B, C and D and enclosure 4 with or without thermostat

Note: UL[®] and CSA must be requested at the time the order is placed.

Agency Certifications, Recognition and Approvals

WATROD and FIREBAR Element and Assemblies

ATEX Certification

Certificate Number KEMA 07ATEX0172X

IECEX Certification

Certificate Number IECEX CSA 09.0010

Watlow can provide flange heaters with European ATEX or International IECEX flameproof (Ex 'd') and increased safety (EX 'E') Certifications. Contact your Watlow representative for details.

Index

Index

Product Category Index.....571
Part Number Index572

Index



Product Category Index

375 Finned Strip Heaters.....	409	Plate Flange Immersion Heaters	307
375 High-Temperature Strip Heaters.....	481	Polyimide Heaters.....	148
Agency Certifications, Recognition and Approvals....	561	Pre-Coiled Cable Nozzle Heaters	509
Band and Strip Emitters	527	Protective Wells.....	539
Bayonet/Pipe Insert Immersion Heaters.....	316	RAYMAX Panel Heaters	513
Booster Heaters	377	Reference Data	541
Bulb and Capillary	534	Screw Plug with Control Assembly.....	235
Ceramic Fiber Heaters.....	433	SERIES EHG® CL	158
Coil/Cable Heaters	467	SERIES EHG	152
Duct Heaters	391	SERIES EHG SL10.....	154
Enclosure Heaters	417	Silicone Rubber Heaters.....	119
Engine Preheaters	379	Square Flange Immersion Heaters.....	313
FINBAR™ Single-Ended Heaters.....	112	ST10 and ST207	531
Finned Heaters	409	STARFLOW™ Heaters	329
FIREBAR® Clamp-On Heaters	489	Syringe Heaters.....	388
FIREBAR Single/Double-Ended Heaters	93	Terms and Conditions of Sale	575
FIREROD® Cartridge Heaters.....	11	Thick Film Conduction Heaters.....	463
FIREROD Immersion Heaters	323	ULTRAMIC® Advanced Ceramic Heaters.....	459
Flexible Shapes and Geometries	117	WATROD™ and FIREBAR ANSI Flange Immersion Heaters	237
FREEFLEX® Heaters	385	WATROD and FIREBAR Circulation Heaters.....	331
Heater Selection Matrix	4	WATROD and FIREBAR Flange Immersion Heaters	307
High-Temperature FIREROD Heaters	36	WATROD and FIREBAR Screw Plug Immersion Heaters	165
High-Temperature Tubular Heaters	87	WATROD Single/Double-Ended Heaters	61
L and O Shaped Immersion Heaters	318		
LDH SERIES and D SERIES.....	391		
Line Heating	133		
MDH SERIES	405		
Metric FIREROD Cartridge Heaters	48		
Milled Groove Tubular Heaters	91		
Mineral Insulated (MI) Band Heaters	493		
Mineral Insulated (MI) Band and Strip Emitters	527		
Mineral Insulated (MI) Nozzle Heaters	507		
Mineral Insulated (MI) Strip Heaters	477		
MULTICELL™ Heaters	425		
MULTICOIL™ Tubular Heaters	89		
Over-the-Side Heaters.....	318		

Index

Part Number Index

How To Use This Index

This easy cross reference contains the alpha or numeric prefixes for all Watlow product part numbers contained in this catalog. The spaces () shown in some of the following prefixes indicate additional characters.

Note: Some part numbers include a suffix alpha character. This is the last alpha character that appears in the product part number.

Part Number	Description	Page Number
005_	STRETCH-TO-LENGTH™ line heaters	139
008_	Modular gas line heaters	135
010_	Silicone rubber wire-wound elements	125
020_	Silicone rubber wire-wound elements	125
030_	Silicone rubber wire-wound elements	125
01202_	STRETCH-TO-LENGTH line heaters	139
01203_	STRETCH-TO-LENGTH line heaters	139
01206_	Modular gas line heaters	135
01209_	Modular gas line heaters	135
01212_	Modular gas line heaters	135
0121805_	STRETCH-TO-LENGTH line heaters	139
012180C_	Modular gas line heaters	135
0122_	Modular gas line heaters	135
0123_	Modular gas line heaters	135
015_	STRETCH-TO-LENGTH line heaters	139
0160205_	STRETCH-TO-LENGTH line heaters	139
016020C_	Modular gas line heaters	135
01603_	Modular gas line heaters	135
01606_	Modular gas line heaters	135
01609_	Modular gas line heaters	135
01612_	Modular gas line heaters	135
0161805_	STRETCH-TO-LENGTH line heaters	139
016180C_	Modular gas line heaters	135
0162_	Modular gas line heaters	135
0163_	Modular gas line heaters	135
017_	Modular gas line heaters	136
018_	Modular pump line heaters	144
02002_	Silicone rubber wire-wound elements	125
02005_	Silicone rubber wire-wound elements	125
02006_	Modular pump line heaters	146
0201_	Modular pump line heaters	146
0202_	Modular pump line heaters	146
024_	Modular gas line heaters	136
0260_	Modular pump line heaters	144
03003_	Silicone rubber wire-wound elements	125
030050_	Silicone rubber wire-wound elements	125
030056_	Modular pump line heaters	145
0301_	Modular pump line heaters	145
031_	Modular gas line heaters	137
032_	Modular pump line heaters	144
034_	Modular pump line heaters	146
035_	Modular pump line heaters	146
038_	Modular gas line heaters	137
04004_	Silicone rubber wire-wound elements	126
04005_	Silicone rubber wire-wound elements	126
04009_	Modular pump line heaters	143
0401_	Modular pump line heaters	146
042_	Modular pump line heaters	144
044_	Modular pump line heaters	146

Part Number	Description	Page Number
045_	Modular pump line heaters	146
0470_	Modular pump line heaters	144
04704_	Modular gas line heaters	137
04706_	Modular gas line heaters	137
050050_	Silicone rubber wire-wound elements	126
050055_	Modular pump line heaters	144
050100A_	Modular pump line heaters	142
050100C_	Silicone rubber wire-wound elements	126
05015_	Silicone rubber wire-wound elements	126
0502_	Modular pump line heaters	142
0503_	Modular pump line heaters	142
0570_	Modular pump line heaters	144
057128A	Modular pump line heaters	144
06_	Modular pump line heaters	144
062_	Coil/Cable heaters	473
07_	Modular pump line heaters	144
08_	Modular pump line heaters	144
09_	Modular pump line heaters	145
094_	Coil/Cable heaters	473
100_	Modular pump line heaters	143
104_	Modular pump line heaters	144
11	Thermostats	537
11_	Modular pump line heaters	144
120_	Modular pump line heaters	145
125_	Coil/Cable heaters (ex: 125CH38A18X)	473
1281_	Modular pump line heaters	144
157_	Coil/Cable heaters (ex: 157CH124AX)	474
2	Thermostats	537
2A	Thermostats	537
3	Thermostats	537
3A	Thermostats	537
4	Thermostats	537
5A	Thermostats	537
62H_	Stock coil/cable heaters (ex: 62H36A5X)	473
7A	Thermostats	537
8	Thermostats	537
9	Thermostats	537
94PC_	Pre-coiled cable nozzle heaters (ex: 94PC30A1X)	510
BCN_	WATROD™ - screw plug immersion heaters	172-174
BCS_	WATROD - screw plug immersion heaters	204-205
BDN_	WATROD - screw plug immersion heaters	175-176
BDNF_	FIREBAR® - screw plug immersion heaters	177-179, 189-190, 208-210, 218-219, 228-229
BEN_	WATROD - screw plug immersion heaters	175-176, 198-199
BES_	WATROD - screw plug immersion heaters	206-207

Part Number Index

Part Number	Description	Page Number
BGN_	WATROD - screw plug immersion heaters	180-182, 191-193
BGS_	WATROD - screw plug immersion heaters	211-213
BHN_	WATROD - screw plug immersion heaters	180-182, 191-193, 220-222
BHNA_	WATROD - screw plug immersion heaters	200-201
BHNB_	WATROD - screw plug immersion heaters	236
BHS_	WATROD - screw plug immersion heaters	211-213
BHSS_	WATROD - screw plug immersion heaters	220-222
BLN_	WATROD - screw plug immersion heaters	183-185, 194-195, 223-225
BLNA_	WATROD - screw plug immersion heaters	202-203
BLNF_	FIREBAR - screw plug immersion heaters	196-197, 216-217, 226-227, 232-233
BLR_	WATROD - screw plug immersion heaters	186-188
BLS_	WATROD - screw plug immersion heaters	214-215, 230-231
C_	½ in. FIRE ROD heaters (ex: C1E-921)	11
CBDNF_	FIREBAR - screw plug circulation heaters	337, 344, 356, 365, 370
CBE	Booster heaters	378
CBEN_	WATROD - screw plug circulation heaters	337, 350
CBES_	WATROD - screw plug circulation heaters	356
CBLN_	WATROD - screw plug circulation heaters	337, 344
CBLNA_	WATROD - screw plug circulation heaters	350
CBLNF_	FIREBAR - screw plug circulation heaters	338, 344, 357, 365, 371
CBLR_	WATROD - screw plug circulation heaters	342
CBLS_	WATROD - screw plug circulation heaters	370
CER_	ULTRAMIC® heaters (ex: CER-1-01-00002)	462
CFBLKT_	Ceramic fiber insulation blanket	442
CFMN_	WATROD - ANSI flange circulation heaters	338, 345, 366
CFMNA_	WATROD - ANSI flange circulation heaters	351
CFMS_	WATROD - ANSI flange circulation heaters	358, 371
CFNN_	WATROD - ANSI flange circulation heaters	340, 346, 367
CFNNA_	WATROD - ANSI flange circulation heaters	352-353
CFNS_	WATROD - ANSI flange circulation heaters	359-360, 372
CFON_	WATROD - ANSI flange circulation heaters	339, 345, 366
CFONA_	WATROD - ANSI flange circulation heaters	352
CFONF_	FIREBAR - ANSI flange circulation heaters	346, 359, 366, 372
CFOR_	WATROD - ANSI flange circulation heaters	342
CFOS_	WATROD - ANSI flange circulation heaters	358, 372
CFPN_	WATROD - ANSI flange circulation heaters	340-341, 347, 367
CFPNA_	WATROD - ANSI flange circulation heaters	353-354
CFPNF_	FIREBAR - ANSI flange circulation heaters	348, 361, 362, 368, 373
CFPR_	WATROD - ANSI flange circulation heaters	343

Part Number	Description	Page Number
CFPS_	WATROD - ANSI flange circulation heaters	360-361, 373
CFRN_	WATROD - ANSI flange circulation heaters	341, 348, 368
CFRNA_	WATROD - ANSI flange circulation heaters	354
CFRS_	WATROD - ANSI flange circulation heaters	362, 363, 374
CFSN_	WATROD - ANSI flange circulation heaters	349, 369
CFSNA_	WATROD - ANSI flange circulation heaters	355
CFSS_	WATROD - ANSI flange circulation heaters	364, 374
CFTN_	WATROD - ANSI flange circulation heaters	349, 369
CFTNA_	WATROD - ANSI flange circulation heaters	355
CFTS_	WATROD - ANSI flange circulation heaters	364, 375
CFWN_	WATROD - ANSI flange circulation heaters	349, 369
CFWNA_	WATROD - ANSI flange circulation heaters	355
CFWS_	WATROD - ANSI flange circulation heaters	364, 375
CH_	STARFLOW™ circulation heaters (ex: CHJTJT3000JXA)	330
CPBP_	WATROD - engine preheaters	380-381
CPCP_	WATROD - engine preheaters	381
D_	WATROD - duct heaters	399-403
E_	¼ in. FIRE ROD® heaters (ex: E3A-12003)	11
EN_	WATROD - enclosure heaters	418
F01_	Silicone rubber etched foil elements	129
F02_	Silicone rubber etched foil elements	129
F03_	Silicone rubber etched foil elements	129
F04_	Silicone rubber etched foil elements	129
F05_	Silicone rubber etched foil elements	129
F06_	Silicone rubber etched foil elements	129
FAN_	FIREBAR heaters	109
FBN_	FIREBAR heaters	107-108
FGNFB_	FIREBAR - square flange immersion heaters	315
FHN_	WATROD - square flange immersion heaters	314
FHNFA_	FIREBAR - square flange immersion heaters	315
FHNFB_	FIREBAR - square flange immersion heaters	315
FKN_	WATROD - plate flange immersion heaters	309, 312
FKS_	WATROD - plate flange immersion heaters	311-312
FLN_	WATROD - plate flange immersion heaters	308, 310, 244, 253, 286
FMN_	WATROD - ANSI flange immersion heaters	264
FMNA_	WATROD - ANSI flange immersion heaters	274, 296
FMS_	WATROD - ANSI flange immersion heaters	246-247, 256-257, 289
FNN_	WATROD - ANSI flange immersion heaters	266-267
FNNA_	WATROD - ANSI flange immersion heaters	277-278
FNS_	WATROD - ANSI flange immersion heaters	245, 254, 287
FON_	WATROD - ANSI flange immersion heaters	265
FONA_	WATROD - ANSI flange immersion heaters	255, 276, 288, 298
FONF_	FIREBAR - ANSI flange immersion heaters	250
FOR_	WATROD - ANSI flange immersion heaters	275, 297
FOS_	WATROD - ANSI flange immersion heaters	248-249, 258-259, 290
FPN_	WATROD - ANSI flange immersion heaters	

Index

Part Number Index

Part Number	Description	Page Number
FPNA_	WATROD - ANSI flange immersion heaters	268-269
FPNF_	FIREBAR - ANSI flange immersion heaters	260, 281, 291, 301
FPR_	WATROD - ANSI flange immersion heaters	251-252
FPS_	WATROD - ANSI flange immersion heaters	279-280, 300
FRN_	WATROD - ANSI flange immersion heaters	261, 292
FRNA_	WATROD - ANSI flange immersion heaters	270
FRS_	WATROD - ANSI flange immersion heaters	282, 302
FSA_	FIREBAR heaters	111
FSN_	WATROD - ANSI flange immersion heaters	262, 293
FSNA_	WATROD - ANSI flange immersion heaters	271
FSP_	FIREBAR heaters	110, 114
FSS_	WATROD - ANSI flange immersion heaters	283, 303
FTN_	WATROD - ANSI flange immersion heaters	262, 294
FTNA_	WATROD - ANSI flange immersion heaters	272
FTS_	WATROD - ANSI flange immersion heaters	284, 304
FWN_	WATROD - ANSI flange immersion heaters	263, 295
FWNA_	WATROD - ANSI flange immersion heaters	273
FWS_	WATROD - ANSI flange immersion heaters	285, 305
G_	3/8 in. FIREROD heaters (ex: G2N-4950)	11
J_	1/2 in. FIREROD heaters (ex: J10J-10145)	11
K0_	Polyimide heaters	150-151
L_	3/8 in. FIREROD heaters (ex: L12A-6489)	11
L0_	Silicone rubber wire-wound elements	132
L10_	Silicone rubber wire-wound elements	132
L12_	Silicone rubber wire-wound elements	132
L16_	Silicone rubber wire-wound elements	132
L18_	Silicone rubber wire-wound elements	132
L20_	Silicone rubber wire-wound elements	132
LDH_	WATROD - duct heaters	397-398
M6_	WATROD - duct replacement modules	408
MB_	MI band heaters (ex: MB2A1JN3)	503
MBLK_	Duct blank module cover	408
MDH_	WATROD - duct heaters	407
ME_	Expandable MI band heaters	504
MS_	MI strip heaters (ex: MS1J8AS1)	480
MTC_	Duct thermocouple replacement kits	408
N_	3/8 in. FIREROD heaters (ex: N8E-3912)	11
OLN_	WATROD - L-shaped immersion heaters	321
ORN_	WATROD - O-shaped immersion heaters	321
P_	RAYMAX 1120 panel heaters (ex: P1224AX062)	517
PWS_	Thermowells	539
RAN_	WATROD heaters	83
RBN_	WATROD heaters	83
RBR_	WATROD heaters	85
RBS_	WATROD heaters	82
RCN_	WATROD heaters	82, 84
RDN_	WATROD heaters	84-85
RGN_	WATROD heaters	82, 85
RGNA_	WATROD heaters	82
RGS_	WATROD heaters	83
RGR_	WATROD heaters	85
RGSS_	WATROD heaters	82
SGA1J_	375 strip heaters	413-414, 486

Part Number	Description	Page Number
ST_	1 in. FIREROD heaters (ex: ST20A-1234)	11
TFA_	Thick film - conduction heaters	466
T_	Pre-set thermostats	531
VC_	Ceramic fiber heaters	447
VF_S	Ceramic fiber heaters	449
VF_T	Ceramic fiber heaters	452
VP504_F	RAYMAX 1220 heaters	520
VP504_T	RAYMAX 2030 heaters	520
VS_S	Ceramic fiber heaters	450-451
VS_T	Ceramic fiber heaters	453-454

Terms and Conditions of Sale

Quantity and Weights:

Products purchased and sold hereunder shall be those for which buyer submits an order which is accepted by Watlow®. Watlow's quantities shall govern unless proved to be in error. On orders for products carried in stock, Watlow will deliver the ordered quantity specified. However, in the manufacture of products it is agreed that Watlow will be allowed production losses. Watlow shall have the right to manufacture, deliver and invoice for partial deliveries of products as stated below:

Quantity Ordered	Delivery Variation
1-4	No variation
5-24	± 1 unit
25-74	± 2 units
75-99	± 3 units
100+	± 3 percent
SERV-RITE® Insulated Wire and Cable	± 10 percent
XACTPAK® Sheathed Wire	± 10 percent

Note: Watlow will deliver exact quantities on products with a net price of \$100.00 or more. If buyer expressly requests no variation in delivered quantity of products with a total net price under \$100.00, a ten percent (10%) surcharge will be added to the net billing on the invoice for such order.

Delivery:

FCA (Incoterms® 2010) - Watlow's Pickup Plant. Risk of loss and title transfer pass to buyer on delivery at the FCA point. Watlow shall prepay freight, assure the shipment and select the means of transportation unless buyer provides specific written instructions otherwise with buyer's order. Watlow shall not be bound to tender delivery of any quantities for which buyer has not given shipping instructions. Watlow shall be entitled to designate from time to time the locations from which buyer may receive or pick up products.

Payment Terms:

Terms are net 30 days from date of invoice with approved credit. Prices and discounts are subject to change without notice. All quotations are valid for 30 days unless otherwise stated.

Restocking Charges:

Stock heaters, controllers, sensors and accessories which have not been used or modified may be returned to the relevant Watlow plant for a twenty percent (20%) restocking charge. For Watlow's Hannibal plant products only, modified-stock products may be returned if not permanently modified, for a minimum thirty percent (30%) restocking charge. All stock and modified-stock products require Watlow's prior authorization to be returned and must be returned within one hundred twenty (120) days from the date of delivery. Controllers may not be returned if the packaging seal is broken. Non-stock (custom) heaters, controls, sensors and accessories are not returnable.

Price Revision:

Prices are subject to change without advance notice. If Watlow desires to revise the discounts, prices, points of delivery, service allowances or terms of payment but is restricted to any extent against so doing by reason of any governmental request, law, regulation, order or action, or if the discounts, prices, points of delivery, service allowances or terms of payment then in effect are altered by reason of governmental request, law, regulation, order or action, Watlow shall have the right (i) to terminate this order by notice to buyer, (ii) to suspend deliveries

for the duration of such restriction or alteration or (iii) to have applied to this order (as of the effective date of such restriction or alteration) any discounts, prices, points of delivery, service allowances or terms of payment governmentally acceptable. Any delivery suspended under this section may be canceled without liability.

Return Policy:

Prior approval must be obtained from the relevant Watlow plant to return any product. Watlow will assign a return authorization number and record the reason for the return. Watlow will examine returned product to determine the actual cause, if any, leading to buyer's return. If product has a manufacturing defect, Watlow, in its sole discretion, may issue a credit for the returned product or repair or replace with like product. If returned product is not subject to Watlow's warranty, buyer will be notified of the estimated cost of repair, if possible. Thereafter, buyer must advise Watlow whether or not buyer chooses to have product repaired at buyer's expense.

Order Changes:

Buyer must notify Watlow in writing of requested changes in the quantity, drawings, designs or specifications for products which are ordered but not yet in the process of manufacture. After receipt of such notice, Watlow will inform buyer of any adjustments to be made in price, delivery schedules, etc. resulting from buyer's requested changes prior to incorporating requested changes into manufactured products. Controller products require written notice of requested changes not less than sixty (60) days prior to last scheduled shipping date.

Freight and Taxes:

Prices do not include prepaid freight, federal, state or local taxes. Any increase in freight rates paid by Watlow on deliveries covered by this order and hereafter becoming effective and any tax or governmental charge or increase in same (excluding any franchise or income tax or other tax or charge based on income) (i) increasing the cost to Watlow of producing, selling or delivering products or of procuring products used therein or, (ii) payable by Watlow because of the production, sale or delivery of products, such as Sales Tax, Use Tax, Retailer's Occupational Tax, Gross Receipts Tax, Value Added Tax (VAT), and Ways Fees may, at Watlow's option, be added to the prices herein specified and be added to invoices.

Engineering Charge:

On complex products, systems or controller software modifications, an engineering charge shall be applied or included in the price of prototypes. This charge is not subject to discounts.

Tooling:

All tooling and fixtures are the property of Watlow. Watlow will accept buyer's special tooling if sent freight prepaid. Watlow will maintain this tooling, exercising reasonable care, in order to produce buyer's products. Permanent molds for aluminum cast-in and polymer products shall be the property and responsibility of buyer.

Cancellation Charges:

There will be no cancellation charge for non-modified stock products. Non-stock and modified-stock products may be subject to a cancellation charge to be determined by Watlow depending upon the portion of product completed at the time of such cancellation.

Terms and Conditions of Sale

Excuse of Performance:

(A) Deliveries may be suspended by either party in the event of: Act of God, war, riot, fire, explosion, accident, flood, sabotage; lack of adequate fuel, power, raw materials, labor, containers or transportation facilities; compliance with governmental requirements (as hereinafter defined); breakage or failure of machinery or apparatus; national defense requirements or any other event, whether or not of the class or kind enumerated herein, beyond the reasonable control of such party; or in the event of labor trouble, strike, lockout or injunction (provided that neither party shall be required to settle a labor dispute against its own best judgment); which event makes impracticable the manufacture, transportation, sale, purchase, acceptance, use or resale of products or a material upon which the manufacture of products is dependent. (B) If Watlow determines that its ability to supply the total demand for products, or obtain any or a sufficient quantity of any material used directly or indirectly in the manufacture of products, is hindered, limited or made impracticable, Watlow may allocate its available supply of products or such material (without obligation to acquire other supplies of any such products or material) among itself and its purchasers on such basis as Watlow determines to be equitable without liability for any failure of performance which may result therefrom. (C) Deliveries suspended or not made by reason of this Section shall be canceled without liability, but this agreement and/or order shall otherwise remain unaffected.

Prototypes:

If buyer orders and/or Watlow delivers a product designated as a "prototype", no guarantees, warranties or representations as to fitness for a particular purpose or merchantability are made with respect to such prototype. Buyer shall have the duty and sole responsibility to test a prototype prior to acceptance and/or incorporation into end-use applications. Further, a production product based on a prototype design may differ in assembly methods and materials from the prototype. Buyer, therefore, shall have the duty and sole responsibility for testing and acceptance of production products which are based on prototype designs.

Warranty and Limitation of Liability:

Watlow warrants its products against defects in material and workmanship for at least one (1) year (three (3) years on some controls) from the date of delivery, provided such product is properly applied, used and maintained. Refer to the express written warranty time period for each individual product or contact the relevant Watlow plant for such warranty time period information. Watlow does not warrant any product against damage from corrosion, contamination, misapplication, improper specification or wear and tear and operational conditions beyond Watlow's control. The terms of this warranty are the exclusive terms available to buyer and to any other person or entity to whom products are transferred during the period of this warranty. No person has authority to bind Watlow to a representation or warranty other than this express warranty. Watlow shall not be liable for incidental or consequential damages resulting from the use of products whether a claim for such damages is based upon warranty, contract, negligence or other cause of action. Should any product fail while subject to this warranty, such product shall be repaired or a substitute product shall be provided, at Watlow's option, at no charge to buyer or to any other person or entity to whom product is transferred during the period of this warranty.

Watlow must be notified of the alleged failure of product within thirty (30) days of such event and advanced authorization for repair or replacement must be obtained in writing from Watlow. **THIS WARRANTY IS MADE EXPRESSLY IN LIEU OF ALL OTHER WARRANTIES, EXPRESS OR IMPLIED, INCLUDING WITHOUT LIMITATION, ANY WARRANTY ARISING FROM A COURSE OF DEALING OR USAGE OF TRADE, AND ALL OTHER SUCH WARRANTIES ARE SPECIFICALLY EXCLUDED. THE CORRECTION OF ANY DEFECT IN OR FAILURE OF PRODUCTS BY REPAIR OR REPLACEMENT TO THE EXTENT SET FORTH ABOVE, SHALL BE WATLOW'S LIMIT OF LIABILITY AND THE EXCLUSIVE REMEDY FOR ANY AND ALL LOSSES, DELAYS OR DAMAGES RESULTING FROM THE PURCHASE OR USE OF THE PRODUCTS. IN NO EVENT SHALL WATLOW BE LIABLE FOR SPECIAL, INDIRECT, INCIDENTAL OR CONSEQUENTIAL DAMAGES. WATLOW SHALL NOT BE LIABLE FOR, AND BUYER AND ANY OTHER PERSON OR ENTITY TO WHOM PRODUCTS ARE TRANSFERRED DURING THE PERIOD OF THIS WARRANTY ASSUMES RESPONSIBILITY FOR, ALL PERSONAL INJURY AND PROPERTY DAMAGE RESULTING FROM OR RELATED TO THE HANDLING, POSSESSION OR USE OF PRODUCTS AND PRODUCTS MANUFACTURED AND SOLD BY WATLOW HEREUNDER.**

Miscellaneous:

THE VALIDITY, INTERPRETATION AND PERFORMANCE OF THIS AGREEMENT AND/OR ORDER AND ANY DISPUTE CONNECTED HERewith SHALL BE GOVERNED AND CONSTRUED IN ACCORDANCE WITH THE LAWS OF THE STATE OF MISSOURI. These Terms and Conditions constitute the full understanding of the parties, a complete allocation of risks between them and a complete and exclusive statement of the terms and conditions of their agreement and/or order relating to the subject matter herein. Except as otherwise expressly provided herein, no conditions, usage of trade, course of dealing or performance, understanding or agreement and/or order purporting to modify, vary, explain or supplement the terms or conditions of this agreement and/or order shall be binding unless hereafter made in writing and signed by the party to be bound, and no modification shall be effected by the acknowledgment or acceptance of any purchase order or shipping instruction forms containing terms or conditions at variance with or in addition to those set forth herein. No waiver by either party with respect to any breach or default or of any right or remedy and no course of dealing or performance shall be deemed to constitute a continuing waiver of any other breach or default or of any other right or remedy, unless such waiver be expressed in writing signed by the party to be bound. If any term, condition or provision of this agreement and/or order or the application thereof is judicially or otherwise determined to be invalid or unenforceable, or if the parties mutually agree in writing to any revision of this agreement and/or order, the remainder of this agreement and/or order and the application thereof shall not be affected, and this agreement and/or order shall otherwise remain in full force and effect.

Rev. 11/07/11