

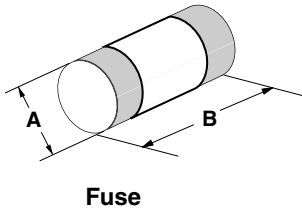
DIN RAIL MOUNT SEMICONDUCTOR FUSING

Protection for Your Solid State Power Controller

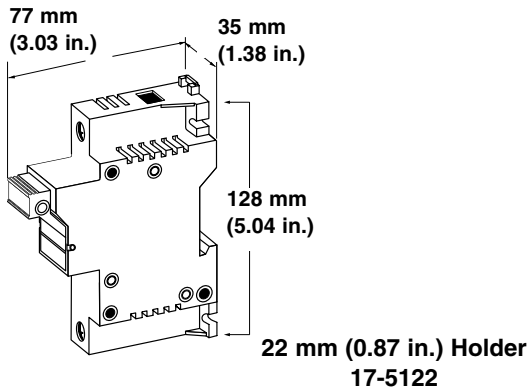
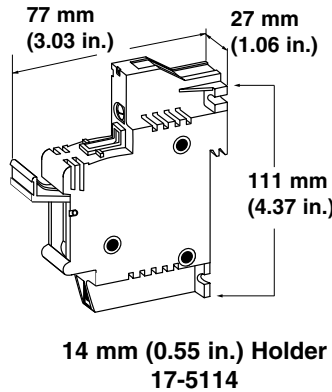
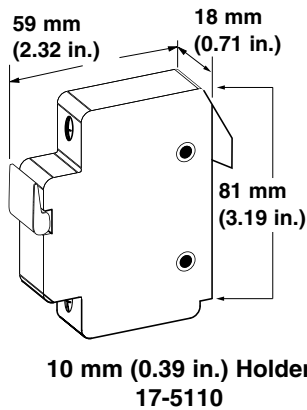
For protection of solid state power controllers, such as Watlow's DIN-A-MITE®, a semiconductor fuse is recommended to protect the power controller and ensure long life. To safeguard your power controllers, Watlow offers DIN rail mount fuse holders and semiconductor fuses in various sizes to accommodate the entire DIN-A-MITE SCR power controller family and solid state relay products. These fuse holders feature lockout/tagout and open fuse indication.



Fuse and Fuse Holders



Amp Rating	I ² T (A ² Sec)	Fuse				Fuse Holder	
		Part No.	Dim. A mm	Dim. B mm	Weight gm	Part No.	Weight gm
12	120	17-8012	10	38.1	9.2	17-5110	53.8
20	260	17-8020	10	38.1	9.2	17-5110	53.8
25	390	17-8025	10	38.1	9.2	17-5110	53.8
32	150	17-8030	14	50.8	21.0	17-5114	119.4
40	980	17-8040	14	50.8	21.0	17-5114	119.4
50	1,800	17-8050	14	50.8	21.0	17-5114	119.4
63	2,700	17-8063	22	58.0	53.1	17-5122	229.4
80	5,100	17-8080	22	58.0	53.4	17-5122	229.4
100	10,000	17-8100	22	58.0	53.4	17-5122	229.4



Note: All fuses should be rated at 125 percent of connected load or the next standard fuse size above 125 percent. Due to special cases such as cooler ambient or lower amperage loads, the connected load should be the determining factor. The semiconductor fuse I²t rating must not exceed the SCR I²t rating. Semiconductor fuses are classified as supplemental protection for semiconductor. They are not approved for branch circuit protection.



1241 Bundy Boulevard
Winona, Minnesota 55987-5580 USA
Phone: 507-454-5300
Fax: 507-452-4507
Internet: www.watlow.com
e-mail: info@watlow.com

WIN-FUS-0703

ISO 9001

